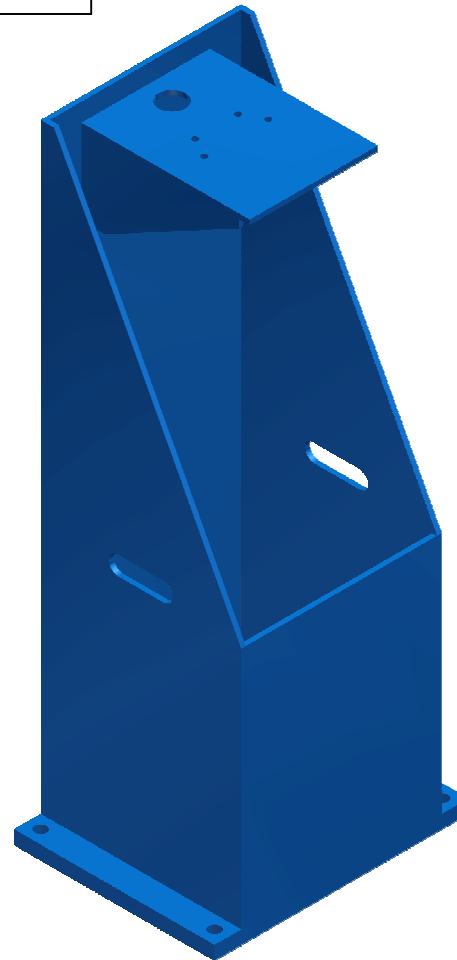
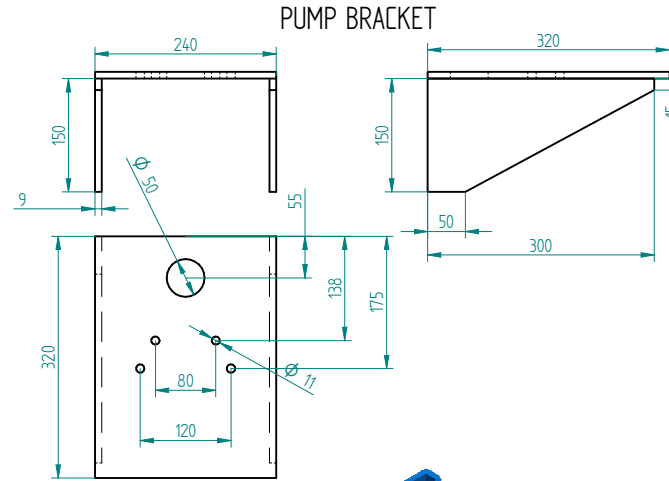


DETAIL X



NOTES

BUNDED PUMP STAND TO BE CREATED USING 9MM PP
 25MM PP BASE PLATE TO BE INCORPORATED INTO THE DESIGN

UNLESS OTHERWISE SPECIFIED
 DIMENSIONS ARE IN MILLIMETERS
 ANGLES ±XX°
 2 PL ±XXX 3 PL ±XXXX

03	DESIGN REDEVELOPMENT			29/11/13
REV	DESCRIPTION	CHK	APPD	DATE



LRJP			29/11/13
DRAWN	CHECKED	APPROVED	DATE

TITLE
 UK0399 PP BUNDED PUMP STAND FOR 30 LITRE DRUM

SIZE A3	DWG NO UK0399-DFA-001-01-003	REV 03
------------	---------------------------------	-----------

FILE NAME UK0399 PP BUNDED PUMP STAND FOR 30 LITRE DRUM

SCALE: 1:5	WEIGHT:	SHEET 1 OF 1
------------	---------	--------------