

Break tank 48l retrofit



Content

- 1. Introduction 3
- 2. Instructions 4
 - 1. Waterline 4
 - 2. Electric connection 4
- 3. Annex 7
 - Parts list 10

1. Introduction

This instruction describes the retrofit of the HPC 520 with a 48l break tank.

Scope of supply:

Water tank 48l, tank support, 2x metal sheet for tank support, floater **(f)**, level switch **(i)**, fixing elements **(k)**

Before starting the works the machine to be disconnected from water and power sources.

The retrofit to be carried out by qualified personnel only. Electric safety regulations to be observed.

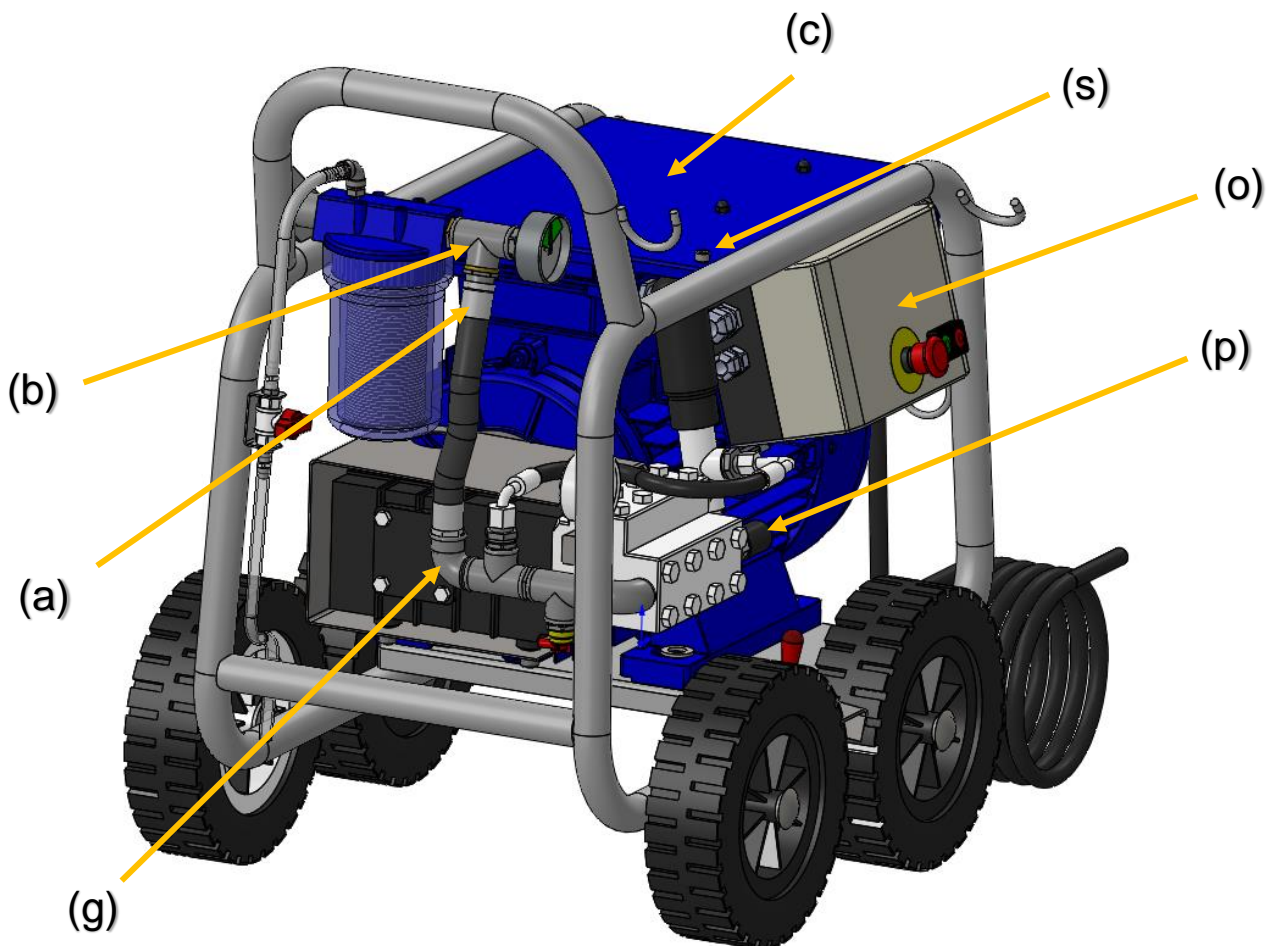


Fig. 1 – HPC-Extreme 520 Standard

2. Instructions

1. Waterline

1. Disconnect water hose **(a)** by loosening hand nut, so that the other end of the hose can be removed.
2. Remove the tee **(b)** and reinstall it after turning it by 180°.
3. To install the tank support 2 holes to be drilled into the front panel **(c)** (see Fig. 4).
4. The tank support **(d)** can now be mounted onto the front sheet **(c)** by means of the fixing elements **(k)** (see Fig. 5). The allen screws M8 x 16 INOX **(s)**, which are currently fastened on the front sheet, are too short and have to be replaced by the M8x20 screws. Please use the already existing M8 washers, nuts and lock washers from the front sheet fixing elements. There are 2 included in the scope of supply
5. Reconnect the hoses **(e)** and **(j)**.
Connect tee **(b)** with hose **(e)** at the floater **(f)** by means of angular sleeve **(l)**.
The water outlet of the tank is the connecting point to the hp pump and has to be connected with hose **(j)** to elbow **(g)**.

Hose kit			Fixing elements (k)		
Hose (e)	Length 0,325m	P/N 10702105	Bolt M8x20	4x	P/N 10600610
Hose (j)	Length 0,240m	P/N 10702105	Washer A 8mm	2x	P/N 10006046
			Lock washer A 8mm	2x	P/N 10006319
			Nut M8	2x	P/N 10217188

2. Electric connection

1. Open switch box **(o)** and disconnect the cable of the pressure switch at terminal points 1 and 2 (see Fig. 6).
2. Remove protection cap of the pressure switch **(p)**, remove cable completely.
3. Remove pressure switch and close the bore hole with plug **(q)**.
4. The cable of the level switch **(i)** to be connected to terminal points 1 and 2 with cable blue and black (brown cable not in use, see Fig. 7).

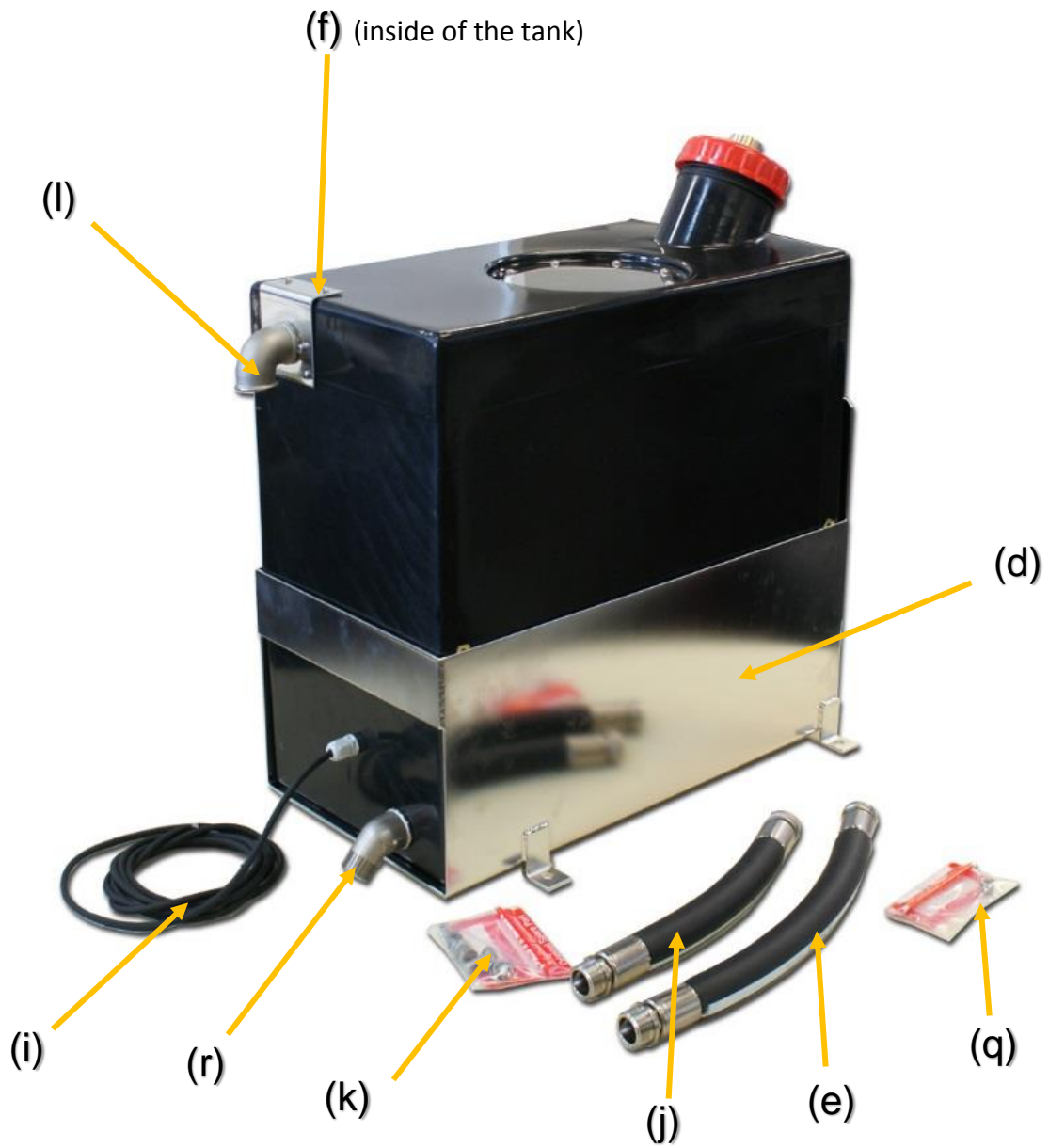


Fig. 2 – Retrofit break tank

After complete assembly looks like this.



Abbildung 3 – HPC Extreme 520 with break tank

3. Annex

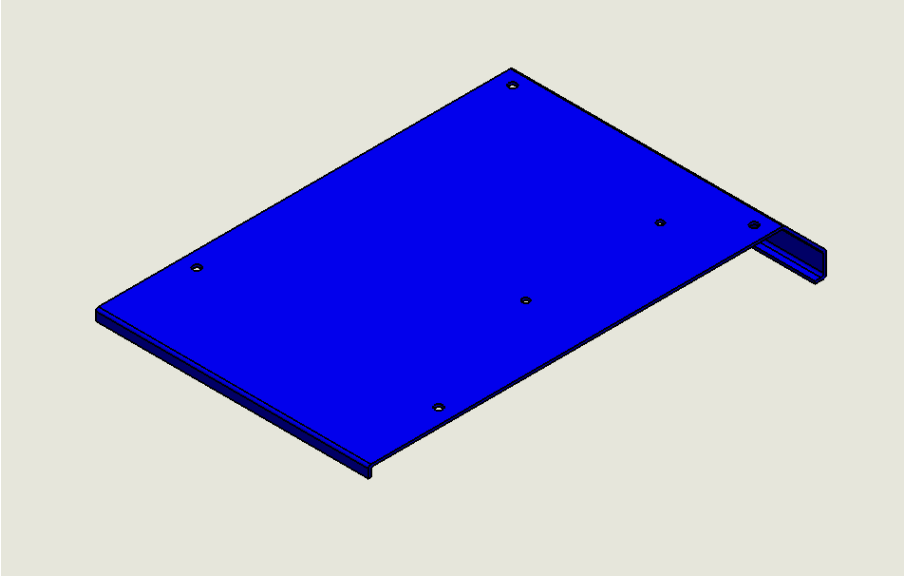


Fig. 4 - Isometric view

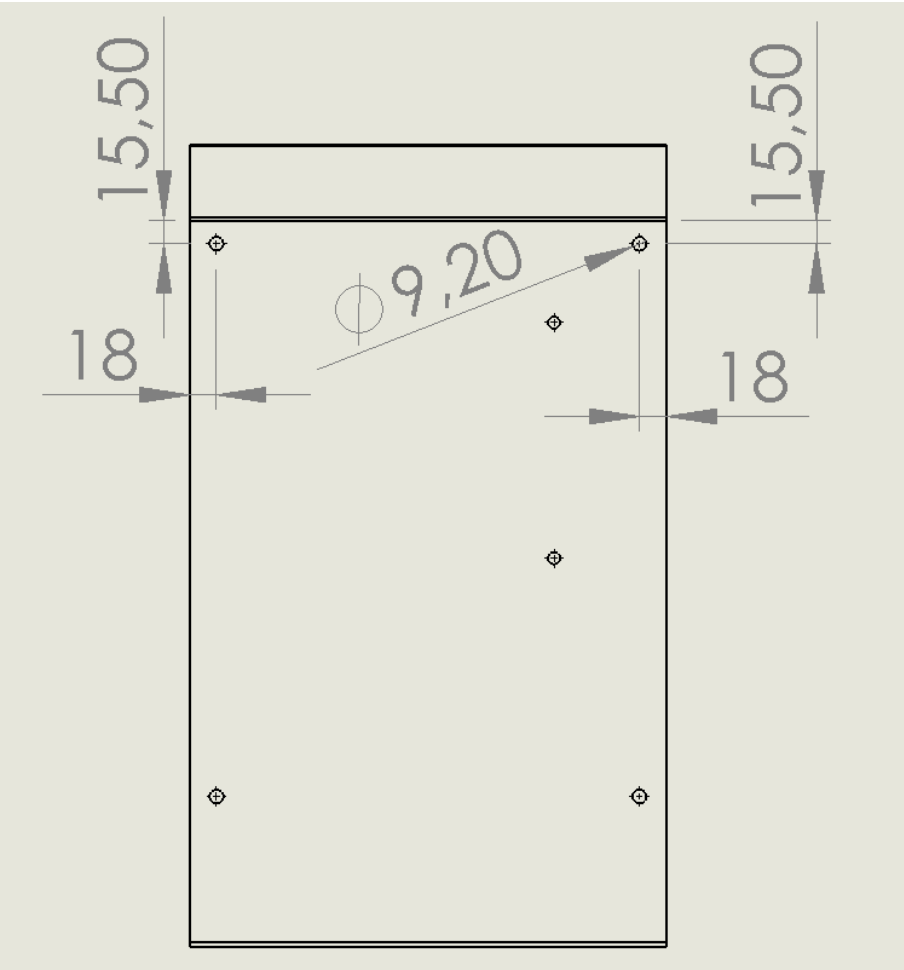


Fig. 5 – Front Panel with 2 more holes

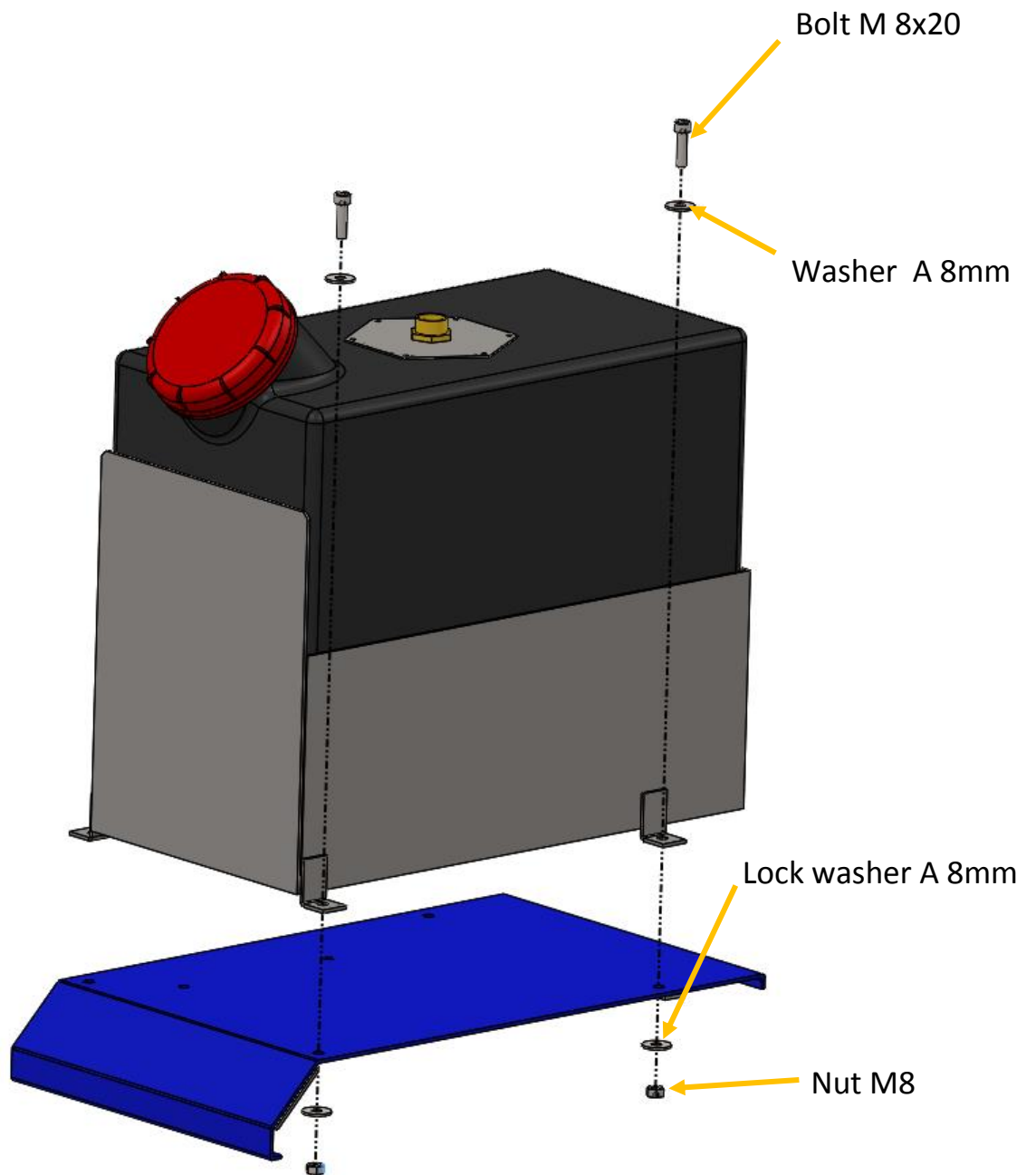


Fig. 6 – Explosion view front panel – fixing elements

Fixing elements (k)		
Bolt M8x20	4x	P/N 10600610
Washer A 8mm	2x	P/N 10006046
Lock washer A 8mm	2x	P/N 10006319
Nut M8	2x	P/N 10217188

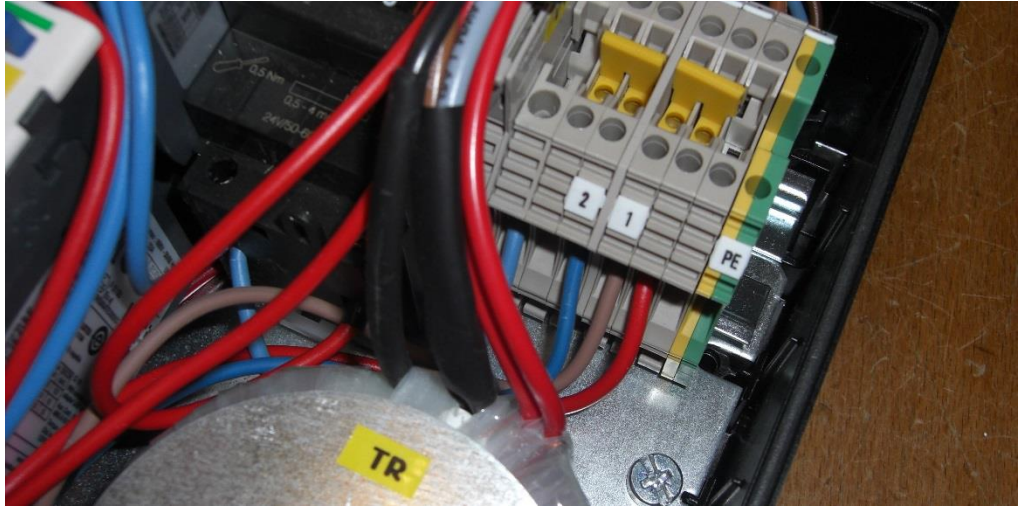


Fig 7 - Connections pressure switch in switch box



Fig 8 - Level switch

Parts list

P/N	Designation	Qty (pcs)
10000442	Tank 48l cpl. with lid	1
15101487	Tank support 48 Liter INOX	1
10408106	Level switch	1
15110261	Cable inlet M12 x 1,5 long	1
15101049	Nut M12 x 1,5 f. cable inlet	1
15100624	Elbow 45° 3/4" M/F Nickel coated.	1
15100619	Angled sleeve 3/4" FF Nickel coated	1
10702105	Water inlet hose 3/4"	0,325
10702105	Water inlet hose 3/4"	0,240
15100894	Hose connector	2
15100611	Crimping 30mm Nickel coated	4
15100596	Hose nipple 3/4"M x 19mm Nickel coated	2
60000823	Tank lid INOX 48 L. Tank	1
10101070	Floater valve servo-assisted 3/4"	1
10003026	Ventilation	1
10003076	Nut 3/4" INOX	2
10006037	Hex-bolt M8 x 20 INOX	4
10006046	Washer A 8mm INOX	2
10006319	Lock washer 8,4mm INOX	2
10217188	Hex.nut M8 INOX	2
15100085	Lens head screw 4,2 x 13 INOX	12
15100603	Plug 1/4" Nickel coated	1
60000841	Support plate INOX	1
15100326	Allen Screw M4 x 16 INOX	2
10006042	Washer A 4mm INOX	2
15100615	Teap Extension 3/4" x 25 Nickel coated	1

Required tools

Pipe wrench

Jaw wrench 12-13 / 20 / 22 / 27

Electric drill, borer \varnothing 8,2 and \varnothing 3,2 (to rebore)

Liquid Teflon

Screw driver cross Size 2

Screw driver slit Size 1