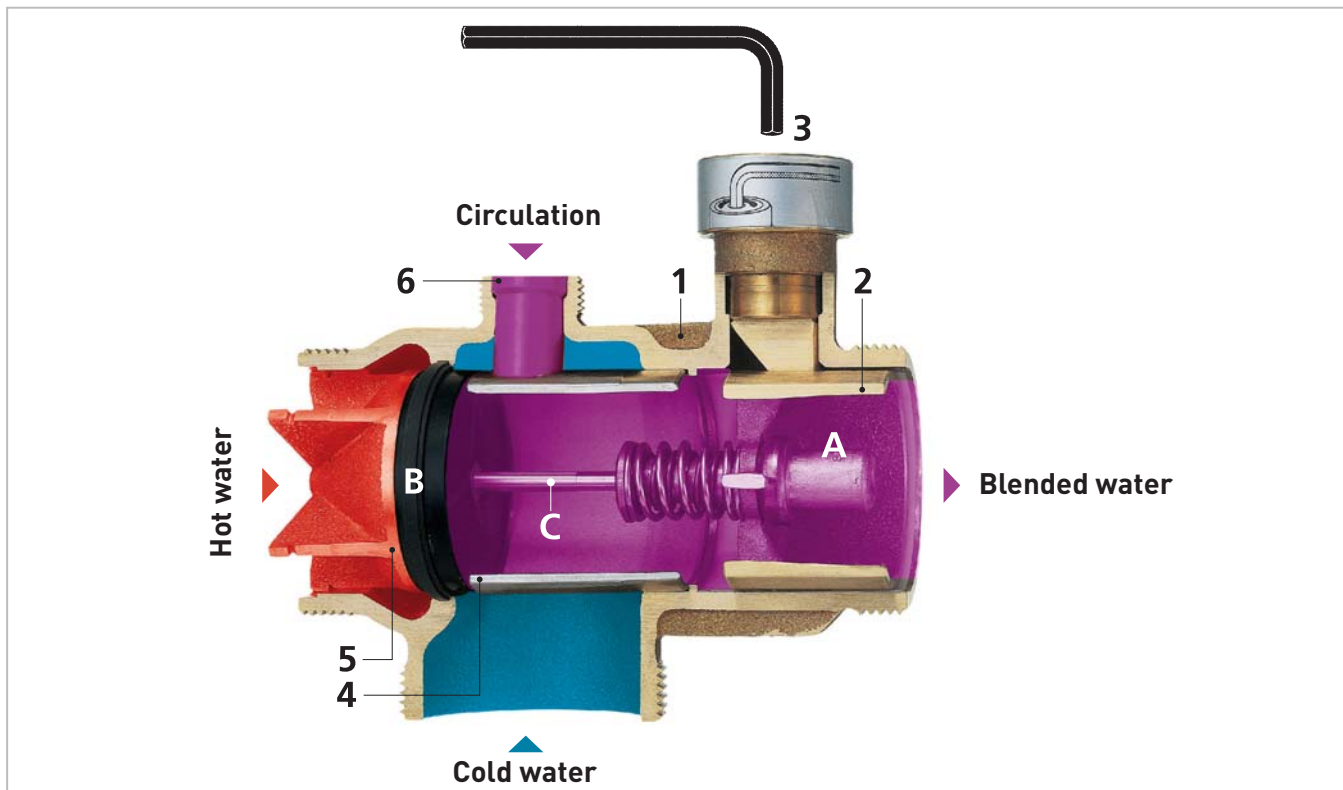


JRG Valves

JRGUMAT
Thermoblending valve

Function



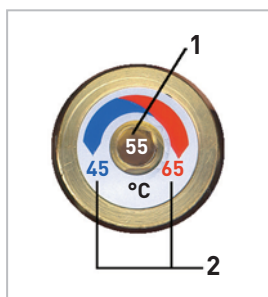
The JRGUMAT thermoblending valve is an open architecture, proportionally-regulating three-way mixer. The blended water temperature is transferred to the thermostat **A**. This compares it with the set-point value. If the blended water temperature does not correspond to the set-point value, a volume change takes place in the thermostat **A**. This causes the valve slide **B** to be regulated through the pin **C**, until the blended water temperature corresponds to the set-point value. The valve can mix the water used only as it is drawn. Functions such as back flow prevention, blocking or adjustment of the circulation flow volume cannot be performed by the JRGUMAT thermoblending valve.

The model to be used will depend on the installation diagrams.

- A** Thermostat
- B** Valve slide, gunmetal, coated
- C** Pin, chromium-nickel steel
- 1** Body, gunmetal
- 2** Regulating gate, gunmetal
- 3** Adjusting screw, brass
- 4** Cold water seat, stainless steel
- 5** Hot water seat, gunmetal
- 6** Circulation sleeve, plastic

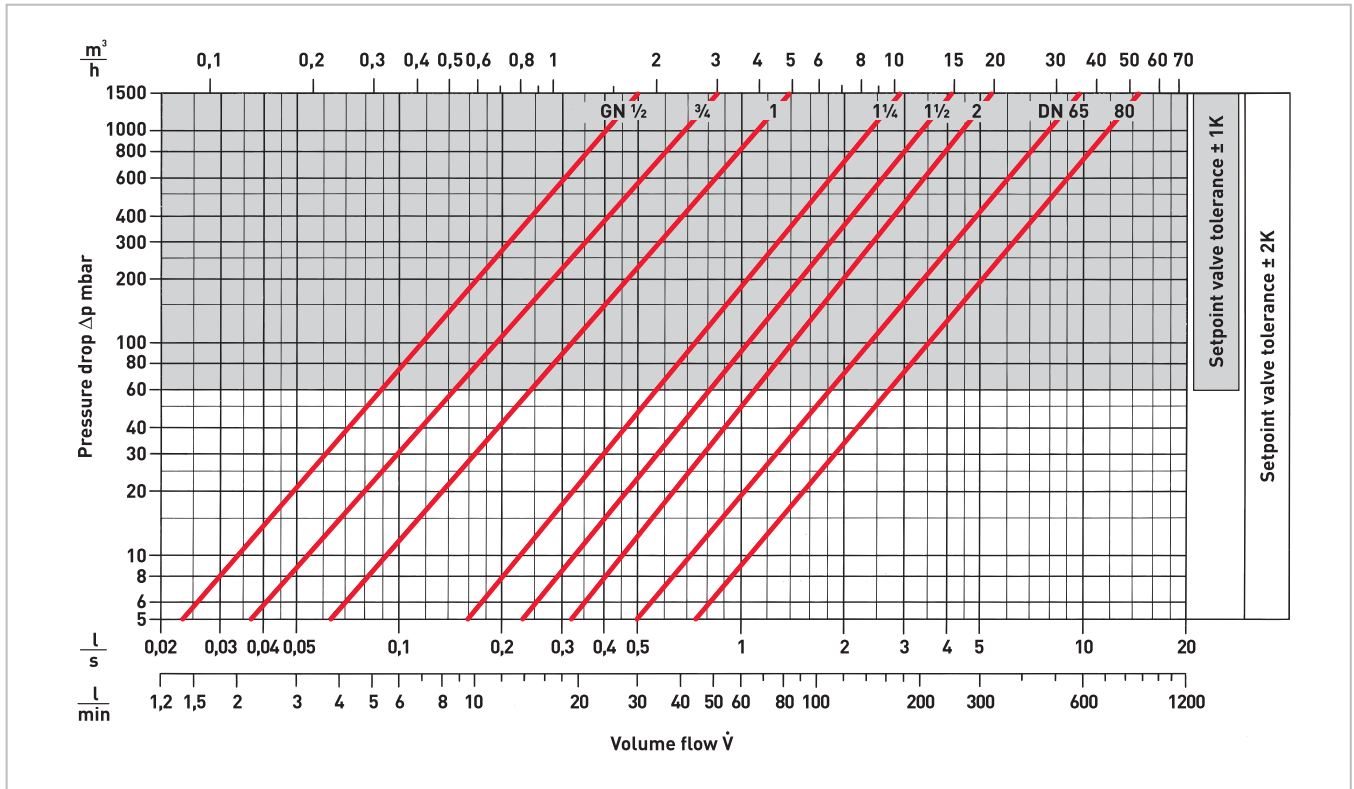
The hot water temperature

In order to be able to ensure the perfect operation of the JRGUMAT thermoblending valve, the hot water temperature must be at least 5 K over the desired blended water temperature. Likewise the same hydraulic conditions must apply to the inflowing hot and cold water. This is ensured by the installation of the mixer in the water heater circuit in accordance with our installation diagram.



1	Standard factory-set temperature °C	2	Blended adjustment ranges °C			Change in the blended water temperature with 1 full key turn		
			GN 1/2-1 DN 15-25	GN 1 1/4-2 DN 32-50	DN 65/80			
	25		20-30					
	40		30-45					
	48		36-53		ca. 6 K	ca. 4 K		ca. 2 K
	55		45-65					

Nomogramme

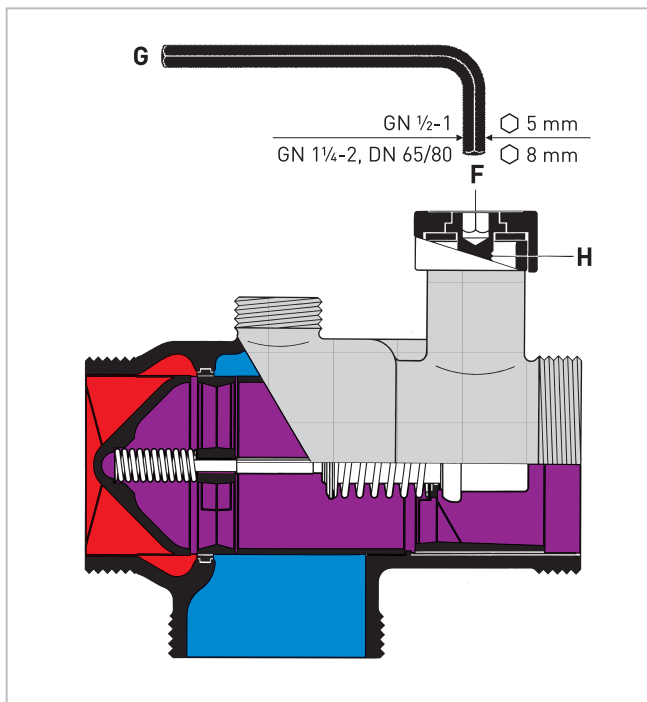


Nomogramme for JRGUMAT thermoblending valves 3400, 3410 and 3412

The pipe dimension determined when calculating the pipe dimension is also considered the nominal DN size for the JRGUMAT thermoblending valve. The relations between volume flow, nominal size and pressure loss can be read from the nomogramme. Optimal operating conditions prevail within the hatched range.

Noise characteristics

Dimension	GN 1/2	DN 15	GN 3/4-1 1/4	DN 20-32
Valve group	I		II	



Factory settings/Resetting

JRGUMAT thermoblending valves are equipped with one of the standard preset temperature thermostats and are adjusted to a standard temperature in the factory. This is apparent from the article number, it appears in the centre of the temperature label **F** and is indicated on the packaging. The standard temperature may be changed only within the limits of the corresponding blended water adjustment range. This is done as follows: The Allen key **G** is used to pierce the middle of the temperature label **F**. By turning the screw **H** clockwise the blended water temperature is increased and by turning it anticlockwise it is decreased. The volume flow must at all times lie in the hatched field "Set-point value tolerance $\pm 1K$ ", (see nomogramme). If the mixer is built into a circuit network, the circulation is to be adjusted separately with "zero-drawing". For this purpose, the total volume flow of the pump (100%) is first set. Then set the volume flows leading to the mixer and the portion for heat-loss coverage on the storage unit. Well-regulated circulation holds the desired blended water temperature constant, even if no blended water is drawn.

Field of application

JRGUMAT thermobleshooting valves, which have proven their worth a thousandfold, are thermostatically regulating blending valves which are used wherever a constant and highly accurate combined blended water temperature is desired and required.

For example as central mixer in private houses, blocks of flats, hospitals, old-age and nursing homes, hotels, barracks, shower-rooms of sports facilities, industrial and commercial buildings.

JRGUMAT thermobleshooting valves also serve as over-heating protection in alternative energy plants such as solar units, wood-fired heaters, wood-chip heaters, pellet furnaces, etc. Owing to the high control accuracy of JRGUMAT thermobleshooting valves, they are also used for special applications, such as temperature maintainers used as regulators.

DVGW permission

There is also absolutely no reason why JRGUMAT thermobleshooting valves should not also be installed without the DIN DVGW test mark.

Advantages of JRGUMAT thermobleshooting valve

- **Supplies blended water of constant temperature**
- **High control accuracy**
- **Operates without any outside energy**
- **Protects against scalding**
- **Saves water and energy**
- **Enhances comfort and safety in hot water installations**



Installation instructions / Maintenance / Transport packaging

Installation instructions

The JRGUMAT thermoblending valve works in any position. The installation instructions for water-heater circuits as well as the local standards must be observed. Only the back flow prevention valve prescribed in the diagrams may be inserted. As stop valves, only low-pressure loss valves, such as slanted-seat valves, slide valves and ball valves may be installed. The pipelines are to be thoroughly rinsed before installing the JRGUMAT thermoblending valve. In order to prevent malfunctioning of the mixer to be caused by radiant heat, the mixer should be positioned beside the heater, leaving at least one metre between the water heater and the JRGUMAT. If a minimum separation cannot be guaranteed, a thermosiphon must be installed.

Return flow prevention

For the connection of the JRGUMAT thermoblending valve, only low pressure-loss JRG 1610 or 1611, non return valves, JRG 1682 swing check valves and JRG 5262-5284 back flow preventer valves may be used.

Soldering unions

The soldered unions must not be fitted to the JRGUMAT while conducting the soldering work otherwise the thermostat and the seals will be damaged.

Maintenance

- JRGUMAT thermoblending valves operate to a large extent without any need for maintenance.
- The accompanying assembly and operating manual should be given to the client when the installation is handed over.
- In the case of a breakdown, compare the position of the installation with the installation diagram in this folder.
- Should the mixer malfunction, become soiled, calcify, etc., it has to be replaced.

Transport packaging

JRGUMAT thermoblending valve and JRGUTHERM circulation flow regulator transport packaging materials serve as thermal insulation after assembly and adjustment.





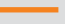



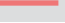































Circulation adjustment units for JRGUMAT thermoblending valves

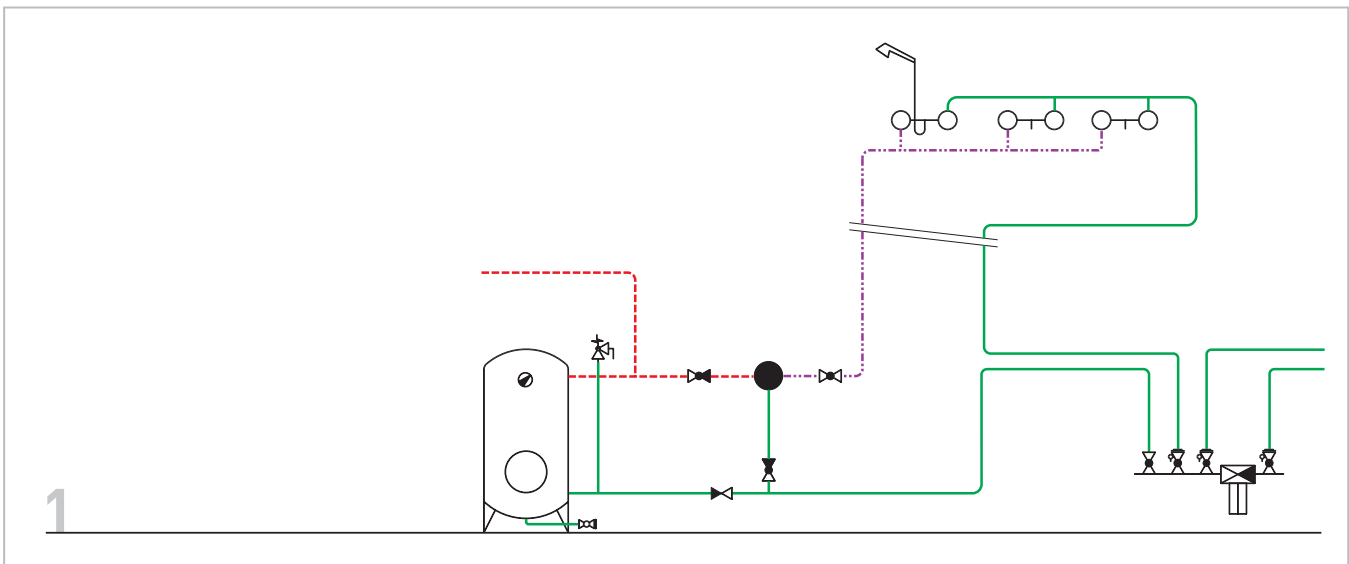


Request our detailed documentation on the JRGUTHERM thermostatic circulation regulator and LegioTherm System.

Installation examples of JRGUMAT thermoblending valve

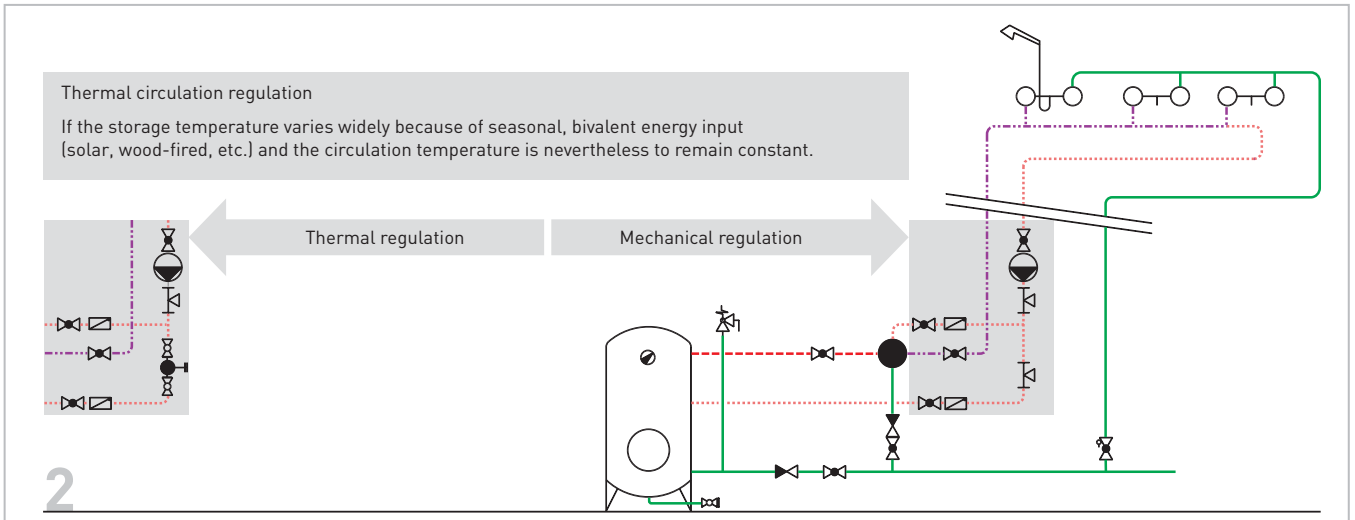
DIN	Text	JRG No.	SIA
	TWK – Cold water – WKR		
	TWW – Hot water – WWV		
	TWZ – WW circulation – WWR		
	TWM – Blended water – WMV		
	WMZ – WM circulation – WMR		
	JRGUMAT thermoblending valve	3400/3410	
	Shut-off valve	5200-5234	
	Non-return valve	1610-1615	
	Back flow preventer with shut-off	5262-5284	
	Swing check valve	1682	
	Safety valve	1025	
	Adjusting socket	6310	
	JRGUTHERM circulation flow regulator	6320 + 8339	
	Pump		
	Drain valve	6000-6012	
	JRGUSIT battery valve	5120-5122	
	JRGURED combined domestic water station	1350-1360	
	JRGURED pressure-reducing valves	1300-1335	
	Fine filter	1830-1846	

Blended water installation without circulation with separate hot water outlet

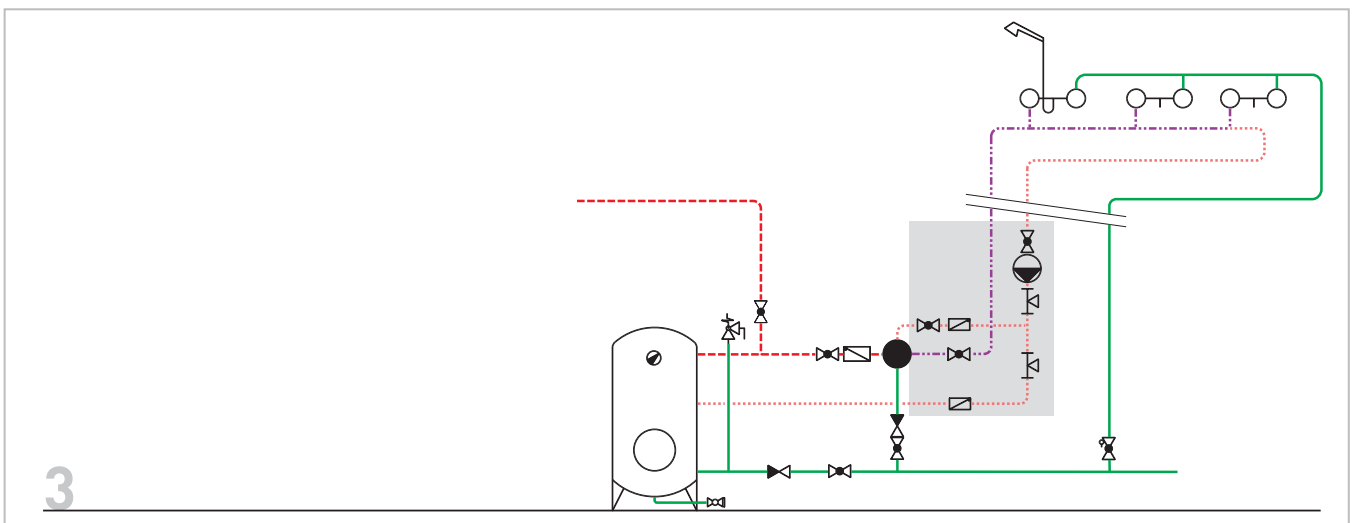


Installation examples of JRGUMAT thermoblending valve

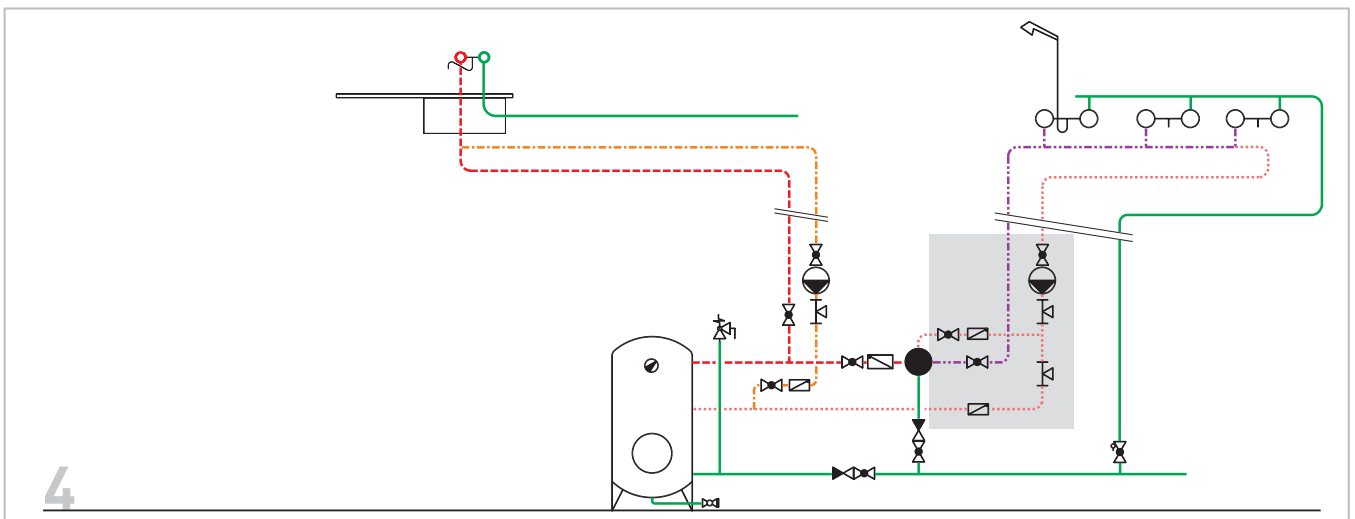
Blended water installation with circulation



Blended water installation with circulation and hot water outlet

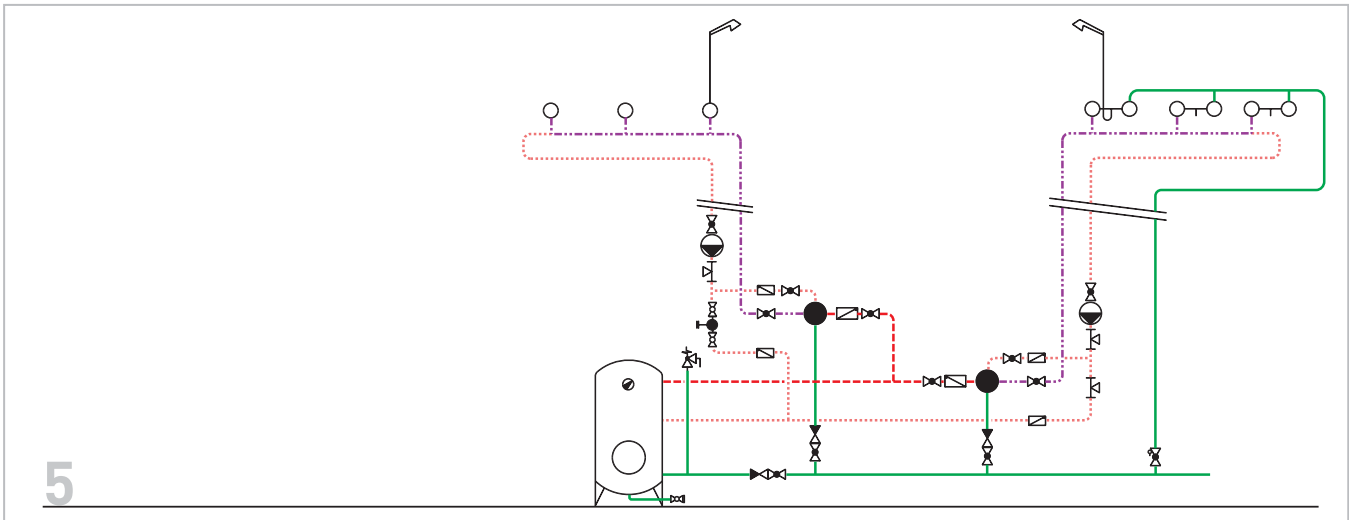


Blended water installation with circulation and hot water outlet with circulation

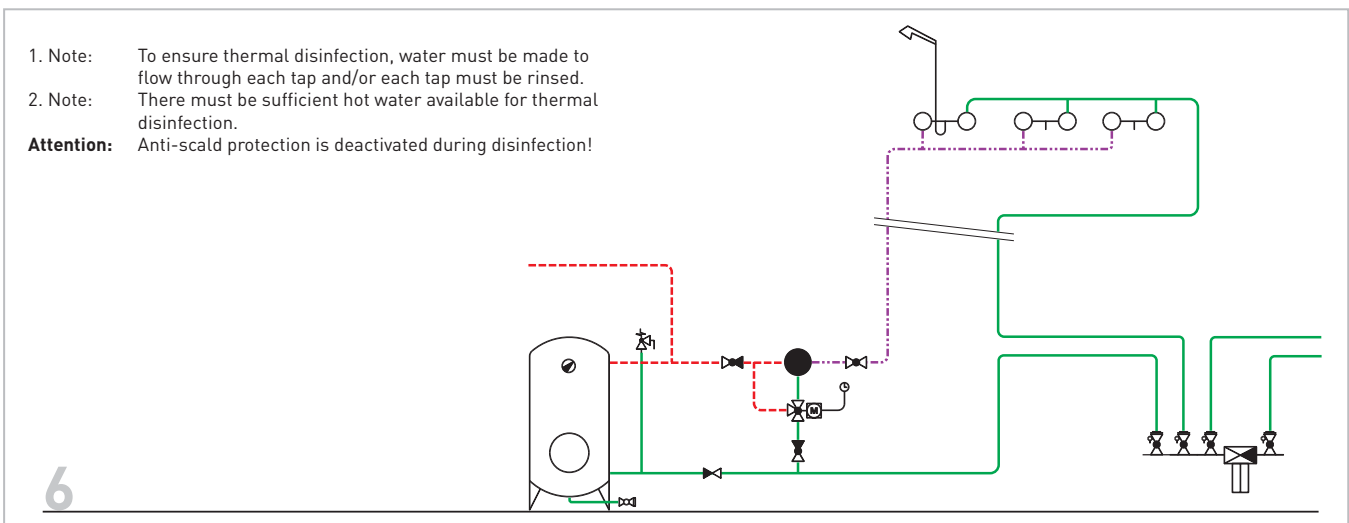


Installation examples of JRGUMAT thermoblending valve

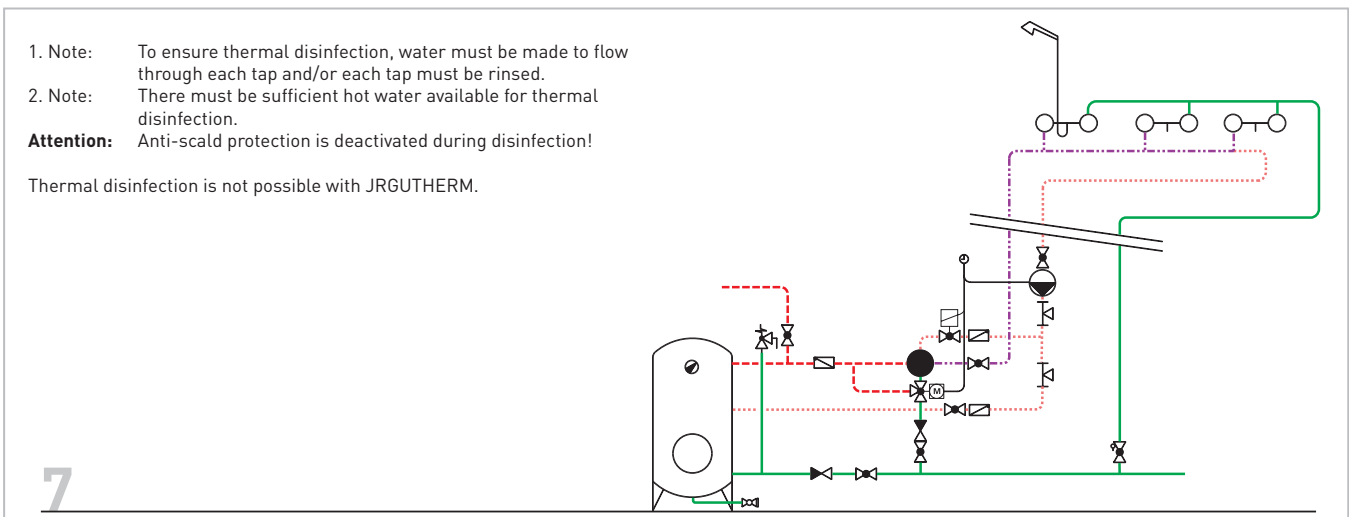
Blended water installation with two blended water circuits



Blended water installation without circulation with thermal disinfection

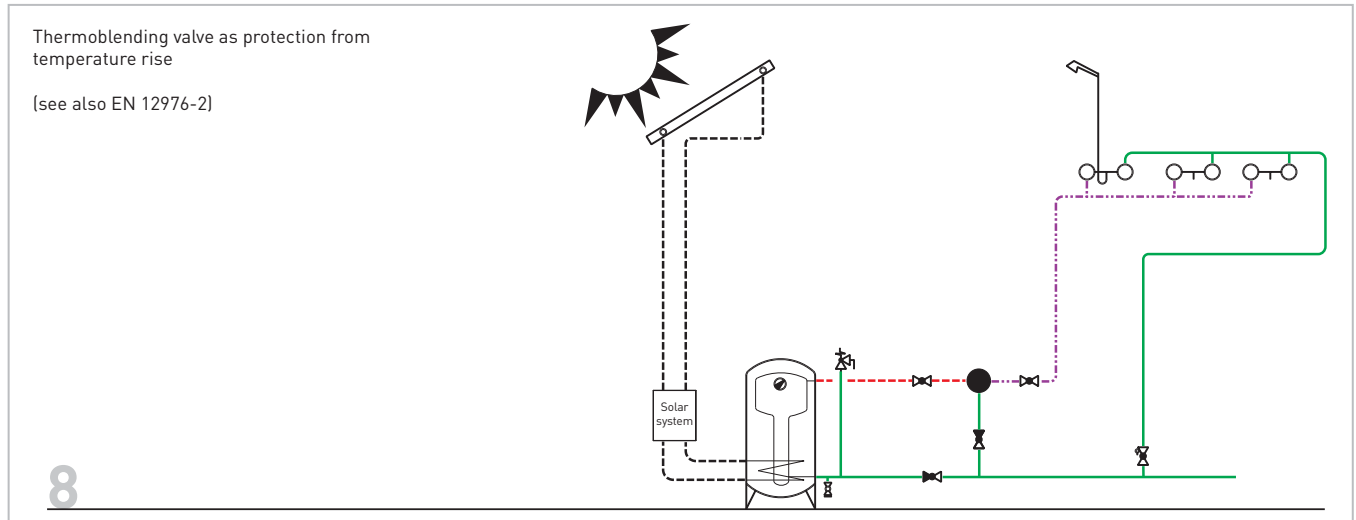


Blended water installation with circulation and thermal disinfection

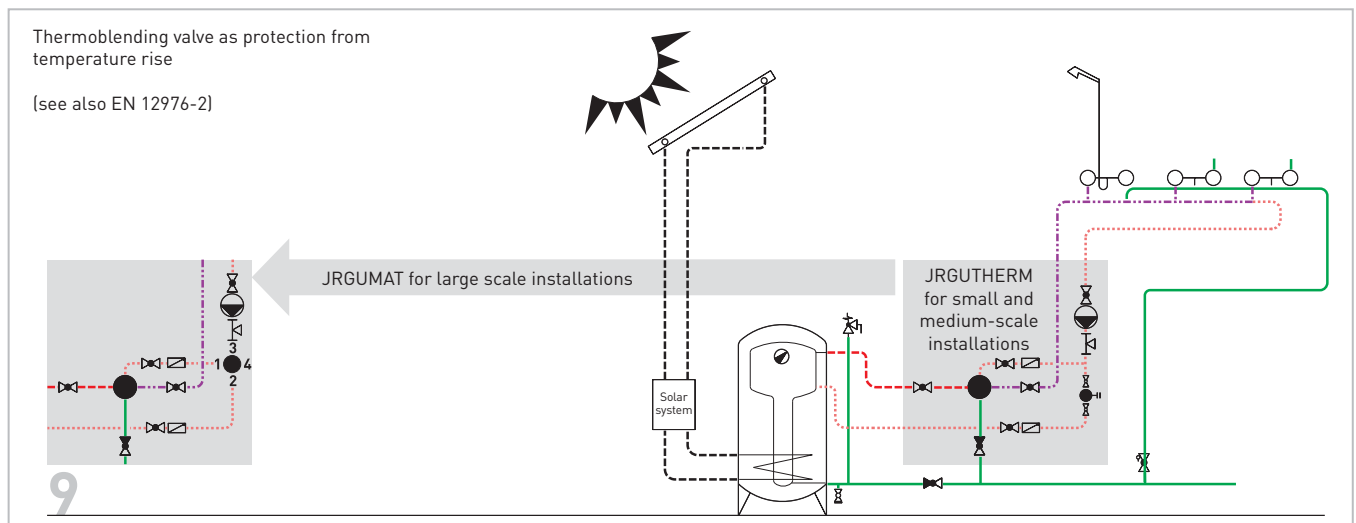


Installation examples of JRGUMAT thermoblending valve

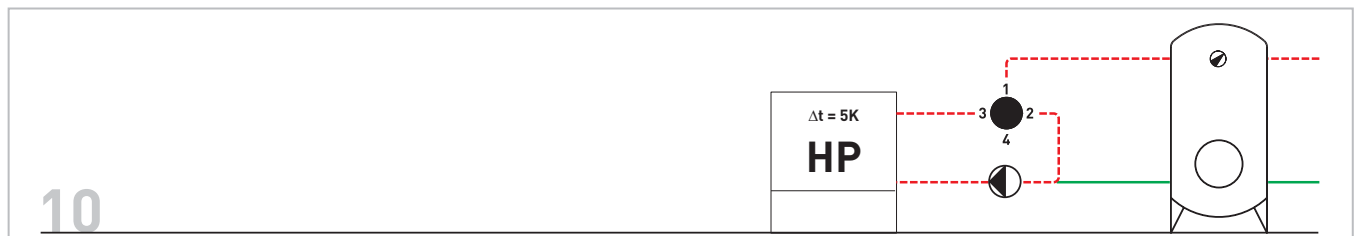
Blended water installation in alternative energy installation without circulation



Blended water installation in alternative energy plant with thermal circulation regulation

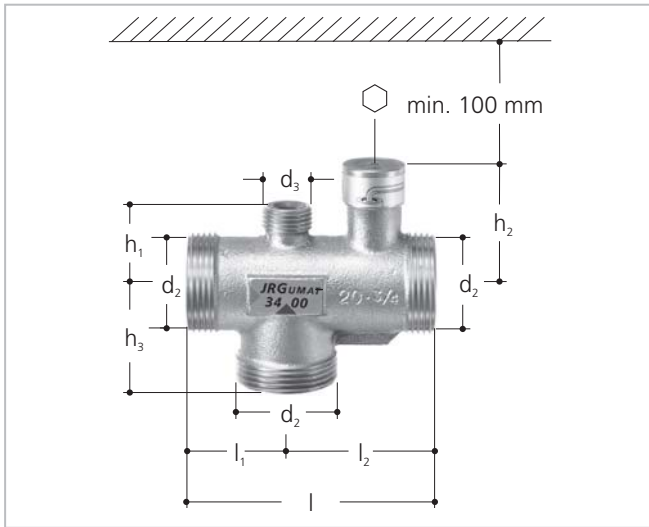


JRGUMAT thermoblending valve as regulator for storage



- 1 Cold water inflow
- 2 Hot water inflow
- 3 Blended water outflow
- 4 Circulation inflow, closed

JRGUMAT thermoblending valve 3400



JRGUMAT thermoblending valve, PN 10

Gunmetal body, external thread all round for screw unions, for water up to max. 90°C, standard factory preset temperature.

Cap for circulation union JRG 8325.

Union fittings on page 12/13.

Art. No.	GN	DN		Code	d2	d3	h1	h2	h3	l	l1	l2		°C	kg
3400.910	1/2	15		350760501	G 1/8	-	-	47	35	90	35	55	5	25	0.570
3400.912	1/2	15		350760502	G 1/8	-	-	47	35	90	35	55	5	40	0.570
3400.914	1/2	15		350760507	G 1/8	-	-	47	35	90	35	55	5	48	0.570
3400.916	1/2	15		350760503	G 1/8	-	-	47	35	90	35	55	5	55	0.570

Art. No.	GN	DN		Code	d2	d3	h1	h2	h3	l	l1	l2		°C	kg
3400.920	3/4	20		350760401	G 1/4	G 1/2	32	49	40	100	40	60	5	25	0.650
3400.922	3/4	20		350760402	G 1/4	G 1/2	32	49	40	100	40	60	5	40	0.650
3400.924	3/4	20		350760407	G 1/4	G 1/2	32	49	40	100	40	60	5	48	0.650
3400.926	3/4	20		350760403	G 1/4	G 1/2	32	49	40	100	40	60	5	55	0.650

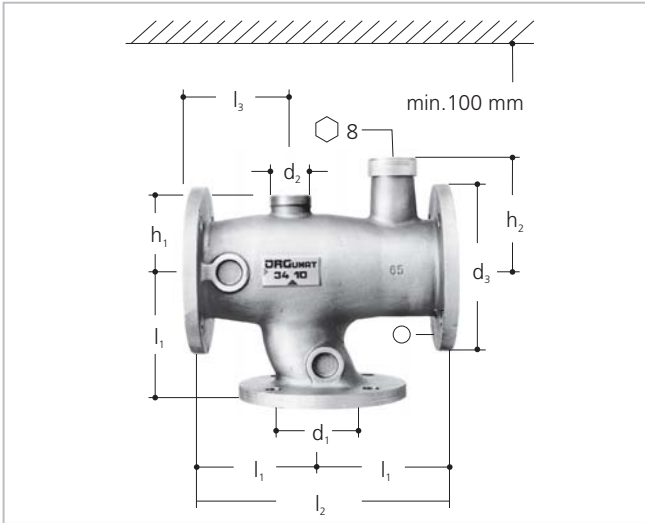
Art. No.	GN	DN		Code	d2	d3	h1	h2	h3	l	l1	l2		°C	kg
3400.930	1	25		350760301	G 1/2	G 3/4	36	51	43	110	43	67	5	25	0.870
3400.932	1	25		350760302	G 1/2	G 3/4	36	51	43	110	43	67	5	40	0.870
3400.934	1	25		350760307	G 1/2	G 3/4	36	51	43	110	43	67	5	48	0.870
3400.936	1	25		350760303	G 1/2	G 3/4	36	51	43	110	43	67	5	55	0.870

Art. No.	GN	DN		Code	d2	d3	h1	h2	h3	l	l1	l2		°C	kg
3400.940	1 1/4	32		350760201	G 2	G 3/4	41	75	52	130	52	78	8	25	1.600
3400.942	1 1/4	32		350760202	G 2	G 3/4	41	75	52	130	52	78	8	40	1.600
3400.944	1 1/4	32		350760207	G 2	G 3/4	41	75	52	130	52	78	8	48	1.600
3400.946	1 1/4	32		350760203	G 2	G 3/4	41	75	52	130	52	78	8	55	1.600

Art. No.	GN	DN		Code	d2	d3	h1	h2	h3	l	l1	l2		°C	kg
3400.950	1 1/2	40		350760101	G 2 1/4	G 3/4	50	77	58	150	58	92	8	25	2.100
3400.952	1 1/2	40		350760102	G 2 1/4	G 3/4	50	77	58	150	58	92	8	40	2.100
3400.954	1 1/2	40		350760107	G 2 1/4	G 3/4	50	77	58	150	58	92	8	48	2.100
3400.956	1 1/2	40		350760103	G 2 1/4	G 3/4	50	77	58	150	58	92	8	55	2.100

Art. No.	GN	DN		Code	d2	d3	h1	h2	h3	l	l1	l2		°C	kg
3400.960	2	50		350760001	G 2 3/4	G 3/4	60	85	70	180	70	110	8	25	3.370
3400.962	2	50		350760002	G 2 3/4	G 3/4	60	85	70	180	70	110	8	40	3.370
3400.964	2	50		350760007	G 2 3/4	G 3/4	60	85	70	180	70	110	8	48	3.370
3400.966	2	50		350760003	G 2 3/4	G 3/4	60	85	70	180	70	110	8	55	3.370

JRGUMAT thermoblending valve 3410



JRGUMAT thermoblending valve, PN 10

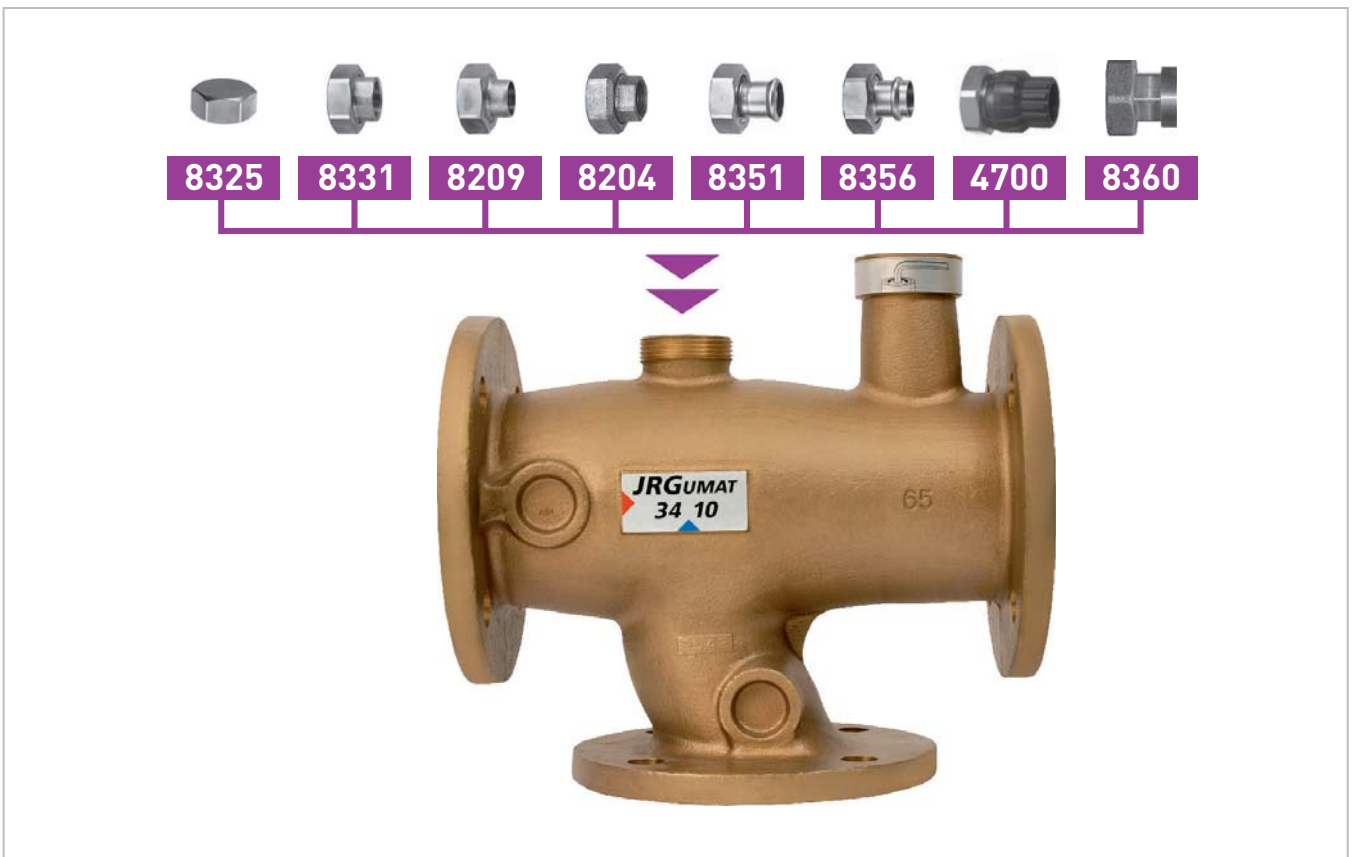
Gunmetal body, flanges all round according to VSM/DIN, with three flange gaskets, for water up to max. 90°C, factory preset to a standard temperature.

Cap for circulation union JRG 8325.

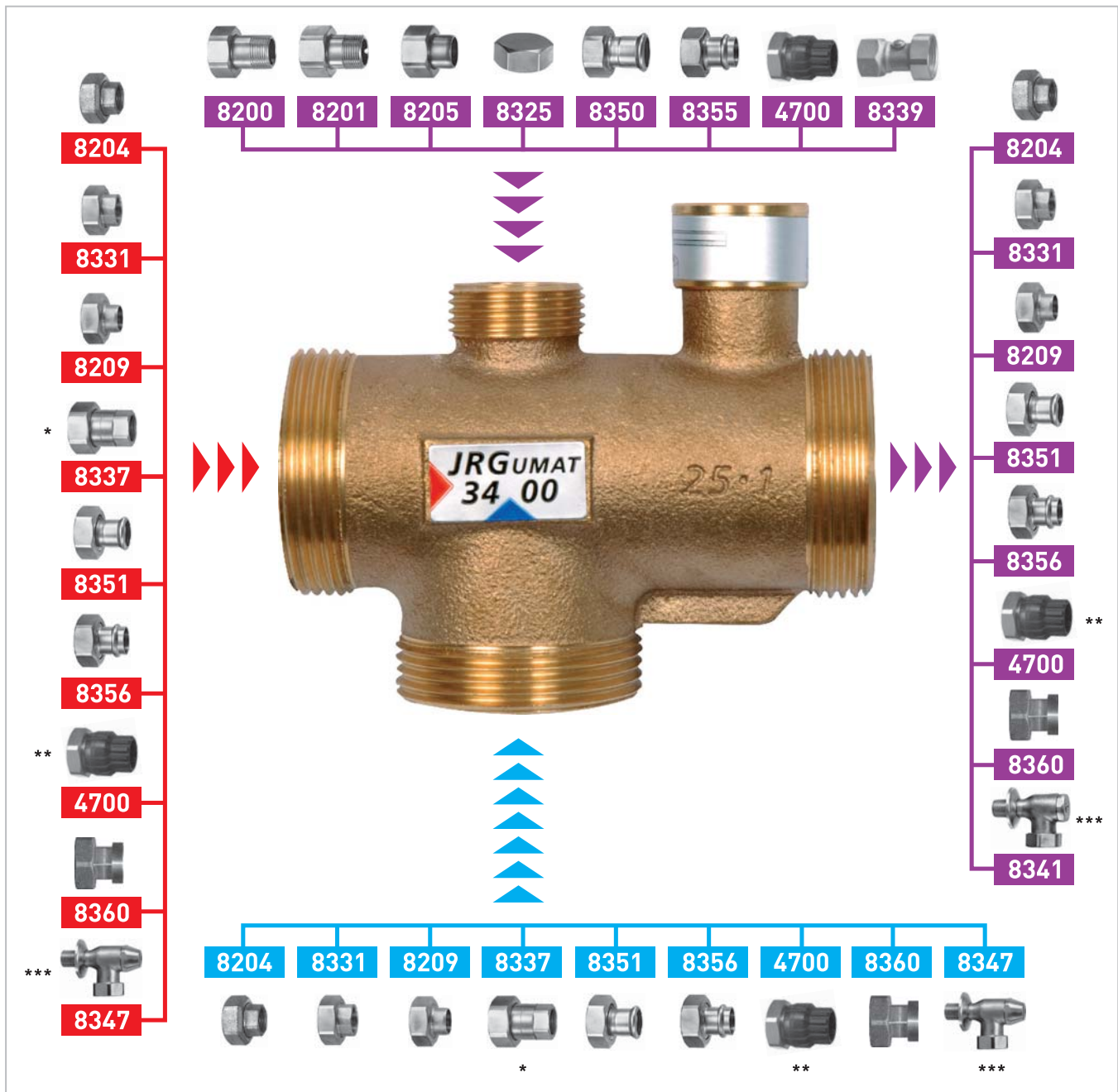
3412 as 3410, however with flanges all round according to BS (British Standard).

Art. No.	DN		Code	d1	d2	d3	h1	h2	l1	l2	l3		°C	kg
3410.601	65	741.107	350767204	65	G 1½	185	82	121	145	290	112	4	25	23.000
3410.605	65	741.107	350767205	65	G 1½	185	82	121	145	290	112	4	40	23.000
3410.606	65	741.107	350767208	65	G 1½	185	82	121	145	290	112	4	48	23.000
3410.608	65	741.107	350767206	65	G 1½	185	82	121	145	290	112	4	55	23.000
3410.801	80	741.108	350767404	80	G 2	200	92	127	155	310	124	8	25	28.000
3410.805	80	741.108	350767405	80	G 2	200	92	127	155	310	124	8	40	28.000
3410.806	80	741.108	350767408	80	G 2	200	92	127	155	310	124	8	48	28.000
3410.808	80	741.108	350767406	80	G 2	200	92	127	155	310	124	8	55	28.000

Screw unions for JRGUMAT thermoblending valves 3410, 3412



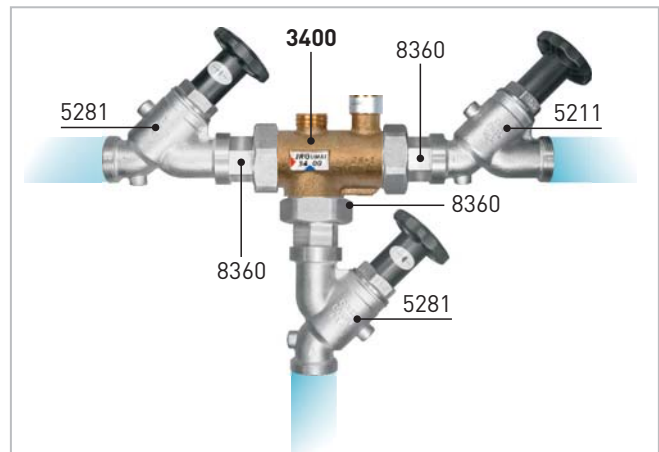
Screw unions for JRGUMAT thermoblending valve 3400



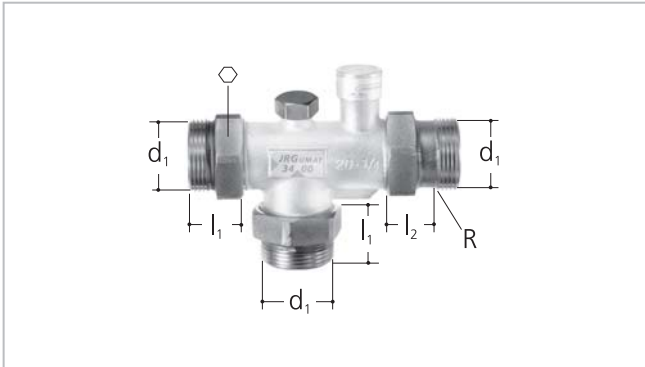
Only the screw unions listed here may be used!

- * Screw union 8337 with non-return valves only for GN ½ (DN 15), GN 15 (DN12) and GN ¾ (DN 20), GN 22 (DN 20).
- ** Screw union 4700 only up to GN 1¼ (DN 32).
- *** Corner union 8341 and corner shut-off valve with back flow preventer 8347 only up to GN ¾ (DN 20).

GF JRG systematics



Screw unions for JRGUMAT thermoblending valve 3400, 3410 and 3412

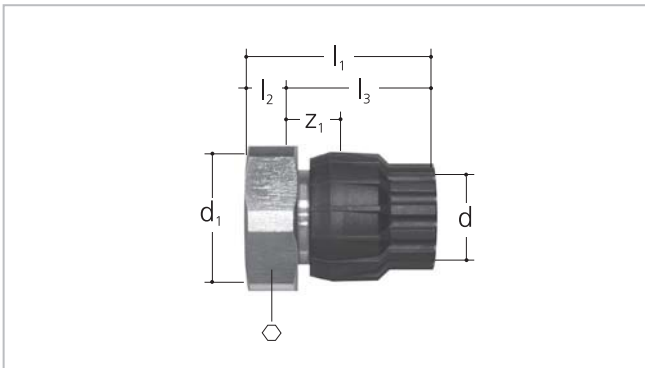


Adapter set

gunmetal, with gaskets, for exchanging JRG 3350 for JRG 3400.

R = 1½ + 2 in 2 halves.

Art. No.	GN	DN	Code	d1	l1	l2	⬡	R		kg
3480.320	¾	20	350597601	G 1¼	30.5	40.5	47	-		0.490
3480.400	1	25	350597701	G 1½	38.0	34.0	55	-		0.755
3480.480	1¼	32	350597801	G 2	39.5	33.5	66	-		1.000
3480.560	1½	40	350597901	G 2¼	44.5	30.5	72	2 halves		1.180
3480.640	2	50	350598001	G 2¾	44.5	34.5	89	2 halves		1.750

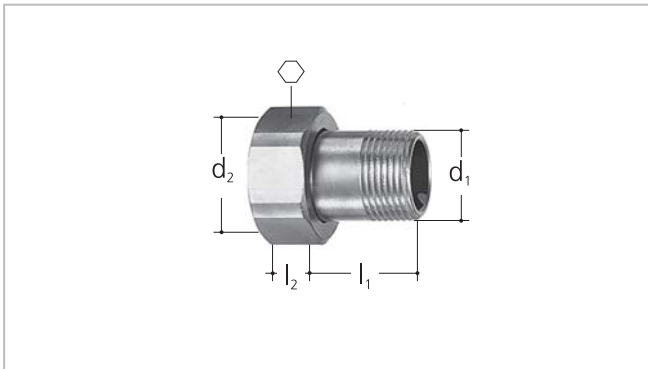


JRG Sanipex MT adapter to valves

gunmetal, with internal thread, seal and plastic cone grip union

Art. No.	GN-d	⬡	Code	d	d1	l1	l2	l3	⬡	z1		kg
4700.116	1⅛-16	333.141	351616995	16	G 1⅛	43.5	10	33.5	43	15		0.111
4700.120	1¼-16	333.151	351616996	16	G 1¼	44.5	11	33.5	46	15		0.119
4700.122	1¼-20	333.152	351620994	20	G 1¼	49.5	11	38.5	46	16		0.125
4700.124	1¼-26	333.153	351626995	26	G 1¼	59.0	11	48.0	46	19		0.150
4700.126	1¼-32	333.154	351632995	32	G 1¼	69.0	11	58.0	46	20		0.195
4700.128	1½-26	333.163	351626996	26	G 1½	59.0	11	48.0	54	19		0.204
4700.130	1½-32	333.164	351632996	32	G 1½	69.0	11	58.0	54	20		0.243
4700.136	2-40	333.175	351640996	40	G 2	82.5	13	69.5	67	25		0.410

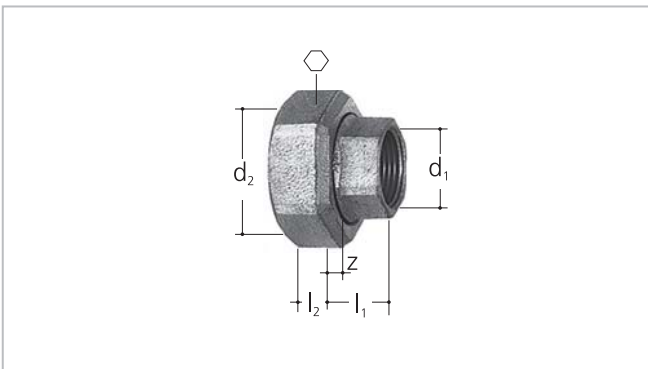
Screw unions for JRGUMAT thermoblending valves 3400, 3410 and 3412



Union

brass, with external thread for circulation connection

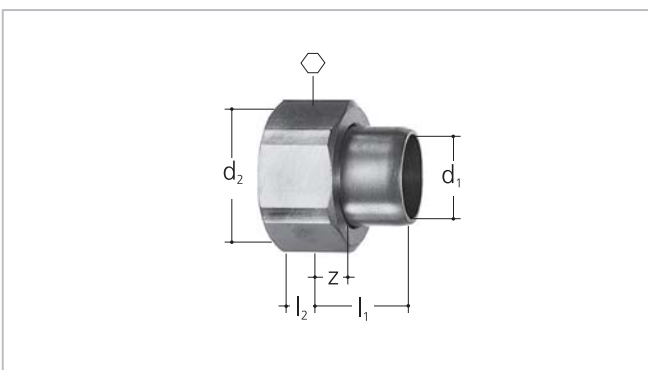
Art. No.	GN	DN		Code	d1	d2	l1	l2		Fits circulation union	kg
8200.160	3/8	10		350278401	R 3/8	G 1/2	21.5	5.5	24	GN 3/4	0.050
8201.240	1/2	15	671.113	350331701	R 1/2	G 3/4	25.0	6.0	30	GN 1-2	0.075



Union

galvanized, with internal thread for mixer connection and circulation connection

Art. No.	GN	DN		Code	d1	d2	l1	l2	z		Fits circulation union	kg
8204.240	1/2	15	671.133	350485601	Rp 1/2	G 1 1/8	23	9.5	10	44		0.150
8204.320	3/4	20	671.134	350485701	Rp 3/4	G 1 1/4	24	10.5	9	48		0.170
8204.400	1	25	671.135	350485801	Rp 1	G 1 1/2	27	11.0	10	54	DN 65	0.230
8204.480	1 1/4	32	671.136	350485901	Rp 1 1/4	G 2	32	11.5	13	67	DN 80	0.370
8204.560	1 1/2	40	671.137	350486001	Rp 1 1/2	G 2 1/4	34	12.5	15	73		0.450
8204.640	2	50	671.138	350486101	Rp 2	G 2 3/4	36	14.5	12	90		0.690

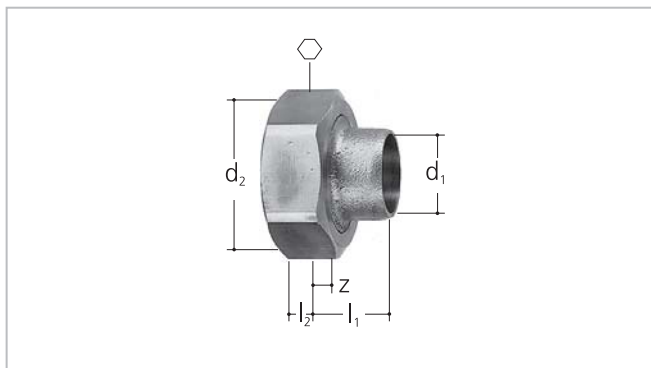


Soldering union

brass, for circulation connection

Art. No.	GN	DN	Code	d1	d2	l1	l2	z		Fits circulation union	kg
8205.012	12	10	350196901	12	G 1/2	16.5	5.5	5.5	24	GN 3/4	0.050
8205.015	15	12	350262301	15	G 3/4	19.5	6.0	7.5	30	GN 1-2	0.060
8205.018	18	15	350262601	18	G 3/4	21.5	6.0	7.5	30	GN 1-2	0.070

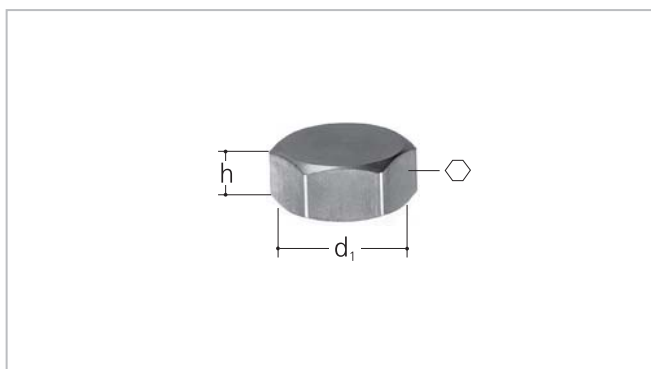
Screw unions for JRGUMAT thermoblending valves 3400, 3410 and 3412



Soldering union

of brass/gunmetal for mixer connection 3400 and circulation connection 3410, 3412

Art. No.	GN	DN		Code	d1	d2	l1	l2	z		zu 3400	Circul. union	kg
8209.015	15	12	671.315	350485102	15	G 1 1/8	21.0	8.0	7.5	41	GN 1/2		0.140
8209.018	18	15	671.316	350484102	18	G 1 1/8	23.0	8.0	7.5	41	GN 1/2		0.140
8209.022	22	20	671.317	350484201	22	G 1 1/4	23.5	8.0	6.5	46	GN 3/4		0.180
8209.028	28	25	671.318	350484301	28	G 1 1/2	26.0	9.0	6.0	54	GN 1	DN 65	0.240
8209.035	35	32	671.321	350484401	35	G 2	32.5	9.0	7.5	66	GN 1 1/4	DN 80	0.430
8209.042	42	40	671.322	350484601	42	G 2 1/4	36.5	11.0	7.5	72	GN 1 1/2		0.500
8209.054	54	50	671.323	350484801	54	G 2 3/4	41.5	13.5	7.5	89	GN 2		0.850

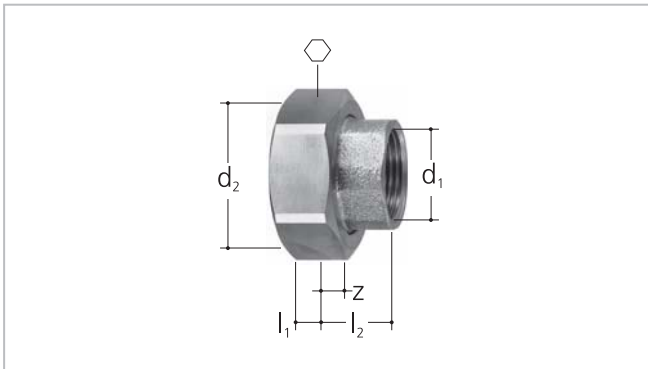


Cap

brass, with seal for circulation connection

Art. No.	GN	DN	Code	d	h			Fits circulation union	kg
8325.240	1/2	15	350756701	G 1/2	9.0	25		GN 3/4	0.030
8325.320	3/4	20	350756801	G 3/4	9.0	30		GN 1-2	0.040
8325.560	1 1/2	40	350769801	G 1 1/2	10.5	55		DN 65	0.180
8325.640	2	50	350769901	G 2	10.5	65		DN 80	0.230

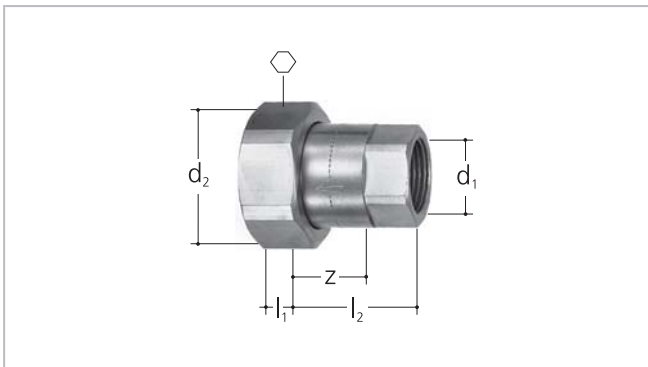
Screw unions for JRGUMAT thermoblending valves 3400, 3410 and 3412



Union

gunmetal, with internal thread for mixer connection and circulation connection

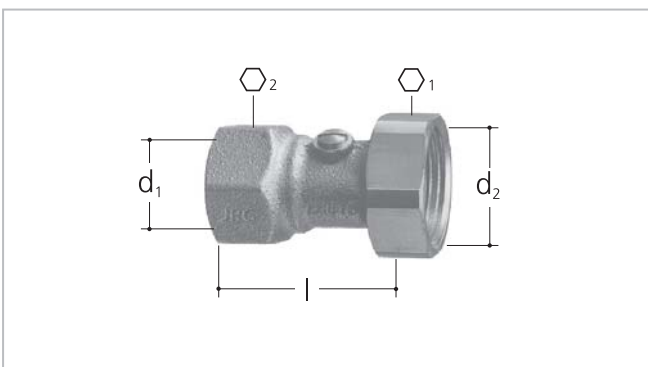
Art. No.	GN	DN		Code	d ₁	d ₂	l ₁	l ₂	z		Fits circulation union	kg
8331.240	½	15	671.133	350217101	Rp ½	G 1⅞	22.5	8.0	9.5	41		0.150
8331.320	¾	20	671.134	350253301	Rp ¾	G 1¼	22.5	8.0	7.5	46		0.180
8331.400	1	25	671.135	350253401	Rp 1	G 1½	27.0	9.0	10.0	54	DN 65	0.250
8331.480	1¼	32	671.136	350253501	Rp 1¼	G 2	29.0	10.0	10.0	66	DN 80	0.440
8331.560	1½	40	671.137	350253601	Rp 1½	G 2¼	33.0	11.0	14.0	72		0.570
8331.640	2	50	671.138	350253701	Rp 2	G 2¾	35.5	13.5	11.5	89		0.850



Union

brass, with internal thread, loose nut and non-return valve, for hot and cold water inlet

Art. No.	GN	DN		Code	d ₁	d ₂	l ₁	l ₂	z			kg
8337.240	½	15	671.183	350768601	Rp ½	G 1⅞	38.5	8.0	25.5	41		0.195
8337.320	¾	20	671.184	350768801	Rp ¾	G 1¼	44.5	8.0	29.5	46		0.265

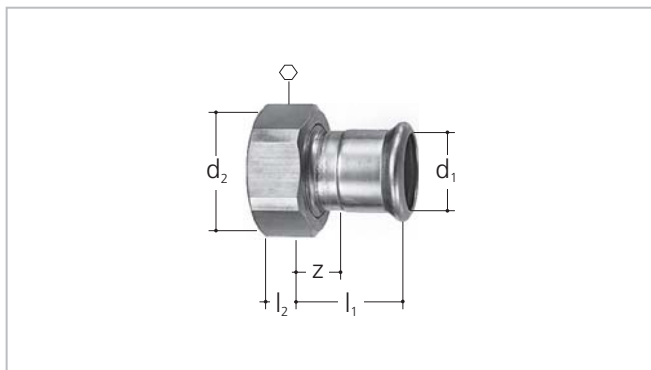


Lockable union, PN 10

made of gunmetal, with female thread, lockable with ball valve, gasket EPDM, loose nut made of brass, for water up to 70°C, suitable to 3600, 6320

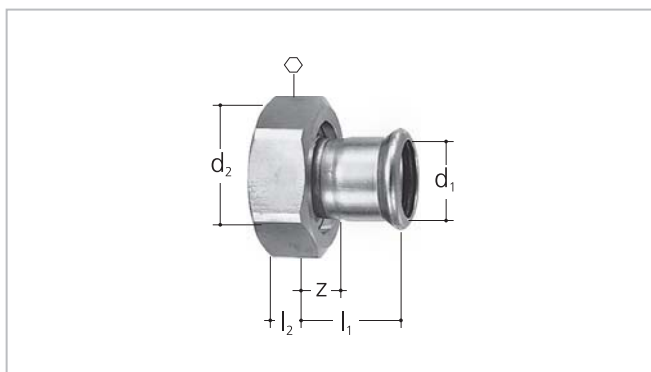
Art. No.	GN	DN		Code	d ₁	d ₂	l				kg
8339.240	½	15	671.713	350887710	Rp ½	G ¾	55	30	27		0.170
8339.320	¾	20	671.714	350887901	Rp ¾	G 1	55	37	32		0.200

Screw unions for JRGUMAT thermoblending valves 3400, 3410 and 3412



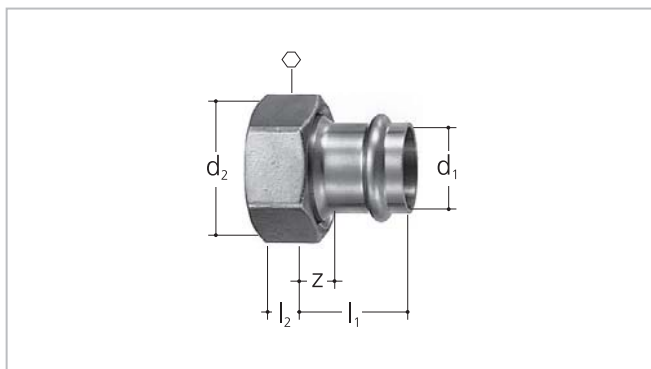
Union for Mapress Pressfitting system
for circulation connection

Art. No.	GN	DN		Code	d1	d2	l1	l2	z		Fits circulation union	kg
8350.015	15	12	671.412	355600201	15	G 3/4	30.5	6.5	11.0	30	1-2	0.078
8350.018	18	15	671.413	355600207	18	G 3/4	30.5	6.5	11.5	30	1-2	0.080



Union for Mapress Pressfitting system
for mixer connection and circulation connection

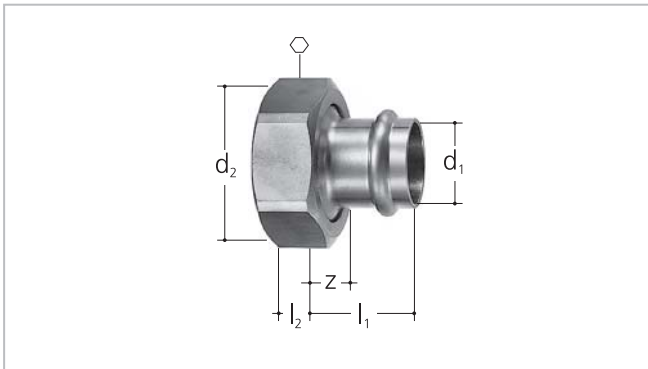
Art. No.	GN	DN		Code	d1	d2	l1	l2	z		Fits circulation union	kg
8351.015	15	12	671.412	355600401	15	G 1 1/8	39	8.0	19	41		0.118
8351.018	18	15	671.413	355600407	18	G 1 1/4	39	8.0	18	46		0.157
8351.022	22	20	671.414	355600402	22	G 1 1/4	42	8.0	21	46		0.160
8351.028	28	25	671.415	355600403	28	G 1 1/2	44	9.0	21	54	DN 65	0.245
8351.035	35	32	671.416	355600404	35	G 2	49	11.0	23	66	DN 80	0.350
8351.042	42	40	671.417	355600405	42	G 2 1/4	52	11.0	22	72		0.413
8351.054	54	50	671.418	355600406	54	G 2 3/4	57	13.5	22	89		0.560



Union for Optipress/Viega Sanpress system
for circulation connection

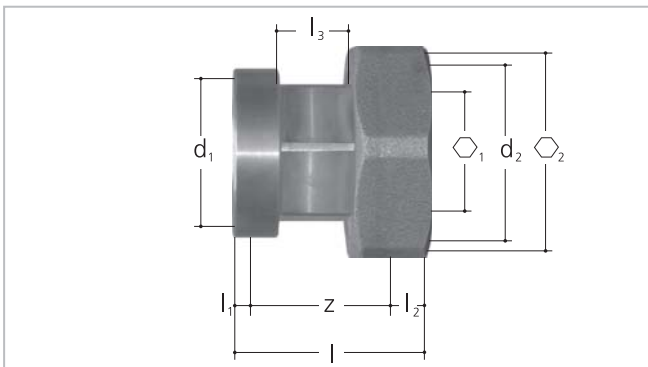
Art. No.	GN	DN		Code	d1	d2	l1	l2	z		Fits circulation union	kg
8355.015	15	12	671.412	355600601	15	G 3/4	37	9	13	31	1-2	0.100
8355.018	18	15	671.413	355600602	18	G 3/4	40	9	16	31	1-2	0.100

Screw unions for JRGUMAT thermoblending valves 3400, 3410 and 3412



Union for Optipress/Viega Sanpress system
for mixer connection and circulation connection

Art. No.	GN	DN		Code	d1	d2	l1	l2	z		Fits circulation union	kg
8356.015	15	12	671.412	355600801	15	G 1 $\frac{1}{8}$	39	10	15	42		0.140
8356.018	18	15	671.413	355600808	18	G 1 $\frac{1}{4}$	40	9	18	46		0.180
8356.022	22	20	671.414	355600802	22	G 1 $\frac{1}{4}$	36	11	12	50		0.195
8356.028	28	25	671.415	355600803	28	G 1 $\frac{1}{2}$	38	12	14	52	DN 65	0.190
8356.035	35	32	671.416	355600804	35	G 2	39	12	15	64	DN 80	0.275
8356.042	42	40	671.417	355600805	42	G 2 $\frac{1}{4}$	48	12	12	73		0.565
8356.054	54	50	671.418	355600806	54	G 2 $\frac{3}{4}$	55	17	15	88		0.635



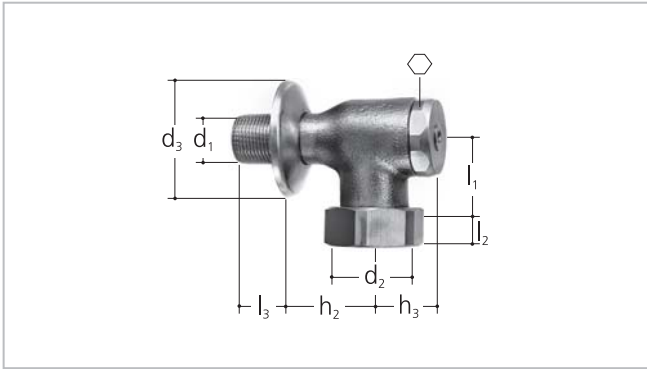
Sleeve connection, S2 on S1

to produce combinations, valves with male thread according ISO 228, made of gunmetal, with female thread and loose nut, and gaskets*, suitable to: 1611, 2191, 3400, 5120, 5211, 5281, 5283.

* Gaskets AFM 34 cannot be oiled neither be greased

Art. No.	DN		Code			d1	d2	l	l1	l2	l3	z	kg
8360.015	15	675.253	351061403	22	41	G $\frac{3}{8}$	G 1 $\frac{1}{8}$	56.0	6	8.0	22	42	0.220
8360.020	20	675.254	351061413	27	46	G 1	G 1 $\frac{1}{4}$	57.0	7	8.0	22	42	0.298
8360.025	25	675.255	351061423	32	54	G 1 $\frac{1}{4}$	G 1 $\frac{1}{2}$	61.0	8	9.0	22	44	0.452
8360.032	32	675.256	351061433	41	66	G 1 $\frac{1}{2}$	G 2	65.0	9	9.0	22	47	0.669
8360.040	40	675.257	351061443	48	72	G 1 $\frac{3}{4}$	G 2 $\frac{1}{4}$	68.0	10	11.0	22	48	0.738
8360.050	50	675.258	351061453	58	89	G 2 $\frac{3}{8}$	G 2 $\frac{1}{2}$	73.5	11	13.5	22	49	1.164

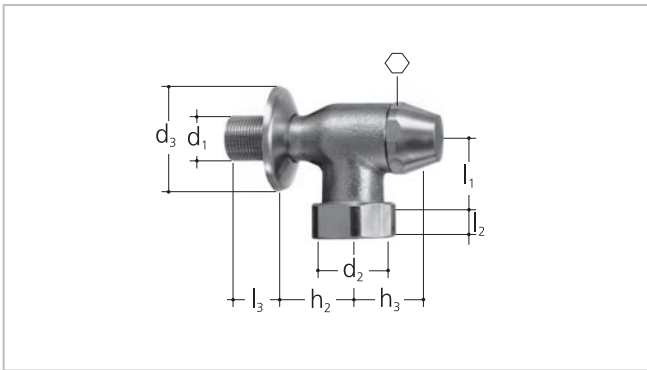
Accessories for JRGUMAT thermoblending valve 3408



Corner union

gunmetal, with external thread, escutcheon and loose nut for blended water connection, thread for thermometer connection

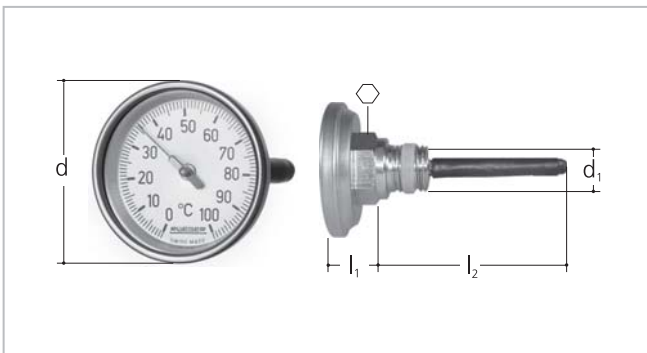
Art. No.	GN	DN	Code	d1	d2	d3	h2	h3	l1	l2	l3		Version	kg
8341.240	1/2	15	350759902	R 1/2	G 1 1/8	65	35	32	40	8	25	32	raw	0.400
8341.320	3/4	20	350756402	R 3/4	G 1 1/4	65	45	34	46	8	25	39	raw	0.600



Corner valve

gunmetal, with non-return valve, escutcheon, with external thread and loose nut, for hot and cold water inlet

Art. No.	GN	DN		Code	d1	d2	d3	h2	h3	l1	l2	l3		Version	kg
8347.240	1/2	15	624.333	350759901	R 1/2	G 1 1/8	65	35	48	40	8	25	32	raw	0.480
8347.320	3/4	20	624.334	350756401	R 3/4	G 1 1/4	65	45	52	46	8	25	39	raw	0.750



Thermometer

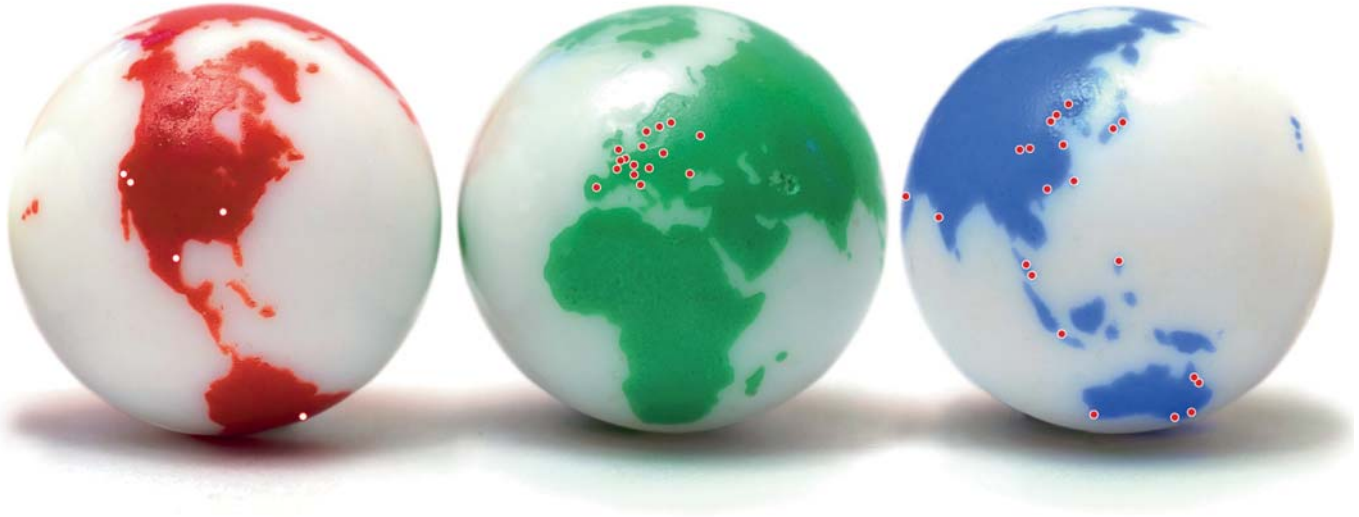
steel and brass, chrome-plated, fits corner union
8341.240-8341.321
0-100°C

Art. No.	GN	DN		Code	d	d1	l1	l2			kg
8349.080	1/4	8	673.112	350797501	36	G 1/4	16	47	17		0.040

GF Piping Systems → worldwide at home

Our sales companies and representatives ensure local customer support in over 100 countries.

www.piping.georgfischer.com



The technical data is not binding. They neither constitute expressly warranted characteristics nor guaranteed properties nor a guaranteed durability. They are subject to modification. Our General Terms of Sale apply.

Adding Quality to People's Lives

Headquarter Building Technology

Georg Fischer JRG AG
4450 Sissach/Switzerland
Phone +41(0)61 975 22 22
info.jrg.ps@georgfischer.com
www.jrg.ch

Australia

George Fischer Pty Ltd
Riverwood NSW 2210 Australia
Phone +61(0)2 9502 8000
australia.ps@georgfischer.com
www.georgfischer.com.au

Austria

Georg Fischer
Rohrleitungssysteme GmbH
3130 Herzogenburg
Phone +43(0)2782 856 43-0
austria.ps@georgfischer.com
www.georgfischer.at

Georg Fischer Fittings GmbH

3160 Traisen
Phone +32(0)2762 90300
fittings.ps@georgfischer.com

Belgium/Luxembourg

Georg Fischer NV/SA
1070 Bruxelles/Brüssel
Phone +32(0)2 556 40 20
be.ps@georgfischer.com
www.georgfischer.be

Brazil

George Fischer Ltda
04795-100 São Paulo
Phone +55(0)11 5687 1311
br.ps@georgfischer.com

China

Georg Fischer Piping Systems Ltd
Shanghai
Pudong, Shanghai 201319
Phone +86(0)21 58 13 33 33
china.ps@georgfischer.com
www.cn.piping.georgfischer.com

Denmark/Iceland

Georg Fischer A/S
2630 Taastrup
Phone +45 (0)70 22 19 75
info.dk.ps@georgfischer.com
www.georgfischer.dk

France

Georg Fischer SAS
95932 Roissy Charles de Gaulle Cedex
Phone +33(0)1 41 84 68 84
fr.ps@georgfischer.com
www.georgfischer.fr

Germany

Georg Fischer GmbH
73095 Albershausen
Phone +49(0)7161 302-0
info.de.ps@georgfischer.com
www.georgfischer.de

Germany

Georg Fischer GmbH
86633 Neuburg/Donau
Phone +49(0)8431 5817-0
info.jrg.ps@georgfischer.com
www.jrg.de

India

Georg Fischer Piping Systems Ltd
400 076 Mumbai
Phone +91 224007 2001
in.ps@georgfischer.com
www.georgfischer.in

Italy

Georg Fischer S.p.A.
20063 Cernusco S/N (MI)
Phone +3902 921 861
it.ps@georgfischer.com
www.georgfischer.it

Korea

Georg Fischer Piping Systems
Guro-3 dong, Guro-gu, Seoul, Korea
Phone +82(0)2 2081 1450
Fax +82(0)2 2081 1453
kor.ps@georgfischer.com

Middle East

Georg Fischer Piping Systems
Dubai, United Arab Emirates
Phone +971 4 289 49 60
info.export@georgfischer.com
www.export.georgfischer.com

Netherlands

Georg Fischer N.V.
8161 PA Epe
Phone +31(0)578 678 222
nl.ps@georgfischer.com
www.georgfischer.nl

Norway

Georg Fischer AS
1351 Rud
Phone +47(0)67 18 29 00
no.ps@georgfischer.com
www.georgfischer.no

Russia

Georg Fischer Piping Systems
Moscow 125047
Phone +7 495 258 60 80
ru.ps@georgfischer.com
www.georgfischer.ru

Singapore

George Fischer Pte Ltd
528 872 Singapore
Phone +65(0)67 47 06 11
sgp.ps@georgfischer.com
www.georgfischer.com.sg

Spain/Portugal

Georg Fischer S.A.
280046 Madrid
Phone +34(0)91 781 98 90
es.ps@georgfischer.com
www.georgfischer.es

Sweden/Finland

Georg Fischer AB
12523 Älvsjö-Stockholm
Phone +46(0)8 506 775 00
info.se.ps@georgfischer.com
www.georgfischer.se

Switzerland

Georg Fischer
Rohrleitungssysteme [Schweiz] AG
8201 Schaffhausen
Phone +41(0)52 631 30 26
ch.ps@georgfischer.com
www.piping.georgfischer.ch

Switzerland

Georg Fischer JRG SA
6962 Viganella/Lugano
Phone +41(0)91 972 26 26
ti.jrg.ps@georgfischer.com
www.jrg.ch

United Kingdom/Ireland

Georg Fischer Sales Limited
Coventry, CV2 2ST
Phone +44(0)2476 535 535
uk.ps@georgfischer.com
www.georgfischer.co.uk

International

Georg Fischer
Piping Systems (Switzerland) Ltd.
8201 Schaffhausen/Switzerland
Phone +41(0)52 631 30 03
Fax +41(0)52 631 28 93
info.export@georgfischer.com
www.export.georgfischer.com

+GF+

GEORG FISCHER
PIPING SYSTEMS