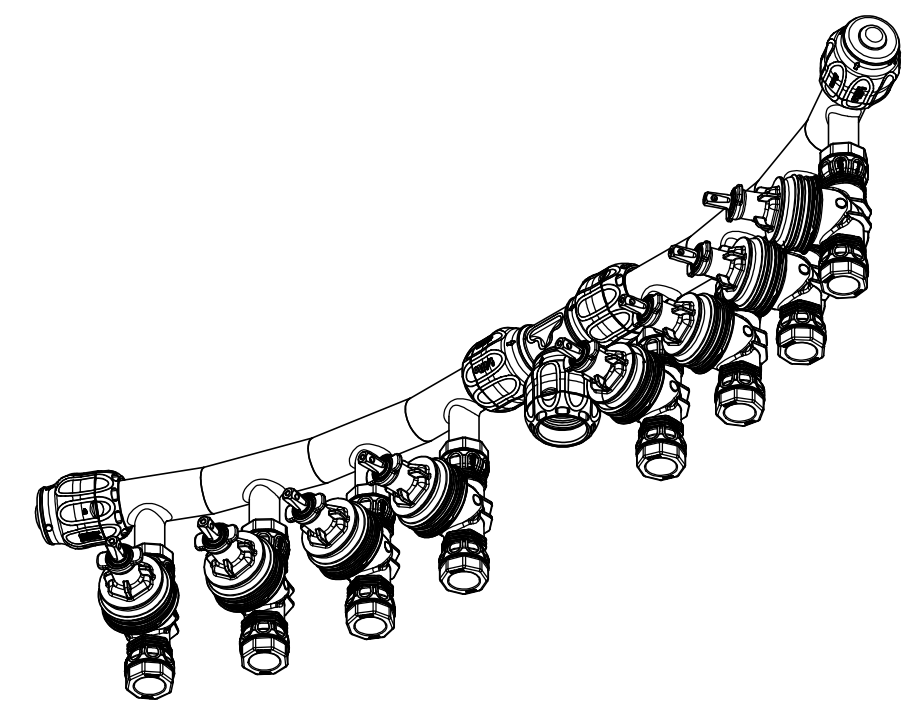
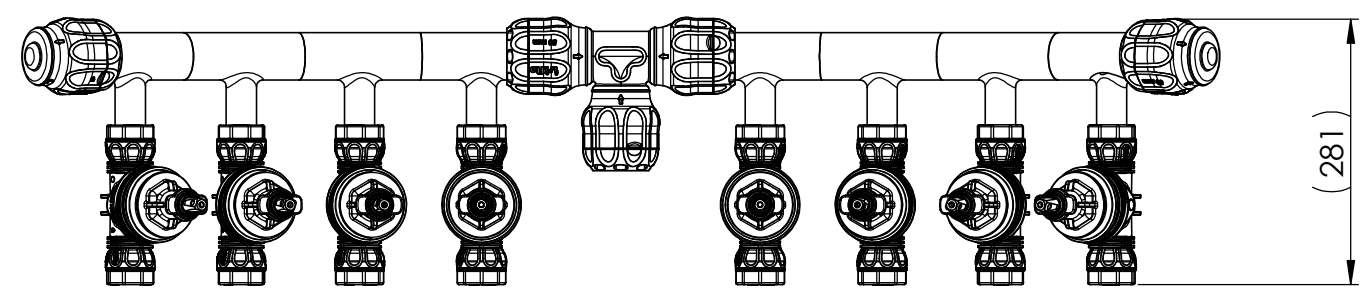
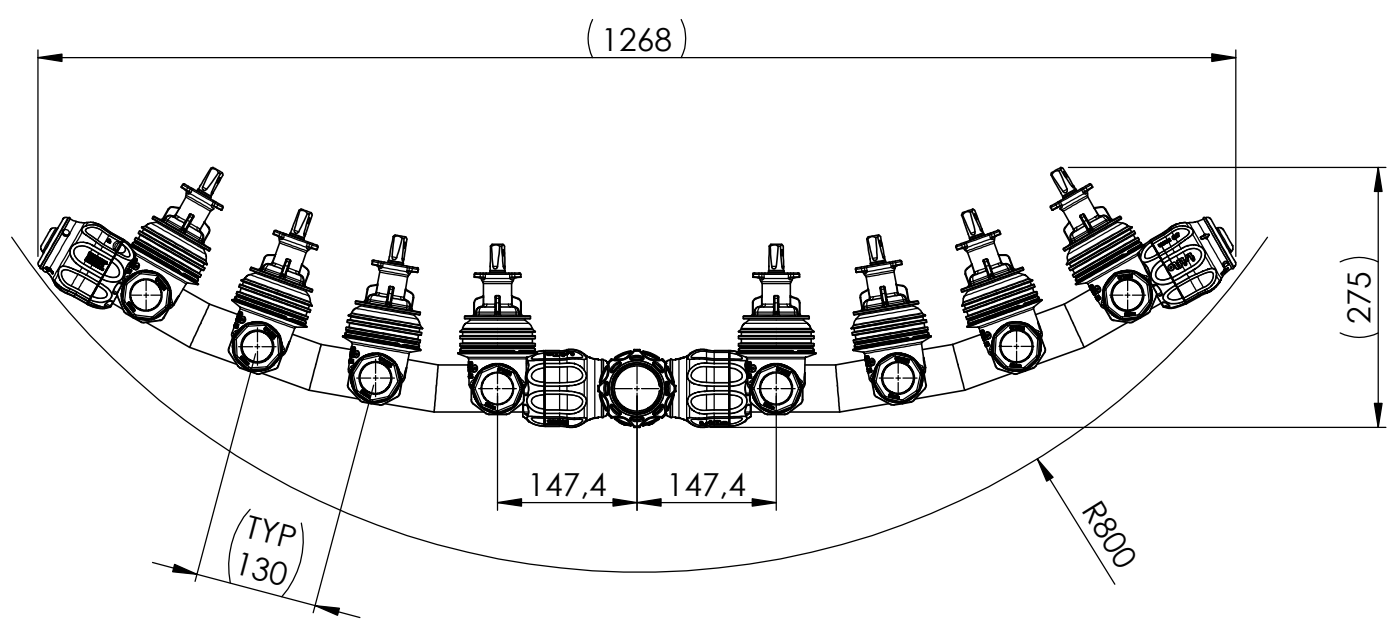




REV.	DESCRIPTION	ECO (Y/N)	REVISION BY / DATE	APPROVED BY / DATE
-	Prototype drawing. Not for production!		JSB / 22.03.04	AMU / 22.03.04



TOTAL WEIGHT ASSEMBLY [g]: 14295.64		NOTE:		
CAD: 	GENERAL TOLERANCE	SCALE	FINISH	
		1:8		
DESIGNER / DATE		Jonas Solhaug Bossum / 22.04.08		
PART & DIMENSION:		ARTICLE / DRAWING NUMBER:		REV.:
Type 250 Manifold Ø1600 - 8 valves		Type 255 måltegning		-
PRODUCT GROUP:		REFERENCE DRAWING:		SHEET 1 OF 1
Isiflo ECO LINE				A3

This drawing is property of ISIFLO AS.
 The right to use this drawing /
 description belongs to ISIFLO AS.
 The drawing must not be copied,
 distributed or submitted to persons
 not concerned.