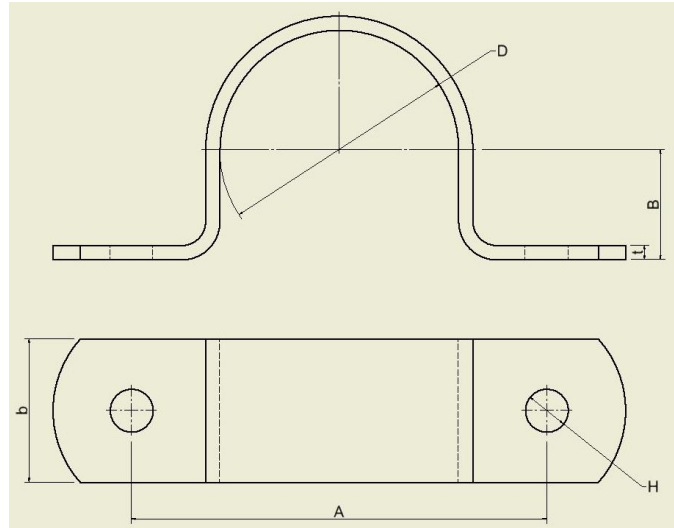




## Metric Dimensions

Pipe Clamp AS, is a supplier of standard stainless steel pipe clamps. The fabrication and main office is located in Stavanger.



NRF	Standard	Description	Material AISI 316L						
			D (mm)	b (mm)	t (mm)	H (mm)	A (mm)	B (mm)	Bolts
3530501	Metrisk		12	20	2	7	33	5	M 6 x 20
3530502	Metrisk		15	20	2	7	38	6,5	M 6 x 20
3530503	Metrisk		18	20	2	7	43	8	M 6 x 20
3530504	Metrisk		22	20	3	7	48	10	M 6 x 20
3530505	Metrisk		28	20	3	7	53	13	M 6 x 20
3530506	Metrisk		32	30	3	9	59	15	M 8 x 25
3530507	Metrisk		42	30	3	9	69	19	M 8 x 25
3530508	Metrisk		50	30	3	9	87	23	M 8 x 25
3530509	Metrisk		60	30	3	9	97	28	M 8 x 25
3530511	Metrisk		76	30	3	9	113	36	M 8 x 25
3530512	Metrisk		90	30	3	9	127	43	M 8 x 25
3530513	Metrisk		110	30	3	9	147	53	M 8 x 25

- The pipe clamps is normally delivered without mounting bolts. However bolts can be delivered on request.
- Send E-mail for our best quotation.

Contact:

[post@pipeclamp.no](mailto:post@pipeclamp.no)

or

Cell: +47 97 17 69 60