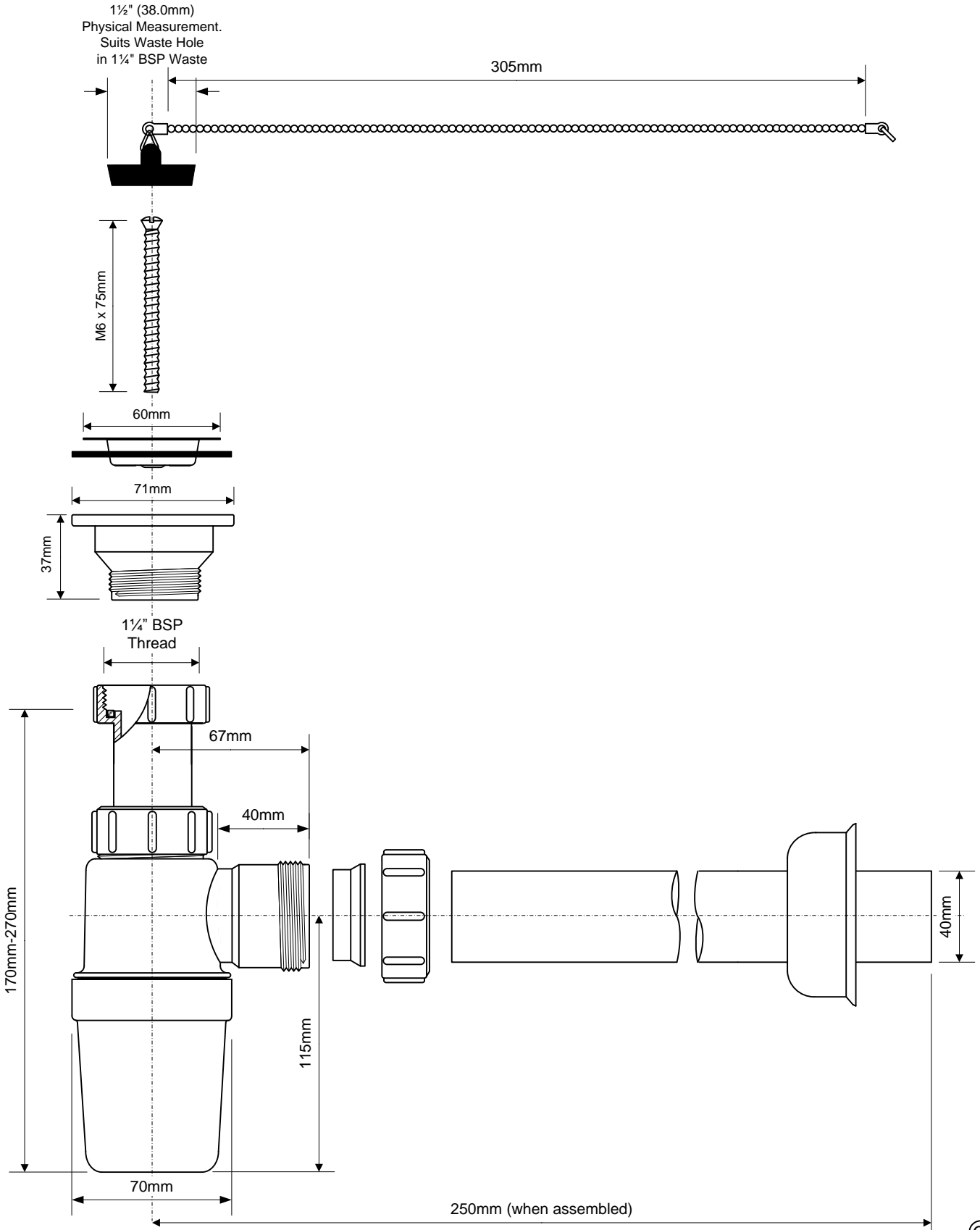


Code:

ES31AWPFC-B



©

McALPINE

Drawing verified
correct as of:

10.03.11
T.C.

DRAWN BY

TC

REVISED

1-Re-drawn to scale

FILENAME

ES31AWPFC-B.VSD

SCALE

1:2.4

DATE

07.09.11