



Marine &amp; Offshore

Certificate number: 01328/I1 BV

File number: ACM 145/1915/001

Product code: 2223I

*This certificate is not valid when presented without the full attached schedule composed of 7 sections*

www.veristar.com

## TYPE APPROVAL CERTIFICATE

*This certificate is issued to*

**SOC LA SAS**

VIREY LE GRAND - FRANCE

*for the type of product*

**CHECK VALVES, NON-RETURN VALVES**

Antipollution non return & foot valves: 02, 04, 05, M, W, B, TJO, FL, TJ systems

**Requirements:**

- BUREAU VERITAS Rules for the Classification of Steel Ships
- BUREAU VERITAS Rules for the Classification of Offshore Units
- BUREAU VERITAS Rules for the Classification of Naval Ships

*This certificate is issued to attest that Bureau Veritas Marine & Offshore did undertake the relevant approval procedures for the product identified above which was found to comply with the relevant requirements mentioned above.*

**This certificate will expire on: 25 Nov 2021**

For Bureau Veritas Marine & Offshore,

At BV LYON, on 18 Dec 2017,

Yann Krempelwicz



This certificate remains valid until the date stated above, unless cancelled or revoked, provided the conditions indicated in the subsequent page(s) are complied with and the product remains satisfactory in service. This certificate will not be valid if the applicant makes any changes or modifications to the approved product, which have not been notified to, and agreed in writing with Bureau Veritas Marine & Offshore. Should the specified regulations or standards be amended during the validity of this certificate, the product(s) is/are to be re-approved prior to it/they being placed on board vessels to which the amended regulations or standards apply. This certificate is issued within the scope of the General Conditions of Bureau Veritas Marine & Offshore available on the internet site [www.veristar.com](http://www.veristar.com). Any Person not a party to the contract pursuant to which this document is delivered may not assert a claim against Bureau Veritas Marine & Offshore for any liability arising out of errors or omissions which may be contained in said document, or for errors of judgement, fault or negligence committed by personnel of the Society or of its Agents in establishment or issuance of this document, and in connection with any activities for which it may provide.

The electronic version is available at: <http://www.veristarpm.com/veristarnb/jsp/viewPublicPdfTypepec.jsp?id=g1vfeaczun>

BV Mod. Ad.E 530 June 2017

This certificate consists of 4 page(s)

## THE SCHEDULE OF APPROVAL

### 1. PRODUCT DESCRIPTION

**Antipollution non return valves & foot valves: 02, 04, 05, M, W, B, TJO, FL, TJ systems**

#### 1.1 Types

- Non return valves - 202, 202B, 202S, 202TT, 202TTP, 202V, 202W, 207, 207V, 212,212S, 212Z, 402, 402AC, 402B, 402S, 402T, 402X, 402RR, 402TTP, 402V, 402W, 402Z, 407, 407B, 407T, 407RR, 412, 412S, 412Z, 417, 422, 462, 802, 802B, 802S, 802T,802Z, 812, 812X, 812XB, 812XS, 812XT, 882, 892, 50, 50F, 208P, 408, 408F, 408V, 408X, 418, 418F, 418V, 418D, 508, 508F, 405, 405L, 615, 627E, 635E, 635V, 627V/627V1B,805, 805V, 815, 825, 895, 895V, 290, 290D, 290P, 290X, 297, 297D  
 - Foot valves - 102, 102P, 102PV, 302, 302P, 302PV, 302X, 302Z, 312, 322, 30, 308, 318, 60S, 104, 104P, 114, 144, 144DG, 190, 190D, 190P, 190X, 193, 193D

#### 1.2 Technical Description

Type	Non-return valves Foot valves	Non-return valves Foot valves	Non-return valves
System	02	M	W
Size	1-1/2" to 20" (DN 40 to DN 500)	3/8" to 8" (DN 15 to DN 200)	1/2" to 8" (DN 15 to DN 200)
Max. Pressure (bar)	40	16	40
Max. Temperature (°C)	140	100	350
Connection	Flanged / threaded	Flanged / threaded	Flanged / threaded

Type	Non-return valves	Foot valves	Non-return valves
System	B	B	05
Size	1" to 14"	2" to 14" (308, 318); 1" to 3" (30)	1-1/2" to 24" (DN 40 to DN 600)
Max. Pressure (bar)	10	10	25
Max. Temperature (°C)	80	80	150
Connection	Flanged / threaded	Flanged / threaded	Flanged / threaded / wafer

Type	Non-return valves	Foot valves
System	TJO+FL+04	TJO+FL+04, TJ
Size	1/4" to 2" (DN 10 to DN 50)	3/8" to 4" (DN 15 to DN 100) DN 200 to DN 600 (TJ)
Max. Pressure (bar)	10	10
Max. Temperature (°C)	80	80
Connection	Threaded	Threaded / flanged (TJ)

#### 1.3 Material specification

##### 1.3.1 For 02, M & W systems

System	02	M	W
Body	Ductile/cast iron with epoxy coating/ Brass/ Stainless steel	Ductile/cast iron with epoxy coating	Ductile/cast iron with epoxy coating/ Brass/ Stainless steel
Closing system	Ductile/cast iron / Brass/ Stainless steel (disc)	Rubber NR/EPDM (membrane)	Stainless steel/ Brass (disc)
Seat	EPDM/ Fluoridated elastomer	EPDM/ FEP	EPDM/ Stainless steel

##### 1.3.2 For B system

Body	Cast iron FGL 250, FGS 400/ GJS Cast Iron / Stainless steel grade 304/ PVC (Fig. 208P)
Ball	Cast iron/ Aluminium/ resin/ Aluminium NBR (nitrile) coated/ Steel with NR (natural rubber) coated/ Floating, epoxy resin coated/ FKM coated
Seat	NR/ CR/ NBR/ FKM (Viton)

##### 1.3.3 for TJO, FL, 04, TJ & 05 systems

System	TJO+FL+04	TJ	05
Body	Stainless steel/ POM (polyacetal)/ PP/ Brass	Cast iron with epoxy coating	Ductile/cast iron with epoxy coating/ Steel/ Stainless steel
Closing system	POM (polyacetal)/ PP	Cast iron with epoxy coating	Ductile/cast iron / Brass/Steel/ Stainless steel (disc)
Seat	EPDM/ NBR/ Fluoridated elastomer	EPDM/ NBR	EPDM/ NBR/Fluoridated elastomer

*When other material combinations are used according to manufacturer's instructions, the BV agreement will be obtained.*

## **2. DOCUMENTS AND DRAWINGS**

- Manufacturer's catalogue 2010 issue - French version
- Technical data sheet Type 30, Reference N° uk30 dated 09/08/2007
- Technical data sheet Type 50, Reference N° uk50 dated 02/09/2013
- Technical data sheet Type 50F, Reference N° uk50f dated 22/04/2004
- Technical data sheet Type 208P, Reference N° uk208p dated 02/09/2013
- Technical data sheet Type 408X, Reference N° uk408x dated 02/09/2013
- Technical data sheet Type 418, Reference N° uk418 dated 02/12/2013
- Technical data sheet Type 418D, Reference N° uk418D dated 02/09/2013
- Technical data sheet Type 418F, Reference N° uk418F dated 02/02/2011
- Technical data sheet Type 418V, Reference N° uk418v dated 02/09/2013
- Technical data sheet Type 508, Reference N° uk508 dated 02/09/2013
- Technical data sheet Type 508F, Reference N° uk508f dated 30/11/2009

*No departure from the above documents shall be made without the prior consent of the Society. The manufacturer must inform the Society of any modification or changes to these documents and drawings.*

## **3. TEST REPORTS**

Not required.

## **4. APPLICATION / LIMITATION**

4.1 May be used for the following services on board:

- Ballast and bilge, sea water and fresh water, compressed air, domestic and sanitary systems.

4.2 The valves belong to Class II and Class III according to the relevant requirements stated in NR 467, Part C, Chapter 1, Sec 10 of the Bureau Veritas Rules.

4.3 The material is to be selected according to the nature of the fluid to be conveyed, taking into account the service conditions indicated in the manufacturer's catalogue for each type.

4.4 The use of ordinary cast iron and stainless steel is restricted as per BUREAU VERITAS rules.

4.5 The valves are not to be used where their deterioration, in case of fire, would risk to jeopardize the subdivision integrity or the safety of the ship.

4.6 The non-return valves are not to be used as shipside valves.

## **5. PRODUCTION SURVEY REQUIREMENTS**

5.1 The products are to be supplied by SOCLA SAS in compliance with the type and the requirements described in this certificate.

5.2 This type of product is within the category IBV of Bureau Veritas Rule Note NR320.

5.3 BV product certificate is required.

5.4 Bureau Veritas Certificates are required for materials of valve housings of Class II ( $DN \geq 100$ ). Materials of valve housings of Class II ( $DN < 100$ ) and for other parts of Class II are to be provided with Work's certificates.

5.5 Each valve housing for Class II is to be hydraulically pressure tested to 1.5 times the design pressure.

SOCLA SAS has declared to Bureau Veritas the following production site:

**SOCLA SAS: 365 Rue du Lieutenant Putier,  
BP 10273 CHALON SUR SAONE CEDEX,  
71530 VIREY LE GRAND  
FRANCE**

## **6. MARKING OF PRODUCT**

The product shall be marked with at least:

- Manufacturer's name or logo
- Type designation and size
- Max. working pressure
- Society's brand as relevant

**7. OTHERS**

It is SOCLA SAS's responsibility to inform shipbuilders or their sub-contractors of the proper methods of fitting, use and general maintenance of the approved equipment and the conditions of this approval.

*This certificate supersedes the Type Approval Certificate N° 01328/10 BV issued by the Society.*

\*\*\* END OF CERTIFICATE \*\*\*

## Produktdetaljer

<b>Anvendelse</b>	Hindre tilbakeslag i overvanns- og avløpsledninger. (Ikke drikkevann da klaffen i ventilen er belagt med NBR gummi)		
<b>Type</b>	Type 405		
<b>Merkenavn</b>	Socla		
<b>Komponenter</b>	Ventil		
<b>Produsent</b>	Soci�t� des Clapets (Socla), Frankrike		
<b>Trykk Rating</b>	DN ≤ 150: PFA 16 Bar DN > 150: PFA 10 Bar		
<b>Temperatur</b>	Min.: -10°C, Max. 70°C		
<b>Standarder</b>	CE Conformity Directive 2014/68/UE, Flange drilling according to EN 1092-2, EN558-1 series 48		
<b>Godkjenninger /</b>	BVERITAS	01328-11 BV	Vedlegg 1



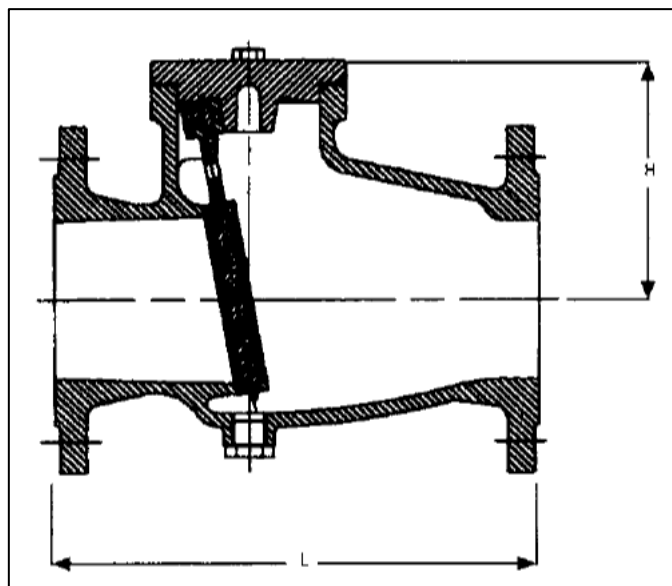
## Innholdsfortegnelse

1. Applikasjon og Spesielle Funksjoner ..... 2
2. Komponenter ..... 4

## 1. Applikasjon og Spesielle Funksjoner

- Fullt og glatt gjennomløp muliggjør at ventilen kan brukes til alle typer vann, også overvanns- og avløpsledninger
- Lavt trykktap da klaffen løftes helt opp ved gjennomstrømning som gir fullt gjennomløp
- Vinklet klaff imot setet som sikrer stenging
- Alle metalleder er korrosjonsbelagt
- Inspeksjonsdeksel forenkler demontering
- Ventilen er designet med dreneringsplugg
- Klaffen kan løftes vha. Eksterne skruer om nødvendig

DN	PFA [Bar]	PN Flenser [Bar]	Kategori	L [mm]	B [mm]	H [mm]	Vekt [kg]	NRF
65	16	10/16	I	240	185	122	13	5551551
80	16	10/16	I	260	200	140	16	5551552
100	16	10/16	I	300	220	152	26	5551553
125	16	10/16	I	350	250	162	34	5551554
150	10	10/16	I	400	285	180	45	5551555
200	10	10	I	500	340	205	57	5551556
250	10	10	I	600	405	255	92	5551557
300	10	10	I	700	460	293	137	5551558

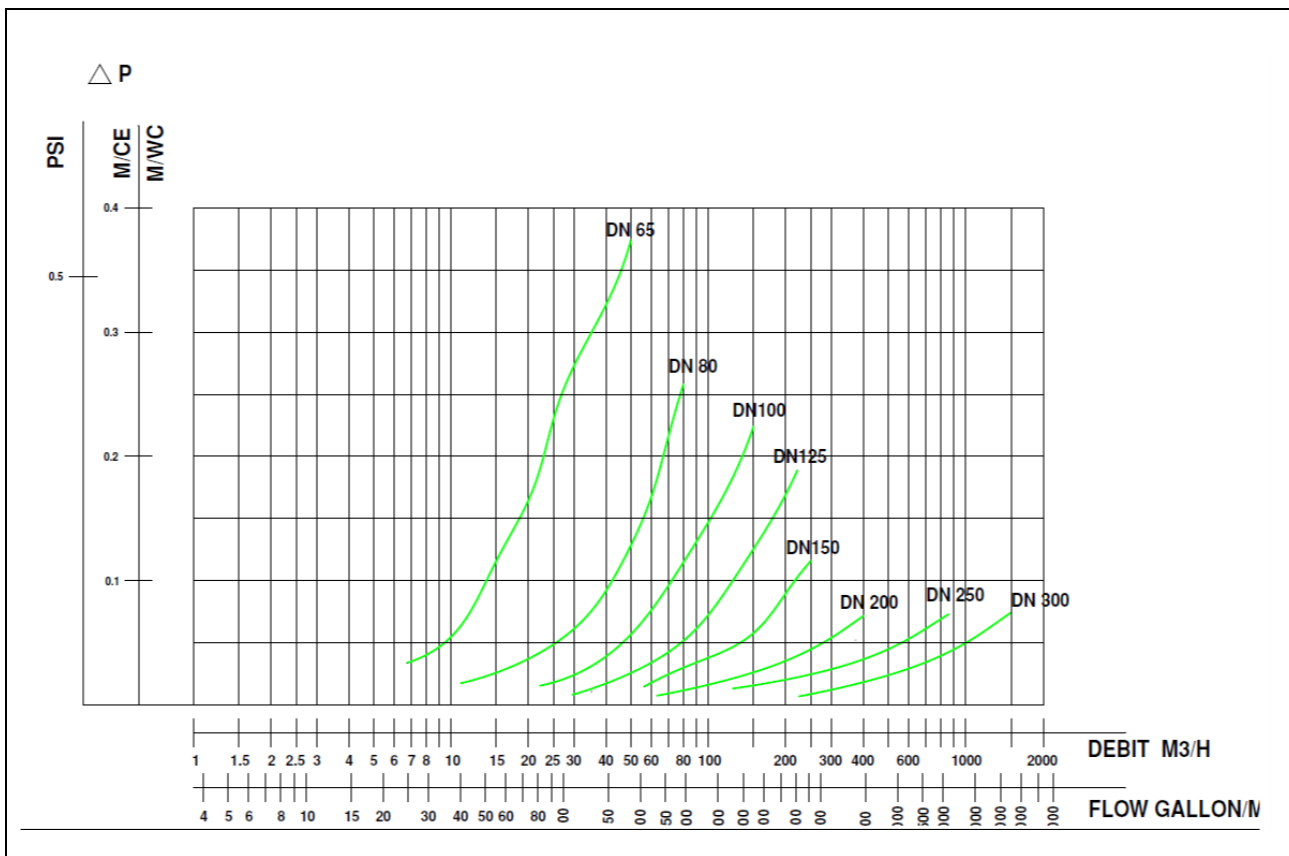


DN [mm]	Åpningstrykk, mm/WC	Kv [m <sup>3</sup> /H]	Tapsfaktor, K
65	Tilnærmet 0	225,00	0,56
80		493,00	0,27
100		622,00	0,41
125		1093,00	0,33
150		1749,0	0,26
200		3467,00	0,21
250			
300			

Ventil i horisontal posisjon med dekselet pekende oppover, eller i vertikal posisjon

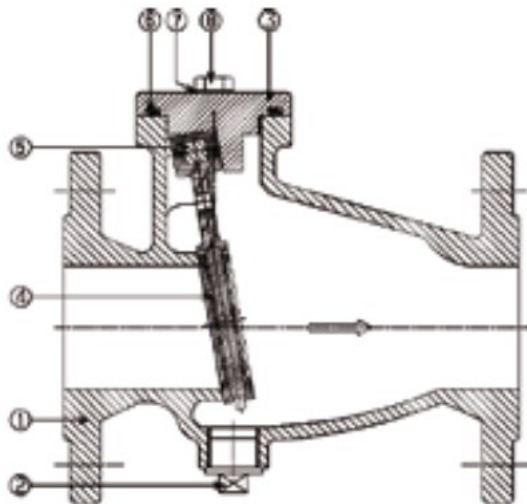
Temperaturområde: Min. -10°C, Max. 70°C

Heltrukne linjer: Ventil i fullstendig åpen posisjon



## 2. Komponenter

Nr.	Beskrivelse	Materiale	Euro	ANSI
1	Foringsrør	Duktilt Støpejern + Epoxy	EN-GJS-400.15	ASTM A 536 65-45-12
2	Dreneringsplugg	Messing	CuZn39Pb3	
3	Deksel	Duktilt Støpejern + Epoxy	EN-GJS-400.15	ASTM A 536 65-45-12
4	Plate	NBR Belegg	X5CrNi18-10	AISI 304
5	Spindel	Messing	CuZn39Pb3	
6	Tettepakning	NBR		
7	Skive	Rustfritt Stål	GX5CrNi19-10	AISI 304
8	Skruebolt og Mutter	Rustfritt Stål	GX5CrNi19-10	AISI 304



Belegg: Epoxy, tykkelse 80 – 150 µm.