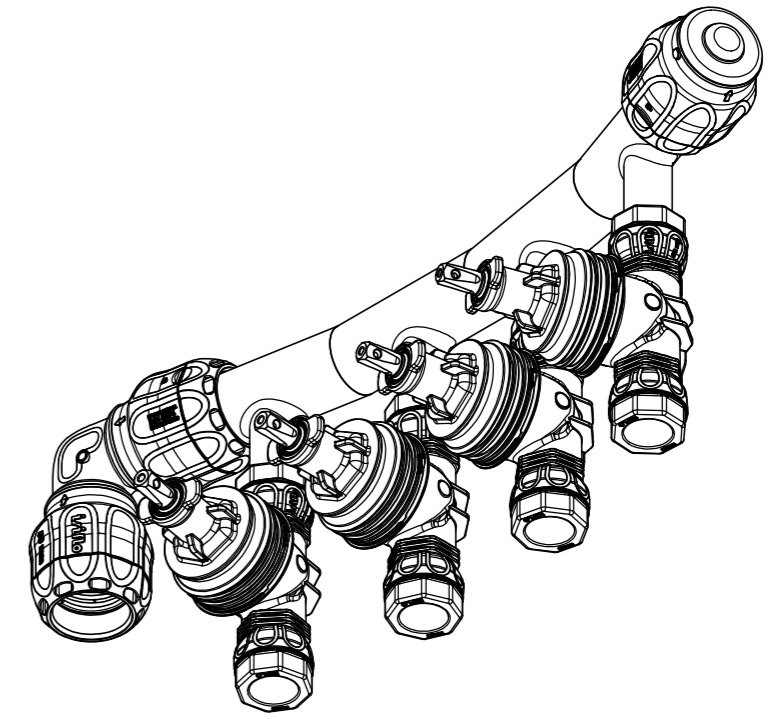
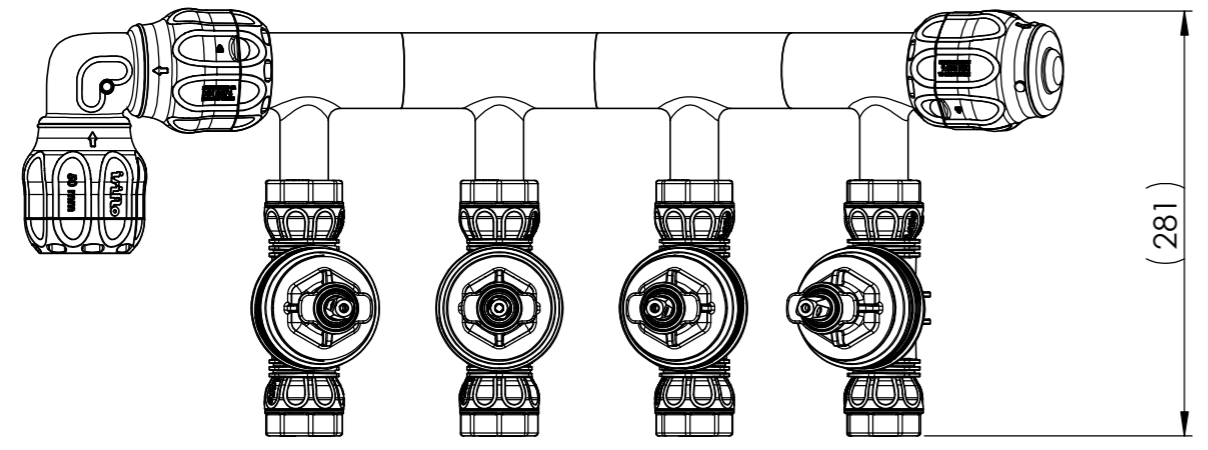
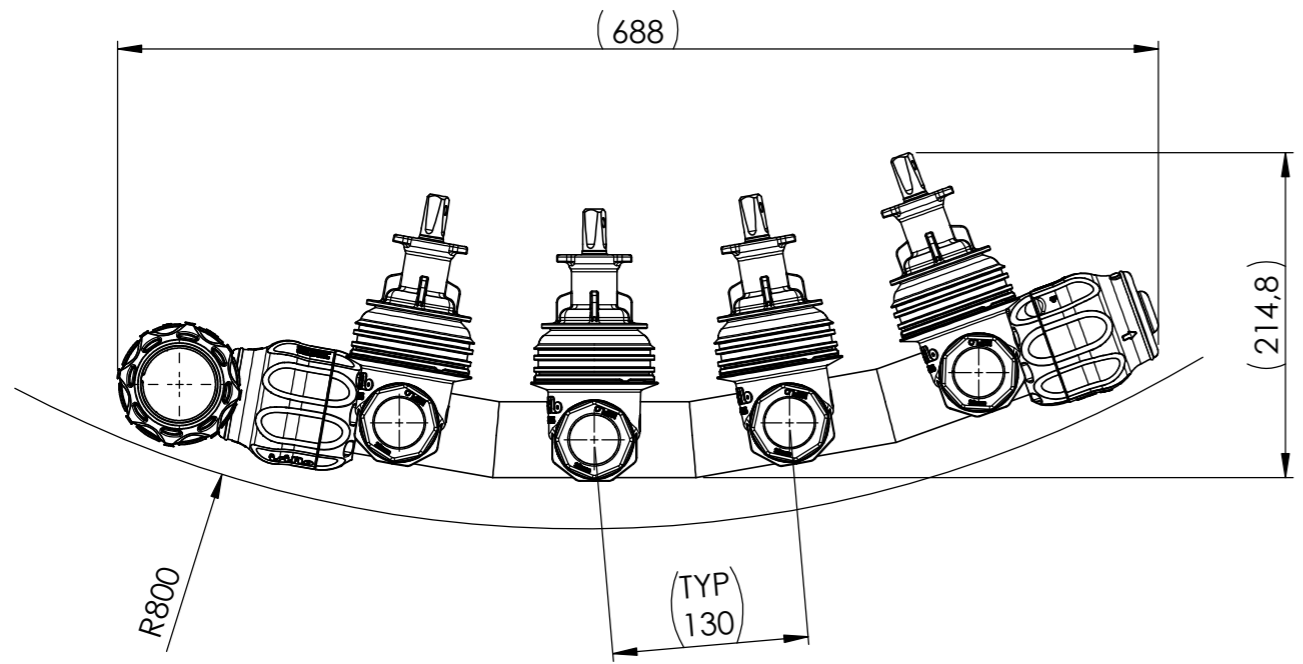



REV.	DESCRIPTION	ECO (Y/N)	REVISION BY / DATE	APPROVED BY / DATE
-	Prototype drawing. Not for production!		JSB / 22.03.04	AMU / 22.03.04



TOTAL WEIGHT ASSEMBLY [g]: 7322.48		NOTE:	
CAD: 	GENERAL TOLERANCE	SCALE	FINISH
		1:5	
DESIGNER / DATE		Jonas Solhaug Bossum / 22.04.08	
PART & DIMENSION:		ARTICLE / DRAWING NUMBER:	
Type 250 Manifold Ø1600 - 4 valves		Type 251 måltegnig	
PRODUCT GROUP:		REFERENCE DRAWING:	SHEET 1 OF 1
Isiflo ECO LINE			A3

This drawing is property of ISIFLO AS.
 The right to use this drawing /
 description belongs to ISIFLO AS.
 The drawing must not be copied,
 distributed or submitted to persons
 not concerned.

