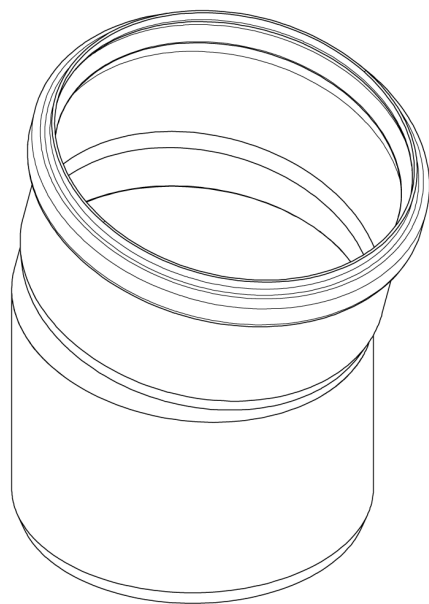
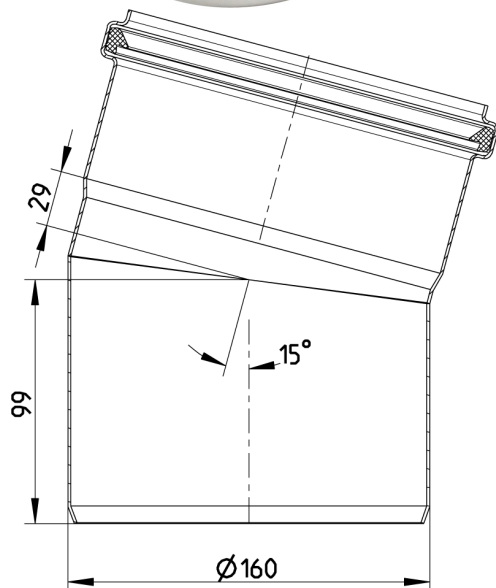


BEND 15°, Ø160MM  
 - Syrefast stål: AISI316L/EN1.4404



Type nr.: 820.015.160 S  
 EAN nr.: 5705499401196  
 VVS nr.: 160209460  
 RSK nr.: 1550300  
 NRF nr.: 2170767  
 LVI nr.: 0250585

Type: Bend  
 Utløpsdia. (mm): 160  
 Vinkel (°): 15  
 Vekt (kg): 1,08  
 Materiale: AISI 316L  
 Materiale: EN 1.4404



### Godkjenninger

ABS - 04-LD472768/3  
 Achilles - 25316-17  
 AUS - WMKT00204 - 18  
 Bureau Veritas - 02375-G0  
 DE - LGA Certificate 57214035 a  
 DK - VA 2.12/19349-16  
 DK - VA 2.12/19350-16  
 DNV - TAP0000023-rev1  
 FR - DTA 14/12-1811\*V1 EuroPipe  
 Lloyds Register 92-00041 (E6)  
 MARINE - R4547 NATO CODIFICATION SYSTEM  
 NO - 0692-12  
 PL - Hygenic Certificate - All products  
 RINA - MAC128714XG EuroPipe  
 RS - 14.10112.262  
 RU - 1682258  
 SE - SITAC 4423/90  
 UK - BBA 86-1751 EuroPipe  
 UR - 1055745  
 US - IAPMO File No.3247-16