



Oras Swea

Installation and maintenance guide





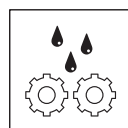
4-6



7-9



9



10-16



17



Accepterad
monteringsanvisning
2021:1



1445 KIWA Sverige 1913

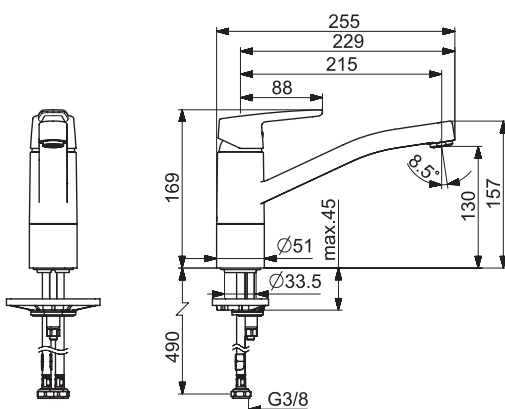


SV: Dessa blandare uppfyller kraven gällande återströmning enligt SS-EN 1717 och SäVa § 5.3 utan behov av kompletterade produkter eller åtgärder.



1530F

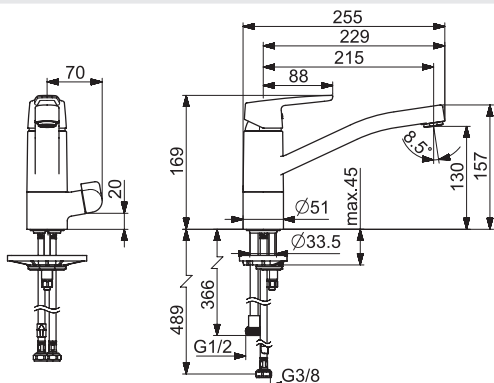
I (ISO 3822) Oras lab,
EN 817
50 - 1000 kPa
0.078 l/s (Eco)
0.13 l/s (300 kPa)
180 kPa (0.1 l/s)
max. +80°C



mpi.oras.com/1530F

1535F

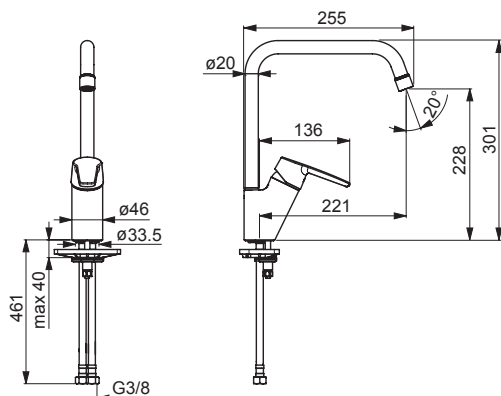
I (ISO 3822) Oras lab,
EN 817
50 - 1000 kPa
0.078 l/s (Eco)
0.13 l/s (300 kPa)
180 kPa (0.1 l/s)
max. +80°C



mpi.oras.com/1535F

1533F

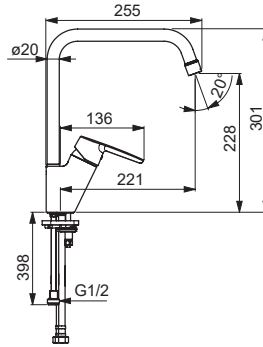
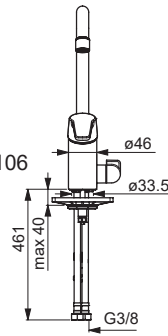
I (ISO 3822) Oras lab,
EN 817
50 - 1000 kPa
0.078 l/s (Eco)
0.13 l/s (300 kPa)
180 kPa (0.1 l/s)
max. +80°C



mpi.oras.com/1533F

1534F , 1534F-106

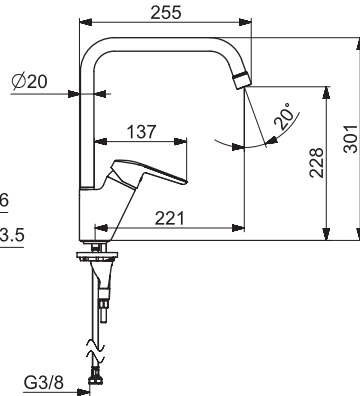
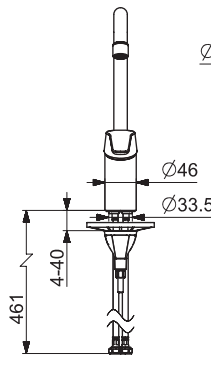
I (ISO 3822) Oras lab,
 EN 817
 50 - 1000 kPa
 0.078 l/s (Eco)
 0.07 l/s (Eco) 1534F-106
 0.13 l/s (300 kPa)
 0.09 l/s (300 kPa w/Controller) 1534F-106
 180 kPa (0.1 l/s)
 max. +80°C



mpi.oras.com/1534F

1533FL-106

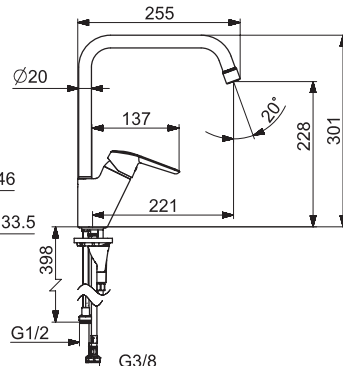
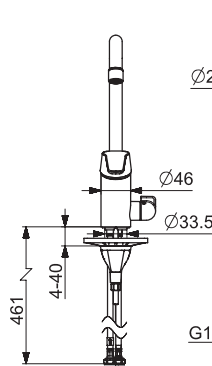
I (ISO 3822) Oras lab,
 EN 817
 50 - 1000 kPa
 0.07 l/s (Eco)
 0.09 l/s (300 kPa w/Controller)
 max. +80°C



mpi.oras.com/1533FL-106

1534FL-106

I (ISO 3822) Oras lab,
 EN 817
 50 - 1000 kPa
 0.07 l/s (Eco)
 0.09 l/s (300 kPa w/Controller)
 max. +80°C

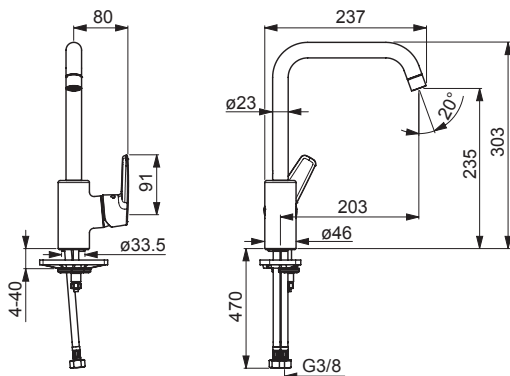


mpi.oras.com/1534FL-106



1531F

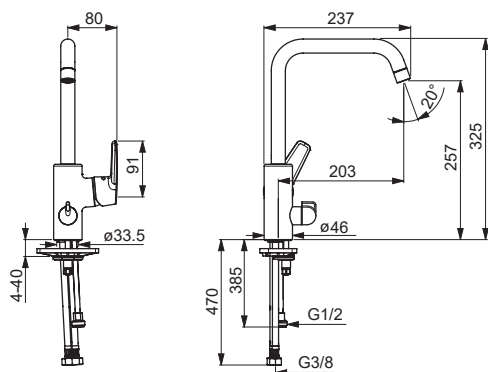
I (ISO 3822) Oras lab,
EN 817
50 - 1000 kPa
0.078 l/s (Eco)
0.13 l/s (300 kPa)
180 kPa (0.1 l/s)
max. +80°C



mpi.oras.com/1531F

1536F

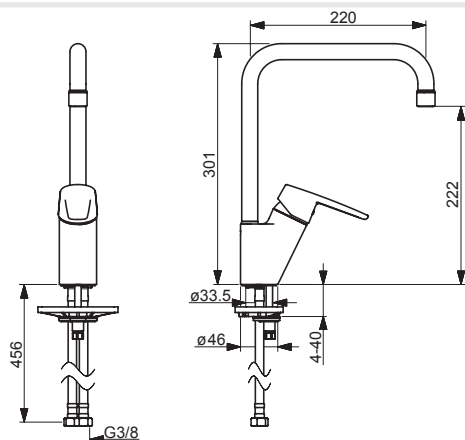
I (ISO 3822) Oras lab,
EN 817
50 - 1000 kPa
0.078 l/s (Eco)
0.13 l/s (300 kPa)
180 kPa (0.1 l/s)
max. +80°C



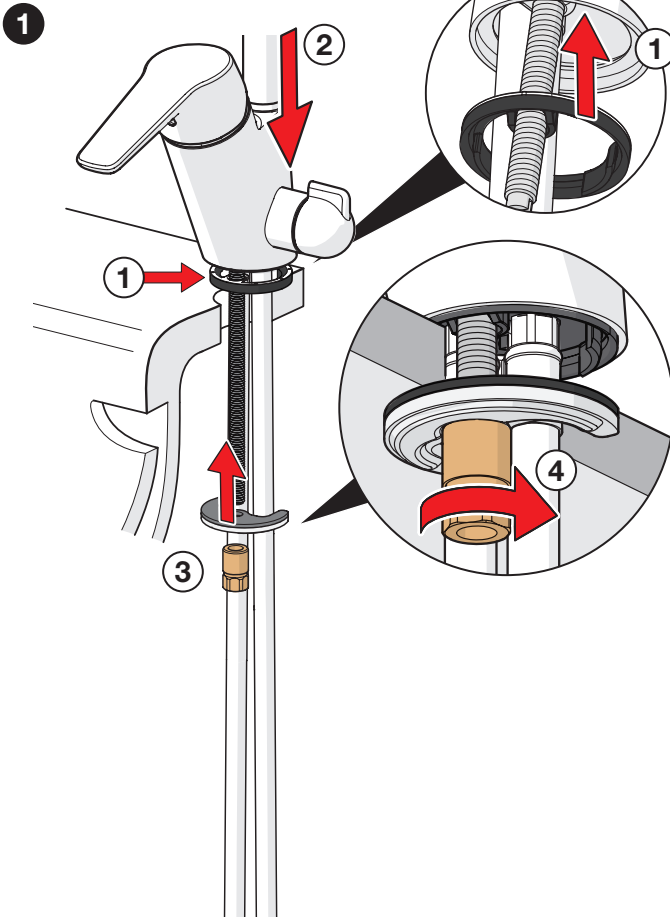
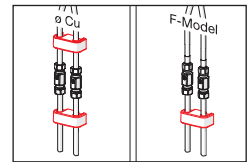
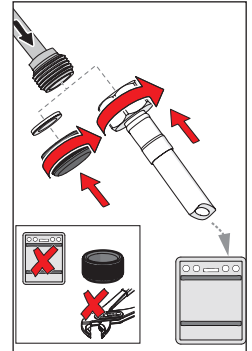
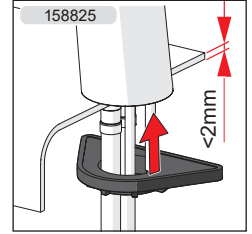
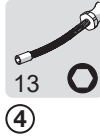
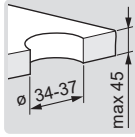
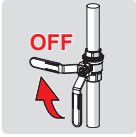
mpi.oras.com/1536F

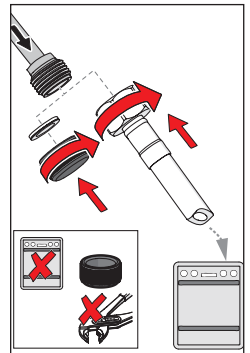
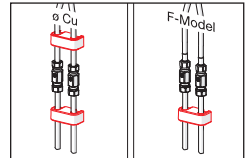
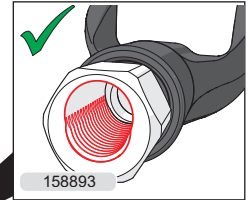
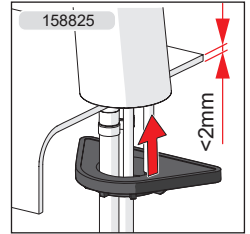
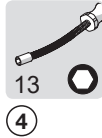
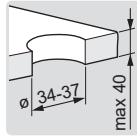
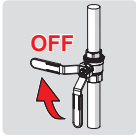
1523F

I (ISO 3822) Oras lab,
EN 817
50 - 1000 kPa
0.078 l/s (Eco)
0.13 l/s (300 kPa)
180 kPa (0.1 l/s)
max. +80°C

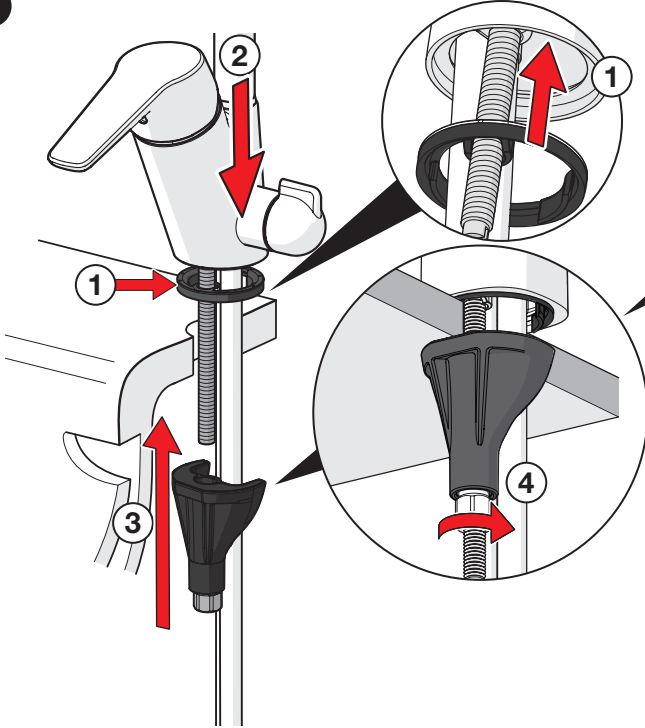


mpi.oras.com/1523F





1

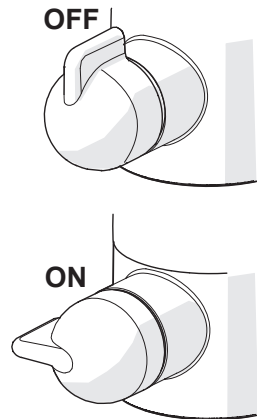
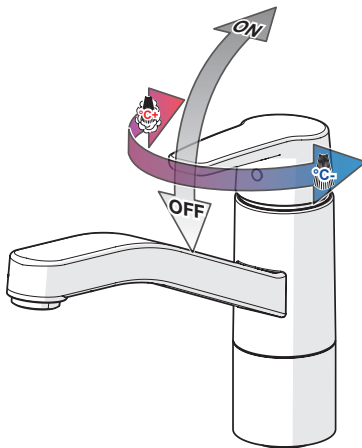
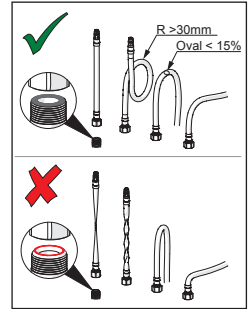
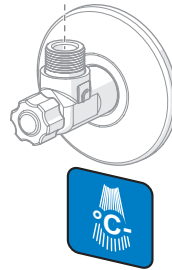
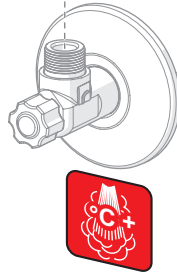
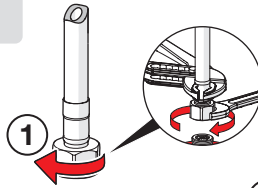


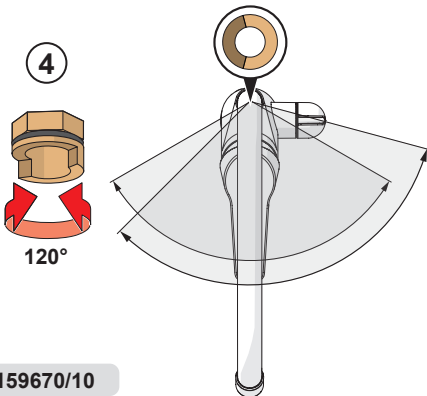
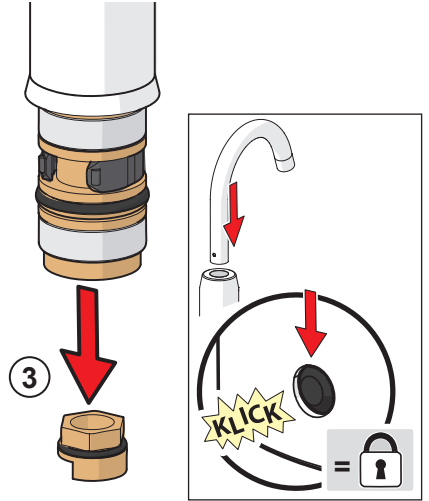
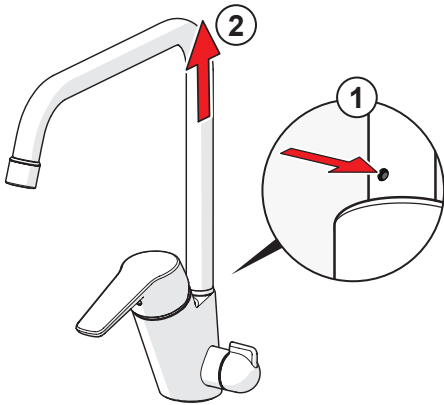
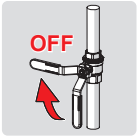


①

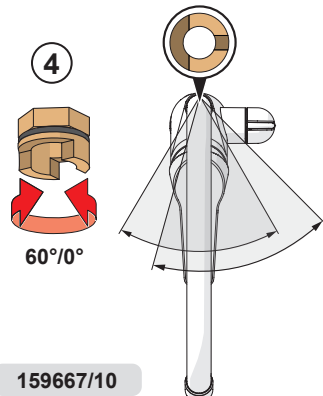


max.
1600 kPa

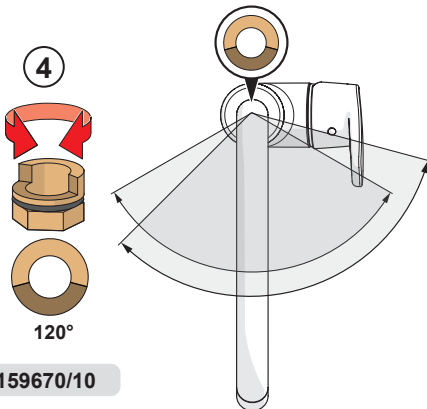
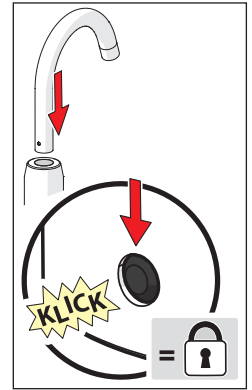
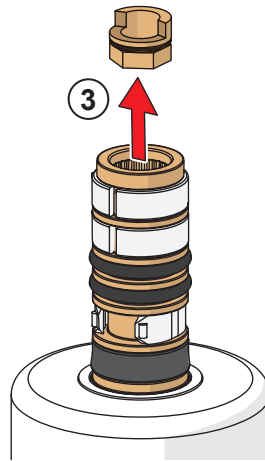
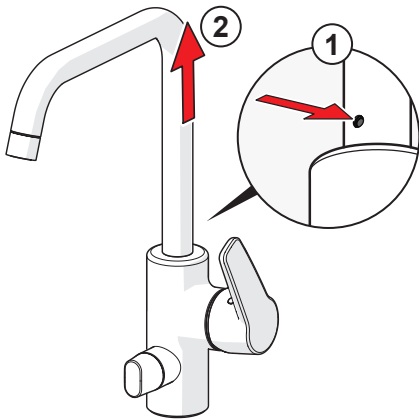
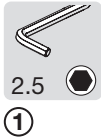
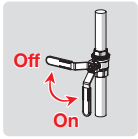




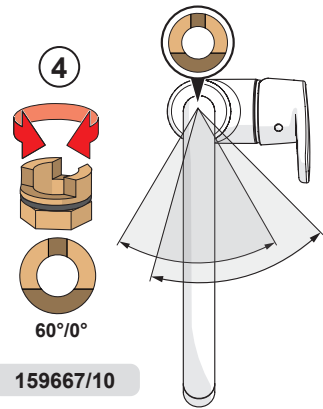
159670/10



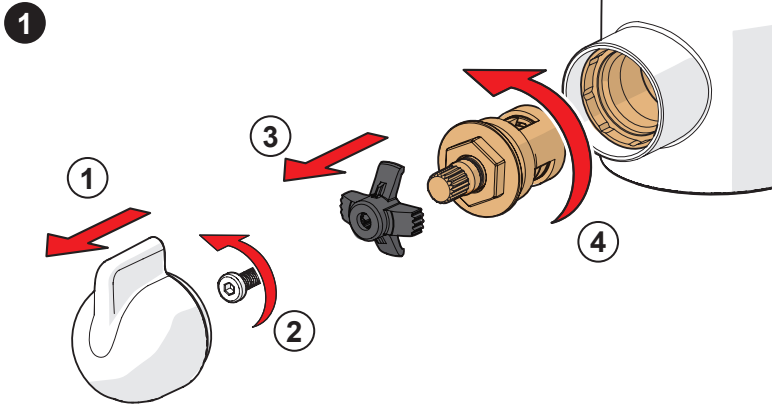
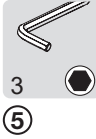
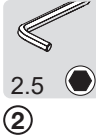
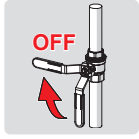
159667/10



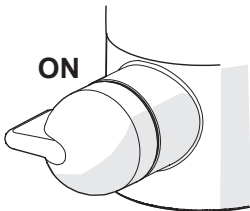
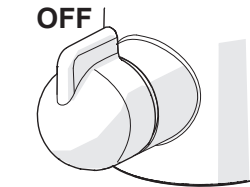
159670/10

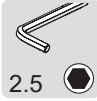


159667/10

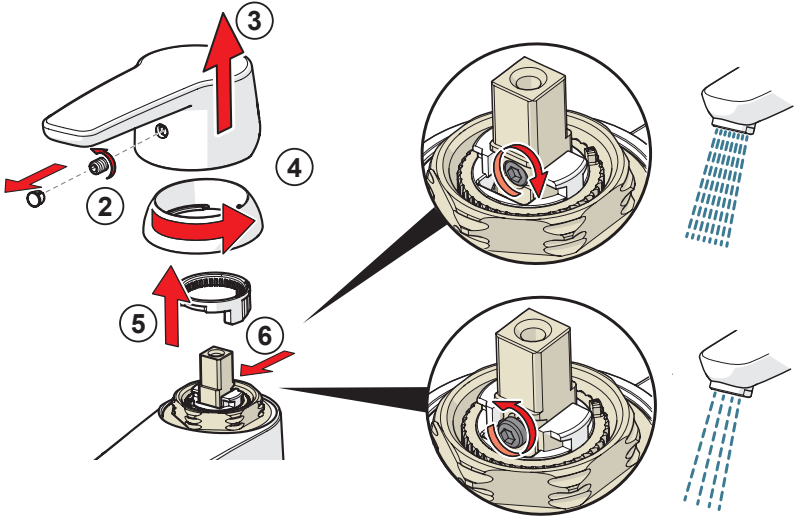


2



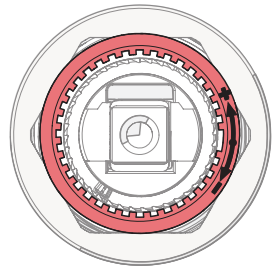
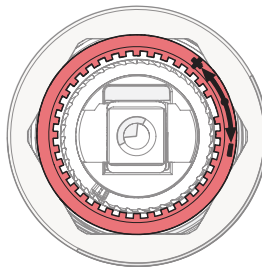
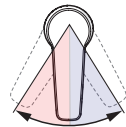
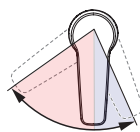
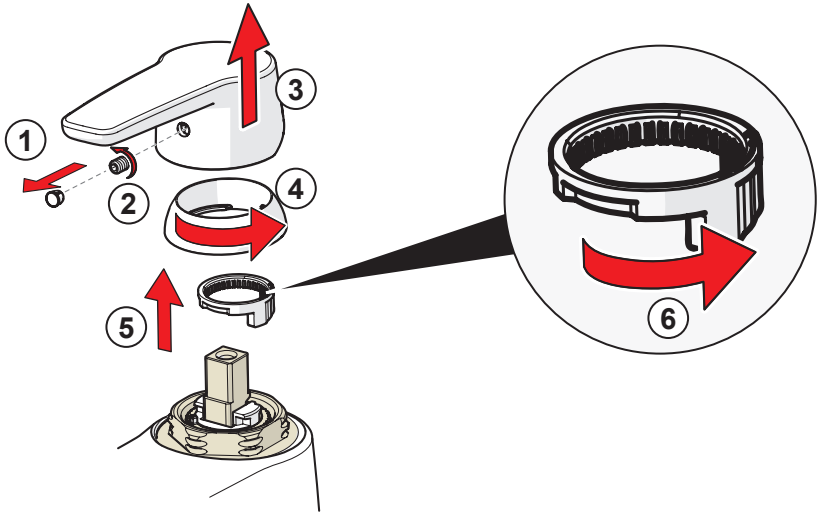


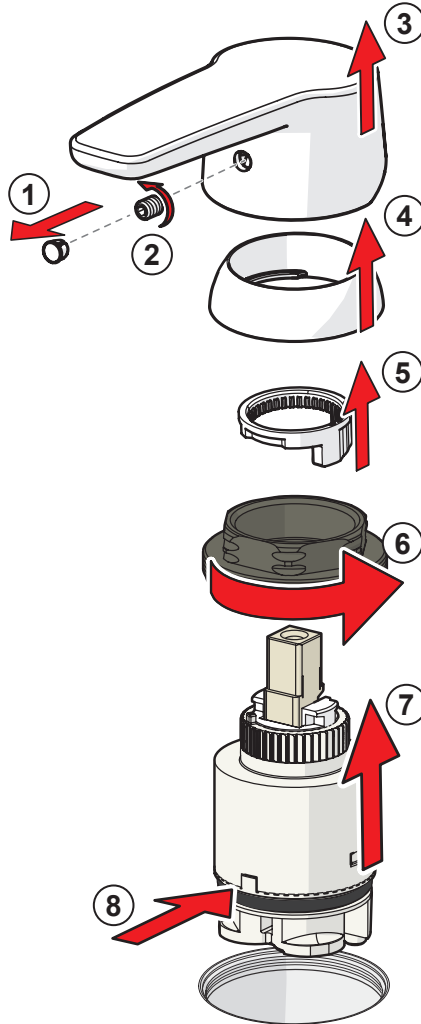
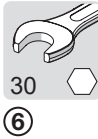
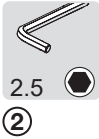
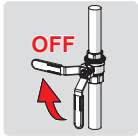
2.5
② ⑥





②







A1



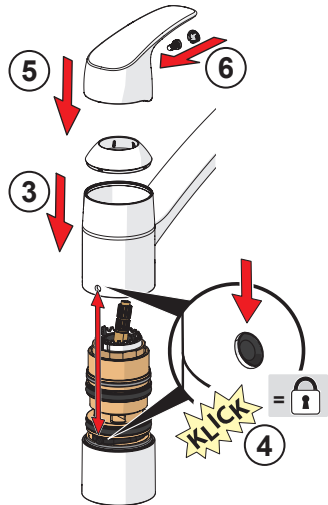
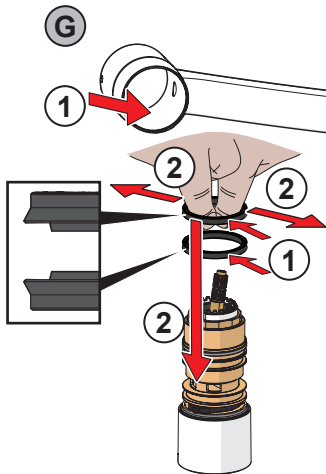
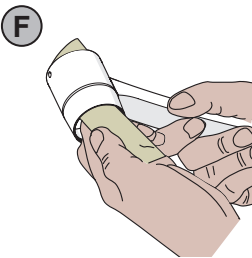
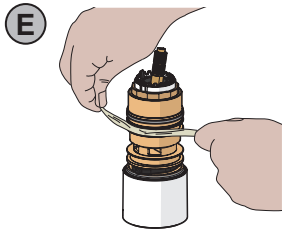
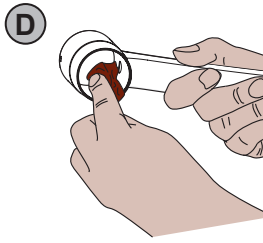
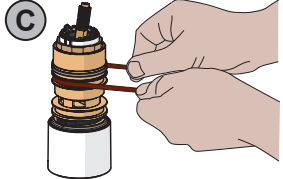
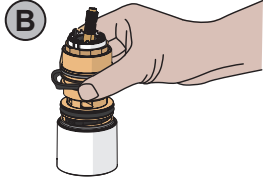
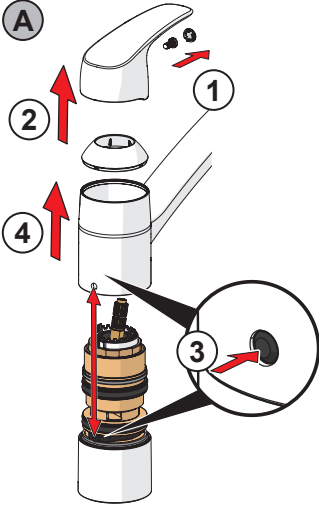
G1



G2



G6

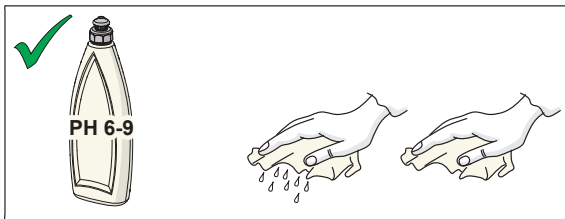
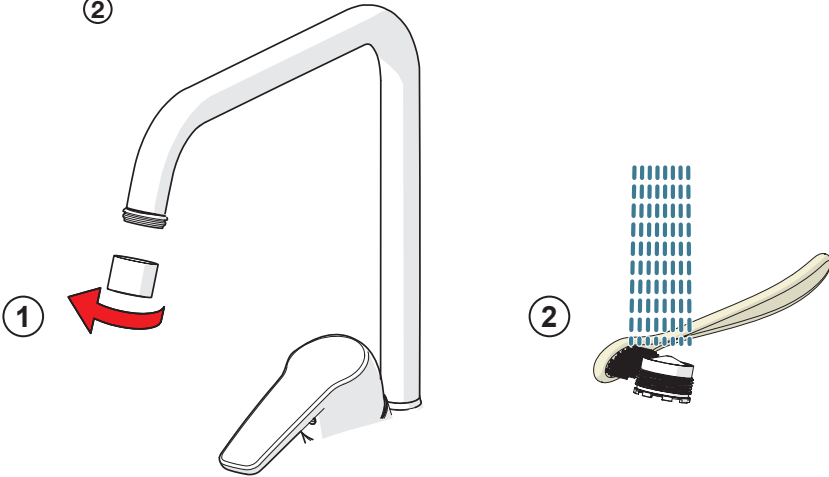




①



②



cleaning.oras.com

Oras Group is a powerful European provider of sanitary fittings: the market leader in the Nordics and a leading company in Continental Europe. The company's mission is to make the use of water easy and sustainable and its vision is to become the European leader of advanced sanitary fittings. Oras Group has two strong brands: Oras and Hansa.

The Group's head office is located in Rauma, Finland, and the Group has three manufacturing sites: Kralovice (Czech Republic), Olesno (Poland) and Rauma (Finland). Oras Group employs approximately 1,200 people in twenty countries. Oras Group is owned by Oras Invest, a family company and an industrial owner.

ORAS Ltd
Isometsäntie 2, P.O. Box 40
FI-26101 Rauma
Tel. +358 2 83 161
Fax +358 2 831 6300
info.finland@oras.com
www.oras.com



943367-09-21