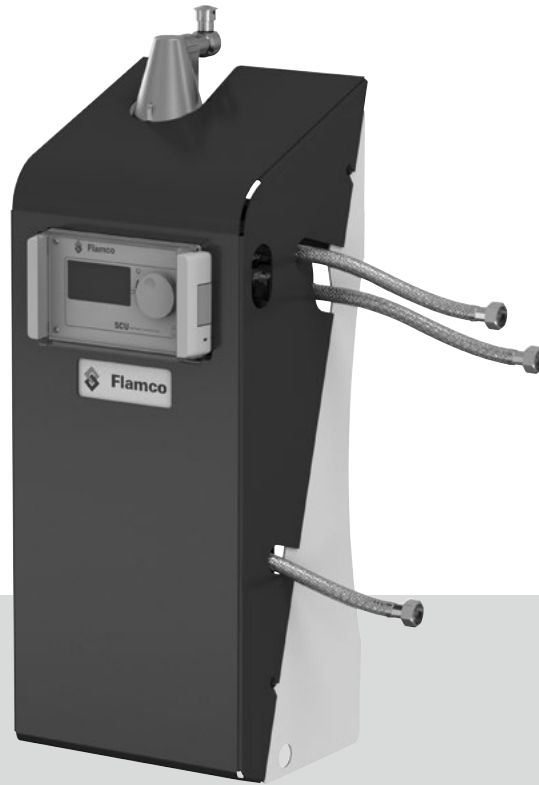




Flamco



Vacumat Basic

ENG Installation and operating instuction



1. General	6
1.1 About this manual	6
1.2 Other supplied documentation	6
1.3 Further help and information	6
2. Safety	6
2.1 Intended use	6
2.2 Important information	6
2.3 Signs in this manual	6
2.4 Safety devices	6
2.4.1 Avoiding excessive pressure	6
2.4.2 Avoiding excessive temperature	7
2.5 Signs on the automat	7
3. Description	8
3.1 Component overview	8
3.2 Controller SCU	8
3.3 Working principle	9
3.3.1 Deaeration	9
3.3.2 Make-up operation	9
4. Transport and storage	10
4.1 Transport	10
4.2 Storage	10
5. Installation	11
5.1 Prepare for installation	11
5.2 Ambient conditions	11
5.3 Mounting dimensions	11
5.4 Hydraulic installation	12
5.5 Electrical installation	12
5.6 Basic electrical connections	13
6. Startup controller	14
6.1 Controller menu structure	14
6.2 Menu symbols	14
6.3 Operating principle of controls	15
6.4 Controller inputs	16
7. Commissioning	17
7.1 Commissioning Vacumat Basic	17
7.2 Parameterisation for commissioning	17
8. Items of the hardware and parameter menu	18
8.1 Operating modes	18
8.1.1 Fast/Turbo	18
8.1.2 Normal	18
8.1.3 Hand	18
8.2 Pressure control mode	18
8.2.1 Level-controlled [%]	18
8.2.2 Pressure-controlled [P]	18
8.2.3 Filling off	18
8.3 Monitoring	18
8.3.1 Make-up quantity (monitoring)	19
8.3.2 Pressure monitoring	19
8.3.3 Monitoring of quantity of water to be treated	19
9. Menu descriptions	20
9.1 Hardware menu	20
9.2 Parameter menu	21
9.3 Service menu	22
10. Examples	23
10.1 Vacumat Basic with NFE and a diaphragm expansion vessel in a heating system	23
11. Maintenance and troubleshooting	24
11.1 Before maintenance	24
11.2 After a power failure	24
11.3 Maintenance interval	24
11.4 Change the automat for water treatment	24
11.5 Error messages	25
12. Disposal	27
13. Technical specifications	28
13.1 Additional accessories	28
13.1.1 Pressurisation Unit type NFE 1...(3)	28
13.1.2 Vacumat Basic Floor Console	28



1. General

1.1 About this manual

This manual includes technical specifications, instructions and explanations that helps to use this automat safely. Read and understand all the instructions before you transport, install, commission, restart, operate or maintain the automat.

1.2 Other supplied documentation

General information of additional components, such as the pump and the sensors, is included in this manual. If additional documentation is supplied, also follow the instructions in those.

1.3 Further help and information

Contact your local supplier for additional services as:

- Training.
- Maintenance agreements.
- Service contracts.
- Repairs and improvements.

2. Safety

2.1 Intended use

The automat is designed for deaerating and feeding make-up water in closed heating and in cooling water systems. The automat is not designed for the initial filling or re-filling of systems.

2.2 Important information

The automat has safety devices intended to prevent injury and damage. Use the automat in the following way:

- Have the installation be carried out by qualified personnel.
- Comply with local legislation and guidelines.
- Do not make modifications to the automat without prior written permission of Flamco.
- Make sure that all automat covers and doors are closed when operating the automat.
- Do not touch live voltage. The sensor units and the capacity pressure sensors operate with extra low safety voltage.

Flamco shall not be liable for any losses arising from the non-observance of safety conditions or as a consequence of the disregard of standard precautionary measures when performing such services as transport, installation, commissioning, re-starting, operation, maintenance, testing and repair, even in the event that these are not expressly described in these instructions.

2.3 Signs in this manual



Identifies a hazard that could lead to personal injury including death/damage to the automat, damage to other equipment and/or environmental pollution.



Identifies an electric hazard that could lead to personal injury including death/ damage to the automat, damage to other equipment and/or environmental pollution.



Earthing



Important information.

2.4 Safety devices

The automat does not contain any safety components that prevent that the operation pressure and the operation temperature range are exceeded or go below a limit. Install components for the limitation of pressure and temperature in the system.

2.4.1 Avoiding excessive pressure

Appropriate safety valves that prevent that the maximum operation pressure is exceeded:

- Open not later than the maximum allowable working pressure is reached.
- Can conduct the occurring volume flow (including the maximum possible refilling volume) up to the 1.1-fold of the maximum operation pressure;
- Have a proven reliability or are certified.



Do not narrow the inlet or outlet piping of the safety valve.

2.4.2 Avoiding excessive temperature

Appropriate safety components:

- Guarantee that the operation temperature range is not exceeded at any point of the system;
- Are approved and tested on operation safety.



Activate the pressure and temperature safety devices and check them regular on proper working.

2.5 Signs on the automat

The signs on the automat are part of the safety provisions. Do not cover or remove the signs. Inspect regularly if the signs are present and legible. Replace or repair signs that are illegible or damaged.

	Typ: Vacumat Basic Type: Vacumat Basic Type:	Serien-Nr.: Serial No.: 0000000000000 N° de Série: Volgnummer:	Schutzart: IP 54 Protection: Bescherming:
	Flamco B.V.; Amersfoortseweg 9; 3751 LJ Bunschoten; Nederland 00000000000000 00000000000000		
Nominale spannung: Nominal voltage: Tension nominale: Nominale spanning:	1x 230 V 50/60 Hz	Zulässige Medien-Temperatur min. / max.: Permissible media temperature min. / max.: Température de média min. / max. admissible: Toelastbare temperatuur media:	3 / 90 °C
Nennstrom: Nominal current: Courant nominal: Nominale stroom:	2,85 A	Zulässiger Betriebsüberdruck: Permissible working overpressure: Surpression de service admissible: Toelastbare werkdruk:	-1/10 bar
Nennleistung: Nominal power: Puissance assignée: Nominale vermogen:	0,4 kW	Zulässige Umgebungstemperatur min. / max.: Permissible ambient temperature min. / max.: Température de ambiante min. / max. admissible: Toelastbare omgevingstemperatuur min. / max.:	3 / 45 °C
		Herstelljahr: Year of manufacture: Année de fabrication: Jaar van vervaardiging:	20xx

A
B
D
C
E

On the type plate the following product information can be found:

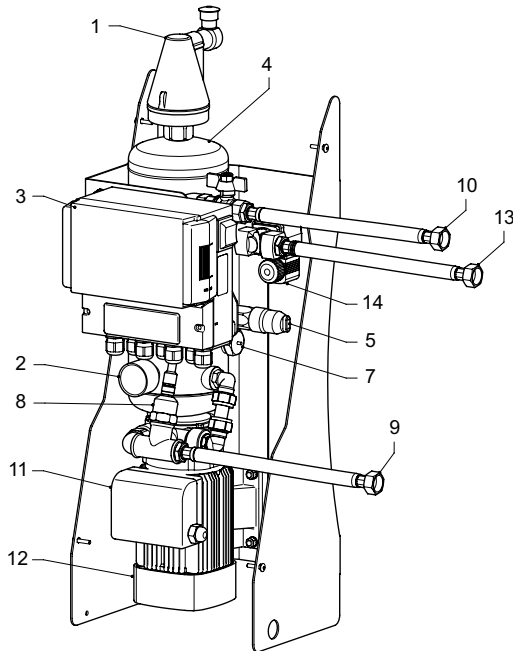
- A Automat type (Vacumat Basic)
- B Automat serial number
- C Permissible working overpressure
- D Permissible system temperature and ambient temperature
- E Electrical specifications



Do not use the automat when the specifications on the type plate differ from the order.

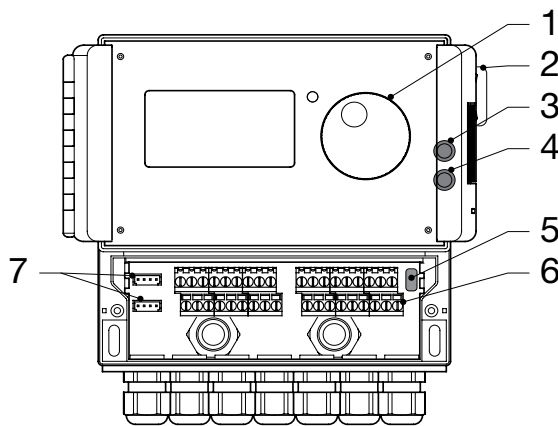


3. Description



3.1 Component overview

No.	Description
1	Air vent device
2	Pressure gauge
3	SCU controller
4	Vacuum tank
5	Vacuum pressure switch
6	Solenoid valve N.C.
7	Float switch
8	Pressure sensor
9	Connection to system G $\frac{1}{2}$ "
10	Connection from system G $\frac{1}{2}$ " (with filter)
11	Terminal box pump
12	Pump
13	Connection for refill G $\frac{1}{2}$ "

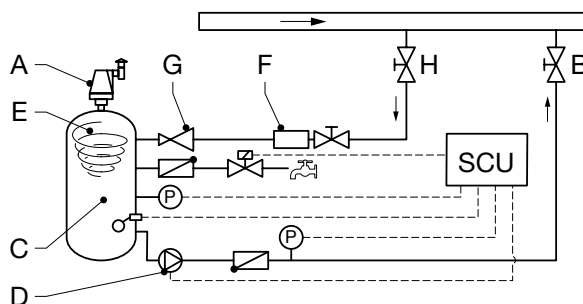


3.2 Controller SCU

No.	Description
1	Control panel for the controller, graphical display, LED for error display, selector switch (click and roll)
2	Power switch, ON: flashes red
3	Internal fuse F1: T 16 A 250 V
4	Internal fuse F2: T 3,5 A 250 V
5	Hardware release, service menu E2
6	Terminal bars for <ul style="list-style-type: none"> • Electric supply; • sensors; • Impulse water counter; • External activation for refilling process; • Collective malfunction message; • Pump.
7	Interface RS485

3.3 Working principle

The automat serves primarily as an active deaerating device. In addition as a make-up device for re-filling the water losses in a system.



3.3.1 Deaeration

For deaerating the water, the system water is drawn in via a bypass from the return line of the system (H).

The water flows through the filter (F) and the flow controller (G) in the degassing reservoir (C). When the pump (D) is running, it is exposed to the vacuum. A vortex (E) develops in the reservoir which forces the water outwards and ensures that the gas in the centre is released. As a result of the reduced pressure and the vortex this gas is extracted from the water.

When the pump switches off, the replenishing medium flowing into the tank causes the pressure in the tank to increase to the level of the system pressure so that the air which has accumulated above the water level is discharged via the Air vent device (A). While the pump is running, the water quantity supplied into the tank is returned via a bypass line to the return branch (B) of the system.

Deaeration mode (Turbo): An interval during which the pump is running (vacuum is forming) alternates with an interval during which the air is discharged (pump is stopped).

Normal deaeration mode: An additional pause is added between the end of the evacuation interval and the starting of the pump. This additional interval can be selected via a parameter within fixed limits. Upon expiry of the deaeration interval, the system changes to the normal deaeration mode, which then takes place continuously. The normal deaeration mode is interrupted by a selectable pause (by default 06.00 p.m. - 08.00 a.m.). The beginning of the next deaeration cycle taking place in the normal deaeration mode is indicated via a countdown in the process menu.

3.3.2 Make-up operation

The make-up water is supplied in a pressure-controlled or level-controlled mode. The automat is set by default to pressure-controlled refilling (if a diaphragm expansion vessel is used).

Pressure-controlled supply: The system is equipped with a pressure sensor (P) for sensing the pressure. The make-up activating pressure should be $P_o^* + 0.2$ bar. The make-up deactivating pressure must be at least 0.1 bar higher than the make-up activating pressure. The make-up water flow rate or feed time can be monitored, if the system is fitted with a litres counter. The pump (D) must be automatically stopped cyclically during pressure-controlled refilling, and the actual system pressure must be checked and, if necessary, additional water must be supplied until the make-up deactivating pressure is reached.

Level-controlled supply: In this case, make-up water is supplied as long as the external make-up request is active and the flow-rate and time monitoring feature of the automat allows making up to take place.

It is possible to deactivate the make-up function. Refer to chapter 6.

* $P_o = P \text{ Static} + P \text{ Steam}$



4. Transport and storage

4.1 Transport

The shipping papers list all the items, such as equipment and documentation. Ensure that the delivery is complete and not damaged. The automat is packed horizontally on disposable pallets and are fully assembled.

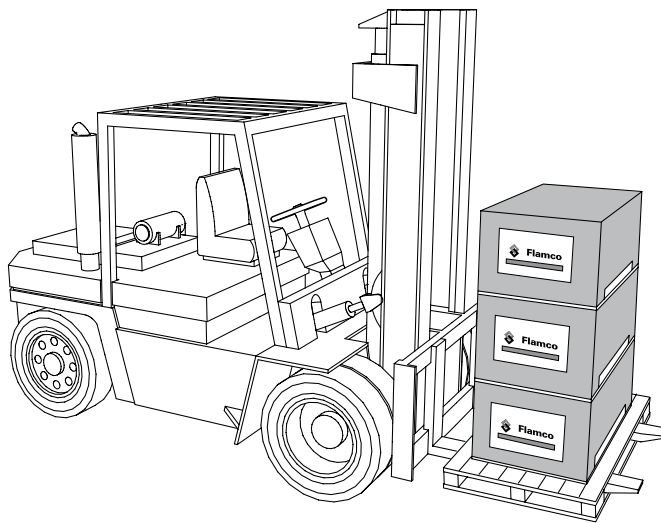


Identify the items that are missing or not correctly delivered. Read the general terms and conditions in the shipping papers.

- Transport the pallets horizontally.
- Lift the automat just slightly.



Make sure that the lifting device can support the automat. For weight and dimensions, refer to chapter 9: Technical specifications.



4.2 Storage

Make sure that the storage location complies with the environmental conditions. Refer to Chapter 6.2.

- Make sure that the floor is level.

5. Installation

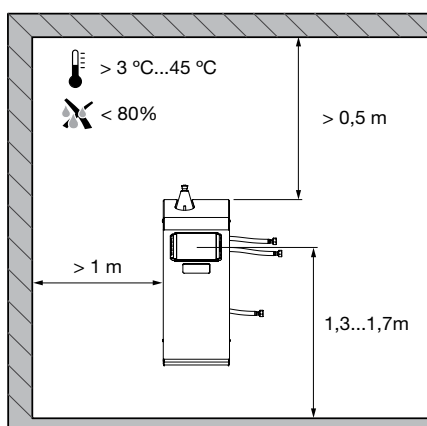
5.1 Prepare for installation



Make sure that the surface can support the maximum weight of the automat, including the water. Refer to chapter 9: Technical specifications.

- The automat may not be affected by external forces.
- No dirt may get into the automat and its accessories.
- Install shut-off devices to the drinking water net on-site.
- Plan enough free space around the automat for maintenance work.
- Note the effective regulations regarding the use and the installation location and, if necessary, inform the responsible testing and certification bodies prior to the launch of the system.

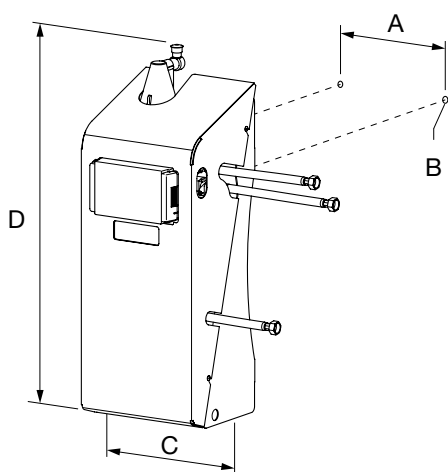
5.2. Ambient conditions



Make sure

- that the automat is level;
- that the automat is installed in a closed, dry and frost-free room;
- to maintain the minimum distances as indicated;
- that the atmosphere does not contain electrically conducting gases or high concentrations of dust and vapors. Risk of explosion when there are combustible gases;
- that the vicinity is clean and well lit.
 - Relative humidity: not condensating.
 - Free of vibrations.
 - Free from heat- and solar radiation.
- that the automat is free from additional loads.

5.3 Mounting dimensions



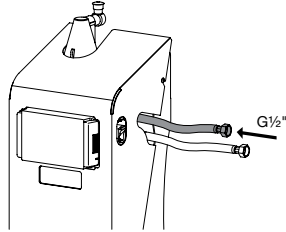
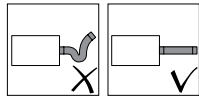
The following sizes apply for wall mounting:

- A 190 mm
- B 16 mm
- C 255 mm
- D 705 mm

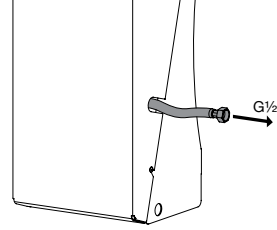
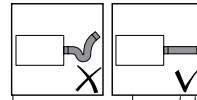


5.4 Hydraulic installation

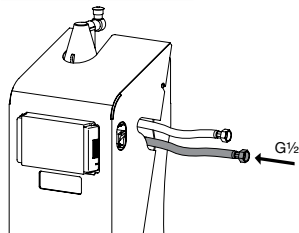
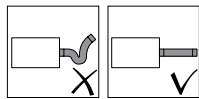
- Install the shut-off devices on-site in front of the tube joints.
- Only work on non-pressurised and cooled-down pressure joints.



- Connect the supply line of the Vacumat Basic to the return line of the system.



- Connect the return line of the Vacumat Basic to the return line of the system.

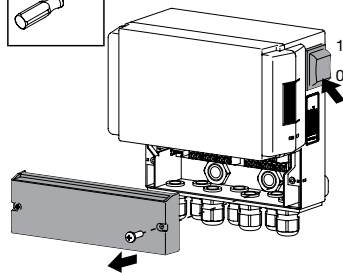
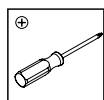


- Connect the refill of the vacumat basic to the water supply line.
- If necessary, install a dirt trap at the drinking water joint (0.2 mm).
- The minimum nominal diameter for the installation line of the system and the supply line is DN 15.

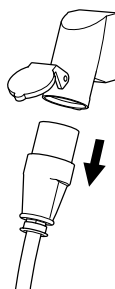


5.5 Electrical installation

There can be life voltage on the terminal bars even when the main power supply is disconnected. Make sure all external power supplies (e.g. external refill equipment) are also disconnected from the automat.



- Unscrew the protective cover of the terminal box.
- The descriptions of the terminal bars are on the inside of the protective cover.



- Switch off the power switch on the controller SCU.
- Pull the power plug or switch off external separators and secure these against a restart.

5.6 Basic electrical connections

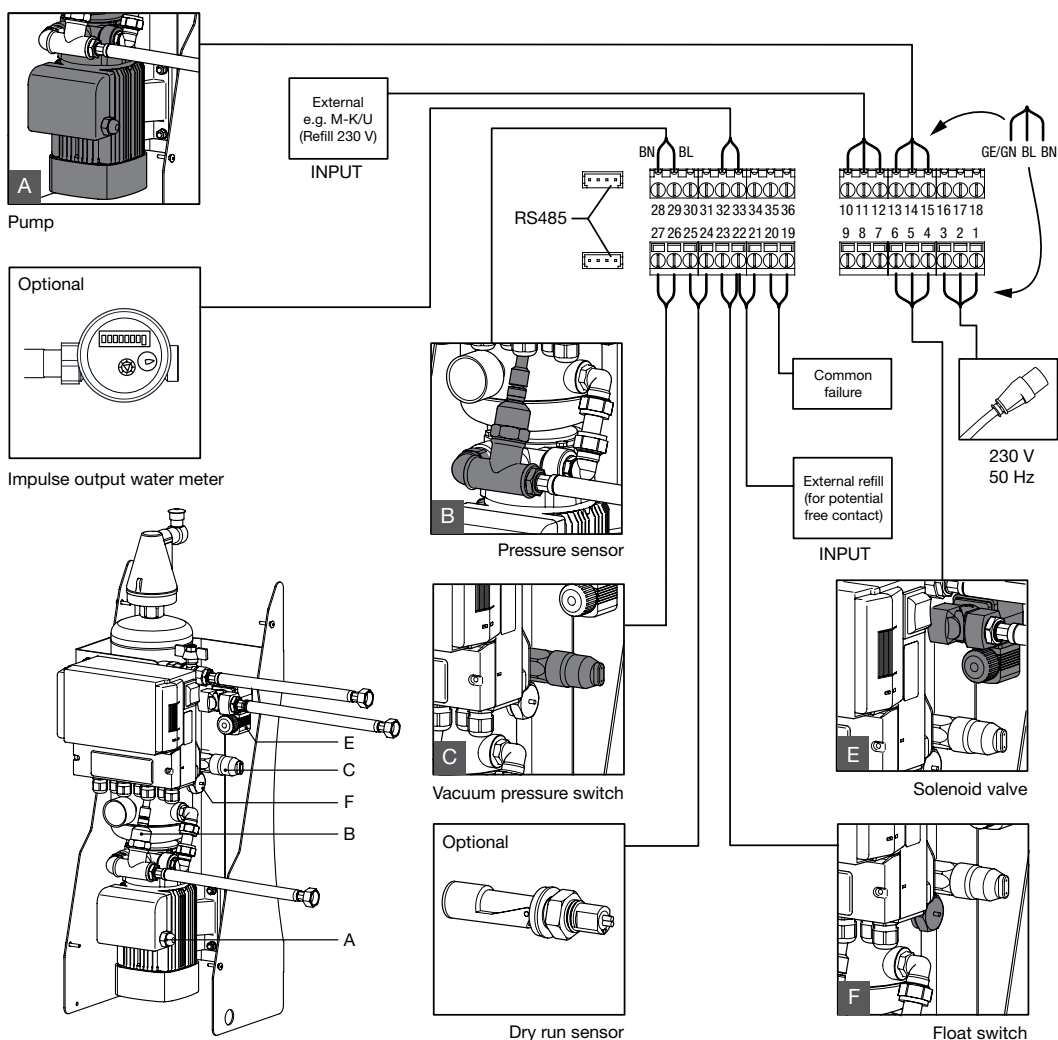
	Vacumat Basic
Rated voltage	230 V: +6%; -10%; 50 Hz: +1%; -1%
Rated current	3,4 A
Rated capacity	0,68 kW
Power circuit breaker	10 A
Protection level	IP54

SELV: Safety Extra Low Voltage

* Recommended value; Line safety switch (C).



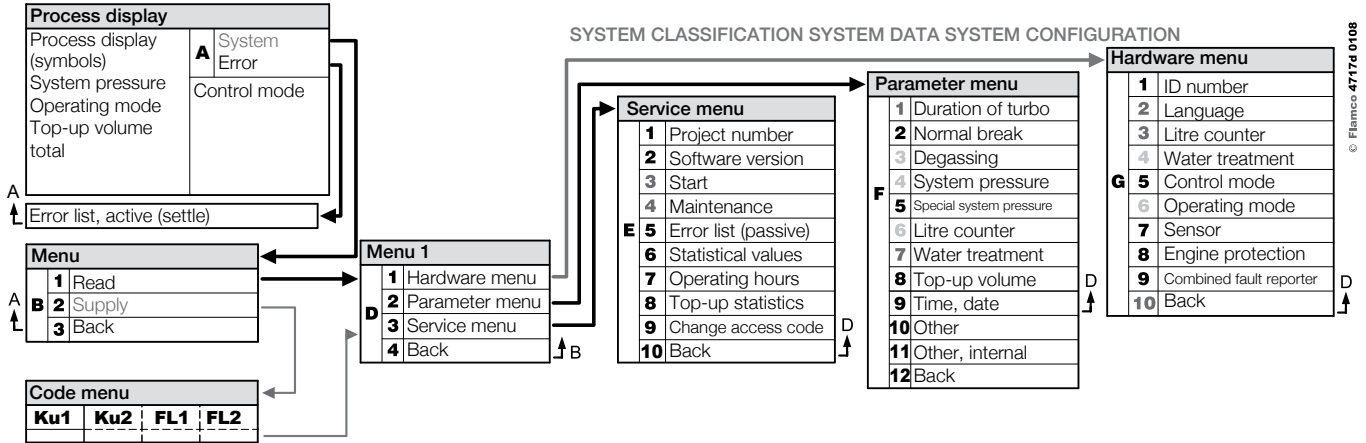
Never connect terminal 11+12 and 21+22 at the same time. It will destruct the refill the SCU controller or the pressure holding control.





6. Startup controller

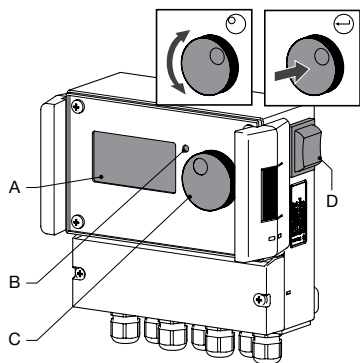
6.1 Controller menu structure



6.2 Menu symbols

	No ID number available. Controller not configured.		Pump.
	Denied, not installed. Outside parameter limits.		Entry confirmed.
	Refill is pressure controlled.		Programming mode, enter.
	Code required.		Test mode.
	Refill is level controlled.		Warning.
	No intervention possible.		Save error. Settings not saved.
	Operating mode, view only.		Wait.
	Vacuum switch.		External refill signal is connected (level controlled operation only).

6.3 Operating principle of controls

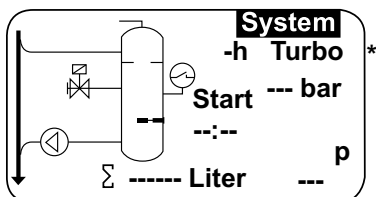
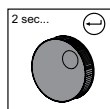


Start up

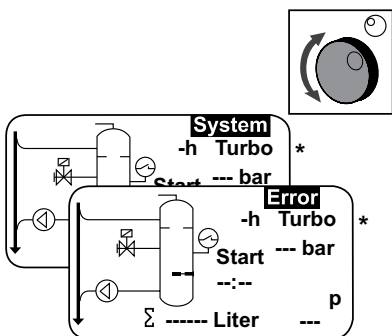
- Switch off an installed refill equipment. Close the inflow valves.
- Switch on the controller (D).

- A Display
- B Error LED
- C Navigation wheel
- D ON/OFF switch controller

Use the navigation wheel (C) to navigate through the menus and to confirm the input. The display (A) shows the menus. In case of errors the error LED (B) is on.



- Hold down the navigation wheel for two seconds to go to the process display, whatever the cursor position.

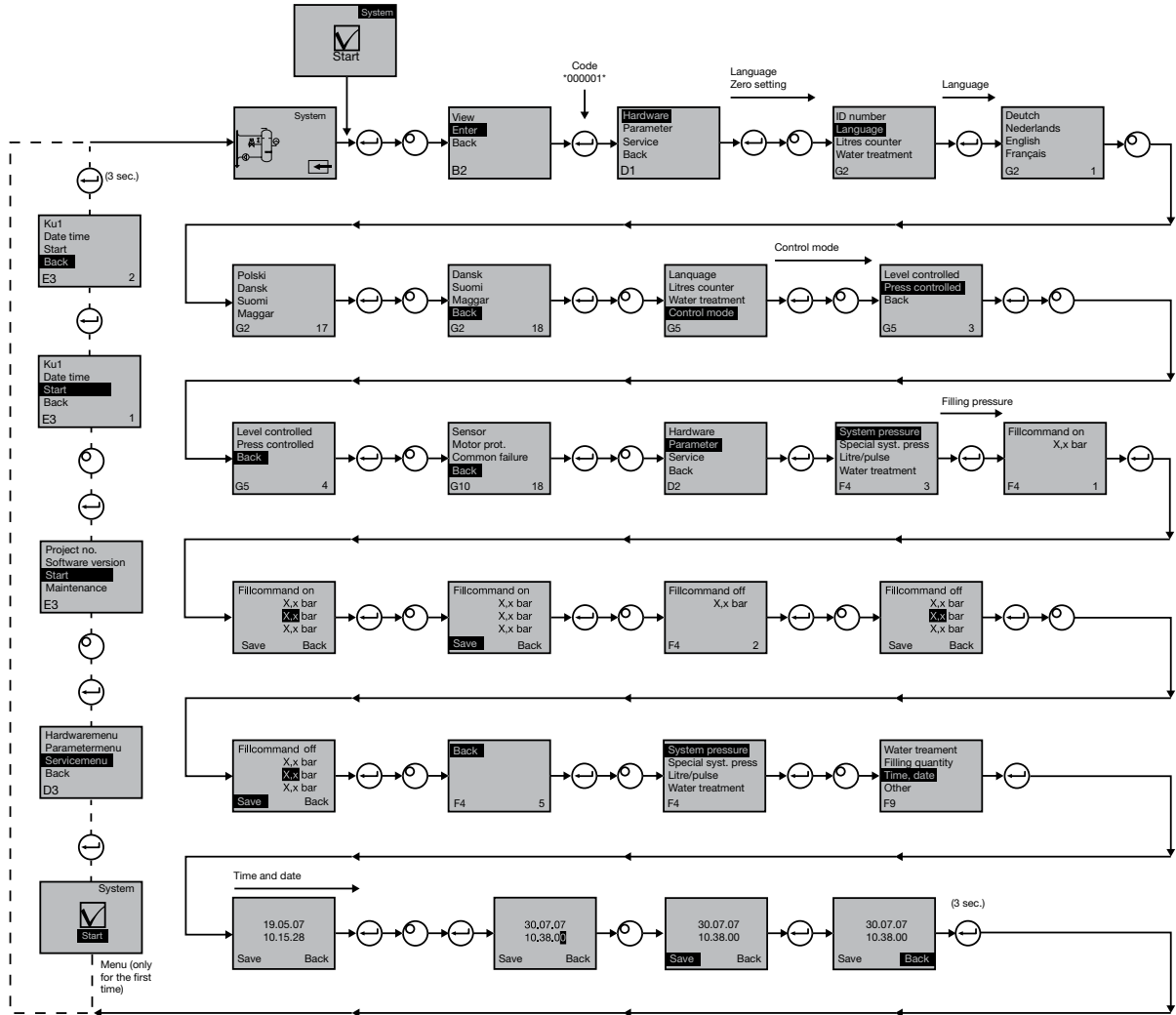


- In case of errors the process display switches from [SYSTEM] to [ERROR] and the LED is on.
- The error messages, minimum water level, minimum pressure alarm are consistent by the first start of operation.
- It is possible to turn the wheel to switch between [SYSTEM] and [ERROR].
- When [ERROR] is displayed press the wheel to go to the error list. In case of more than one error, scroll through the errors. All errors are shown in accordance of appearance.
- When [SYSTEM] is displayed, press the wheel to go to the option menu.



Flamco

6.4 Controller inputs



7. Commissioning

7.1 Commissioning Vacumat Basic

Before commissioning make sure that the unit and its items of equipment are in conformation with the regulations that apply at the place of erection and in respect of the field of application. The party erection and operating the unit will be responsible for making the checks and for carrying out commissioning.

For commissioning, the hydraulic and electric connections must be in place, and the shut-off devices open.

7.2 Parameterisation for commissioning

The Vacumat Basic comes with a pre- parameterized control. As this control offers a wide range of possibilities, you will have to set operating parameters so that they will be adapted to the concrete operating conditions of your heating/cooling system.

When the control is switched on, first 'Vacumat Basic' and after that the start screen appears on the display. Now it is possible to make a selection by turning and pressing the control knob.

Turn and press the control knob (on System, displayed against a black background) to get to the Selection menu. Select 'Entries' (code 000001) to get to the Equipment, Parameter and Service menus for carrying out parameterization. Set up the control point by point – refer to the sections with explanations on the Hardware, Parameter and Service menu.

Select 'Back' to return to or to complete menu items. For completely exiting submenus, you can also hold the control knob in the pressed state, causing the control to invoke the Process screen/START menu.

On completing the parameterization of the control, confirm/press Start to get to the Process screen. The Vacumat Basic will then commence its operation.



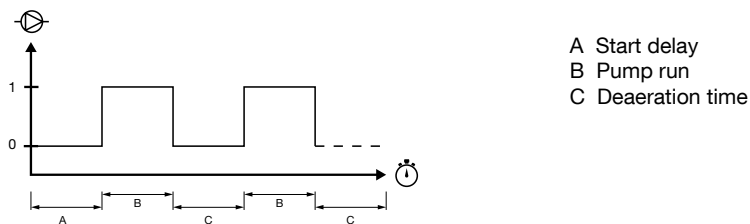
8. Items of the hardware and parameter menu

8.1 Operating modes

The operator can operate the system in the fast and normal de-aeration mode. Service personnel have also access to hand mode, and can carry out a leakage test. This leakage (vacuum) test can also be used to test the ability to operate the pump.

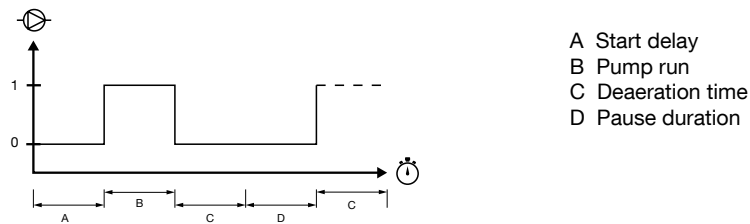
8.1.1 Fast/Turbo

Pump running (with formation of a vacuum) takes place alternately with the evacuation interval until the period of time selected for the fast mode expires. Then, the control automatically changes to normal mode.



8.1.2 Normal

The normal de-aeration mode is only automatically interrupted by a pause to avoid possible de-aeration noise during the night.



8.1.3 Hand

The hand mode is intended exclusively for maintenance purposes, i.e. for checking the operation of the pump and of the solenoid valve. The plant operator cannot access this mode.

• Vacuum test

Activation of this mode first causes the system port (at outlet of the system return line) to be closed. The pump then generates a vacuum within 5 seconds. This vacuum must be maintained for about 100 seconds to allow the user to determine that the tank is tight, following which the test is successfully completed. This test is normally carried out prior to commissioning of the system and after maintenance of the system.

8.2 Pressure control mode

8.2.1 Level-controlled [%]

Control takes place via an external floating signal or a non-floating signal (230 V). It depends on the used pressureholding control and whether a pump-controlled or compressor-controlled diaphragm expansion vessel is used. When the signal is applied, the pump switches on. The filling operation takes place until the level set on the control of the expansion vessel is reached.

8.2.2 Pressure-controlled [P]

Control takes place via the pressure sensor that is integrated in the module. When the system pressure has dropped to the activation pressure 'Fill command on', the pump switches on and operates until 'Fill command off' is reached.

In both control modes, the running time and filling quantities (if the system is equipped with a pulse water meter) are monitored. In addition to this, the pressure in the system is monitored. If the system pressure falls or rises beyond the working pressure range, an error message appears. The system activates degassing and filling until the pressure is back in the working range.

8.2.3 Filling off

The Vacuumat Basic unit operates solely as an automatic de-aeration unit.

8.3 Monitoring

It is the primary purpose of the monitoring functions to detect errors in the system at an early point of time and to protect the system components to the largest possible extent by means of appropriate signals or by automatically shutting down the system. They are particularly intended for detecting leakages at an early stage and to limit leakages.

8.3.1 Make-up quantity (monitoring)

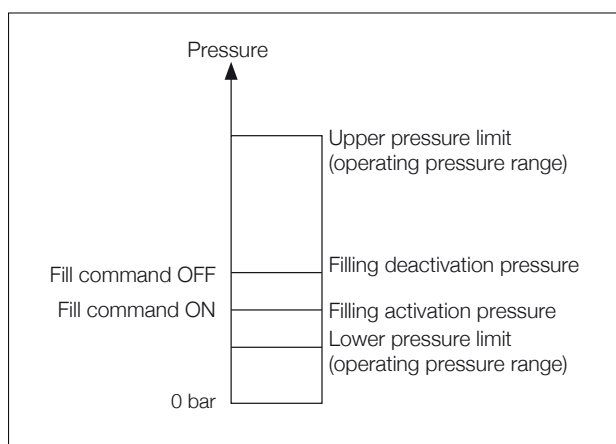
The operator can freely parameterise the make-up quantity. If the conditions described below are not satisfied, the system will indicate an error; the floating error contact will be opened until the error is manually acknowledged.

- The actual run time must not exceed a maximum time per cycle.
- The minimum interval between two cycles (pause) must not be shorter than the time programmed.
- The maximum number of cycles per time window must not exceed the number programmed in the run time window (e.g., not more than 3 cycles in the last 8 hours.)

If a litres counter (Impulse output water meter in NFE1.2/2.2) is connected and activated, the operator can monitor a maximum filling quantity per cycle instead of the maximum filling time per cycle.

8.3.2 Pressure monitoring

The maximum allowable pressure and level should not be exceeded. Therefore, pressure deviations are signalled.



Lower pressure limit (P_{min}) and Upper pressure limit (P_{max}) are set on the working pressure limits and are not adjustable by the operator. Fill command ON (P_{on}) and Fill command OFF (P_{off}) are adjustable within these limits.

8.3.3 Monitoring of quantity of water to be treated

If a water treatment module has been installed and the pulse water meter has been set to ON, the residual water quantity can be read at the lower right in the process menu. I.e.: if the residual water quantity has been correctly entered in the parameter menu 'Water treatment prior to commissioning'. If the quantity is zero litres, the centralised fault alarm will be tripped (if activated), and an error message will be initiated. Negative values mean that the permissible treated quantity (capacity) in litres has been exceeded. The Vacumat Basic continues to operate in such a case.



9. Menu descriptions

9.1 Hardware menu

ID number

Can be parameterised only by the manufacturer and service personnel.

Language

The user can choose from 18 languages. On delivery, the standard setting is English (G2).

Litres counter impulse output water meter

Set this item to ON only if a pulse water meter (litres counter) is used. The pulse water meter can be used for directly controlling and monitoring the supplied make-up water. The default setting is OFF.

Water treatment

If a water treatment module has been integrated in the make-up water branch and the litres counter has been set to ON, the residual water quantity that can be read in litres in the process menu. When a quantity of zero litres is reached, the centralised fault alarm is tripped, and an error message will be displayed. Negative values mean that the allowable treatment quantity (capacity) has been exceeded. The make-up unit continues to operate even if the centralised fault alarm has been tripped. The operator must activate the water treatment function.

Control mode

(Make-up mode) The operator can operate the system in a level-controlled (controlled from an external pressure- holding control) mode or in a pressure-controlled mode (default setting for normal gas-cushioned diaphragm expansion vessel). The operator also can deactivate the make-up function.

Operating mode

The unit is shipped from the factory with the fast mode activated. Upon expiry of the fast interval, the unit automatically switches to normal. However, the operator can change the operating mode at any time. The hand mode can be activated for servicing purposes only. Vacuum test serves for ensuring the de-aerating operation and for checking leakages in the system. This function must be used when the unit is commissioned and each time the unit is put back into service after maintenance. After the test has been completed, the unit must be switched back to the fast mode.

Sensor / Motor protection

Already been parameterised. Factory setting.

Common failure

If set to ON (item ticked), the common failure will be tripped upon the activation of the respective error message. The default setting is ON. It is possible to deactivate the following centralised fault alarms: 'Exchange module' and 'Next maintenance'.

- Exchange module: the water treatment capacity is exhausted. If it is set to ON, a centralised fault alarm will be tripped. The unit continues to operate. If set to OFF, no centralised fault alarm will be tripped.
- Next maintenance: maintenance date has been reached. If it is set to ON, the centralised fault alarm will be tripped and the unit continues to operate. If set to OFF, no centralised fault alarm will be tripped.

9.2 Parameter menu

Item	Factory setting
Duration of turbo	
- Remaining fast run time up to automatic change to normal mode	10 hours
Pause normal degaz	
- Duration of pause between end of evacuation time and beginning of pump run	15 minutes
- Pause ON (beginning of night pause)	00:00 h
- Pause OFF (end of night pause)	00:00 h
Degassing	
- Pump run time	30 seconds
- De-aeration time	30 seconds
System pressure	
- pON: depending on the system type	1,5 bar
- pOFF: depending on the system type	2,0 bar
- Lower pressure limit (lower working pressure limit)	0,8 bar
- Upper pressure limit (upper working pressure limit)	3,0 bar
- Special system pressure (irrelevant for the operator)	Factory setting
Litres counter	
- Litre/pulse: pulse water meter (can be set only by service personnel)	10 litre/pulse
- Error litres counter: monitoring of delay of cycle of litres counter	40 minutes
Water treatment	100 litres
- Treatment capacity in case of integrated water softening module	100 litres

Filling quantity:

Based on a continually referenced preceding period of time (time window), the unit allows using a certain number of filling cycles that are separated by pauses from one another. Cycles, pauses and time windows (time spending) can be freely parameterised.

Example: (default setting)

In the last 480 minutes (time spending) the make-up water quantity per cycle must not exceed 50 litres. Moreover, it is not permissible to supply this quantity during this time more than three times, and the pauses between the cycles must be 5 minutes at a minimum.

Item	Factory setting
Max. quantity/filling	
- Maximum allowable quantity per cycle (also per cycle) with integrated and configured pulse water meter. See section Monitoring: make-up quantity	150 litres
Max. time/filling	
- Maximum allowable make-up time per cycle (also per cycle). See section Monitoring: monitoring of run time	20 minutes
Min. interval betw. 2 cycles	
- Minimum interval between two cycles (pause)	5.0 minutes
Max. cycles/time spend	
- Maximum number of cycles per time window	3
Time spending	
- Size of time window	480 minutes

Note that the values in the filling quantity menu are interdependent. Therefore, it may be necessary to first parameterise another value before the actual value becomes accessible within the intended limits. Similarly, setting ranges may be limited by the dependencies. It is advisable, for instance, to first parameterise a sufficiently sized time window before defining the pauses and the number and length of cycles.



Item	Factory setting
Time and date	Operator task
- Summer time on: starting month (summer time ON is 00 for regions without change between times)	03
- Summer time off: ending month (summer time OFF=00 for regions without change between times)	10
- Maintenance gap: maintenance interval 0 .. 800 days	365 days
- Pressure sensor min.value	~ 0.0 bar
- Pressure sensor max.value	~ 10.0 bar

9.3 Service menu

Project number

Factory settings; not be programmed by the operator.

Software version

Readable entry made by manufacturer.

Start

Enter the time and date of the start (traceability) by pressing Start. Before pressing, the date and time must have been correctly set.

Maintenance

The date of the next maintenance is indicated in parentheses. When this time is reached, the centralised fault alarm is optionally tripped, and a fault message is displayed to remind the operator. If it is acknowledged, it will be displayed again after seven days unless 'Maintenance done' has been pressed, thus indicating that the maintenance has already been carried out. The time and date of the last maintenance as well as the code level are indicated in the upper two lines.

Error list

Shows the last acknowledged 250 errors together with time and date.

Value statistics

Display of various statistic data.

Refill statistics

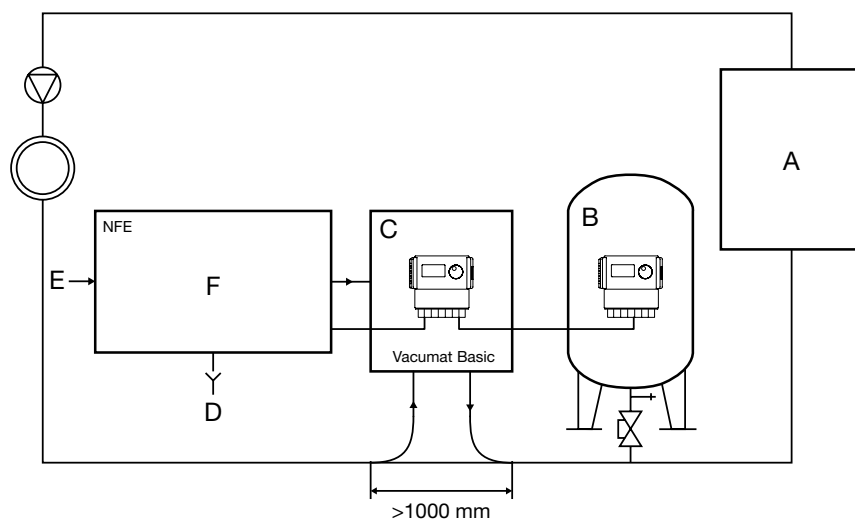
Display of the last 200 make-up operations together with date, time and duration of the make-up operations and the number of litres supplied (if a pulse water meter is used). The number of supplied litres displayed may be zero, although water has been fed into the system, if the make-up quantity was smaller than the pulse rate of the pulse water meter. Similarly, the actual quantity of water supplied may be smaller than the value registered by the pulse water meter.

Change entry code

Change to another access code. For the operator, only code 000001 is possible and required.

10. Examples

10.1 Vacumat Basic with NFE and a diaphragm expansion vessel in a heating system



- A Heater
- B Expansion vessel with membrane or compressor expansion system
- C Vacumat Basic
- D Waste water (Drain)
- E Make-up water inlet
- F NFE 1.1

**Do not use nominal bores smaller than indicated for the lengths of the lines concerned!
The lines should be as short as possible!**

- DN15 < 10 m
- DN20 < 20 m
- DN25 < 30 m

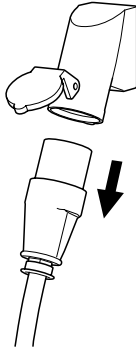


11. Maintenance and troubleshooting

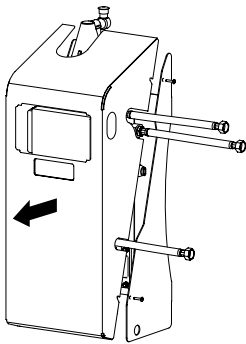


- The water and the contact surfaces can be 70 °C or more.
- Wear the required protective clothing.
- The floor can be wet or greasy. Wear protective shoes.

11.1 Before maintenance



There can be life voltage on the terminal bars even when the main power supply is disconnected. Make sure all external power supplies (e.g. external refill equipment) are also disconnected from the automat.



Remove the cover (A) in order to reach the internal components.

Release the pressure of vacuum tank before maintenance.

11.2 After a power failure

The programmed parameters of the controller do not change after a power failure.



- Check the condition of the automat for integrity after a power failure.

11.3 Maintenance interval

Confirm maintenance in the service menu.

Interval	Component	Activity
Annually	Vacumat Basic	Check leak tightness of joints, pumps and screw connections. If necessary, seal or tighten the screw connections.
Every year before the peak period	On-site dirt trap in the feed line Vent. device	Clean the guards Check the functions Vacuum test

11.4 Change the automat for water treatment

- Switch off water treatment in the hardware menu and change the module.
- Adjust the capacity in the parameter menu.
- Switch on “water treatment” in the hardware menu.

11.5 Error messages

Nr.	Message	Description	Reset	Possible cause	Troubleshooting
1	Pressure too low	System pressure too low, is outside working pressure	B	<ul style="list-style-type: none"> Leakage Pressure-holding value wrongly set Wrong admission pressure Filling pressure too low 	<ul style="list-style-type: none"> Eliminate leakage Set correct pressure-holding value Increase filling pressure up to working pressure range
2	Pressure too high	System pressure too high, is outside working pressure range	B	<ul style="list-style-type: none"> Pump does not switch off Diaphragm expansion vessel too small/ wrong admission pressure Filling pressure too high 	<ul style="list-style-type: none"> Check control Check admission pressure / use larger diaphragm expansion vessel Lower filling pressure to working pressure range
3	Entrycap. too low	Litres counter does not supply water after make-up request	A	<ul style="list-style-type: none"> No pulses sent from litres counter, because: <ul style="list-style-type: none"> litres counter defective cable not connected setting value too low for litres counter response time 	<ul style="list-style-type: none"> Replace litres counter Connect cable Use higher setting value for response time
5	Cycle interval	Make-up cycle interval too short	A	<ul style="list-style-type: none"> Leakage in system False setting value 	<ul style="list-style-type: none"> Eliminate leakage
6	Nr. of cycles	Maximum number of cycles within time window exceeded	A	<ul style="list-style-type: none"> Leakage in system False setting value 	<ul style="list-style-type: none"> Eliminate leakage Program correct settings
7	Fill error	Filling without request (litres counter sends signal without filling)	A	<ul style="list-style-type: none"> Leakage Solenoid valve don't close/defectiv 	<ul style="list-style-type: none"> Eliminate leakage Replace solenoid valve
8	Quantity limit	Maximum quantity in a make-up cycle exceeded	A	<ul style="list-style-type: none"> Leakage Setting value for flow rate reduction too low 	<ul style="list-style-type: none"> Eliminate leakage Correct the setting value
9	Runtime protection	Maximum time of make-up cycle exceeded	A	<ul style="list-style-type: none"> Leakage Setting value for flow rate reduction too low Pump doesn't deliver 	<ul style="list-style-type: none"> Eliminate leakage Correct the setting value Deaerate pump
10	Exchange module	Softening module exhausted	A	<ul style="list-style-type: none"> Module capacity (water treatment) exhausted 	<ul style="list-style-type: none"> Replace module
11	Low mA P-sensor	Interruption of current loop of pressure	A	<ul style="list-style-type: none"> Sensor defective Terminal/cable defective 	<ul style="list-style-type: none"> Replace sensor Check/exchange terminal/ cabling
12	High mA P-sensor	Short-circuit in current loop of pressure sensor	A	<ul style="list-style-type: none"> Sensor defective Terminal/cable defective Short circuit 	<ul style="list-style-type: none"> Replace sensor Check/exchange terminal/ cabling
13	Vacuum error	3 times in succession insufficient vacuum for deaeration	A	<ul style="list-style-type: none"> Temperature in return branch higher than 70 °C Pump does not operate continuously Leakage in Vacumat Basic Vent. device doesn't close 	<ul style="list-style-type: none"> Take steps for ensuring return temperatures below 70°C! Replace pump Locate leakage in Vacumat Basic Clean or replace vent. Device
14	Level switch error	Low level	A	<ul style="list-style-type: none"> Vent. device defective Strainer / inlet protected Valves closed 	<ul style="list-style-type: none"> Clean or replace vent. Device Clean strainer Open valves
18	Next maintenance	Next maintenance due	A	<ul style="list-style-type: none"> Maintenance date reached 	<ul style="list-style-type: none"> Carry out maintenance and enter „Maintenance done“ (Service menu)
19	TP motor	Motor protection signal (bimetal contact of pump) is active (open)	A	<ul style="list-style-type: none"> Pump overheated 	<ul style="list-style-type: none"> Check temperatures Check free running pump
20	Voltage sensor	Sensor voltage too low	B	<ul style="list-style-type: none"> Printed circuit board defective 	<ul style="list-style-type: none"> Replace control unit



Nr.	Message	Description	Reset	Possible cause	Troubleshooting
21	No date/time	RTC has no valid time information	A	<ul style="list-style-type: none">• Time setting has got lost after prolonged disconnection from power supply	<ul style="list-style-type: none">• Enter time and date again
22	Flash error	Read error Flash	B	<ul style="list-style-type: none">• Hardware/software problem	<ul style="list-style-type: none">• Get in contact with service department
23	Flash error	Write error Flash	B	<ul style="list-style-type: none">• Hardware/software problem	<ul style="list-style-type: none">• Get in contact with service department
24	Flash error	Reprogramming error Flash	B	<ul style="list-style-type: none">• Hardware/software problem	<ul style="list-style-type: none">• Get in contact with service department
25	Gas sensor defective	Gas sensor defective	A	<ul style="list-style-type: none">• Malfunctions in measuring signal, possible faulty cable connection to SCU	<ul style="list-style-type: none">• Check connection to controller, Exchange sensor if necessary
26	Gas sensor, undervoltage	Signal during Measurement <4mA	A	<ul style="list-style-type: none">• Sensor not connected, cable damage	
27	Gas sensor, overvoltage	Signal during Measurement >20mA	A	<ul style="list-style-type: none">• Short-circuit in cable, signal too large	<ul style="list-style-type: none">• Test cable connections, test vent device, if necessary clean the filters
28	Recurring indication of gas value "0"	several successive small gas values during measurement	A	<ul style="list-style-type: none">• Vent blocked/not working correctly	<ul style="list-style-type: none">• Check and clean vent device

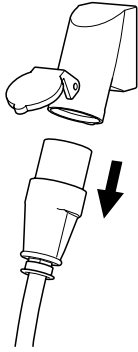
A: Necessary, reset possible within normal use (control restarts after resetting).

B: No duty, automatic reset within normal use.

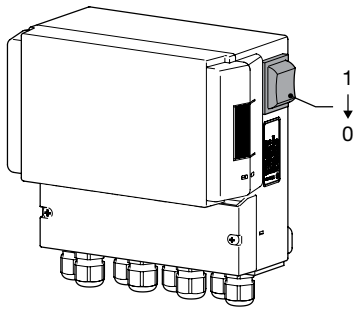
12. Disposal



Comply with local legislations.



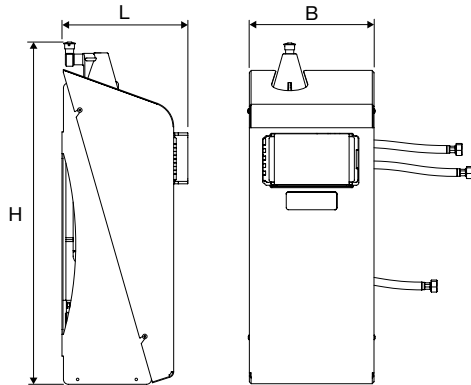
- Make sure the system power switch is OFF.
- Disconnect the power supply.



- Make sure the main power switch is OFF.
- Drain the water.



13. Technical specifications



Dimensions	
H:	705 mm
L:	260 mm
B:	255 mm

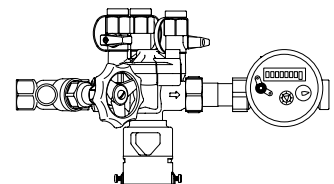
General		Vacumat Basic
Article number	[-]	17002
Working pressure	[bar]	0.8 - 3.0
Refill pressure	[bar]	1 - 8
Max. pressure	[bar]	8
Medium temperature	[°C]	3 - 70
Top-up temperature	[°C]	3 - 30
Noise level	[dB(A)]	ca. 64
Electrical connection	[V]	230
Rating of the pump(s)	[kW]	680 W
Connections and weights		
Connection from system		G½" (internal)
Connection to system		G½" (internal)
Top-up connection		G½" (internal)
Weight	[kg]	21

Nominal diameter	Maximum line length system installation
DN15	10 m
DN20	20 m
DN25	30 m

13.1 Additional accessories

13.1.1 Pressurisation Unit type NFE 1...(3)

Feeds the machine with water. Make sure the water pressure is 1 to 8 bar. The level sensor and the make-up time control the unit.



13.1.2 Vacumat Basic Floor Console

With the aid of the Vacumat Basic Floor Console, you can place the Vacumat Basic on the floor.





Flamco

EU Declaration of Conformity
EU Konformitätserklärung

ENG

Manufacturer
Hersteller

Flamco BV
Amersfoortseweg 9, 3750 GM Bunschoten, the Netherlands

Product description
Produktbezeichnung

Automatic deaerator
Entgasungsautomaten

Product type
Produkt Typ

Vacumat Basic

This declaration of conformity is issued under the sole responsibility of the manufacturer.

Die alleinige Verantwortung für die Ausstellung dieser Konformitätserklärung trägt der Hersteller.

The object of the declaration described above is in conformity with the relevant Union harmonisation legislation:

Der oben beschriebene Gegenstand der Erklärung erfüllt die einschlägigen Harmonisierungsrechtsvorschriften der Union:

Machinery Directive / Maschinenrichtlinie
2006/42/EC

Pressure Equipment Directive / Druckgeräte-Richtlinie
2014/68/EU

Low Voltage Directive / Niederspannungsrichtlinie
2014/35/EU

EMC Directive / EMV-Richtlinie
2014/30/EU

The conformity of the product described above with the provisions of the applied Directive(s) is demonstrated by compliance with the following Standards / regulations:

Die Übereinstimmung des bezeichneten Produkts mit den Vorschriften der angewandten Richtlinie(n) wird nachgewiesen durch die Einhaltung folgender Normen / Vorschriften:

EN 61000-6-1
EN 61000-6-2

EN 61000-6-3
EN 61000-6-4

AD 2000

Bunschoten, 08.03.2017

Signed for and on behalf of: / *Unterzeichnet für und im Namen von:*

FLAMCO BV


M. van de Veen
Managing director

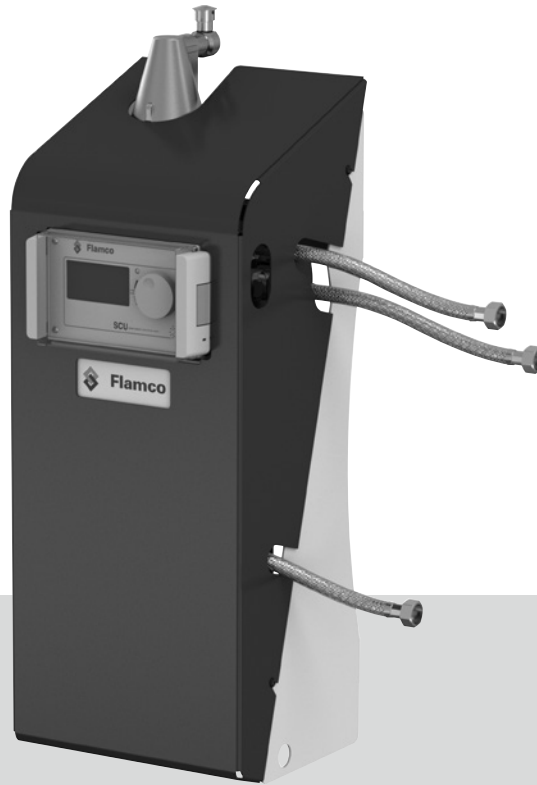




Flamco



Flamco



Flamco B.V.

Amersfoortseweg 9
3751 LJ Bunschoten
the Netherlands
T +31 33 299 75 00
F +31 33 298 64 45
E info@flamco.nl
I www.flamcogroup.com

Copyright Flamco B.V., Bunschoten, the Netherlands.
No part of this publication may be reproduced or published in any way without explicit permission and mention of the source. The data listed are solely applicable to Flamco products. Flamco B.V. shall accept no liability whatsoever for incorrect use, application or interpretation of the technical information. Flamco B.V. reserves the right to make technical alterations.

