

Data sheet

Solenoid coils



Danfoss solenoid valves and coils are usually ordered separately to allow maximum flexibility, enabling you to select a valve and coil combination to best suit your needs. The Danfoss coil program consists of both the easy-to-handle Clip-On system and traditional coils with threaded fastener. Also, with approvals such as EEx/ATEX and UL, we offer a wide range of application specific coils for e.g. steam or hazardous areas.

Features

- Encapsulated coils with long operating life, even under extreme conditions
- Standard coils for AC or DC
- Standard coils from 12 V to 400 V, 50, 60 or 50/60 Hz
- Coils can be fitted without use of tools
- Coils can only be removed with use of tools
- Standard coils available with:
 - Cable plugs
 - Industrial plugs
 - Terminal box
 - 3 core cable
 - Junction box
 - Conduit hub

BA, High performance coils



- Ambient temperature: Up to 40 °C
- IP00 version with DIN 43650 A spade connectors
- IP20 version with protective cap
- IP65 version with mounted cable plug

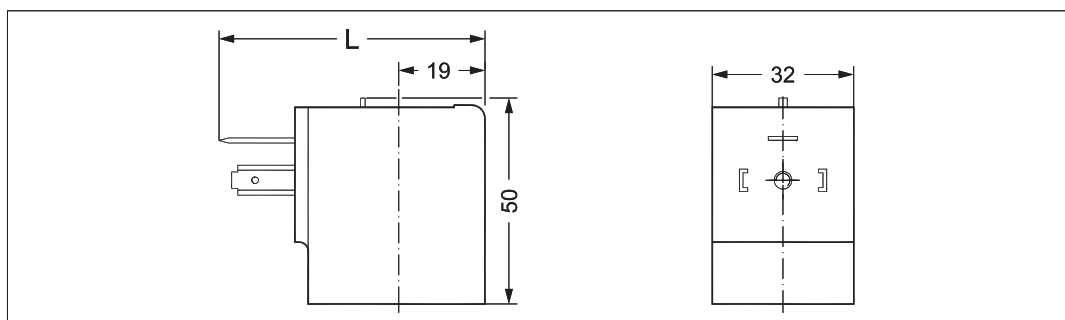
Coil type	Supply voltage		Frequency [Hz]	Power consumption holding [W]	Code no.
	[V AC]	[V DC]			
BA024A	24	–	50	9	042N7508
BA048A	48	–	50	9	042N7510
BA115A	115	–	50	9	042N7512
BA230A	220 – 230	–	50	9	042N7501
BA240A	240	–	50	9	042N7502
BA400A	380 – 400	–	50	9	042N7504
BA024B	24	–	60	9	042N7520
BA115B	115	–	60	9	042N7522
BA220B	220	–	60	9	042N7523
BA012D	–	12	–	15	042N7550
BA024D	–	24	–	15	042N7551

Technical data

Design	In accordance with VDE 0580	
Voltage variation	220/380 V AC	-15%, +10%
	230/400 V AC	-10%, +6%
	Other AC coils with NC valve	-15%, +10%
	Other AC coils with NO valve and all DC	±10%
Power consumption, cut in	39 VA AC coils only	
Insulation of coil windings	Class H according to IEC 85	
Connection	Spade connector in accordance with DIN 43650 form A	
Enclosure, IEC 529	IP00 with spade connec. IP20 with protective cap, IP65 with cable plug	
Ambient temperature	Max. 40 °C	
Duty rating	Continuous	
Plug type	Cable plug	

Dimensions and weight

Type	L without cable plug [mm]	L with protective cap [mm]	L with cable plug [mm]	Weight [kg]
BA	54	71	79	0.16



BD, High performance coils



- Ambient temperature: Up to 40 °C
- IP00 version with DIN 43650 A spade connectors
- IP20 version with protective cap
- IP65 version with mounted cable plug

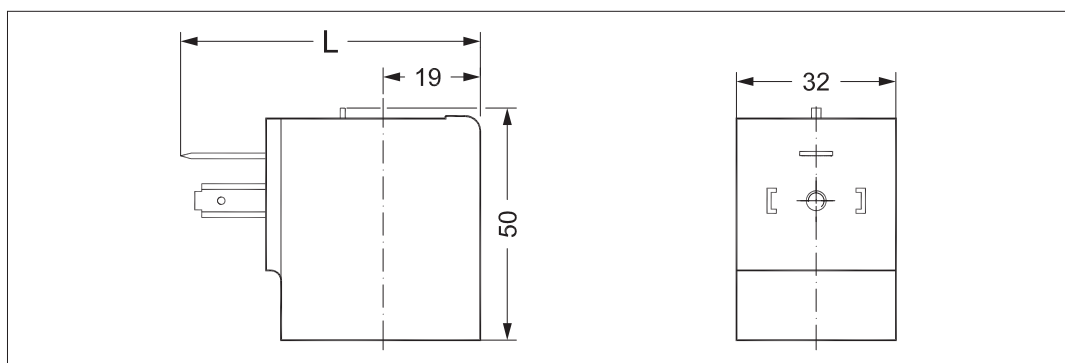
Coil type	Supply voltage [V AC]	Frequency [Hz]	Power consumption holding [W]	Code no.
BD024A	24	50	15	042N7597
BD230A	230	50	15	042N7591

Technical data

Design	In accordance with VDE 0580		
Voltage variation	230 V AC	-10%, +6%	
	Other AC coils with NC valve	-15%, +10%	
	Other AC coils with NO valve and all DC	±10%	
Power consumption, cut in	54 VA		
Insulation of coil windings	Class H according to IEC 85		
Connection	Spade connector in accordance with DIN 43650 form A		
Enclosure, IEC 529	IP00 with spade connec. IP20 with protective cap, IP65 with cable plug		
Ambient temperature	Max. 40 °C		
Duty rating	Continuous		
Plug type	Cable plug		

Dimensions and weight

Type	L without cable plug [mm]	L with protective cap [mm]	L with cable plug [mm]	Weight [kg]
BD	54	71	79	0.16



BB, High performance coils



- Ambient temperature: Up to 80 °C
- IP00 version with DIN 43650 A spade connectors
- IP20 version with protective cap
- IP65 version with mounted cable plug

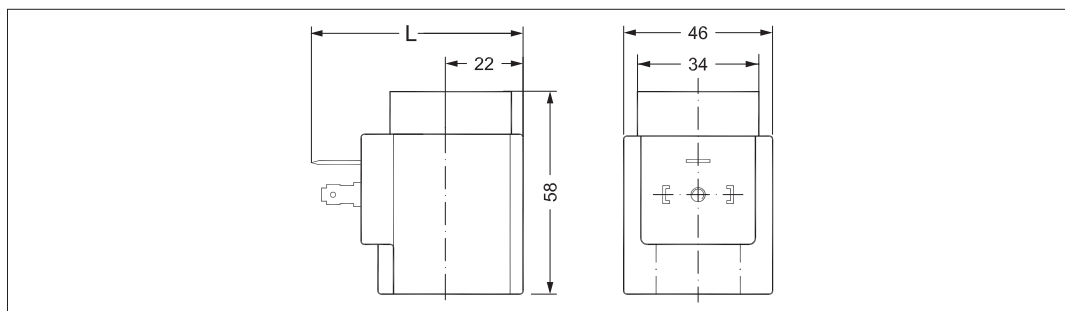
Coil type	Supply voltage		Frequency [Hz]	Power consumption holding [W]	Ambient temperature [°C]	Code no.
	[V AC]	[V DC]				
BB024AS	24	–	50	10	80	018F7358
BB115AS	115	–	50	10	80	018F7361
BB230AS	220 – 230	–	50	10	80	018F7351
BB240AS	240	–	50	10	80	018F7352
BB400AS	380 – 400	–	50	10	80	018F7353
BB024BS	24	–	60	10	80	018F7365
BB110CS	110	–	50 / 60	10	50	018F7360
BB230CS	220 – 230	–	50 / 60	10	50	018F7363
BB012DS	–	12	–	18	50	018F7396
BB024DS	–	24	–	18	50	018F7397

Technical data

Design	In accordance with VDE 0580	
Voltage variation	220/380 V AC	-15%, +10%
	230/400 V AC	-10%, +6%
	Other AC coils with NC valve	-15%, +10%
	Other AC coils with NO valve and all DC coils	±10%
Power consumption, cut in	44 VA AC coils only	
Insulation of coil windings	Class H according to IEC 85	
Connection	Spade connector in accordance with DIN 43650 form A	
Enclosure, IEC 529	IP00 with spade connec. IP20 with protective cap, IP65 with cable plug	
Ambient temperature	Max. 50 °C / 80 °C	
Duty rating	Continuous	
Plug type	Cable plug	

Dimensions and weight

Type	L without cable plug [mm]	L with protective cap [mm]	L with cable plug [mm]	Weight [kg]
BB	62	77	85	0.24



BE, High performance coils



- Ambient temperature: Up to 80 °C
- IP67 for moist environments with terminal box

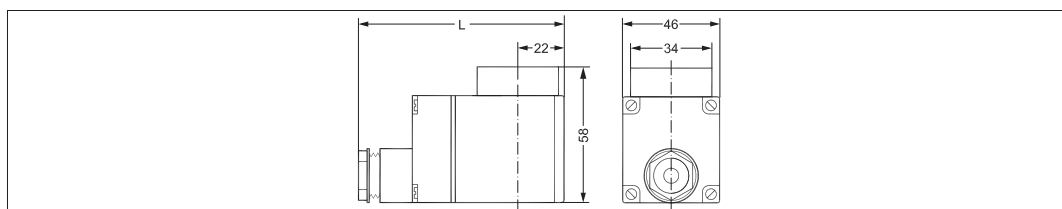
Coil type	Supply voltage		Frequency [Hz]	Power consumption holding [W]	Ambient temperature [°C]	Code no.
	[V AC]	[V DC]				
BE024AS	24	–	50	10	80	018F6707
BE048AS	48	–	50	10	80	018F6709
BE115AS	115	–	50	10	80	018F6711
BE230AS	220 – 230	–	50	10	80	018F6701
BE240AS	240	–	50	10	80	018F6702
BE400AS	380 – 400	–	50	10	80	018F6703
BE024BS	24	–	60	10	80	018F6715
BE115BS	115	–	60	10	80	018F6710
BE220BS	220	–	60	10	80	018F6714
BE110CS	110	–	50 / 60	10	50	018F6730
BE230CS	230	–	50 / 60	10	50	018F6732
BE012DS	–	12	–	18	50	018F6756
BE024DS	–	24	–	18	50	018F6757

Technical data

Design	In accordance with VDE 0580	
Voltage variation	220/380 V AC	-15%, +10%
	230/400 V AC	-10%, +6%
	Other AC coils with NC valve	-15%, +10%
	Other AC coils with NO valve and all DC coils	±10%
Power consumption, cut in	44 VA AC coils only	
Insulation of coil windings	Class H according to IEC 85	
Connection	Terminal box	
Enclosure, IEC 529	IP67	
Ambient temperature	Max. 50 °C / 80 °C	
Duty rating	Continuous	
Plug type	Terminal box	

Dimensions and weight

Type	L with terminal box [mm]	L with 1m cable [mm]	Weight [kg]
BE	94	65	0.30



BF, High performance coils



- Ambient temperature: Up to 80 °C
- IP67 for moist environments with molded-in cable

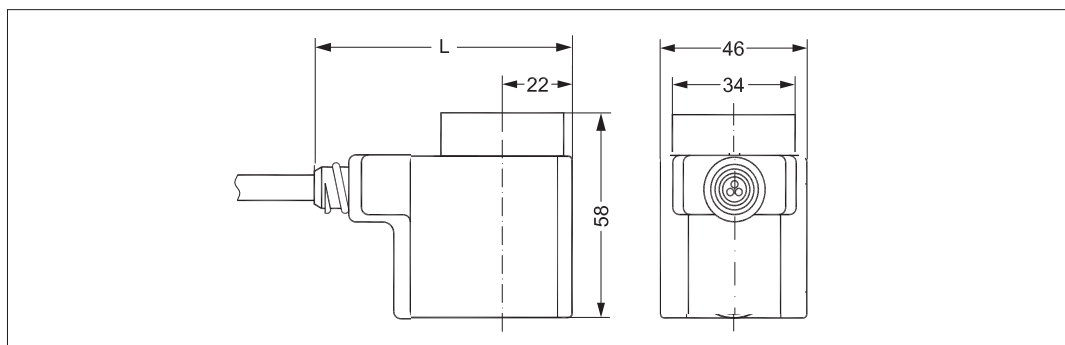
Coil type	Supply voltage [V AC]	Frequency [Hz]	Power consumption holding [W]	Ambient temperature [°C]	Code no.
BF230AS	220 – 230	50	10	80	018F6251
BF240AS	240	50	10	80	018F6252
BF400AS	380 – 400	50	10	80	018F6253
BF024AS	24	50	10	80	018F6257
BF115BS	115	60	10	80	018F6260
BF220BS	220	60	10	80	018F6264
BF024BS	24	60	10	80	018F6265
BF110CS	110	50 / 60	10	50	018F6280
BF230CS	220 – 230	50 / 60	10	50	018F6282

Technical data

Design	In accordance with VDE 0580	
Voltage variation	220/380 V AC	-15%, +10%
	230/400 V AC	-10%, +6%
	Other AC coils with NC valve	-15%, +10%
	Other AC coils with NO valve and all DC coils	±10%
Power consumption, cut in	44 VA AC coils only	
Insulation of coil windings	Class H according to IEC 85	
Connection	1 m 3-core flying lead	
Enclosure, IEC 529	IP67	
Ambient temperature	Max. 50 °C / 80 °C	
Duty rating	Continuous	

Dimensions and weight

Type	L with 1m cable [mm]	Weight [kg]
BF	67	0.30



BG, High performance coils



- Ambient temperature: Up to 80 °C
- IP67 for moist environments with terminal box

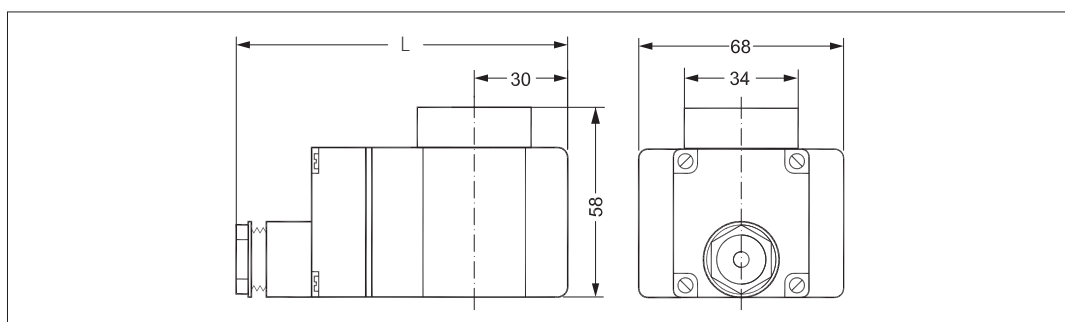
Coil type	Supply voltage		Frequency [Hz]	Power consumption holding [W]	Ambient temperature [°C]	Code no.
	[V AC]	[V DC]				
BG024AS	24	–	50	12	80	018F6807
BG110AS	110	–	50	12	80	018F6811
BG230AS	220 – 230	–	50	12	80	018F6801
BG240AS	240	–	50	12	80	018F6802
BG400AS	380 – 400	–	50	12	80	018F6803
BG024BS	24	–	60	12	80	018F6815
BG110BS	110	–	60	12	80	018F6813
BG220BS	220	–	60	12	80	018F6814
BG012DS	–	12	–	20	50	018F6856
BG024DS	–	24	–	20	50	018F6857

Technical data

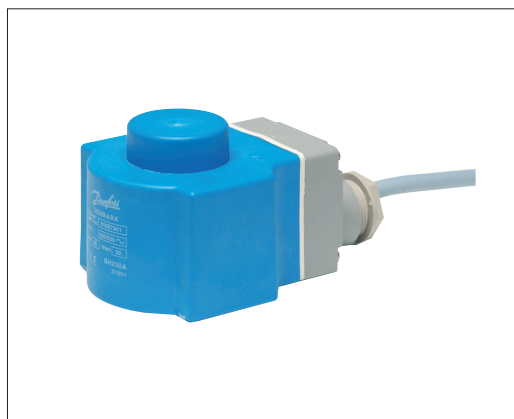
Design	In accordance with VDE 0580	
Voltage variation	220/380 V AC	-15%, +10%
	230/400 V AC	-10%, +6%
	Other AC coils with NC valve	-15%, +10%
	Other AC coils with NO valve and all DC coils	±10%
Power consumption, cut in	55 VA AC coils only	
Insulation of coil windings	Class H according to IEC 85	
Connection	Terminal box	
Enclosure, IEC 529	IP67	
Ambient temperature	Max. 80 °C	
Duty rating	Continuous	
Plug type	Terminal box	

Dimensions and weight

Type	L with terminal box [mm]	Weight [kg]
BG	112	0.50



BN, High performance coils



- Hum-free
- Ambient temperature: Up to 50 °C
- IP67 for moist environments with flying lead

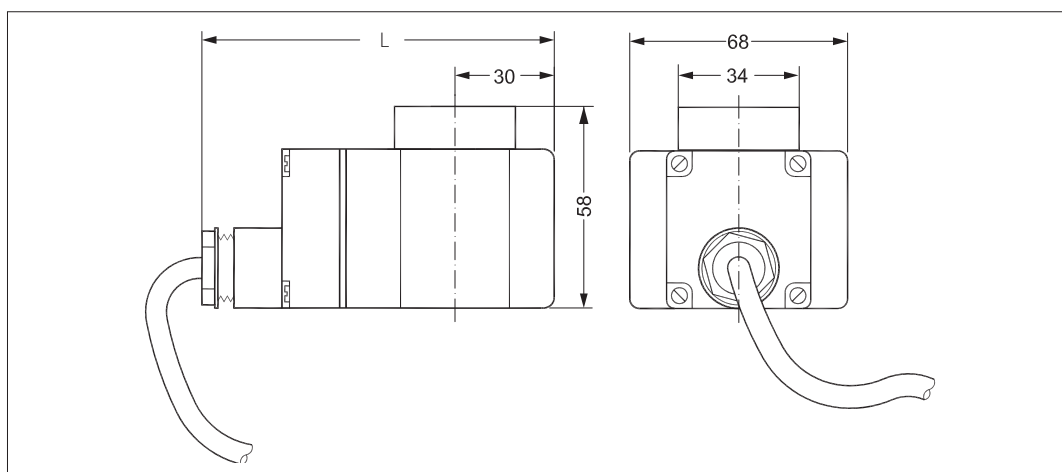
Coil type	Supply voltage [V AC]	Frequency [Hz]	Power consumption holding [W]	Ambient temperature [°C]	Code no.
BN230CS	220 - 230	50/60	20	50	018F7301

Technical data

Design	In accordance with VDE 0580	
Voltage variation	220 V AC	-15%, +10%
	230 V AC	-10%, +6%
Power consumption, cut in	24 VA	
Insulation of coil windings	Class H according to IEC 85	
Connection	1 m 3-core flying lead	
Enclosure, IEC 529	IP67	
Ambient temperature	Max. 50 °C	
Duty rating	Continuous	

Dimensions and weight

Type	L with 1 m cable [mm]	Weight [kg]
BN	112	0.60



BN, High performance coils



- Center boss
- Ambient temperature: Up to 50 °C
- IP67 for moist environments with terminal box
- IP65 with mounted cable plug

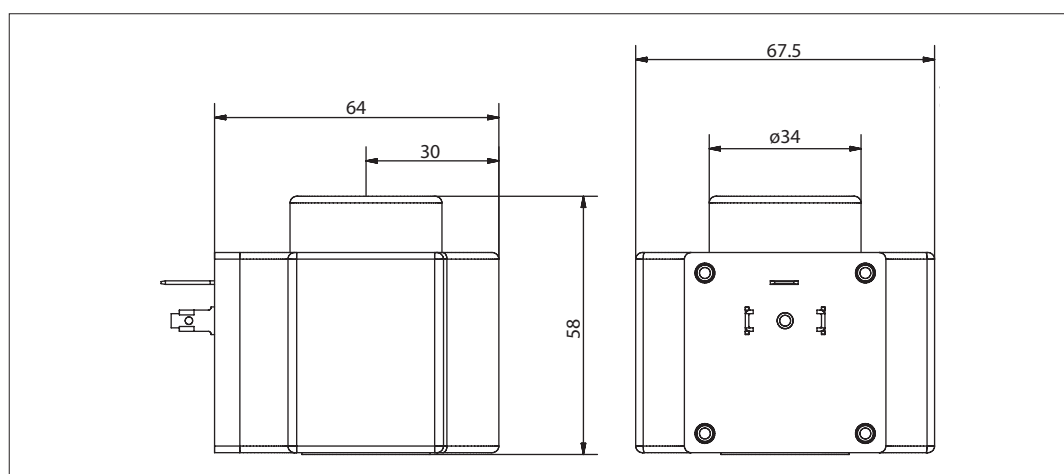
Coil type	Supply voltage [V DC]	Power consumption holding [W]	Ambient temperature [°C]	Code no.
BN024DS	24	19	50	018F6968

Technical data

Design	In accordance with VDE 0580
Voltage variation	±10%
Power consumption, cut in	24 VA
Insulation of coil windings	Class H according to IEC 85
Connection	Terminal box or cable plug in accordance with DIN43650 form A
Enclosure, IEC 529	IP65, IP67
Ambient temperature	Max. 50 °C
Duty rating	Continuous

Dimensions and weight

Type	L [mm]	Weight [kg]
BN	64	0.47



BO, High performance coils



- With ATEX 94/9/EC approval
Ex mb IIC T4 Gb
ITS 09 ATEX 16835X
- Zone 1
- Ambient temperature: Up to 60 °C
- Medium temperature: Up to 90 °C
- IP67 for moist environments with seal kit

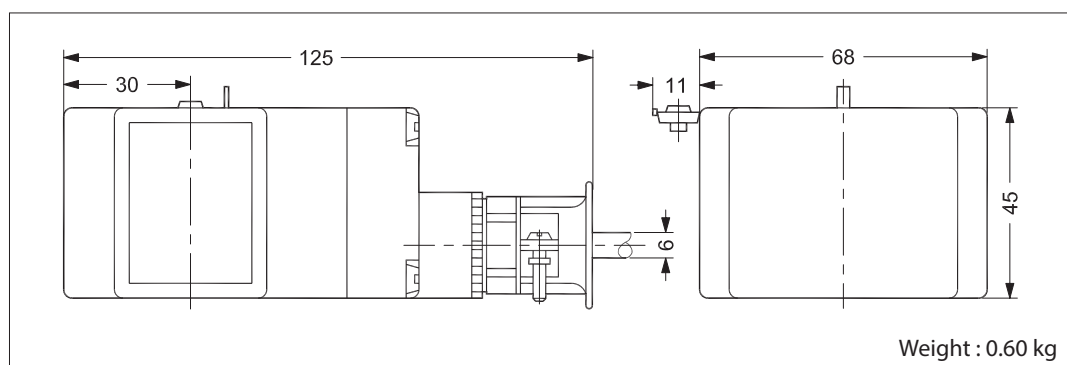
Coil type	Supply voltage		Frequency [Hz]	Power consumption holding [W]	Code no.
	[V AC]	[V DC]			
BO024C	24	–	50 / 60	10	018Z6595
BO110C	110	–	50 / 60	10	018Z6593
BO230C	230	–	50 / 60	10	018Z6592
BO240C	240	–	50 / 60	10	018Z6591
BO024D	–	24	–	10	018Z6596

Technical data

Voltage variation	±10%
Insulation of coil windings	Class H according to IEC 85
Connection	5 m 3 x 0.75 mm ² flexible cord
Enclosure, IEC 529	IP67
Ambient temperature	-40 °C – +60 °C
Media temperature	-40 °C – +90 °C
Duty rating	Continuous
Humidity	0 – 100%
Pollution degree	3 (EN60730-1)
Impulse withstand voltage	2.5 kV (EN60730-1)

Description	Application	Code no.
Seal kit	Wet environment (pollution degree 3)	018Z0090

Dimensions and weight



AM coil



- Ambient temperature: Up to 50 °C
- IP00 version with terminals DIN 43650 form A
- IP20 version with protective cap
- IP65 version with mounted cable plug

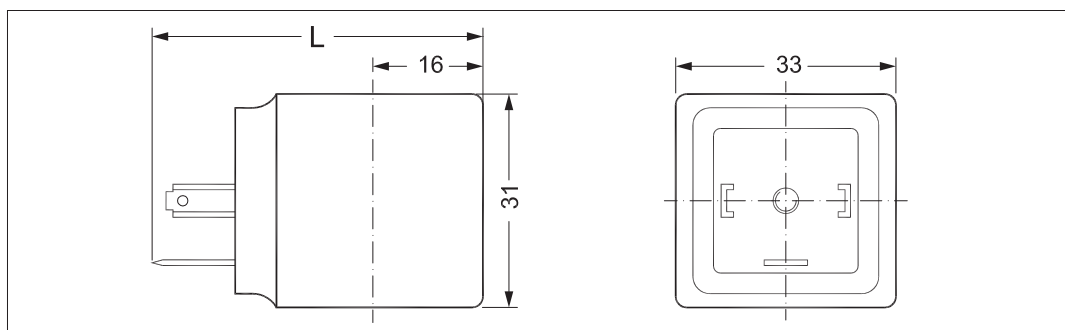
Coil type	Supply voltage		Frequency [Hz]	Power consumption holding [W]	Code no.
	[V AC]	[V DC]			
AM024C	24	–	50 / 60	7.5	042N0842
AM110C	110	–	50 / 60	7.5	042N0845
AM230C	220 – 230	–	50 / 60	7.5	042N0840
AM240C	240	–	50 / 60	7.5	042N0841
AM012D	–	12	–	9.5	042N0848
AM024D	–	24	–	9.5	042N0843

Technical data

Design	In accordance with VDE 0580
Voltage variation	±10%
Power consumption, cut in	22.5 VA AC coils only
Insulation of coil windings	Class H according to IEC 85
Connection	Spade connector in accordance with DIN 43650 form A
Enclosure, IEC 529	IP00 with spade connector, IP65 with cable plug
Ambient temperature	Max. 50 °C
Duty rating	Continuous
Plug type	Cable plug

Dimensions and weight

Type	L without cable plug [mm]	L with cable plug [mm]	L with protective cap [mm]	Weight [kg]
AM	48	72	64	0.10



AP, Compact UL recognised coils



- Ambient temperature: Up to 50 °C / 122 °F
- IP65 / NEMA2
- For UL recognised valves

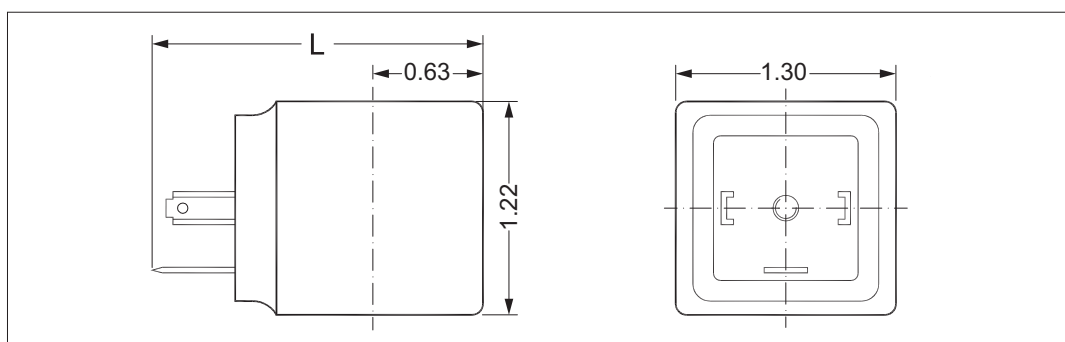
Coil type	Supply voltage [V AC]	Frequency [Hz]	Power consumption holding [W]	Code no.
AP240C	208 – 240	60	5	042N4191
AP240C	230	50	7	042N4191
AP120B	110 – 120	60	5	042N4192
AP024B	24	60	5	042N4193

Technical data

Design	In accordance with VDE 0580
Voltage variation	±10%
Power consumption, cut in	15 VA AC coils only
Insulation of coil windings	Class H according to IEC 85
Connection	Spade connector in accordance with DIN 43650 form A
Enclosure, IEC 529	IP00 with spade connector, IP65/NEMA2 with cable plug
Ambient temperature	Max. 50 °C / 122 °F
Duty rating	Continuous
Plug type	Cable plug

Dimensions and weight

Type	L without cable plug [in]	L with cable plug [in]	L with protective cap [in]	Weight [kg / lbs]
AP	1.89	2.83	2.52	0.10 / 0.22



BJ, High performance coils



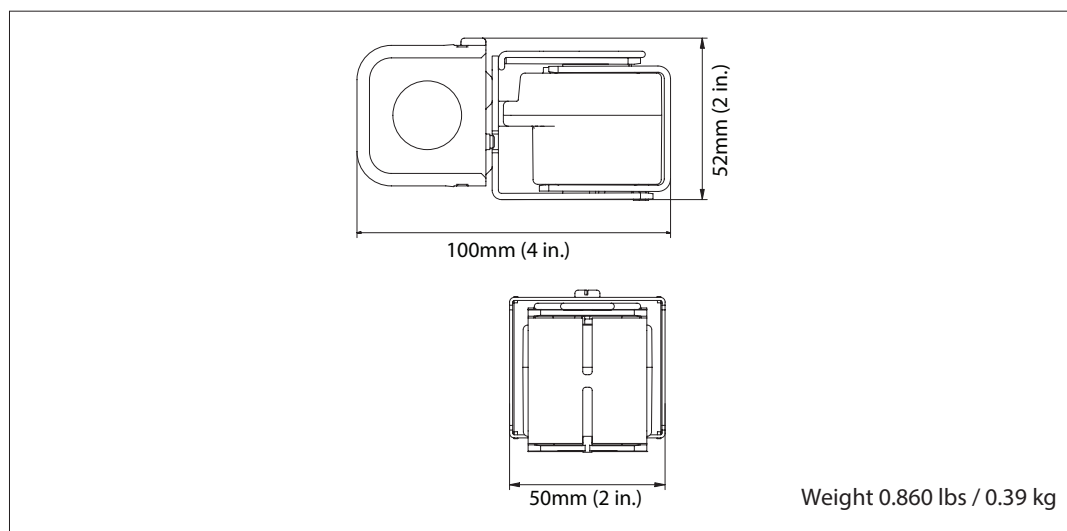
- Ambient temperature: Up to 50 °C / 122 °F
- IP32 / NEMA2 with junction box
- For UL listed valves

Valve type	Coil type	Supply voltage [V AC]	Frequency [Hz]	Power consumption [Hz]	Wire length		Code no.
					[in.]	[cm]	
EV220B 6-50	BJ024CS	24	50 / 60	14	7	18	018F4100
EV210B	BJ120CS	110	50 / 60	16	7	18	018F4110
EV215B		120		15			
EV225B	BJ240CS	208 – 240	60	14	7	18	018F4120
EV250B				230			

Technical data

Design	In accordance with UL 429	
Voltage variation	AC coils	-15%, +10%
Power consumption, cut in	49 VA	
Insulation of coil windings	Class H according to IEC 85	
Connection	Junction box	
Enclosure, IEC 529	Junction box NEMA2 ~ IP12-32	
Ambient temperature	-40 – 50 °C / -40 – 122 °F	

Dimensions and weight



BX, High performance coils



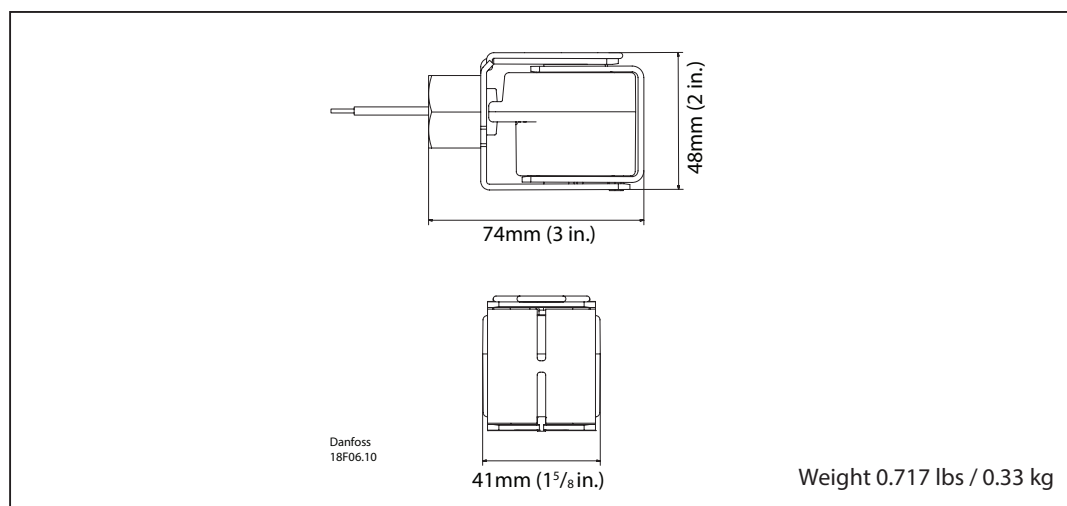
- Ambient temperature: Up to 50 °C / 122 °F
- IP54 / NEMA4 with conduit hub
- For UL listed valves

Valve type	Coil type	Supply voltage [V AC]	Frequency [Hz]	Power consumption [Hz]	Wire length		Code no.
					[in.]	[cm]	
EV220B 6-50 EV210B EV215B EV225B EV250B	BX024CS	24	50 / 60	14	18	46	018F4102
	BX024CS	24	50 / 60	14	71	180	018F4103
	BX024CS	24	50 / 60	14	98	250	018F4104
	BX120CS	110 120	50 / 60 60	16 15	18	46	018F4112
	BX120CS				36	91	018F4113
	BX120CS				71	180	018F4114
	BX120CS				98	250	018F4115
	BX240CS	208 – 240 230	60 50	14 17	18	46	018F4122
BX240CS	98				250	018F4123	

Technical data

Design	In accordance with UL 429	
Voltage variation	AC coils	-15%, +10%
Power consumption, cut in	49 VA	
Insulation of coil windings	Class H according to IEC 85	
Connection	Conduit hub	
Enclosure, IEC 529	Conduit hub NEMA4 ~ IP54	
Ambient temperature	-40 – 50 °C / -40 – 122 °F	

Dimensions and weight



BY, High performance coils



- Ambient temperature: Up to 50 °C / 122 °F
- Up to IP65 / NEMA4
- For UL recognised valves

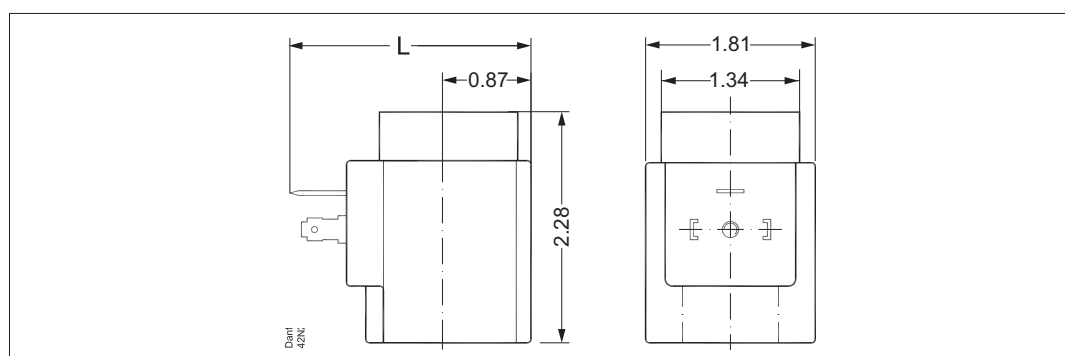
Coil type	Supply voltage [V AC]	Frequency [Hz]	Power consumption holding [W]	Power consumption holding [VA]	Code no.
BY024CS	24	50	15	26	018F7655
BY024CS	24	60	13	21	
BY240CS	230	50	15	31	018F7658
BY240CS	208 - 240	60	16	27	
BY120CS	110	50	14	28	018F7663
BY120CS	110 - 120	60	15	27	

Technical data

Design	In accordance with UL 429	
Voltage variation	AC coils	-15%, +10%
Power consumption, cut in	49 VA	
Insulation of coil windings	Class H according to IEC 85	
Connection	Spade connector in accordance with DIN 43650 form A	
Enclosure, IEC 529	Up to IP65 / NEMA4	
Ambient temperature	-40 - 50 °C / -40 - 122 °F	
Plug type	Cable plug	

Dimensions and weight

Type	L without cable plug [in]	L with protective cap [in]	L with cable plug [in]	Weight [kg / lbs]
BY	2.44	3.03	3.35	0.24 / 0.53



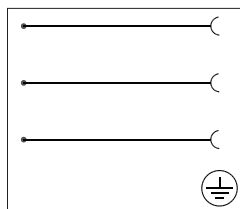
Cable plug



- For use with Danfoss coils type AM, BA, BB, BD and BY
- AC / DC all voltages up to 250 V
- Enclosure: Up to IP65
- Ambient temperature: Up to 90 °C / 194 °F

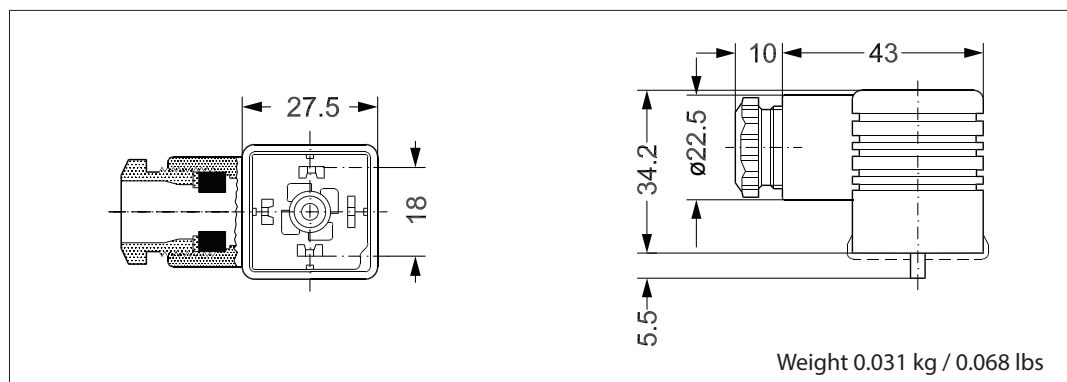
Cable plug size	Description	Suitable for coil types	Code no.
DIN 18	Cable plug according to DIN 43650-A PG 11	AM, BA, BB, BD, BY	042N0156

Technical data



Type	GDM 2011 J (Grey)	
Design	DIN 43650-A	
Cable gland	PG 11	
Poles	2 + PE	
Max. voltage	250 V AC / DC	
Approvals	cULus CSA, VDE	
Protection class	IP65 (IEC 60529)	
Max. operating current	16 A	
Contact resistance	< 10m Ω	
Cable diameter	ø 4.5 – 11 mm	
Wire cross section	Max. 1.5 mm ²	
Ambient temperature	-30 – 90 °C / -22 – 194 °F	
Materials	Contacts:	CuSn (Tin plated)
	Terminal block:	PA 6 GF
	Profiled gasket:	NBR
	Housing:	PA 6 GF

Dimensions and weight



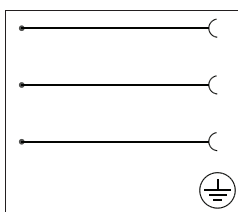
Cable plug



- For use with Danfoss coils type AM, BA, BB, BD and BY
- AC / DC all voltages up to 250 V
- Enclosure: Up to IP65
- Ambient temperature: Up to 80 °C / 176 °F

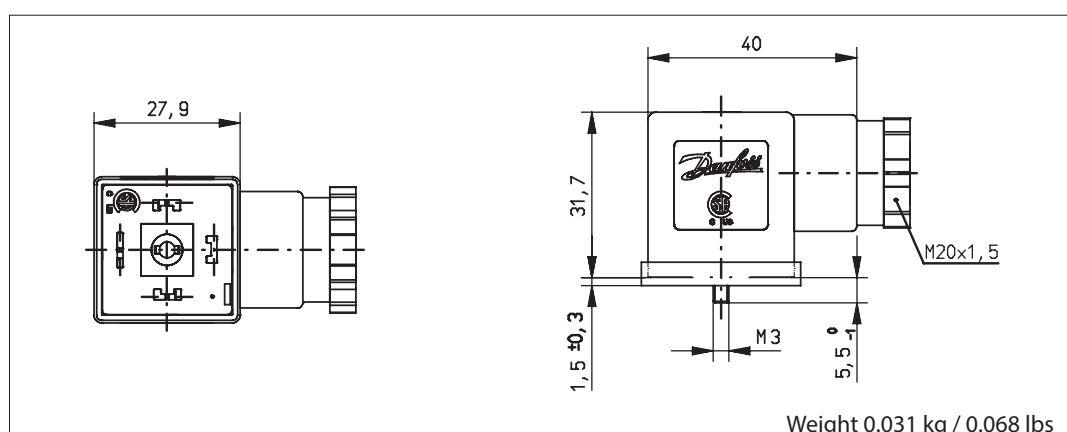
Cable plug size	Description	Suitable for coil types	Code no.
DIN 18	Cable plug with form A	AM, BA, BB, BD, BY	042N0178

Technical data



Design	EN 175301-803 Form A	
Cable gland	PG 11	
Poles	2 + PE	
Max. voltage	250 V AC / DC	
Approvals	us CSA	
Protection class	IP65	
Max. operating current	16 A	
Contact resistance	< 4m Ω	
Cable diameter	ø6 – 8 / 8 – 10 mm	
Wire cross section	Max. 1.5 mm ²	
Ambient temperature	-25 – 80 °C / -13 – 176 °F	
Materials	Contacts:	CuZn, Cu/Sn - plated
	Terminal block:	PA 6 GF
	Profiled gasket:	NBR
	Housing:	PA 6 GF

Dimensions and weight



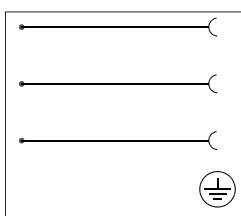
Industrial plug



- For use with Danfoss coils type AB and AC
- AC / DC all voltages up to 250 V
- Enclosure: Up to IP65
- Ambient temperature: Up to 90 °C / 194 °F

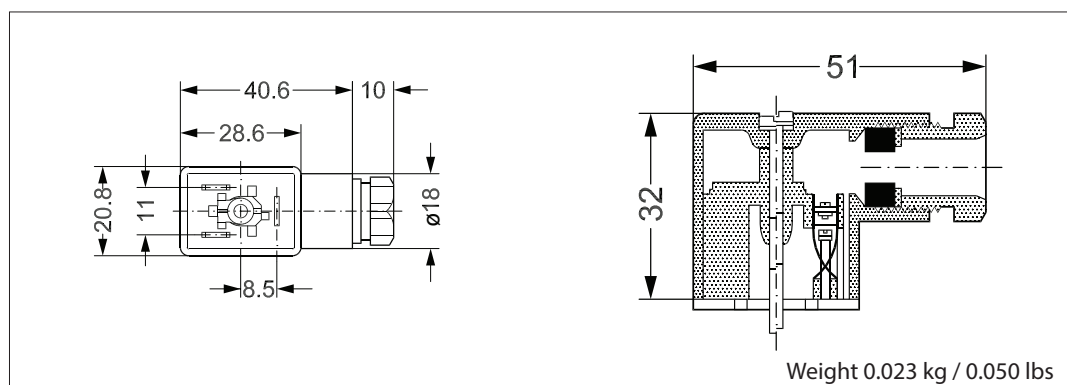
Industrial plug size	Description	Suitable for coil types	Code no.
DIN 11	Cable plug for 6.3 x 0.8 mm spade connectors	AB, AC	042N0139

Technical data



Type	GM 209 J (Black)	
Design	DIN 43650-B	
Cable gland	PG 9	
Poles	2 + PE	
Max. voltage	250 V AC / DC	
Approvals	cULus CSA	
Protection class	IP65 (IEC 60529)	
Max. operating current	16 A	
Contact resistance	< 10m Ω	
Cable diameter	ø4.5 – 7 mm	
Wire cross section	Max. 1.5 mm ²	
Ambient temperature	-30 – 90 °C / -22 – 194 °F	
Materials	Contacts:	CuSn (Tin plated)
	Terminal block:	PA 6 GF
	Flat gasket:	NBR
	Housing:	PA 6 GF

Dimensions and weight



Cable plug (LED + Varistor)

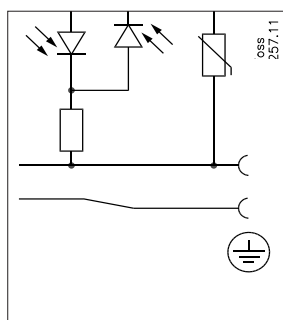


- For use with Danfoss coils type AM, AK, AL, BA, BD, BB and BY
- 24 V AC / DC and 230 V AC version
- Enclosure: Up to IP65
- Ambient temperature: Up to 60 °C / 140 °F
- DIN 18

Cable plug size	Voltage		Suitable for coil types	LED colour	Built-in VDR ¹⁾ resistor	Code no.
	[V AC]	[V DC]				
DIN 18	24	24	AM, AL, BA, BB, BD, BY	Red	Yes	042N0263
DIN 18	230	–	AM, AL, BA, BB, BD, BY	Red	Yes	042N0265

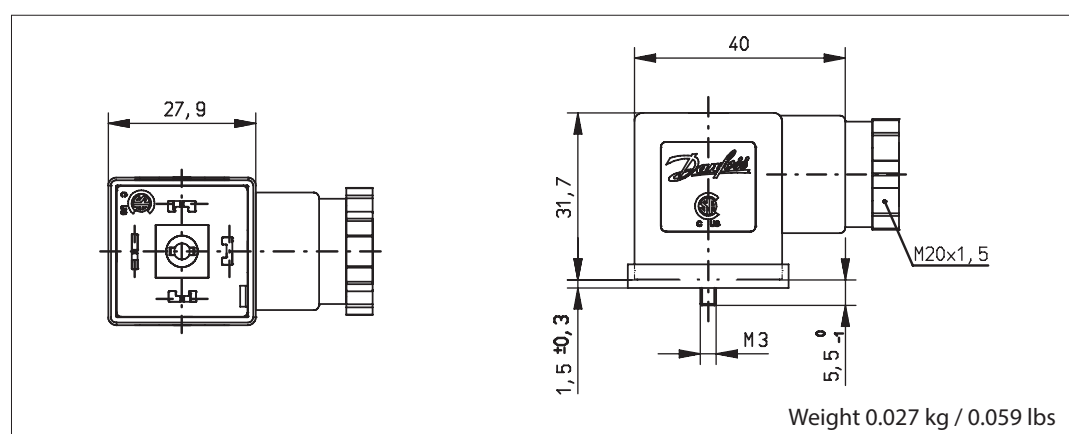
¹⁾ Protects against voltage peaks

Technical data



Design	EN 175301-803 A	
Supply voltage variation	±10%	
Power consumption	Max. 5 mA	
Protection class	IP65 (IEC 60529)	
Max. operating current	1.5 A clamping contact	
Contact resistance	≤ 4m Ω	
Protection against wrong polarity	Yes	
Cable diameter	6 – 8 mm and 8 – 10 mm	
Wire cross section	Max. 1.5 mm ²	
Ambient temperature	-25 – 60 °C / -13 – 140 °F	
Materials	Contacts:	CuZn, Cu/Sn-plated
	Terminal block:	PA6 + 30% FG, black
	Flat gasket:	NBR LABS-free
	Housing:	PA6
	Wire holder:	PA6.6 + 50% FG P7,5 black

Dimensions and weight



Industrial plug (LED + Varistor)

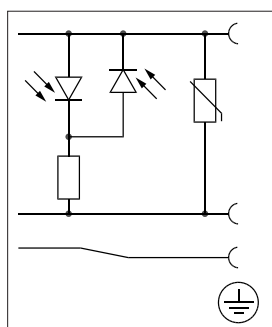


- For use with Danfoss coils type AB and AC
- 24 V AC / DC and 230 V AC version
- Enclosure: Up to IP65
- Ambient temperature: Up to 60 °C / 140 °F

Industrial plug size	Voltage		Suitable for coil types	LED colour	Built-in VDR ¹⁾ resistor	Code no.
	[V AC]	[V DC]				
DIN 11	24	24	AB, AC	Red	Yes	042N0267
DIN 11	230	–	AB, AC	Red	Yes	042N0265

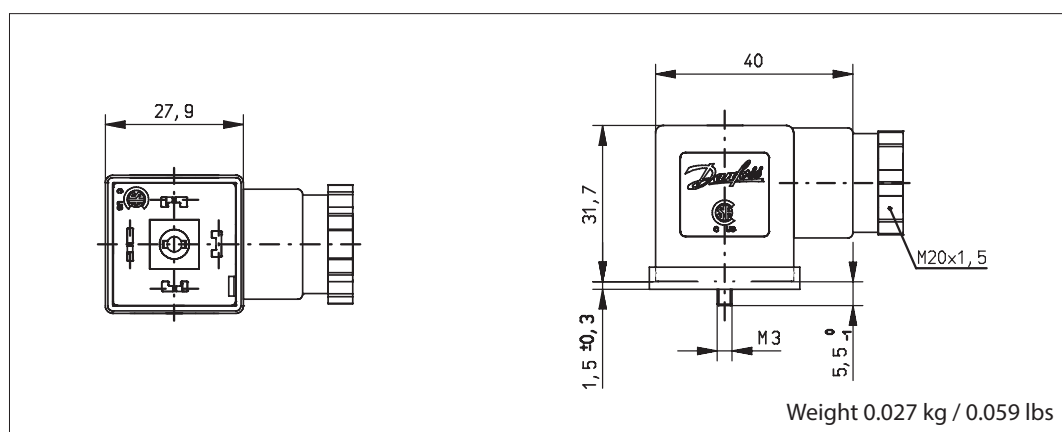
¹⁾ Protects against voltage peaks

Technical data



Design	Industrial form	
Supply voltage variation	±10%	
Power consumption	Max. 5 mA	
Protection class	IP65 (IEC 60529)	
Max. operating current	1.5 A clamping contact	
Contact resistance	≤ 4m Ω	
Protection against wrong polarity	Yes	
Cable diameter	5 – 6 mm and 6 – 9 mm	
Wire cross section	Max. 1 mm ²	
Ambient temperature	-25 – 60 °C / -13 – 140 °F	
Materials	Contacts:	CuZn, Cu/Sn-plated
	Terminal block:	PA6 + 30% FG, black
	Flat gasket:	NBR LABS-fre
	Housing:	PA6
	Wire holder:	PA6.6 + 50% FG P7,5 black

Dimensions and weight



**Universal electronic multi-timer
Type ET 20 M**



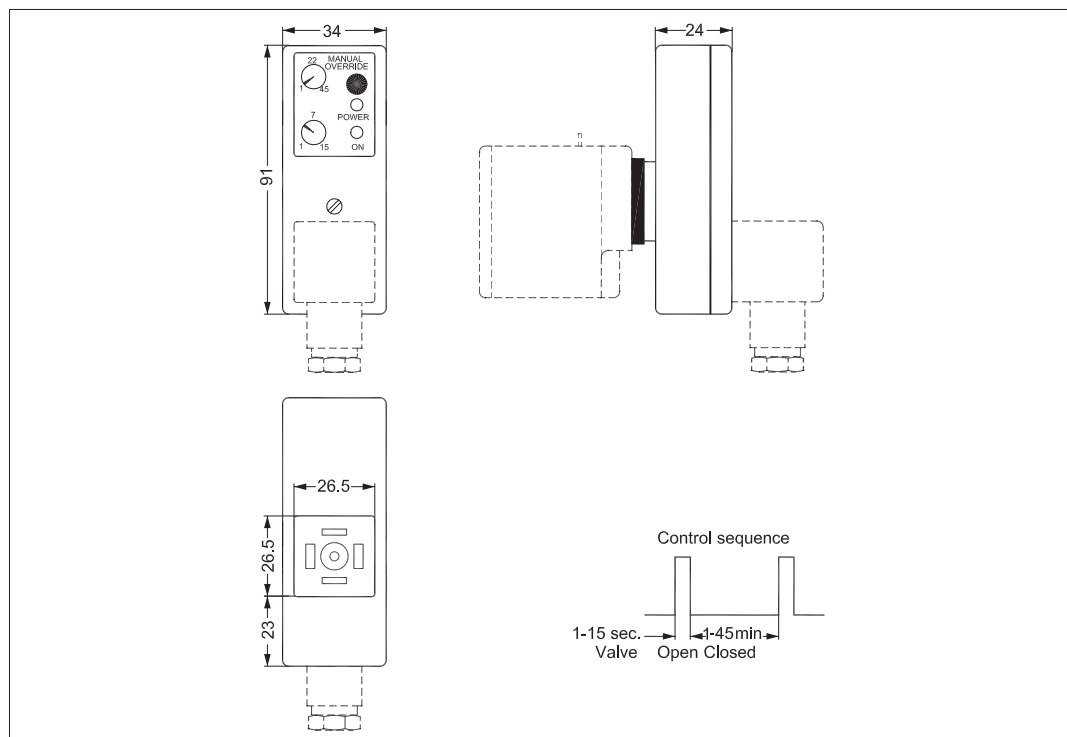
- Outside adjustments
- Light weight and small size
- External adjustable timing from 1 minute to 45 minutes with 1 to 15 seconds drain open
- One solid state timer fits all coil voltages from 24-240 V AC
- Light diodes for indication
- All in one unit
- Manual override (test button).

Type	Voltage [V AC]	Suitable for coil types	Code no.
BA024A	24 – 240	AM, BA, BD, BB	042N0185

Technical data

Type	ET 20 M
Voltage	24 – 240 V AC / 50 – 60 Hz
Power rating	Max. 20 W
Enclosure	IP00, IP65 with cable plug
Electrical connection	DIN connector (DIN 43650-A)
Ambient operating temperature range	-10 – 50 °C
Function	Start with pulse
Interval timer	0 – 45 min.
“On” timer	0 – 15 sec.

Dimensions and weight



Danfoss can accept no responsibility for possible errors in catalogues, brochures and other printed material. Danfoss reserves the right to alter its products without notice. This also applies to products already on order provided that such alterations can be made without consequential changes being necessary in specifications already agreed. All trademarks in this material are property of the respective companies. Danfoss and the Danfoss logotype are trademarks of Danfoss A/S. All rights reserved.