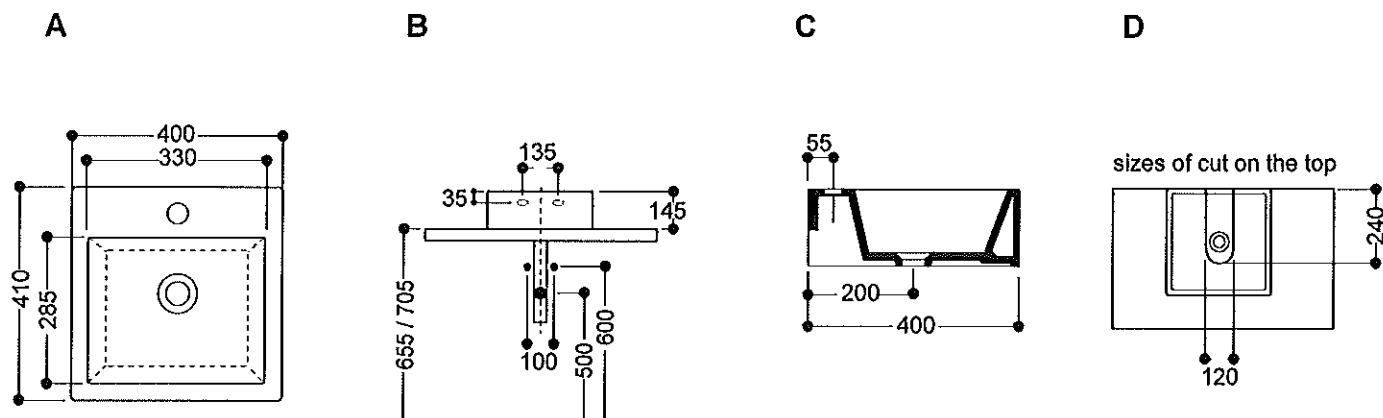


S
T
O
N
E

HOX QUAD 40 COUNTER/WALL BASIN



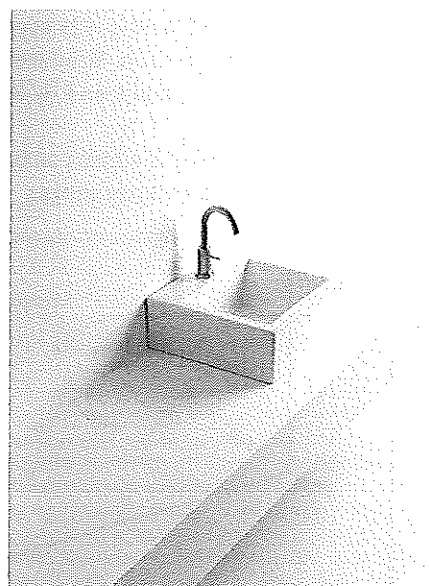
All measurements for roughing in should be taken from finished wall/floor.

SPECIFICATIONS

Material	Fine fire clay
Integral overflow	No
Tap hole availability	1 tap holes
Plug and waste	Suits 40mm non-overflow waste
Overflow dress ring	No
Warranty	15 months (see reverse)
Colour availability	White
Template	Supplied with product
Fixing requirement	Sealed to benchtop with waterproof sealant or bolted to wall.
Fixing	To straight edged countertop joint sealed with waterproof sealant

FEATURES

Recommended use	Domestic, hotel and commercial
Weight	Pan: 12 kg



CLEANING RECOMMENDATIONS

This bathroom product should not be cleaned with abrasive materials eg. steel wool/scourers. Do not use any corrosive or abrasive cleaning agents containing acids or scouring agents. Bleaches can also discolour products and therefore should not be used. Damage caused by any improper treatment is not covered by the product warranty- refer to Warranty Conditions on the last page.

Disclaimer: Products in this specification manual must by regulation be installed by licensed and registered trade people. The manufacturer/distributor reserves the right to vary specifications or delete models from their range without prior notification. Dimensions and set-outs listed are correct at time of publication however the manufacturer/distributor takes no responsibility for printing errors.

Tech Page Version 1

S
T
O
N
E

W H I T E
S T O N E

HOX QUAD 40 COUNTER/WALL BASIN

INSTALLATION

COUNTER

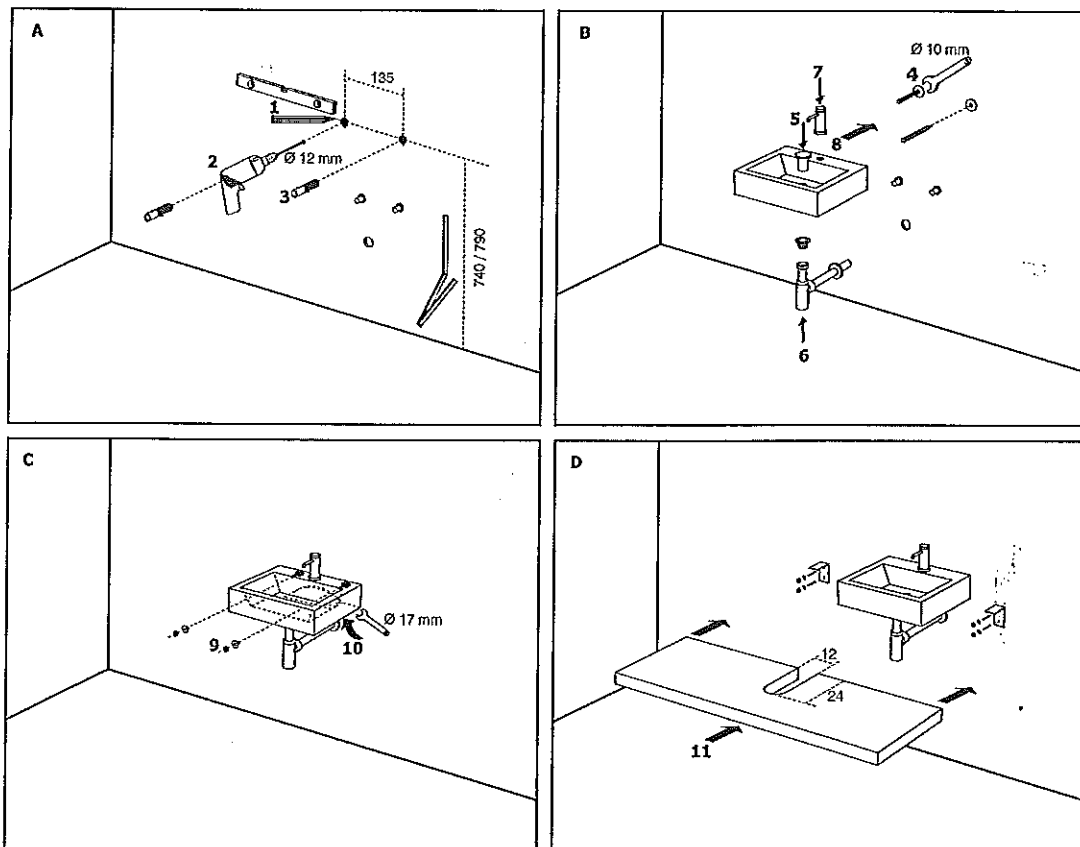
Rear of basin is unglazed. Any counter top installation is recommended against the wall.

- 1 Cut out bench top as per drawing (d).
- 2 Fit selected tapware and waste to basin. Ensure waste is siliconed around rim.
- 3 Apply waterproof sealant to rim of basin.
- 4 Locate basin complete with fittings onto bench top and press firmly all around.
- 5 Remove excess sealant.

WALL

If fixing to timber framed walls or partitioning the wall should be reinforced with noggin to receive fixing bolts.

- 1 Drill holes into wall at desired height and fixing centres and install fixing bolts supplied (fig b).
- 2 Fit selected tapware to basin. Fit selected non-overflow waste to basin ensuring it is sealed with silicone on top.
- 3 Carefully align basin complete with fittings onto protruding bolts.
- 4 Insert nylon bushes and locking nuts supplied and partially tighten lock nuts to hold basin into position. Make minor adjustments at this stage and ensure basin is level and then fully tighten lock nuts. Do not over tighten!
- 5 If desired all visible external edges can be joint sealed using flexible sealant ensuring to wipe off any excess.



W H I T E
S T O N E