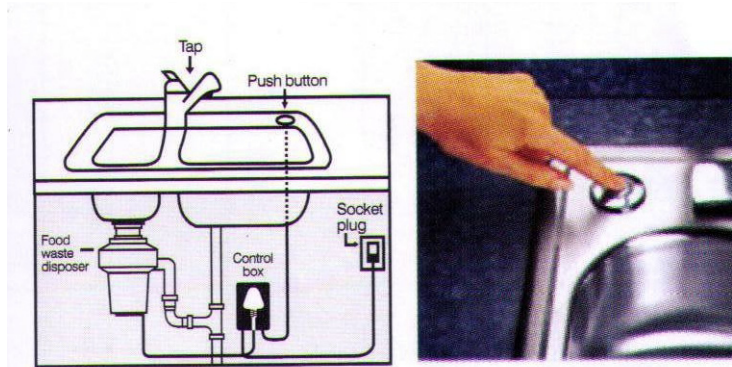




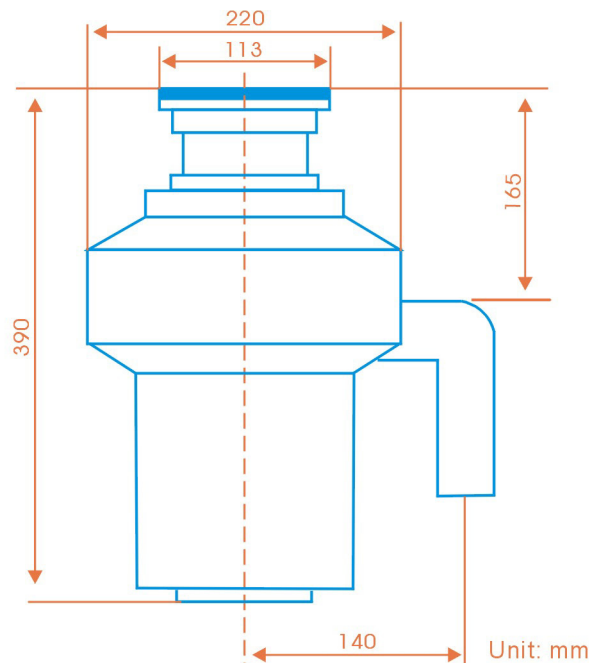
GEAPP Avfallskvern



Air switch is available for every models and offers additional ease of installation and usage. The button of the accessory can be located on the work top or sink. The button can be located on the work top or sink. Pressing the button sends a pulse of air through a tube the disposer to switch it on and off. The air switch is supplied with interchangeable white and chrome finishes.

Product Characteristics:

- P.M. Moter
- Stainless steel grinding-room
- Overload protector
- Completely seal sound arrester
- Washer connector
- Large capacity grinding-room
- Alloy quick connector
- High strength plastic structure



Technical Parameter:

Type	Voltage(V)	Frequency(Hz)	Current(A)	Rotation speed (r/min)	Power(W)
GFC701 MK II	AC 220	50	3.45	2600	560