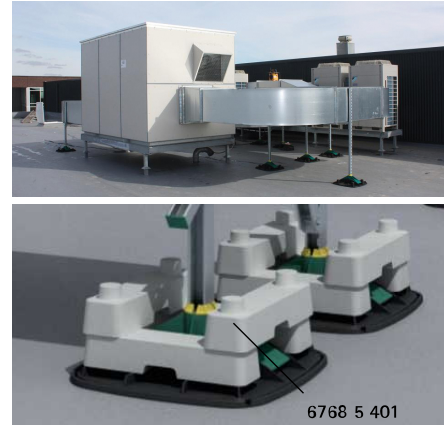


BIS Yeti[®] 480 Support System (BUP1000)

(1 04 05)

for Rooftop Installations

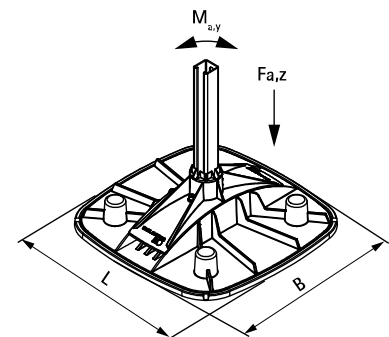
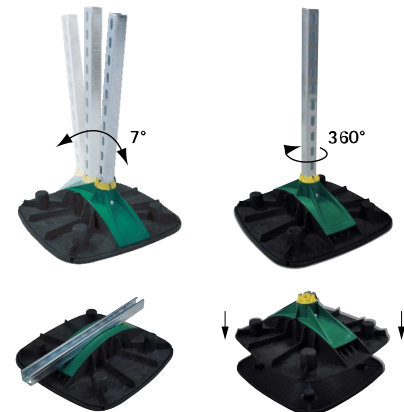


Features and benefits

- modular supporting system for climate installations, solar panels, walkways, pipe work, cable ways, etc.
- for flat and low pitched roofs
- adjustable up to 7° to compensate roof pitch
- 360° rotatable insert for BIS RapidStrut[®] 41x41 or BIS RapidStrut[®] DS 5 (41x52 mm)
- with non-slip anti-vibration mat
- with optional stackable ballast block for increased weight / stability
- noise reduction according to DIN EN ISO 10140-1 and DIN EN ISO 10140-3 up to 31 dB(A)
- mouldings made of WPC, a composite of recycled plastic and wood fibre
- resistant to UV and chemical influences
- BIS Yeti 480 H-set consisting of:
 - 2 x BIS Yeti[®] 480 vertical, including non-slip anti-vibration mat (made of rubber)
 - 4 x BIS Strut Connector 90°
 - 8 x hexagon head bolts and slide nuts



SG Bauakustik
Nr. 1762-001-19



Part No.	Model	L	B	F _{a,z}	F _{a,z 2}	M _{a,y}	Pack 1	Pack 2
		(mm)		(N)	(N)	(Nm)		
67685001	Vertical	480 mm	480	20,000*	30,000**	200.0	1	25
67685101	Horizontal	480 mm	480	20,000*	30,000**	200.0	1	30
67685301	H-set (without Strut Rail)	480 mm	480	20,000*	30,000**	200.0	1	-

* = Maximum allowed load for Strut 41x41x2.5.

** = Maximum allowed load for Strut 41x51x2.0 - DS5.

For a detailed calculation and for support how to spread the load please contact Walraven Technical Support.

In cases where a foot is used in roof applications, the installer is obliged to verify maximum load capacity of roof before installation.

Complementary
BIS Yeti[®] Ballast Block