

# TECHNICAL DATASHEET



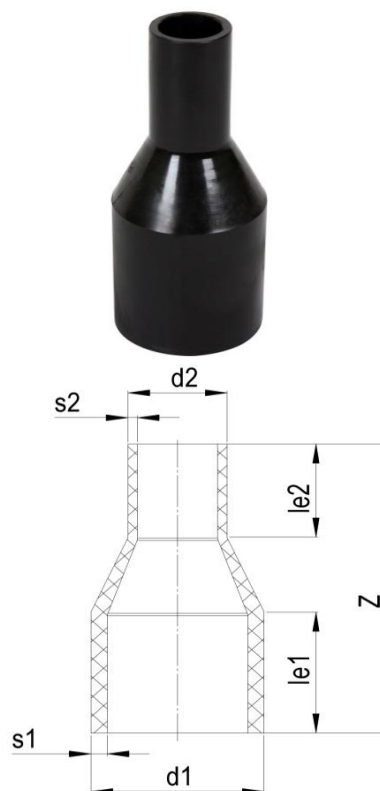
## REDUCER

01 Update -12/2018

### TECHNICAL DATA

Article No	001 115 0080 0318
d1 (mm)	315
d2 (mm)	225
Z (mm)	375
le1 (mm)	150
le2 (mm)	120
s1 (mm)	18.7
s2 (mm)	13.4
Weight (Kg)	6.50
Box Quantity (pcs)	2
Box Dimension (pcs)	36x60x43

### INJECTION MOULDED



### IDENTIFICATION OF PRODUCT

D(mm)	315-225
SDR	17
RAW METARIAL	PE 100
PRESSURE CLASS	10 Bar Water 5 Bar Gas
TRADEMARK	NTG
EXECUTION	Injection Moulded
STANDARD	EN 12201-3 EN 1555-3 AS /NZS 4129

### SPECIFICATION

Long Spigot

Tolerance on diameters and thickness according to the standards. The other dimensions are specialized. Tolerance  $\pm 5\%$ . NTG PLASTIK reserves all the right to change any information without giving prior notice. The production, distribution and utilization of this document without explicit authorization is prohibited.

Fr 161 Rev 00