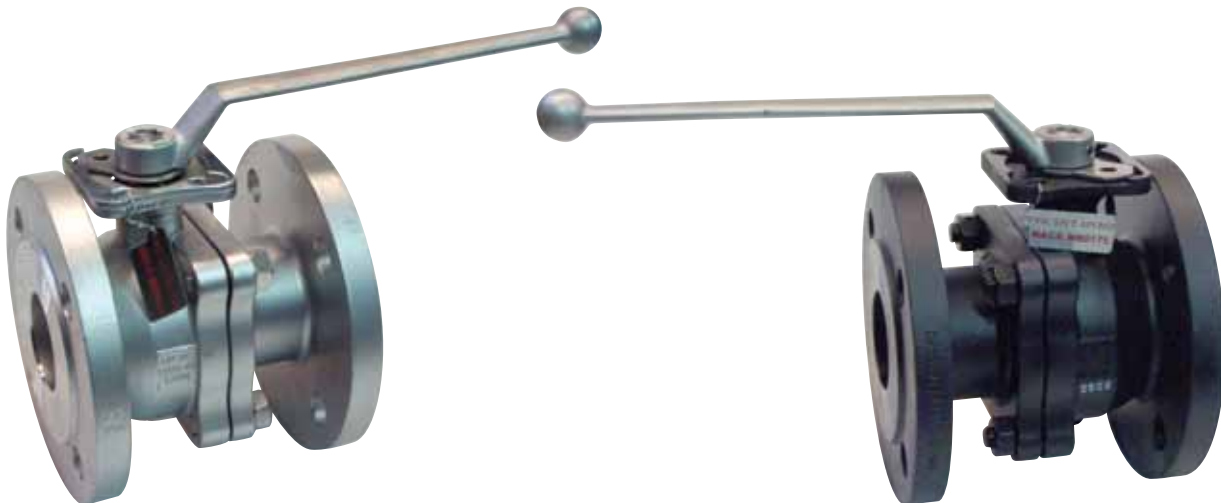


**TO-DELT KULEVENTIL MED FLENSER, TYPE 2019D**
**TWO-PIECE BALL VALVE WITH FLANGES, TYPE 2019D**
**VALVULA BILA CU FLANSE, TIP HAITIMA 2019D**
**ШАРОВОЙ ВЕНТИЛЬ**

**Dimensjoner**

DN 15 - DN 200

**Trykkklasse**

PN 16 / PN 40

ANSI 150LBS (på forespørsel).

**Funksjon og konstruksjon**

To-delt kuleventil med fullt gjennomløp.  
 Montasjeflens for aktuator iht. ISO 5211.  
 Alle dimensjoner leveres med spak.  
 (gir på forespørsel).  
 DN 15 - 150 API 607 Fire Safe Sertifisert.  
 DN 200 Fire Safe Design.

- DNV typegodkjenning
- Utblåsingssikker spindel
- Anti-statisk
- Låsbar spak

**Anvendelsesområde**

Vann, gasser, trykkluft, noen kjemikalier  
 petroleumsprodukter, damp.  
 1.0619 -20°C - 200°C  
 CF8M -40°C - 200°C

**Materialer**

<b>1.0619</b>	
Hus	ASTM A216 - WCB
Kule	ASTM A351 - CF8M
Spindel	ASTM A276 - 316
Sete	CTFE TFM 1600
Pakning	Grafitt
Støtte skive	CTFE
O-Ring	Viton

**CF8M**

Hus	ASTM A351 - CF8M
Kule	ASTM A351 - CF8M
Spindel	ASTM A276 - 316
Sete	CTFE TFM 1600
Pakning	Grafitt
Støtte skive	CTFE
O-Ring	Viton

**Dimensions**

DN 15 - DN 200

**Pressure rating**

PN 16 / PN 40

ANSI 150LBS (on request).

**Features**

Two-piece ball valve, full bore.  
 Mounting pad for actuator acc. to ISO 5211.  
 All sizes lever operated (gearboxes on request).  
 DN 15 - 150 API 607 Fire Safe Approved.  
 DN 200 Fire Safe Design.

- DNV type approval
- Blow-out proof stem
- Anti-static device
- Latch lock lever

**Range of application**

Water, gas, pressurized air, some chemicals,  
 petro chemicals, steam.  
 1.0619 -20°C - 200°C  
 CF8M -40°C - 200°C

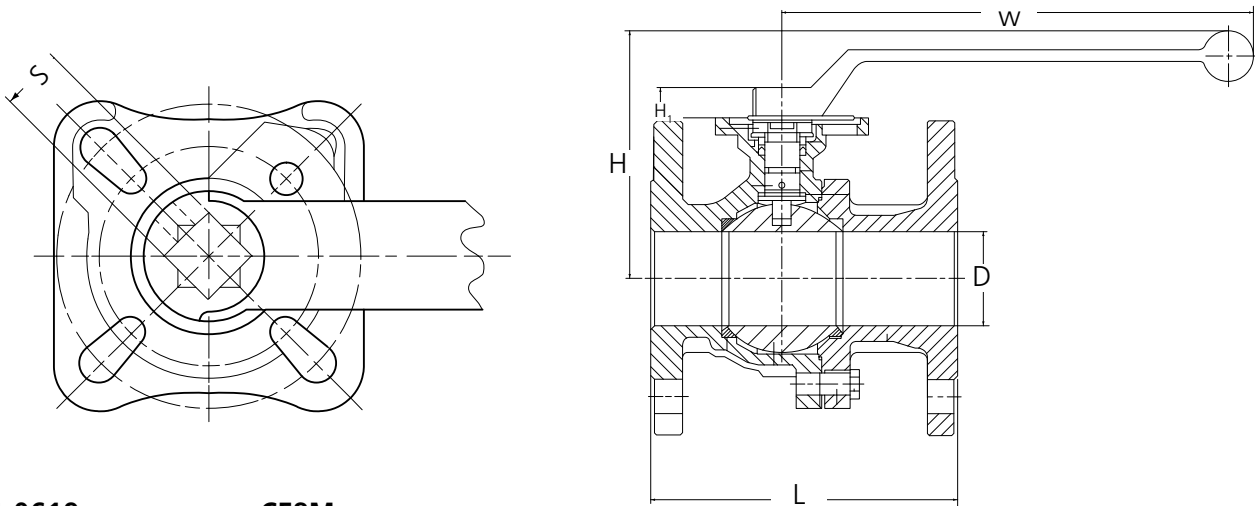
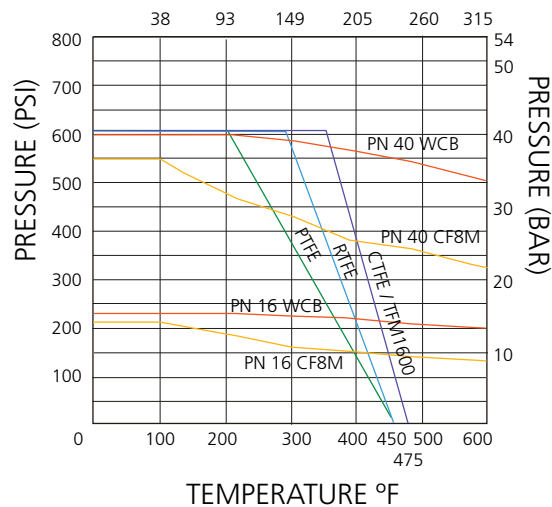
**Materials**

<b>1.0619</b>	
Body	ASTM A216 - WCB
Ball	ASTM A351 - CF8M
Stem	ASTM A276 - 316
Seat	CTFE TFM 1600
Packing	Graphite
Thrust Washer	CTFE
O-Ring	Viton

**CF8M**

Body	ASTM A351 - CF8M
Ball	ASTM A351 - CF8M
Stem	ASTM A276 - 316
Seat	CTFE TFM 1600
Packing	Graphite
Thrust Washer	CTFE
O-Ring	Viton

PRESSURE-TEMPERATURE RATING  
TEMPERATURE °C



1.0619

CF8M

HS Code  8481.4092	HS Code  8481.4091
HS Code Int. 8481.40	HS Code Int. 8481.40

2019D DIN PN 16/40

MÅLTABELL MEASUREMENTS AND PART NO'S

DN	D	L	PN 40	Flens/Flange	H	W	ISO 5211	S	H <sub>1</sub>	Torque / Nm		KG	Matr. 1.0619 NRF nr./Part No.	Matr. 316/CF8M NRF nr./Part No.
										Action	Breakaway			
15	15	115	40	65	86,5	197	F03/F04	9	8,5	3,0	5,2	2,20	5600231	5600243
20	20	120	40	75	89	197	F03/F04	9	8,5	4,7	8,0	2,80	5600232	5600244
25	24	125	40	85	93	197	F04/F05	11	11	9,0	12,5	3,64	5600233	5600245
32	30	130	40	100	106	197	F04/F05	11	11	8,5	12,0	5,30	5600234	5600246
40	38	140	40	110	121	247	F05/F07	14	15	18,0	24,5	6,63	5600235	5600247
50	50	150	40	125	129	247	F05/F07	14	15	23,0	32,0	9,38	5600236	5600248
65	64	170	40	145	158	340	F07/F10	17	22	33,8	40,2	13,75	5600237	5600249
80	76	180	40	160	166	340	F07/F10	17	22	73,1	85,3	17,93	5600238	5600251
100	100	190	40	190	189	340	F10/F12	22	24	73,3	95,7	23,6	5600239	5600252
125	125	325	40	220	263	392	F10/F12	27	28	100,0	160,0	47,00	5600241	5600253
150	150	350	40	250	328	756	F10/F12	27	28	150,0	212,0	74,50	5600242	5600254
65	64	170	16	145	158	340	F07/F10	17	22	28,0	50,0	13,75	5600255	5600262
80	76	180	16	160	166	340	F07/F10	17	22	35,0	70,0	17,93	5600256	5600263
100	100	190	16	180	189	340	F10/F12	22	24	45,0	85,0	23,60	5600257	5600264
125	125	325	16	210	263	392	F10/F12	27	28	100,0	160,0	43,00	5600258	5600265
150	150	350	16	240	328	756	F10/F12	27	28	150,0	212,0	67,00	5600259	5600266
*200	200	400	16	295	343	863	F14	36	36	350,0	470,0	104,00	5600261	5600267

\* GIR FOR 2019 D, NRF NR. 5600269 GEAR FOR 2019 D, PART NO. 5600269