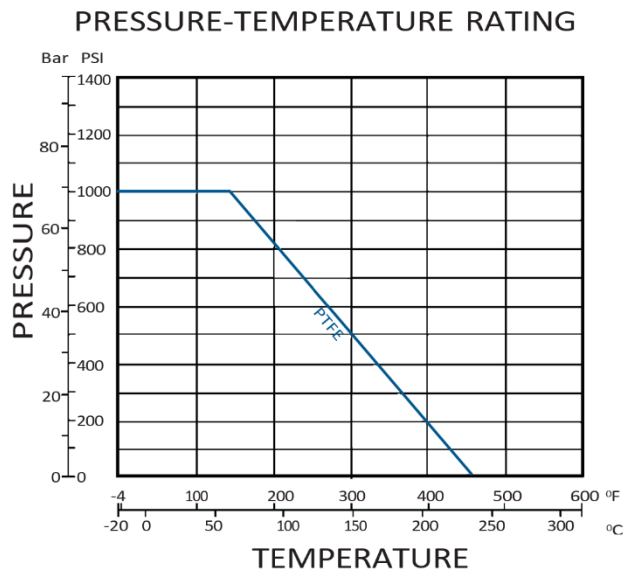


TODELT KULEVENTIL, TYPE HAITIMA 2017K MED REDUSERT LØP

Two-piece ball valve, type Haitima 2017K with reduced bore



Dimensjoner

DN 8 - DN 50

Trykkklasse

1/4"-3" 63 bar ved 40°C

Funksjon og konstruksjon

Kuleventil med redusert løp
Utblåsningssikker spak
Låsbar håndspak

Temperaturområde

-20°C til +200°C

Anvendelsesområde

Ferskvann, kaldt sjøvann, luft, kjemikalier lavtrykksdamp.

Materialbeskrivelse

Hus	Syrefast stål A351-CF8M
Kule	Syrefast stål A351-CF8M
Spindel	Syrefast stål AISI 316
Sete	PTFE
Spindelpakning	PTFE
Spindel	Syrefast stål AISI 316

Anslutningsform

BSP gjenger

Dimensions

DN 8 - DN 50

Pressure range

1/4" to 3" 63 bar at 40°C

Features

Ball valve w/ reduced bore
Blow-out proof stem
Latch lock lever

Temperature range

-20°C to +200°C

Range of applications

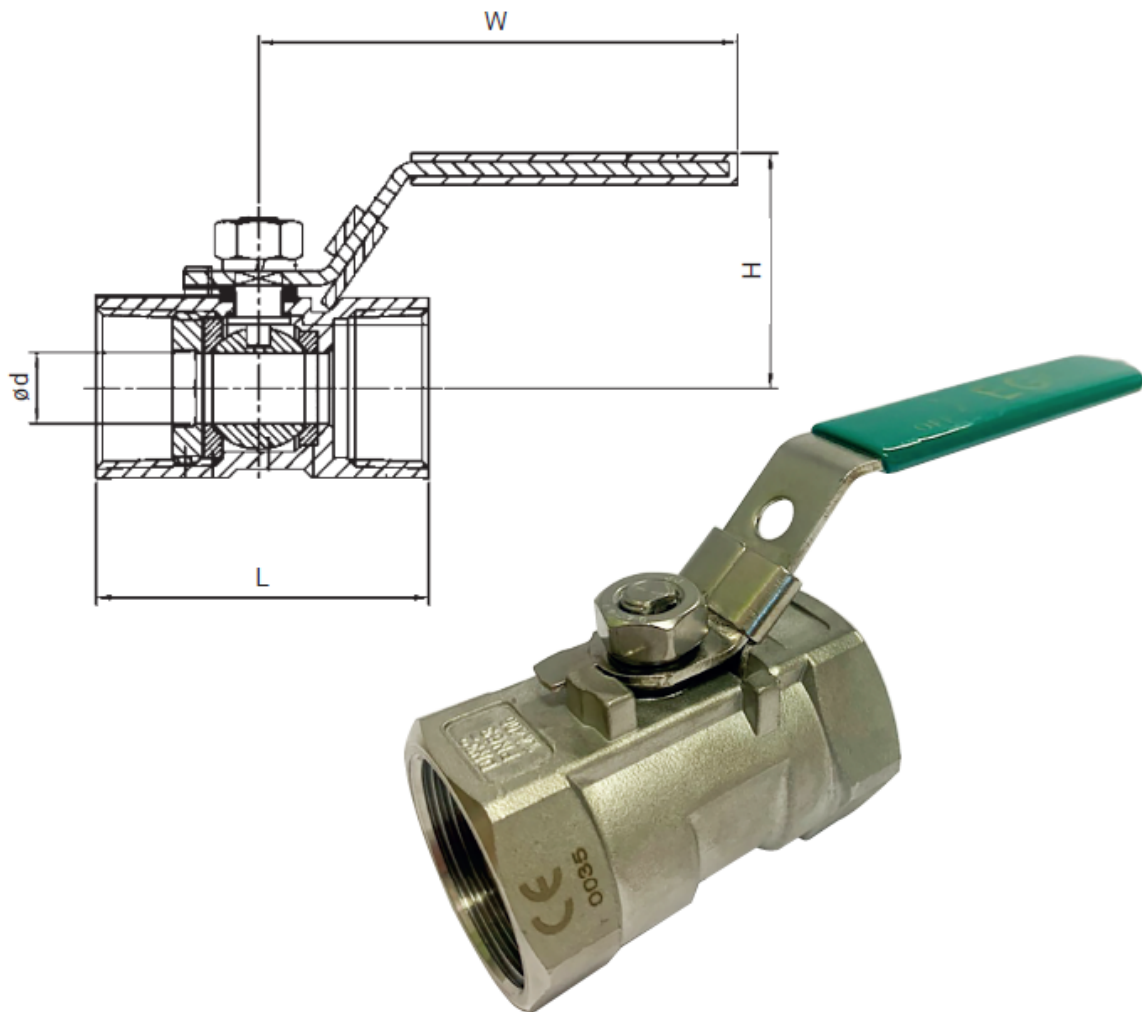
Fresh water, air, certain chemicals that do not attack the internal materials, low pressure steam.

Materials

Body	Stainless steel A351-CF8M
Ball	Stainless steel A351-CF8M
Stem	Stainless steel AISI 316
Seat	PTFE
Stem packing	PTFE
Stem	Stainless steel AISI 316

Socket

BSP threads



HS Code  8481.8094

HS Code Int. 8481.80

MÅLTABELL OG ARTIKKELNUMMER / MEASUREMENTS AND PART NO.

DN	G	d	L	H	W	Nm	Kg	NRF nr./ Part No.
8	1/4"	5	39	33	71	3,9	0,1	5605387
10	3/8"	7	44	35	93	3,9	0,1	5605388
15	1/2"	9,2	55	40	95	5,2	0,2	5605389
20	3/4"	12,5	59	44	95	5,2	0,3	5605391
25	1"	15	69	51	113	7,8	0,4	5605392
32	1 1/4"	20	77	57	113	13	0,7	5605393
40	1 1/2"	25	81	64	141	16,9	0,9	5605394
50	2"	32	97	68	141	24,7	1,4	5605395

Produktansvarlig: Brødrene Dahl AS

Brødrene Dahl AS Brynsengveien 5, 0667 Oslo Tlf. 22 72 55 00

Ra
JIS



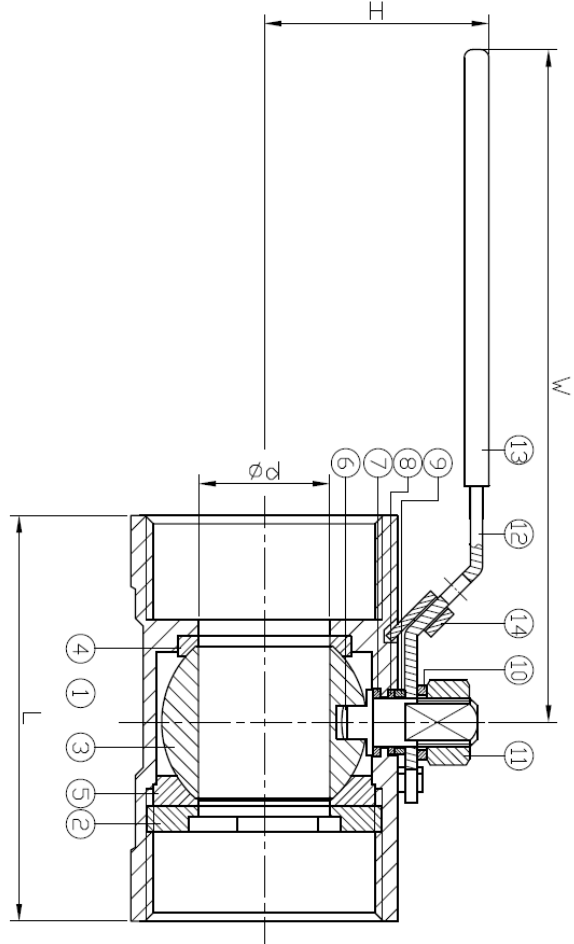
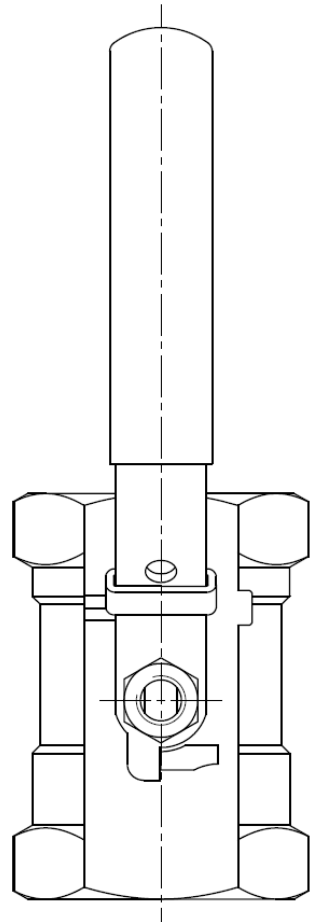
GENERAL TOLERANCE
0.5-0.9
1-1.2
1.5-3
3-6
6-12
12-18
18-30
30-48
48-75
75-120
121-180
181-250
251-360
361-500

DN	d	L	H	W	Weight (kg)	Torque (N·M)
8	5	39	28.5	65	0.1	2.6
10	7	44	31	88	0.1	2.6
15	9.2	56.5	38	110	0.2	3.3
20	12.5	59	40	110	0.2	4.6
25	15	71	47	110	0.4	7.8
32	20	78	52	110	0.5	9.1
40	25	83	58.5	155	0.8	15.6
50	32	99	64.5	155	1.3	20.8

NPS	d	L	H	W	Weight (lb)	Torque (in·lb)
1/4"	0.2	1.54	1.12	2.56	0.2	23
3/8"	0.28	1.73	1.22	3.46	0.2	23
1/2"	0.36	2.22	1.5	4.33	0.4	29.2
3/4"	0.49	2.32	1.57	4.33	0.4	40.7
1"	0.59	2.8	1.85	4.33	0.9	69
1-1/4"	0.79	3.07	2.05	4.33	1.1	80.5
1-1/2"	0.98	3.27	2.3	6.1	1.8	138.1
2"	1.26	3.9	2.54	6.1	2.9	184.1

unit:mm

ITEM	PARTS	MATERIAL
1	BODY	ASTM A351-CF8M
2	RETAINER	1.4408
3	BALL	ASTM A351-CF8M
4	SEAT A	PTFE / RTFE
5	SEAT B	PTFE / RTFE
6	STEM	316
7	THRUST WASHER	304
8	PACKING	PTFE
9	GLAND RING	PTFE
10	SPRING WASHER	304
11	STEM NUT	304
12	HANDLE	STAINLESS STEEL
13	HANDLE SLEEVE	PVC
14	LOCK DEVICE	304



CHECK BY	DRAWN BY	DATE	SPECIFICATION
	<i>Steen</i>	Jun.23.2020	1-PC Screwed End Ball Valve 1000 WOG
			MATERIAL
			CF8M/CF8
			PROCESS/IN
			UNIT / SCALE
			mm

Revise	torque	Date	Approve
Δ	Revise torque	06/23/2020	Ray
Δ	Description		

DRAWING NO. **2017K018GD-20**