



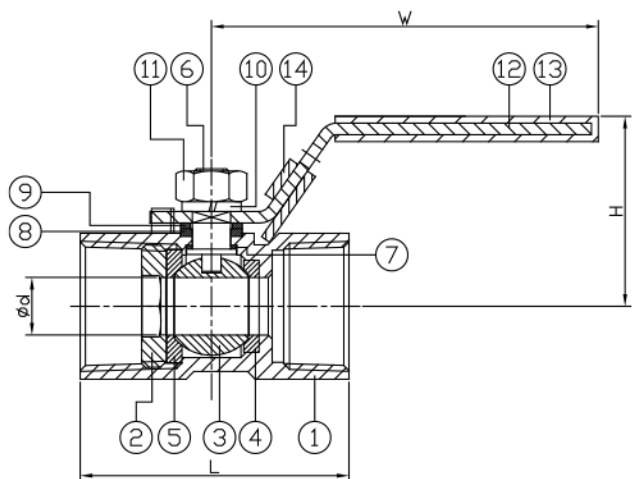
1-PC. SCREWED END BALL VALVE

2017K

FEATURES



- Reduced port, 1/4"~3" (DN8~DN80)
 - W.P. : 1000 WOG (PN63)
 - W.T. : -20°C~200°C (-4°F~392°F)
 - Investment casting
 - Blow-out proof stem
 - Anti-static device (option)
 - Locking device
- Thread type : ASME B1.20.1 (NPT)
DIN2999 & BS21
ISO7/1 & EN10226



ITEM	PARTS	MATERIAL	
1	BODY	ASTM A351-CF8M	ASTM A351-CF8
2	RETAINER		
3	BALL	PTFE / RTFE	
4	SEAT A	PTFE / RTFE	
5	SEAT B		
6	STEM	AISI 316	
7	THRUST WASHER	PTFE	
8	PACKING	PTFE	
9	GLAND RING	AISI 304	
10	SPRING WASHER		
11	STEM NUT	AISI 304	
12	HANDLE	STAINLESS STEEL	
13	HANDLE SLEEVE	PVC	
14	LOCKING DEVICE	STAINLESS STEEL	

DN	d	L	H	W	Torque (N-M)	Weight (kg)
8	5	39	33	71	3.9	0.1
10	7	44	35	93	3.9	0.1
15	9.2	55	40	95	5.2	0.2
20	12.5	59	44	95	5.2	0.3
25	15	69	51	113	7.8	0.4
32	20	77	57	113	13	0.7
40	25	81	64	141	16.9	0.9
50	32	97	68	141	24.7	1.4
65	38	128	85	189	32.5	-
80	50	153	90	189	52	-

unit:mm

NPS	d	L	H	W	Torque (in-lb)	Weight (lb)
1/4"	0.2	1.54	1.3	2.8	34.5	0.2
3/8"	0.28	1.73	1.38	3.66	34.5	0.2
1/2"	0.36	2.17	1.57	3.74	46	0.4
3/4"	0.49	2.32	1.73	3.74	46	0.7
1"	0.59	2.72	2.01	4.45	69	0.9
1-1/4"	0.79	3.03	2.24	4.45	115.1	1.5
1-1/2"	0.98	3.19	2.52	5.55	149.6	2
2"	1.26	3.82	2.68	5.55	218.6	3.1
2-1/2"	1.5	5.04	3.35	7.44	287.6	-
3"	1.97	6.02	3.54	7.44	460.2	-

unit:in