



Oras Safira

Installation and maintenance guide





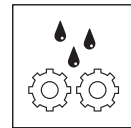
4-13



14-18



18



19-25

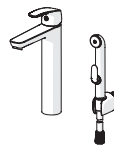
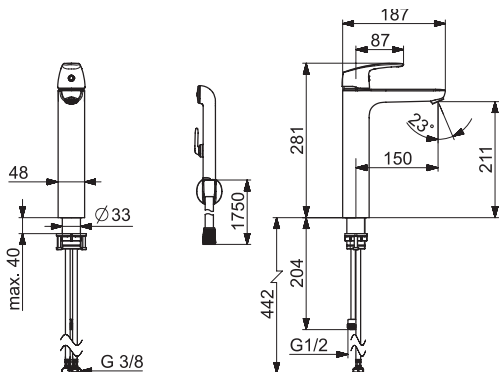


26



1002F, 1002F-33

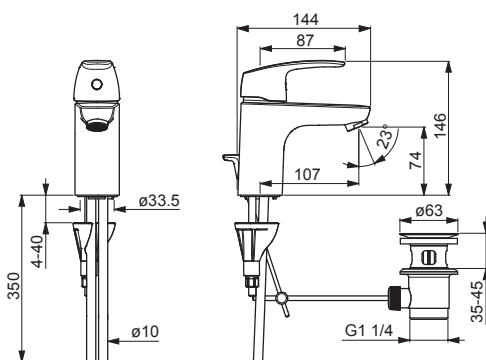
I (ISO 3822)
 EN 817
 50 - 1000 kPa
 0.2 l/s (300 kPa)
 75 kPa (0.1 l/s)
 max. +80°C



mpi.oras.com/1002F

1004

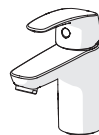
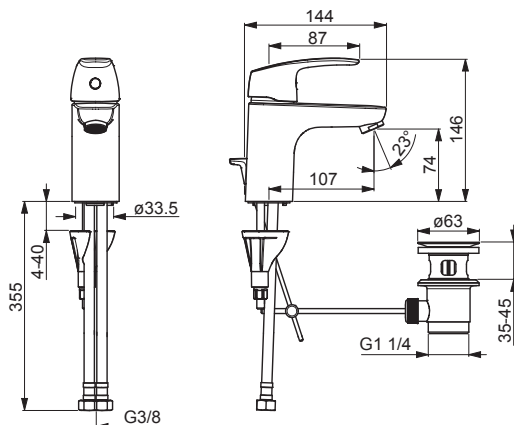
I (ISO 3822)
 EN 817
 50 - 1000 kPa
 0.2 l/s (300 kPa)
 75 kPa (0.1 l/s)
 max. +80°C



mpi.oras.com/1004

1004F

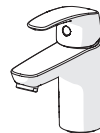
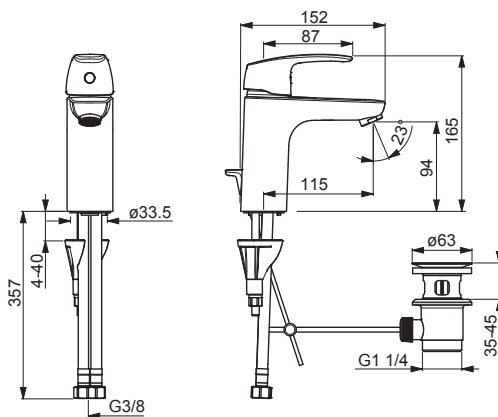
I (ISO 3822) Oras lab.
 EN 817
 50 - 1000 kPa
 0.18 l/s (300 kPa)
 95 kPa (0.1 l/s)
 max. +80°C



mpi.oras.com/1004F

1005F

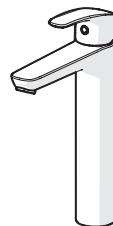
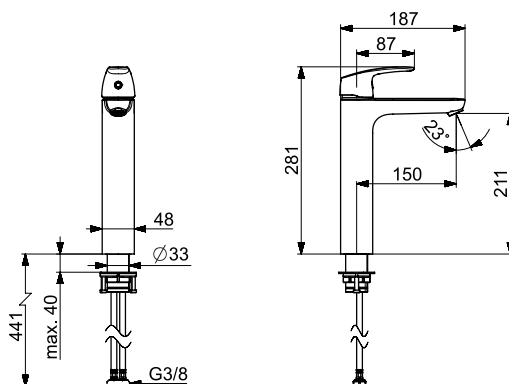
I (ISO 3822)
 EN 817
 50 - 1000 kPa
 0.18 l/s (300 kPa)
 95 kPa (0.1 l/s)
 max. +80°C



mpi.oras.com/1005F

1006F, 1006F-33

I (ISO 3822)
 EN 817
 50 - 1000 kPa
 0.18 l/s (300 kPa)
 95 kPa (0.1 l/s)
 max. +80°C

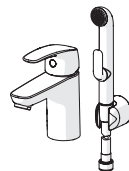
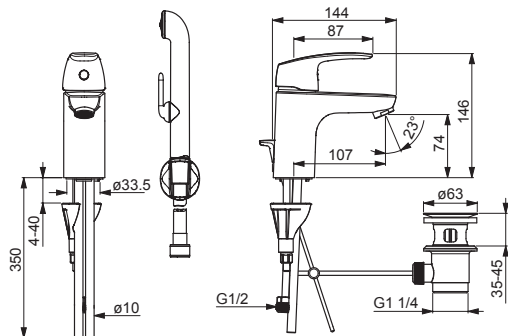


mpi.oras.com/1006F



1008

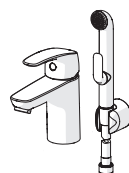
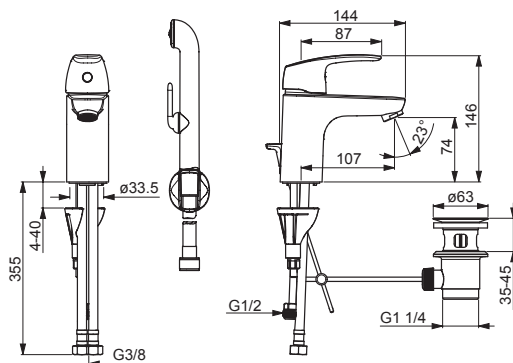
I (ISO 3822)
EN 817
50 - 1000 kPa
0.15 l/s (300 kPa)
130 kPa (0.1 l/s)
max. +80°C



mpi.oras.com/1008

1008F

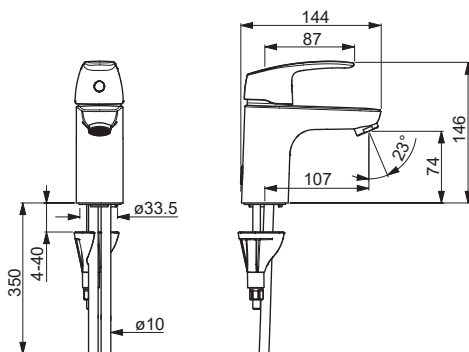
I (ISO 3822) Oras lab.
EN 817
50 - 1000 kPa
0.13 l/s (300 kPa)
160 kPa (0.1 l/s)
max. +80°C



mpi.oras.com/1008F

1010

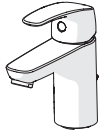
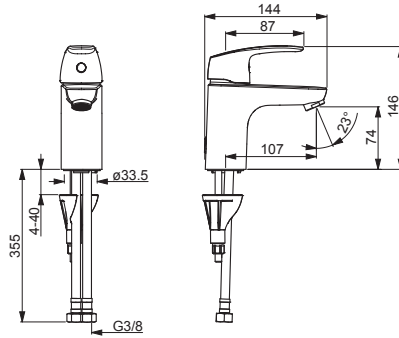
I (ISO 3822)
EN 817
50 - 1000 kPa
0.2 l/s (300 kPa)
75 kPa (0.1 l/s)
max. +80°C



mpi.oras.com/1010

1010F , 1010F-104 , 1010F-105

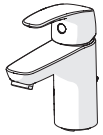
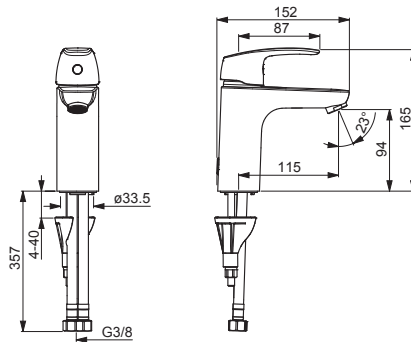
I (ISO 3822) Oras lab.
 EN 817
 50 - 1000 kPa
 0.18 l/s (300 kPa)
 0.056 l/s (300 kPa w/Controller) 1010F-104
 0.07 l/s (300 kPa w/Controller) 1010F-105
 95 kPa (0.1 l/s)
 max. +80°C



mpi.oras.com/1010F

1011F

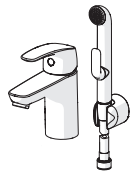
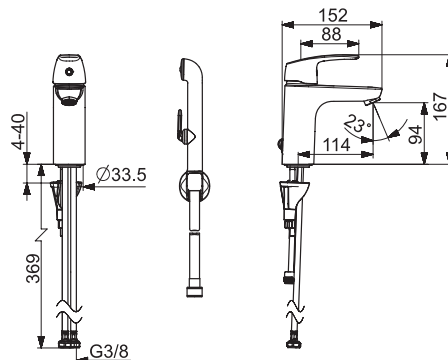
I (ISO 3822)
 EN 817
 50 - 1000 kPa
 0.18 l/s (300 kPa)
 95 kPa (0.1 l/s)
 max. +80°C



mpi.oras.com/1011F

1001F

I (ISO 3822) Oras lab.
 EN 817
 50 - 1000 kPa
 0.13 l/s (300 kPa)
 160 kPa (0.1 l/s)
 max. +80°C

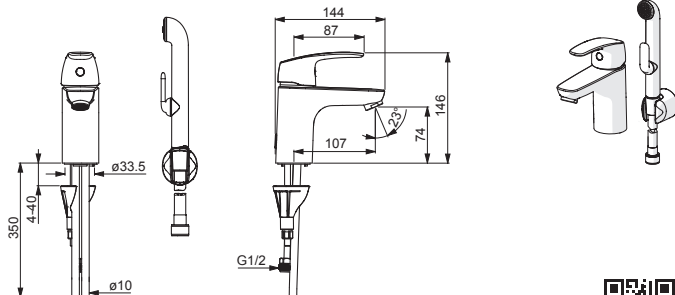


mpi.oras.com/1001F



1012

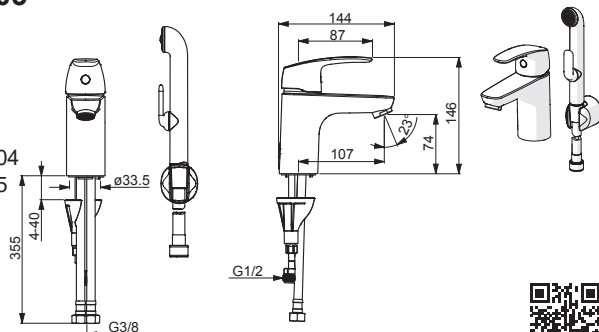
I (ISO 3822)
 EN 817
 50 - 1000 kPa
 0.15 l/s (300 kPa)
 130 kPa (0.1 l/s)
 max. +80°C



mpi.oras.com/1012

1012F , 1012F-104 , 1012F-105

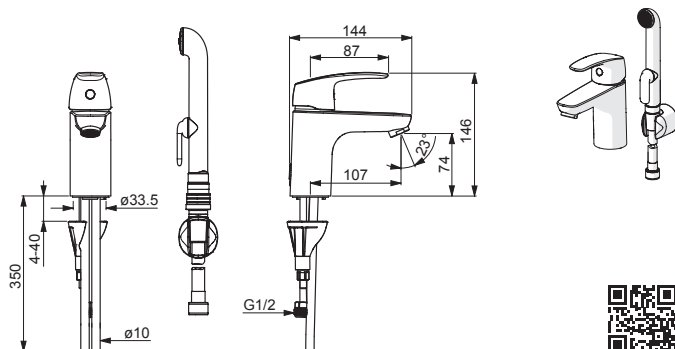
I (ISO 3822) Oras lab.
 EN 817
 50 - 1000 kPa
 0.13 l/s (300 kPa)
 0.056 l/s (300 kPa w/Controller) 1012F-104
 0.07 l/s (300 kPa w/Controller) 1012F-105
 160 kPa (0.1 l/s)
 max. +80°C



mpi.oras.com/1012F

1012M

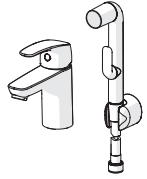
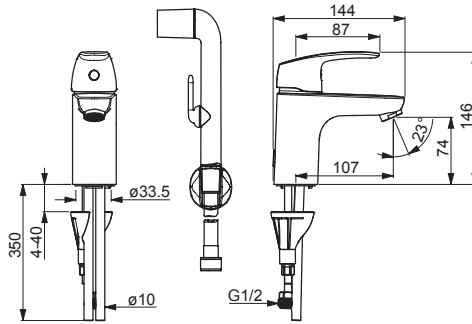
I (ISO 3822) Oras lab.
 EN 817
 50 - 1000 kPa
 0.15 l/s (300 kPa)
 130 kPa (0.1 l/s)
 max. +80°C



mpi.oras.com/1012M

1017

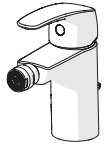
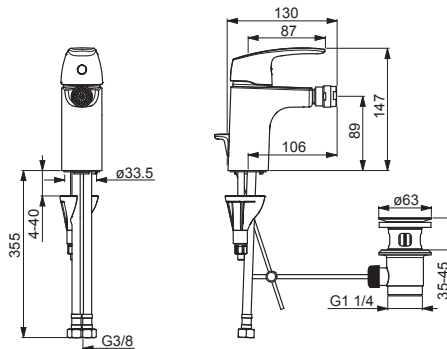
I (ISO 3822)
 EN 817
 50 - 1000 kPa
 0.15 l/s (300 kPa)
 130 kPa (0.1 l/s)
 max. +80°C



mpi.oras.com/1017

1018F

I (ISO 3822) Oras lab.
 EN 817
 50 - 1000 kPa
 0.17 l/s (300 kPa)
 100 kPa (0.1 l/s)
 max. +80°C

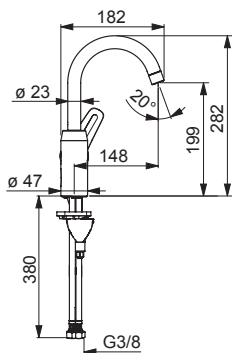
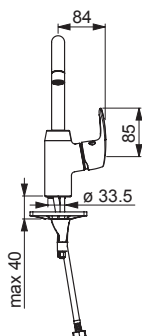


mpi.oras.com/1018F



1007F

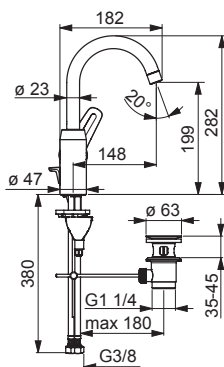
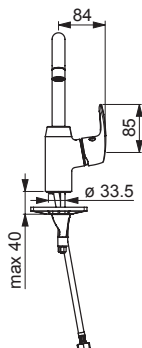
I (ISO 3822)
EN 817
50 - 1000 kPa
0.17 l/s (300 kPa)
100 kPa (0.1 l/s)
max. +80°C



mpi.oras.com/1007F

1009F

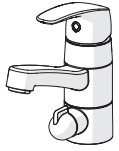
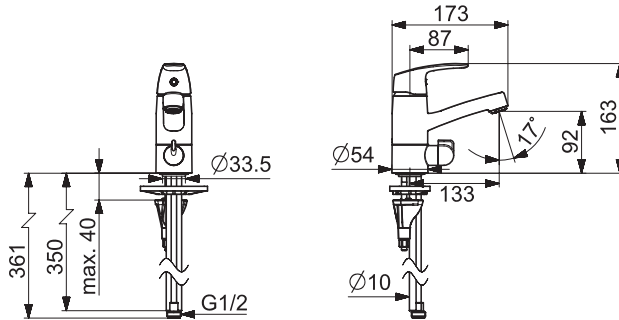
I (ISO 3822) Oras lab.
EN 817
50 - 1000 kPa
0.17 l/s (300 kPa)
100 kPa (0.1 l/s)
max. +80°C



mpi.oras.com/1009F

1013

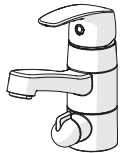
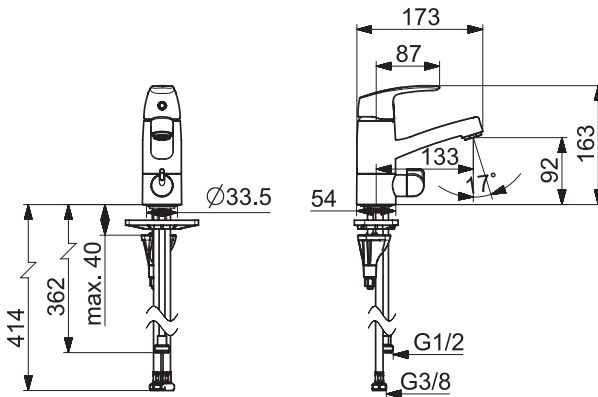
I (ISO 3822)
 EN 817
 50 - 1000 kPa
 0.2 l/s (300 kPa)
 75 kPa (0.1 l/s)
 max. +80°C



mpi.oras.com/1013

1013F

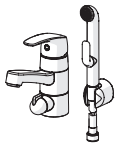
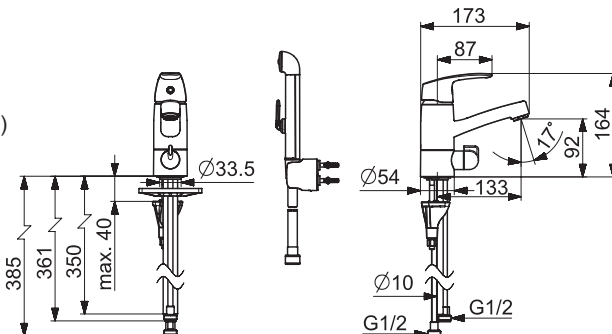
I (ISO 3822)
 EN 817
 50 - 1000 kPa
 0.19 l/s (300 kPa)
 90 kPa (0.2 l/s)
 max. +80°C



mpi.oras.com/1013F

1014

I (ISO 3822)
 EN 817
 50 - 1000 kPa
 0.15 l/s (300 kPa)
 130 kPa (0.1 l/s)
 max. +80°C

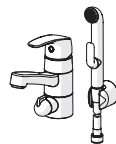
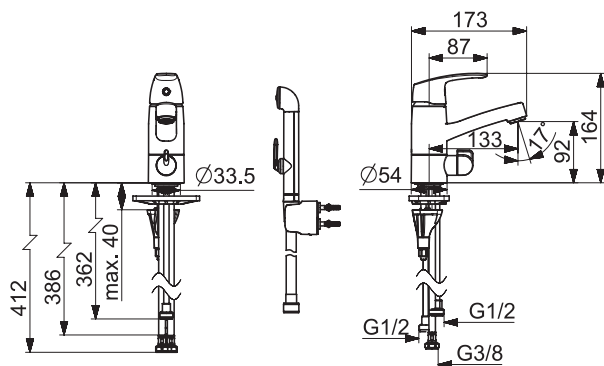


mpi.oras.com/1014



1014F

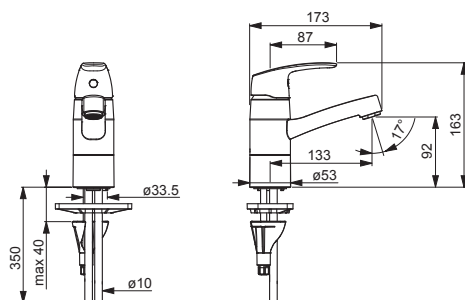
I (ISO 3822)
 EN 817
 50 - 1000 kPa
 0.14 l/s (300 kPa)
 160 kPa (0.2 l/s)
 max. +80°C



mpi.oras.com/1014F

1015

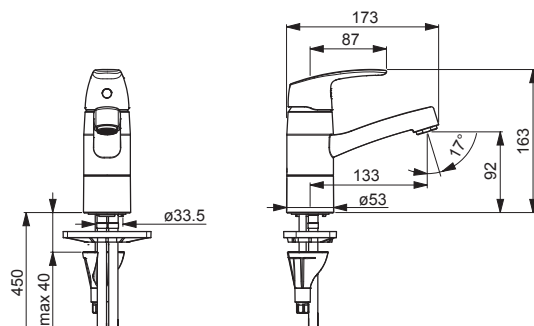
I (ISO 3822)
 EN 817
 50 - 1000 kPa
 0.2 l/s (300 kPa)
 75 kPa (0.1 l/s)
 max. +80°C



mpi.oras.com/1015

1015F

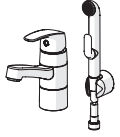
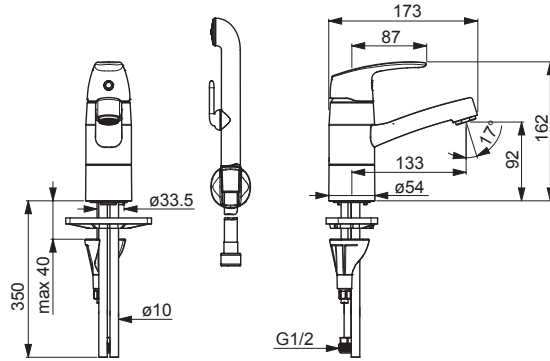
I (ISO 3822) Oras lab.
 EN 817
 50 - 1000 kPa
 0.18 l/s (300 kPa)
 95 kPa (0.1 l/s)
 max. +80°C



mpi.oras.com/1015F

1021

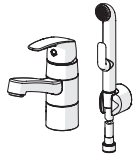
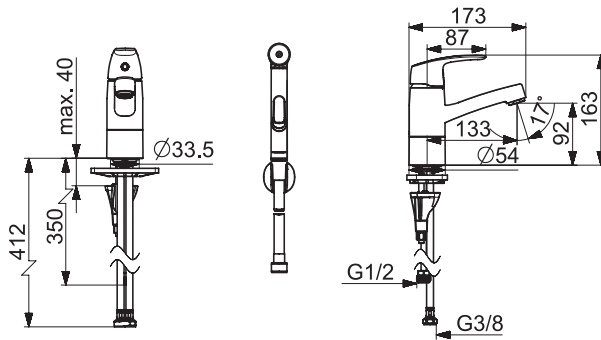
I (ISO 3822)
 EN 817
 50 - 1000 kPa
 0.15 l/s (300 kPa)
 130 kPa (0.1 l/s)
 max. +80°C



mpi.oras.com/1021

1021F

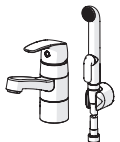
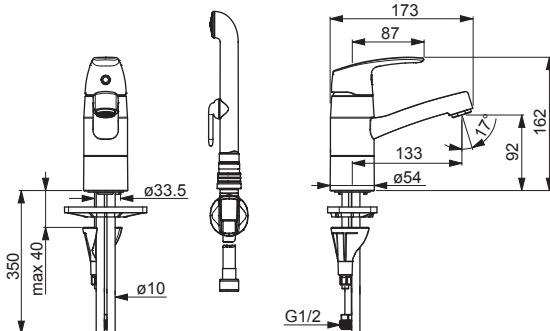
I (ISO 3822)
 EN 817
 50 - 1000 kPa
 0.14 l/s (300 kPa)
 160 kPa (0.2 l/s)
 max. +80°C



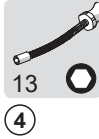
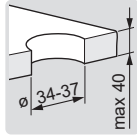
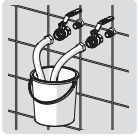
mpi.oras.com/1021F

1021M

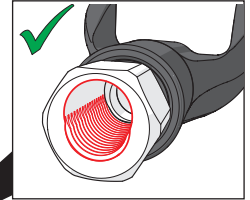
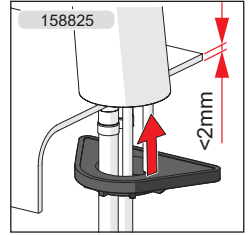
I (ISO 3822)
 EN 817
 50 - 1000 kPa
 0.15 l/s (300 kPa)
 130 kPa (0.1 l/s)
 max. +80°C



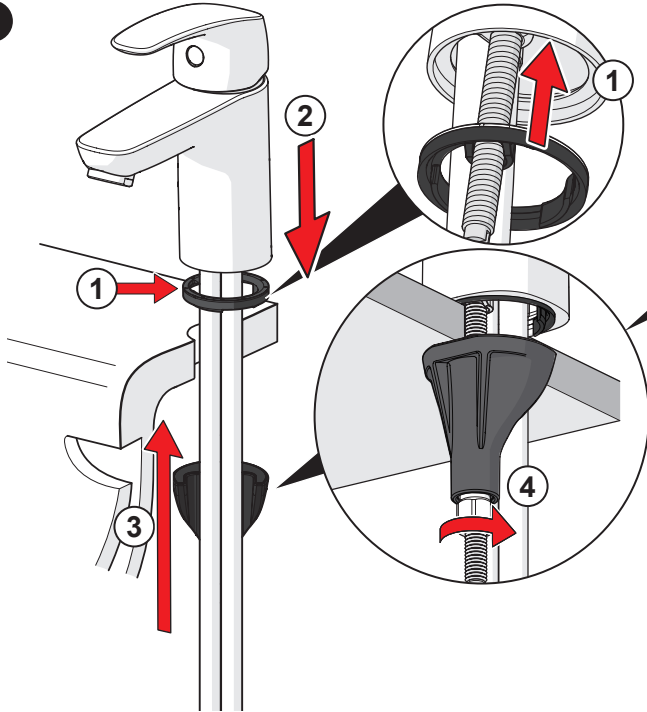
mpi.oras.com/1021M

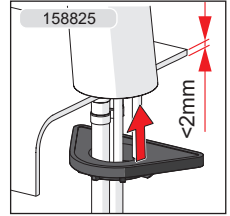
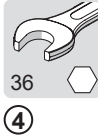
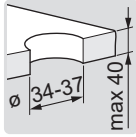
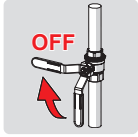


4

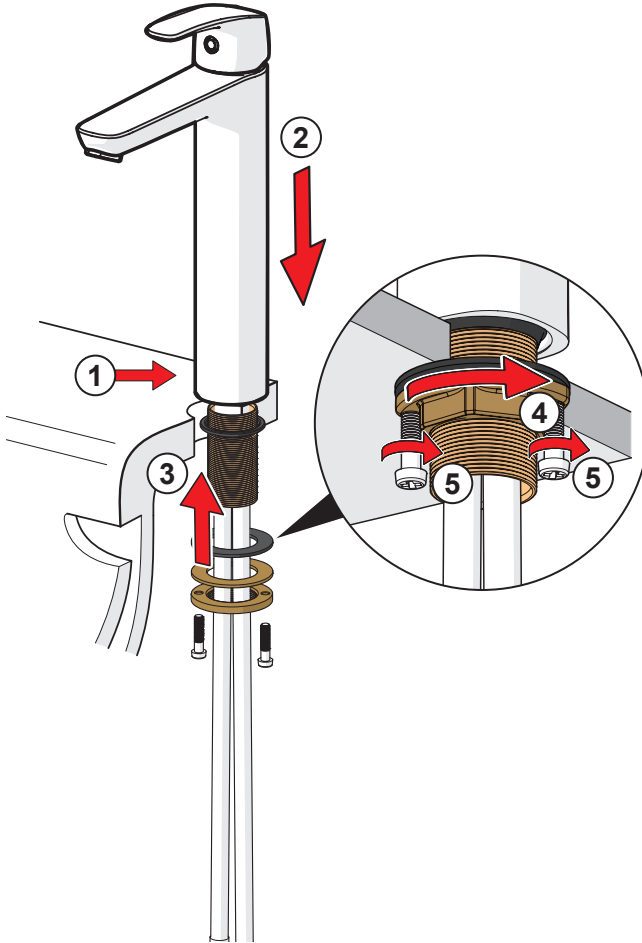


1





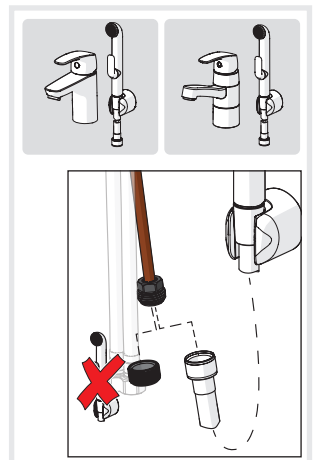
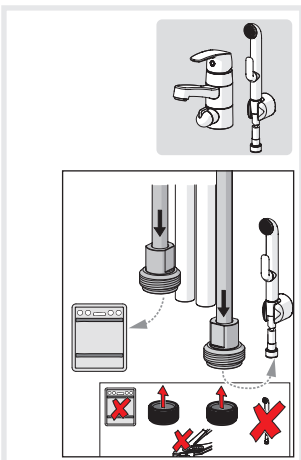
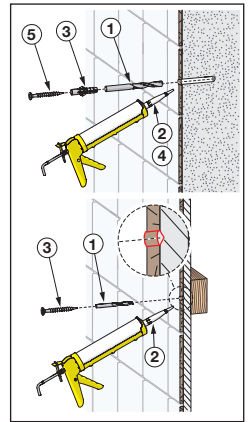
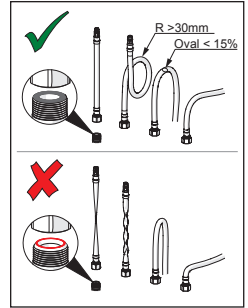
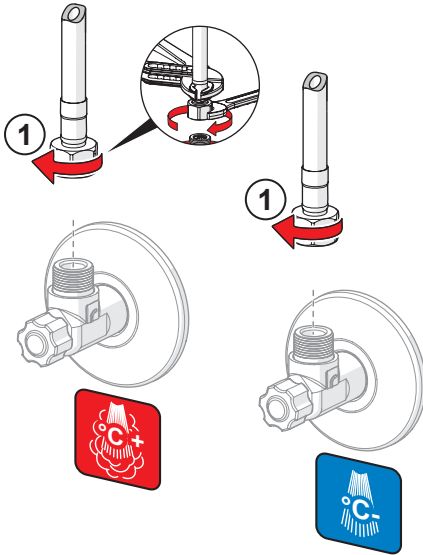
1





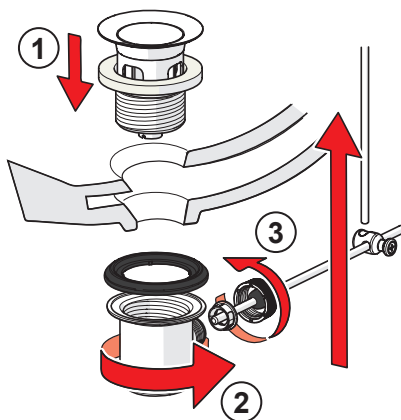
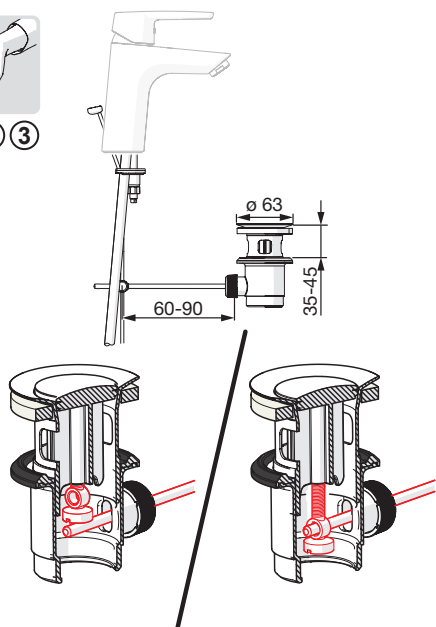
①

max.
1600 kPa



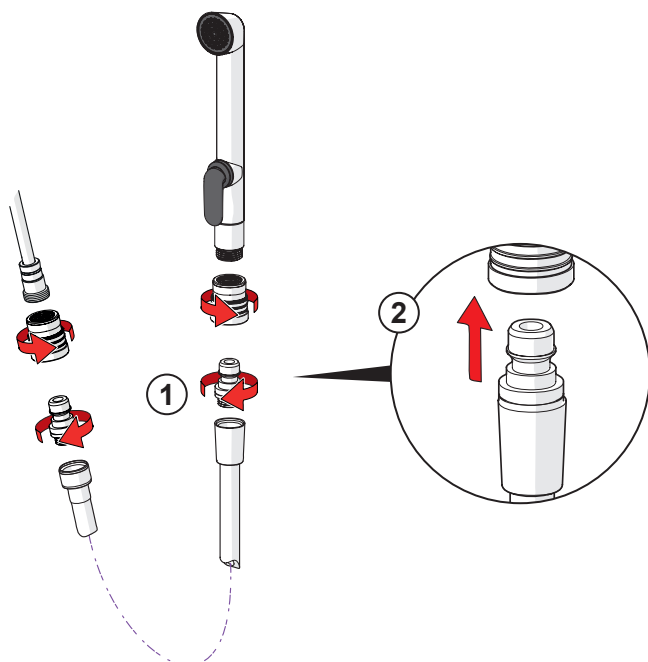


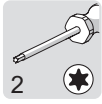
① ② ③



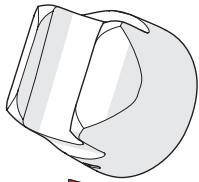
① ②

② 1012M, 1021M

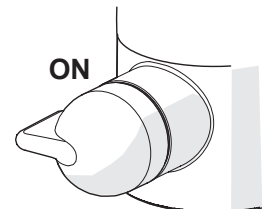
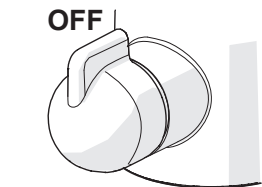
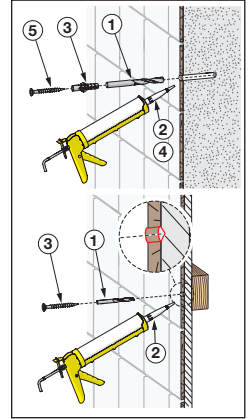
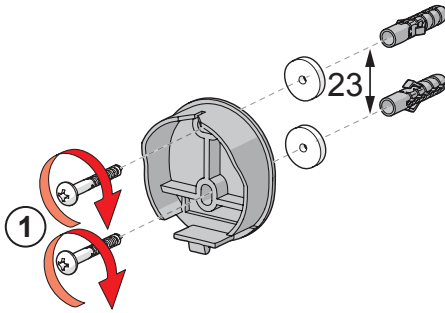


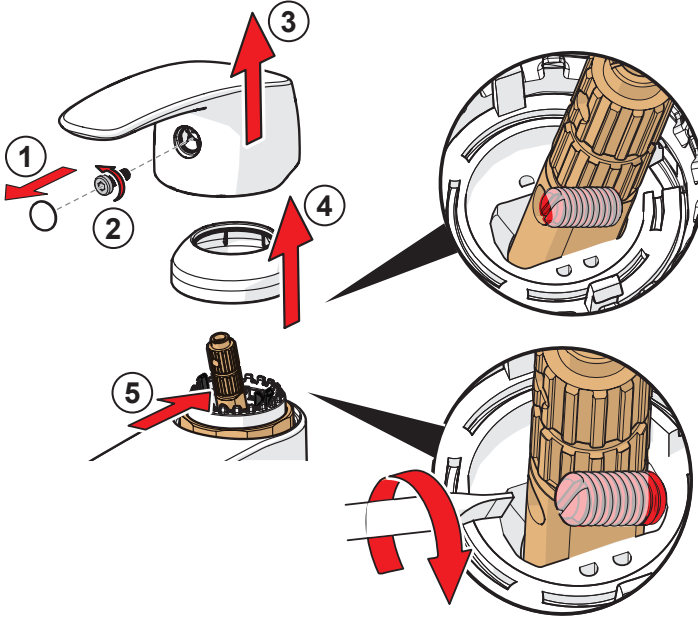
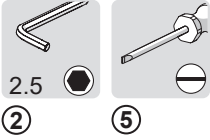
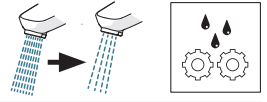


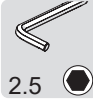
1



2

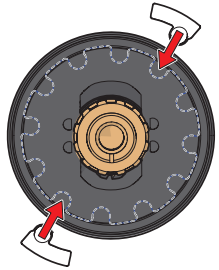
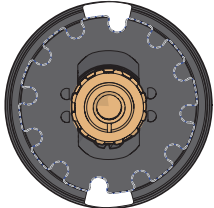
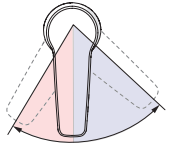
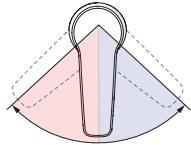
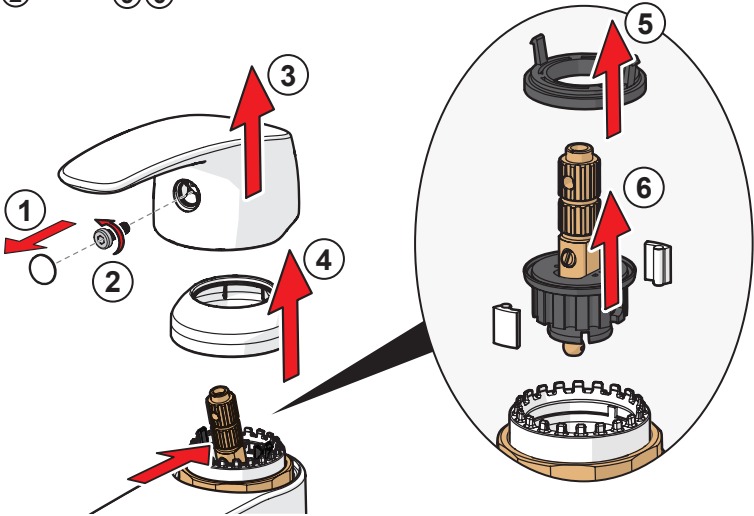


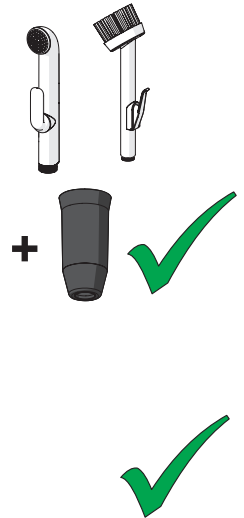
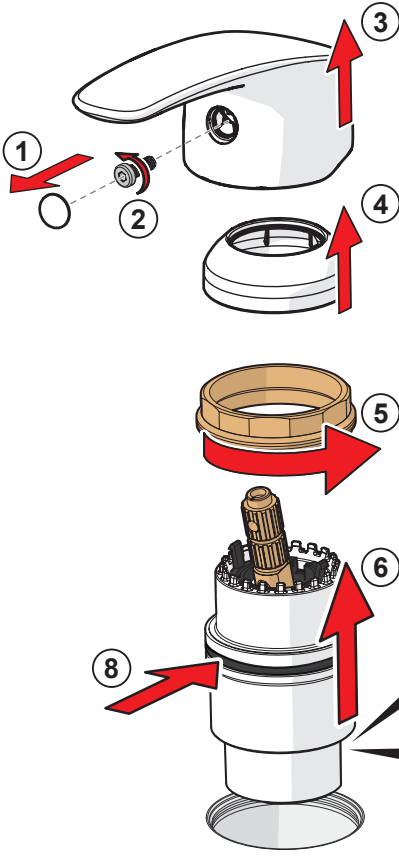
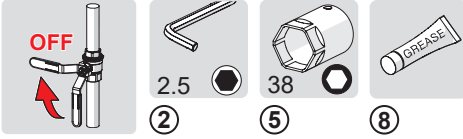


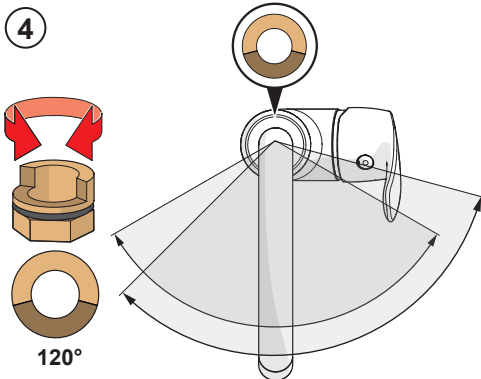
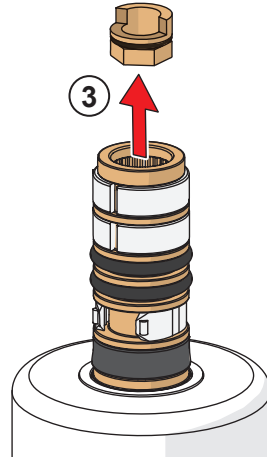
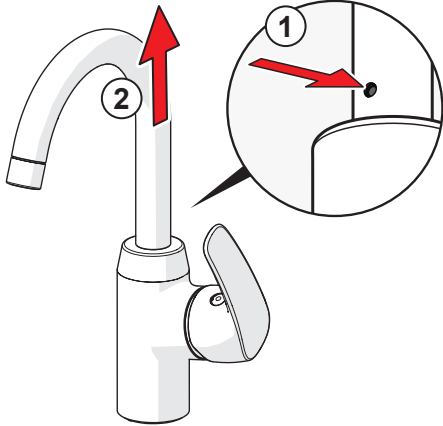
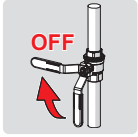


②

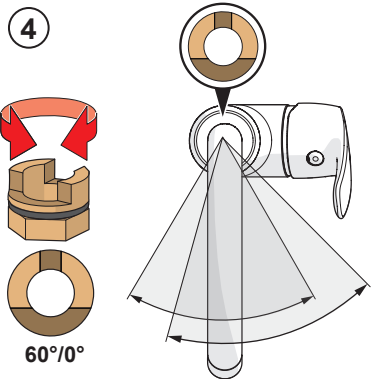
⑤ ⑥



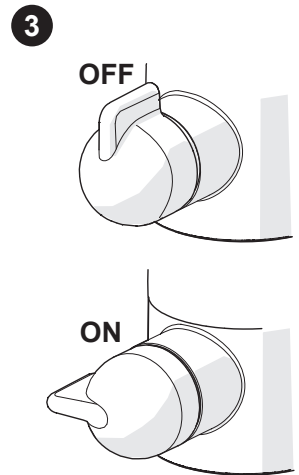
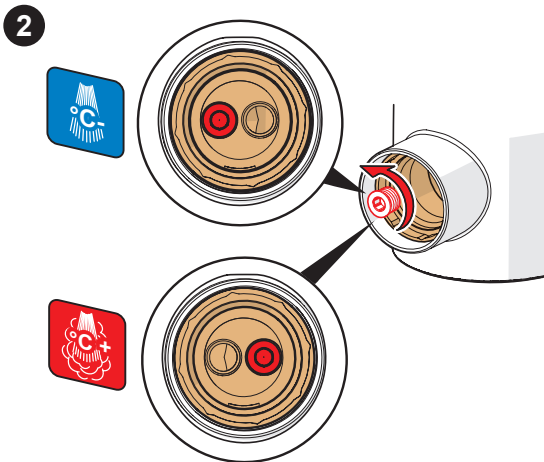
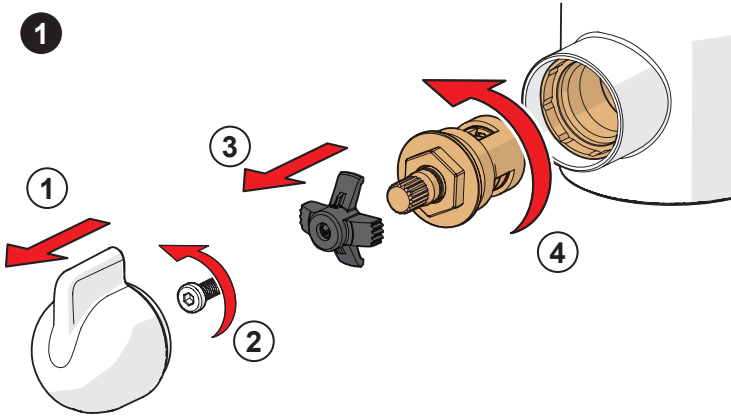
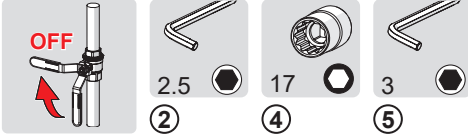




159670/10



159667/10





A1



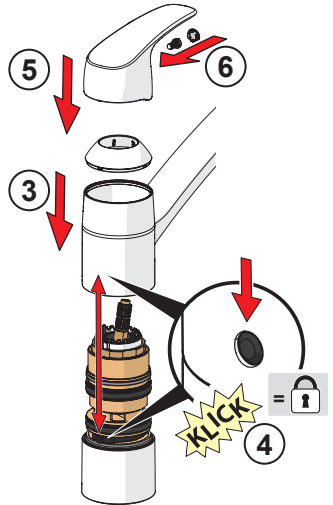
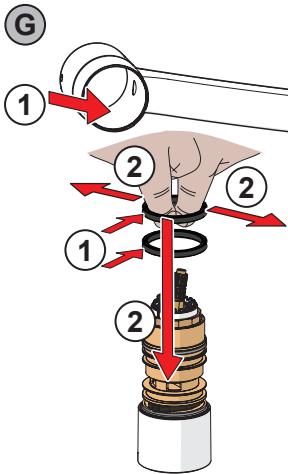
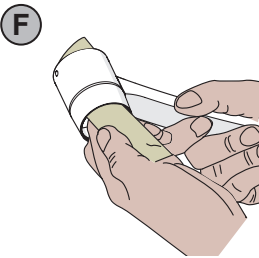
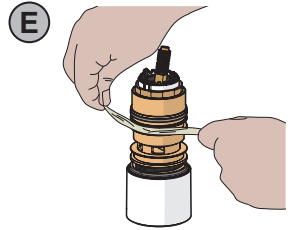
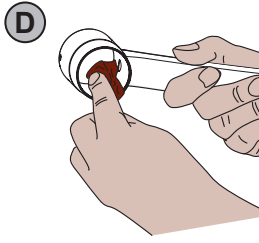
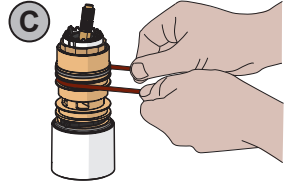
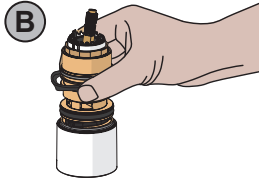
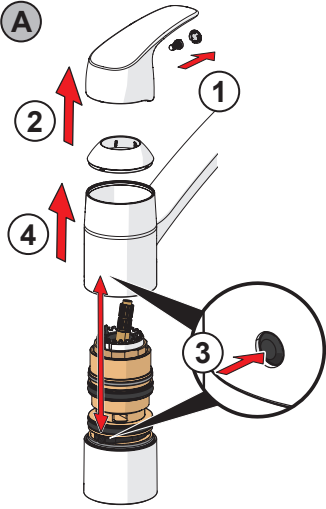
G1

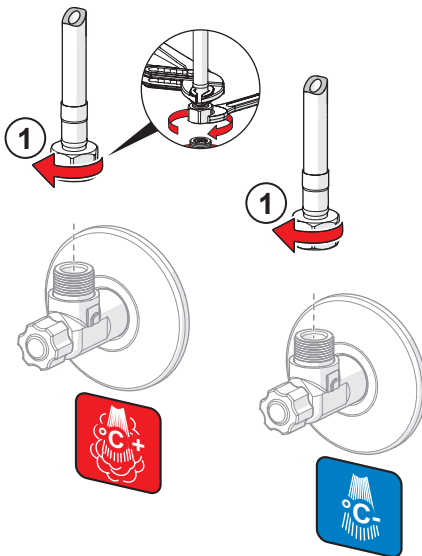
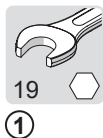
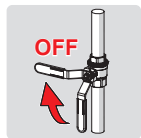


G2

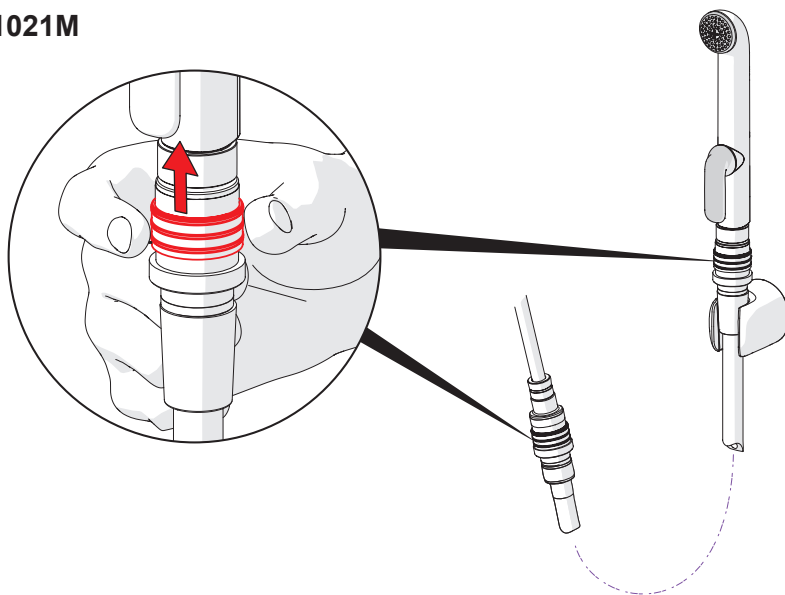


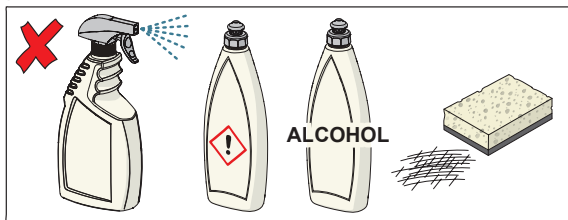
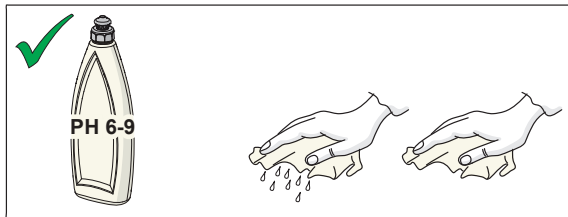
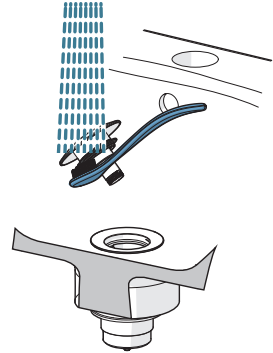
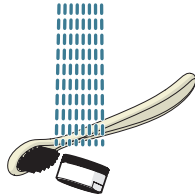
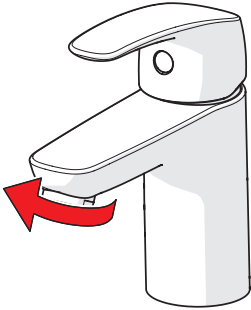
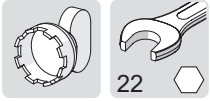
G6





1012M, 1021M





cleaning.oras.com

Oras Group is a powerful European provider of sanitary fittings: the market leader in the Nordics and a leading company in Continental Europe. The company's mission is to make the use of water easy and sustainable and its vision is to become the European leader of advanced sanitary fittings. Oras Group has two strong brands: Oras and Hansa.

The Group's head office is located in Rauma, Finland, and the Group has three manufacturing sites: Kralovice (Czech Republic), Olesno (Poland) and Rauma (Finland). Oras Group employs approximately 1,200 people in twenty countries. Oras Group is owned by Oras Invest, a family company and an industrial owner.

ORAS Ltd
Isometsäntie 2, P.O. Box 40
FI-26101 Rauma
Tel. +358 2 83 161
Fax +358 2 831 6300
info.finland@oras.com
www.oras.com



943237-04-22