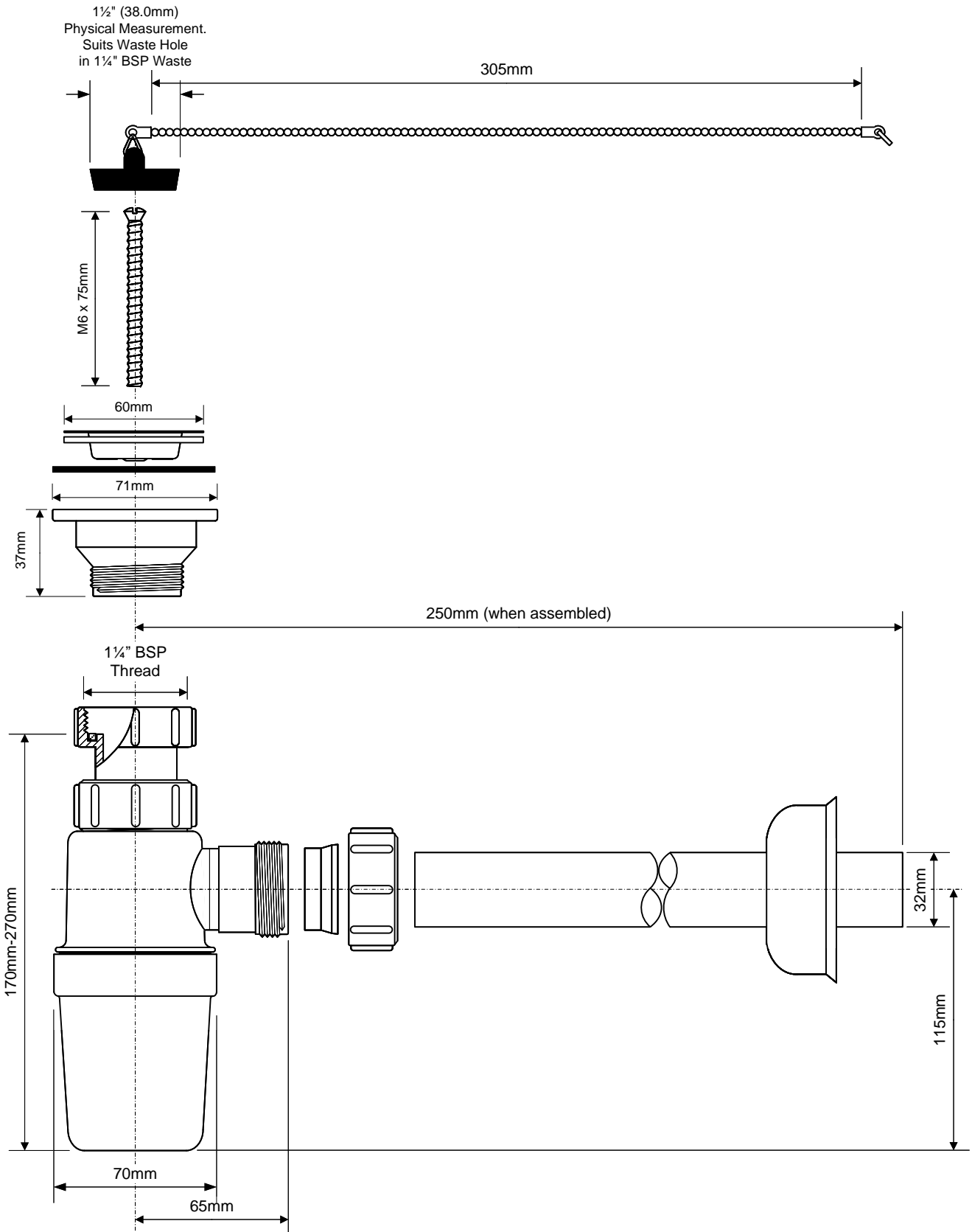


Code:

E31AWPFC-B



Water Seal: 75mm



McALPINE

Drawing verified
correct as of:

16.02.11
T.C.

DRAWN BY

TC

SCALE

1: 2.4

REVISED

- 1-Redrawn to scale (TC 13.10.11)
- 2-Add P-SPW-60MM (TC 19.11.14 c/n J605)
- 3-Add water seal & pg2 (TC 21.01.22)

FILENAME
E31AWPFC-
B_20220124122846.VSD
DATE

13.10.11