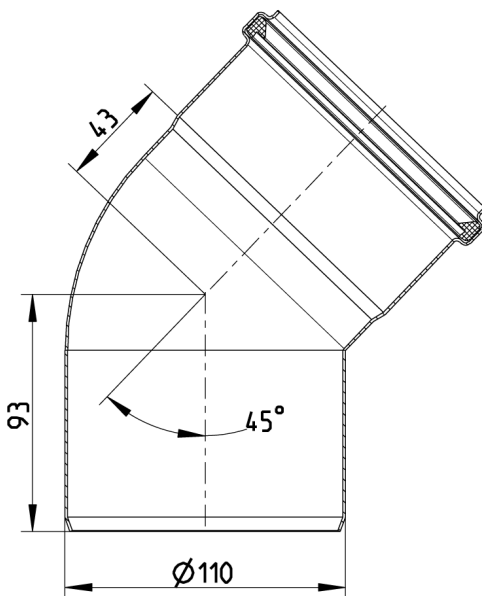


BEND 45°, Ø110MM
 - Syrefast stål: AISI316L/EN1.4404



Type nr.: 820.045.110 S
 EAN nr.: 5705499401356
 VVS nr.: 160205410
 RSK nr.: 1550291
 NRF nr.: 2170756
 LVI nr.: 0250684

Type: Bend
 Utløpsdia. (mm): 110
 Vinkel (°): 45
 Vekt (kg): 0,56
 Materiale: AISI 316L
 Materiale: EN 1.4404



Godkjenninger

ABS - 04-LD472768/3
 Achilles - 25316-17
 AUS - WMKT00204 - 18
 Bureau Veritas - 02375-G0
 DE - LGA Certificate 57214035 a
 DK - VA 2.12/19349-16
 DK - VA 2.12/19350-16
 DNV - TAP0000023-rev1
 Lloyds Register 92-00041 (E6)
 MARINE - R4547 NATO CODIFICATION SYSTEM
 NO - 0692-12
 PL - Hygenic Certificate - All products
 RINA - MAC128714XG EuroPipe
 RS - 14.10112.262
 RU - 1682258
 SE - SITAC 4423/90
 UK - BBA 86-1751 EuroPipe
 UR - 1055745
 US - IAPMO File No.3247-16

