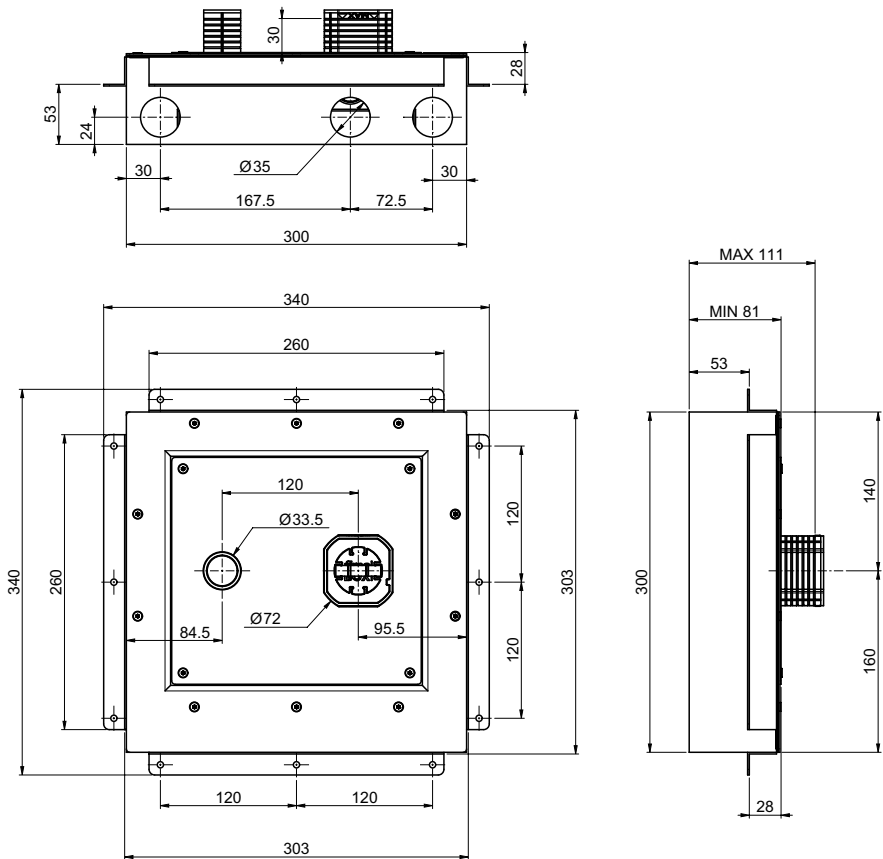
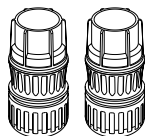




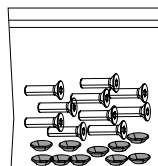
F4913.SY



1 x



2 x

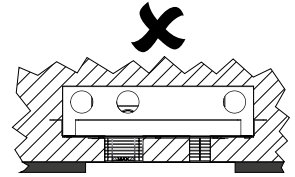
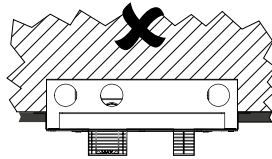
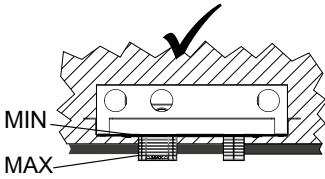
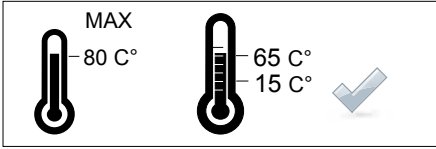
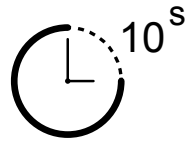
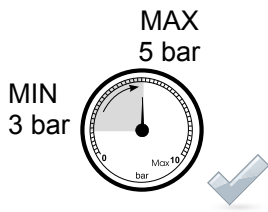


10 x

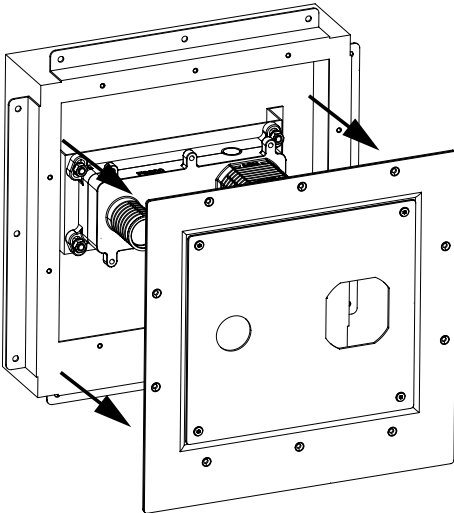


10 x

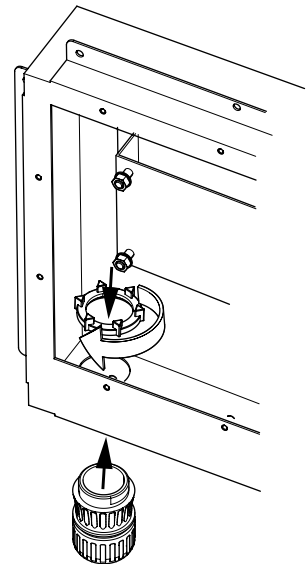
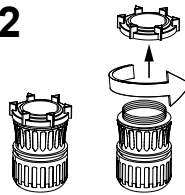




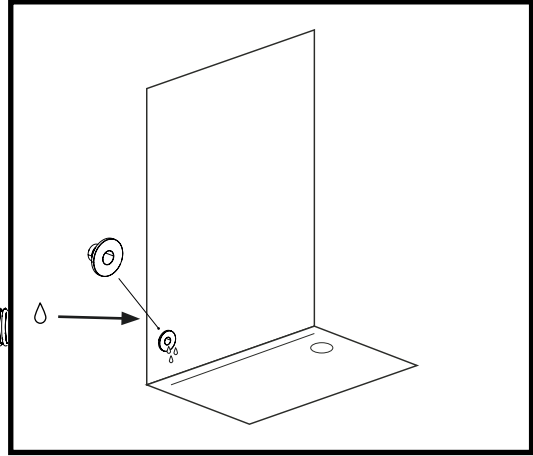
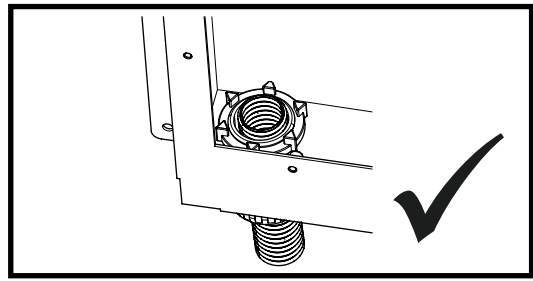
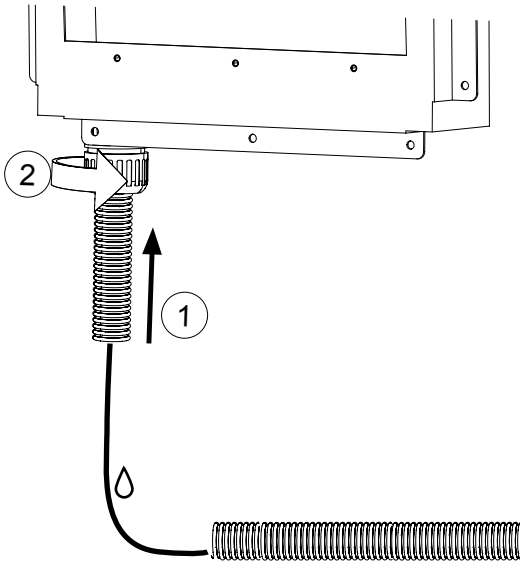
1



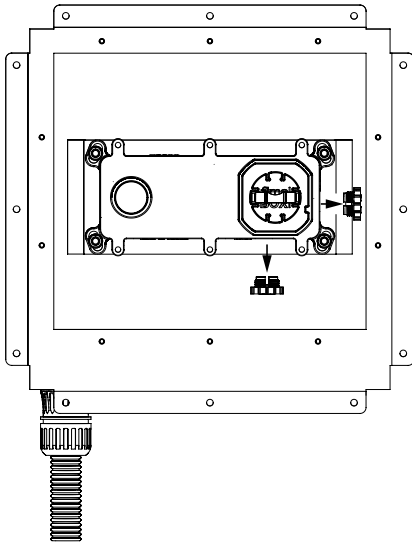
2



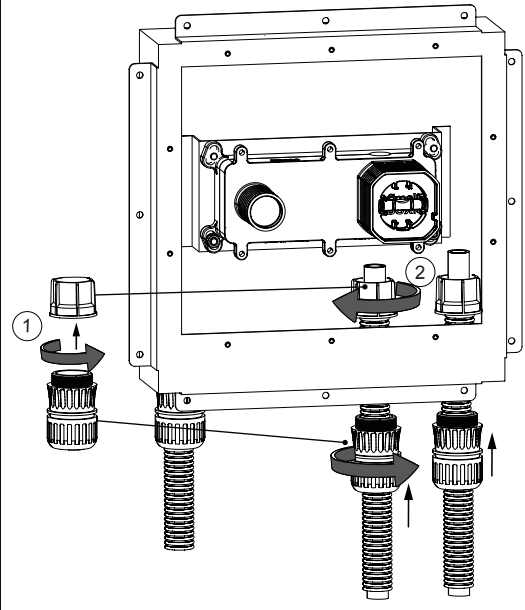
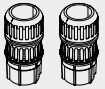
3



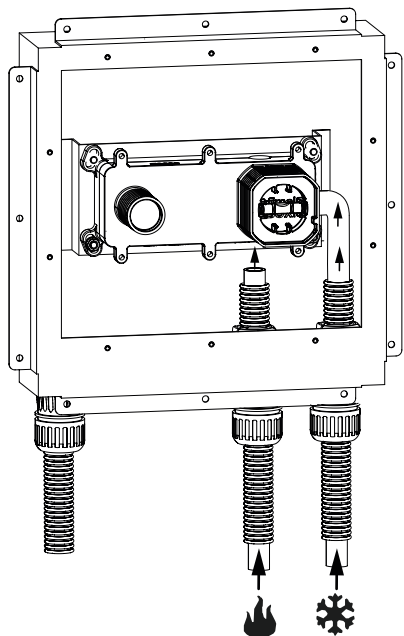
4



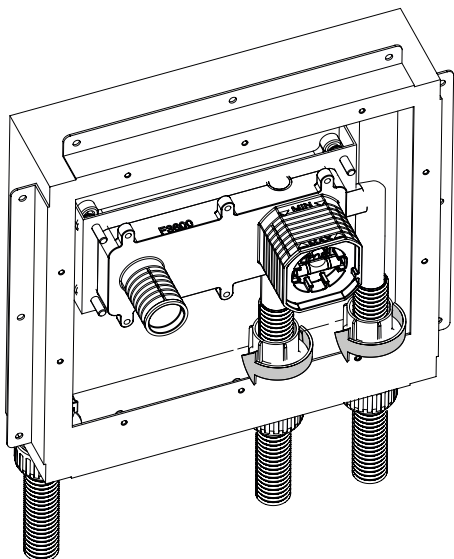
5



6



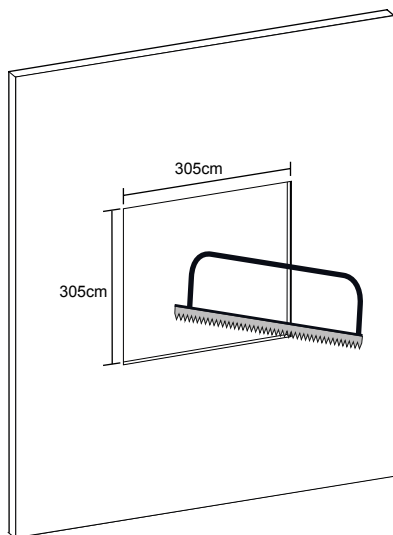
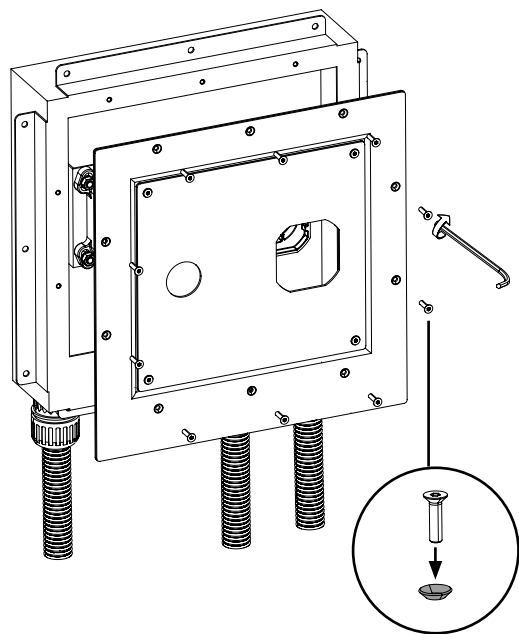
7



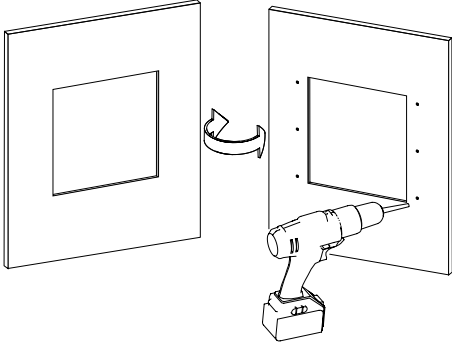
8

 • 2,5 mm

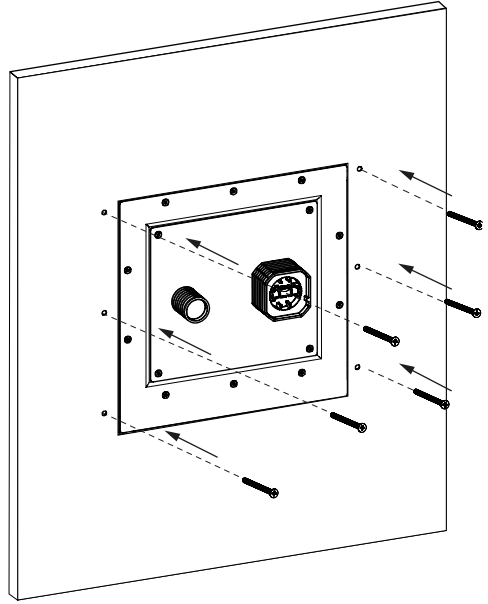
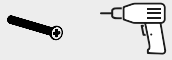
9



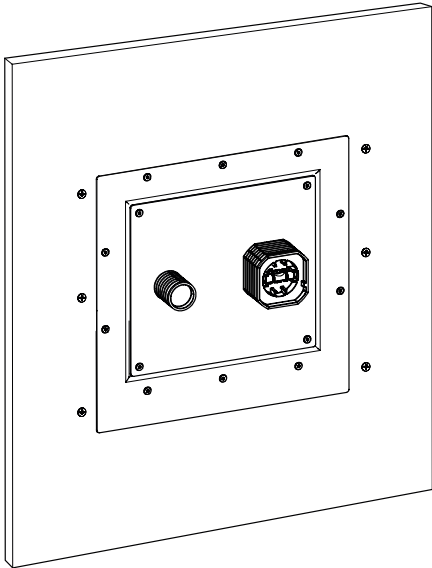
10



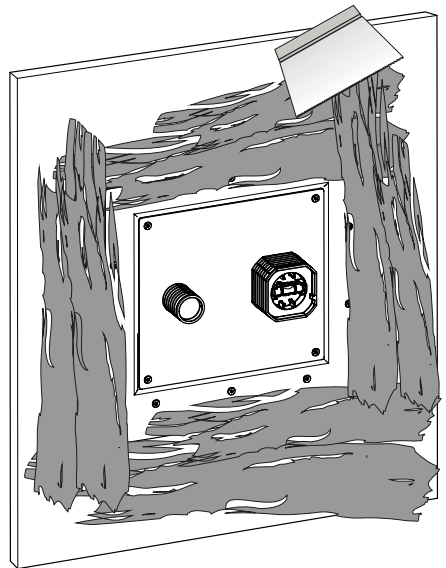
11



12

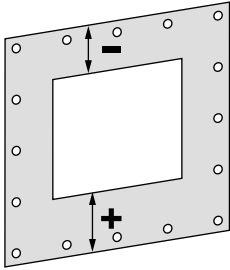


13

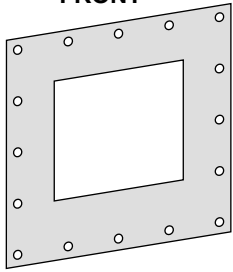




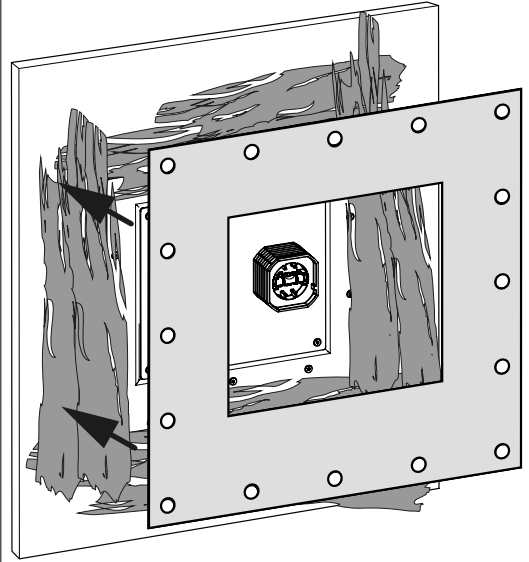
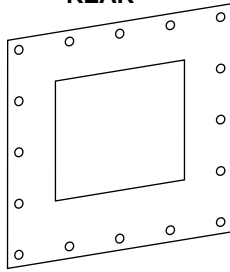
14



FRONT

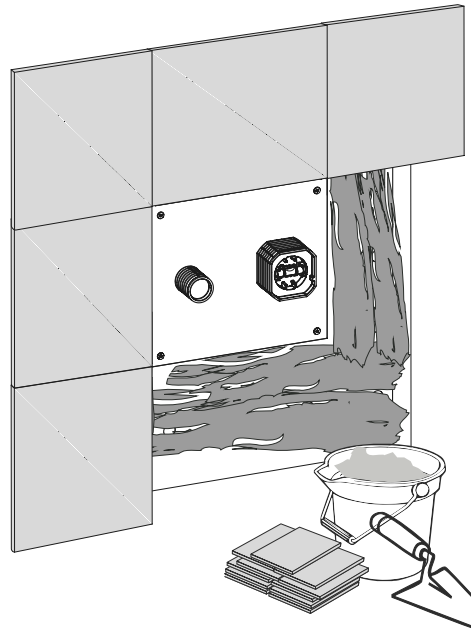
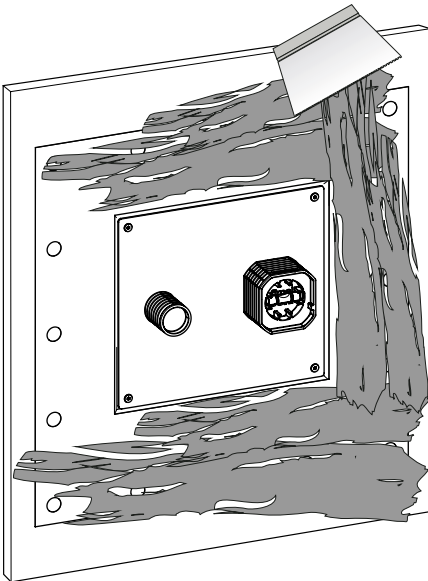


REAR

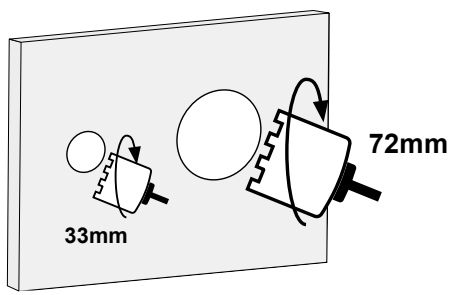


15

16



17



18

