

# 402 B

Kontrollerbar sæde-kontraventil  
System 02

Teknisk Datablad



## Beskrivelse

O2-systemet tilbyder det bedste kompromis mellem hydraulisk ydeevne, robusthed, tæthed og pris til brug med klare væsker: udpumpning, forsyning, distribution, generelle kredsløb. Dette område strækker sig fra 40 til 500 mm for både kontraventiler og Bundventiler, og passer dermed til en lang række anvendelser, især hvor der kan være risiko for trykstød.

- **Indvendig og udvendig epoxybelægning** øger modstandsdygtigheden over for korrosion.
- **Hydraulisk form** betyder meget lidt energitab.
- Fremragende tæthed sikret af **EPDM pakning**.
- **Fjeder i rustfrit stål** tillader systemet at fungere i enhver position.
- **Bronzeføring** muliggør en bedre bevægelighed af lukkesystemet og formindsker risikoen for slid



### 402 B

Fjedrebelastet Kontrollerbar sæde-kontraventil - System 02

DN mm	PN	PFA bar	PS i bar				Cat.	Ref.	Vægt Kg
			L1	L2	G1	G2			
40	10/16	16	16	16	16	16	I	<b>149B2281B</b>	4,2
50	10/16	16	16	16	16	16	I	<b>149B2351</b>	5,8
60	10/16	16	16	16	15	16	I	<b>149B2352</b>	8,1
65	10/16	16	16	16	15	16	I	<b>149B2353</b>	8,1
80	10/16	16	16	16	12	16	I	<b>149B2354</b>	10,2
100	10/16	16	16	16	10	16	I	<b>149B2355</b>	14,5
125	10/16	16	16	16	0,5	16	I	<b>149B2226B</b>	24
150	10/16	16	13	16	0,5	16	I	<b>149B2227B</b>	32
200	10	10	10	10	0,5	10	I	<b>149B2229B</b>	53
250	10	10	10	10	0,5	10	I	<b>149B2230B</b>	94
300	10	10	10	10	0,5	10	I	<b>149B2231B</b>	140
350	10	10	10	10	0,5	10	I	<b>149B2232B</b>	225
400	10	10	10	10	0,5	8	I	<b>149B2233B</b>	312
500	10	10	10	10	0,5	7	I	<b>149B2235B</b>	540

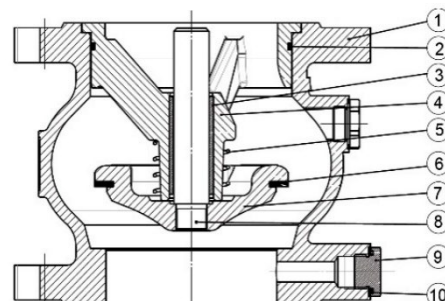
**Vigtig Note:**

Det angivne tryk for de forskellige kategorier af væsker (L1/L2/G1/G2) er under ingen omstændigheder en garanti for brug. Derfor er det vigtigt at validere brugen af produkter under givne driftsbetingelser.

Teknisk data	
Drifts temperatur	-10°C to 100°C
Tilladeligt driftstryk (PFA) for vand	Se tabel foroven
Maksimalt tilladt tryk (PS) andre medier	Se tabel foroven
Montering	Flange med frie huller PN (se tabel)
Media	Rene flydende væsker, gas

## Nomenklatur og materialer

Nr.	Beskrivelse	Materialer	EURO	ANSI
1	Hus	Støbejern/Epoxy	EN 1561 EN-GJL-250	ASTM A 48 35 B
2	O-ring	Duktil jern/Epoxy	EN 1563 EN-GJS-400-15	ASTM A 536 65-45-12
3	Ring	EPDM		
4	Føring	Bronze	EN 1982 CuSn5Zn5Pb2-C GS	
		Støbejern/Epoxy	EN 1561 EN-GJL-250	ASTM A 48 35 B
5	Fjeder	Bronze	EN 1982 CuSn5Zn5Pb2-C GS	
		Duktil jern/Epoxy	EN 1563 EN-GJS-400-15	ASTM A 536 65-45-12
6	Pakning	Rustfri stål	EN 10270-3 X10CrNi18-8	AISI 302
7-8	Lukke system	EPDM		
		DN 40	Messing	EN 12164 CuZn40Pb2 R360 mini
		DN 50-65	Bronze	EN 1982 CuSn5Zn5Pb2-C GS
		Aksel	Bronze	EN 1982 CuSn5Zn5Pb2-C GS
		Ventil	Støbejern/Epoxy	EN 1561 EN-GJL-250
9	Prop	DN 80-400	Bronze	EN 1982 CuSn12-C GS
		DN 500	Duktil jern / Epoxy	EN 1563 EN-GJS-400-15
10	Pakning	Ventil		
9	Prop	Brass	EN12164 CuZn36Pb2As R350	
10	Pakning	EPDM		



## Godkendelser



Internationale Byggestandarder:  
 Direktiver 2014/68/UE  
 Flange boring ifølge EN1092-2

## Applikationer

Kontraventilen 402B SOCLA er den mest universelle til beskyttelse af drikkevandsnetværk, vanddistribution, industri. Den kan installeres i enhver position med væsker uden påfyldning og gas.

## Installation

### Installation:

Før du sætter ventilen i drift, skal du kontrollere, at:

- arbejdsforholdene er kompatible med oplysningerne på identifikationspladen, instruktionsmeddelelsen og fabrikantens detaljer.
- ventilen fungerer effektivt, når den prøves (udfør et par åbnings- og lukkeoperationer af lukkesystemet),
- ventilen er fri for urenheder indeni.

Ved en ny installation eller efter vedligeholdelse skal systemet skylles med ventilen helt åben for at fjerne faste stoffer, som kan beskadige ventilens indvendige dele.

### Idriftsættelse:

Installationen bør tryksættes gradvist for at undgå skader, der kan opstå på interne komponenter.

Sørg for, at ventilen holder trykket, når flowet stopper og at der ikke er nogen trykstød, som kan beskadige ventilen eller installationen.

Hvis der er trykstød, skal der tilføjes et anti-trykstøds-system til installationen.

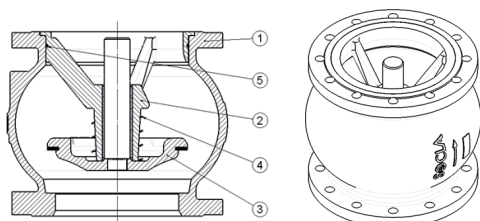
Under et længere driftsstop kan en ændring i væskens tilstand resultere i skader, som begrænser bevægeligheden når installationen tages i brug igen.

Etabler et passende vedligeholdelses-procedure til tjek og rengøring af systemet.

## Vedligeholdelse

### • Afmontering:

- Afmonter føring (2)
- afmonter O-ring (5) fra recessen
- afmonter fjeder (4)
- afmonter lukke systemet (3)



### • Montering:

Sørg for, at O-ring og pakning er i god stand, før ventilen samles

Rens og smør den om nødvendigt med et egnet smøringmiddel.

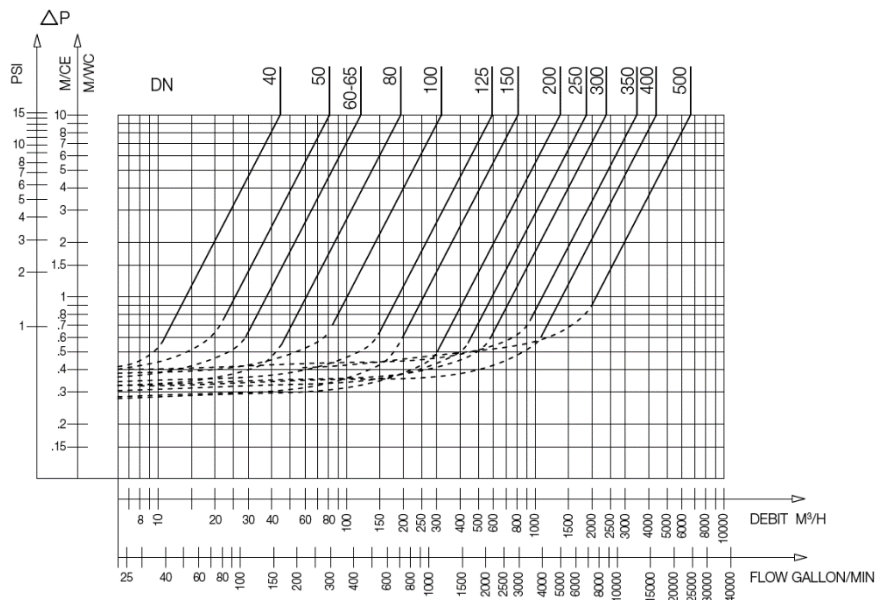
- Monter Lukkesystem (3) i huset (1)
- Indsæt fjeder (4)
- Indsæt O-ring (5) i recessen
- Indsæt lukkesystem (2) i huset (1). Dette trin kræver muligvis brug af en presse.

Når genmonteringen er færdig, test enheden for at kontrollere dens tæthed.

# Operation

## Værdier for brug:

- Fuld linje: Ventil Helt åben
- Stiplet linje: åbnings stadie

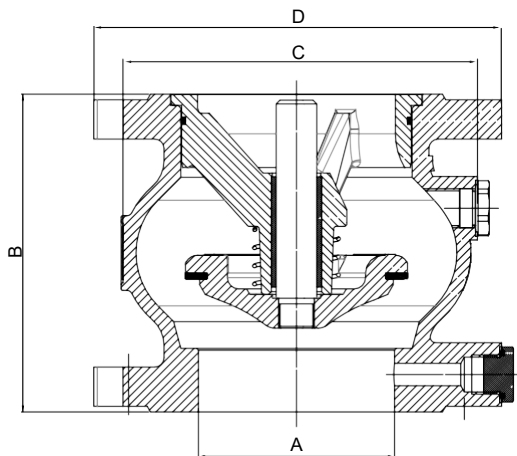


402 B – Tryktabs-diagram

DN	Åbningstryk mm CE				Kv m³/H	ζ
	Uden fjeder	120	130	150		
40	440	210	320	120	44,20	2,10
50	440	220	330	110	80,80	1,50
60	450	190	320	130	118,50	1,50
65	450	190	320	130	118,50	2,00
80	450	190	320	130	192,80	1,80
100	500	240	370	130	318,00	1,60
125	510	210	360	150	590,00	1,10
150	550	210	380	170	807,50	1,25
200	590	210	400	190	1351,00	1,40
250	710	210	460	250	1861,80	1,80
300	820	90	460	365	2371,70	2,30
350	860	100	480	380	3444,70	2,00
400	800	50	410	390	4371,20	2,14
500	1030	0	430	580	6646,20	2,26

# Dimensionering

A	B	C	D
mm	mm	mm	mm
40	85	80	150
50	100	97	165
60	120	125	185
65	120	125	185
80	140	150	200
100	170	187	220
125	200	220	250
150	230	250	285
200	288	340	340
250	354	420	405
300	395	490	460
350	472	586	533
400	560	680	597
500	750	880	670



402 B

Produktbeskrivelserne og fotos i dette datablad er vejledende og ikke bindende. Watts Industries forbeholder sig retten til uden forudgående varsel at gennemføre forbedringer af vores produkter. Garanti: salgs- og samhandelsaftaler er udtrykkeligt betinget af købers accept af Watts betingelser og vilkår. Disse kan findes på hjemmesiden: [www.wattswater.eu](http://www.wattswater.eu). Watts fra siger sig hermed ethvert vilkår, indeholdt i enhver køberkommunikation i enhver form, medmindre det er aftalt skriftligt og underskrevet af Watts. .



A WATTS Brand

**Watts Industries Nordic**  
 Godthåbsvej 83-1 – 8660 Skanderborg  
 Tel: +45 86 52 00 32  
[wattsnordic@wattswater.com](mailto:wattsnordic@wattswater.com) • [www.wattswater.eu](http://www.wattswater.eu)

© 2019 Watts



# CARSO - LABORATOIRE SANTÉ ENVIRONNEMENT HYGIÈNE DE LYON

Laboratoire Agréé pour les analyses d'eaux par le Ministère de la Santé

Laboratoire habilité par le Ministère chargé de la santé en application de l'article R\*.1321-52 du code de la santé publique

## ATTESTATION DE CONFORMITE SANITAIRE

### Certificate of sanitary conformity

Conformément à l'arrêté du 29 mai 1997 modifié et à la circulaire du Ministère de la Santé  
Direction Générale de la Santé DGS/SD7A N° 571 du 25 Novembre 2002

#### Coordonnées du demandeur d'ACS / Contact details of the ACS owner :

**SOCLA SAS**

**365 rue du Lieutenant Putier  
71530 VIREY-LE-GRAND**

#### Nom de l'accessoire représentatif / Reference of the representative accessory :

**Clapet de non retour Système 02 402B DN 40 Réf. 2281B/01C**

N° de dossier attribué par le laboratoire habilité / File reference :

**19 ACC LY 120**

Date de réalisation des essais d'inertie selon la norme XP P41-280 : aucun essai de migration n'est nécessaire  
Tests date (according to the standard XP P 41-280) : No testing is required to issue this ACS

Commentaires : Aucun essai de migration n'est nécessaire à l'obtention de cette ACS (composants conformes).  
Comments : No testing is required to issue this ACS ( components are compliant).

#### Famille d'accessoires couverte par l'ACS / Accessories' family covered by this certificate :

**Clapet de non retour Système 02**

#### Références / References (20 references) :

402B Bleu	402B Noir
DN 1"1/2 - ref 2281B	DN 50 - ref 24718
DN 2" - ref 2351	DN 65 - ref 24179
DN 2" 1/4 - ref 2352	DN 80 - ref 24720
DN 2" 1/2 - ref 2353	
DN 3" - ref 2354	202B Bleu
DN 4" - ref 2355	DN 65 - ref 2286B
DN 5" - ref 2226B	DN 80 - ref 2287B
DN 6" - ref 2227B	DN 100 - ref 2288B
DN 8" - ref 2229B	
DN 10" - ref 2230B	
DN 12" - ref 2231B	
DN 14" - ref 2232B	
DN 16" - ref 2233B	
DN 20" - ref 2235B	

#### Attestation délivrée par / Certificate issued by :

Christelle AUTUGELLE      Signature :  
Responsable MCDE  
CARSO - L.S.E.H.L.

Date de délivrance / Date of issue : 19 Mars 2019

Date d'expiration / Expiry date : 19 Mars 2024

Commentaires / Comments : Renouvellement / Renewal ACS 14 ACC NY 097

F\_MC060-b 15/09/2014 MLN

Société par action simplifiée au capital de 2 283 622,38 Euros - RCS Lyon B 410 545 313 - SIRET 410 545 313 00042 - APE 743 B - N° TVA : FR 82 410 545 313

Siège Social et laboratoire : 4, avenue Jean Moulin - CS 30228 - F - 69633 VENISSIEUX cedex - Tél. : (33) 04 72 76 16 16 - Fax : (33) 04 78 72 35 03

Site web : [www.groupecarso.com](http://www.groupecarso.com) - e-mail : [mcde@groupecarso.com](mailto:mcde@groupecarso.com)





Marine &amp; Offshore

Certificate number: 01328/J0 BV

File number: ACM 145/1915/001

Product code: 22231

This certificate is not valid when presented without the full attached schedule composed of 7 sections

www.veristar.com

## TYPE APPROVAL CERTIFICATE

This certificate is issued to

**SOCLA SAS**

VIREY LE GRAND - FRANCE

for the type of product

**CHECK VALVES, NON-RETURN VALVES**

Antipollution non return & foot valves: 02, 04, 05, M, W, B, TJO, FL, TJ systems

### Requirements:

- BUREAU VERITAS Rules for the Classification of Steel Ships
- BUREAU VERITAS Rules for the Classification of Offshore Units
- BUREAU VERITAS Rules for the Classification of Naval Ships

This certificate is issued to attest that Bureau Veritas Marine & Offshore did undertake the relevant approval procedures for the product identified above which was found to comply with the relevant requirements mentioned above.

This certificate is a renewal of certificate N° 01328/11 BV expiring on 25/11/2021

**This certificate will expire on: 25 Nov 2026**

For Bureau Veritas Marine & Offshore,

At BV LYON, on 09 Jun 2021,

Yann Krempelwicz



This certificate remains valid until the date stated above, unless cancelled or revoked, provided the conditions indicated in the subsequent page(s) are complied with and the product remains satisfactory in service. This certificate will not be valid if the applicant makes any changes or modifications to the approved product, which have not been notified to, and agreed in writing with Bureau Veritas Marine & Offshore. Should the specified regulations or standards be amended during the validity of this certificate, the product(s) is/are to be re-approved prior to it/they being placed on board vessels to which the amended regulations or standards apply. This certificate is issued within the scope of the General Conditions of Bureau Veritas Marine & Offshore available on the Internet site www.veristar.com. Any Person not a party to the contract pursuant to which this document is delivered may not assert a claim against Bureau Veritas Marine & Offshore for any liability arising out of errors or omissions which may be contained in said document, or for errors of judgement, fault or negligence committed by personnel of the Society or of its Agents in establishment or issuance of this document, and in connection with any activities for which it may provide.

The electronic version is available at: <http://www.veristarp.com/veristarnb/jsp/viewPublicPdfType.jsp?id=fab6jny pdu>

BV Mod. Ad.E 530 June 2017

This certificate consists of 4 page(s)

## THE SCHEDULE OF APPROVAL

### 1. PRODUCT DESCRIPTION

**Antipollution non return valves & foot valves: 02, 04, 05, M, W, B, TJO, FL, TJ systems**

#### 1.1 Types

- Non return valves - 202, 202B, 202S, 202TT, 202TTP, 202V, 202W, 207, 207V, 212,212S, 212Z, 402, 402AC, 402B, 402S, 402T, 402X, 402RR, 402TTP, 402V, 402W, 402Z, 407, 407B, 407T, 407RR, 412, 412S, 412Z, 417, 422, 462, 802, 802B, 802S, 802T,802Z, 812, 812X, 812XB, 812XS, 812XT, 882, 892, 50, 50F, 208P, 408, 408F, 408V, 408X, 418, 418F, 418V, 418D, 508, 508F, 405, 405L, 615, 627E, 635E, 635V, 627V/627V1B,805, 805V, 815, 825, 895, 895V, 290, 290D, 290P, 290X, 297, 297D  
 - Foot valves - 102, 102P, 102PV, 302, 302P, 302PV, 302X, 302Z, 312, 322, 30, 308, 318, 60S, 104, 104P, 114, 144, 144DG, 190, 190D, 190P, 190X, 193, 193D

#### 1.2 Technical Description

Type	Non-return valves Foot valves	Non-return valves Foot valves	Non-return valves
System	02	M	W
Size	1-1/2" to 20" (DN 40 to DN 500)	3/8" to 8" (DN 15 to DN 200)	1/2" to 8" (DN 15 to DN 200)
Max. Pressure (bar)	40	16	40
Max. Temperature (°C)	140	100	350
Connection	Flanged / threaded	Flanged / threaded	Flanged / threaded

Type	Non-return valves	Foot valves	Non-return valves
System	B	B	05
Size	1" to 14"	2" to 14" (308, 318); 1" to 3" (30)	1-1/2" to 24" (DN 40 to DN 600)
Max. Pressure (bar)	10	10	25
Max. Temperature (°C)	80	80	150
Connection	Flanged / threaded	Flanged / threaded	Flanged / threaded / wafer

Type	Non-return valves	Foot valves
System	TJO+FL+04	TJO+FL+04, TJ
Size	1/4" to 2" (DN 10 to DN 50)	3/8" to 4" (DN 15 to DN 100) DN 200 to DN 600 (TJ)
Max. Pressure (bar)	10	10
Max. Temperature (°C)	80	80
Connection	Threaded	Threaded / flanged (TJ)

#### 1.3 Material specification

##### 1.3.1 For 02, M & W systems

System	02	M	W
Body	Ductile/cast iron with epoxy coating/ Brass/ Stainless steel	Ductile/cast iron with epoxy coating	Ductile/cast iron with epoxy coating/ Brass/ Stainless steel
Closing system	Ductile/cast iron / Brass/ Stainless steel (disc)	Rubber NR/EPDM (membrane)	Stainless steel/ Brass (disc)
Seat	EPDM/ Fluoridated elastomer	EPDM/ FEP	EPDM/ Stainless steel

##### 1.3.2 For B system

Body	Cast iron FGL 250, FGS 400/ GJS Cast Iron / Stainless steel grade 304/ PVC (Fig. 208P)
Ball	Cast iron/ Aluminium/ resin/ Aluminium NBR (nitrile) coated/ Steel with NR (natural rubber) coated/ Floating, epoxy resin coated/ FKM coated
Seat	NR/ CR/ NBR/ FKM (Viton)



## 1.3.3 for TJO, FL, 04, TJ &amp; 05 systems

System	TJO+FL+04	TJ	05
Body	Stainless steel/ POM (polyacetal)/ PP/ Brass	Cast iron with epoxy coating	Ductile/cast iron with epoxy coating/ Steel/ Stainless steel
Closing system	POM (polyacetal)/ PP	Cast iron with epoxy coating	Ductile/cast iron / Brass/Steel/ Stainless steel (disc)
Seat	EPDM/ NBR/ Fluoridated elastomer	EPDM/ NBR	EPDM/ NBR/Fluoridated elastomer

*When other material combinations are used according to manufacturer's instructions, the BV agreement will be obtained.*

**2. DOCUMENTS AND DRAWINGS**

- Manufacturer's catalogue 2010 issue - French version
- Technical data sheet Type 30, Reference N° uk30 dated 09/08/2007
- Technical data sheet Type 50, Reference N° uk50 dated 02/09/2013
- Technical data sheet Type 50F, Reference N° uk50f dated 22/04/2004
- Technical data sheet Type 208P, Reference N° uk208p dated 02/09/2013
- Technical data sheet Type 408X, Reference N° uk408x dated 02/09/2013
- Technical data sheet Type 418, Reference N° uk418 dated 02/12/2013
- Technical data sheet Type 418D, Reference N° uk418D dated 02/09/2013
- Technical data sheet Type 418F, Reference N° uk418F dated 02/02/2011
- Technical data sheet Type 418V, Reference N° uk418v dated 02/09/2013
- Technical data sheet Type 508, Reference N° uk508 dated 02/09/2013
- Technical data sheet Type 508F, Reference N° uk508f dated 30/11/2009

*No departure from the above documents shall be made without the prior consent of the Society. The manufacturer must inform the Society of any modification or changes to these documents and drawings.*

**3. TEST REPORTS**

Not required.

**4. APPLICATION / LIMITATION**

- 4.1 - May be used for the following services on board:
- Ballast and bilge, sea water and fresh water, compressed air, domestic and sanitary systems.
- 4.2 - The valves belong to Class I, Class II and Class III according to the relevant requirements stated in NR 467, Part C, Chapter 1, Sec 10 of the Bureau Veritas Rules.
- 4.3 - The material is to be selected according to the nature of the fluid to be conveyed, taking into account the service conditions indicated in the manufacturer's catalogue for each type.
- 4.4 - Installation on board ships where a fire safe design is required remains to be approved on a case by case basis.
- 4.5 - The use of ordinary cast iron and stainless steel is restricted as per BUREAU VERITAS rules.
- 4.6 - The valves are not to be used where their deterioration, in case of fire, would risk to jeopardize the subdivision integrity or the safety of the ship.
- 4.7 - The non-return valves are not to be used as shipside valves.
- 4.8 - The valves are to be installed according to the manufacturer's instructions and Society's Rule requirements.

**5. PRODUCTION SURVEY REQUIREMENTS**

- 5.1 - The products are to be supplied by SOCLA SAS in compliance with the type and the requirements described in this certificate.
- 5.2 - This type of product is within the category IBV of Bureau Veritas Rule Note NR320.
- 5.3 - BV product certificate is required.
- 5.4 - Bureau Veritas Certificates are required for materials of valve housings of Class I (DN≥50) & Class II (DN≥100). Materials of valve housings of Class I (DN<50) or Class II (DN<100) and for other parts are to be provided with Work's certificates.
- 5.5 - Each valve housing for Class I and Class II is to be hydraulically pressure tested to 1.5 times the design pressure.



5.6 - For information, **SOCLA SAS** has declared to Bureau Veritas the following production site:

**SOCLA SAS**  
**365 Rue du Lieutenant Putier,**  
**71530 VIREY LE GRAND**  
**FRANCE**

#### **6. MARKING OF PRODUCT**

The product shall be marked with at least:

- Manufacturer's name or logo
- Type designation and size
- Max. working pressure
- Society's brand as relevant

#### **7. OTHERS**

It is **SOCLA SAS**'s responsibility to inform shipbuilders or their sub-contractors of the proper methods of fitting, use and general maintenance of the approved equipment and the conditions of this approval.

*This certificate supersedes the Type Approval Certificate N° 01328/11 BV issued by the Society.*

**\*\*\* END OF CERTIFICATE \*\*\***

# CERTIFICATE

Number: K 6159/03

Issued: 1997-01-01

Replaces: 6159/02

d.d. 1996-09-01

Product-certificate

## Checkvalves for water up to nominal sizes of 1200 mm, Class B

Based on pre-certification tests, as well as periodic inspections by Kiwa the products referred to in this certificate and marked with the Kiwa-mark as indicated under "Marking" manufactured by

**Socla S.A.**

may, on delivery, be relied upon to comply with the Kiwa evaluation guideline no. 651, Checkvalves for water up to nominal sizes of 1200 mm, Class B.

Kiwa N.V.



ing. B. Meekma  
Director Certification and Inspection

This certificate is issued in accordance with the Kiwa-Regulations for Product Certification.  
Publication of the certificate is allowed.  
This certificate consists of 3 pages.

# kiwa

Kiwa N.V.  
Certification and Inspection  
Sir Winston Churchill-laan 273  
P.O. Box 70  
2280 AB Rijswijk NL  
The Netherlands  
Phone +31.70.395 35 35  
Telefax +31.70.399 13 06

Producer

Socla S.A.  
1, Rue Paul Sabatier  
F-71107 Chalons-sur-Saone  
France  
Telephone +33 85463034  
Telefax +33 85414931



Accredited by RvA

## Checkvalves for water up to nominal sizes of 1200 mm, Class B

### PRODUCTSPECIFICATION

The products mentioned below belong to this certificate

#### type CNF F.223

Ref. 2890K DN 15  
Ref. 2891K DN 20  
Ref. 2892K DN 25  
Ref. 2893K DN 32  
Ref. 2894K DN 40  
Ref. 2895K DN 50

#### type 402:

~~Ref. 2281 DN 40  
Ref. 2282 DN 50  
Ref. 2283 DN 65  
Ref. 2284 DN 80  
Ref. 2285 DN 100  
Ref. 2226 DN 125  
Ref. 2227 DN 150  
Ref. 2229 DN 200  
Ref. 2230 DN 250  
Ref. 2231 DN 300  
Ref. 2232 DN 350  
Ref. 2233 DN 400~~

#### type 402B:

~~Ref. 2351 DN 50  
Ref. 2353 DN 65  
Ref. 2354 DN 80  
Ref. 2355 DN 100  
Ref. 2226B DN 125  
Ref. 2227B DN 150  
Ref. 2229B DN 200  
Ref. 2230B DN 250  
Ref. 2231B DN 300  
Ref. 2232B DN 350  
Ref. 2233B DN 400~~

#### type 402 RR

~~Ref. 2281RR Dn 40  
Ref. 2282RR DN 50  
Ref. 2283RR DN 65  
Ref. 2284RR DN 80  
Ref. 2385RR DN 100  
Ref. 2226RR DN 125  
Ref. 2227RR DN 150  
Ref. 2229RR DN 200  
Ref. 2230RR DN 250  
Ref. 2231RR DN 300  
Ref. 2232RR DN 350  
Ref. 2233RR DN 400~~

#### Type 402 TTP

~~Ref. 2853 DN 50  
Ref. 2854 DN 65  
Ref. 2855 DN 80  
Ref. 2856 DN 100  
Ref. 2857 DN 125  
Ref. 2858 DN 150  
Ref. 2859 DN 200  
Ref. 2860 DN 250  
Ref. 2861 DN 300  
Ref. 2862 DN 350  
Ref. 2863 DN 400~~



## Checkvalves for water up to nominal sizes of 1200 mm, Class B

---

### APPLICATION AND USE

The checkvalves for water with a nominal diameter up to 1200 mm, class B, are designed as safety devices to be used in pumps and distributions systems. Check valves are designed for installations with a maximum working pressure of 1000 kPa and a maximum water temperature of 30 °C.

---

### MARKING

The products are marked with the wordmark "KIWA".

Place of the mark:  
on the body

Additional compulsory marking:

- name or mark of manufacturer: on the body
- nominal size: on the body
- nominal working pressure: on the body
- arrow showing flow direction: on the body

Method of marking as follows:

- indelible
- visible after assembly

---

### TIPS FOR THE CUSTOMER

1. On delivery check wether:
  - 1.1 the delivery is as agreed;
  - 1.2 the mark and how it is affixed are correct;
  - 1.3 the products exhibit any visible defects due to transport etc.
2. If on the basis of the above you decide to reject the products, contact:
  - 2.1 Socla S.A. at Chalon-sur-Saone  
and if necessary:
  - 2.2 Kiwa N.V.
3. For the correct method of storage consult the processing guidelines of the producer.
4. Check wether this certificate is still valid by consulting the Kiwa-guide.

**GODKENDELSESINDEHAVER:**

SOCLA SAS  
365, Rue du Lieutenant Putier  
F-71530 Virey le Grand  
Telefon: +33 (0) 3 85 97 42 42  
Telefax: +33 (0) 3 85 97 97 42  
Internet: [www.socla.com](http://www.socla.com)

**Kontraventil**

**SOCLA**

**type 202, 202 B, 212, 402, 402 B, 412 og 462**


**dim. 2" – 8" og 40 – 250 mm**

**FABRIKAT:**

SOCLA SAS, Frankrig

Der er med denne godkendelse alene taget stilling til Bygningsreglementets krav om dokumentation af de mekaniske/fysiske karakteristika jf. § 418.

**MÆRKNING:**

- Fabrikantmærke: SOCLA-FRANCE
- Godkendelsesnummer
- Godkendelsesmærke: 
- Pil for strømretning
- Dimension

Godkendelsesindehaver er pligtig til at sikre at kravene i Bygningsreglementets § 417 er opfyldt.

**BETINGELSER FOR MONTERING OG BRUG:**

Kontraventilen kan monteres valgfrit i vandret eller lodret position.

Installationen skal udføres i overensstemmelse med DS 439, Norm for vandinstallationer.

**RØRFORENINGENS VVS-NR.:**

202: 43 0341  
202 B: 43 0325  
402: 43 0551  
402 B: 43 0552

Forud for brug skal bygningssejer sikre at Bygningsreglementets § 419 er opfyldt.

**KVALITETSKONTROL:**

Godkendelsesindehaver opretholder obligatorisk kontrolaftale med Teknologisk Institut, Aarhus.

**BESKRIVELSE OG TEKNISKE DATA:**

Konstruktion og funktion	Kontraventilen består af et rørformet hus, der er forsynet med styr for et fjederbelastet ventillegeme med indsat pakning, der lukke mod et sæde. Åbningstrykket er 0,25 mVs.
Montering	202 og 202 B: Til- og afgang er med muffer. 212: Til- og afgang er med muffe/nippel. 402, 402 B og 412: Til- og afgang er med flanger.
Materiale	Støbejern og plast
Dimensioner	202 og 202 B: 2 ½" – 4" 212: 5" – 8" 402 og 402 B: 40 – 250 mm 412: 125 – 200 mm 462: 2" – 8"
Tryktab	For dimensionerne større end eller lig 2" er der ikke udført tryktabsmålinger. Der henvises til godkendelsesindehaverens angivelser.