

PNEUMATISK AKTUATOR, TYPE EGO

Pneumatic actuator, type EGO



Funksjon og konstruksjon

Dobbeltvirkende HTD-DA og enkeltvirkende HTS-SR EGO aktuatorer leveres som dobbeltvirkende (DA) og enkeltvirkende (SR).

Returfjærer er innebygget i SR aktuatoren, som gir samme byggelengde for begge typer.

Montering til ventil er iht. ISO 5211 og de har Namur tilkobling for magnetventiler/endebryterbokser.

Anvendelsesområde

Aktuatoren er beregnet for av/på og regulering av kule og spjeldventiler for 0-90° dreining.

Teknisk spesifikasjon

Temperaturområde: -20°C til +80°C
Maks. arbeidstrykk: 10 bar
Styre medium: Ren luft
Installasjonsområde: Innendørs og utendørs

Materialbeskrivelse

Hus	Eloksert aluminium
Stempel	Aluminium
Endestykker	Aluminium
Spindel	Nikkelbelagt stål
Stempelpakninger	Nylon 46
Fjær (SR)	Fjærstål

Operation and Construction

EGO actuators are delivered as double acting (DA) as well as single acting (SR) types.

The return springs on SR type are mounted inside the actuator, and the overall size is equal for both types. The mounting between valve and actuator is acc. to ISO 5211, and it is Namur connection for solenoid valves/limit switch boxes.

Range of applications

The actuator is designed for operating of quarter turn valves i.e., ball and butterfly valves.

Technical specification

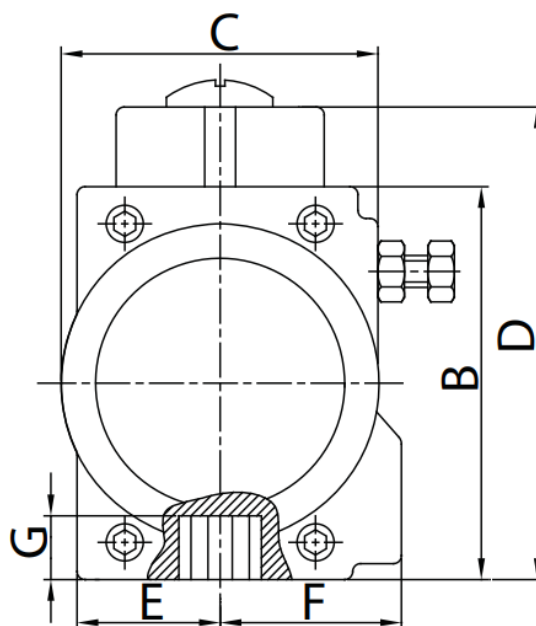
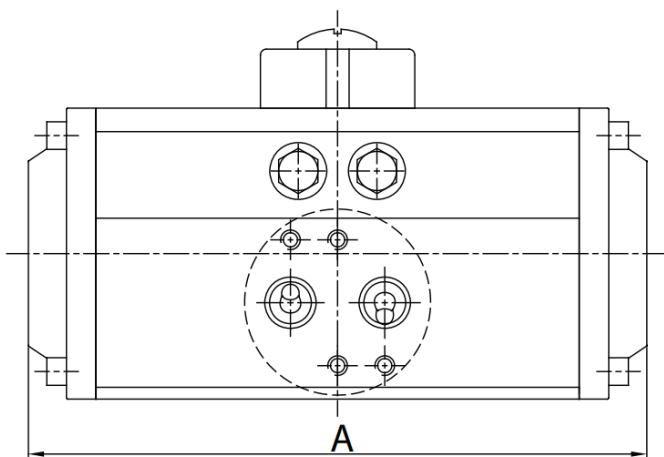
Temperature area: -20°C to +80°C
Max. working pressure: 10 bar
Operating supply: clean air
Installation area: Indoor and outdoor

Materials

Body	Extruded aluminium
Piston	Aluminium
End pieces	Aluminium
Stem	Nickel plated carbon
Steel Piston gaskets	Nylon 46
Spring (SR)	Special steel

MÅLTABELL OG ARTIKKELNUMMER/MEASUREMENTS AND PART NO.

Størrelse Size	Målskisse mm Dimensional sketch mm	Dobbelvirk. NRF nr. Dobbelacting Part No.	Størrelse Size	Enkelvirk* NRF nr. Singelacting Part No.
HTD-052	137	5519901	HTS-052	5519915
HTD-063	158	5519902	HTS-063	5519916
HTD-083	192	5519904	HTS-083	5519918
HTD-092	248.5	5519905	HTS-092	5519919
HTD-105	262	5519906	HTS-105	5519921
HTD-125	313	5519907	HTS-125	5519922
HTD-140	379.5	5519908	HTS-140	5519923
HTD-160	434	5519909	HTS-160	5519924
HTD-190	491	5519911	HTS-190	5519925
HTD-210	548	5519912	HTS-210	5519926
HTD-240	626	5519913	HTS-240	5519927
HTD-270	698	5519914	HTS-270	5519928



TABELL FOR HAITIMA PNEUMATISK AKTUATOR
TABLE FOR HAITIMA PNEUMATIC ACTUATOR

Dobbelvirk. aktuator Doubleacting	Moment Nm	Enkelvirk. aktuator Single acting	Moment Nm	A mm	B mm	C mm	D mm	G mm	ISO 5211 Montasjeflens Mounting Flange	Firkantmål (CH) mot ventil Square top
HTD-052	25	HTS-052	10	137,0	74,0	60,0	94,0	14,0	F03/F05	11mm
HTD-063	44	HTS-063	18	158,0	88,0	69,0	108,0	18,0	F05/F07	14mm
HTD-083	89	HTS-083	39	192,0	109,0	88,0	129,0	21,0	F05/F07	17mm
HTD-092	136	HTS-092	60	248,5	120,0	95,0	140,0	22,0	F05/F07	17mm
HTD-105	203	HTS-105	84	262,0	133,0	105,5	153,0	26,0	F07/F10	22mm
HTD-125	349	HTS-125	141	313,0	155,0	120,5	175,0	27,5	F07/F10	22mm
HTD-140	526	HTS-140	210	379,5	171,5	132,0	191,5	32,0	F10/F12	27mm
HTD-160	802	HTS-160	312	434,0	197,0	159,5	217,0	34,0	F10/F12	27mm
HTD-190	1292	HTS-190	510	491,0	230,0	184,0	260,0	40,0	F14	36mm
HTD-210	1776	HTS-210	702	548,0	255,0	205,0	285,0	40,0	F14	36mm
HTD-240	2785	HTS-240	1100	626,0	290,0	240,0	320,0	50,0	F16	46mm
HTD-270	3916	HTS-270	1547	698,0	325,0	269,0	355,0	50,0	F16	46mm