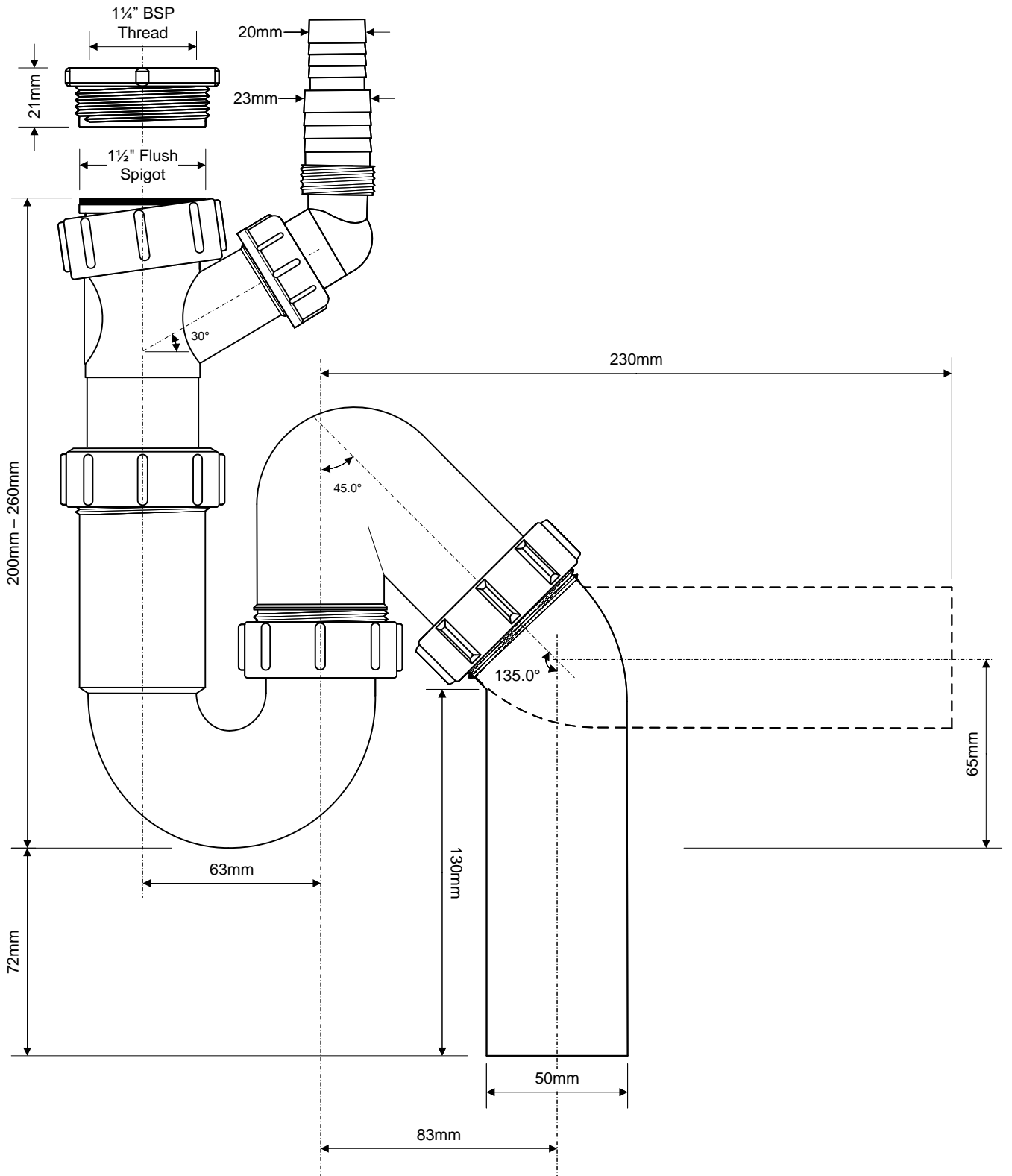


Code:

MA3-50W+5955



McALPINE

Drawing verified
correct as of:

03.07.17
TC

DRAWN BY	TC
SCALE	1:2

REVISED	1-Re-drawn to scale 2-Amend outlet (TC 03.07.17)
---------	---

FILENAME	MA3-50WPLUS5955_2018050522
DATE	0147335.VSD 03.07.17