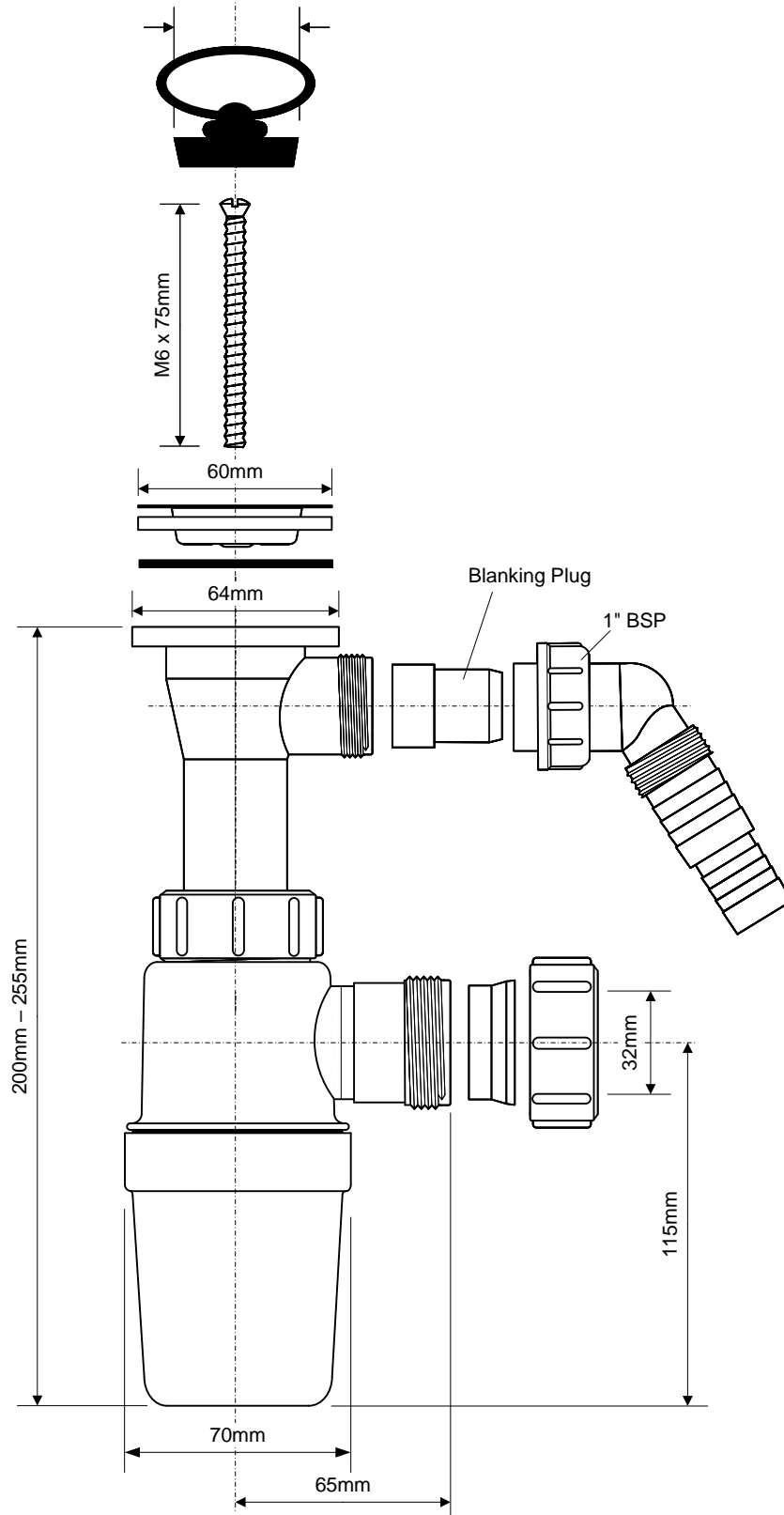


Code:

FVE31AWB

1½" (38.0mm)
Physical Measurement.
Suits Waste Hole
in 1¼" BSP Waste



Water Seal: 75mm



McALPINE

Drawing verified
correct as of:

09.05.12
TC

DRAWN BY

TC

REVISED

1-Add water seal & pg2 (TC 21.01.22)

FILENAME
FVE31AWB_2022012412321

DATE
0.VSD

09.05.12

SCALE
1: 2.2