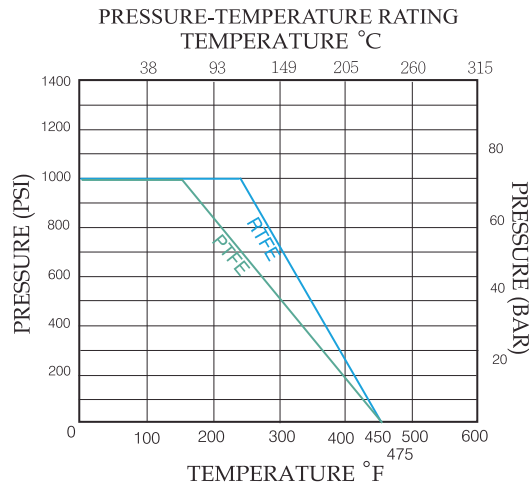


## TRE-DELT KULEVENTIL, TYPE HAITIMA 2013M - EGO

## THREE-PIECE BALL VALVE, TYPE HAITIMA 2013M - EGO

## VALVULA CU BILA COMPUSA DIN TREI PARTI ASAMBLATE PRIN SURUBURI, TIP HAITIMA 2013M - EGO

## ШАРОВОЙ ВЕНТИЛЬ ИЗ ТРЕХ ЧАСТЕЙ



### Dimensjoner

DN 8-DN 80

### Dimension

DN 8-DN 80

### Trykklasse

PN 64

### Pressure rating

PN 64

### Funksjon og konstruksjon

Tre-delt kuleventil med fullt gjennomløp.  
 Utblåsningsikker spindel.  
 Låsbar håndspak.

### Features

Three-piece ball valve, full bore.  
 Blow-out proof stem.  
 Latch lock lever.

### Anvendelsesområde

Vann, luft, olje, noen kjemikalier, lavtrykksdamp.

### Range of application

Water, air, oil, some chemicals, low pressure steam.

### Materialbeskrivelse

Hus	Syrefast stål A351-CF8M
Endestykke	Syrefast stål 1.4408
Kule	Syrefast stål A351-CF8M
Spindel	Syrefast stål A276-316
Gland mutter	Rustfritt stål AISI 304
Sete	Glassfiberarmert PTFE
Hus tetning	Teflon PTFE
Pakning	Teflon PTFE
Skive	Teflon PTFE
Skive	Rustfritt AISI 304
Spindelmutter	Rustfritt A194 GR.8
Skrue	Rustfritt A193 B8
Mutter	Rustfritt A193 B8
Skive	Rustfritt AISI 304
Spak	Rustfritt A167 304
Spakbelegg	PVC
Lås	Rustfritt A167 304

### Materials

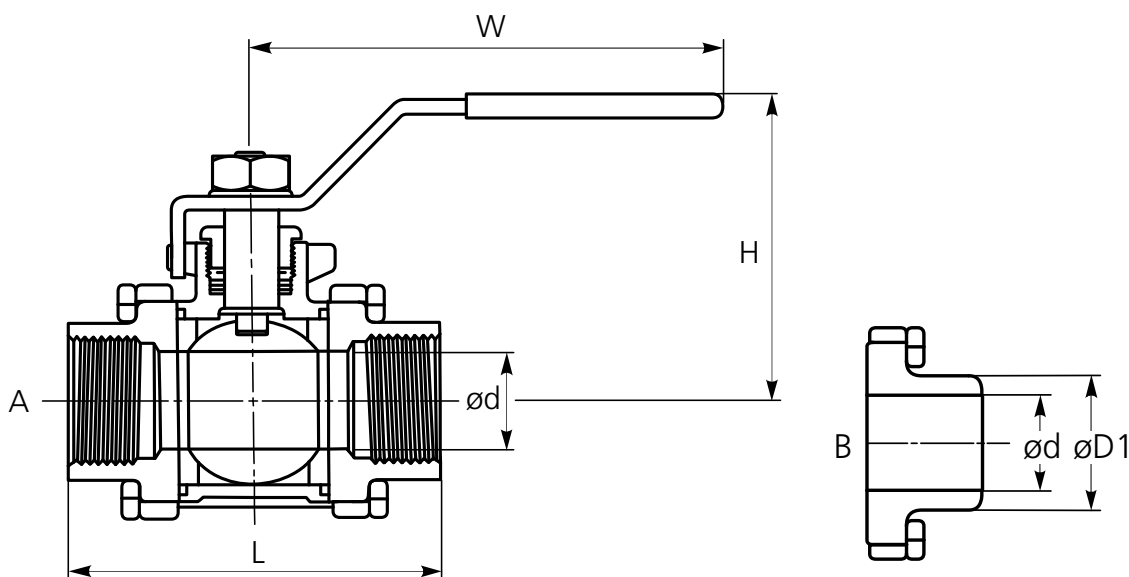
Body	Stainless steel A351-CF8M
Cap	Stainless steel 1.4408
Ball	Stainless steel A351-CF8M
Stem	Stainless steel A276-316
Gland Nut	Stainless steel AISI 304
Ball Seat	Teflon PTFE (reinforced)
Body Seal	Teflon PTFE
Packing	Teflon PTFE
Thrust Washer	Teflon PTFE
Spring Washer	Stainless steel AISI 304
Stem nut	Stainless steel A194 GR.8
Bolt	Stainless steel A193 B8
Nut	Stainless steel A193 B8
Spring washer	Stainless steel AISI 304
Handle	Stainless steel A167 304
Hand Sleeve	PVC
Latch lock	Stainless steel A167 304

### Anslutningsformer

A: Innvendig gjenger.  
 B: Sveiseender.

### Socket

A: Internal BSP Threads.  
 B: Butt welded ends.



HS Code 8481.8091  
 HS Code Int. 8481.80

**MÅLTABELL OG ARTIKKELNUMMER** *MEASUREMENTS AND PART NOS.*

DN	G	d	D	D1	L	H	W	Nm*	KG	Kv	NRF nr./ Part No.	
											A	B
8	1/4"	11,6	12,0	18,0	65	42	98	10,5	0,40	5,1	5601233	5601263
10	3/8"	12,7	14,0	18,0	65	42	98	10,5	0,40	5,9	5601235	5601265
15	1/2"	15,0	17,0	22,0	66	49	115	11,6	0,60	8,5	5601237	5601267
20	3/4"	20,0	22,5	27,5	83	52	115	13,5	0,50	21,3	5601239	5601269
25	1"	25,0	26,0	33,5	95	62	143	20,8	1,25	29,7	5601242	5601272
32	1 1/4"	32,0	35,0	44,0	111	66	143	26,0	2,10	39,1	5601244	5601274
40	1 1/2"	38,0	41,5	50,0	130	77	178	32,0	2,90	68,0	5601246	5601276
50	2"	50,8	53,0	61,5	151	85	178	42,6	4,40	93,5	5601248	5601278
65	2 1/2"	65,0	65,0	76,0	185	139	250	54,0	8,6	266,6	5601251	5601281
80	3"	80,0	80,0	92,0	212	150	251	76,0	15,5	309,6		5601283

\* Dreiemoment / Torque values