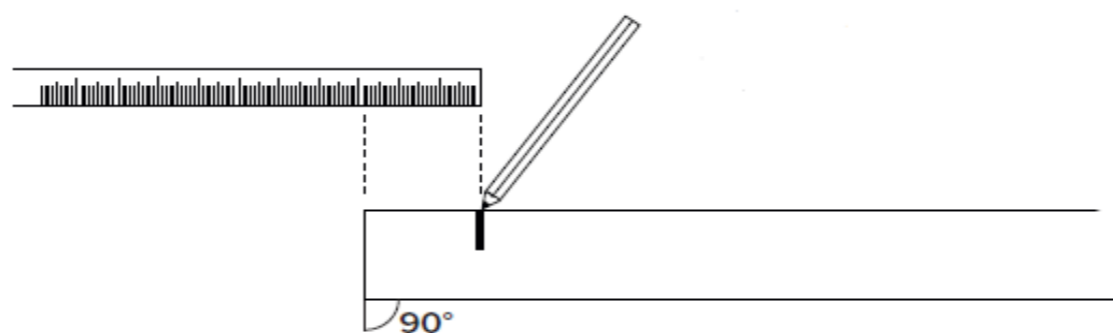


## BRUKSANVISNING

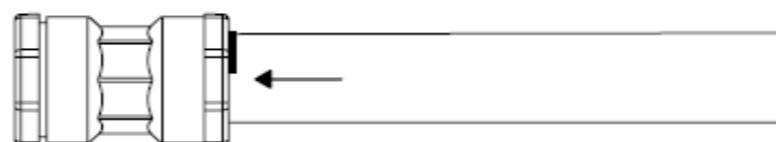
### ECO Line

- 1.**  
Kutt røret rett, markér innstikksdybden ut i fra tabellen nedenfor.



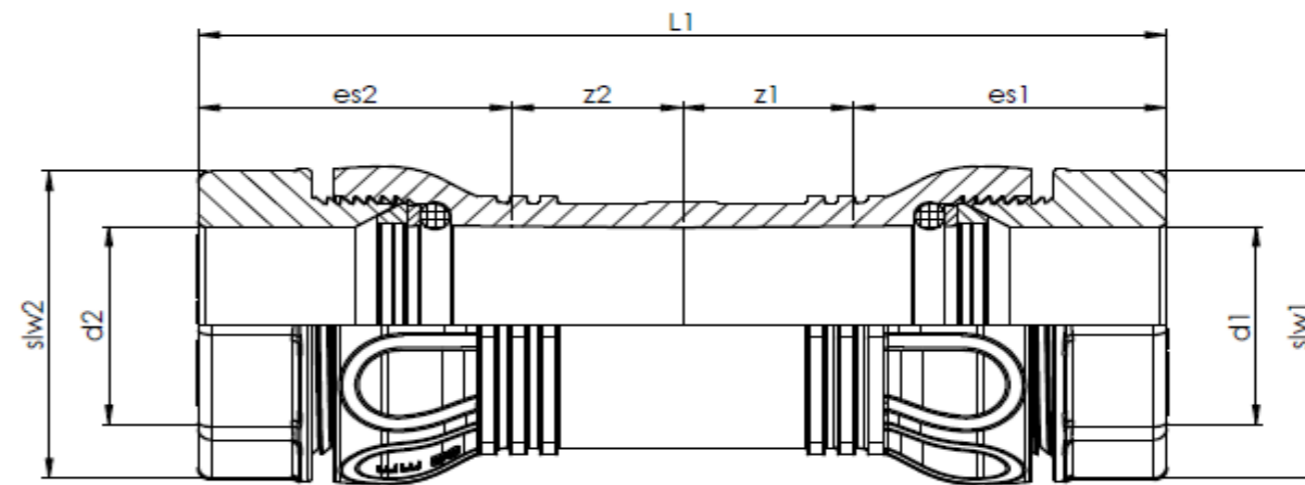
- 2.**  
Se til at alle komponenter er i koblingen og løs opp mutter uten å demontere.

- 3.**  
Skyv inn røret til merket, stram mutter til anslag.



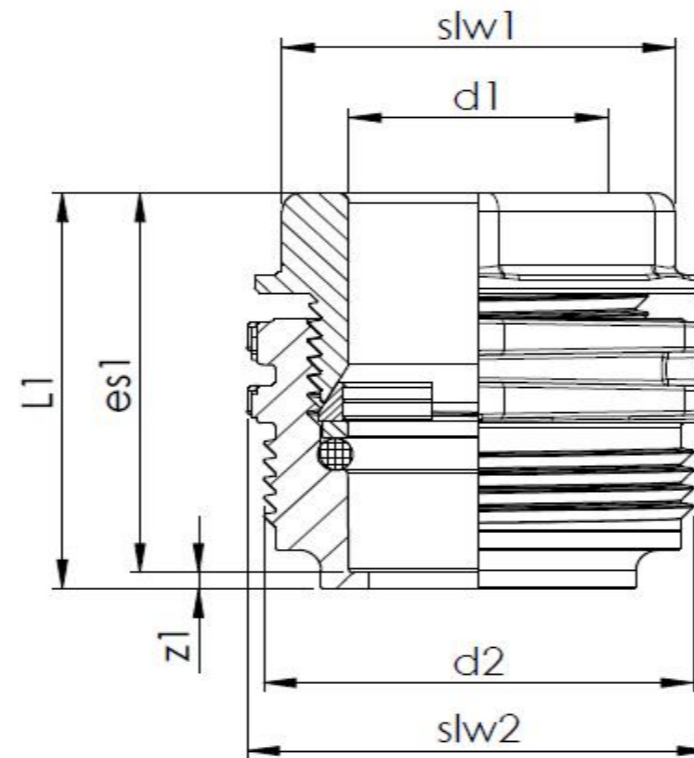
## Type 101

| RWG nr. | NRF     | Dimension | Description        | d1 | d2 | L1  | slw1 | slw2 | es1                 | es2                 | z1      | z2      | Max distance between pipe ends |
|---------|---------|-----------|--------------------|----|----|-----|------|------|---------------------|---------------------|---------|---------|--------------------------------|
| 8211013 | 2564321 | 25mm      | Rep.muffe 25x25 mm | 25 | 25 | 126 | 39   | 39   | min. 42<br>max. 58  | min. 42<br>max. 58  | min. 5  | min. 5  | 42                             |
| 8211014 | 2564322 | 32mm      | Rep.muffe 32x32 mm | 32 | 32 | 136 | 48   | 48   | min. 46<br>max. 63  | min. 46<br>max. 63  | min. 5  | min. 5  | 44                             |
| 8211015 | 2561061 | 40mm      | Rep.muffe 40x40 mm | 40 | 40 | 174 | 53   | 53   | min. 59<br>max. 79  | min. 59<br>max. 79  | min. 8  | min. 8  | 56                             |
| 8211016 | 2564323 | 50mm      | Rep.muffe 50x50 mm | 50 | 50 | 188 | 64   | 64   | min. 63<br>max. 86  | min. 63<br>max. 86  | min. 8  | min. 8  | 62                             |
| 8211017 | NA      | 63mm      | Rep.muffe 63x63 mm | 63 | 63 | 226 | 78   | 78   | min 82.<br>max. 103 | min 82.<br>max. 103 | min. 10 | min. 10 | 62                             |



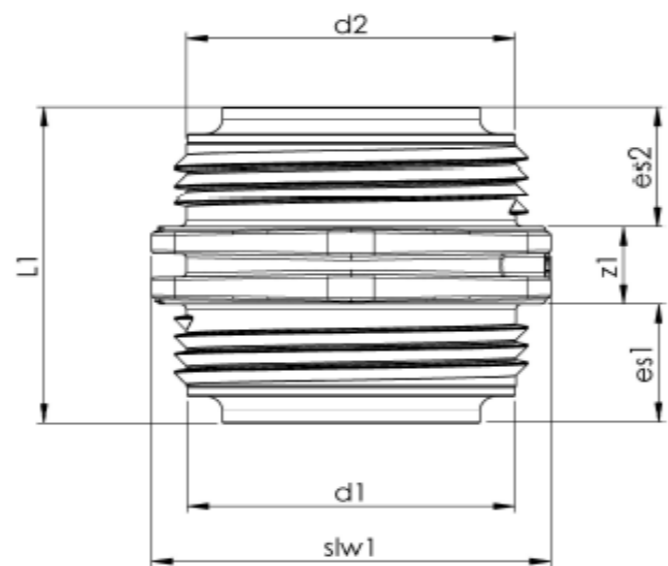
## Type 135

| RWG nr. | NRF     | Dimension   | Description            | d1 | d2 | L1 | slw1 | slw2 | es1 | z1  |
|---------|---------|-------------|------------------------|----|----|----|------|------|-----|-----|
| 8211354 | 5113518 | 32mm - 25mm | ECO LINE Redus adapter | 25 | 32 | 44 | 39   | 46   | 42  | 2   |
| 8211357 | 2561412 | 63mm - 50mm | ECO LINE Redus adapter | 50 | 63 | 74 | 64   | 98   | 63  | 3.7 |



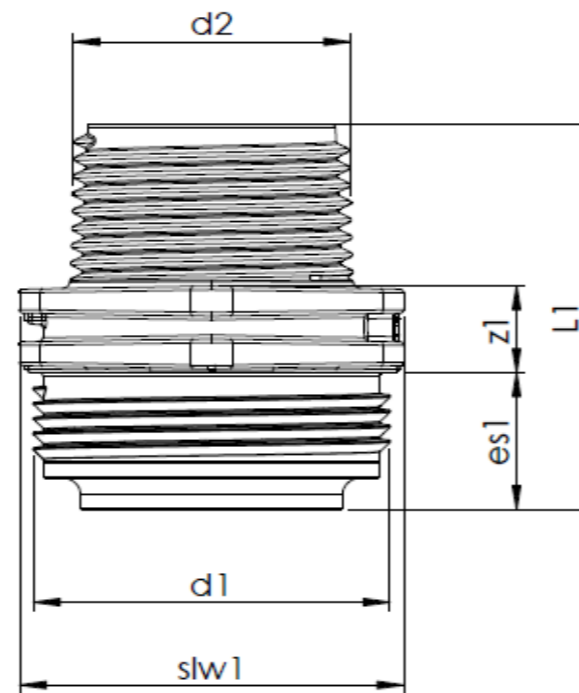
### Type 144

| RWG nr. | NRF | Dimension   | Description                | d1 | d2 | L1 | slw1 | es1 | es2 | z1 |
|---------|-----|-------------|----------------------------|----|----|----|------|-----|-----|----|
| 8211444 |     | 32mm x 32mm | ECO LINE<br>dobbeltknippel | 32 | 32 | 48 | 46   | 18  | 18  | 12 |
| 8211445 |     | 40mm x 40mm | ECO LINE<br>dobbeltknippel | 40 | 40 | 53 | 61   | 20  | 20  | 13 |
| 8211447 |     | 63mm x 63mm | ECO LINE<br>dobbeltknippel | 63 | 63 | 66 | 90   | 25  | 25  | 16 |



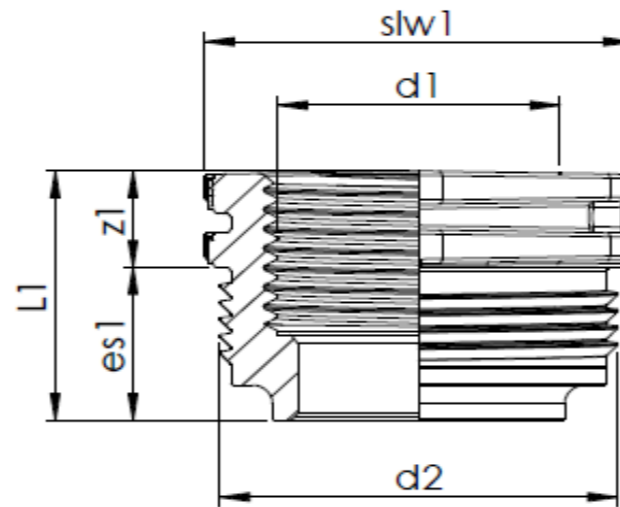
Type 146 / 147

| RWG nr. | NRF     | Dimension      | Description                        | d1 | d2      | L1 | slw1 | es1 | z1 |
|---------|---------|----------------|------------------------------------|----|---------|----|------|-----|----|
| 8212474 | 5113315 | 32mm x R1"     | ECO LINE overgang m/utv. rørgjenge | 32 | R1"     | 51 | 46   | 18  | 11 |
| 8212464 |         | 32mm x R1 1/4" | ECO LINE overgang m/utv. rørgjenge | 32 | R1 1/4" | 54 | 46   | 18  | 36 |
| 8212475 | 5113316 | 40mm x R1 1/4" | ECO LINE overgang m/utv. rørgjenge | 40 | R1 1/4" | 57 | 61   | 20  | 12 |
| 8212476 |         | 50mm x R1 1/2" | ECO LINE overgang m/utv. rørgjenge | 50 | R1 1/2" | 62 | 72   | 23  | 39 |
| 8212477 |         | 63mm x 2"      | ECO LINE overgang m/utv. rørgjenge | 63 | R2"     | 68 | 90   | 25  | 43 |



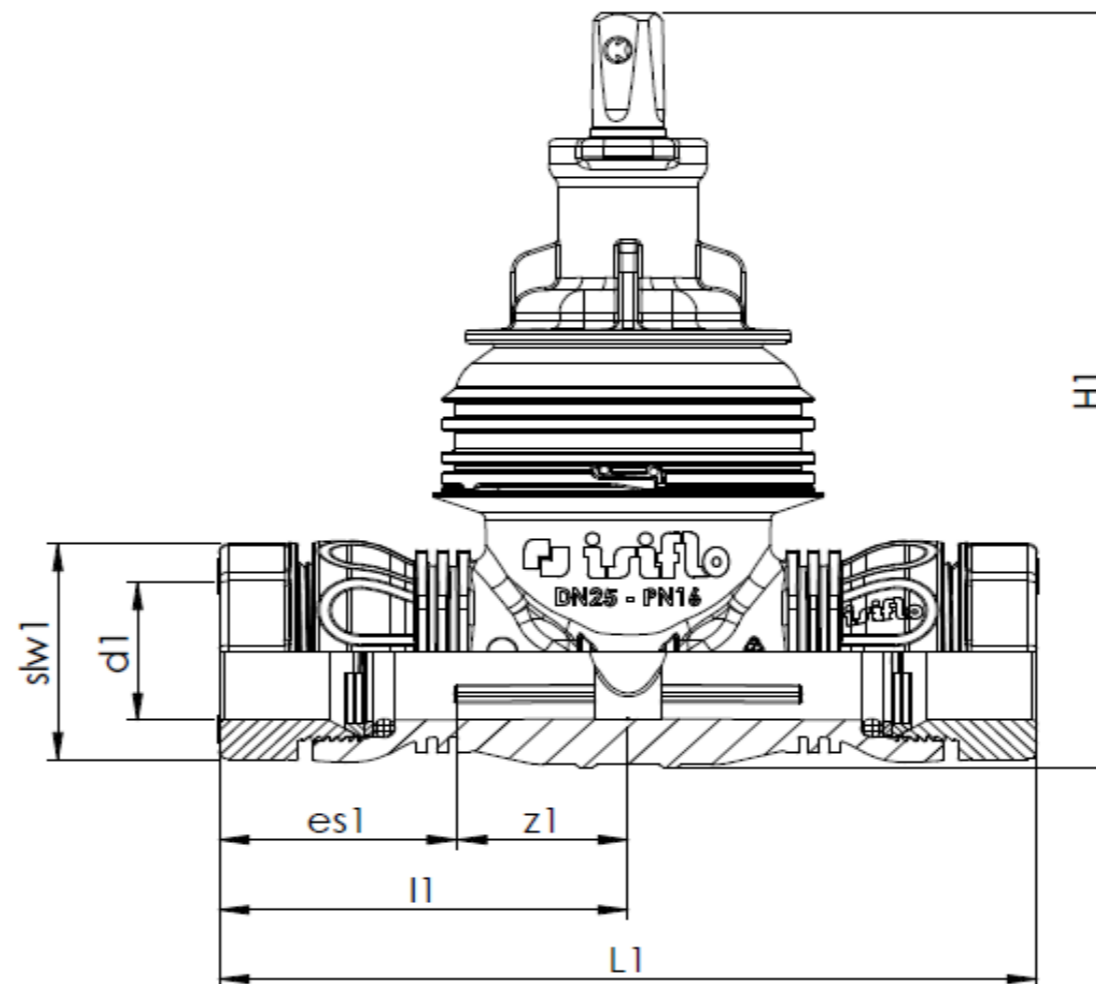
## Type 148

| RWG nr. | NRF     | Dimension     | Description                         | d1     | d2 | L1 | slw1 | es1 | z1 |
|---------|---------|---------------|-------------------------------------|--------|----|----|------|-----|----|
| 8212484 | 5113523 | 32mm x 1"     | ECO LINE overgang m/innv. rørgjenge | 1"     | 32 | 30 | 46   | 18  | 11 |
| 8212485 | 5113524 | 40mm x 1 1/4" | ECO LINE overgang m/innv. rørgjenge | 1 1/4" | 40 | 33 | 61   | 20  | 12 |
| 8212486 |         | 50mm x 1 1/2" | ECO LINE overgang m/innv. rørgjenge | 1 1/2" | 50 | 37 | 72   | 23  | 14 |
| 8212487 |         | 63mm x 2"     | ECO LINE overgang m/innv. rørgjenge | 2"     | 63 | 41 | 90   | 25  | 16 |



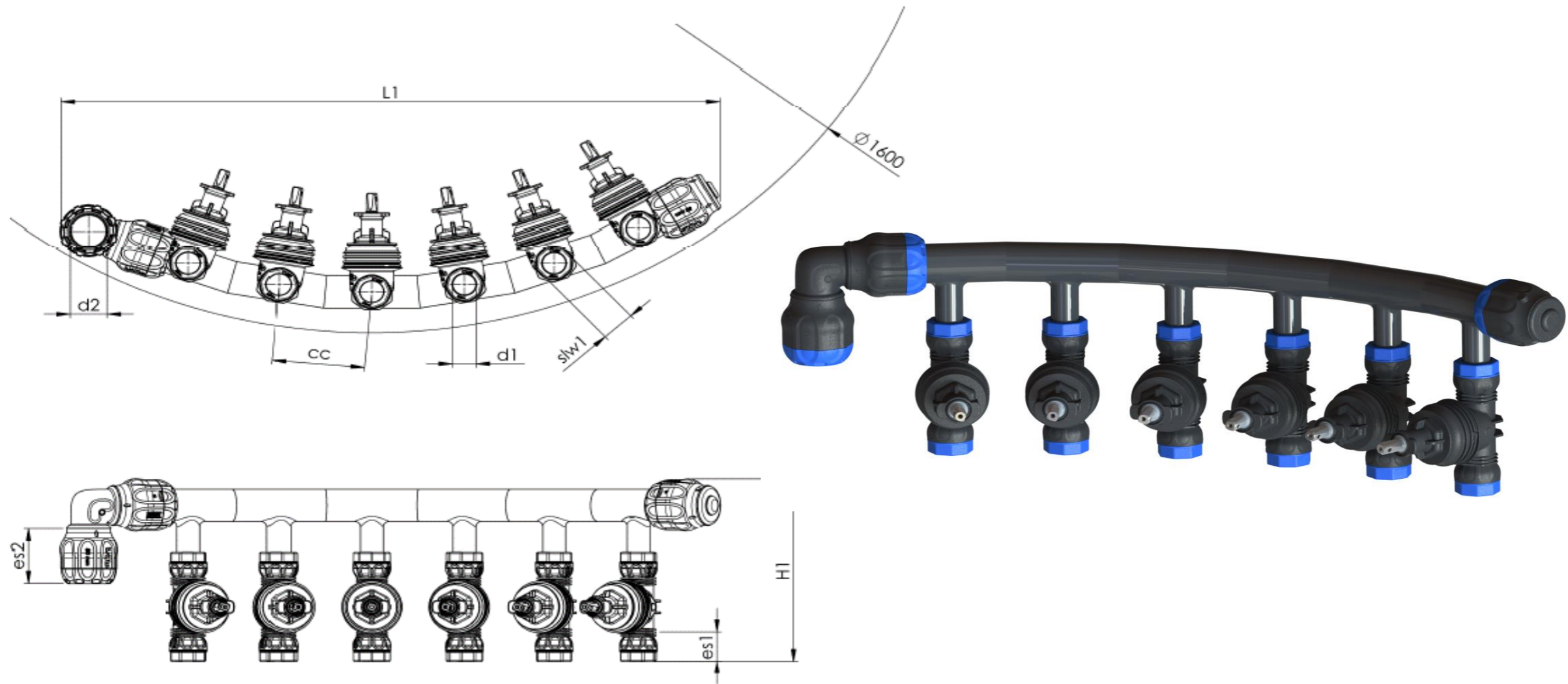
## Type 200/201

| RWG nr. | NRF     | Dimension | Description               | d1 | slw1 | L1  | l1  | es1 | z1 | H1  |
|---------|---------|-----------|---------------------------|----|------|-----|-----|-----|----|-----|
| 8212003 | 3381207 | 25mm      | ECO LINE Bakkekran        | 25 | 39   | 186 | 93  | 42  | 51 | 180 |
| 8212004 | 3381216 | 32mm      | ECO LINE Bakkekran        | 32 | 48   | 164 | 82  | 46  | 36 | 180 |
| 8212014 | 3381365 | 32mm      | ECO Line Bakkekran Arctic | 32 | 48   | 164 | 82  | 46  | 36 | 180 |
| 8212005 | 3381209 | 40mm      | ECO Line Bakkekran        | 40 | 53   | 204 | 102 | 59  | 43 | 185 |
| 8212015 | 3381366 | 40mm      | ECO Line Bakkekran Arctic | 40 | 53   | 204 | 102 | 59  | 43 | 185 |
| 8212006 | 3381368 | 50mm      | ECO Line Bakkekran        | 50 | 64   | 294 | 147 | 63  | 84 | 240 |
| 8212007 | 3381369 | 63mm      | ECO Line Bakkekran        | 63 | 78   | 281 | 140 | 79  | 62 | 240 |



**Type 250**

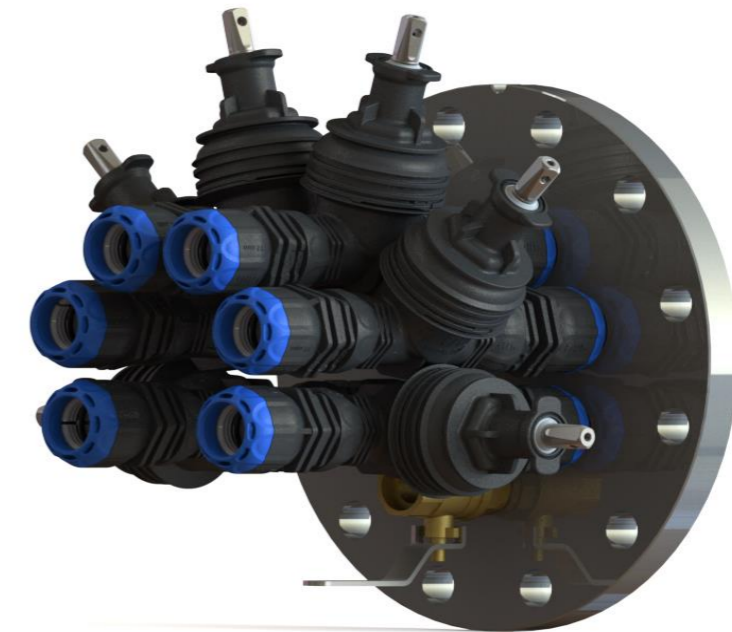
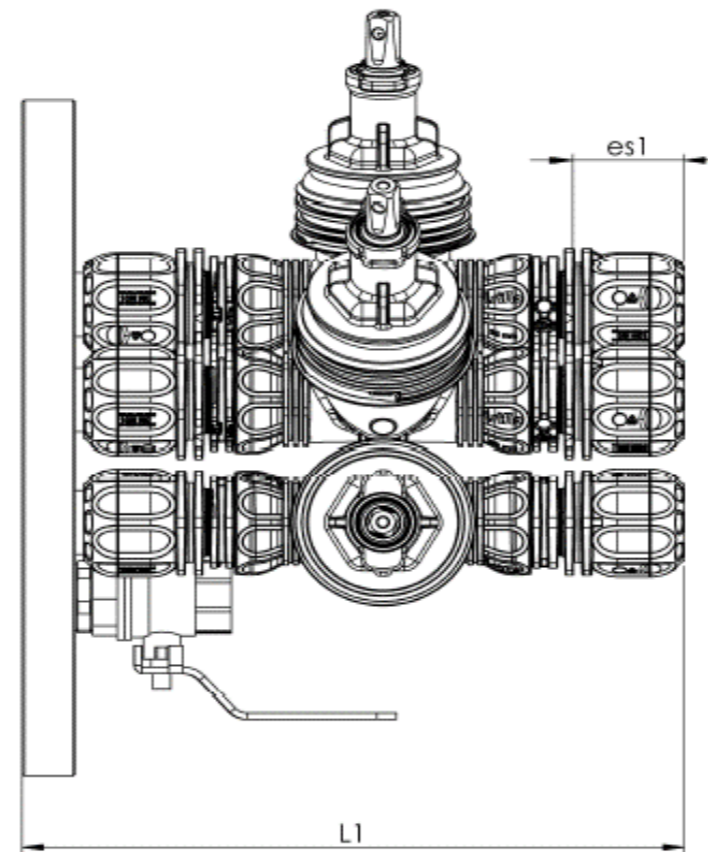
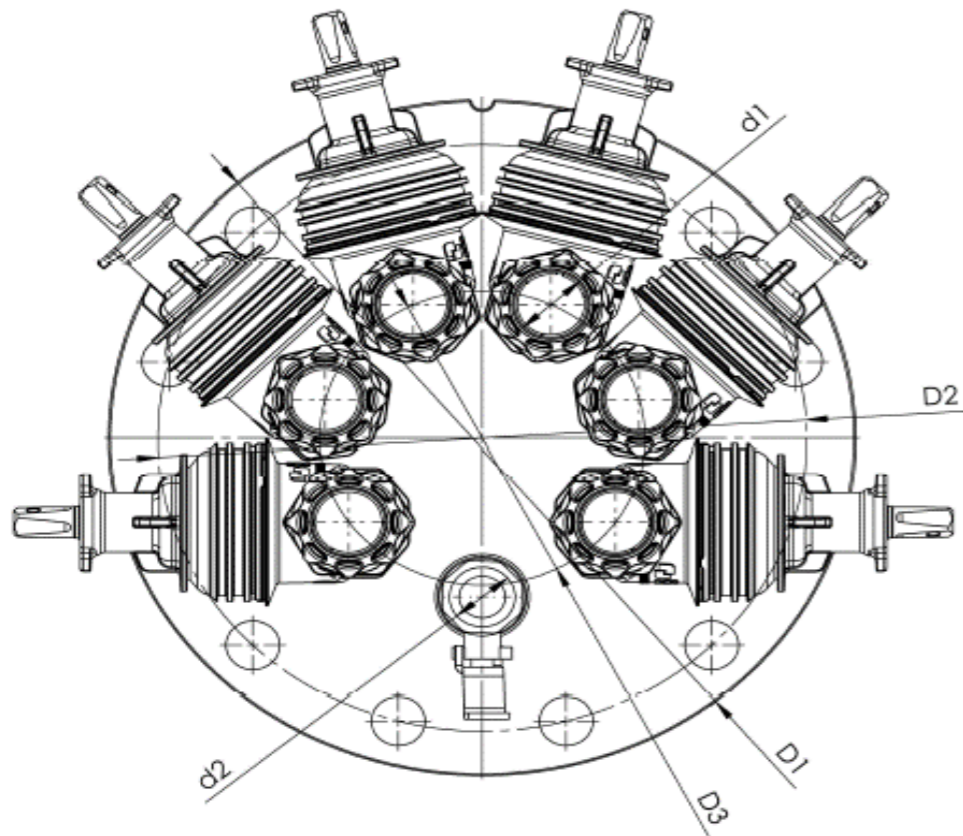
| RWG nr. | NRF     | Dimension              | Description       | Ø Manhole | d1 | d2 | slw1 | L1   | cc  | es1 | es2 | H1  |
|---------|---------|------------------------|-------------------|-----------|----|----|------|------|-----|-----|-----|-----|
| 8212514 | 3381411 | 4 valves 32mm - Ø1600  | ECO LINE Manifold | 1600      | 32 | 50 | 39   | 688  | 130 | 42  | 84  | 282 |
| 8212534 | 3381412 | 6 valves 32mm - Ø1600  | ECO LINE Manifold | 1600      | 32 | 50 | 39   | 918  | 130 | 42  | 84  | 282 |
| 8212554 | 3381413 | 8 valves 32mm - Ø1600  | ECO LINE Manifold | 1600      | 32 | 50 | 39   | 1268 | 130 | 42  | 84  | 282 |
| 8212574 | 3381416 | 10 valves 32mm - Ø1600 | ECO LINE Manifold | 1600      | 32 | 50 | 39   | 959  | 130 | 42  | 84  | 548 |
| 8212594 | 3381414 | 12 valves 32mm - Ø1600 | ECO LINE Manifold | 1600      | 32 | 50 | 39   | 1015 | 130 | 42  | 84  | 548 |





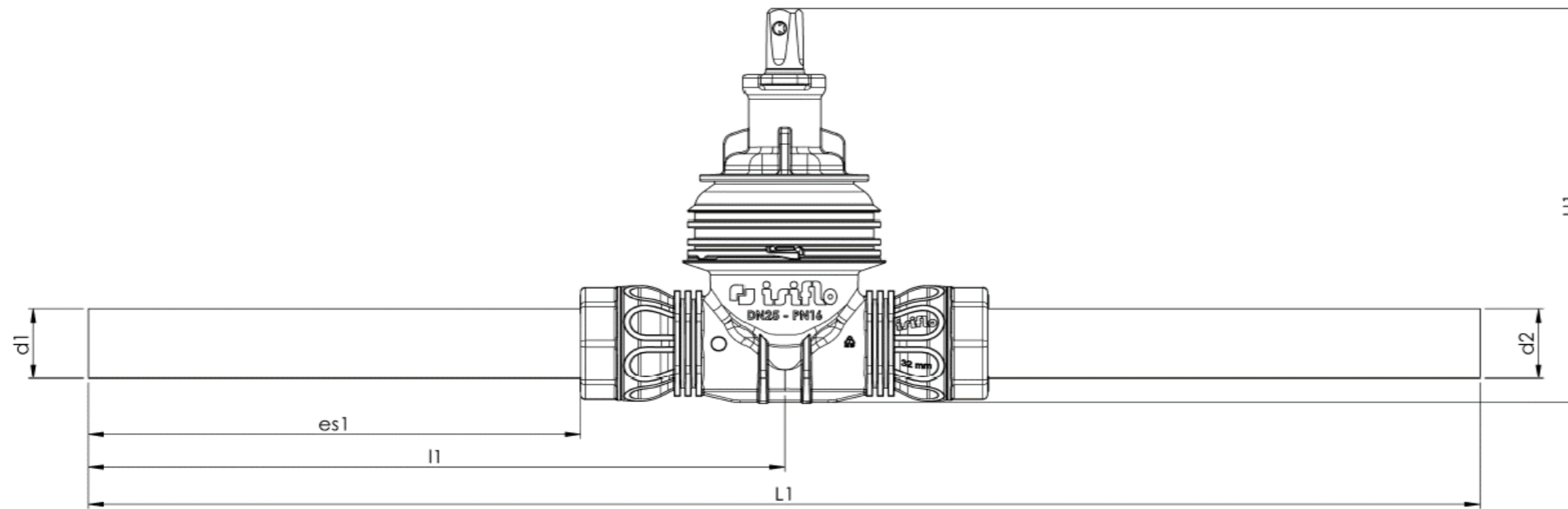
## Type 260

| RWG nr. | NRF     | Dimension                | Description            | D1  | D2  | D3  | L1  | d1 | d2 | es1 |
|---------|---------|--------------------------|------------------------|-----|-----|-----|-----|----|----|-----|
| 8212614 | 3381417 | 5 valves 32mm<br>- DN150 | ECO LINE<br>Samleflens | 285 | 240 | 110 | 300 | 32 | NA | 50  |
| 8212604 | 3381415 | 6 valves 32mm<br>- DN200 | ECO LINE<br>Samleflens | 340 | 295 | 148 | 300 | 32 | 1" | 50  |



## Type 290

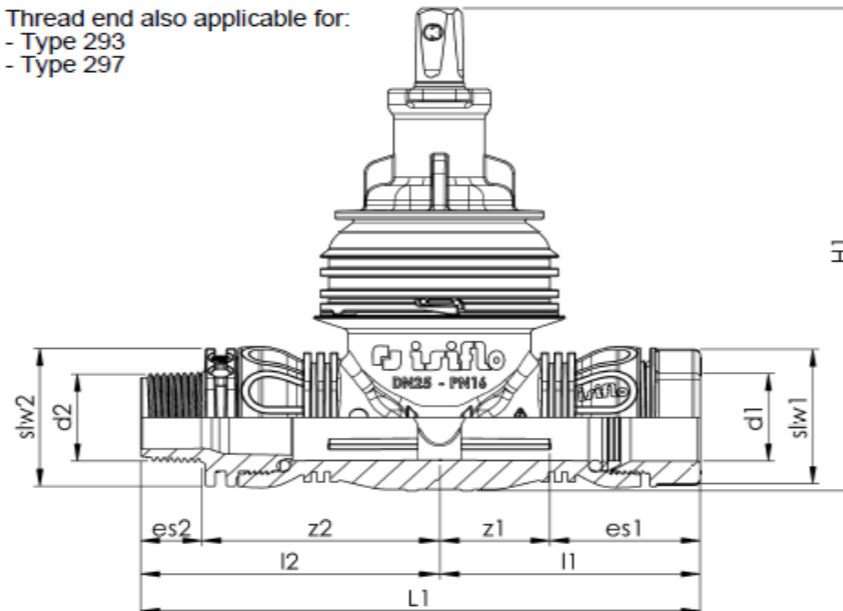
| RWG nr. | NRF     | Dimension   | Description                 | d1 | d2 | L1  | l1  | l2  | es1 | es2 | H1  |
|---------|---------|-------------|-----------------------------|----|----|-----|-----|-----|-----|-----|-----|
| 8212904 | 3381223 | 32mm x 32mm | ECO LINE Bakkekran m PE-ben | 32 | 32 | 580 | 290 | 290 | 205 | 205 | 180 |
| 8212905 | 3381224 | 40mm x 40mm | ECO LINE Bakkekran m PE-ben | 40 | 40 | 580 | 290 | 290 | 192 | 192 | 185 |
| 8212906 | 3381233 | 50mm x 50mm | ECO LINE Bakkekran m PE-ben | 50 | 50 | 760 | 380 | 380 | 233 | 233 | 240 |
| 8212907 | 3381234 | 63mm x 63mm | ECO LINE Bakkekran m PE-ben | 63 | 63 | 704 | 352 | 352 | 211 | 211 | 240 |



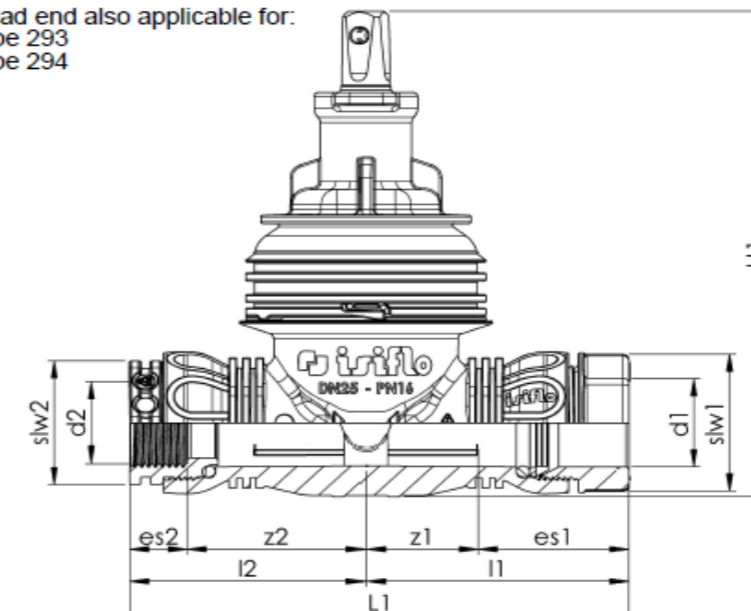
Type 291, 292, 293, 294, 297

| RWG nr. | NRF     | Dimension           | Description                  | d1       | d2       | slw1 | slw2 | L1  | l1  | l2  | es1 | es2 | z1  | z2  | H1  |
|---------|---------|---------------------|------------------------------|----------|----------|------|------|-----|-----|-----|-----|-----|-----|-----|-----|
| 8212914 | 3381352 | 32mm x 1"FM         | ECO LINE Bakkekran m gjenger | 32       | Rp1"     | 48   | 46   | 166 | 87  | 79  | 50  | 19  | 37  | 60  | 180 |
| 8212924 | 3381354 | 32mm x 1"M          | ECO LINE Bakkekran m gjenger | 32       | R1"      | 48   | 46   | 188 | 87  | 101 | 50  | 20  | 37  | 81  | 180 |
| 8212934 | 3381356 | 1"FM x 1"M          | ECO LINE Bakkekran m gjenger | Rp1"     | R1"      | 46   | 46   | 180 | 79  | 101 | 19  | 20  | 60  | 81  | 180 |
| 8212944 | 3381358 | 1"FM x 1"FM         | ECO LINE Bakkekran m gjenger | Rp1"     | Rp1"     | 46   | 46   | 158 | 79  | 79  | 19  | 19  | 60  | 60  | 180 |
| 8212974 | 3381225 | 1"M x 1"M           | ECO LINE Bakkekran m gjenger | R1"      | R1"      | 46   | 46   | 202 | 101 | 101 | 20  | 20  | 81  | 81  | 180 |
| 8212915 | 3381353 | 40mm x 1 1/4"FM     | ECO LINE Bakkekran m gjenger | 40       | Rp1 1/4" | 53   | 61   | 188 | 103 | 85  | 59  | 19  | 44  | 66  | 185 |
| 8212925 | 3381355 | 40mm x 1 1/4"M      | ECO LINE Bakkekran m gjenger | 40       | R1 1/4"  | 53   | 61   | 212 | 102 | 110 | 59  | 23  | 43  | 87  | 185 |
| 8212935 | 3381357 | 1 1/4"FM x 1 1/4"M  | ECO LINE Bakkekran m gjenger | Rp1 1/4" | R1 1/4"  | 61   | 61   | 195 | 85  | 110 | 19  | 23  | 66  | 87  | 185 |
| 8212945 | 3381359 | 1 1/4"FM x 1 1/4"FM | ECO LINE Bakkekran m gjenger | Rp1 1/4" | Rp1 1/4" | 61   | 61   | 170 | 85  | 85  | 19  | 19  | 66  | 66  | 185 |
| 8212975 | 3381226 | 1 1/4"M x 1 1/4"M   | ECO LINE Bakkekran m gjenger | R1 1/4"  | R1 1/4"  | 61   | 61   | 220 | 110 | 110 | 23  | 23  | 87  | 87  | 185 |
| 8212916 |         | 50mm x 1 1/2"FM     | ECO LINE Bakkekran m gjenger | 50       | Rp1 1/2" | 64   | 72   | 279 | 147 | 132 | 63  | 21  | 84  | 111 | 240 |
| 8212926 |         | 50mm x 1 1/2"M      | ECO LINE Bakkekran m gjenger | 50       | R1 1/2"  | 64   | 72   | 303 | 147 | 156 | 63  | 24  | 84  | 132 | 240 |
| 8212936 |         | 1 1/2"FM x 1 1/2"M  | ECO LINE Bakkekran m gjenger | Rp1 1/2" | R1 1/2"  | 72   | 72   | 289 | 156 | 133 | 24  | 21  | 132 | 112 | 240 |
| 8212946 |         | 1 1/2"FM x 1 1/2"FM | ECO LINE Bakkekran m gjenger | Rp1 1/2" | Rp1 1/2" | 72   | 72   | 264 | 132 | 132 | 21  | 21  | 111 | 111 | 240 |
| 8212976 |         | 1 1/2"M x 1 1/2"M   | ECO LINE Bakkekran m gjenger | R1 1/2"  | R1 1/2"  | 72   | 72   | 312 | 156 | 156 | 24  | 24  | 132 | 132 | 240 |
| 8212917 |         | 63mm x 2"FM         | ECO LINE Bakkekran m gjenger | 63       | Rp2"     | 78   | 90   | 264 | 141 | 123 | 79  | 26  | 62  | 97  | 240 |
| 8212927 |         | 63mm x 2"M          | ECO LINE Bakkekran m gjenger | 63       | R2"      | 78   | 90   | 291 | 141 | 150 | 79  | 27  | 62  | 123 | 240 |
| 8212937 |         | 2"FM x 2"M          | ECO LINE Bakkekran m gjenger | Rp2"     | R2"      | 90   | 90   | 273 | 123 | 150 | 26  | 27  | 97  | 123 | 240 |
| 8212947 |         | 2"FM x 2"FM         | ECO LINE Bakkekran m gjenger | Rp2"     | Rp2"     | 90   | 90   | 246 | 123 | 123 | 26  | 26  | 97  | 97  | 240 |
| 8212975 |         | 2"M x 2"M           | ECO LINE Bakkekran m gjenger | R2"      | R2"      | 90   | 90   | 300 | 150 | 150 | 27  | 27  | 123 | 123 | 240 |

Thread end also applicable for:  
 - Type 293  
 - Type 297

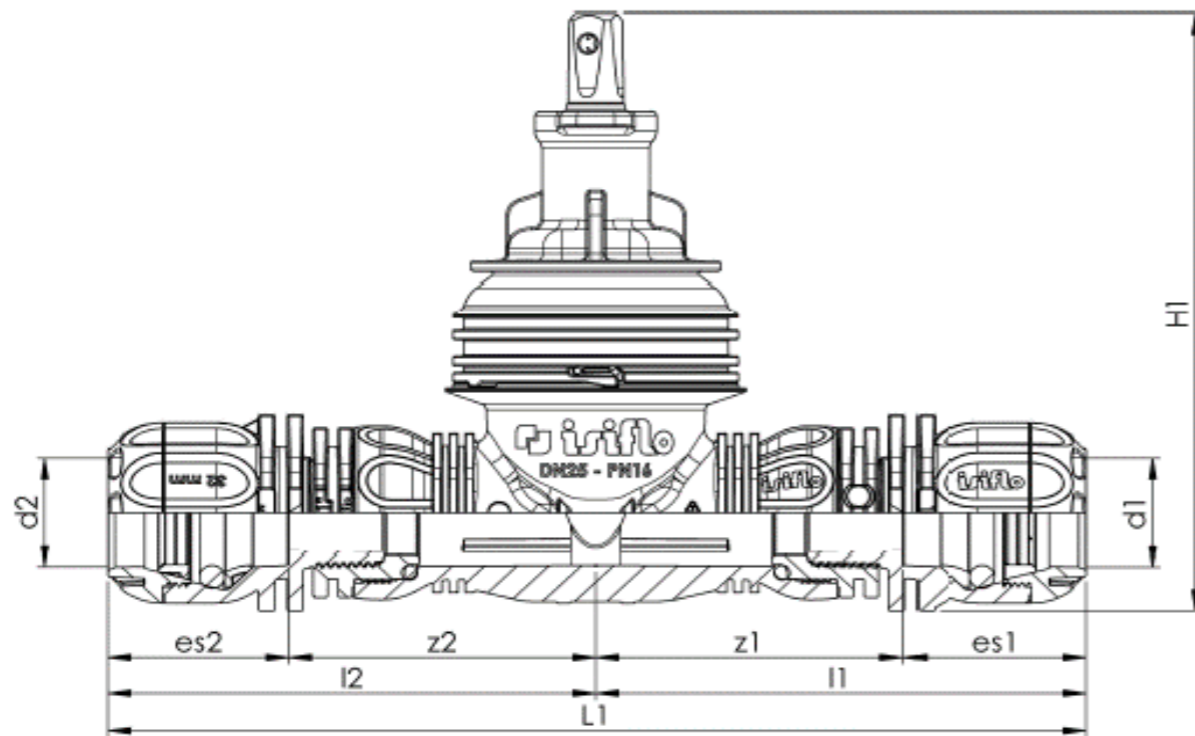


Thread end also applicable for:  
 - Type 293  
 - Type 294



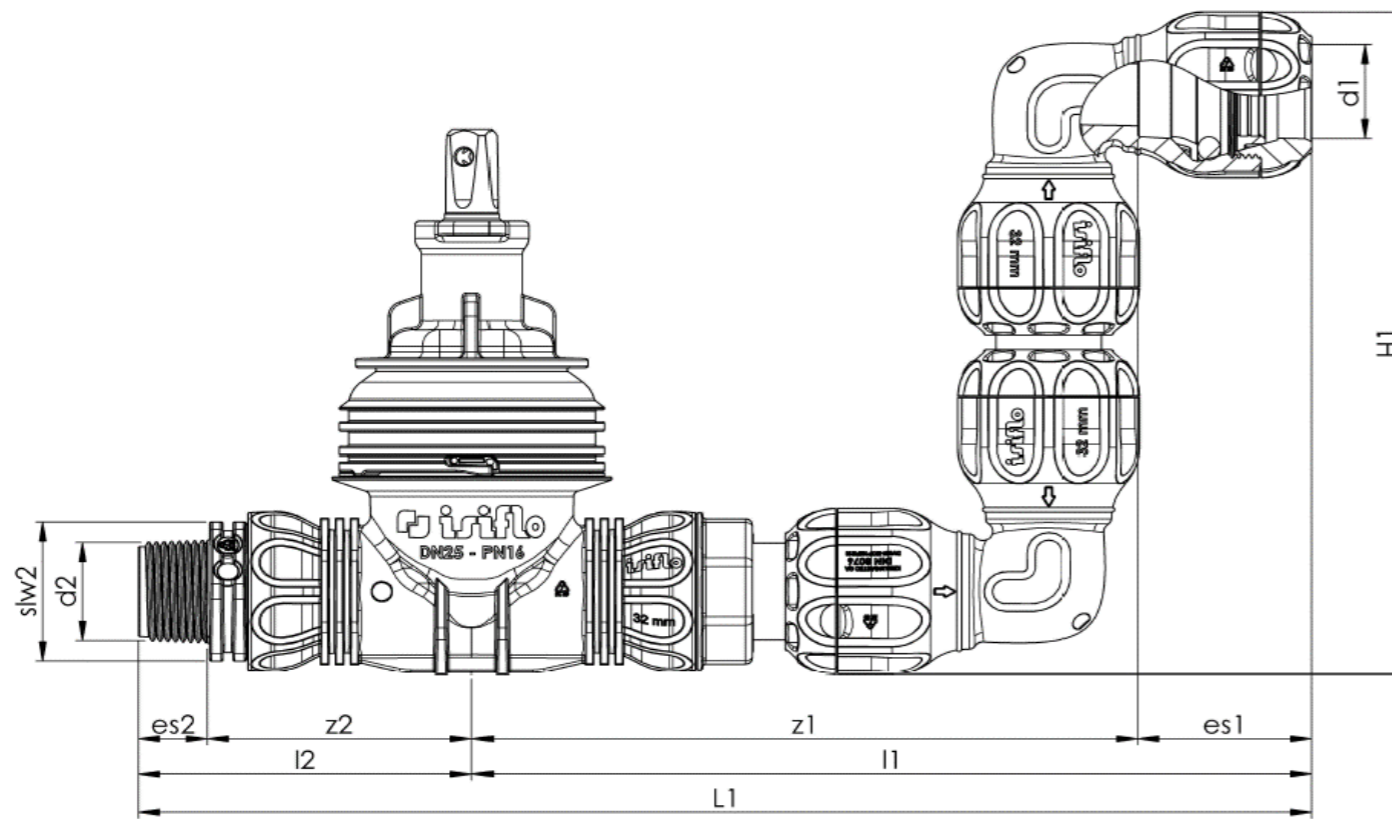
## Type 295

| RWG nr. | NRF     | Dimension   | Description                    | d1 | d2 | L1  | l1  | l2  | es1 | es2 | z1  | z2  | H1  |
|---------|---------|-------------|--------------------------------|----|----|-----|-----|-----|-----|-----|-----|-----|-----|
| 8212954 | 3381361 | 32mm x 32mm | ECO LINE Bakkekran<br>m Sprint | 32 | 32 | 272 | 136 | 136 | 50  | 50  | 86  | 86  | 180 |
| 8212955 | 3381362 | 40mm x 40mm | ECO LINE Bakkekran<br>m Sprint | 40 | 40 | 316 | 158 | 158 | 62  | 62  | 96  | 96  | 185 |
| 8212956 |         | 50mm x 50mm | ECO LINE Bakkekran<br>m Sprint | 50 | 50 | 450 | 225 | 225 | 84  | 84  | 141 | 141 | 240 |
| 8212957 |         | 63mm x 63mm | ECO LINE Bakkekran<br>m Sprint | 63 | 63 | 436 | 218 | 218 | 82  | 82  | 136 | 136 | 240 |



**Type 296**

| RWG nr. | NRF     | Dimension                   | Description        | d1 | d2      | slw2 | L1  | l1  | l2  | es1 | es2 | z1  | z2  | H1  |
|---------|---------|-----------------------------|--------------------|----|---------|------|-----|-----|-----|-----|-----|-----|-----|-----|
| 8212964 | 3381363 | 1"M x 32mm sviwel elbow     | ECO LINE Bakkekran | 32 | R1"     | 46   | 390 | 254 | 136 | 50  | 20  | 204 | 116 | 220 |
| 8212965 | 3381364 | 1 1/4"M x 40mm sviwel elbow | ECO LINE Bakkekran | 40 | R1 1/4" | 61   | 416 | 306 | 110 | 62  | 23  | 244 | 87  | 274 |
| 8212966 |         | 1 1/2"M x 50mm sviwel elbow | ECO LINE Bakkekran | 50 | R1 1/2" | 72   | 571 | 415 | 156 | 84  | 24  | 331 | 132 | 346 |
| 8212967 |         | 2"M x 63mm sviwel elbow     | ECO LINE Bakkekran | 63 | R2"     | 90   | 540 | 390 | 150 | 82  | 27  | 308 | 123 | 358 |



**Type 298**

| RWG nr. | NRF | Dimension | Description                     | d1 | d2 | slw1 | slw2 | L1  | l1  | l2  | es1 | es2 | z1 | z2  | h1  | H1  |
|---------|-----|-----------|---------------------------------|----|----|------|------|-----|-----|-----|-----|-----|----|-----|-----|-----|
| 8212984 |     | 32mm      | ECO Line Bakkekran m rep. kobl. | 32 | 32 | 48   | 48   | 293 | 82  | 211 | 46  | 105 | 36 | 106 | 153 | 180 |
| 8212985 |     | 40mm      | ECO Line Bakkekran m rep. kobl. | 40 | 40 | 53   | 53   | 332 | 102 | 230 | 59  | 123 | 43 | 107 | 153 | 185 |
| 8212986 |     | 50mm      | ECO Line Bakkekran m rep. kobl. | 50 | 50 | 64   | 64   | 459 | 147 | 312 | 63  | 164 | 84 | 148 | 188 | 240 |
| 8212987 |     | 63mm      | ECO Line Bakkekran m rep. kobl. | 63 | 63 | 78   | 78   | 447 | 140 | 307 | 79  | 157 | 61 | 150 | 188 | 240 |

