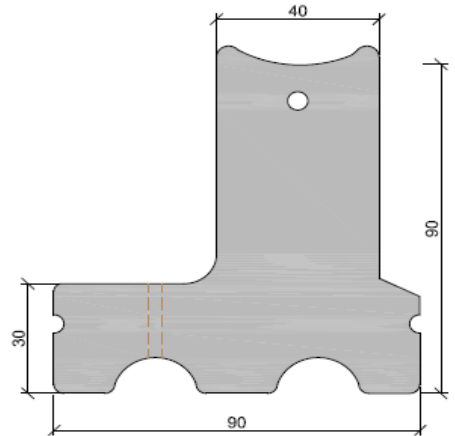


Manufacturer: Quick Bauprodukte GmbH
Test requirements: Test instruction fibre concrete "Norwegian Standard"
Material / Mixture-No.: Quick fiber concrete M1
Concrete quality: C45/55
Exposure class concrete: acc. to Eurocode 2 (EC2) X0 / XC4 / XD 3 / XF4 / XA2

Article / Article-No.: Mounting-Bipo 90 without wire / 22030
Concrete cover: 90 mm
Production date: 27.11.2019
Test period: 02.-05.01.2019


Results dimension test

Part No.	H	Vippediagonal
1	90,0	99,0
2	90,0	99,0
3	91,0	99,0
mean	90,3	99,0

Results water absorption test

Part No.	Storage weight in g after 48 hours heat treatment curing at +105°C	Weight in g after 30 min. immersion	Water content in % after 30 min. (to be < 5 %)	Weight in g after 24 hours immersion	Water content in % after 24 hours (to be < 8,5 %)
1	373	385	3,2%	395	6,1%
2	380	391	3,0%	402	5,9%
3	373	383	2,9%	395	6,0%
mean			3,0%		6,0%

Results breaking load test

Part No.	breaking load F / kN (to be >6 kN)
1	12,6
2	12,2
3	11,0
mean	11,9

This certificate complies to the requirements of DIN / EN 10204:2005-01-3.1

The buyer is not released from any entry control.
It is also irrelevant in case of incorrect use or handling.