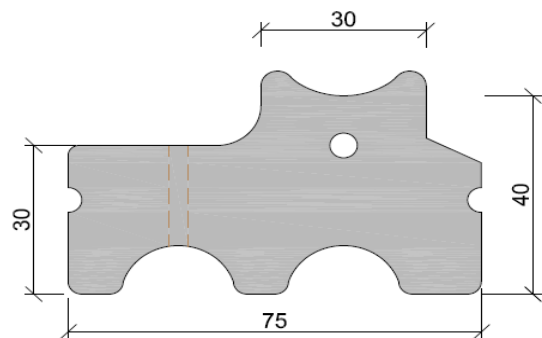


Manufacturer: Quick Bauprodukte GmbH
Test requirements: Test instruction fibre concrete "Norwegian Standard"
Material / Mixture-No.: Quick fiber concrete M1
Concrete quality: C40/50
Exposure class concrete acc. to Eurocode 2 (EC2) X0 / XC4 / XD 3 / XF4 / XA2

Article / Article-No.: Mounting-Bipo 40 without wire / 22034
Concrete cover: 40 mm
Production date: 27.11.2018
Test period: 02.-05.01.2019



Results dimension test

Part No.	H	Vippediagonal
1	40,0	54,0
2	41,0	55,0
3	40,0	54,0
mean	40,3	54,3

Results water absorption test

Part No.	Storage weight in g after 48 hours heat treatment curing at +105°C	Weight in g after 30 min. immersion	Water content in % after 30 min. (to be < 5 %)	Weight in g after 24 hours immersion	Water content in % after 24 hours (to be < 8,5 %)
1	161	166	3,2%	171	6,7%
2	180	186	3,4%	193	7,1%
3	169	174	2,9%	181	6,6%
mean			3,2%		6,8%

Results breaking load test

Part No.	breaking load F / kN (to be >6 kN)
1	10,9
2	11,5
3	10,1
mean	10,8

This certificate complies to the requirements of DIN / EN 10204:2005-01-3.1

The buyer is not released from any entry control.
 It is also irrelevant in case of incorrect use or handling.