

PowerMaster Plus™

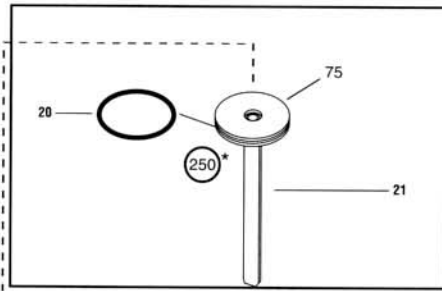
PSN90

501560

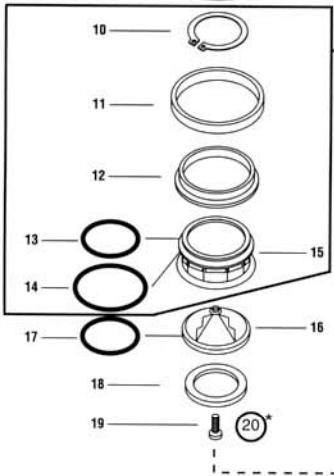
Piston
Assembly

~~501509~~

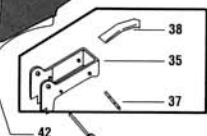
Replaced by 501519



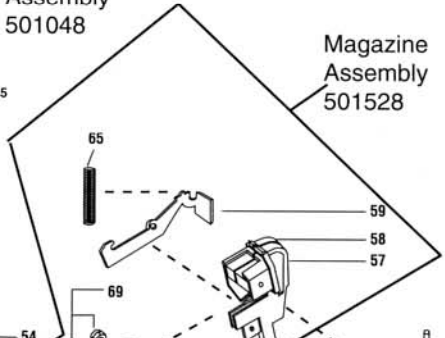
Main Valve
Assembly
500463



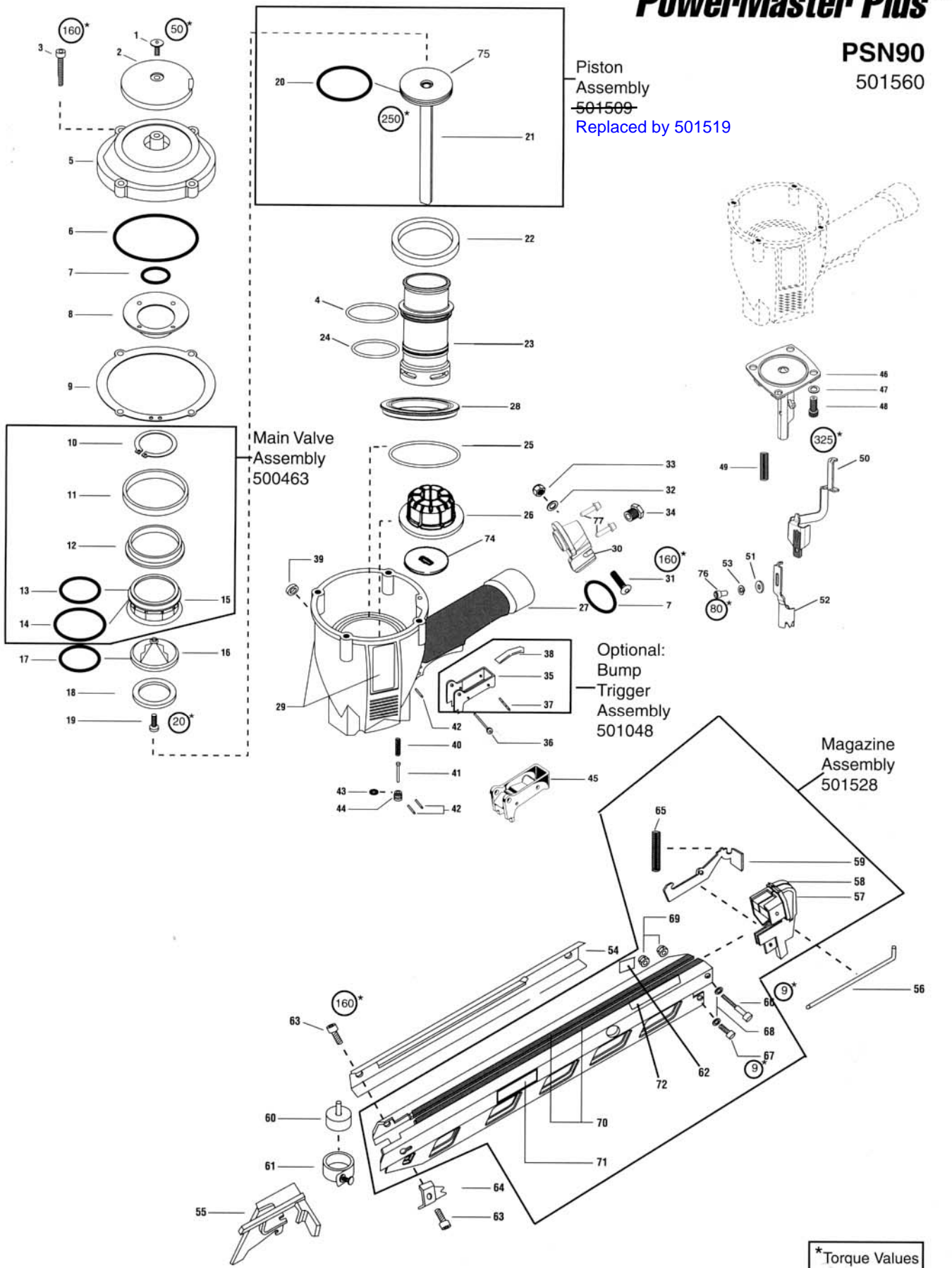
Optional:
Bump
Trigger
Assembly
501048



Magazine
Assembly
501528



*Torque Values
IN/LBS



Plan Number	Eurocode	Description
000	403720	(OBS)OIL-16 OZ.BOTTLE
000	403734	GREASE,SILICONE 710
000	219188	GREASE,TUBE 5 GR
000	219235	KIT,TOOL REPAIR
000	093500	LOCTITE /10ML BLUE
000	219090	PNEU.OIL W/ANTIFROST
000	501049	RAFTER HANGER KIT
000	219086	CLEANER
000	501022	TIP,ADJ.W.C.E
000	219224	TRIG.VALVE-REPAIRKIT
000	219228	W.C.E. NO-MAR ASSY.
001	501043	SCREW
002	501752	DEFLECTOR AIR
003	501300	SCREW+WASHER
004	500249	O-RING
005	501017	CAP
006	500461	O-RING, INNER CAP
007	092042	O-RING OUTER CAP
008	500407	SPRING,MAIN VALVE
009	501001	GASKET,CAP
010	406041	RING,RETAINING
011	500455	PISTON,UPPER
012	401946	SEAL,MAIN VALVE
013	091208	O-RING
014	401950	O-RING
015	500456	PISTON,LOWER VALVE
016	500454	POST,MAIN VALVE
017	095432	O-RING 39,35-2,62
018	500453	CUSHION,BUMPER POST
019	402906	SCREW,BHC. 10-32x5/8"
020	092971	O-RING
021	501218	DRIVER BLADE
022	402011	SEAL,CYLINDER
023	501341	SLEEVE ASSBLY
024	092235	O-RING
025	501002	O-RING
026	500867	BUMPER KIT TYPE-II
027	501286	BODY ASSY.
028	500779	FLANGE,CYLINDER
029	501334	HOUSING LABEL,RIGHT
029	501333	TEARDROP LABEL,LEFT
030	501219	END CAP
031	500516	SCREW,BSHC5/16-24x7/8
032	404274	WASHER,FLAT #5/16"
033	500525	NUT,GRIPCO 5/16-24"
034	091622	REDUCTION PIPE
035	501010	TRIGGER
036	402669	PIN TRIGGER
037	501009	AXE RETENUE
038	501008	LEVER TRIGGER
039	402668	RING RETAINER
040	097748	RESSORT
041	097746	PIN VALVE TRIGGER
042	071297	ROLL PIN
043	092174	O-RING VALVE TRIGGER

044	401958	BODY VALVE TRIGGER
045	501039	TRIGGER,SEQ.ASSY
046	501052	NOSE
047	095417	WASHER LOCK
048	009016	SCREW
049	501006	SPRING,WCE
050	501363	W.C.E.,UPPER III
051	404800	WASHER,HARDENED 1/4"
052	500731	W.C.E.,LOWER
053	002187	WASHER LOCK 1/4-20"
054	500717	COVER,NAIL
055	500531	PUSHER ASSY.
057	501606	END CAP,LEFT MAG.
058	501607	END CAP,RIGHT MAG
059	500848	LATCH/FOLLOWER
060	501046	DRUM,PIN ASSY.
061	500513	SPRING,PUSHER ASSY.
062	501524	NAMEPLATE
063	404904	SCREW,SHC.1/4-28x5/8"
064	500509	BRACKET,FRONT
065	501028	SPRING
066	501026	SOCK.HEAD CAP SCREW
067	066840	SCREW,SHC.
068	404414	WASHER,FLAT #8
069	404325	LOCKNUT
070	500520	STRIP,WEAR MAGAZINE
074	500729	BLADE SEAL
075	501337	PISTON
076	091618	SCREW,SHC.1/4-20x1/2"
077	501299	SCREW
901	501519	PISTON ASSEM.TYPE II
902	500463	VALVE,MAIN ASSY.
904	501528	MAGAZINE ASSY