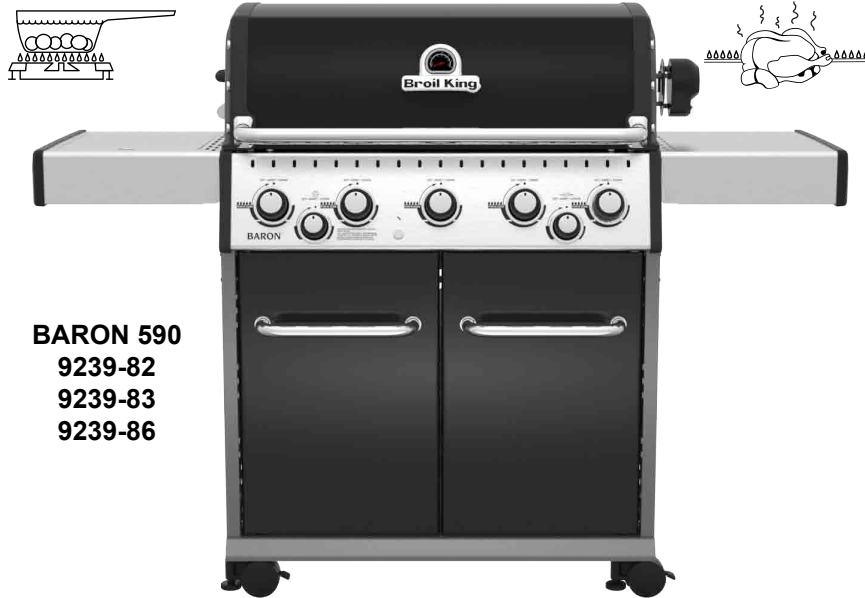


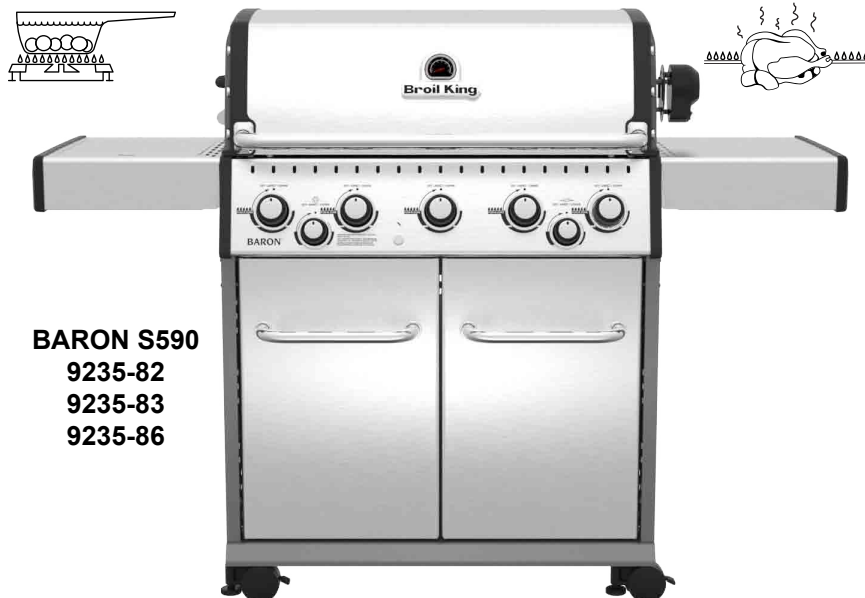
# Broil King®

---

---



**BARON 590**  
9239-82  
9239-83  
9239-86



**BARON S590**  
9235-82  
9235-83  
9235-86



POEJÖY OEÜÖÁP ÔŠWÖÖÁ



YËGÌ Í		øFÍ	YËGHFE		øI Á	ÜGFGÍ		øI
YËGJHEI		øI	ÜFGHÍ		øG	ÜFGHH		øG
YËGÌ Í		øI	YËFÍ Í F		øG	YËGFG		øG
ÜHÍ €J		øF	GEEÉÍ EEEÉ					øF
YËFÍ JH		øI	ÜHÍ €Í		øG	ÜGFÉ F		øG

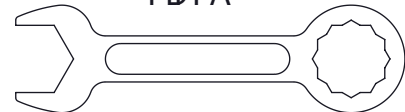
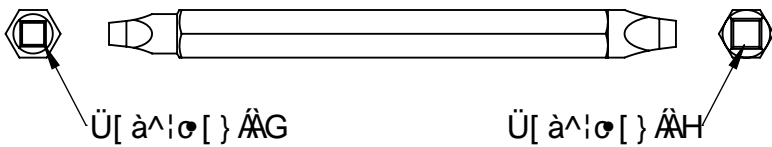


VUUŠÜÄÜÖÚWÖÜÖÁ

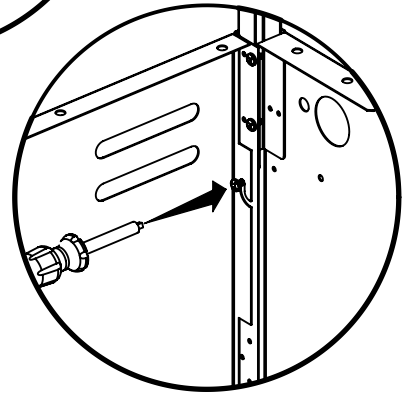
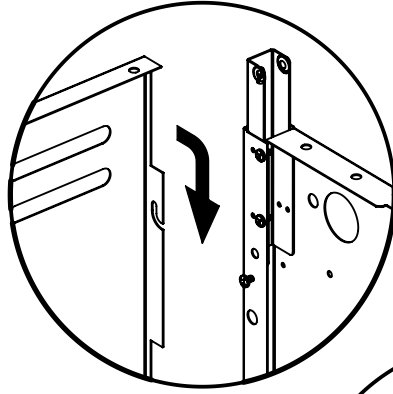
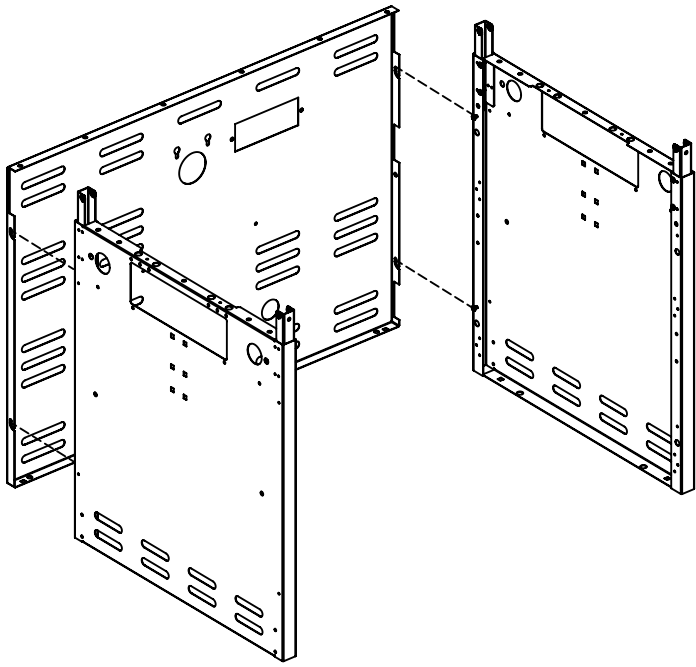


YËFGGH

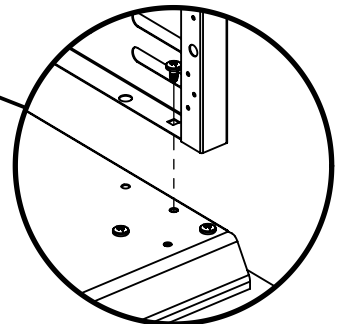
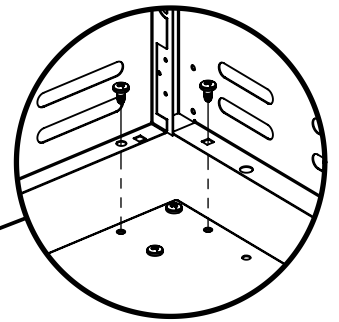
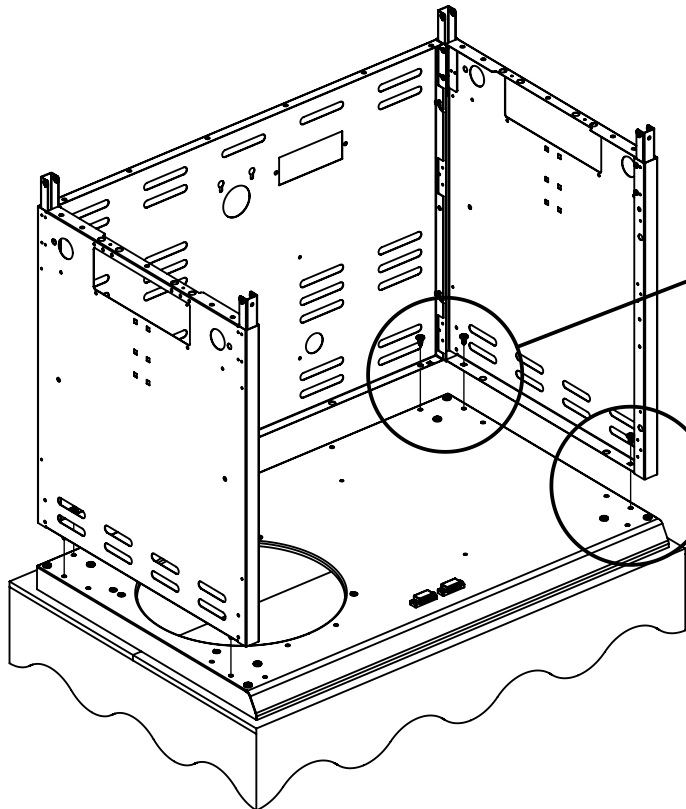
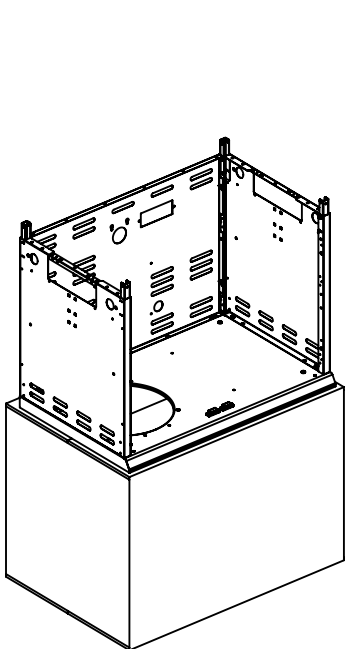
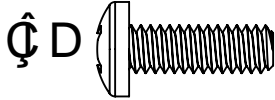
Ï ÞÍ Ä

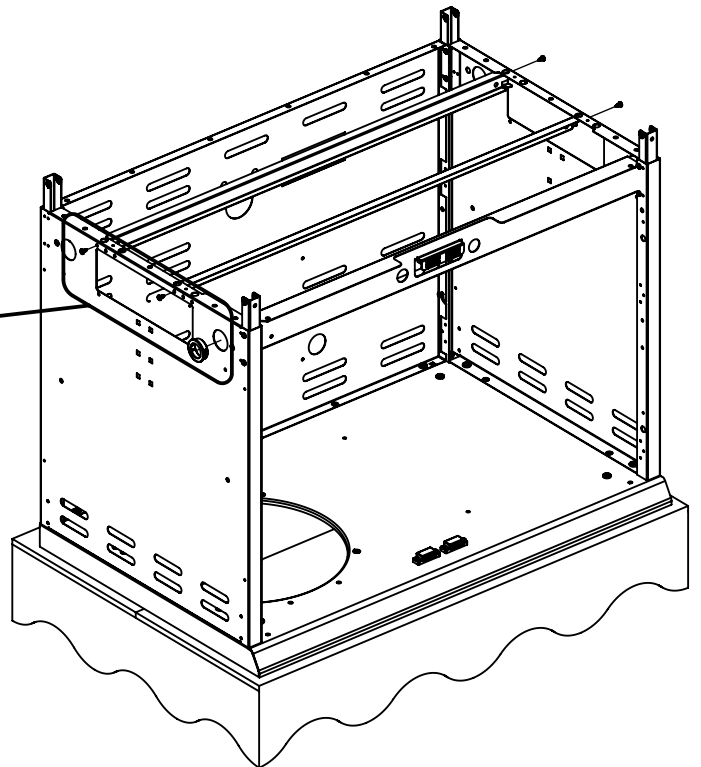
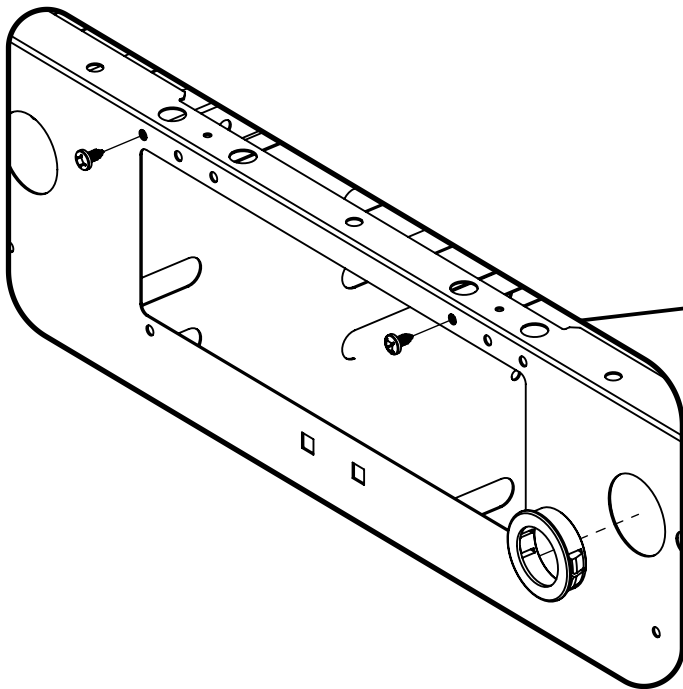
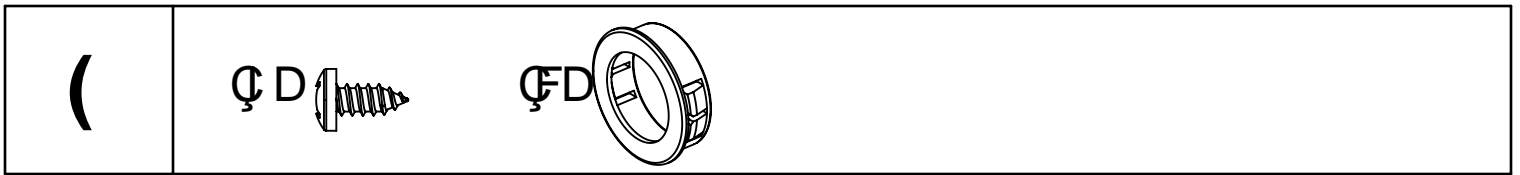
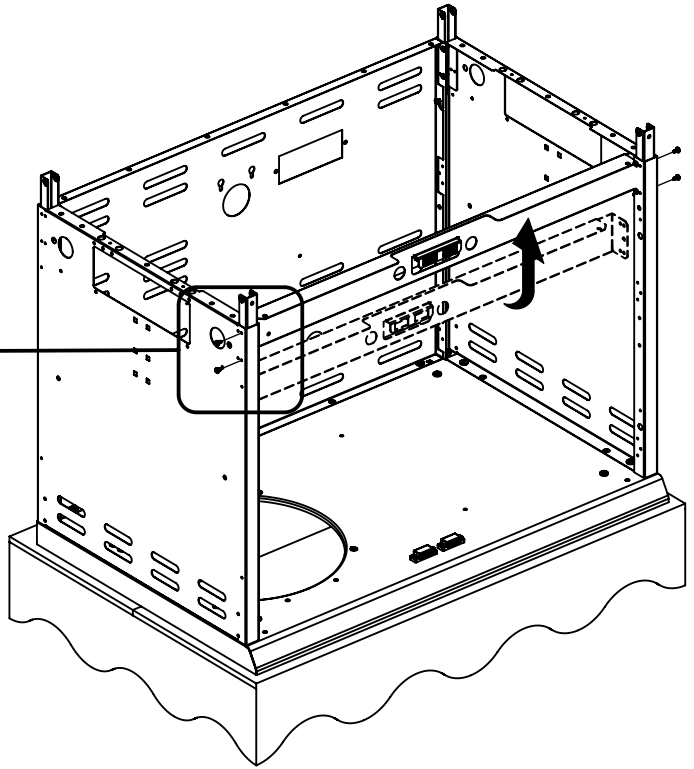
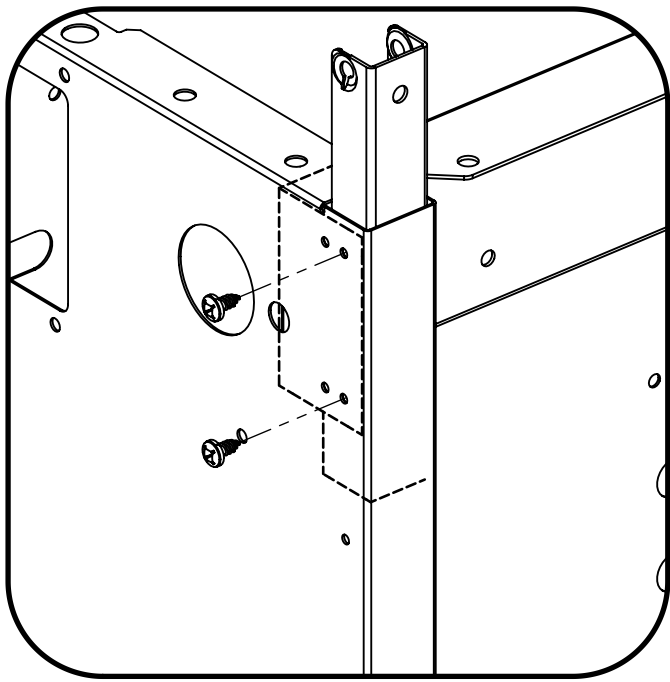
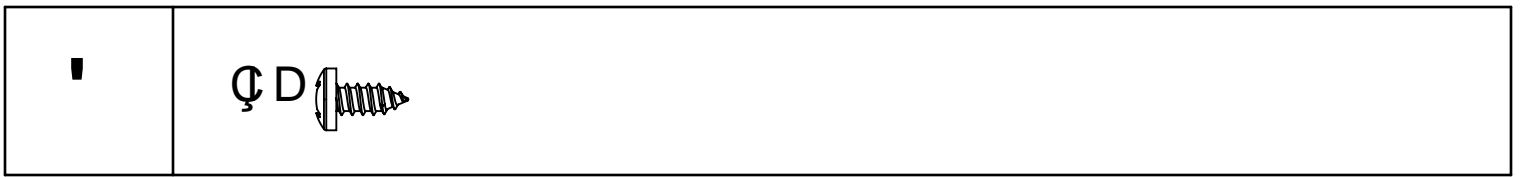


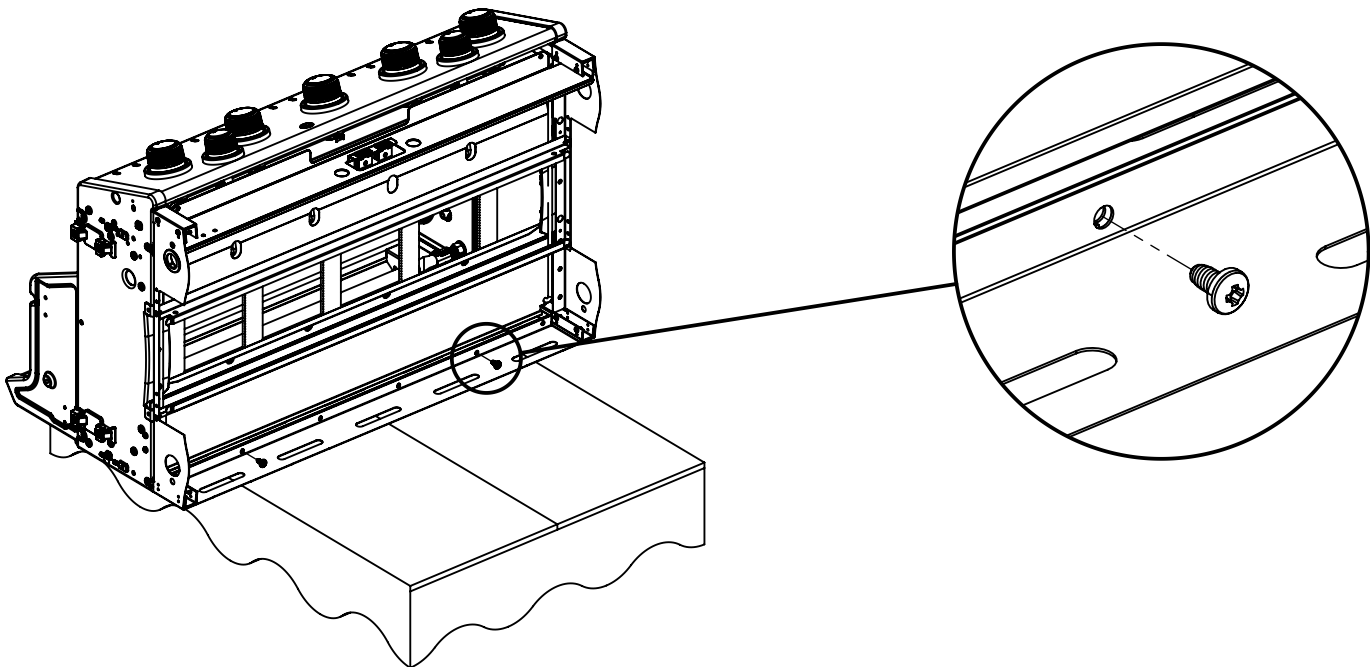
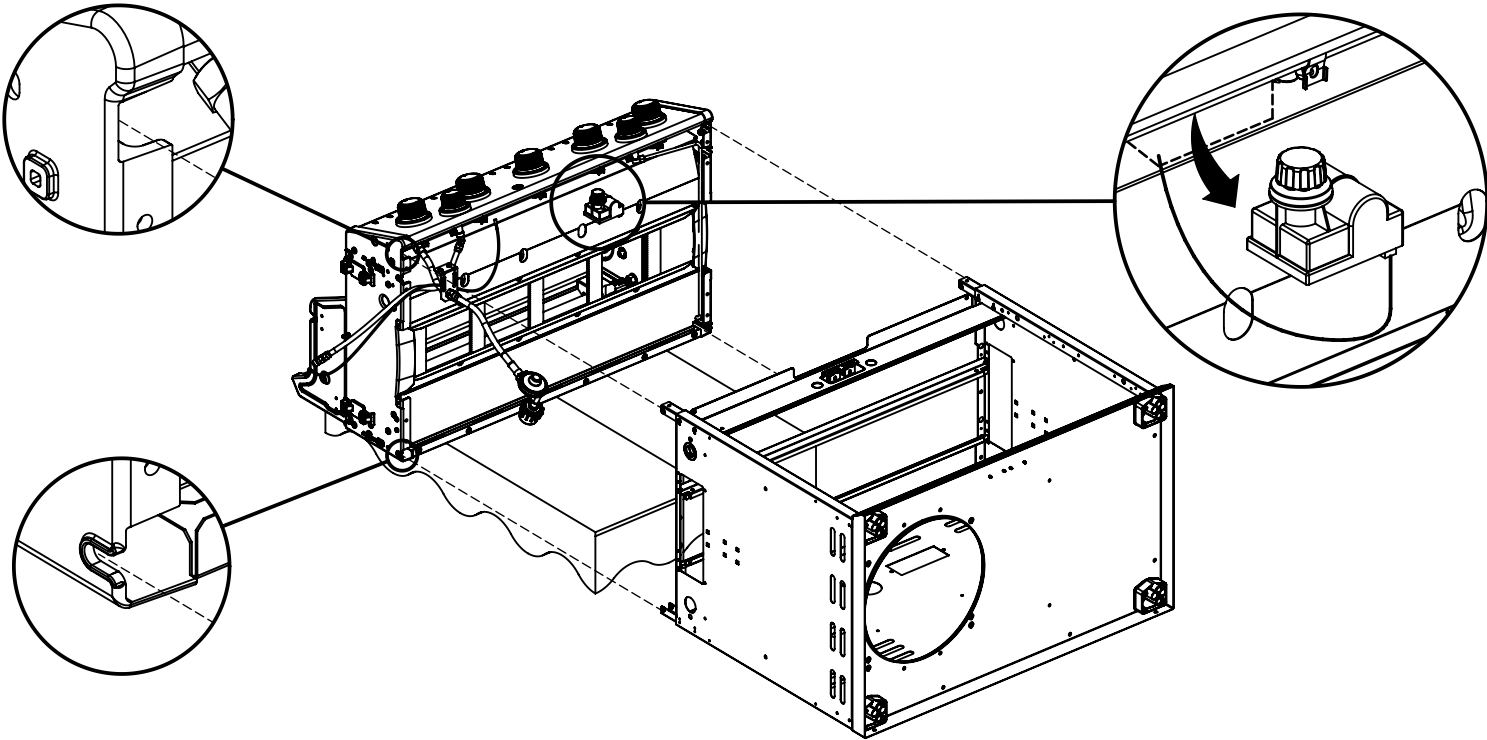
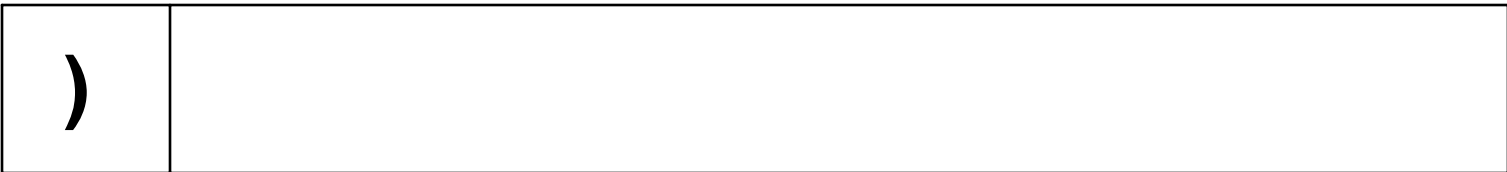
%



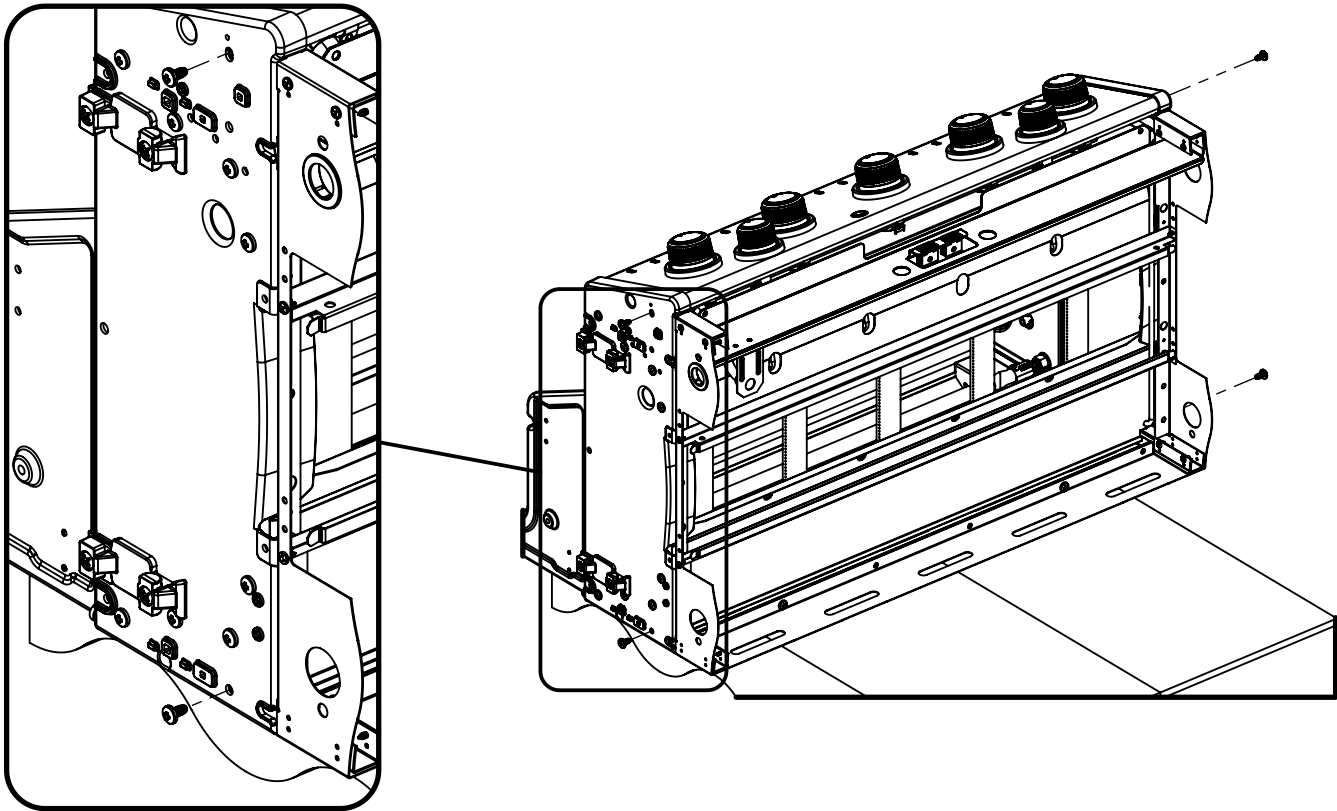
&



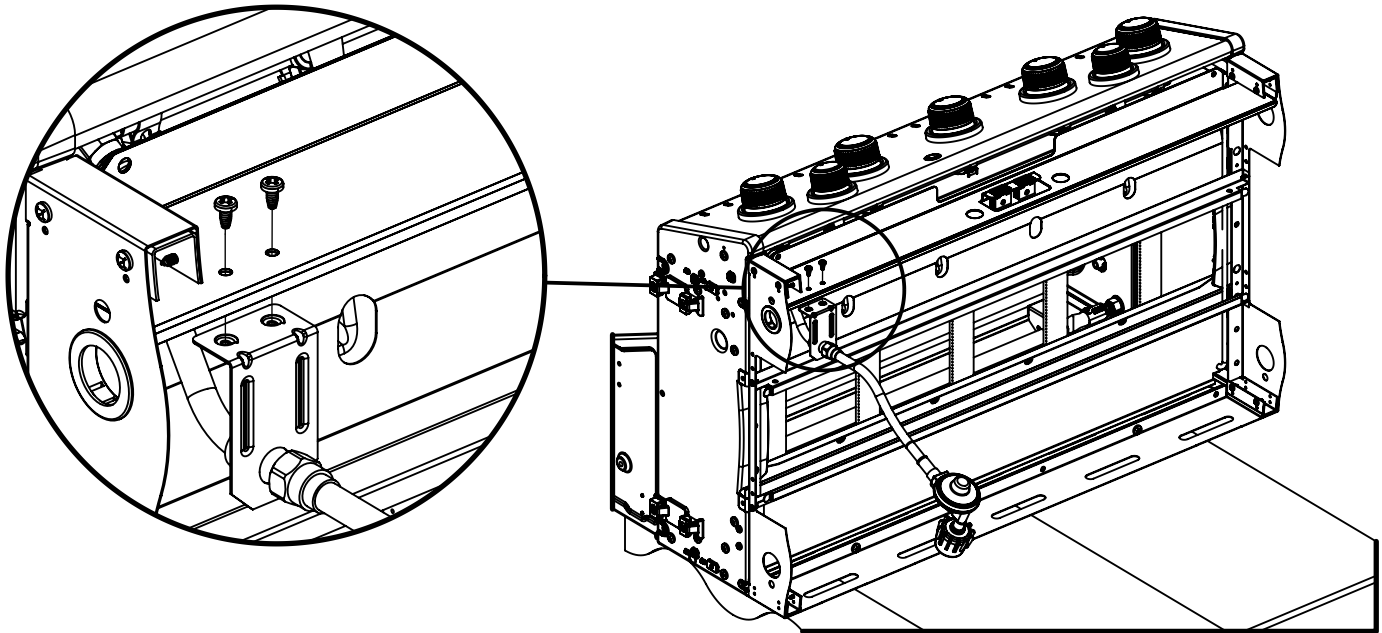


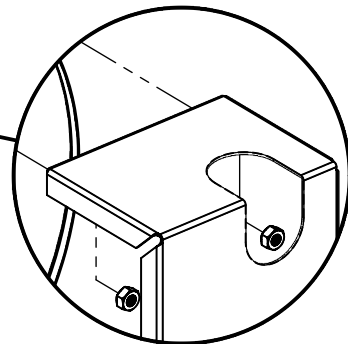
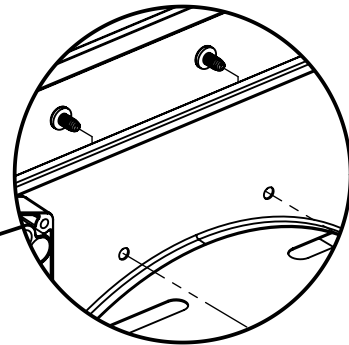
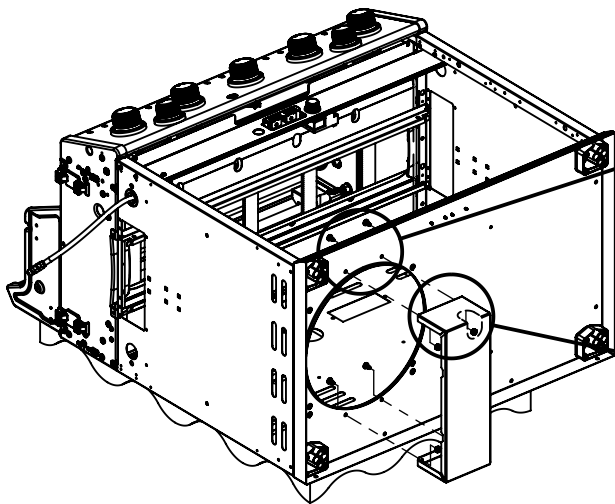
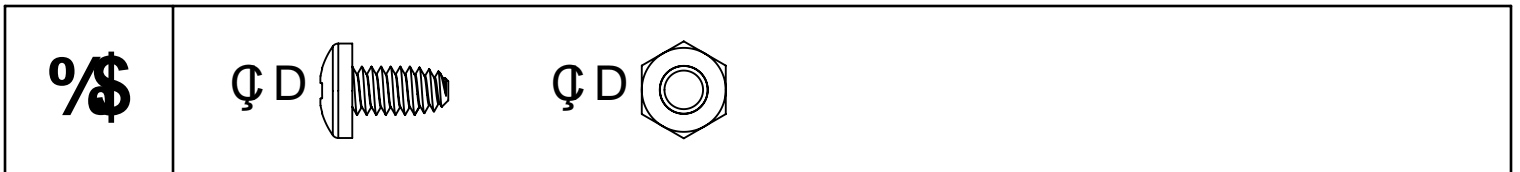
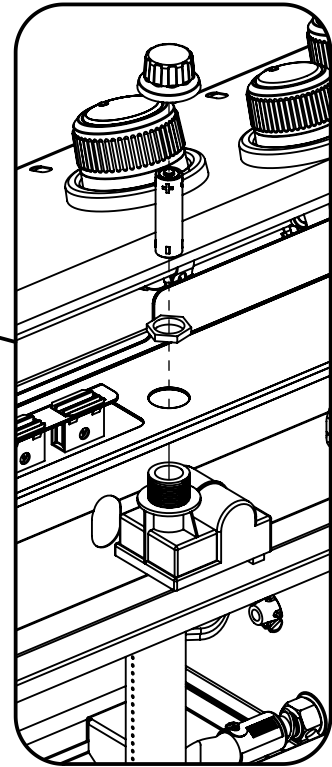
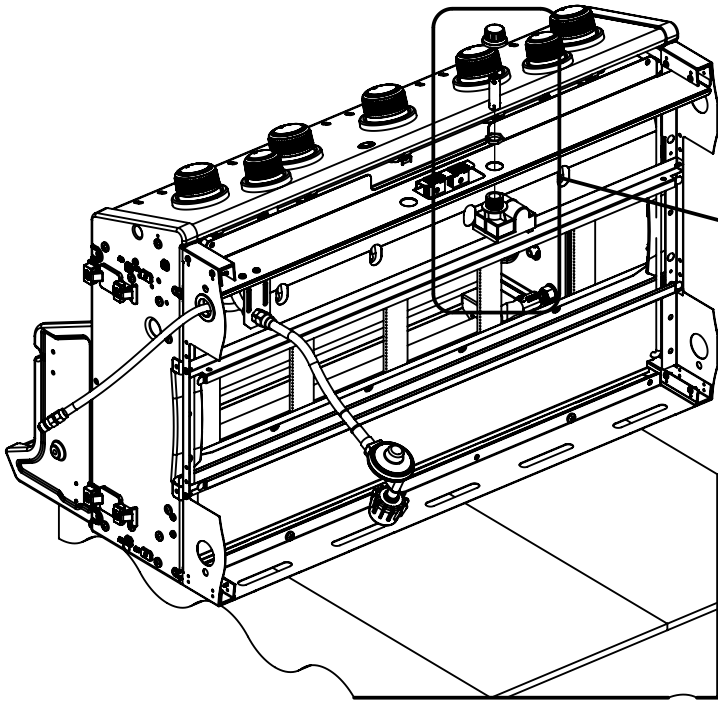
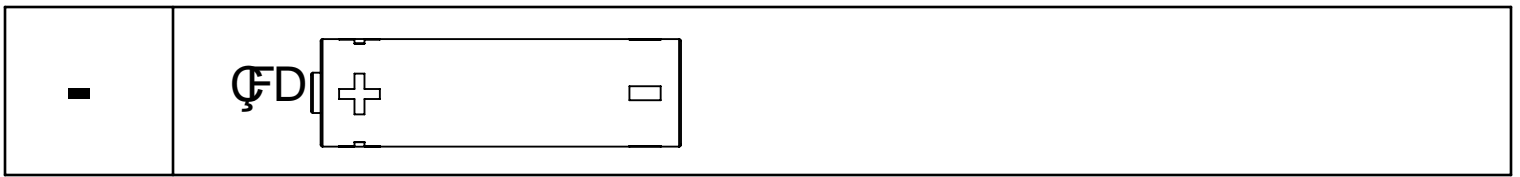


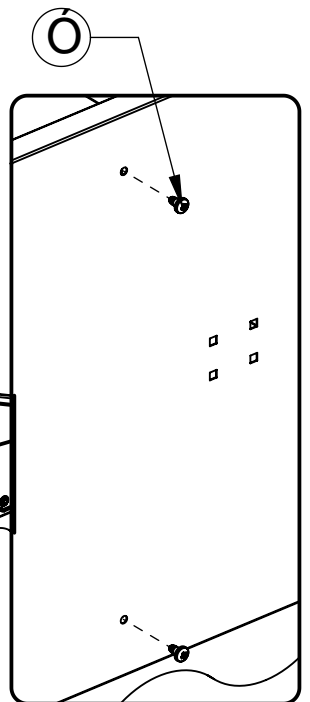
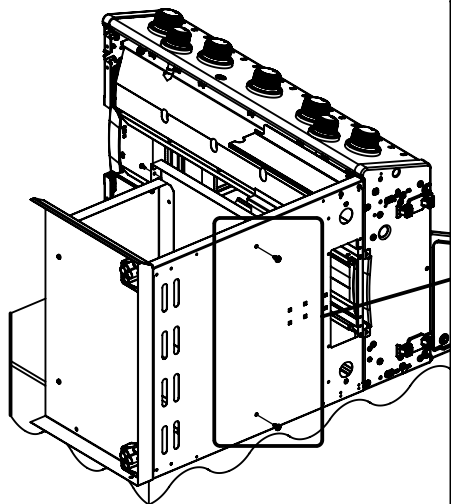
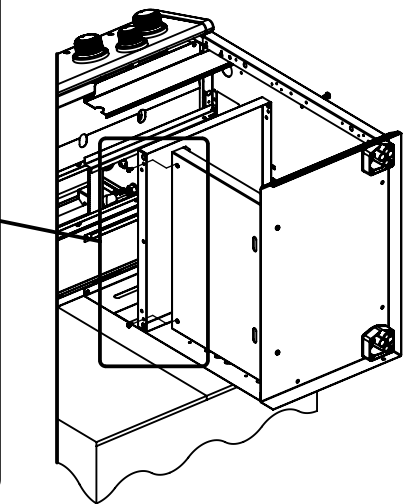
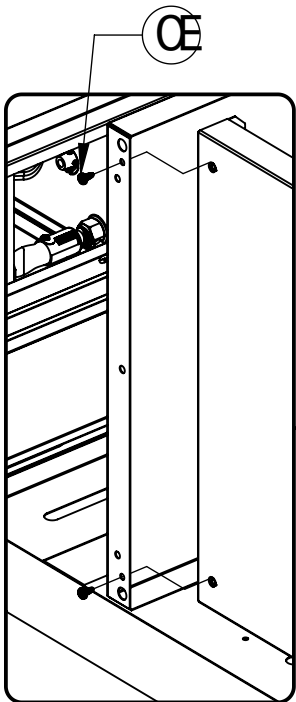
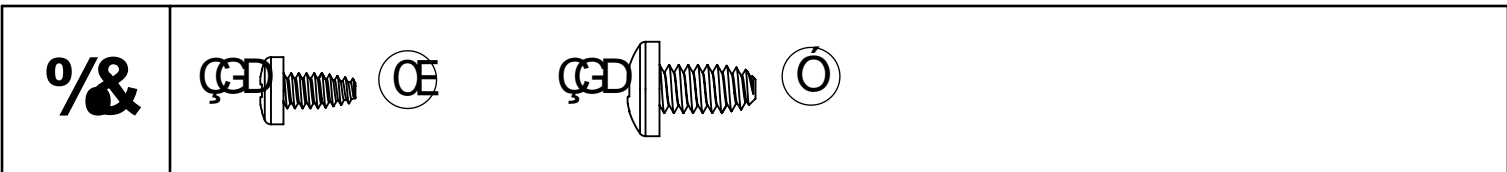
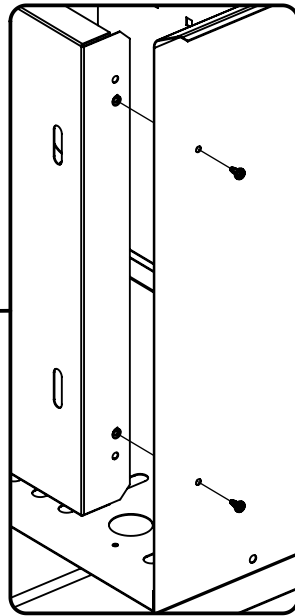
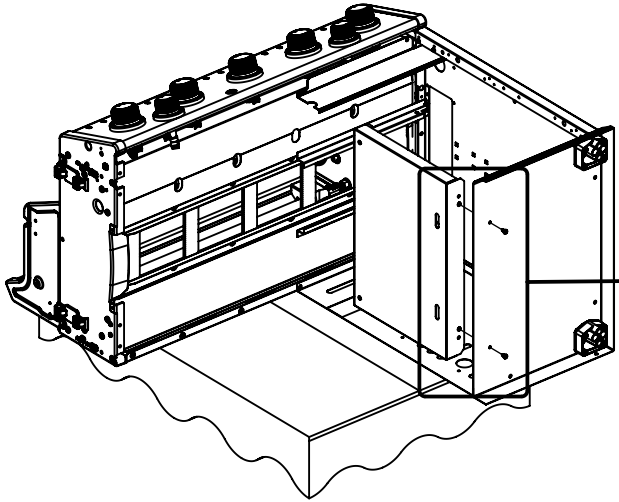
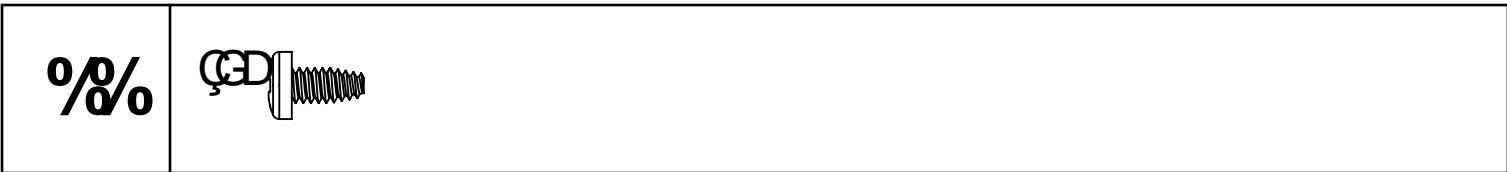
+	Ç D 
---	--



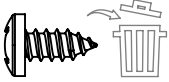
,	Ç D 
---	---

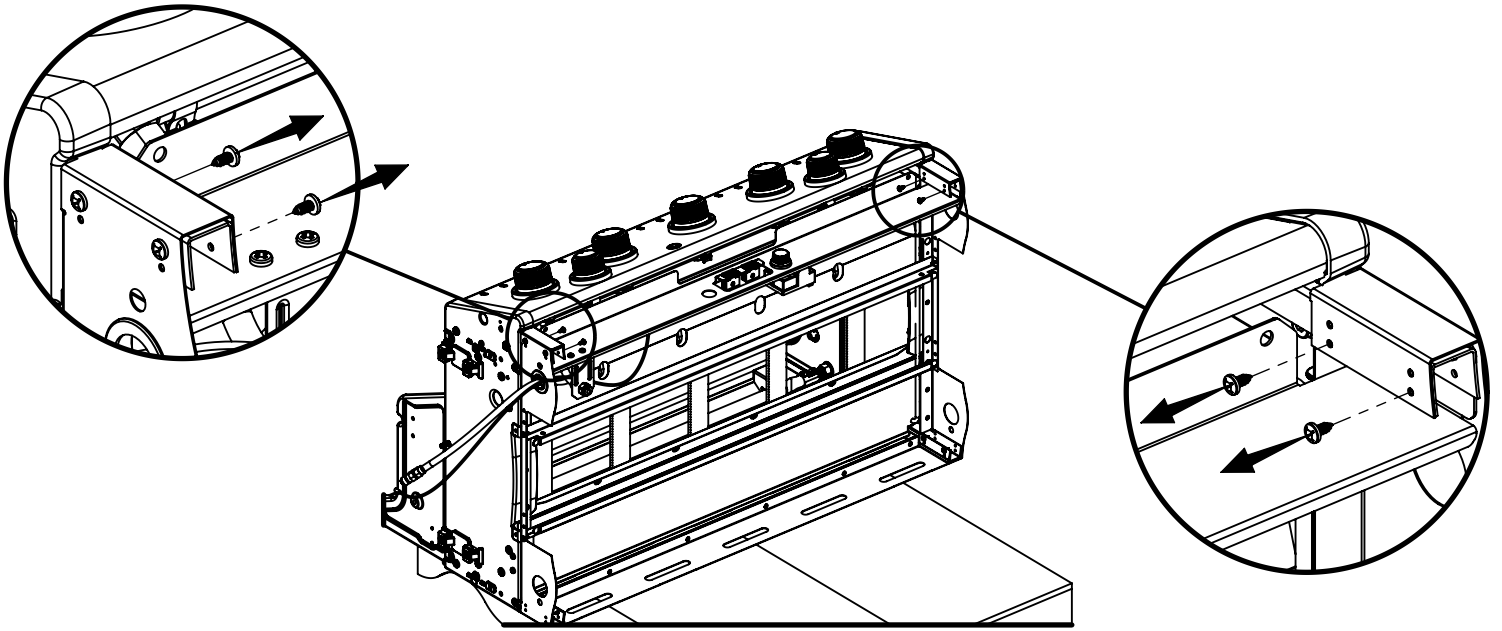


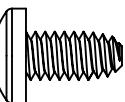
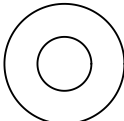


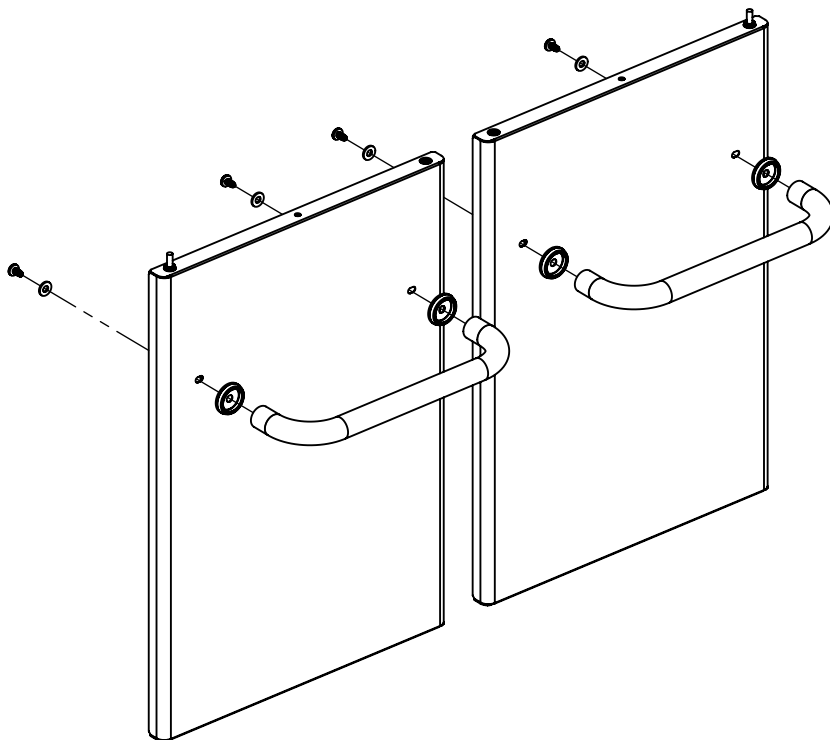


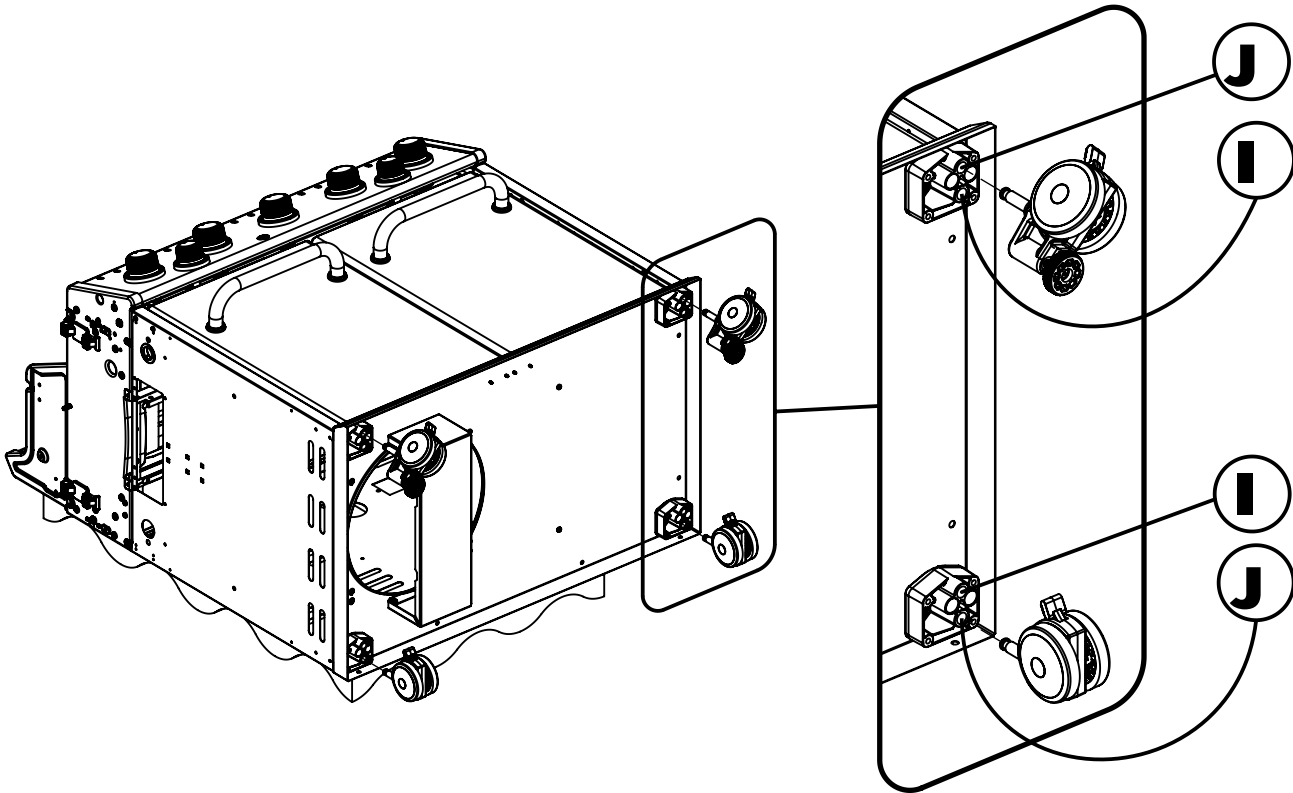
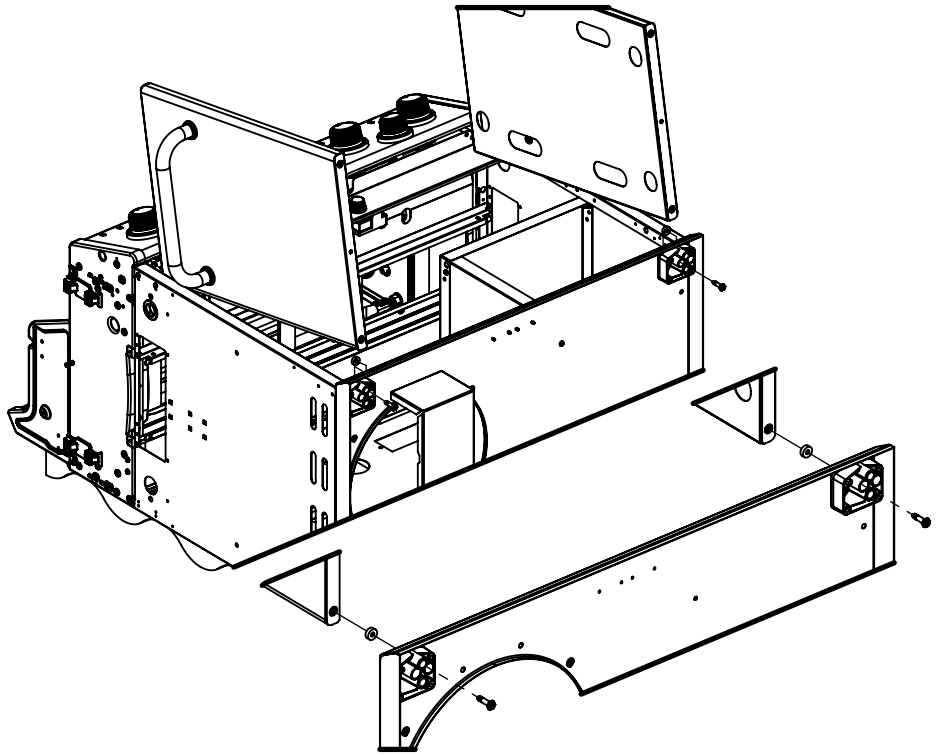
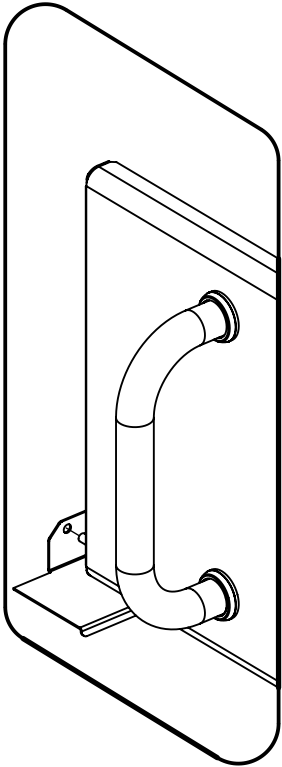
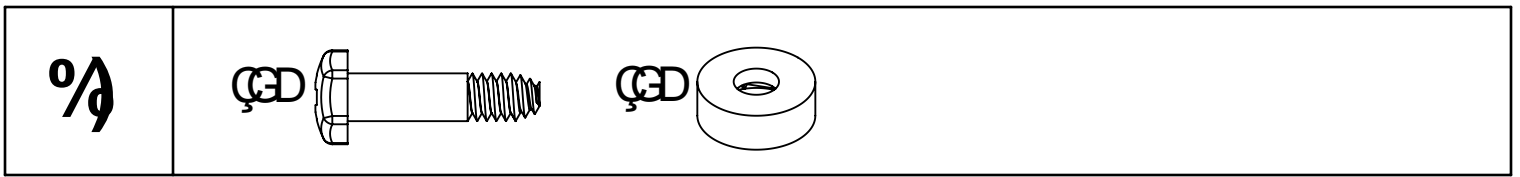


%	$\varnothing D$ 
---	---

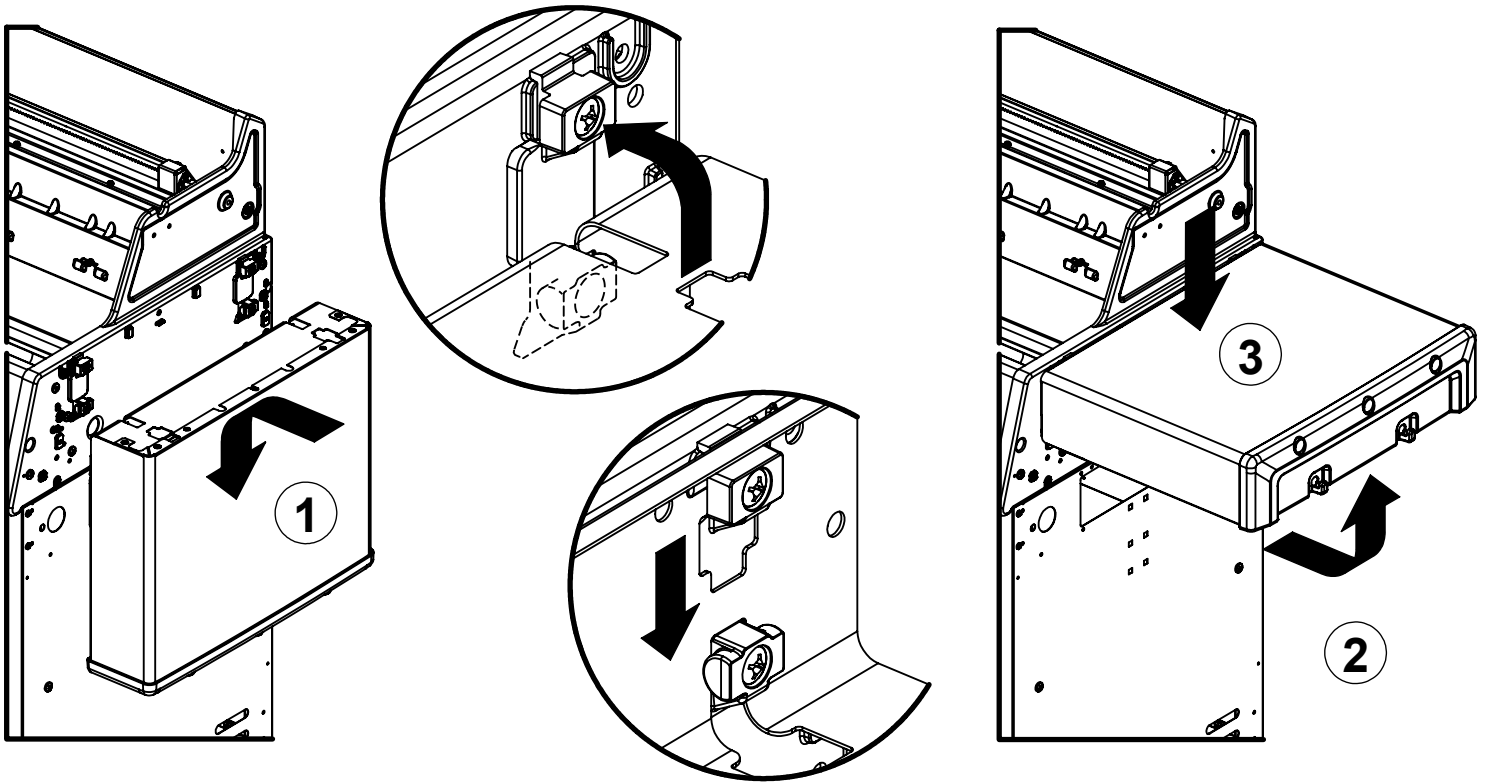


%	$\varnothing D$ 	$\varnothing D$ 
---	---	---

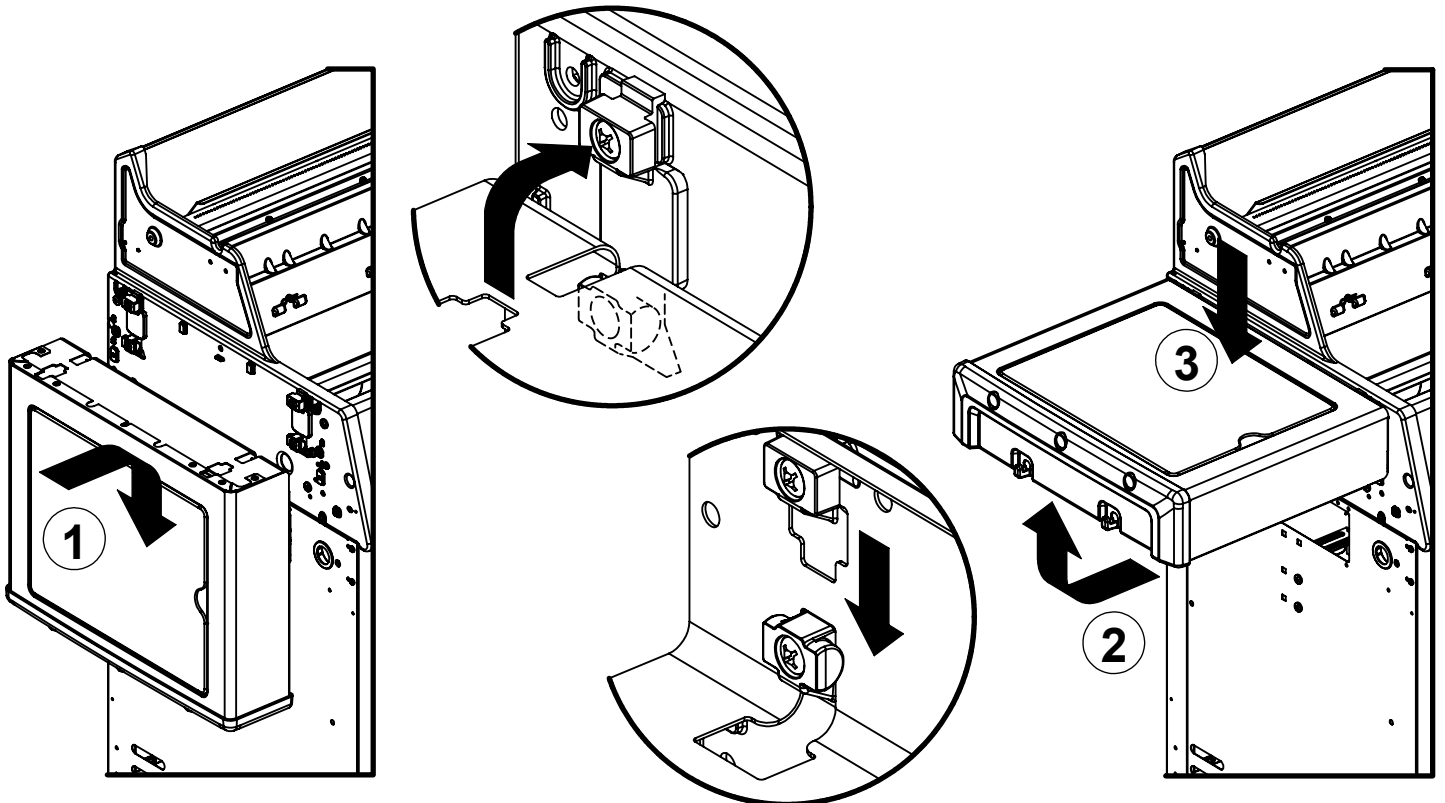


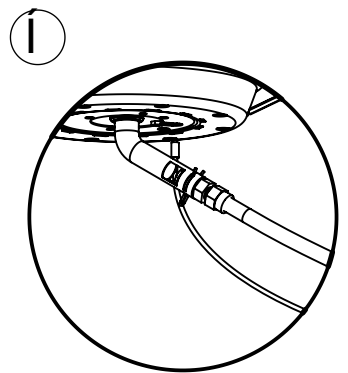
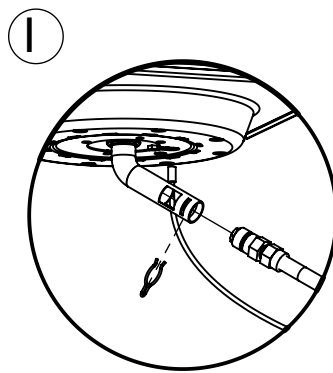
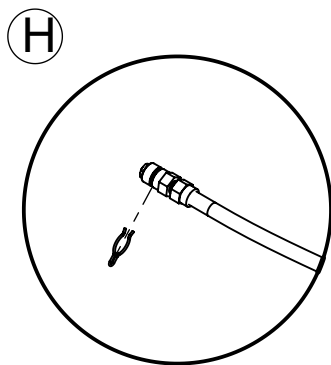
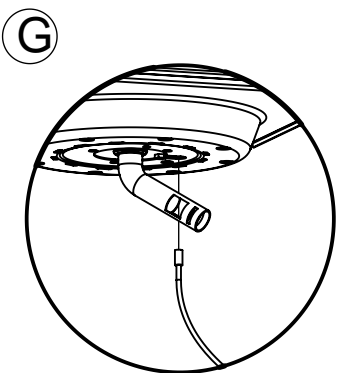
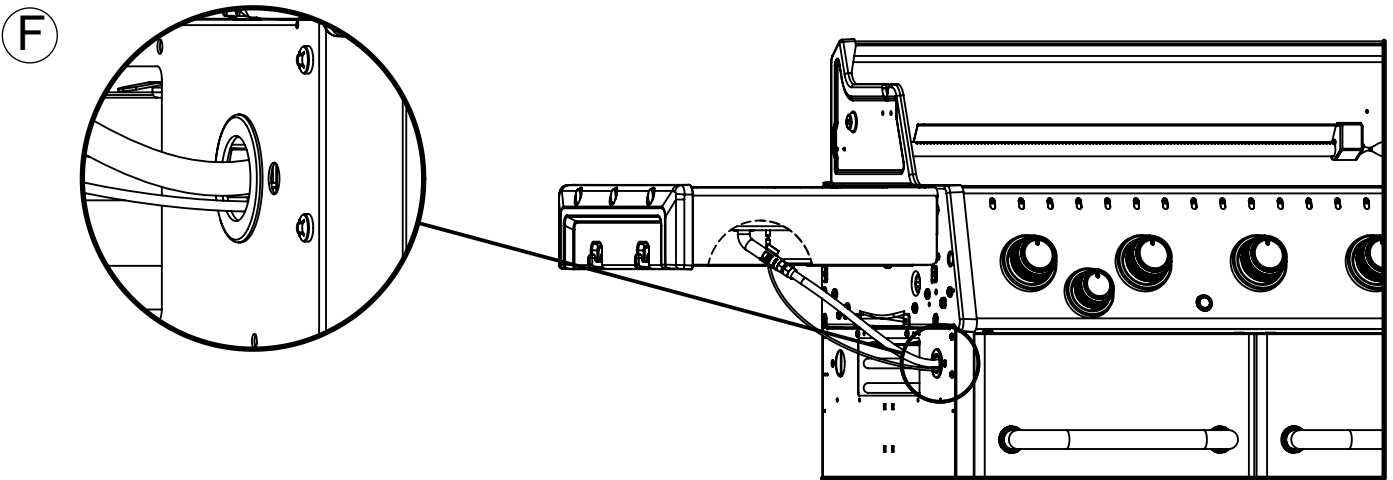
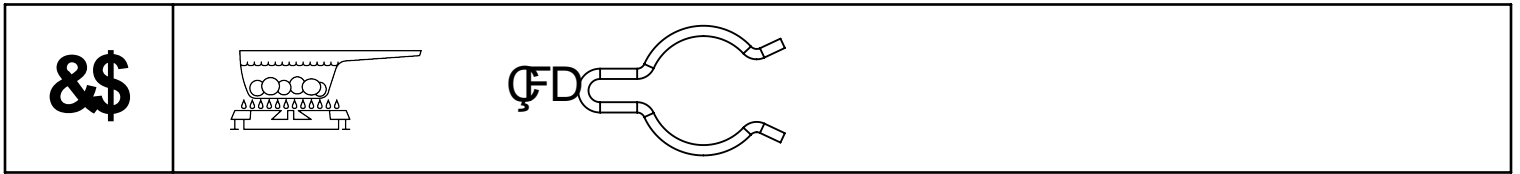
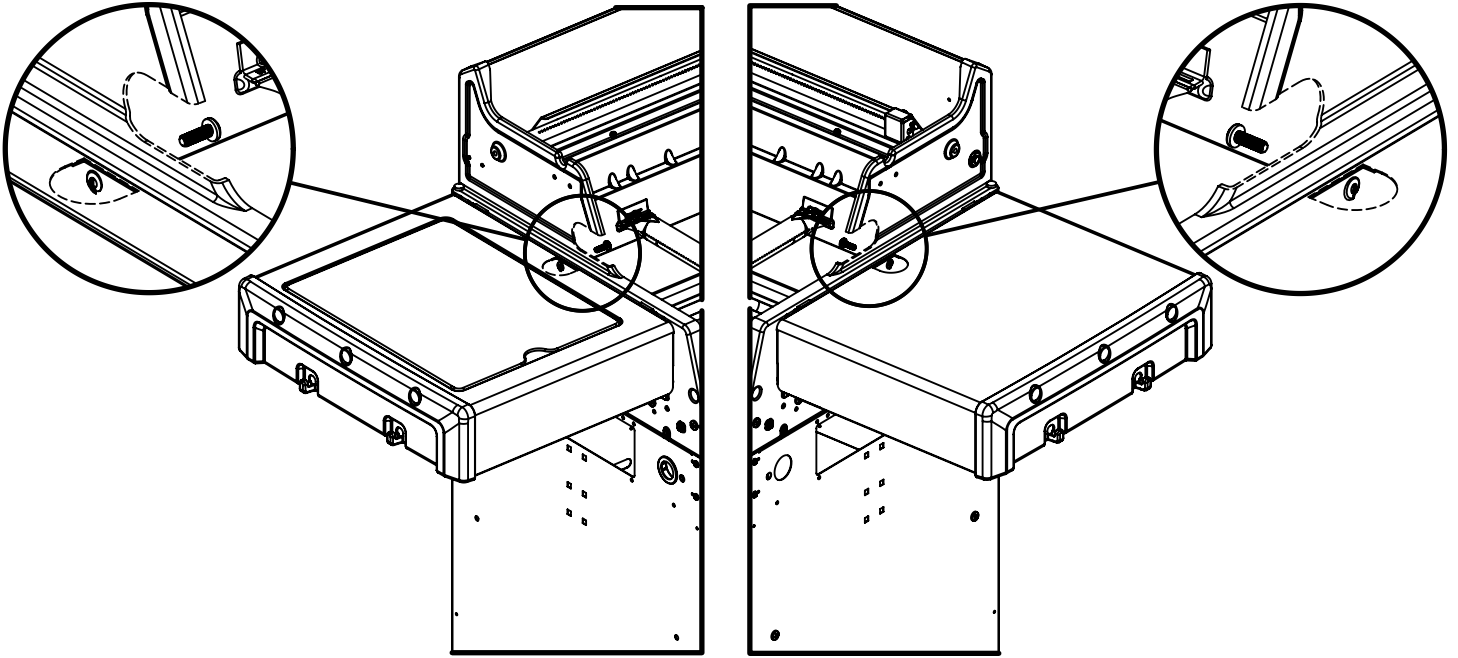
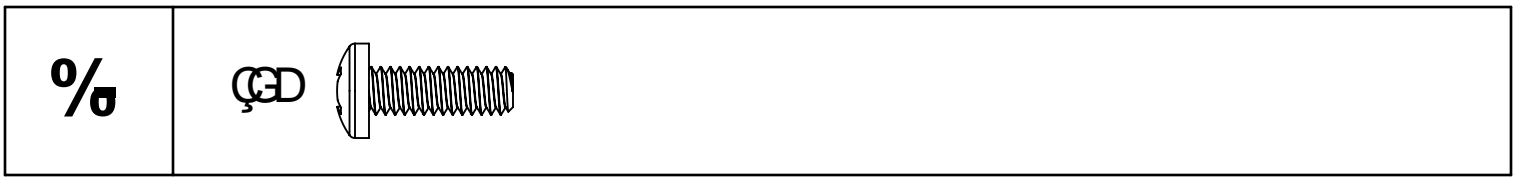


17

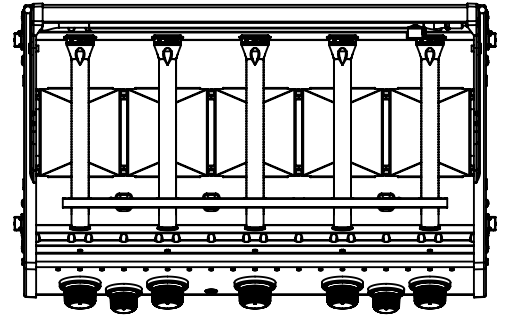
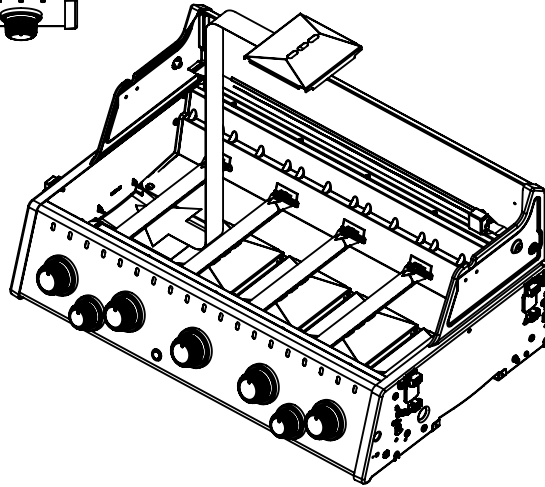
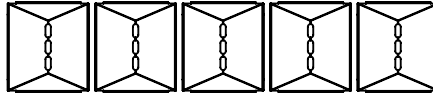
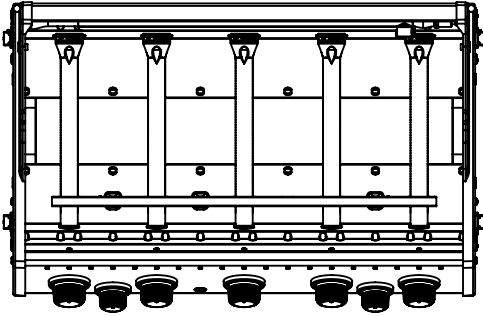


18

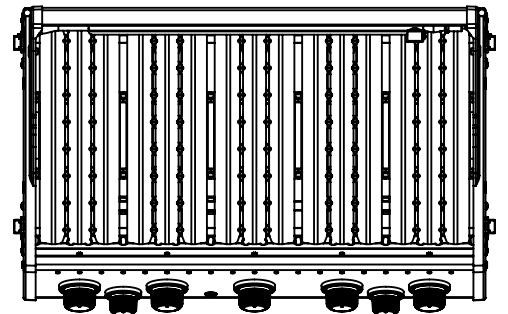
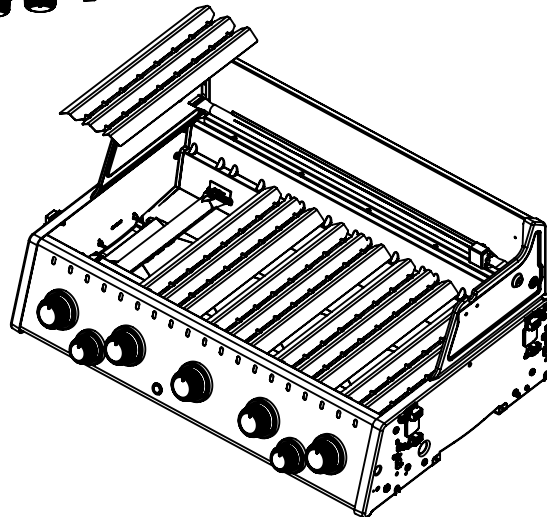
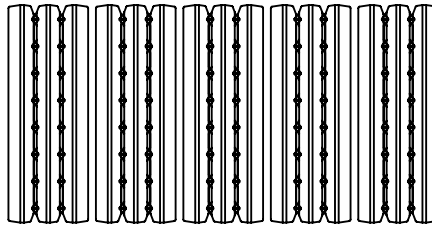
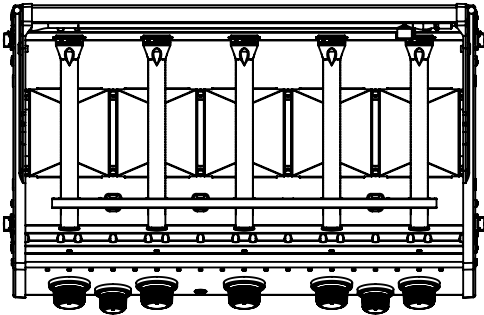




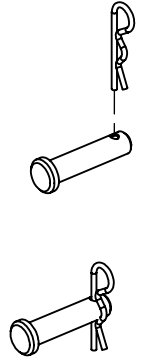
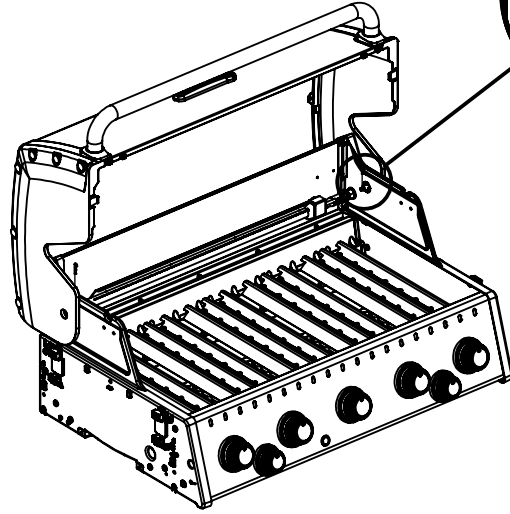
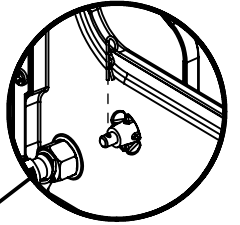
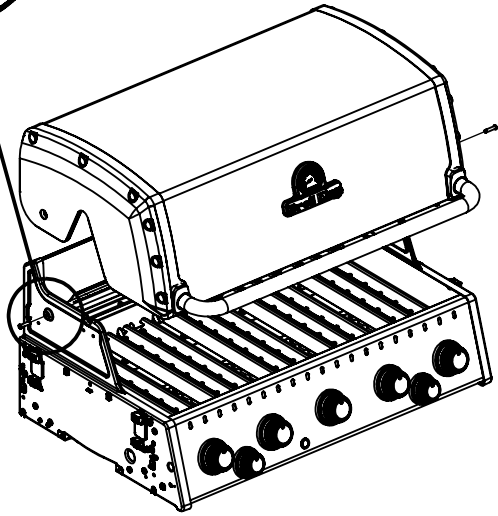
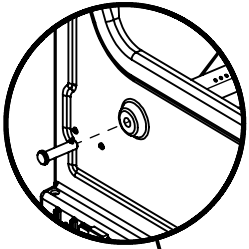
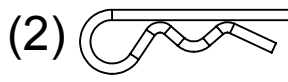
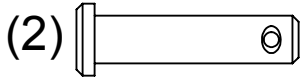
&%



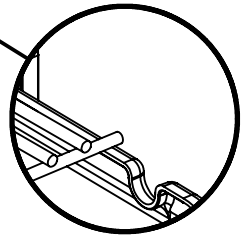
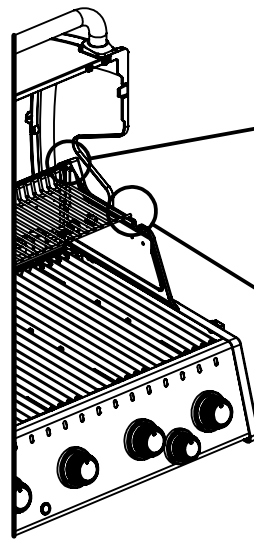
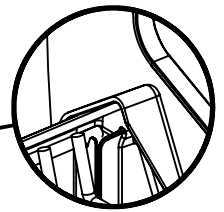
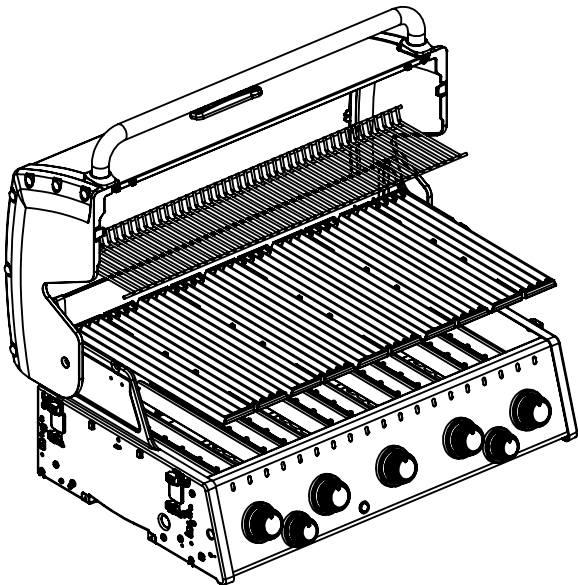
&&

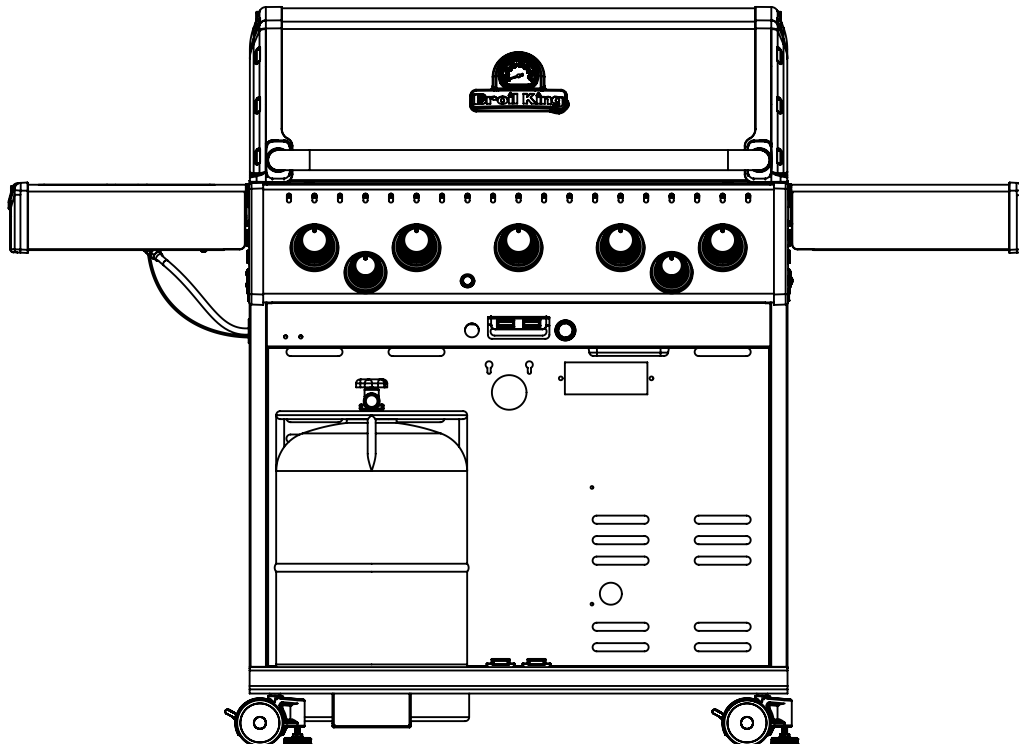
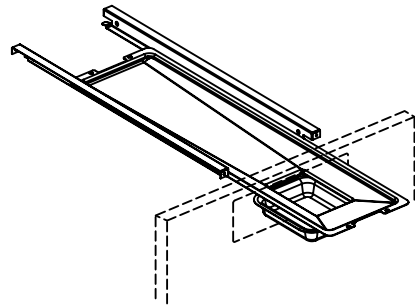
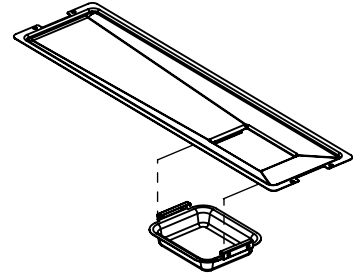
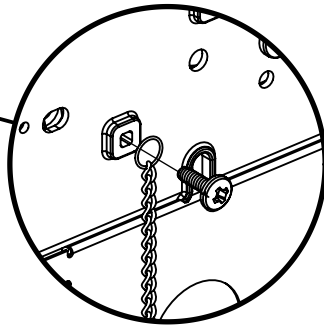
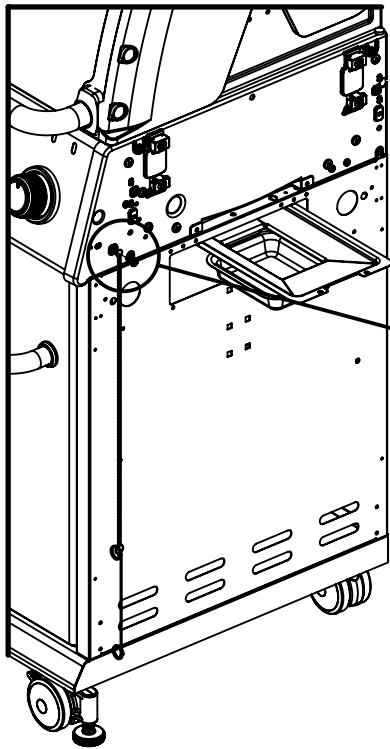
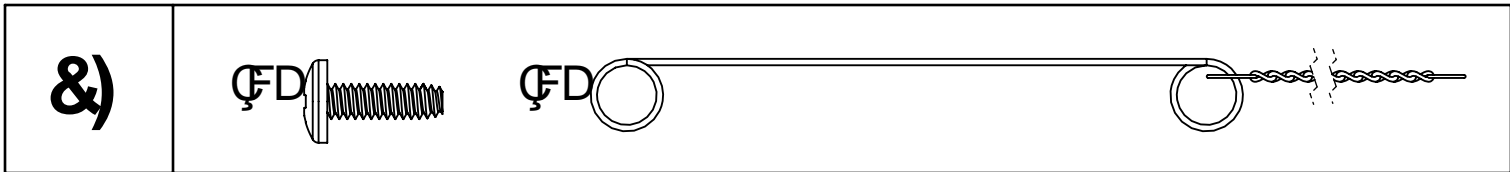


23

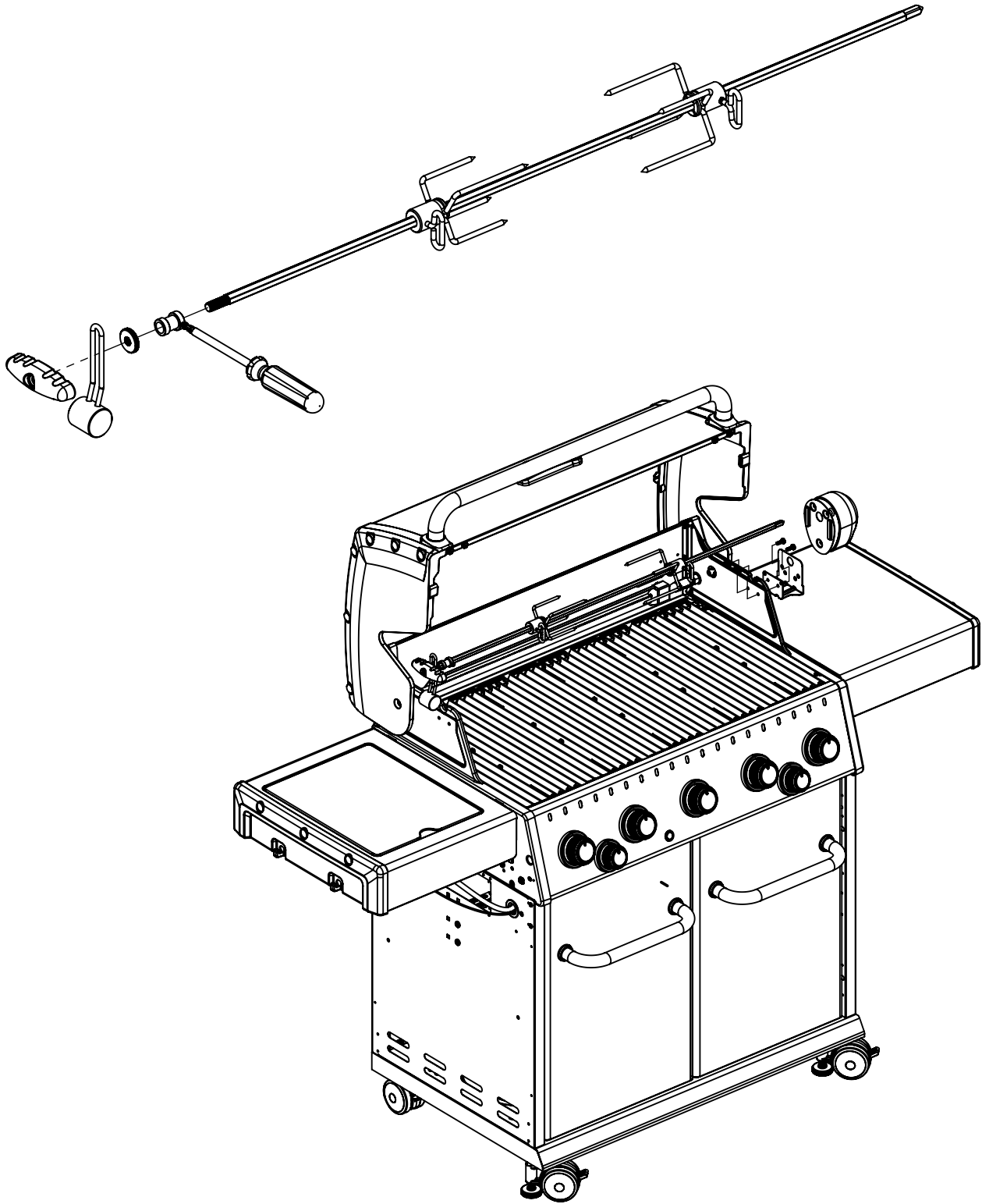
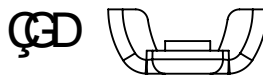
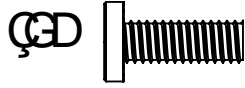


24





&+





KEY #	ITEM #	DESCRIPTION	9239-82	9239-83	9239-83NZ	9239-86	9235-82	9235-83	9235-86	9239-83NZ	9239-86	9235-82	9235-83	9235-86
1	66006-304	LID	*	*	*	*	1	1	1	1	1	1	1	1
5	66006-301	NAMEPLATE	1	1	1	1	*	*	*	2	2	2	2	2
6	10081-BK630	HEAT INDICATOR	1	1	1	1	1	1	1	1	1	1	1	1
7	10571-6	HANDLE	1	1	1	1	1	1	1	1	1	1	1	1
8	24006-12A	HANDLE BEZEL	2	2	2	2	2	2	2	2	2	2	2	2
10	54009-936	FIREBOX	1	1	1	1	1	1	1	1	1	1	1	1
13	52106-074	SHELF BRACKET	4	4	4	4	4	4	4	4	4	4	4	4
15	53139-988	COLLECTOR BOX	1	1	1	1	1	1	1	1	1	1	1	1
17	22226-014A	GREASE SHEILD	5	5	5	5	5	5	5	5	5	5	5	5
25	52909-104D	BURNER - MAIN	5	5	5	5	5	5	5	5	5	5	5	5
	52909-104E		*	*	*	*	*	*	*	*	*	*	*	*
28	52026-304BAR	CONTROL COVER	1	1	1	1	1	1	1	1	1	1	1	1
29	59006-072	CONTROL ASSEMBLY	1	1	1	1	*	*	*	10	10	10	10	10
	59006-075		*	*	*	*	*	*	*	*	*	*	*	*
	59006-076		*	*	*	*	*	*	*	*	*	*	*	*
	59006-074		*	*	*	*	*	*	*	*	*	*	*	*
30	S13473-073	HOSE - SIDE BURNER	1	1	1	1	*	*	*	110	110	110	110	110
	S13473-079		*	*	*	*	*	*	*	*	*	*	*	*
32	10111-15A	HOSE	1	1	1	1	*	*	*	111	111	111	111	111
33	27906-354	BURNER - ROTISSERIE	1	1	1	1	1	1	1	112	112	112	112	112
34	S15508A	ELECTRODE	1	1	1	1	1	1	1	113	113	113	113	113
35	50809-957	MANIFOLD - REAR BURNER	1	1	1	1	1	1	1	114	114	114	114	114
36	Y-11980	NUT HEX	1	1	1	1	1	1	1	115	115	115	115	115
38	22002-264	CONTROL BEZEL	5	5	5	5	5	5	5	116	116	116	116	116
39	22001-164	CONTROL BEZEL	2	2	2	2	2	2	2	125	125	125	125	125
40	22001-768	CONTROL KNOB	5	5	5	5	5	5	5	127	127	127	127	127
41	22001-668	CONTROL KNOB	2	2	2	2	2	2	2	128	128	128	128	128
42a	10342-45	ELECTRONIC IGNITOR	1	1	1	1	1	1	1	130	130	130	130	130
42c	25070-92	IGNITION BUTTON	1	1	1	1	1	1	1	131	131	131	131	131
43a	10342-E13	ELECTRODE	2	2	2	2	2	2	2	134	134	134	134	134
43b	10342-E22	ELECTRODE	1	1	1	1	1	1	1	135	135	135	135	135
44	52209-404	FLAV-R-WAVE®	5	5	5	5	5	5	5	140	140	140	140	140
45a	52005-281	GRID	5	5	5	5	5	5	5	141	141	141	141	141
46	52006-991	GRID - WARMING RACK	1	1	1	1	1	1	1	151	151	151	151	151
47	27056-901	GREASE TRAY	1	1	1	1	1	1	1	154	154	154	154	154
48	52009-901	GREASE PAN	1	1	1	1	1	1	1	160	160	160	160	160
49	21036-991	GREASE TRAY - RAIL	2	2	2	2	2	2	2	169	169	169	169	169
50	51276-234A	DOOR - LEFT HAND	*	*	*	*	*	*	*	170	170	170	170	170
	51276-231A		1	1	1	1	1	1	1	171	171	171	171	171
51	51276-214A	DOOR - RIGHT HAND	*	*	*	*	*	*	*	173	173	173	173	173
	51276-211A		1	1	1	1	1	1	1	175	175	175	175	175
57	21106-13	DOOR HANDLE	2	2	2	2	2	2	2	176	176	176	176	176
58	21070-13	HANDLE BEZEL	4	4	4	4	4	4	4	177	177	177	177	177
60	21109-905	CABINET - SIDE PANEL	2	2	2	2	2	2	2	178	178	178	178	178
61	21306-925	CABINET - REAR PANEL	1	1	1	1	1	1	1	180	180	180	180	180
65	51616-235	CABINET - LOWER BASE	1	1	1	1	1	1	1	181	181	181	181	181
66	21039-301	TANK BRACKET	1	1	1	1	1	1	1	182	182	182	182	182
67	51336-211	MAGNET BRACKET	1	1	1	1	1	1	1	186	186	186	186	186
68	57139-13	CONNECTION BRACKET	4	4	4	4	4	4	4	187	187	187	187	187
73	51639-908	CASTER BRACKET	4	4	4	4	4	4	4	5	5	5	5	5

