

Approval body for construction products
and types of construction

Bautechnisches Prüfamt

An institution established by the Federal and
Laender Governments



European Technical Assessment

ETA-16/0535
of 20 February 2019

English translation prepared by DIBt - Original version in German language

General Part

Technical Assessment Body issuing the
European Technical Assessment:

Deutsches Institut für Bautechnik

Trade name of the construction product

haubold staples d = 1,53 - 1,80 - 2,00 mm fasteners for
timber constructions for long term or permanent load
duration withdrawal capacity

Product family
to which the construction product belongs

Dowel-type fasteners with resin coating

Manufacturer

ITW Befestigungssysteme GmbH
Carl-Zeiss-Straße 19
30966 Hemmingen
DEUTSCHLAND

Manufacturing plant

Herstellwerk 2, Herstellwerk 8, Herstellwerk 11

This European Technical Assessment
contains

11 pages including 3 annexes which form an integral part
of this assessment

This European Technical Assessment is
issued in accordance with Regulation (EU)
No 305/2011, on the basis of

EAD 130019-00-0603

This version replaces

ETA-16/0535 issued on 2 August 2017

The European Technical Assessment is issued by the Technical Assessment Body in its official language. Translations of this European Technical Assessment in other languages shall fully correspond to the original issued document and shall be identified as such.

Communication of this European Technical Assessment, including transmission by electronic means, shall be in full. However, partial reproduction may only be made with the written consent of the issuing Technical Assessment Body. Any partial reproduction shall be identified as such.

This European Technical Assessment may be withdrawn by the issuing Technical Assessment Body, in particular pursuant to information by the Commission in accordance with Article 25(3) of Regulation (EU) No 305/2011.

Specific part

1 Technical description of the product

haubold staples $d = 1,53 - 1,80 - 2,00$ mm are dowel type fasteners made of non-alloy steel rods according to EN ISO 16120 or made of stainless steel drawn from austenitic steel rods in accordance with EN 10088-1 for timber constructions. The staples have a special resin coating with a minimum length of 50 % of the legs.

The diameters of the staple legs of type KG700, SZ16, BK2500 are $d = 1,53 \text{ mm} \pm 0,03 \text{ mm}$, of type HD7900 $d = 1,80 \text{ mm} \pm 0,03 \text{ mm}$ and of type BS29000, SD91000 $d = 2,00 \text{ mm} \pm 0,03 \text{ mm}$. Further dimensions are shown in Annex 1.

2 Specification of the intended use in accordance with the applicable European Assessment Document

The performances given in Section 3 are only valid if the haubold staples $d = 1,53 - 1,80 - 2,00$ mm are used in compliance with the specifications and conditions given in Annex 2.

The verifications and assessment methods on which this European Technical Assessment is based lead to the assumption of a working life of the haubold staples $d = 1,53 - 1,80 - 2,00$ mm of at least 50 years. The indications given on the working life cannot be interpreted as a guarantee given by the producer, but are to be regarded only as a means for choosing the right products in relation to the expected economically reasonable working life of the works.

3 Performance of the product and references to the methods used for its assessment

3.1 Mechanical resistance and stability (BWR 1)

Essential characteristic	Performance
Dimensions	See Annex 1
Characteristic yield moment	See Annex 3
Withdrawal capacity for short-term and medium-term loads	See Annex 3
Withdrawal capacity for long term and permanent loads	See Annex 3
Characteristic head pull-through parameter	See Annex 3
Minimum tensile strength of the wire	See Annex 3
Minimum and maximum thickness of the connected material	See Annex 3
Durability against corrosion	See Annex 2
Durability of the resin coating	See Annex 2

3.2 Safety in case of fire (BWR 2)

Essential characteristic	Performance
Reaction to fire	Euroclass A1

English translation prepared by DIBt

3.3 Safety and accessibility in use (BWR 4)

The essential characteristics of BWR 4 have been covered by BWR 1.

4 Assessment and verification of constancy of performance (AVCP) system applied, with reference to its legal base

In accordance with EAD No.130019-00-0603, the applicable European legal act is: [1997/176/EC(EU)].

The system to be applied is: 3

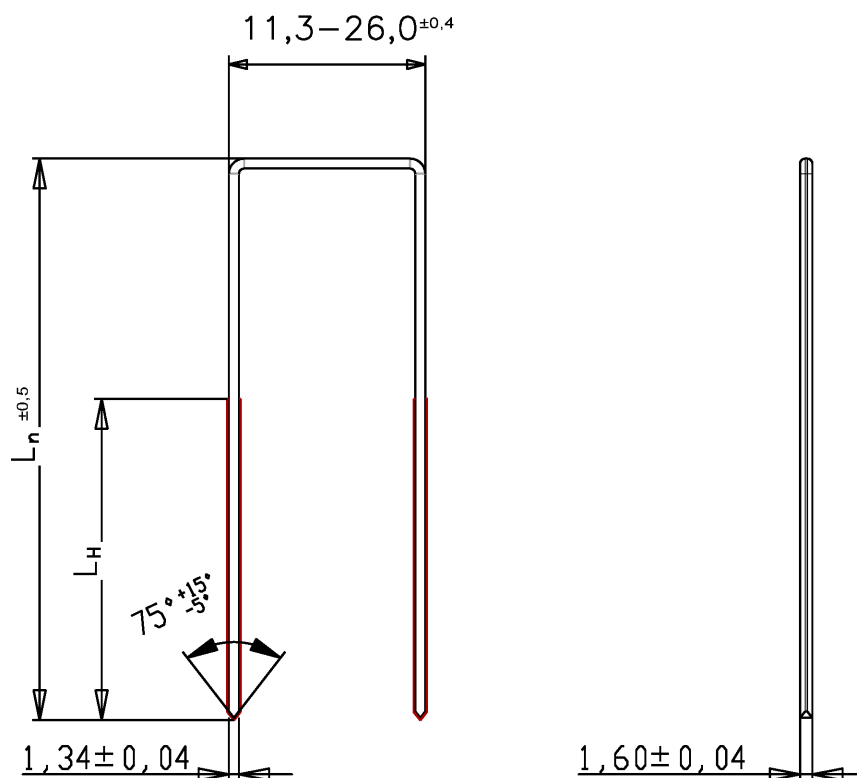
5 Technical details necessary for the implementation of the AVCP system, as provided for in the applicable EAD

Technical details necessary for the implementation of the AVCP system are laid down in the control plan deposited with Deutsches Institut für Bautechnik.

Issued in Berlin on 20 February 2019 by Deutsches Institut für Bautechnik

BD Dipl.-Ing. Andreas Kummerow
Head of Department

beglaubigt:
Baumann



Staple raw wire:
 $\varnothing 1,53 \pm 0,03 \text{ mm}$
 Tensile strength $\geq 900 \text{ N/mm}^2$
 round stainless steel wire
 WNr. 1.4301 / 1.4401 / 1.4529
 or galvanised round wire
 with zinc thickness $\geq 86 \text{ g/m}^2$

Resin coating $L_H = \text{min. } 0,5 L_n ; \geq 20 \text{ mm}$
 Leg length $L_n = 25,0 - 100,0 \text{ mm}$

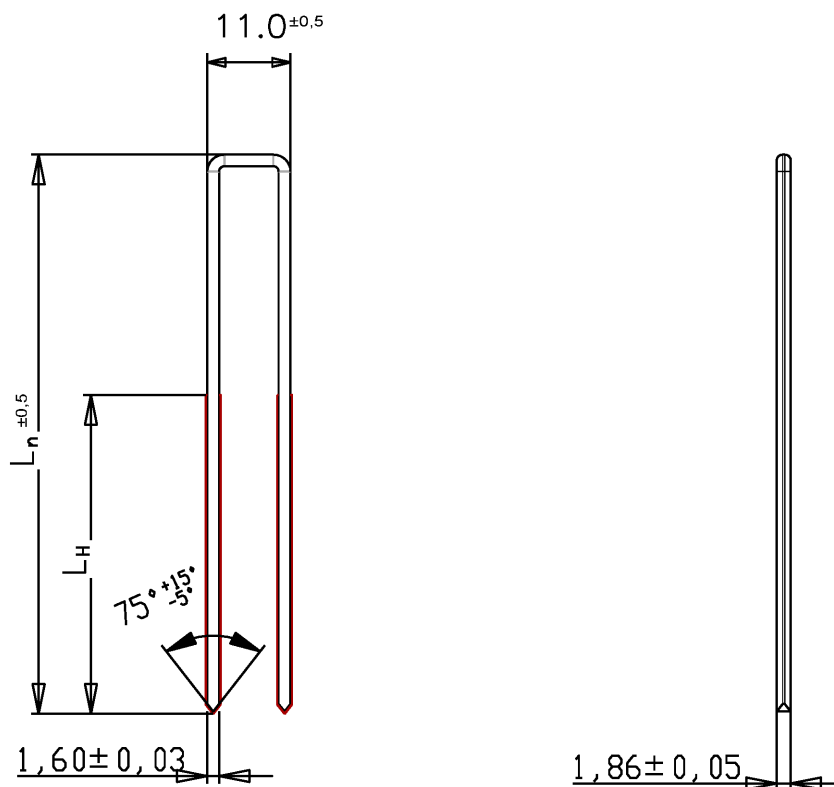
Combined glue/resin:
 ITW Harz Nr. 1, 2, 3 or 4

haubold staples $d = 1,53 - 1,80 - 2,00 \text{ mm}$ fasteners for timber constructions for long term or permanent load duration withdrawal capacity

Technical description of the product

haubold staples type KG700, SZ16, BK2500 $d=1,53 \text{ mm}$ – galvanised or stainless steel

Annex 1.1



Staple raw wire:
 $\varnothing 1,80 \pm 0,03 \text{ mm}$
 Tensile strength $\geq 900 \text{ N/mm}^2$
 round stainless steel wire
 WNr. 1.4301 / 1.4401 / 1.4529
 or galvanised round wire
 with zinc thickness $\geq 86 \text{ g/m}^2$

Resin coating $L_H = \text{min. } 0,5 L_n ; \geq 22 \text{ mm}$
 Leg length $L_n = 30,0 - 115,0 \text{ mm}$

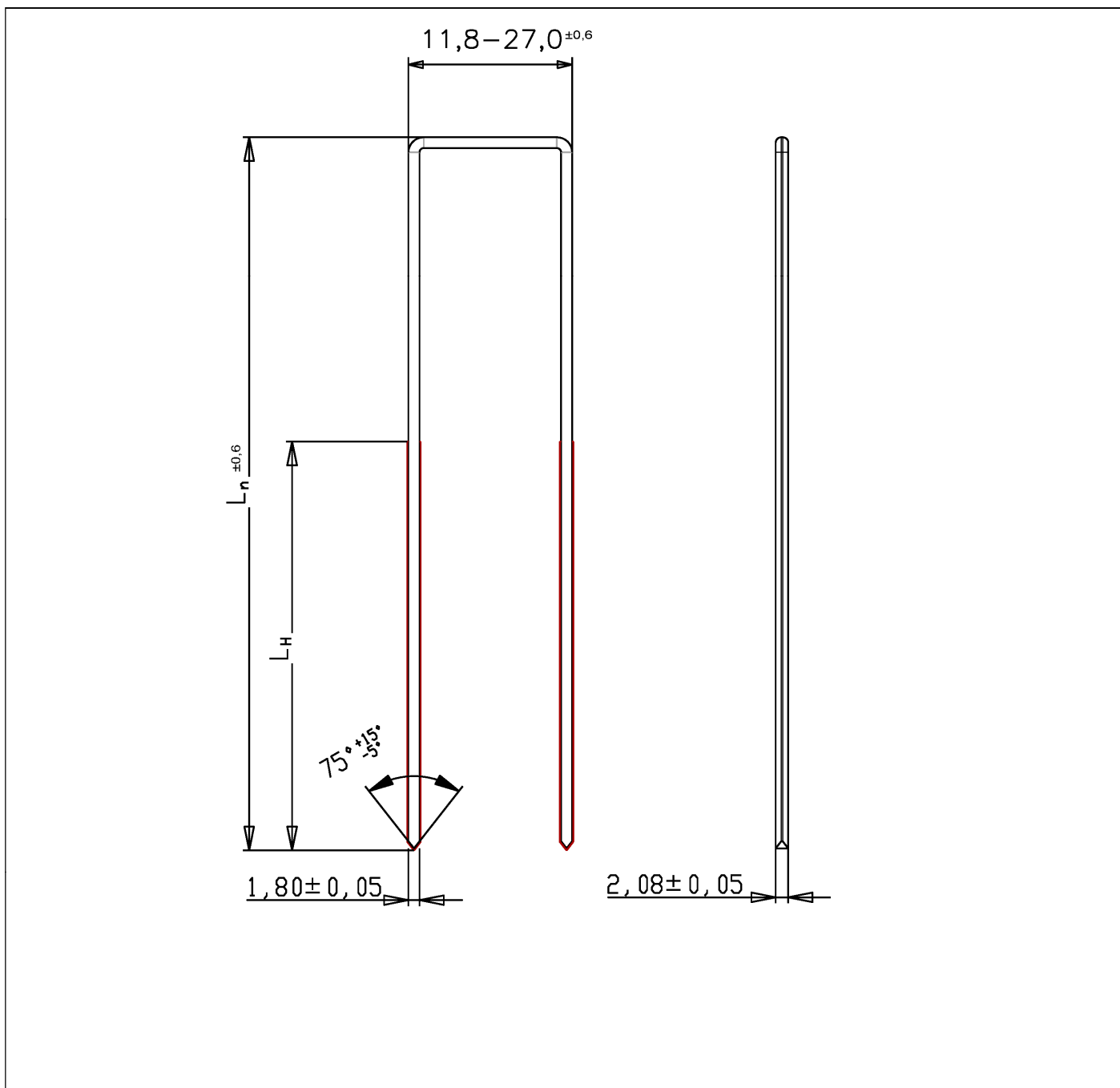
Combined glue/resin:
 ITW Harz Nr. 1, 2, 3 or 4

haubold staples $d = 1,53 - 1,80 - 2,00 \text{ mm}$ fasteners for timber constructions for long term
 or permanent load duration withdrawal capacity

Technical description of the product

haubold staples type HD7900 $d=1,80 \text{ mm}$ – galvanised or stainless steel

Annex 1.2



Staple raw wire:
 $\varnothing 2,00 \pm 0,03 \text{ mm}$
 Tensile strength $\geq 900 \text{ N/mm}^2$
 round stainless steel wire
 WNr. 1.4301 / 1.4401 / 1.4529
 or galvanised round wire
 with zinc thickness $\geq 86 \text{ g/m}^2$

Resin coating $L_H = \text{min. } 0,5 L_n ; \geq 25 \text{ mm}$
 Leg length $L_n = 35,0 - 170,0 \text{ mm}$
 Combined glue/resin:
 ITW Harz Nr. 1, 2, 3 or 4

haubold staples $d = 1,53 - 1,80 - 2,00 \text{ mm}$ fasteners for timber constructions for long term or permanent load duration withdrawal capacity

Technical description of the product

haubold staples type BS29000, SD91000 $d=2,00 \text{ mm}$ – galvanised or stainless steel

Annex 1.3

Annex 2 Specifications of intended use

A.2.1 Loading

- Static and quasi-static loads (not relevant to fatigue)
- Short-, medium-, long term and permanent load duration withdrawal as well as shear

A.2.2 Connection material

haubold staples d = 1,53 - 1,80 - 2,00 mm are used for load bearing connections of the following material.

Material for base building components

- Solid timber (softwood) according to EN 338¹/ EN 14081-1²,
- Glued laminated timber (softwood) according to EN 14080³,
- Glued solid timber according to EN 14080,
- Laminated veneer lumber LVL according to EN 14374⁴,
- Cross-laminated timber according to European technical assessments or national provisions that apply at the installation site.

Material for connected building components

- Oriented Strand Board (OSB) according to EN 300⁵ and EN 13986⁶,
- Plywood according to EN 636⁷ and EN 13986,
- Cement-bonded particle boards according to EN 634-2⁸ and EN 13986,
- Fibreboards according to EN 622-2⁹, EN 622-3¹⁰ and EN 13986,
- Laminated veneer lumber LVL according to EN 13986 in connection with EN 14279¹¹ or EN 14374
- Solid-wood panels according to EN 13353¹² and EN 13986,
- Gypsum boards according to EN 520¹³, density $\rho \geq 680 \text{ kg/m}^3$ but without Type D,
Gypsum boards Type D with a density of $\rho \geq 800 \text{ kg/m}^3$
- Gypsum boards with mat reinforcement according to EN 15283-1¹⁴ and Gypsum fibre boards according to EN 15283-2¹⁵
- Fibre-cement flat sheets – Product specification and test methods according to EN 12467¹⁶
- Thermal insulation products for buildings – Factory made wood fibre (WF) products – Specification according to EN 13171¹⁷

1	EN 338:2016	Timber structures - Strength classes
2	EN 14081-1:2005+A1:2011	Timber structures – Strength graded structural timber with rectangular cross section – Part 1: General requirements
3	EN 14080:2013	Timber structures - Glued laminated timber and glued solid timber - Requirements
4	EN 14374:2004	Timber structures - Structural laminated veneer lumber - Requirements
5	EN 300:2006	Oriented strand boards (OSB) – Definition, classification and specifications
6	EN 13986:2004+A1:2015	Wood-based panels for use in construction - Characteristics, evaluation of conformity and marking
7	EN 636:2012+A1:2015	Plywood - Specifications
8	EN 634-2:2007	Cement-bonded particleboards – Specifications – Part 2: Requirements for OPC bonded particleboards for use in dry, humid and external conditions
9	EN 622-2:2004	Fibreboards - Specifications - Part 2: Requirements for hardboards
10	EN 622-3:2004	Fibreboards - Specifications - Part 3: Requirements for medium boards
11	EN 14279:2009	Laminated Veneer Lumber (LVL) – Definitions, classification and specifications
12	EN 13353:2008+A1:2011	Solid wood panels (SWP) – Requirements
13	EN 520:2004+A1:2009	Gypsum plasterboards – Definitions, requirements and test methods
14	EN 15283-1:2008+A1:2009	Gypsum boards with fibrous reinforcement – Definitions, requirements and test methods – Part 1: Gypsum boards with mat reinforcement
15	EN 15283-2:2008+A1:2009	Gypsum boards with fibrous reinforcement – Definitions, requirements and test methods – Part 2: Gypsum fibre boards
16	EN 12467:2012+A1:2016	Fibre-cement flat sheets – Product specification and test methods
17	EN 13171:2012	Thermal insulation products for buildings – Factory made wood fibre (WF) products – Specification

A.2.3 Use conditions (environmental conditions)

A.2.3.1 Durability against corrosion

haubold staples $d = 1,53 - 1,80 - 2,00$ mm made of non-alloy steel rods are galvanized. The mean thickness of the zinc coating is minimum 86 g/m^2 . Steel no. 1.4301, 1.4401 and 1.4529 is used for haubold staples $d = 1,53 - 1,80 - 2,00$ mm made of stainless steel.

A.2.3.2 Durability of the resin coating

The resin coating L_H of haubold staples $d = 1,53 - 1,80 - 2,00$ mm has a minimum length of 50 % of the legs according to Annex 1. The following products are used as resin material:

ITW Harz Nr. 1, 2, 3 or 4

Data sheets of chemical compositions (as well as the process of application and drying for resin coatings) are deposited at Deutsches Institut für Bautechnik.

The resin coatings fulfil the requirements of the EAD 130019-00-0603, clause 2.2.9 "durability of the resin coating".

A.2.3.3 Installation

EN 1995-1-1¹⁸ in conjunction with the respective national annex applies for the installation of constructions with haubold staples $d = 1,53 - 1,80 - 2,00$ mm.

The point side penetration length t_2 of the staples has to be at least $14 \cdot d$.

For connections of wood fibre insulation material the maximum length of the leg is $L_n = 85 \cdot d$, the minimum width is $b = 20$ mm and the maximum thickness of the insulation is $70 \cdot d$.

¹⁸ EN 1995-1-1:2004+A1:2008+A2:2014

Eurocode 5: Design of timber structures – Part 1-1: General - Common rules and rules for buildings

Annex 3 Specifications of essential characteristics

A.3.1 Characteristic yield moment according to EN 14592

Table A.3.1 Characteristic yield moment $M_{y,k}$ [Nm] of one leg of haubold staples $d = 1,53 - 1,80 - 2,00$ mm

Type	Nominal diameter d [mm]	Characteristic yield moment $M_{y,k}$ [Nm]
KG700, SZ16, BK2500	1,53	0,62
HD7900	1,80	0,94
BS29000, SD91000	2,00	1,04

A.3.2 Withdrawal capacity for short-term and medium-term loads

The characteristic withdrawal parameter $f_{ax,k}$ of one leg (at an angle of at least 30° between the width of staple crown and the direction of the grain) for material with a characteristic density $\rho_k \geq 350$ kg/m³ as well as for short-term and medium-term withdrawal loads can be taken from Table A.3.2.

Table A.3.2 Characteristic withdrawal parameter $f_{ax,k}$ of one leg of haubold staples $d = 1,53 - 1,80 - 2,00$ mm

Type	Nominal diameter d in [mm]	Withdrawal parameter short- and medium-term load $f_{ax,k}$ in [N/mm ²]
KG700, SZ16, BK2500	1,53	4,9
HD7900	1,80	4,9
BS29000, SD91000	2,00	5,5

The withdrawal parameter according to Table A.3.2 have been determined for a maximum length of staples in the base building components of $14 \cdot d \leq t_2 \leq 20 \cdot d$.

A.3.3 Design value of withdrawal capacity for long-term and permanent loads

The design value of withdrawal capacity for long-term and permanent loads for service class 1 and 2 for one staple may be taken to:

$$R_{ax,d} = 70 \text{ N, with } \gamma_M = 1,3.$$

The design value of withdrawal capacity applies for a characteristic density of $\rho_k \geq 350$ kg/m³.

A.3.4 Maximum thickness of base building components

The maximum thickness t_1 according to Table A.3.3 applies for base building components (made of material according to chapter A.2.2) depending on the density of base building components.

Table A.3.3 Maximum thickness of connected material

Maximum thickness t_1 in [mm]	Range of density ρ_k in [kg/m ³]	Material of connected components Examples
80	$\rho_k \leq 400$	Solid timber of softwood
60	$400 < \rho_k \leq 650$	Wood-based panels and solid timber of hard- and softwood
40	$650 < \rho_k \leq 900$	Wood-based panels and gypsum boards
25	$900 < \rho_k \leq 1200$	Hardboards, gypsum fibreboards, cement-bonded particleboards
20	$1200 < \rho_k \leq 1600$	Highly compressed gypsum fibreboards

The maximum thickness of wood fibre insulation material is $t_1 \leq 70 \cdot d$.

A.3.5 Head pull-through capacity of wood and wood-based panels

The characteristic head pull-through parameters $f_{\text{head},k}$ for one staple of haubold staples $d = 1,53 - 1,80 - 2,00$ mm for a minimum thickness of material according to Table A.3.4 (for material with a characteristic density of $\rho_k \geq 350$ kg/m³) shall be taken from Table A.3.5:

Table A.3.4 Minimum thickness of wood and wood-based panels

Wood or wood-based panels	Minimum thickness t_1 in [mm]
Solid timber (softwood)	24
Solid wood panels	7d*
Plywood	6*
Oriented Strand Boards OSB	8*
Resin-bonded particleboards	8*
Cement-bonded particleboards	8*

* if staple crown is countersunk it has to be increased by 2 mm

The characteristic head pull-through capacity may be calculated according to equation (1)

$$R_{\text{ax},2,k} = f_{\text{head},k} \cdot b \cdot d \quad [\text{N}] \quad (1)$$

with:

$f_{\text{head},k}$: characteristic head pull-through parameter in [N/mm²]

b : width of staple crown [mm], $b \leq 27$ mm

d : nominal diameter of raw staple wire in [mm]

Table A.3.5 Characteristic head pull-through parameter $f_{\text{head},k}$ for material $\rho_k \geq 350$ kg/m³

Type	Nominal diameter d in [mm]	Width of staple crown b in [mm]	Head pull-through parameter $f_{\text{head},k}$ in [N/mm ²]
KG700, SZ16	1,53	11,3	36
BK2500		26,0	36
HD7900	1,80	11,0	32
SD91000	2,00	11,8	26
BS29000		27,0	34

A.3.6 Head pull-through capacity of wood fibre insulation material

The characteristic head pull-through parameter $f_{\text{head},k}$ of haubold staples BS29000 with $d=2,0$ mm for wood fibre insulation material with a mean density of at least 200 kg/m³ and a minimum thickness of the material of 60 mm is $f_{\text{head},k} = 9,36$ N/mm² for one staple. The width of the staple crown has to be at least 20 mm.

A.3.7 Minimum tensile strength of the wire

The minimum tensile strength of the raw wire of all haubold staples $d = 1,53 - 1,80 - 2,00$ mm is $f_u = 900$ N/mm².