

OPERATION AND ASSEMBLY MANUAL (EN)
BRUKS- OG MONTERINGSANVISNING (NO)
MONTAGE- EN GEBRUIKSHANDLEIDING (NL)

mill®

Series: Carbon patio heater

Model: JDB1500CL

Serie: Karbon terrassevarmer

Modell: JDB1500CL

Series: Carbon patio heater

Model: JDB1500CL

Please read the manual carefully and make sure that the patio heater is installed according to the provided instructions. The use and maintenance of the product must follow the operation manual as well. Failure to carefully observe these instructions may result in damage to the patio heater and personal injury. If you have any questions about the product assembly or operation, please contact the product importer.

CE

Thanks for buying Mill

Our company was founded in Norway in 1992 by Cato Bryn, specializing in distribution of oil filled radiators and other types of heaters. From 1992 to 2009, we have gained significant knowledge and expertise of different type of heaters, thus enabling us to sell to almost all the largest retailers in the Nordic countries.

In 2010, Cato's son, Phillip joined the company. Philip looked at the heating industry with fresh eyes and wondered why there had been so little change to the appearance of portable heaters in the last 20 years, especially since interior design in general had changed dramatically over the years. Philip thought consumers should have more styles to choose from other than the typical old-fashioned, traditional heaters.

Since heaters are part of so many homes, Philip and Cato decided to use their extensive knowledge to re-invent new design of heaters. They wanted to create beautiful, modern and minimalistic heaters, using the most advanced technology, that would complement people's homes. They launched the brand "Mill" in 2012.

Mill offers revolutionary, innovative Norwegian designs. We are continuously innovating to complement our line of products to meet consumers' demand.

Prospering on our success in the Nordics we decided to promote Mill at some of the world's largest electronic fairs and home shows in 2015 and 2016 - the feedback from retailers and distributors all over the world were amazing. We are proud to say that consumers in over 25 countries can now **keep warm with style!**

Follow us on social media:



fb.com/millheat



@millheat



millheat.com



post@millheat.com

Content

Important safety information.....	4-5
Specifications.....	6
Benefits of Carbon heating element.....	6
Description of patio heater.....	6
Installation.....	7
Minimum distances.....	7
How to install the patio heater.....	8
Operation.....	9
Troubleshooting.....	10
Maintenance.....	11
Guarantee and Waste Management.....	11

Important Safety Information

You must obey common safety guidelines when using electrical products, especially in the presence of children.

WARNING! To avoid electric shock or damage due to heat, always make sure the plug is pulled out before the heater is moved or cleaned.

- Read the instructions carefully.
- The product is intended for outdoor use only.
- Make sure the product is connected to the house's regular mains (230 V), as it indicated on the product.
- New products will produce a specific odor when used the first time. This will stop after a short time and is completely harmless.
- Check for any pieces of packing foam or cardboard that may have fallen into the heating elements of the product. These pieces must be removed in order to avoid unpleasant odors.
- Prevent the product from overheating – **do not cover**.
- Always turn off the product and unplug it when not used for a long time.
- Pay special attention if the product is used in areas where children, the handicapped or elderly reside.
- The product should not be set up directly beneath an electrical socket outlet.
- The cord must not be laid under any kind of carpet. Make sure the cord is laid in such a way that nobody can trip on it.
- The product must not be used if either the cord or plug is damaged. The product must not be used if it has been dropped on the floor or is damaged in any other way causing it to malfunction.
- The cord must be repaired by the manufacturer or by an expert if it has been damaged, to avoid dangerous situations.
- Avoid using extension cords, which may overheat and could possibly start a fire.
- Never cover the air vents on the heater. Avoid potential fire hazards by making sure the air intakes are not blocked or covered.
- The product should not be installed in close proximity to flammable materials of any kind because there can always be a risk of fire.

- The product must never be used in rooms where gasoline, paint or other flammable liquids are stored, such as in a garage.
- The product has an IP rating of IP25.
- Do not touch the heating lamp with bare fingers. If the heating lamp has been touched in connection with a fault, any fingerprints have to be wiped off using a soft cloth moistened with denatured alcohol. The fingerprints leave grease which can burn to the heating lamp. This shortens the service life of the heating lamp.
- Make sure that the product is installed in a safe manner and is mounted securely to the ceiling.
- Never touch an electric heater with wet hands.
- The product becomes hot when it is on. Therefore, be careful and avoid burning or scorching your skin.
- The product must be switched off, the plug removed and the product must cool down before it is moved.
- Avoid overloading the mains (the circuit) where the product is connected. The product may overload the electrical circuit if other electrical devices are plugged into the same socket outlet.
- The product cannot be used by children under 8 years of age and persons with reduced physical or mental abilities or lack of experience and knowledge unless they have been given supervision or instruction in the safe use of the product and understand the hazards involved.
- Children should not play with the product. Cleaning and maintenance should not be done by unsupervised children.
- Children under the age of 3 should be kept away from the product, unless they are under constant supervision.
- Children aged 3 to 8 years are only permitted to turn the product ON/OFF, assuming the product is mounted according to the assembly instructions and the children have received instruction or supervision in the safe use of the product and understand the hazards involved.
- The patio heater must not be placed at a distance of less than 1 m to furniture, sunblinds or any other flammable material
- The heater has to be connected to an electric socket approved for outdoor use.



KEEP THIS OPERATION MANUAL FOR FUTURE REFERENCE!

NEVER TOUCH THE PRODUCT WITH WET HANDS. NEVER COVER YOUR PATIO HEATER

THE PRODUCT IS HOT—DO NOT TOUCH

Specifications

Model	Heating lamp	Cable	Heating capacity	Dimensions (cm)	Weight	Power (W)	IP rating	Remote control
JDB1500CL	Carbon	Dark grey, 1,9 m*	5000 hours	Ø 40*32	3,1 kg	1500	IP25	Yes

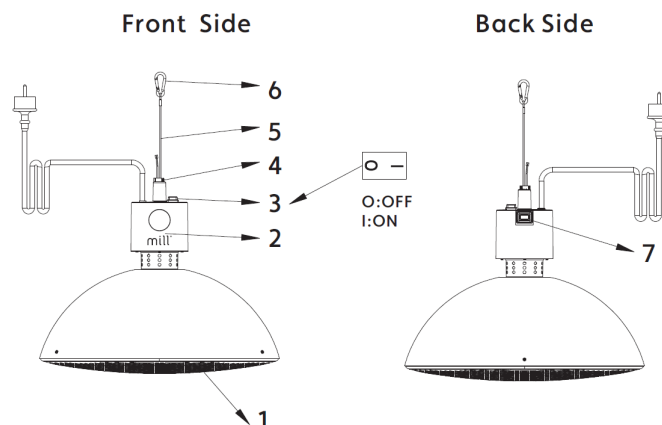
* Maximum length that is permitted under European Standard

Benefits of Carbon heating element

This patio heater has a carbon heating element that provides a gentle and comfortable heat. The element has a soft and pleasant light compared to traditional patio heaters that tend to have a prominent red glare.

Description of patio heater

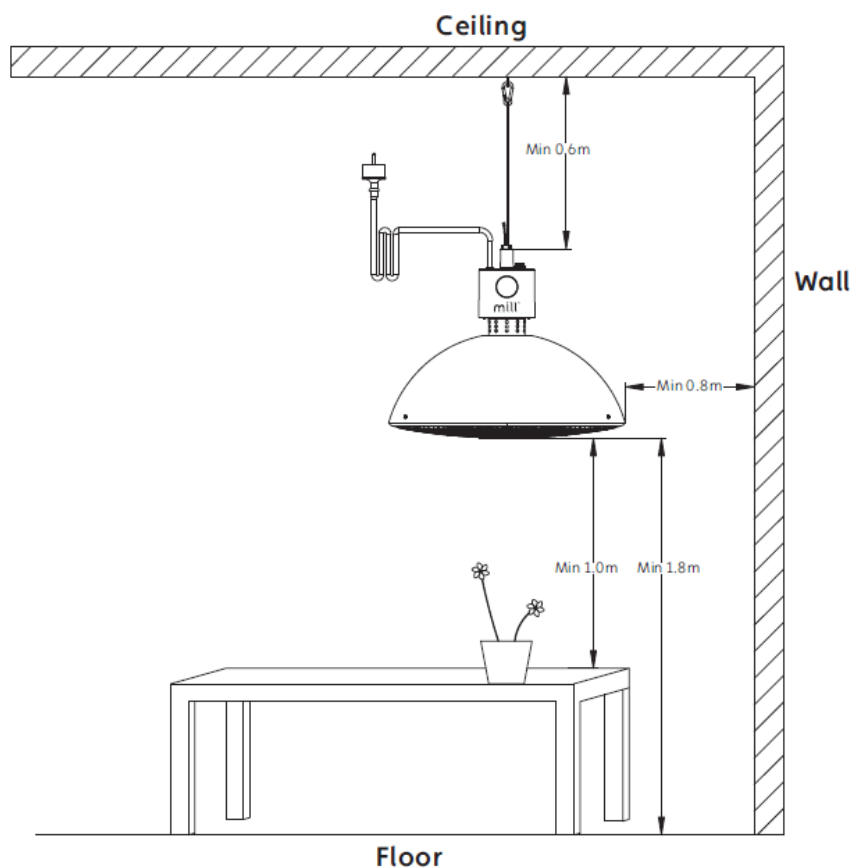
1. Heat emission
2. Indicator light/IR receiver for remote control
3. ON/OFF
4. Adjustment point for wire
5. Adjustable wire
6. Carabiner
7. Output selector; 2 effect levels: 750W and 1500W



Installation

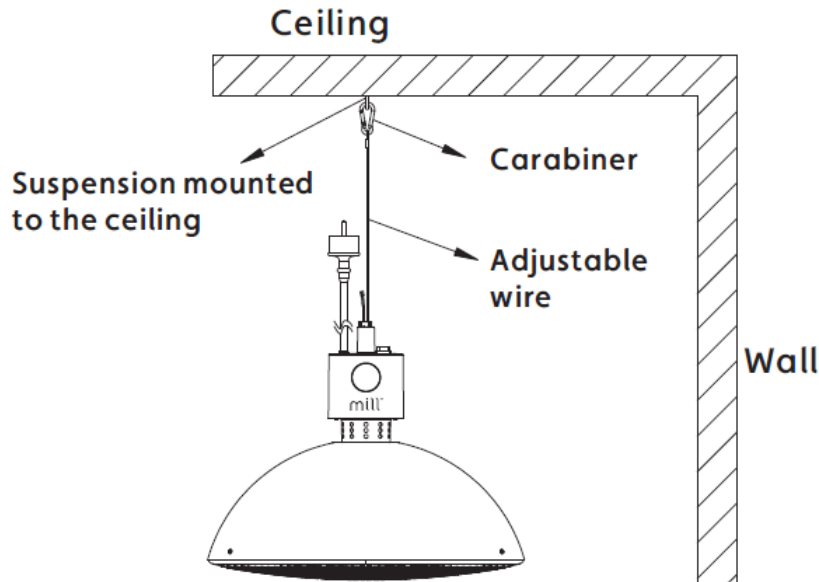
- When unpacking the patio heater, check for missing parts and make sure that it is not faulty or defective.
- Keep the packaging away from children as it can be dangerous.
- Make sure that the mains voltage matches the rated voltage on the type plate.
- Do not disassemble any of the heater components
- Never pull the power cable in order to move the patio heater.
- Make sure that the ceiling is firm and solid before any drilling or screwing.
- Always use the supplied suspension, wire and carabiner when installing the product to the ceiling. Inspect it for damages and make sure it is intact.
- The patio heater should be installed so that it hangs at a distance of at least 1,8 m from the floor and 0,6 m from the ceiling or superstructure (please see the illustration below).
- The patio heater should be placed at a distance of at least 0,8 m from adjacent walls or any other objects on both sides (please see the illustration below).
- There should always be a safety distance of at least 1,0 m below the heater.
- The heater must be connected to an earthed socket.
- Do not turn on the patio heater before the installation is complete.

Minimum distances



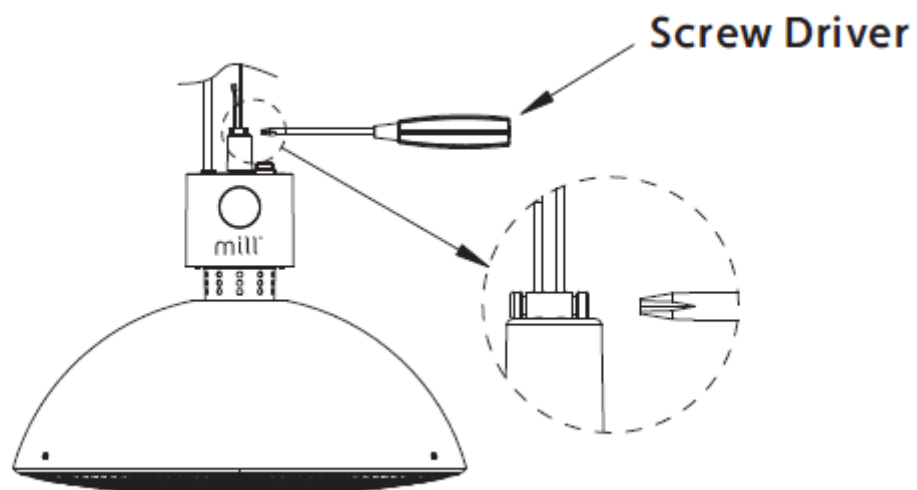
How to install the patio heater:

This product must be mounted to a solid and secure ceiling outdoor. Use the supplied suspension to mount the patio heater to the ceiling. Install the suspension to the ceiling by using the supplied screws. Make sure the suspension is securely fastened before you attach the patio heater by connecting the carabiner to the suspension. Please see illustration below.



Adjust the height of the patio heater with the adjustable wire. To adjust the height; use a screwdriver to loosen the two screws connected to the wire (adjustment point for wire). When the screws are loosened you can easily drag the end of the wire to find your desired height for the patio heater.

Tip! It may be easier to adjust the height when the patio heater is installed and hanging from the ceiling.



Operation

To switch the patio heater on:

1. Put the plug into an electric socket
2. Press I on the ON/OFF button at the top of the patio heater to set the heater in standby mode (green light)
3. Press the button at the back of the patio heater 1 time for 750W (orange light) and 2 times for maximum effect of 1500W (red light).

Attention! Please be aware that the carbon heating element will take some time to reach maximum effect.

As long as the heater has been set in standby mode (green light), you can use the wireless remote control to turn the patio heater ON/OFF and adjust the heat by setting the watt power to 2 different levels; 750W (orange light) and 1500W (red light). Point the remote control in the direction of the indicator light on the patio heater when using it. Battery type: 2 pcs AAA, not included.

To switch the patio heater off:

1. Press o on the ON/OFF button at the top of the patio heater or press OFF on the remote control
2. Pull the plug out of the electric socket.



Up arrow	Up one heating level
Down arrow	Down one heating level
MAX	The heater goes directly to the highest heating level.
On	To switch the heater on: Press ON/OFF button
Off	To switch the heater off: Press ON/OFF button: the heater will switch to standby mode (green light).
Battery type	2 x AAA, not included.

Troubleshooting

Before you go through the troubleshooting procedure below, please check the following:

1. Check if there is electricity in the socket.
2. Make sure that the product is in standby mode. In other words, the ON/OFF switch at the top of the patio heater is in position I and the indicator light is green.

Fault	Cause	Remedy
The product does not generate heat and the receiver light does not respond when a remote control button is pressed.	The battery has been improperly inserted in the remote control, flat battery or defective remote control	Check whether the battery is properly inserted and make sure that the battery is not flat. Try to use manual control. In case the problem persists after the abovementioned corrections, contact Mill and request a new remote control
The product does not generate heat but the receiver light responds as if the heater is switched on when pressing different heating levels on the remote control.	Defective heating lamp	Please return the product to the dealer.
The product does not generate heat and the receiver indicator is not on	Defective product	Make sure that you have checked items 1-2 above. If the problem persists, the product is defective. Return the product to the dealer.

Maintenance

The maintenance is simple and does not involve dismantling or moving parts. Make sure that the power is off and that the heater is cold before wiping the product with a dry cloth.


Do not touch the heating lamp with your hands or with hard objects.

Do not use abrasive or corrosive agents to wash the patio heater.

Guarantee

The guarantee is valid for a period of two years. If a fault occurs during this period, the product will be repaired or replaced. In order for the guarantee to apply, the product must be used according to the instructions described in this operation manual and a receipt must be presented. In case of a product fault, please contact the store, where you have purchased the product, or the product importer.

Waste Management

The symbol  indicates that this product may not be thrown away along with ordinary household waste. In order to prevent possible damage to the environment or to human health, the product must be delivered for refurbishment of electric and electronic equipment. Your local electricity company or recycling station can manage the environmentally friendly destruction or refurbishment of such products.

In case of a complaint, please indicate the serial number and enclose the original receipt.

In case of a complaint, questions about the product or spare parts, please contact your dealer
or Mill International AS



Mill International AS

Grini Næringspark 10

1361 Østerås

Tlf: +47 22 13 32 00

facebook.com/millheat

millheat.com

Innhold

Viktig sikkerhetsinformasjon.....	4-5
Spesifikasjoner	6
Fordeler med karbon varmeelement.....	6
Beskrivelse av terrassevarmer.....	6
Installasjon.....	7
Minimumavstander.....	7
Hvordan installere terrassevarmeren.....	8
Bruk.....	9
Feilsøking.....	10
Vedlikehold.....	11
Garanti og avfallshåndtering.....	11

⚠ Viktig sikkerhetsinformasjon

Vanlige sikkerhetsregler må alltid følges ved bruk av elektriske artikler, spesielt når barn er tilstede.

ADVARSEL! For å unngå elektrisk støt eller skader på grunn av varme, pass alltid på at støpselet er trukket ut før produktet flyttes eller rengjøres.

- Les bruksanvisningen nøye
- Produktet skal kun ment for utendørs bruk
- Sørg for at produktet kobles til husets vanlige strømnnett (230V) slik produktets merke viser
- Nye produkter vil avgi en egen lukt når den brukes
- Sjekk at det ikke har falt rester (isopor/papp) fra innpakningen ned på varmerøret til produktet. Slike rester må fjernes for å unngå ubehagelig lukt
- Unngå at produktet blir overopphetet – må ikke tildekkes
- Skru alltid ovnen (Off) og dra ut kontakten når den ikke er i bruk over lengre tid
- Vær spesielt oppmerksom hvis produktet er i bruk hvor barn, handikappede eller eldre oppholder seg
- Produktet må ikke monteres opp rett "under" et elektrisk kontaktpunkt
- Ledningen må ikke legges under tepper av noe slag. Påse at den ligger på en slik måte at ingen kan snuble i den
- Produktet må ikke brukes hvis ledningen eller kontakten er skadet. Den må ikke brukes hvis den har falt i bakken (gulvet) eller er skadet på annen måte, slik at den ikke fungerer normalt
- Hvis ledningen blir skadet må denne bli reparert av en fagperson for å unngå farlige situasjoner
- Unngå å bruke skjøteledning, da en slik ledning kan bli overopphetet og muligens starte en brann
- Dekk aldri til luftinntakene på produktet. Unngå en mulig brann ved å sørge for at ovnens luftinntak ikke er sperret eller tildekket. Ovnens brukes i rom med vanlige rette gulv
- Ovnens må ikke monteres rett ved brennbart materiale av noe slag da det alltid kan være en fare for brann

- Ovnens må ikke brukes i rom hvor det lagres bensin, maling eller andre let antennelige væsker som for eks. i en garasje
- Produktet har en IP grad på IP25
- Ikke berør varmerøret med bare fingrene. Hvis varmerøret berøres ved en feil, skal fingeravtrykk vaskes bort med en myk klut fuktet med rødsprit. Fingeravtrykkene etterlater seg fett som kan brenne seg fast. Dette forkorter varmerørets levetid
- Kontroller at produktet er montert på en trygg måte, og sitter godt fast i taket
- Ta aldri på produktet med våte hender.
- Produktet blir varmt når det står på. Vær derfor oppmerksom slik at du unngår å brenne eller svi huden din
- Produktet må være skrudd av, kontakten tatt ut og ovnen være kald før det blir flyttet på
- Unngå overbelastning på strømmettet (kursen) hvor produktet er tilkoblet. Ta hensyn hvis annen elektrisk apparatur er koblet til samme strømuttak eller kurs
- Produktet kan ikke benyttes av barn under 8 år og personer med reduserte fysiske eller psykiske evner eller som mangler erfaring og kunnskap, om de ikke får tilsyn eller instruksjoner om bruk av apparatet på en sikker måte og forstår farene som er involvert.
- Barn skal ikke leke med produktet. Rengjøring og vedlikehold skal ikke utføres av barn uten tilsyn
- Barn under 3 år skal holdes unna produktet med mindre de har kontinuerlig tilsyn
- Barn i alderen 3 til 8 år kan kun slå AV/PÅ produktet, forutsatt at produktet er montert slik monteringsanvisningen viser, og barna har fått instruksjon eller tilsyn vedrørende bruk av produktet på en sikker måte og forstår farene som er involvert
- Terrassevarmeren må ikke plasseres i en avstand mindre enn 1 m fra møbler, markiser eller annet brennbart materiale
- Produktet må være tilkoblet en stikkontakt som er godkjent for utendørs bruk



TA VARE PÅ DENNE BRUKSANVISNINGEN!

**ALDRI BERØR MED VÅTE HENDER - ELLER DEKK TIL DIN TERRASSEVARMER
PRODUKTET ER VARMT—IKKE RØR**

Spesifikasjoner

Modell	Varmerør	Ledning	Varmekapasitet	Dimensjoner (cm)	Vekt	Effekt (W)	IP-grad	Fjernkontroll
JDB1500CL	Karbon	Mørk grå 1,9 m*	5000 hours	Ø 40*32	3,1 kg	1500	IP25	Yes

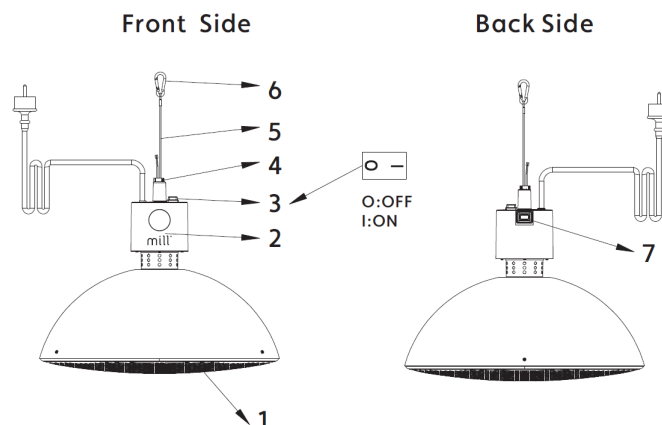
* Maksimum lengde som er tillatt i følge Europeisk standard

Fordeler med karbon varmeelement

Denne terrassevarmeren har et karbon varmeelement som avgir en skånsom og komfortabel varme. Dette elementet har et dempet og behagelig lys i motsetning til tradisjonelle terrassevarmere som ofte har et fremtredende glødende rødt lys.

Beskrivelse av terrassevarmer

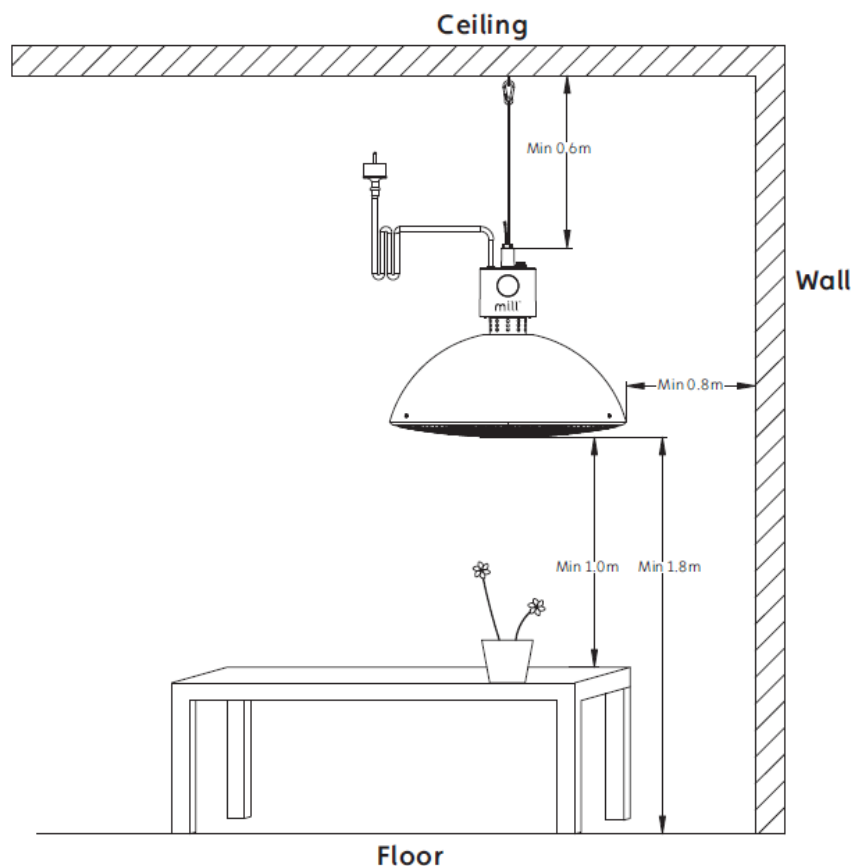
1. Varmeutslipp
2. Indikatorlys/IR mottaker for fjernkontroll
3. PÅ/AV
4. Justeringspunkt for vaier
5. Justerbar vaier
6. Karabinkrok
7. Effektvelger; 2 effektnivåer: 750W og 1500W



Installasjon

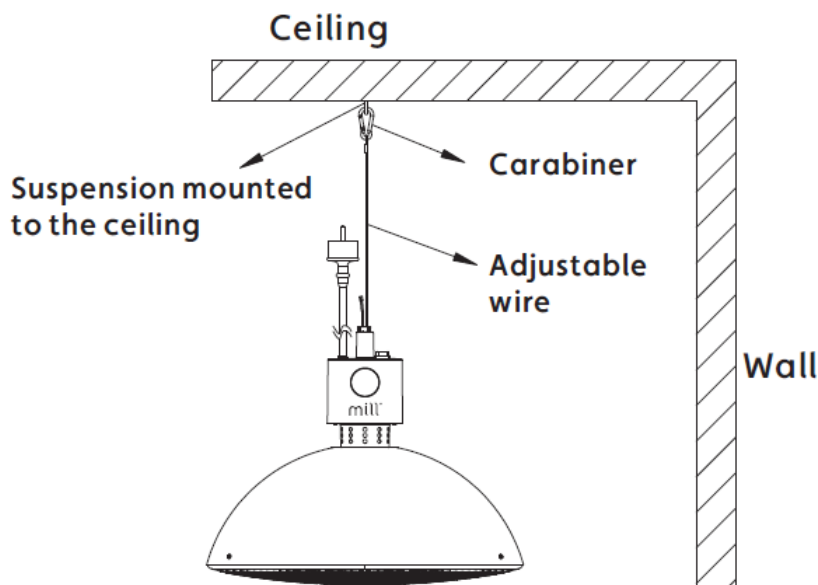
- Sjekk at terrassevarmeren er komplett, uten opplagte feil eller mangler når du pakker den ut
- Hold emballasjen vekk fra barn, den kan være farlig
- Kontroller at nettspenningen stemmer overens med merkespenningen på typeskiltet.
- Ikke demonter noen deler av varmeren
- Dra ikke i strømkabelen for å flytte terrassevarmeren
- Vær sikker på at taket er fast og solid før boring eller skruing.
- Bruk alltid medfølgende oppheng, vaier og karabinkrok når du monterer produktet til taket. Sjekk at det ikke er noe skader på delene.
- Terrassevarmeren bør installeres minst 1,8m fra bakken og 0,6 m fra tak eller overbygg (vennligst se illustrasjon under).
- Terrassevarmeren bør plasseres minst 0,8 m fra tilstøtende vegger eller andre gjenstander på begge sider (vennligst se illustrasjon under)
- Det bør alltid være minst 1,0 m sikkerhetsavstand under terrassevarmeren.
- Terrassevarmeren må tilkobles jordet kontakt.
- Sett ikke på terrassevarmeren før installasjonen er ferdig.

Minimumavstander



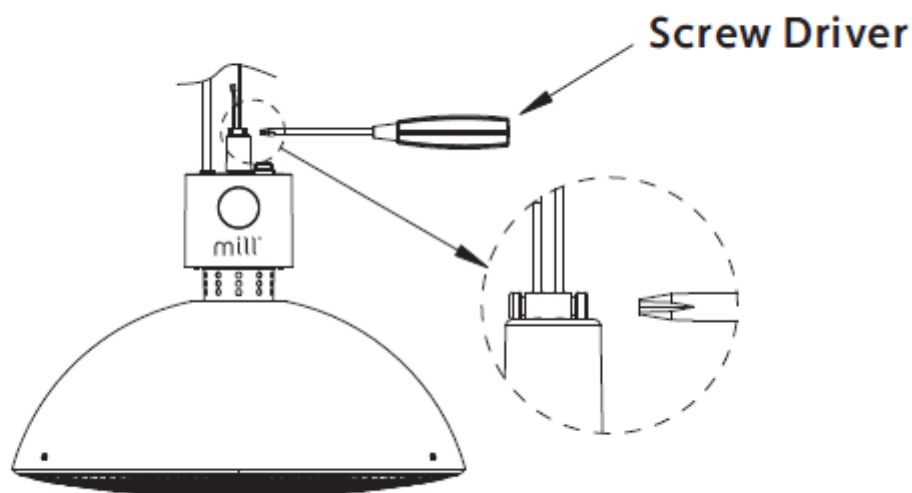
Hvordan installere terrassevarmeren:

Dette produktet må monteres til et solid og sikkert tak/overbygg utendørs. Bruk opphenget som medfølger produktet for å feste terrassevarmeren til taket. Fest opphenget til taket ved å skru inn medfølgende skruer. Vær sikker på at opphenget er festet godt før du henger opp terrassevarmeren ved hjelp av medfølgende karabinkrok som festes til opphenget. Vennligst se illustrasjon nedenfor.



Juster høyden på terrassevarmeren med den justerbare vaieren. For å justere høyden; bruk en skrutrekker for å løsne de to skruene som er plassert nederst på vaieren (justeringspunkt for vaier). Når skruene er løst opp kan du enkelt dra i enden av vaieren for å finne din ønskede høyde for terrassevarmeren.

Tips! Det kan være enklere å justere høyden når terrassevarmeren er installert og henger fra taket.



Bruk

For å skru på terrassevarmeren:

1. Sett støpselet i en stikkontakt
2. Trykk på I på AV/PÅ knappen på toppen av produktet for å sette produktet i standby modus (grønt lys)
3. Trykk på knappen på baksiden av produktet 1 gang for 750W (oransje lys) og 2 ganger for maks effekt på 1500W (rødt lys).

OBS! Vær oppmerksom på at det vil ta litt tid før karbon varmeelementet oppnår maks effekt

Så lenge terrassevarmeren har blitt satt i standby modus (grønt lys), kan du bruke fjernkontrollen for å skru terrassevarmeren PÅ/AV og justere varmen ved å sette watt styrken til 2 ulike nivåer; 750W (oransje lys) og 1500W (rødt lys). Hold fjernkontrollen i retning mottakerlyset på terrassevarmeren når den er i bruk. Batteritype: 2 stk. AAA, medfølger ikke.

For å skru av terrassevarmeren:

1. Trykk inn o på AV/PÅ knappen på toppen av produktet eller trykk på OFF på fjernkontrollen.
2. Dra støpselet ut av stikkontakten



Pil opp	Opp et varmenivå
Pil ned	Ned et varmenivå
MAX	Varmeren går direkte til høyeste varmenivå
On	For å skru på produktet: Trykk en gang på ON/OFF knap-
Off	For å skru av produktet: Trykk en gang på ON/OFF knappen: Produktet er nå i standby modus (grønt lys).
Batteritype	2 x AAA, medfølger ikke.

Feilsøking

Før du går gjennom feilsøkingsskjema under, vennligst kontroller følgende:

1. Sjekk om det er strøm i kontakten.
2. Påse at produktet er satt i standby modus. Dette vil si at AV/PÅ bryter på toppen av produktet står i posisjon I. Man vil se at mottakerlyset lyser grønt.

Feil	Årsak	Rettelse
Produktet varmer ikke, og mottakerlyset reagerer ikke når man trykker på fjernkontrollen	Batteri feil innsatt i fjernkontroll, flatt batteri eller defekt fjernkontroll	Kontroller at batteri er korrekt innsatt, samt at batteriet ikke er flatt. Ved vedvarende problem etter nevnte rettelse, kontakt Mill for tilsendelse av ny fjernkontroll
Produktet varmer ikke, men mottakerlyset reagerer som om varmeren skulle være på når man trykker på ulike varmenivå på fjernkontrollen	Defekt varmerør	Vennligst lever produktet tilbake til forhandleren.
Produktet varmer ikke, og det er heller ikke lys i mottakerlyset	Defekt produkt	Påse at du har kontrollert punkt 1-2 over. Om problemet vedvarer er produktet defekt. Ta produktet tilbake til forhandler

Vedlikehold

Vedlikehold er enkelt, uten demontering eller bevegelige deler. Sørg for at strømmen er kuttet og varmeren er kald, før du tørker over den med en tørr klut.


Ikke berør varmerøret med hendene eller harde gjenstander.

Ikke bruk slipende eller etsende løsninger for å vaske terrassevaskeren.

Garanti

Garantien gjelder i 2 år. I denne tiden vil produktet bli reparert eller erstattet om feil skulle oppstå. Forutsetningen er at produktet er brukt i henhold til denne bruksanvisningen og fremlegging av kjøpskvittering. Skulle det oppstå feil med produktet, ta kontakt med butikken der den ble kjøpt eller med importøren.

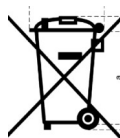
Avfallshåndtering

Symbolet  angir at dette produktet ikke skal kastes sammen med vanlig husholdningsavfall. For å hindre mulig skade på miljø eller helse, må dette produktet leveres til resirkulering av elektrisk og elektronisk utstyr. Din lokale el. forretning eller miljøstasjon har en ordning for å ivareta en miljøriktig destruksjon og resirkulering av slike produkter.

Ved reklamasjon må serienummer og original kvittering forelegges.

Ved eventuell reklamasjon, spørsmål om produktet eller reservedeler, kontakt forhandler eller

Mill International AS



Mill International AS

Grini Næringspark 10

1361 Østerås

Tlf: +47 22 13 32 00

facebook.com/millheat

millheat.com

Inhoud

Belangrijke veiligheidsinformatie.....	4-6
Specificaties.....	7
Voordelen van een karbon verwarmingselement.....	7
Omschrijving van de terrasheater.....	7
Installatie.....	8
Minimale afstanden.....	8
Hoe een terrasverwarmer te installeren.....	9
Operatie.....	10
Troubleshooting.....	11
Onderhoud.....	12
Garantie en afvalverwerking.....	12

Belangrijke veiligheidsinformatie



U moet zich houden aan de algemene veiligheidsrichtlijnen bij het gebruik van elektrische producten, vooral in de aanwezigheid van kinderen.

WAARSCHUWING! Om elektrische schokken of schade door hitte te voorkomen, moet u ervoor zorgen dat de stekker uit het stopcontact is voordat de verwarming wordt verplaatst of gereinigd

- Lees de handleiding aandachtig door.
- Het product is uitsluitend bedoeld voor gebruik buitenshuis.
- Zorg dat het product is aangesloten op netstroom (230 V), zoals aangegeven op het product.
- Nieuwe producten geven een specifieke geur af wanneer deze voor het eerst worden gebruikt. Dit stopt na korte tijd en is volledig onschuldig
- Controleer op mogelijke stukken piepschuim of karton die tussen de onderdelen van de kachel gevallen kunnen zijn. Deze moeten worden verwijderd om onaangename geuren te voorkomen
- Voorkom oververhitting van het product – **niet afdekken**
- Zorg altijd dat je het product uitschakelt en van de stroom haalt wanneer je deze langere tijd niet gebruikt.
- Let extra goed op wanneer het product wordt gebruikt in ruimtes waar kinderen, gehandicapten of ouderen aanwezig zijn.
- Het product mag niet direct onder een stopcontact worden geplaatst
- Het snoer mag onder geen enkel soort tapijt of kleed liggen. Zorg dat het snoer zodanig ligt dat niemand erover kan struikelen.

- Het product mag niet worden gebruikt als de stekker of het snoer beschadigd zijn. Het product mag niet worden gebruikt als deze op de grond is gevallen of zodanig beschadigd is dat hij niet meer juist functioneert.
- In geval van schade moet het snoer worden gerepareerd door de producent of een expert om gevaarlijke situaties te voorkomen.
- Gebruik geen verlengsnoeren. Deze kunnen oververhit raken en brand veroorzaken
- Bedek nooit de ventilatie openingen van de verwarmers. Vermijd potentieel brandgevaar door ervoor te zorgen dat de luchttoevoer niet wordt geblokkeerd of bedekt. .
- In verband met brandgevaar mag het product niet bij licht ontvlambare materialen worden geplaatst.
- Het product mag nooit gebruikt worden in ruimtes waar benzine, verf of andere brandbare vloeistoffen zijn opgeslagen, zoals in garages.
- Het product heeft een IP waarde of IP25.
- Raak de verwarmingslamp niet met blote vingers aan. Als de verwarmingslamp is aangeraakt in verband met een storing, moeten vingerafdrukken worden afgeveegd met een zachte doek die is bevochtigd met gedestilleerde alcohol. De vingerafdrukken laten vet achter dat kan branden op de verwarmingslamp. Dit verkort de levensduur van de verwarmingslamp.
- Zorg ervoor dat het product op een veilige manier is geïnstalleerd en stevig aan het plafond is bevestigd.
- Raak een elektrische verwarmers nooit aan met natte handen.
- Het product wordt heet als het aan staat. Wees daarom voorzichtig en vermijd verbranding of verschroeïing van uw huid.
- Het product moet worden uitgeschakeld, de stekker moet worden verwijderd en het product moet afkoelen voordat het wordt verplaatst.

- Voorkom overbelasting van het lichtnet (het circuit) waar het product is aangesloten. Het product kan het elektrisch circuit overbelasten als andere elektrische apparaten op hetzelfde stopcontact zijn aangesloten.
- Dit apparaat mag niet worden gebruikt door kinderen onder de 8 jaar en personen met beperkte psychische of fysieke vaardigheden of met een gebrek aan ervaring en kennis, tenzij deze onder toezicht staan of de juiste instructies hebben gekregen aangaande het veilige gebruik van het apparaat en dus op de hoogte zijn van alle mogelijke gevaren .
- Laat kinderen niet met het apparaat spelen. Reiniging en onderhoud mogen niet door kinderen worden uitgevoerd zonder toezicht.
- Kinderen onder de 3 jaar moeten op afstand van het apparaat worden gehouden, tenzij zij onder voortdurend toezicht staan
- Kinderen tussen de 3 en 8 jaar mogen het product alleen aan- en uitzetten(ON/OFF), wanneer het product correct is geplaatst en deze kinderen de juiste instructies of toezicht m.b.t. veilig gebruik hebben gekregen en de mogelijke gevaren begrepen hebben.
- Het product mag niet geplaatst worden op een afstand van minder dan 1 meter tov meubels, zonneschermen en ander vlambaar materiaal
- Het product moet worden aangesloten op een stopcontact geschikt voor gebruik buitenshuis .



BEWAAR DEZE HANDLEIDING VOOR TOEKOMSTIGE REFERENTIE!

RAAK HET PRODUCT NOOIT AAN MET NATTE HANDEN. DEK DE TERRASVERWARMER NOOI AF

HET PRODUCT IS WARM—RAAK HET NIET AAN

Specificaties

Model	Warmte lamp	snoer	Warmte capaciteit	Dimensies (cm)	gewicht	Vermogen (W)	IP rating	Remote control
JDB1500CL	Carbon	Donker grijs, 1,9 m*	5000 uur	Ø 40*32	3,1 kg	1500	IP25	ja

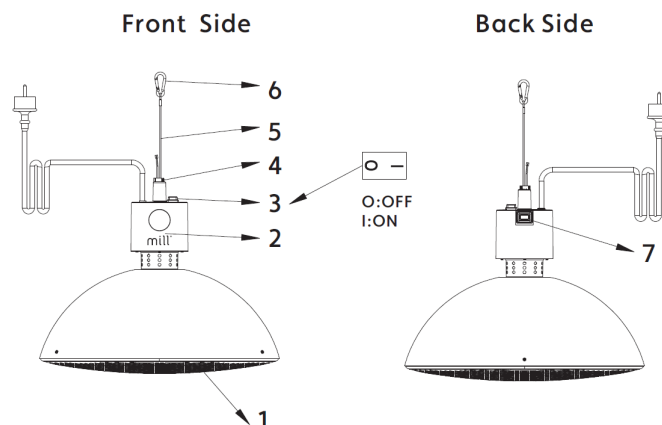
* Maximale lengte dat is dat is toegestaan volgens de Europese norm

Voordelen van een Carbon warmte element

Deze terrasverwarmer heeft een carbon warmte element dat zorgt voor een zachte en comfortabele warmte. Het element geeft zacht en aangenaam licht, in vergelijking met traditionele terrasverwarmer met een opvallende rode gloed

Omschrijving van de terrasverwarming

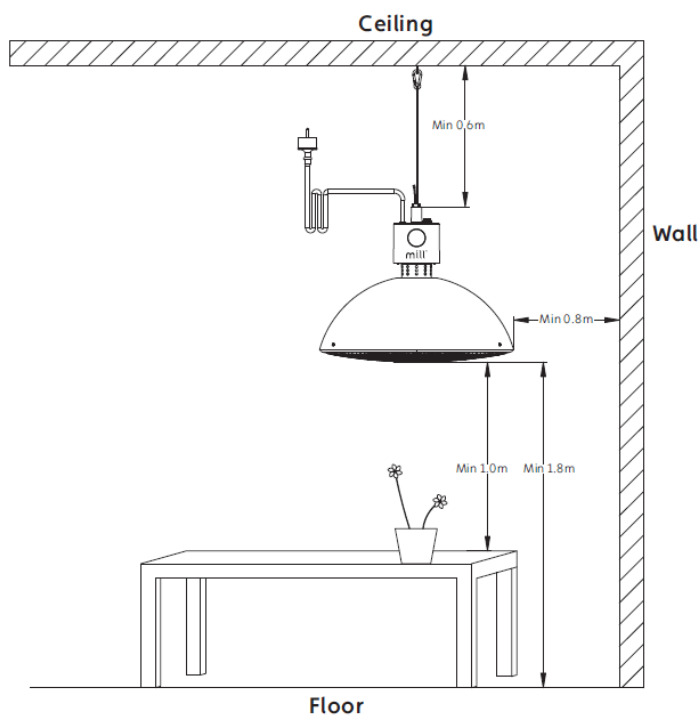
1. Warmte afgifte
2. Indicator lamp/IR reciever voor de afstandsbediening
3. AAN/UIT
4. Aanpassingspunt voor snoer
5. Herstelbaar snoer
6. Karabijnhaak
7. Output selector; 2 warmte instellingen: 750W en 1500W



Installatie

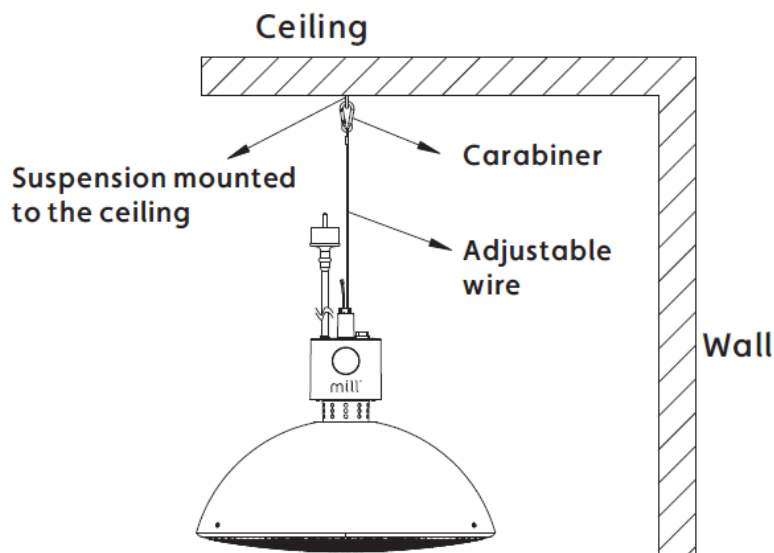
- Let bij het uitpakken van de terrasverwarmer op ontbrekende onderdelen en zorg dat deze niet defect of defect zijn.
- ·Houd de verpakking uit de buurt van kinderen, omdat dit gevaarlijk kan zijn.
- ·Zorg ervoor dat de netspanning overeenkomt met de nominale spanning op het typeplaatje.
- ·Demonteer geen onderdelen van de verwarming.
- ·Trek nooit aan de stroomkabel om de terrasverwarmer te verplaatsen.
- ·Zorg ervoor dat het plafond stevig en stevig is voordat u gaat boren of schroeven.
- ·Gebruik altijd de meegeleverde ophanging, draad en karabijnhaak bij het installeren van het product aan het plafond. Inspecteer het op beschadigingen en zorg ervoor dat het intact is.
- ·De terrasverwarmer moet zodanig worden geïnstalleerd dat hij op een afstand van minstens 1,8 m van de vloer en 0,6 m van het plafond of de bovenbouw hangt (zie de illustratie hieronder).
- ·De terrasverwarmer moet op een afstand van ten minste 0,8 m van aangrenzende muren of andere objecten aan beide zijden worden geplaatst (zie de afbeelding hieronder).
- ·Er moet altijd een veiligheidsafstand van minstens 1,0 m onder de verwarming zijn.
- ·De verwarming moet op een geaard stopcontact worden aangesloten.
- Zet de terrasverwarmer niet aan voordat de installatie is voltooid.

Minimale afstanden



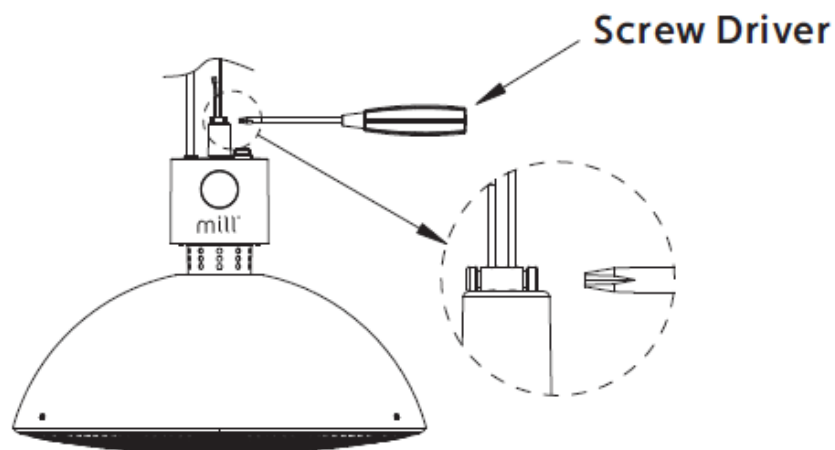
Hoe de terrasverwarmer te installeren:

Dit product moet buiten op een stevig en veilig plafond worden gemonteerd. Gebruik de meegeleverde ophanging om de terrasverwarmer aan het plafond te monteren. Bevestig de ophanging aan het plafond met behulp van de meegeleverde schroeven. Zorg ervoor dat de ophanging stevig is vastgemaakt voordat u de terrasverwarmer bevestigt door de karabijnhaak aan de ophanging te bevestigen. Zie de illustratie hieronder



Pas de hoogte van de terrasverwarmer aan met de verstelbare draad. Om de hoogte aan te passen; gebruik een schroevendraaier om de twee schroeven los te maken die op de draad zijn aangesloten (instelpunt voor draad). Wanneer de schroeven loszitten, sleept u eenvoudig het uiteinde van de draad om de gewenste hoogte voor de terrasverwarmer te vinden.

Tip! Het kan eenvoudiger zijn om de hoogte aan te passen wanneer de terrasverwarmer is geïnstalleerd en aan het plafond hangt.



Operatie

Om de terrasverwarmer in te schakelen:

1. Steek de stekker in een stopcontact
2. Druk op I op de AAN / UIT-knop bovenaan de terrasverwarmer om de kachel in de standbymodus te zetten (groen licht)
3. Druk 1 keer op de knop aan de achterkant van de terrasverwarmer voor 750W (oranje licht) en 2 keer voor maximaal effect van 1500W (rood licht).

Aandacht! Hou er absoluut rekening mee dat het carbon warmte element enige tijd nodig heeft om zijn maximale effect te bereiken.

Zolang de verwarming in de stand-bymodus is gezet (groen licht), kunt u de draadloze afstandsbediening gebruiken om de terrasverwarmer AAN / UIT te zetten en de warmte aan te passen door het (watt) vermogen in te stellen op 2 verschillende niveaus; 750 W (oranje lampje) en 1500 W (rode lampje). Richt de afstandsbediening in de richting van het indicatielampje op de terrasverwarmer wanneer u deze gebruikt. Batterijtype: 2 st AAA, niet inbegrepen.

Om de terrasverwarmer uit te schakelen:

1. Druk op o op de AAN / UIT-knop boven op de terrasverwarmer of druk op UIT op de afstandsbediening
2. Trek de stekker uit het stopcontact.



Pijl naar boven	Eén verwarmingsniveau hoger
Down arrow	Eén verwarmingsniveau hoger
MAX	De verwarmer gaat direct naar het hoogste verwarmingsniveau.
AAN	Om de heater aan te zetten: Druk op ON/OFF knop
UIT	Om de heater uit te zetten: Druk de ON/OFF knop: de heater gaat naar de standby mode (groen licht).
Battery type	2 x AAA, niet inclusief

Troubleshooting

Controleer het volgende voordat u de onderstaande trouble shooting procedure doorloopt:

1. Controleer of er elektriciteit in de aansluiting zit.
2. Zorg ervoor dat het product in de standby-modus staat. Met andere woorden, de AAN / UIT-schakelaar aan de bovenkant van de terrasverwarmer bevindt zich in positie I en het indicatielampje is groen.

Fout	Oorzaak	Oplossing
Het product genereert geen warmte en het lampje van de ontvanger reageert niet wanneer op een knop op de afstandsbediening wordt gedrukt	De batterij is niet goed geplaatst in de afstandsbediening, lege batterij of defecte afstandsbediening	Controleer of de batterij correct is geplaatst en zorg dat de batterij niet vlak staat. Probeer het apparaat handmatig te bedienen. Als het probleem aanhoudt na de bovengenoemde correcties, neemt u contact op met Mill en vraagt u om een
Het product genereert geen warmte, maar het ontvangende lampje reageert alsof de verwarming is ingeschakeld bij het indrukken van verschillende verwarmingsniveaus op de	Defecte warmtelamp	Breng het product terug naar de winkel waar u het gekocht heeft.
Het product genereert geen warmte en de receiver indicator is niet aan	Defect product	Zorg ervoor dat u items 1-2 hierboven hebt gecontroleerd. Als het probleem aanhoudt, is het product defect. Breng het product terug naar de dealer.


Onderhoud

Het onderhoud is eenvoudig en omvat geen demontage of bewegende delen. Zorg ervoor dat de stroom is uitgeschakeld en dat de verwarming koud is voordat u het product met een droge doek afveegt. Raak de verwarmingslamp niet aan met uw handen of met harde voorwerpen. Gebruik geen schurende of bijtende middelen om de terrasverwarmer te wassen.

Garantie

De garantietermijn is 2 jaar. De kachel zal worden gerepareerd of vervangen in geval van een defect binnen deze periode. De garantie is van kracht wanneer de kachel volgens deze instructies is gebruikt en de klant een aankoopbewijs kan voorleggen. Als de kachel op wat voor manier dan ook niet goed werkt, neem dan contact op met de winkel waar deze is aangekocht.

Afval Management

Het symbool  geeft aan dat dit product moet worden gescheiden van huishoudelijk afval. Dit product moet worden afgeleverd bij een recyclingdienst of in een container voor elektrische apparaten en uitrustingen. Dit om gezondheidsrisico's en milieuschade te vermijden. Lokale handelaren (of de milieudienst bij jou in de buurt) zijn volgens de wet verplicht om dit soort producten aan te nemen en te recyclen, als een manier om dit op een milieuvriendelijk manier te verwerken.

Vermeld bij een klacht aub altijd het serie nummer en voeg de originele aankoopbon toe.

In geval van een klacht, vragen over het product of onderdelen neem contact op met uw dealer of Mill International AS



Mill International AS

Grini Næringspark 10

1361 Østerås

Tlf: +47 22 13 32 00

facebook.com/millheat