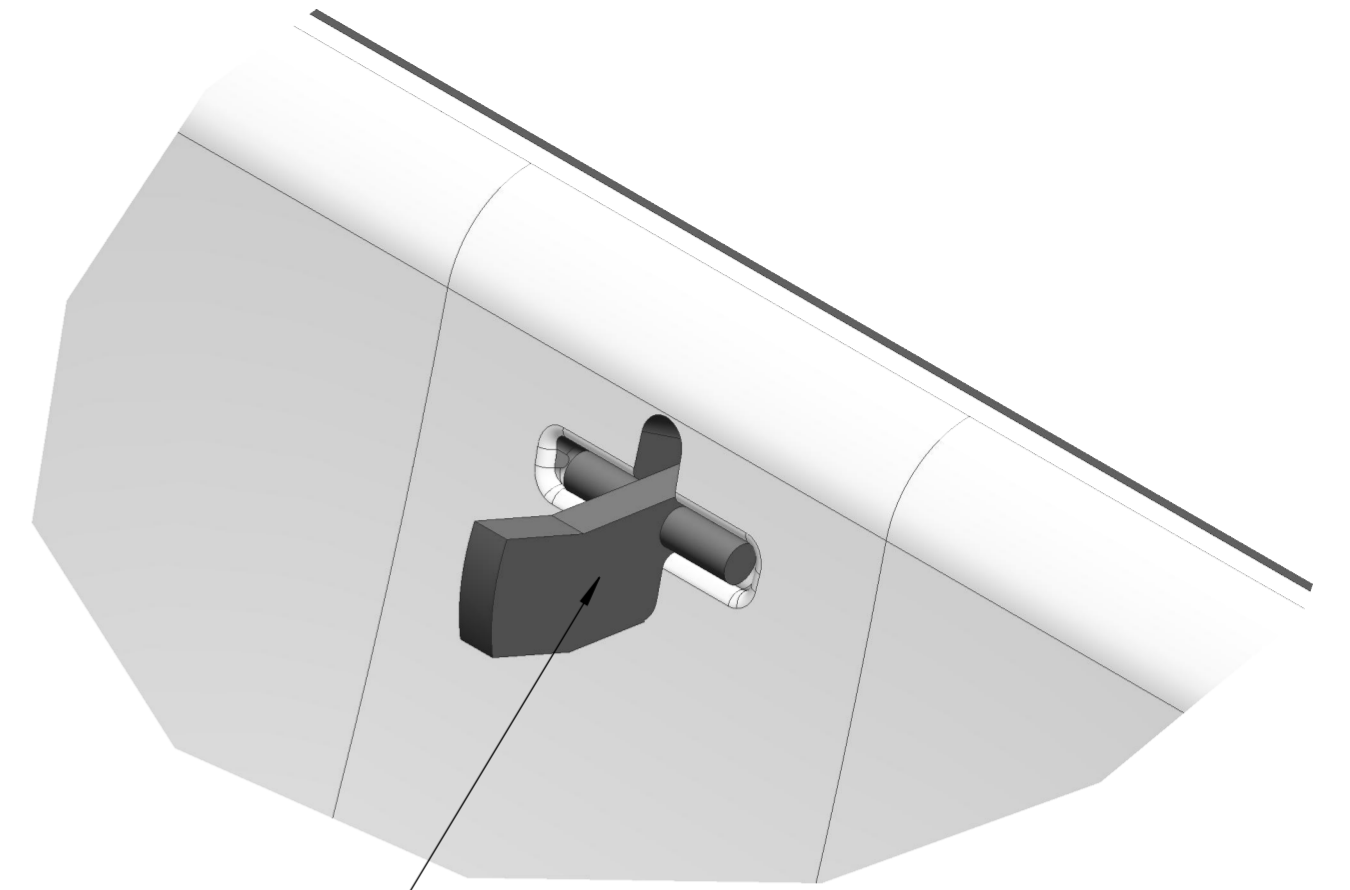
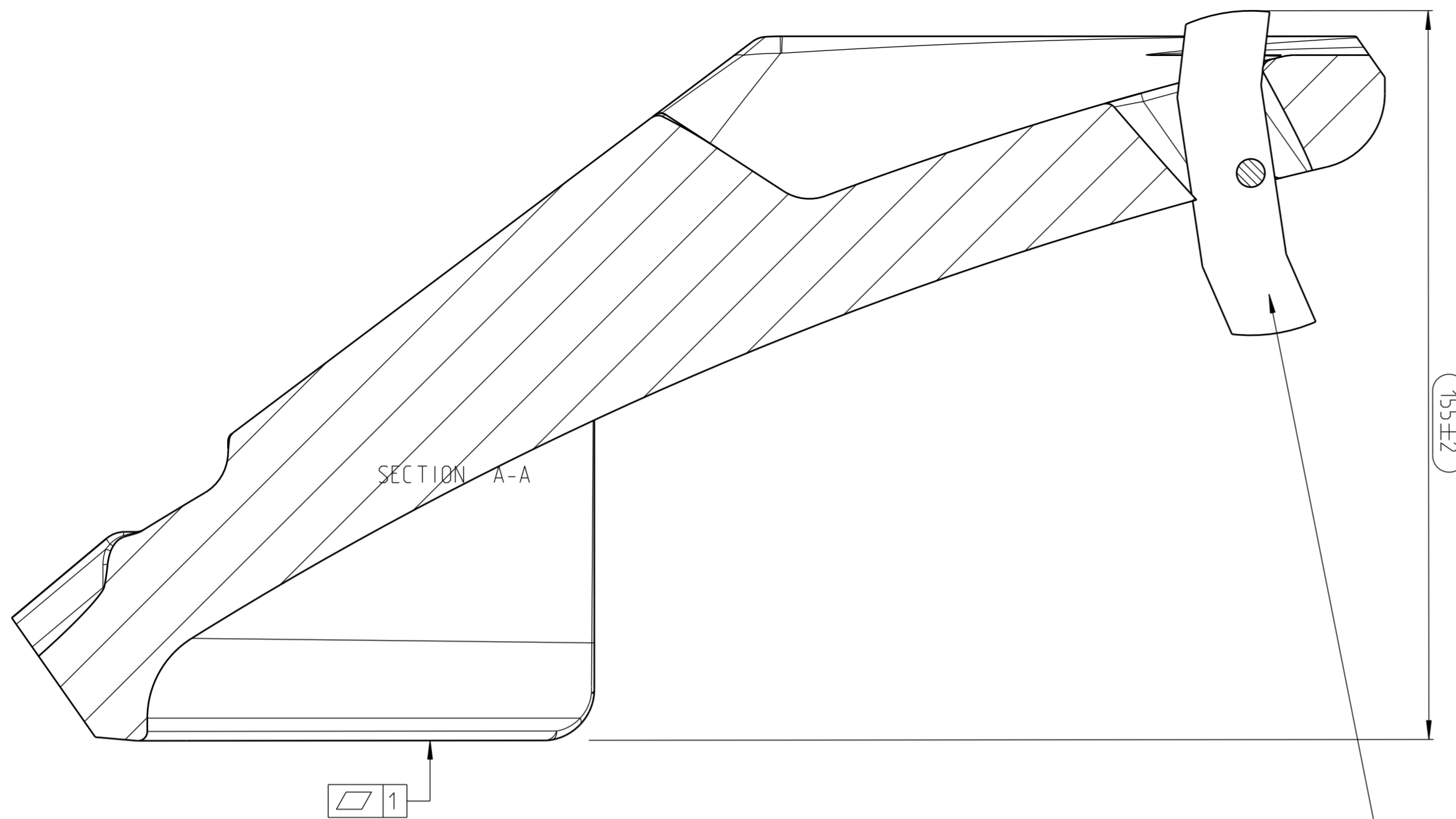
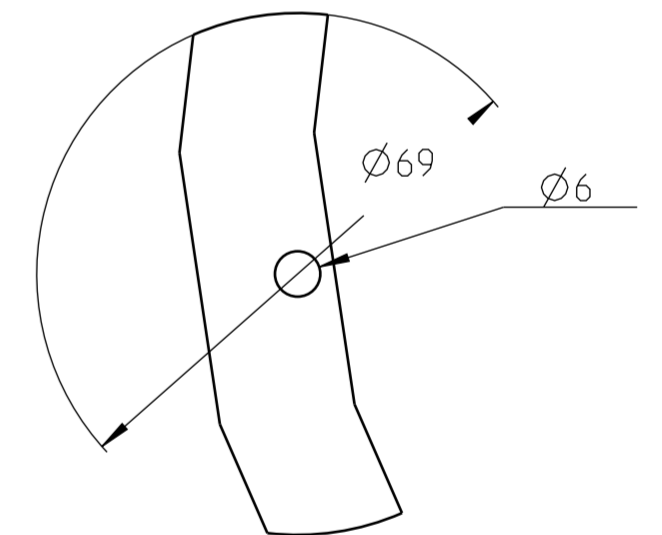
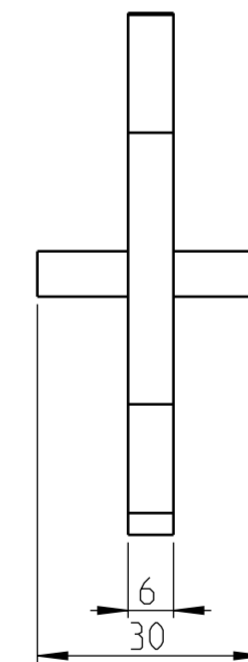
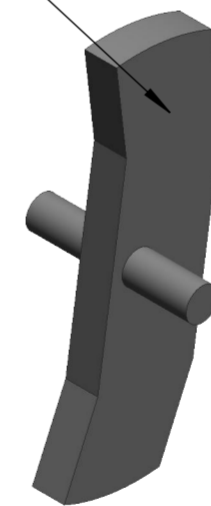
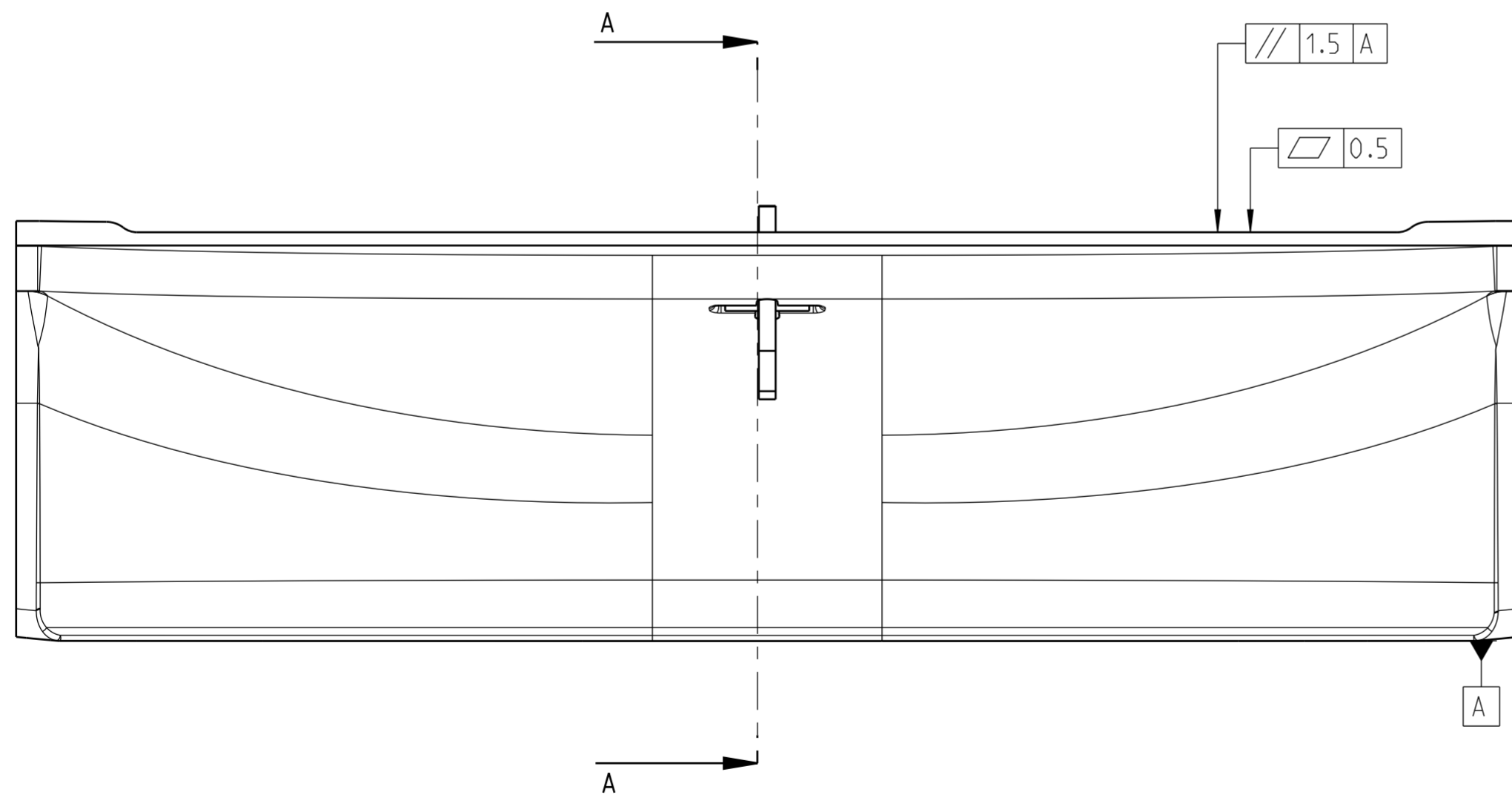


For complete geometry:  
use 3D step-file

10038499		Hvelv Baffle					Vermiculite	v 1100 600kg/m3			
Varenummer Partnumber	Ant. No. of	Gjenstand Partname	Pos.nr Pos.no	Tegn.nr Dwg. no	Rev.	Materiale Material	Merknad Notes				
Toleranser hvor annet ikke er angitt Tolerances where not specified:							I 520	Scale / Size 1:2/A2	Constructed by. Date PH 07.05.12		
medium NS-ISO 2768-1. 1.utg.okt1990							Hvelv		Traced by. Date		
							Baffle		Checked by. Date		
							Katalognr./Catalog.no. 10038499				
P02	28.11.16	DS	6848	 Jøtul AS, P.O.box 1411, N-1602 Fredrikstad, Norway, Tel. +47 69359000 CONFIDENTIAL. This document contains confidential information and is the property of Jøtul AS. No disclosure is permitted without written approval by Jøtul AS. Violation will be prosecuted.					Tegn_nr/drw.no	Revision	Side/Page
P01	17.4.13	T.A.	6388						10038499	P02	1 of 2
Rev	Dato	Rev.by	Endr.mel.								



Gauge  
Created by Jøtul



SCALE 1:2

10038499		Hvelv Baffle					Vermiculite	v 1100 600kg/m3	
Varenummer Partnumber	Ant. No. of	Gjenstand Partname	Pos.nr Pos.no	Tegn.nr Dwg. no	Rev.	Materiale Material	Merknad Notes		
Toleranser hvor annet ikke er angitt Tolerances where not specified:							I 520	Scale / Size 1:1/A2	Constructed by. Date PH 07.05.12
medium NS-ISO 2768-1. 1.utg.okt1990							Hvelv		Traced by. Date
							Baffle		Checked by. Date
								Katalognr./Catalog.no.	
								10038499	
P02	28.11.16	DS	6848				Tegn_nr/drw.no	Revision	Side/Page
P01	17.4.13	T.A.	6388				10038499	P02	2 of 2
Rev	Dato	Rev.by	Endr.mel.				<small>Jøtul AS. P.O.box 1411, N-1602 Fredrikstad, Norway. Tel +47 69359000 CONFIDENTIAL. This document contains confidential information and is the property of Jøtul AS No disclosure is permitted without written approval by Jøtul AS. Violation will be prosecuted</small>		