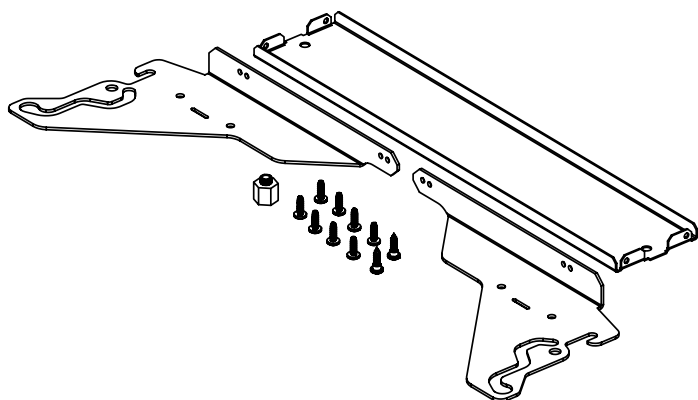


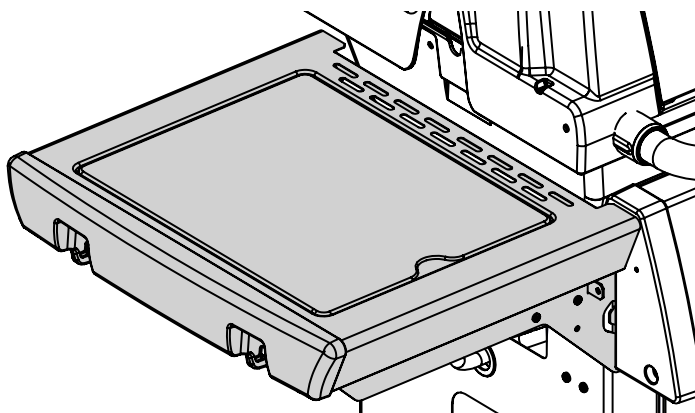
Broil King®

INFRARED SIDE BURNER

18679 SHELF CONVERSION BRACKET KIT

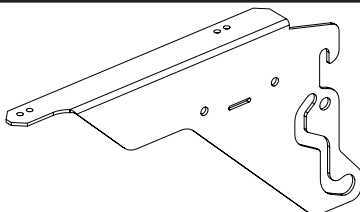


For Use With
Broil King® Signet™
Broil King® Monarch™
Broil King® Royal™



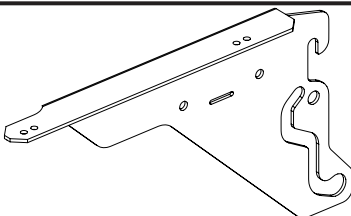
PARTS INCLUDED

11184-E46



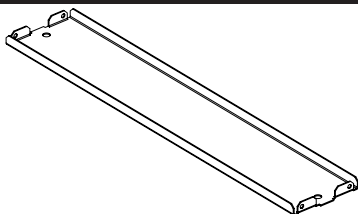
(1)

11184-E47



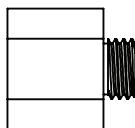
(1)

10184-E72



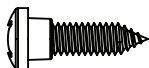
(1)

10153-62



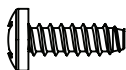
(1)

Y-12641



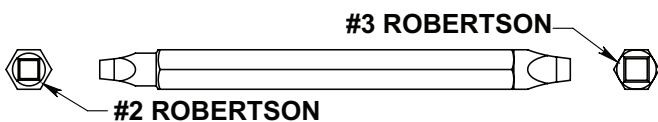
(2)

S21124



(8)

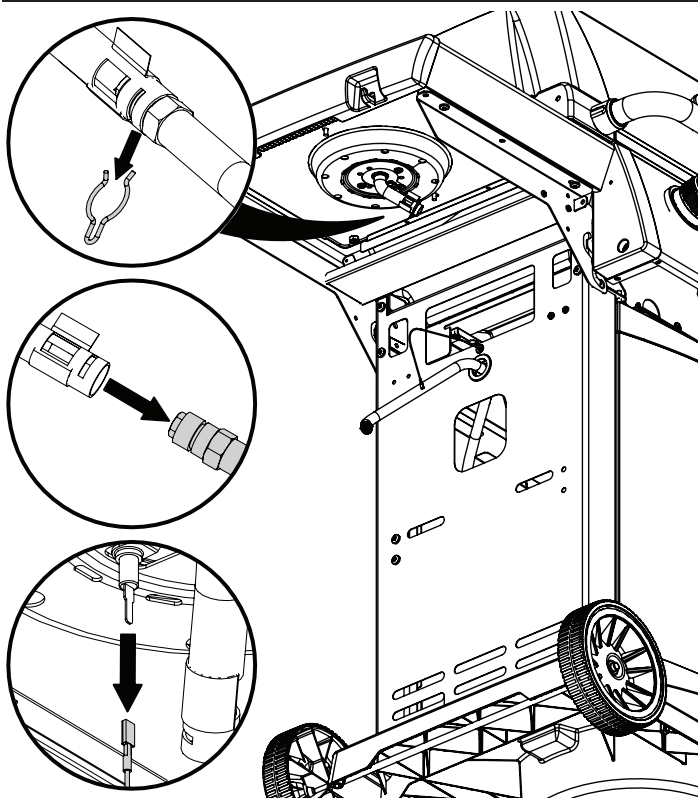
TOOLS REQUIRED



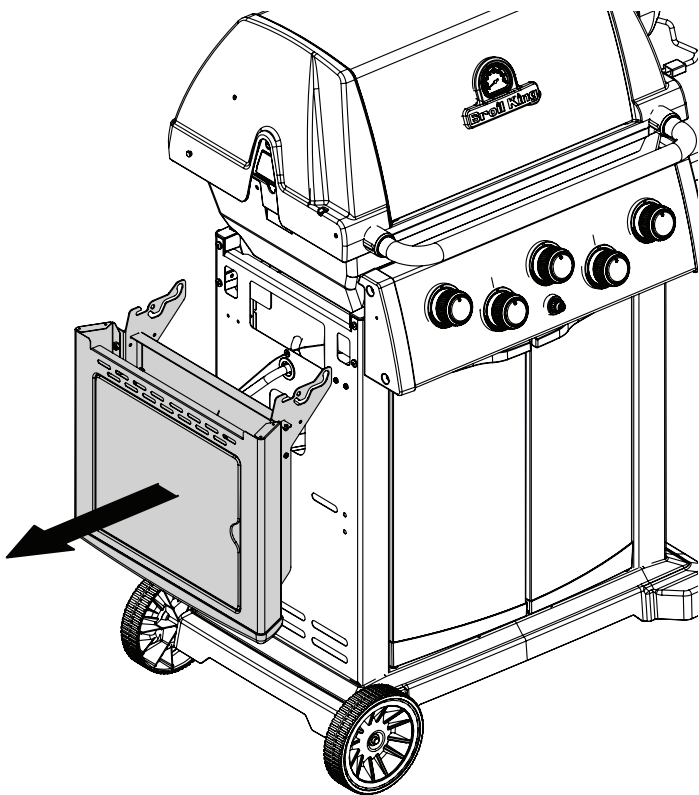
#3 ROBERTSON

#2 ROBERTSON

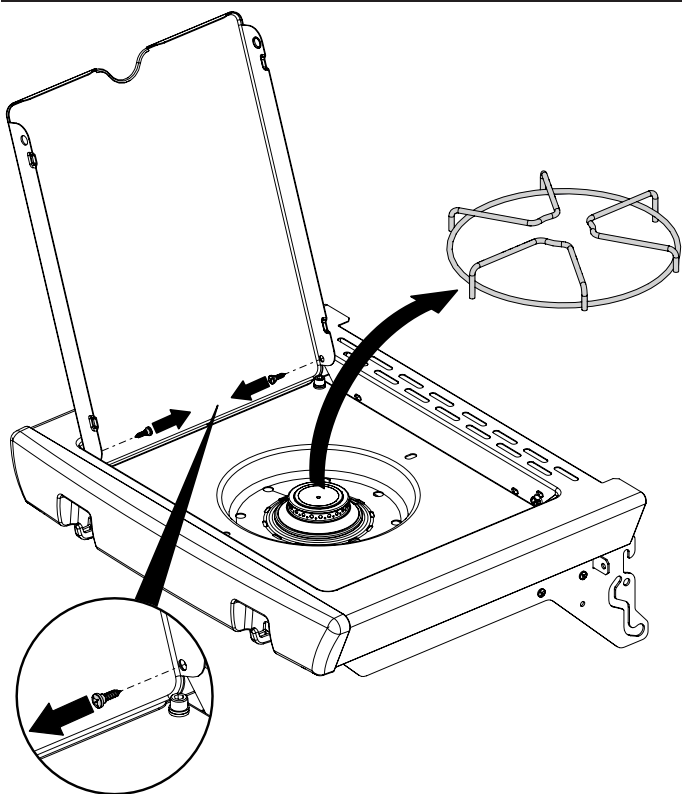
1



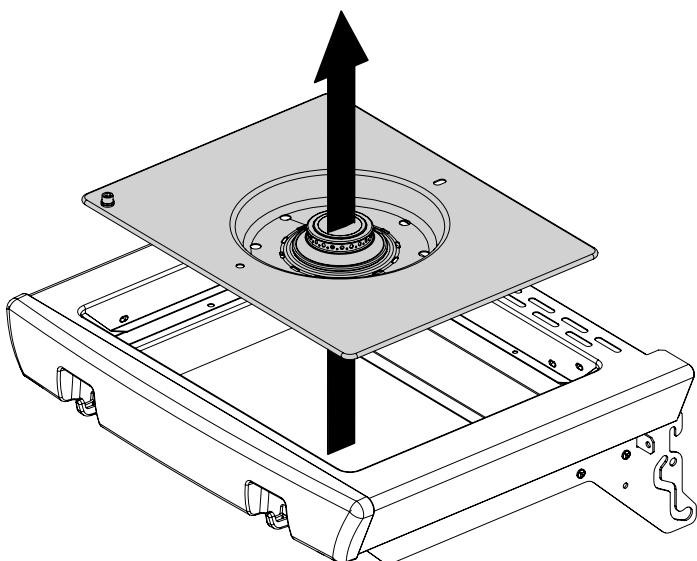
2



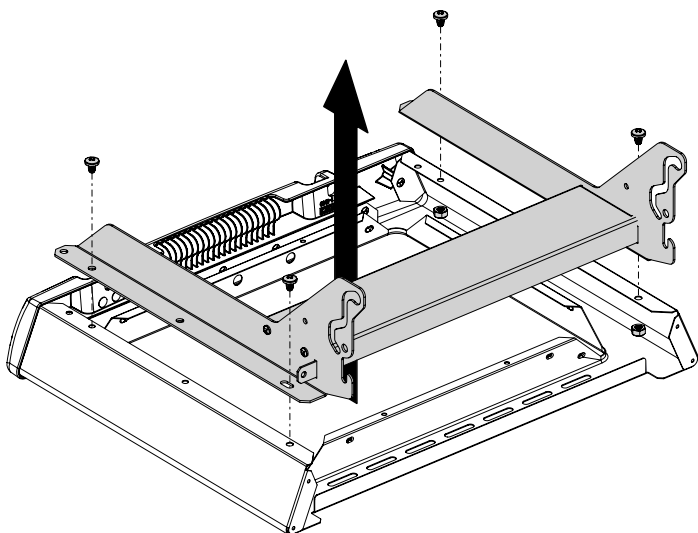
3



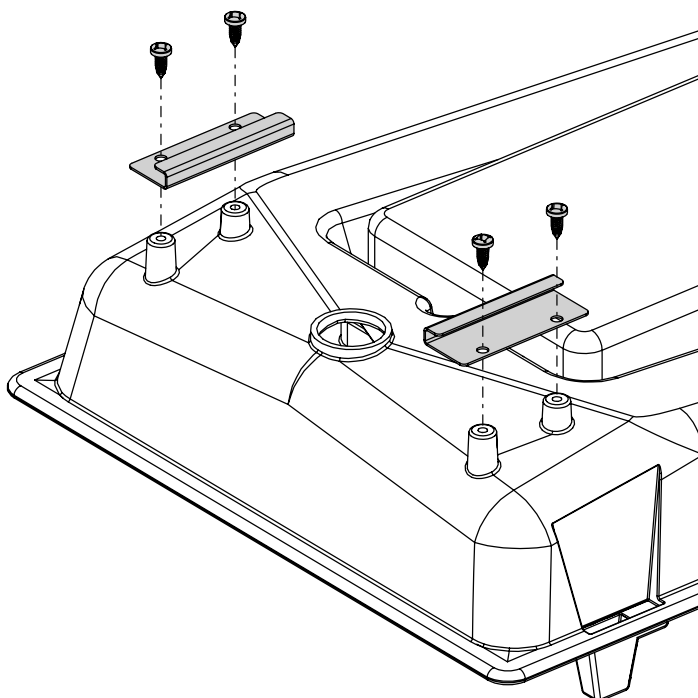
4



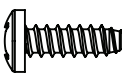
5

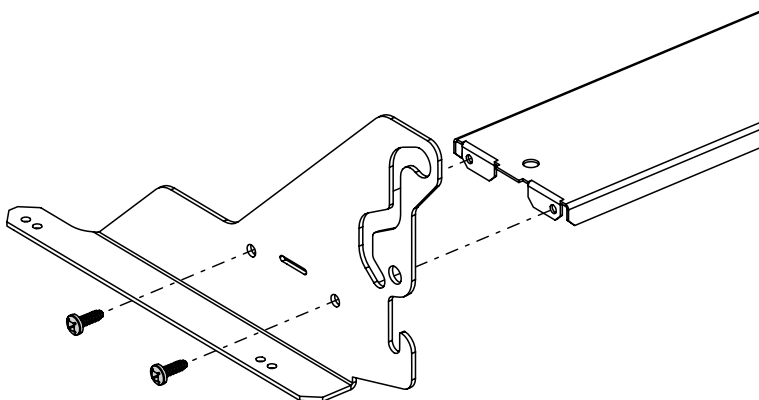


6

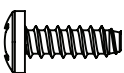


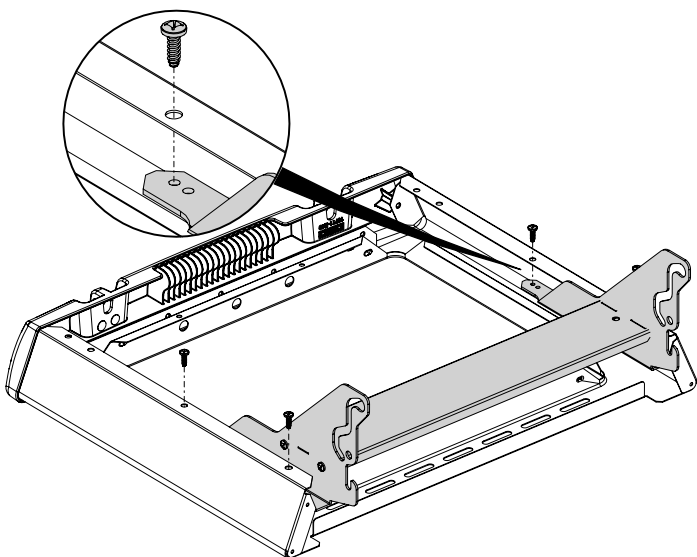
7

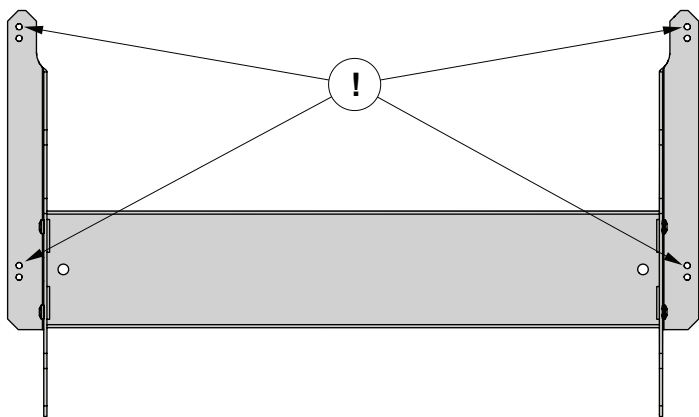
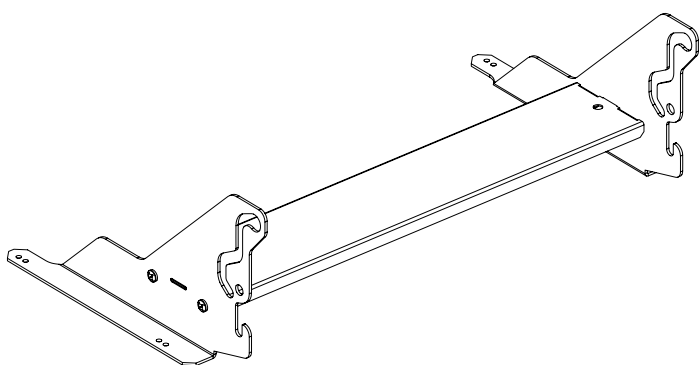
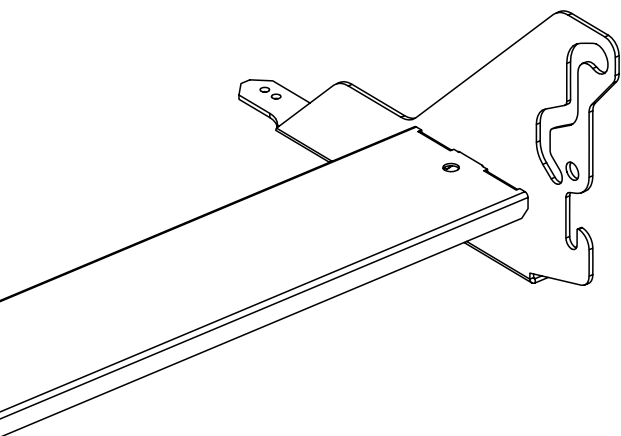
(4) 



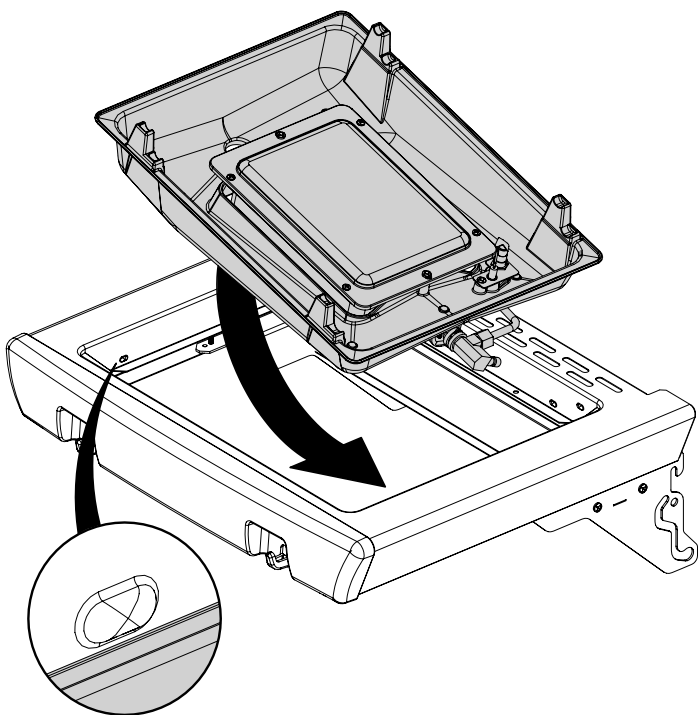
8

(4) 

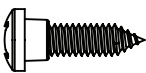


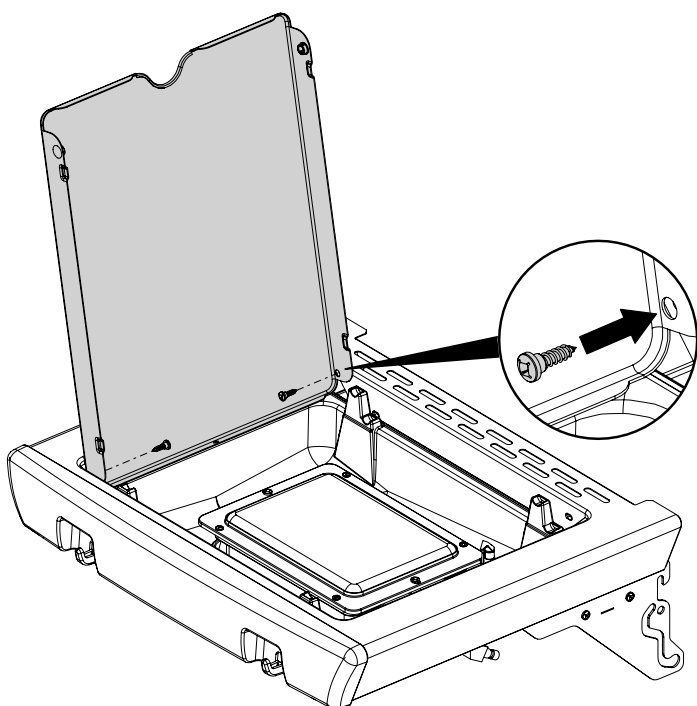


9

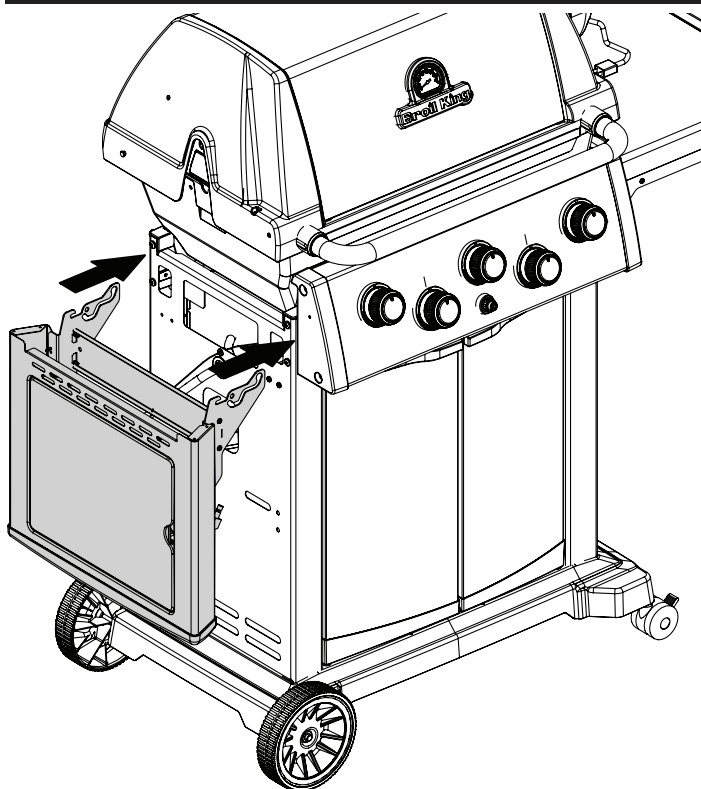


10

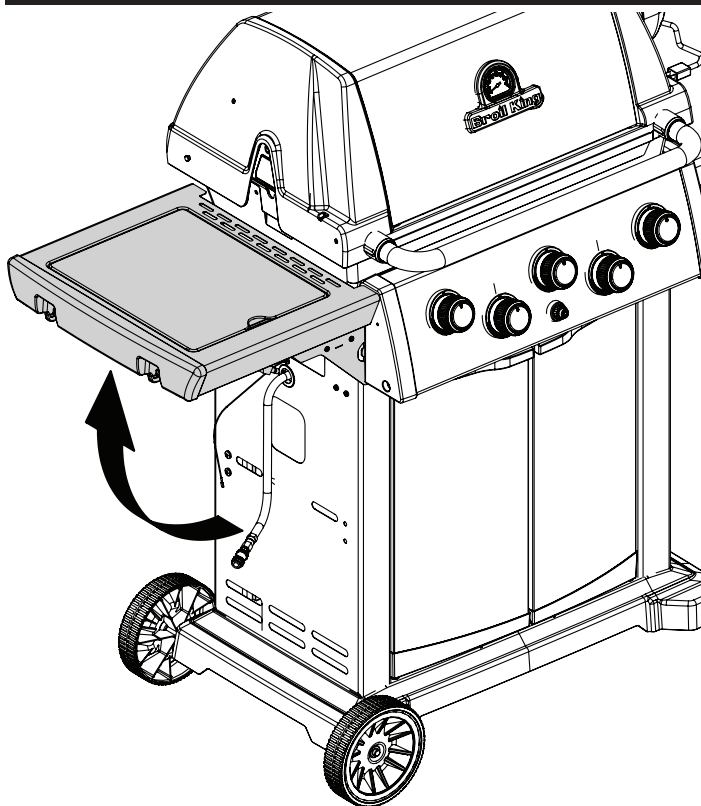
(2) 

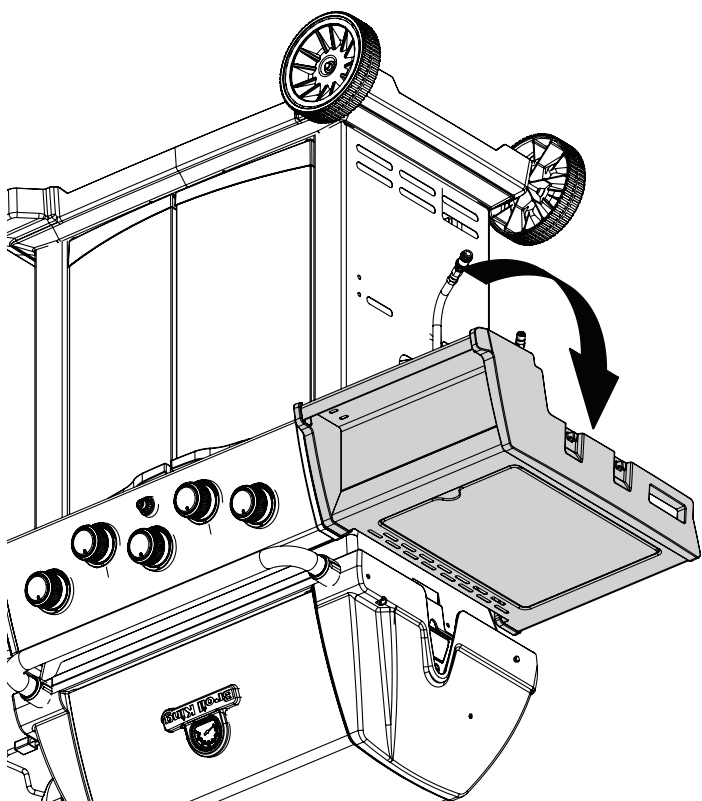


11

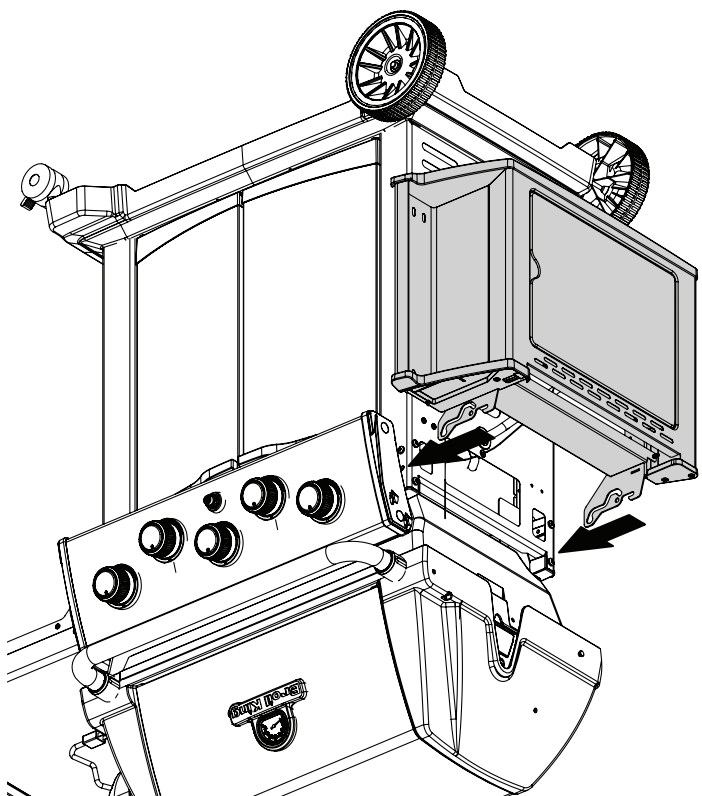


12

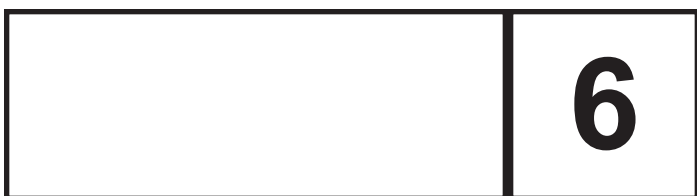
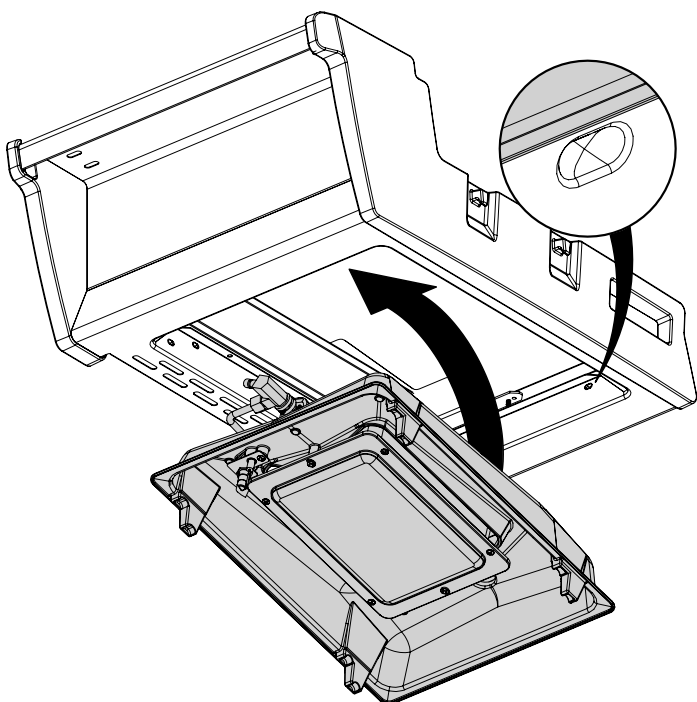
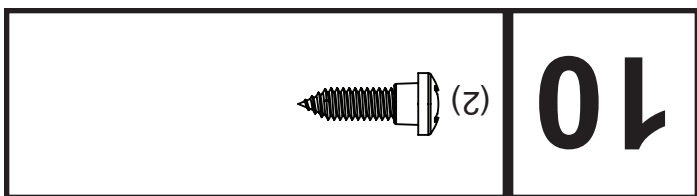
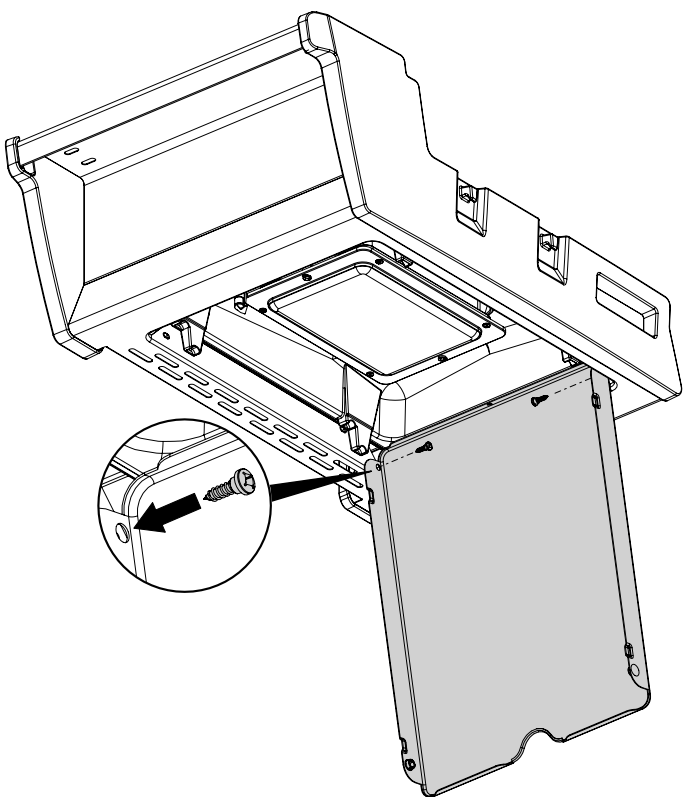


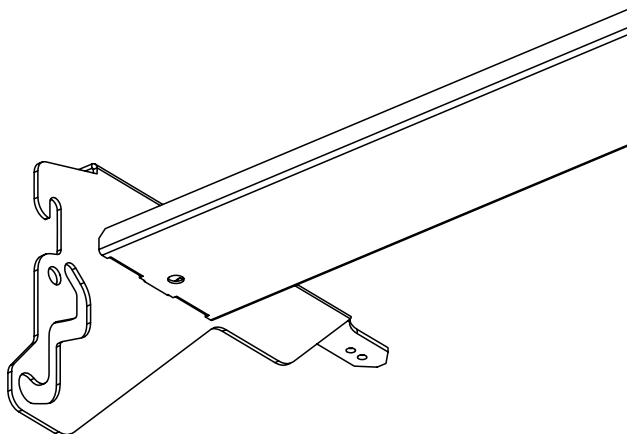
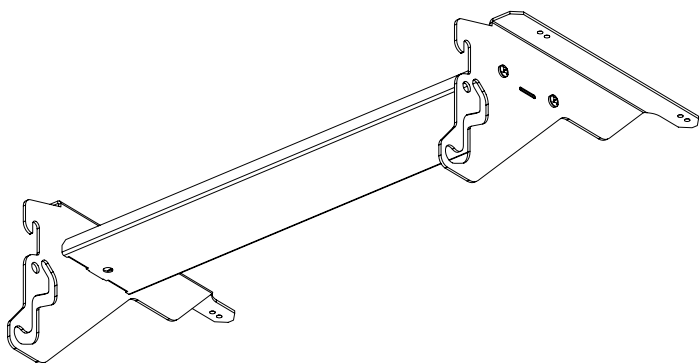
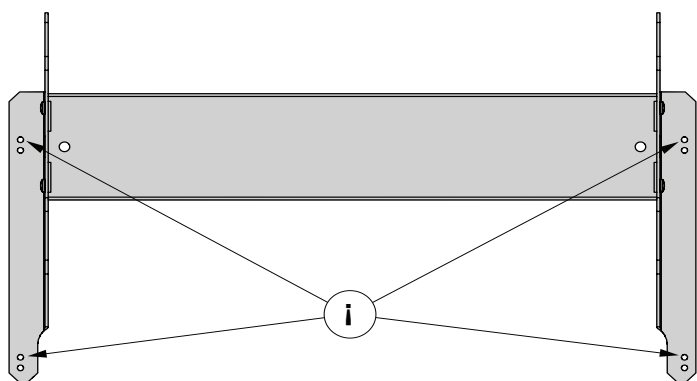


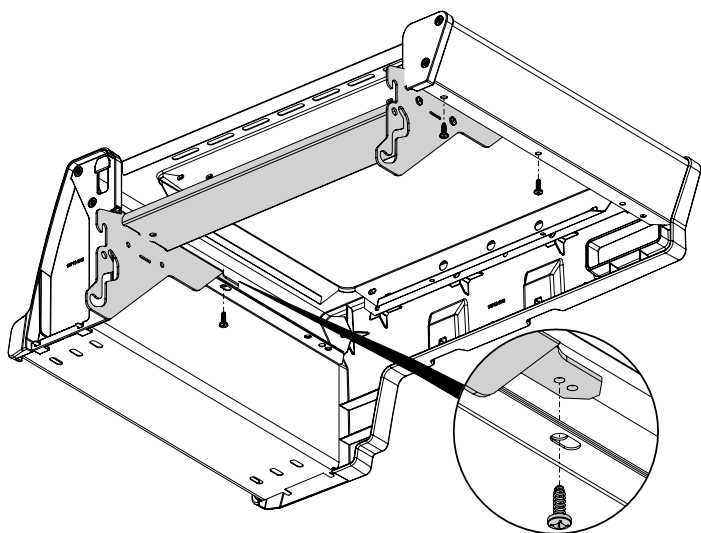
12



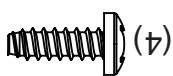
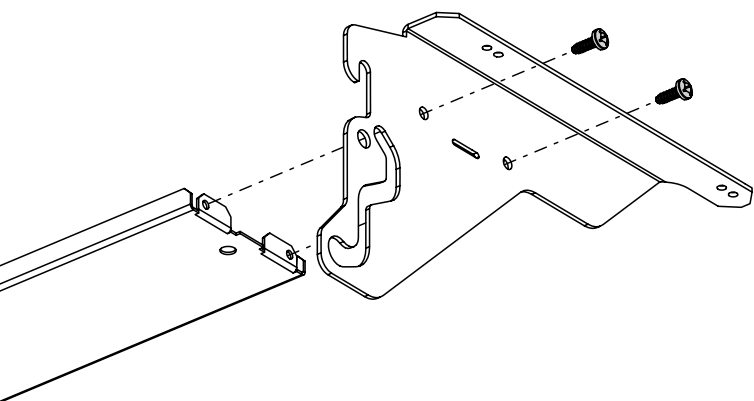
11



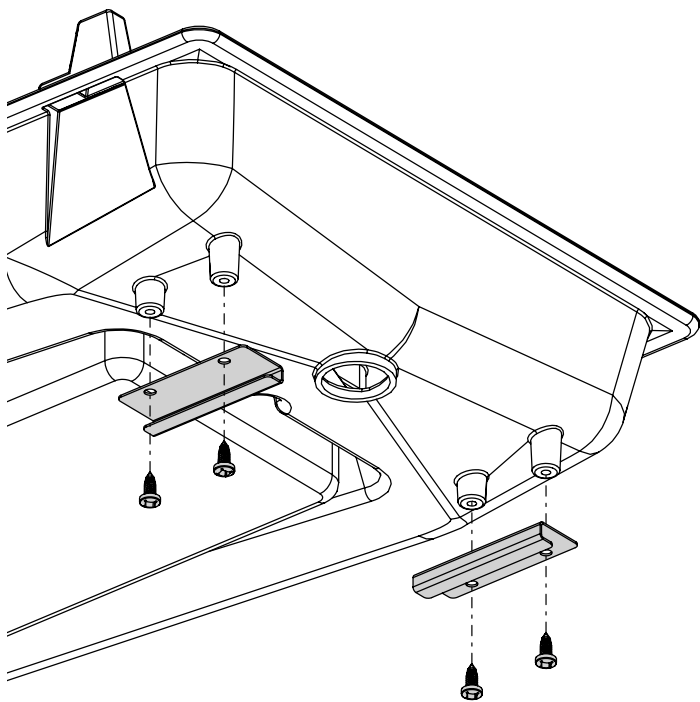




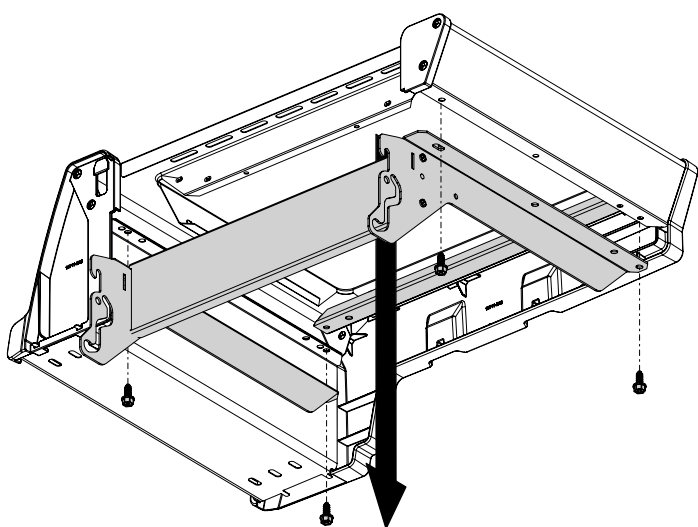
8



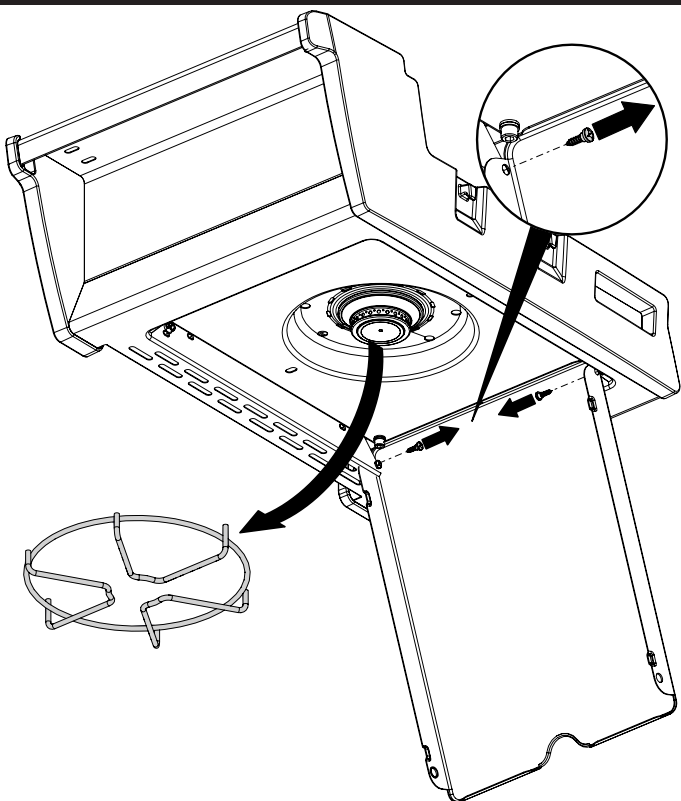
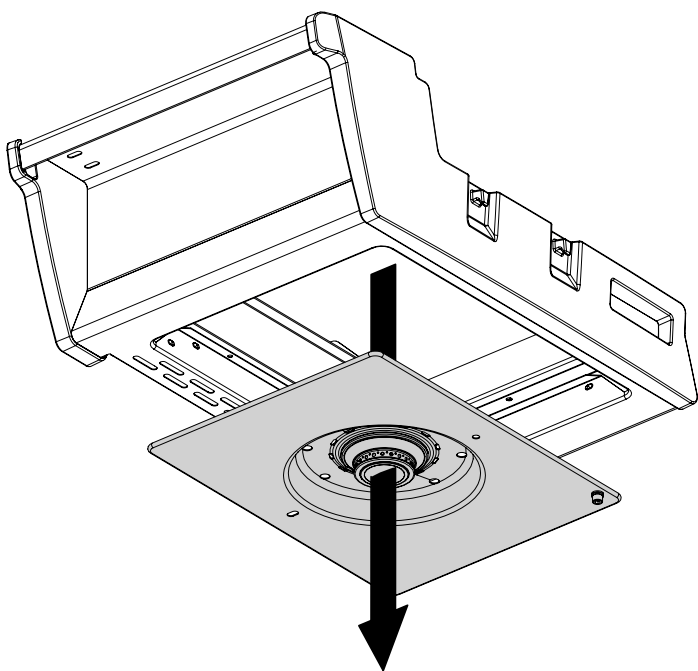
7

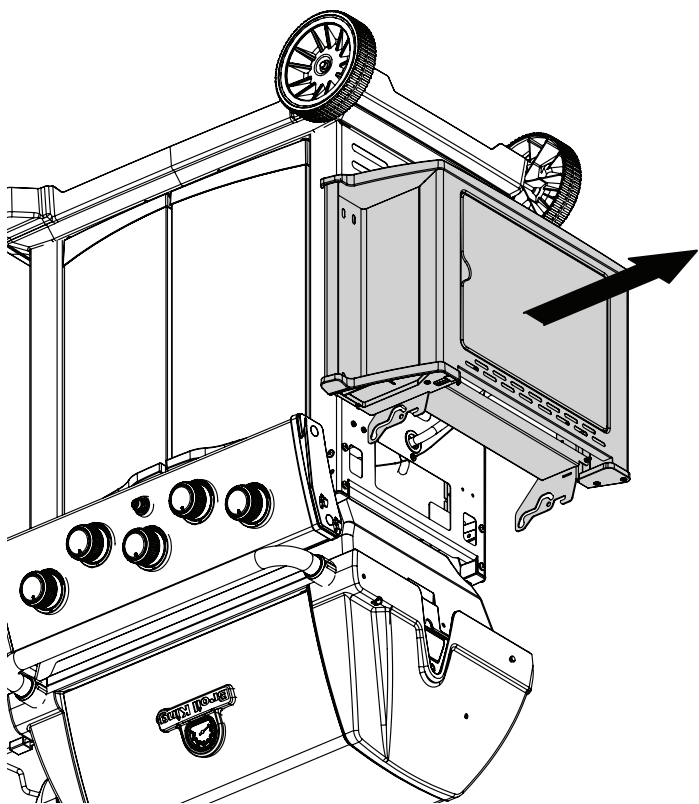


9

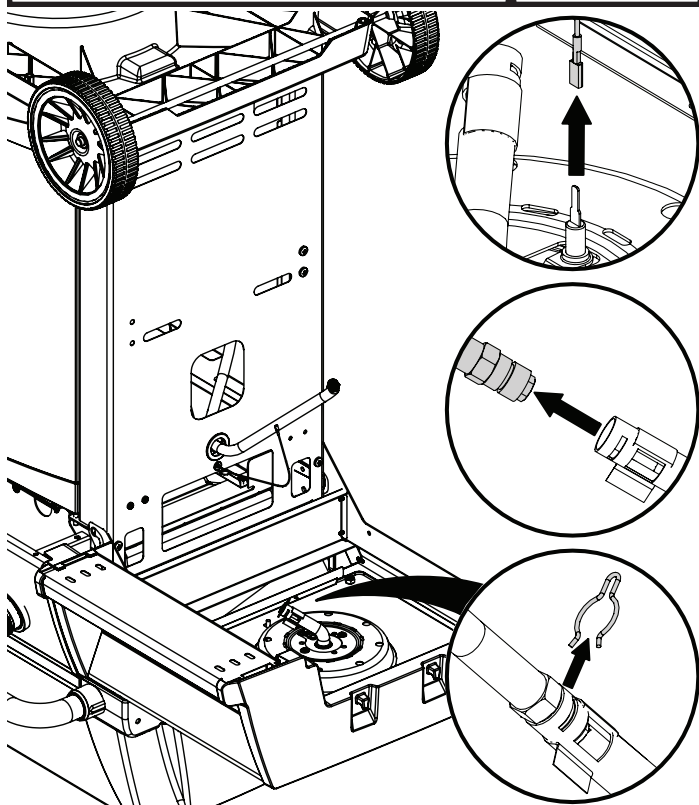


5



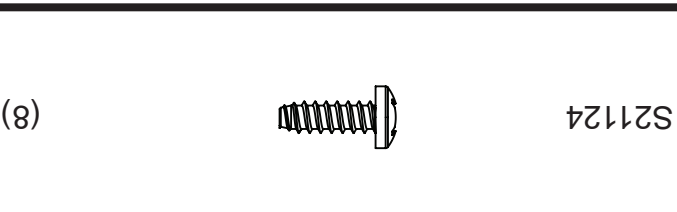
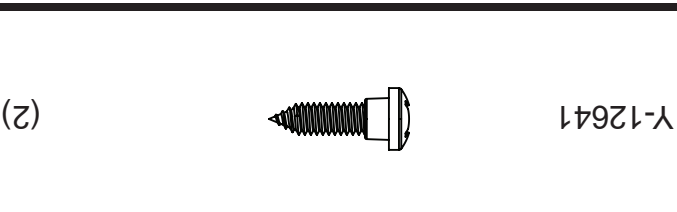
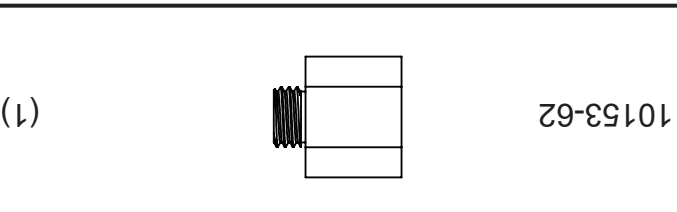
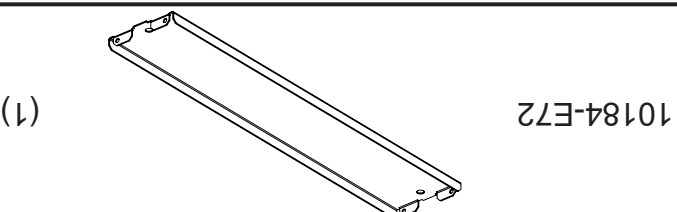
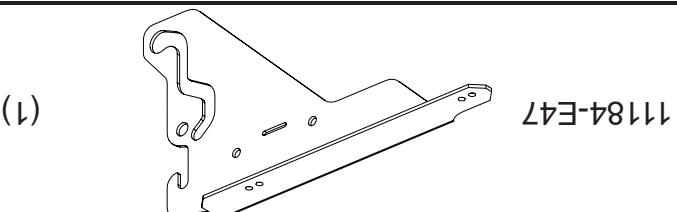
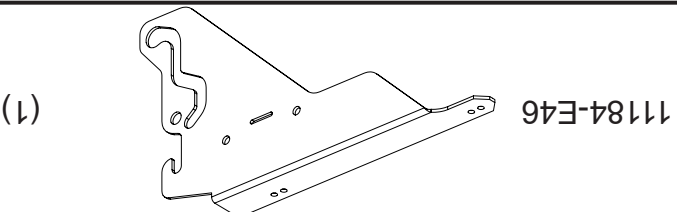


2

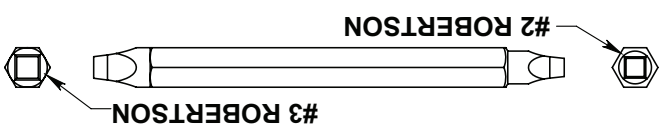


↓

PARTS INCLUDED

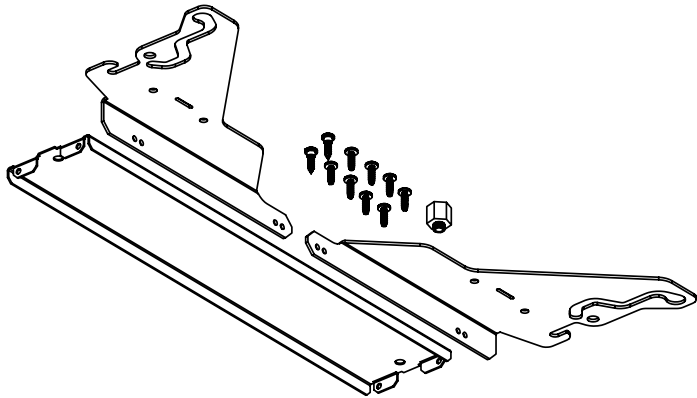


TOOLS REQUIRED



Broil King® INFRARED SIDE BURNER

18679 SHELF CONVERSION BRACKET KIT



For Use With
Broil King® Sovereign™
Broil King® Signet™
Broil King® Monarch™

