

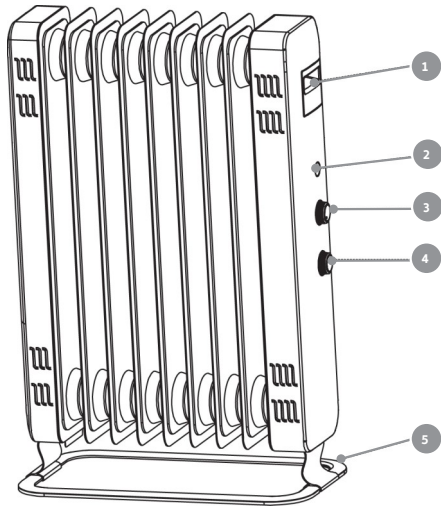


Oil Illustrations

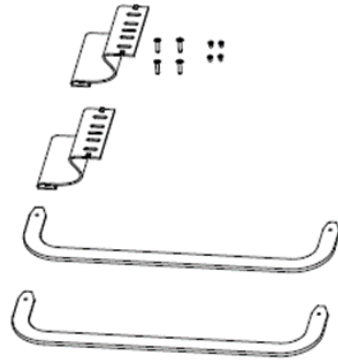
mill®



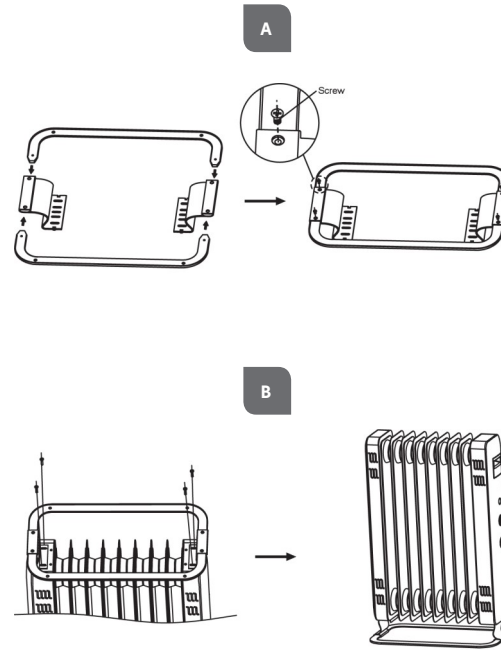
1. DESCRIPTION OF THE HEATER



2. PARTS



3. ASSEMBLY



4. CONTROL PANEL

