

INSTRUCTION FOR USE AND MAINTANANCE

GEARBOX SET 1:20 Telescopic bar

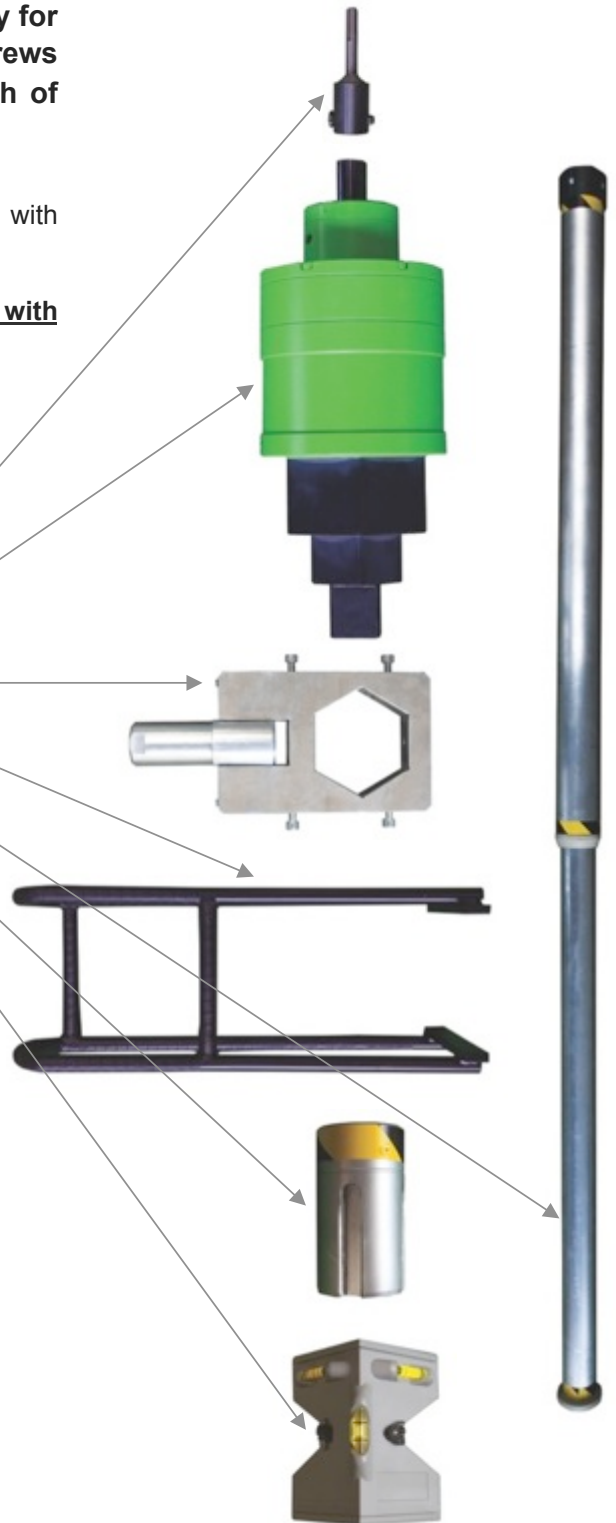
Gearbox set 1:20 Telescopic bar is made only for the installation of BAYO.S DIY Ground Screws into naturally compacted soil until the depth of 1000mm.

The gearbox can be used with any SDS Plus drill with torsion moment up to 50Nm.

The gearbox (tool hereinafter) can never be used with a drilling machine with hammer function.

CONTENT OF THE PACKAGE:

No.	Product	Name
1	59103	OUTPUT SDS PLUS 1:20-150
2	59105	GEARBOX SQ 1:20
3	59107	BASEPLATE 1:20
4	59109	HANDLEBAR 1:20
5	59108	TELESCOPI BAR 1:20
6	by choice	DRILLING HEAD SQ 1:20
7	30013	TRIANGLE SPIRIT LEVEL



INSTRUCTION FOR USE AND MAINTANANCE

GEARBOX SET 1:20 Telescopic bar

1. GENERAL INSTRUCTION

USE OF THE INSTRUCTION

This instruction is part of the tool and contains important instruction for use and maintenance of the tool. The instruction must be read by any person that assembles, uses or executes maintenance of the tool. The instruction must always be present and in readable condition.

WARRANTY CLAIM

Following the instruction is required for failure-free usage of the product and for potential enforcement of any warranty claims. The instruction must always be read before any usage of the tool.

EXCLUSION FROM WARRANTY

Following the instruction is fundamental for safe usage of the tool and to achieve stated characteristics of the product. BAYO.S SE doesn't take any responsibility for any damage caused by not following the instruction.

COPYRIGHT

All rights are reserved. Any – even partial – reproduction of the instruction is prohibited.

PRODUCT NAME AND TRADEMARK

Logos and names of the products in the instruction are trademarks or registered trademarks that belong to corresponding authors.

2. SAFETY WARNING

Following safety instruction serves to prevent from injuries and property damage. The operator must guarantee the fulfillment of safety instruction. All persons responsible for the function of the facility and all persons that work at their own risk on the facility must completely read and understood the instruction. In case of any unclarity, or demand for more information, please contact BAYO.S SE (www.bayo-s.com)

SPECIFIC SAFETY RULES

- a. Use adequate protective equipment
- b. Lose control of the gearbox can cause injury
- c. Don't use the machines in places where the ground screw can get in contact with electric voltage. If the ground screw gets in contact with electric voltage it might connect the voltage into unprotected parts of any used tools and the might cause injury of the operator.
- d. Don't use the tool if the isolation of the grip is damaged
- e. Always pay attention that there always is a solid support for arms and legs of the operator. If you work in heights, pay attention that there is no person underneath the operator
- f. Always hold the tool strong
- g. Don't put your hands close to the rotating part of the tool
- h. Don't leave the tool on without attention
- i. When manipulation with the tool always follow the rules about manipulation with heavy weight



INSTRUCTION FOR USE AND MAINTANANCE

GEARBOX SET 1:20 Telescopic bar

3. DESCRIPTION OF THE FUNCTION AND USAGE OF THE TOOL

GEARBOX SET 1:20 Telescopic bar is only made for the installation of the BAYO.S DIY Ground Screws until the maximum depth of the soil 1000 mm. For powering of the gearbox set 1:20 any SDS Plus drill with 50 Nm torsion moment can be used. *The gearbox set 1:20 can never be used with a drilling machine with hammer function.*

4. DESCRIPTION OF THE PARTS OF THE TOOL AND TECHNICAL DATA

GEARBOX SQ 1:20

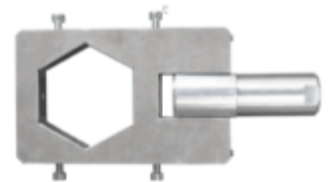
Every transmission has identification label with identification data that needs to be communicated to the dealer during any respective communication. If the identification label gets damaged it is necessary to request new identification label according to serial number.

No. of the product	59105
Weight	5700g
Max. dimension	205 x 96 mm
Used material	Alloyed steel
Oil filling	Transmission oil MOGUL OHSP
Noise	0dB



BASEPLATE 1:20

No. of the product	59107
Weight	3000g
Max. dimension	120 x 280 x 54 mm
Used material	Alloy AW 7075



HANDLEBAR 1:20

No. of the product	59109
Weight	2300g
Max. dimension	405 x 180 x 200 mm
Used material	Steel 11373, 11353



TELESCOPIC BAR 1:20


No. of the product	59108
Weight	6600g
Max. dimension	60 x 1210 – 2240 mm
Used material	Alloy AW 6062



INSTRUCTION FOR USE AND MAINTANANCE

GEARBOX SET 1:20 Telescopic bar

SDS PLUS OUTPUT

No. of the product	59103	
Weight	150g	
Max. dimension	85 x 25 mm	
Used material	Hardered steel	

DRILLING HEAD SQ 1:20

No. of the product	by choice	
Weight	by choice	
Max. dimension	by choice	
Used material	Steel 15142 , galvanized	

TRIANGLE SPIRIT LEVEL

No. of the product	30013	
Weight	200g	
Max. dimension	130x190 mm	
Used material	Plastic	

5. TRANSPORT AND MANIPULATION

During the transportation it is necessary to protect the tool from any shocks, turning around and falling. It is necessary to abide by all valid regulations when manipulating regarding manipulation of heavy weights with the tools.

6. PREPARATION FOR THE INSTALLATION

INSPECTION OF ALL PARTS

Control visually the condition of all parts, remove dust and dirt. In case of leakage of the lubricant from the transmission or any damage stop all work and continue according to point 10 in this instruction.

COMPLETATION OF THE PARTS

The connection of the transmission with the SDS PLUS OUTPUT has to be always secured with safety pin (on the SDS PLUS output) and the transmission with the drilling head with bolt M8 (on the drilling head). All parts of the set has to be in the same axis.

INSTRUCTION FOR USE AND MAINTANANCE

GEARBOX SET 1:20 Telescopic bar

COMPLETION OF THE PARTS STEP BY STEP:



1. Fix the handlebar⁽⁴⁾ to the baseplate with joint⁽³⁾ using the M8 bolt at four points and tighten.



2. Place the SDS OUTPUT⁽¹⁾ on the top part of the transmission⁽²⁾ and secure it with the safety pin.



3. Secure the safety pin with the split pin.



4. Place gearbox 1:20⁽²⁾ into the baseplate⁽³⁾, secure using the M8 bolt and tighten.



5. Attach the drilling head⁽⁶⁾ to the hexagonal extension of the transmission⁽²⁾, secure using the M8 bolt and tighten.



6. Attach the telescopic bar⁽⁵⁾ to the joint of the baseplate⁽³⁾, secure it with the M8 bolt and tighten.

7. Check all joints. All parts of the set has to be in the same axis.

INSTRUCTION FOR USE AND MAINTANANCE

GEARBOX SET 1:20 Telescopic bar

7. WORK WITH THE TOOL

- Control visually the condition of the tool, remove all dirt. In case of any leakage of the lubricant from the transmission or any damage stop all work and continue according to point 10 in this instruction.
- Insert the drill on the SDS PLUS OUTPUT ⁽¹⁾
- Put the drilling head into the BAYO.S ground screw. The grooves of the drilling head must fit into the ground screw ^(pic 1.)
- Connect the triangle spirit level ⁽⁶⁾ to the ground screw.
- Verify that all parts of the set are in the same axis.
- Bring the whole set to the drilling site.
- Secure the telescopic bar against rotation. The direction of motion is leftwards. Lean it against a tree, car, building, drilled ground screw or some other solid support! ^(pic 2.)
- Lift the whole set by leaning it on the top of the screw ^(pic 3.)
- The verticality of the screw can only be adjusted by using the handlebar 59109. NEVER adjust the position by pushing or pressing on the drill – the SDS PLUS OUTPUT can be broken.
- Make sure that the telescopic bar is well secured against rotation.
- Start using the drilling machine – following the manufacturer's instructions ^(pic 4.)



Pic 1.



Pic 2.



Pic 3.



Pic 4.

INSTRUCTION FOR USE AND MAINTANANCE

GEARBOX SET 1:20 Telescopic bar

8. MAINANANCE AFTER WORK

Disassemble the tool after work and clean and dry the individual parts. Store them in accordance with par. 9.

9. STORAGE

Storage space must be dust-free, dry and without vibrations. The temperature of the storage space must be between 0-30 °C. If you don't use the transmission it is recommendable to turn it minim by one revolution every 3-4 months.

10. WARRANTY PERIOD AND WARRANTY TERMS

WARRANTY PERIOD: BAYO.S SE provides a warranty for the purchased product for a period of 2 years from the date of purchase. The company will repair the product free of charge during the warranty period subject to compliance with the warranty terms.

WARRANTY TERMS:

- A. Carefully consider what you expect in terms of the product's functionalities and operation before purchasing it. The product cannot be claimed for not meeting your additional technical requirements.
- B. In the case of warranty claims, the product must be delivered clean, free of dust or dirt and provided with packaging to prevent damage in transit. To ensure the defect can be accurately diagnosed and removed completely, send the product together with its original accessories.
- C. The service centre is not liable for any damage caused by the carrier.
- D. The service centre is also not liable for any accessories sent that are not part of the basic equipment. This does not apply if the accessories cannot be removed due to a defect of the product.
- E. The warranty covers exclusively defects caused by a defect of material, production assembly or processing technology.
- F. This warranty is without prejudice, and is provided in addition to, statutory rights.
- G. Only the manufacturer of BAYO.S tools may perform warranty repairs.
- H. The manufacturer is responsible for ensuring that the product has the characteristics and parameters set out in the technical data throughout the warranty period, subject to observance of the instructions for use. At the same time, the manufacturer reserves the right to design alterations without prior notice.

THE ENTITLEMENT TO WARRANTY SHALL EXPIRE IF:

- a. the product has not been used and maintained according to the operating instructions.
- b. any alteration of the machine's design has been made without the prior written permission from BAYO.S SE.
- c. the product has been used under conditions or for purposes other than those for which it is intended.
- d. a component part of the product has been replaced by a non-original component.
- e. the product has been damaged or subjected to excessive wear due to insufficient maintenance.
- f. the product has been involved in an accident or has been damaged by force majeure.
- g. the product has been damaged due to external mechanical, thermal or chemical effects.
- h. defects have been caused by inappropriate storage or handling of the product.
- i. the product has been used in an aggressive environment (for the relevant type of product), e.g. dust, moisture.
- j. the permissible load on the product has been exceeded.
- k. the warranty certificate, instructions or purchase receipt has been forged in any manner whatsoever.
- l. the manufacturer is not liable for defects of the product caused by normal wear and tear or by the product being used for purposes other than those for which it is intended.
- m. the warranty does not cover items that can be subject to wear and tear in normal operation (e.g. varnish, joining material, etc.)
- n. the provision of the warranty is without prejudice to the purchaser's rights to which the purchased item is subject under special legal regulations.

INSTRUCTION FOR USE AND MAINTANANCE

GEARBOX SET 1:20 Telescopic bar

11. WARRANTY AND POST-WARRANTY SERVICE

Warranty and post-warranty service will be arranged by the supplier/importer in your area/country. For a list of them please visit www.bayo-s.com.

12. LIQUIDATION

After the lifetime of the transmission it can only be liquidated according to local regulations and laws on waste and liquidation of oil products in order not to endanger any persons or environment.

Producer:

BAYO.S SE
Ocelářská 1354/35, 19000 Prague 9, Czech Republic
TAX ID: 01875744

Office/shipping address:

BAYO.S SE
Týmlova 229/14, 14000 Prague 4, Czech Republic
Phone: +420 724 153 518, info@bayo-s.com