

RYOBI® EXPAND-IT™ ATTACHMENTS

RXPR01

ORIGINAL INSTRUCTIONS
TRADUCTION DES INSTRUCTIONS ORIGINALES
ÜBERSETZUNG DER ORIGINALANLEITUNG
TRADUCCIÓN DE LAS INSTRUCCIONES ORIGINALES
TRADUZIONE DELLE ISTRUZIONI ORIGINALI
VERTALING VAN DE ORIGINELE INSTRUCTIES
TRADUÇÃO DAS INSTRUÇÕES ORIGINAIS
OVERSÆTTELSE AF DE ORIGINALE INSTRUKTIONER
ÖVERSÄTTNING AV DE URSPRUNGLIGA INSTRUKTIONERNA
ALKUPERÄISTEN OHJEIDEN SUOMENNO
OVERSETTELSE AV DE ORIGINALE INSTRUKSJONENE
ПЕРЕВОД ОРИГИНАЛЬНЫХ ИНСТРУКЦИЙ
TŁUMACZENIE INSTRUKCJI ORYGINALNEJ
PŘEKLAD ORIGINÁLNÍCH POKYNŮ
AZ EREDETI ÚTMUTATÓ FORDÍTÁSA
TRADUCEREA INSTRUCȚIUNILOR ORIGINALE
TULKOTS NO ORIGINĀLĀS INSTRUKCIJAS
ORIGINALIŲ INSTRUKCIJŲ VERTIMAS
ORIGINAALJUHENDI TÕLGE
PRIJEVOD ORIGINALNIH UPUTA
PREVOD ORIGINALNIH NAVODIL
PREKLAD ORIGINÁLNYCH POKYNOV
ПРЕВОД ОТ ОРИГИНАЛНИТЕ ИНСТРУКЦИИ
ПЕРЕКЛАД ОРИГИНАЛЬНИХ ИНСТРУКЦІЙ



EN
FR
DE
ES
IT
NL
PT
DA
SV
FI
NO
RU
PL
CS
HU
RO
LV
LT
ET
HR
SL
SK
BG
UK





- Important!** It is essential that you read the instructions in this manual before assembling, maintaining and operating the product.
- Attention!** Il est essentiel que vous lisiez les instructions contenues dans ce manuel avant d'assembler, d'entretenir et d'utiliser le produit.
- Achtung!** Es ist wichtig, dass Sie vor Zusammenbau, Wartung und Benutzung des Produktes die Anweisungen in dieser Anleitung lesen.
- ¡Atención!** Resulta fundamental que lea este manual de instrucciones antes de realizar el montaje, el mantenimiento y de utilizar este producto
- Attenzione!** È importante leggere le istruzioni contenute nel presente manuale prima di montare il prodotto, svolgere le operazioni di manutenzione sullo stesso e metterlo in funzione.
- Let op!** Het is van essentieel belang dat u de instructies in deze gebruiksaanwijzing leest voor u het product monteert, onderhoudt en gebruikt.
- Atenção!** É fundamental que leia as instruções deste manual antes da montagem, manutenção e operação do aparelho.
- OBS!** Det er vigtigt, at man læser instrukserne i denne brugsanvisning, inden man samler, vedligeholder og betjener produktet.
- Observera!** Det är viktigt att du läser instruktionerna i manualen före montering, användning och underhåll av produkten.
- Huomio!** On tärkeää, että luet tämän käsikirjan ohjeet ennen tuotteen kokoamista, huoltoa ja käyttöä.
- Advarsel!** Det er vigtigt at du leser instruksjonene i denne manualen før sammensetning, vedlikehold og bruk av produktet
- Внимание!** Необходимо прочитать инструкции в данном руководстве перед сборкой, обслуживанием и эксплуатацией этого изделия.
- Uwaga!** Koniecznymy należy przeczytać instrukcje zawarte w tym podręczniku przed montażem, obsługą oraz konserwacją produktu.
- Důležitost upozornění!** Neinstalujte, neprovádějte údržbu ani nepoužívejte tento výrobek dříve, než si přečtete pokyny uvedené v tomto návodu.
- Figyelem!** Fontos, hogy a termék összeszerelése, karbantartása és használatá előtt elolvassa a kézikönyvben található utasításokat.
- Atenție!** Este esențial să citiți instrucțiunile din acest manual înainte de asamblare, efectuarea întreținerii și operarea produsului.
- Uzmanību!** Ir svarīgi izlasīt šīs rokasgrāmatas instrukcijas pirms uzstādīšanas, apkopes un precas darbināšanas.
- Dėmesio!** Prieš surenkant, prižiūrint ir naudojant gaminį, būtina perskaityti šiame vadove pateiktus nurodymus.
- Tähtis!** Enne masina kokkupanekut, hooldamist ja kasutama hakkamist tuleb käesolevas juhendis esitatud juhised kindlasti läbi lugeda.
- Upozoreenje!** Vrlo je važno da ste prije sklapanja, održavanja i rada s ovim proizvodom pročitali upute u ovom priručniku.
- Pomembno!** Pomembno je da pred montažo vzdrževanjem in uporabo tega izdelka preberete navodila v tem priročniku.
- Upozornenie!** Je dôležité, aby ste si pred montážou, údržbou a obsluhou produktu prečítali pokyny v tomto návode.
- Важно!** Исключительно важно е да прочетете инструкциите в настоящото ръководство, преди да преминете към сглобяване, поддръжка или работа с продукта.
- Важливо!** Дуже важливо, щоб ви прочитали інструкції в цьому керівництві перед складанням, обслуговуванням та експлуатацією цієї машини.

Subject to technical modification | Sous réserve de modifications techniques | Technische Änderungen vorbehalten | Bajo reserva de modificaciones técnicas | Con riserva di eventuali modifiche tecniche | Technische wijzigingen voorbehouden | Com reserva de modificações técnicas | Med forbehold for tekniske ændringer | Med förbehåll för tekniska ändringar | Tekniset muutokset varataan | Med forbehold om tekniske ændringer | могут быть внесены технические изменения | Z zastrzeżeniem modyfikacji technicznych | Změny technických údajů vyhrazeny | A műszaki módosítás jogát fenntartjuk | Sub rezerva modificățiilor tehnice | Paturam tiesības mainīt tehniskos raksturlielumus | Pasiliekan teisę daryti techninius pakeitimus | Tehnilised muudatused võimalikud | Подлежно техничким промјенама | Tehnične spremembe dopuščene | Právo na technické zmeny je vyhradené | Подлежи на технически модификации | Є об'єктом для технічних змін



Safety, performance, and dependability have been given top priority in the design of your pruner attachment.

INTENDED USE

This pruner attachment is approved for use with all Ryobi/Homelite petrol-driven power head of 30CC or less, or with RPH1200, RLT1238I, or RBC1226I electric-driven power head.

It is intended to be used only by adults who have read and understood the instructions and warnings in this manual and relevant power head manual and can be considered responsible for their actions. This product is only intended for use outdoors. For safety reasons, the product must be adequately controlled by using two-handed operation.

The product is designed for cutting and pruning of small limbs and branches whose diameters is less than or equal to the bar length, which are high in the tree whilst the operator maintains a steady footing on the ground. The product is designed to be extended to a maximum length of 2.6 m (including the extension shaft). Do not exceed this working length.

It is not intended to be used whilst climbing or as a conventional chainsaw for close quarter limbing and pruning of material at ground level.

⚠ WARNING

When using the product, the safety rules must be followed. For your own safety and that of bystanders, please read these instructions before operating the product. Please keep the instructions safe for later use.

⚠ WARNING

The attachment is not suitable for use with power heads equipped with bike handle.

GENERAL SAFETY WARNINGS

FOR ASSEMBLING WITH PETROL-DRIVEN POWER HEAD

- For safe operation, read and understand all instructions before using the product. Follow all safety instructions. Failure to follow all safety instructions listed below, can result in serious personal injury.
- Never start or run the engine in a closed or poorly ventilated area; breathing exhaust fumes can kill.
- Do not touch area around the silencer or cylinder of the product, these parts get hot from operation.
- Always stop the engine and allow it to cool before making any adjustments.
- Do not smoke when mixing fuel or filling fuel tank.
- Mix and store fuel in a container approved for fuel.
- Mix fuel outdoors where there are no sparks or flames. Wipe up any fuel spillage. Move 9 m away from refueling site before starting engine.
- Stop the engine and allow to cool before refueling or storing the unit.

- Allow the engine to cool; empty the fuel tank and oil tank (if applicable), and secure the unit from moving before transporting in a vehicle.

⚠ WARNING

When the throttle trigger is released and the engine is running at idle speed, the chain must not move. If it does continue to move, there is risk of severe injury to the operator. Do not use the machine. Return it to an authorized service centre for professional adjustment.

FOR ASSEMBLING WITH ELECTRIC-DRIVEN POWER HEAD

⚠ WARNING

Read all safety warnings and all instructions. Failure to follow the warnings and instructions may result in electric shock, fire and/or serious injury.

Save all warnings and instructions for future reference.

The term "power tool" in the warnings refers to your mains-operated (corded) power tool or battery-operated (cordless) power tool.

WORK AREA SAFETY

- **Keep work area clean and well lit.** Cluttered or dark areas invite accidents.
- **Do not operate power tools in explosive atmospheres, such as in the presence of flammable liquids, gases or dust.** Power tools create sparks which may ignite the dust or fumes.
- **Keep children and bystanders away while operating a power tool.** Distractions can cause you to lose control.

ELECTRICAL SAFETY

- **Power tool plugs must match the outlet. Never modify the plug in any way. Do not use any adapter plugs with earthed (grounded) power tools.** Unmodified plugs and matching outlets will reduce risk of electric shock.
- **Avoid body contact with earthed or grounded surfaces, such as pipes, radiators, ranges and refrigerators.** There is an increased risk of electric shock if your body is earthed or grounded.
- **Do not expose power tools to rain or wet conditions.** Water entering a power tool will increase the risk of electric shock.
- **Do not abuse the cord. Never use the cord for carrying, pulling or unplugging the power tool. Keep cord away from heat, oil, sharp edges or moving parts.** Damaged or entangled cords increase the risk of electric shock.
- **When operating a power tool outdoors, use an extension cord suitable for outdoor use.** Use of a cord suitable for outdoor use reduces the risk of electric shock.
- **If operating a power tool in a damp location is**

EN

FR

DE

ES

IT

NL

PT

DA

SV

FI

NO

RU

PL

CS

HU

RO

LV

LT

ET

HR

SL

SK

BG

UK

unavoidable, use a residual current device (RCD) protected supply. Use of an RCD reduces the risk of electric shock.

PERSONAL SAFETY

- **Stay alert, watch what you are doing and use common sense when operating a power tool. Do not use a power tool while you are tired or under the influence of drugs, alcohol or medication.** A moment of inattention while operating power tools may result in serious personal injury.
- **Use personal protective equipment. Always wear eye protection.** Protective equipment such as dust mask, non-skid safety shoes, hard hat or hearing protection used for appropriate conditions will reduce personal injuries.
- **Prevent unintentional starting. Ensure the switch is in the off-position before connecting to power source and/or battery pack, picking up or carrying the tool.** Carrying power tools with your finger on the switch or energising power tools that have the switch on invites accidents.
- **Remove any adjusting key or wrench before turning the power tool on.** A wrench or a key left attached to a rotating part of the power tool may result in personal injury.
- **Do not overreach. Keep proper footing and balance at all times.** This enables better control of the power tool in unexpected situations.
- **Dress properly. Do not wear loose clothing or jewellery. Keep your hair, clothing and gloves away from moving parts.** Loose clothes, jewellery or long hair can be caught in moving parts.
- **If devices are provided for the connection of dust extraction and collection facilities, ensure these are connected and properly used.** Use of dust collection can reduce dust-related hazards.

POWER TOOL USE AND CARE

- **Do not force the power tool. Use the correct power tool for your application.** The correct power tool will do the job better and safer at the rate for which it was designed.
- **Do not use the power tool if the switch does not turn it on and off.** Any power tool that cannot be controlled with the switch is dangerous and must be repaired.
- **Disconnect the plug from the power source and/or the battery pack from the power tool before making any adjustments, changing accessories or storing power tools.** Such preventive safety measures reduce the risk of starting the power tool accidentally.
- **Store idle power tools out of the reach of children and do not allow persons unfamiliar with the power tool or these instructions to operate the power tool.** Power tools are dangerous in the hands of untrained users.
- **Maintain power tools. Check for misalignment or binding of moving parts, breakage of parts and any other condition that may affect the power tool's operation. If damaged, have the power tool repaired before use.** Many accidents are caused by poorly

maintained power tools.

- **Keep cutting tools sharp and clean.** Properly maintained cutting tools with sharp cutting edges are less likely to bind and are easier to control.
- **Use the power tool, accessories and tool bits etc, in accordance with these instructions, taking into account the working conditions and the work to be performed.** Use of the power tool for operations different from those intended could result in a hazardous situation.

SERVICE

- **Have your power tool serviced by a qualified repair person using only identical replacement parts.** This will ensure that the safety of the power tool is maintained.

ADDITIONAL SAFETY WARNINGS

- Some regions have regulations that restrict the use of the product to some operation. Check with your local authority for advice.
- Never allow children or people unfamiliar with the instructions to use the product. Local regulations may restrict the age of the operator.
- Ensure before each use that all controls and safety devices function correctly. Do not use the product if the "off" switch does not stop the motor/engine.
- Wear full eye and hearing protection, strong sturdy gloves as well as head protection while operating the product; use a face mask if operation is dusty.
- Do not wear loose fitting clothing, short trousers, or jewellery of any kind.
- Secure long hair so it is above shoulder level to prevent entanglement in moving parts.
- Use of hearing protection reduces the ability to hear warnings (shouts or alarms). The operator must pay extra attention to what is going on in the working area.
- Operating similar tools nearby increases both the risk of hearing injury and the potential for other persons to enter your working area.
- Beware of thrown, flying or falling objects; keep all bystanders, children, and pets at least 15m away from work area. Stop the product if anyone enters the area.
- Do not operate in poor lighting. The operator requires a clear view of the work area to identify potential hazards.
- Keep firm footing and balance. Do not overreach. Overreaching can result in loss of balance and can increase the risk of kickback.
- Do not use this machine when you are tired, ill, or under the influence of alcohol, drugs, or medication.
- Keep all parts of your body away from any moving part.
- Inspect the machine before each use. Check for correct operation of all controls. Check for loose fasteners, make sure all guards, and handles are properly and securely attached. Replace any damaged parts before use.
- Do not modify the machine in any way or use parts and accessories which are not recommended by the manufacturer.



- Do not let familiarity gained from frequent use of machines allow you to become complacent and ignore tool safety principles. A careless action can cause severe injury within a fraction of a second.
- Keep handles and grasping surfaces dry, clean and free from oil and grease. Slippery handles and grasping surfaces do not allow for safe handling and control of the tool in unexpected situations.

WARNING

If the product is dropped, suffers heavy impact or begins to vibrate abnormally, immediately stop the product and inspect for damage or identify the cause of the vibration. Any damage should be properly repaired or replaced by an authorised service centre.

FOR ASSEMBLING WITH ELECTRIC-DRIVEN POWER HEAD ONLY

- Electrical power should be supplied via a residual current device (RCD) with a tripping current of not more than 30 mA
- If you need to use an extension cable ensure it is suitable for outdoor use and has a current capacity sufficient to supply your tool. Check it before every use for damage. Always uncoil it during use because coiled cables can overheat.
- If the power cable becomes damaged, it must be replaced before using.

PRUNER SAFETY WARNINGS

- Never use the pruner when there is a possibility of thunderstorm or lightning. Store the pruner and/or the power cables safely indoors.
- Ensure all guards, handles are properly fitted and are in good condition.
- Do not start using the product until you have a clear work area, secure footing, and a planned retreat path away from the falling branches or limbs.
- Beware of the emission of lubricant mist and saw dust. Wear mask or respirator if required.
- Always hold the pruner with both hands when operating it. Use one hand to firmly grasp the front hand grip. Use the other hand to grasp the rear handle and operate the product.
- Hold the power tool by insulated gripping surfaces only, because the saw chain may contact hidden wiring. Saw chains contacting a "live" wire may make exposed metal parts of the power tool "live" and could give the operator an electric shock.
- Do not modify your product in any way or use it to power any attachments or devices not recommended by the manufacturer for your pruner.
- Your pruner comes with a harness. You must use it whilst operating the pruner. It will assist you to control the drop of the pruner after the cut is completed. It will also help support the weight of the machine during use and whilst moving between pruning positions.
- Identify the quick release mechanism and practice using it before you start using the machine. Its

correct use may prevent serious injury in the case of an emergency. Never wear additional clothing over the harness or otherwise restrict access to the quick release mechanism.

- Before starting the tool, make sure the saw chain is not contacting any object.
- An incorrectly tensioned chain can jump off the guide bar and could result in serious injury. Check each use and frequently, especially a new chain.
- To reduce the risk of injury associated with moving parts, always stop the product, and disconnect from power supply (if applicable), make sure all moving parts have come to a stop before:
 - cleaning or clearing a blockage
 - leaving the product unattended
 - installing or removing attachments
 - checking, maintenance or working on the machine
- Kickback may occur when the nose or tip of the guide bar touches an object, or when the wood closed in and pinches the saw chain in cut. Tip contact in some cases may cause a sudden reverse reaction, kicking the guide bar up and back towards the operator. Pinching the saw chain along the top of the guide bar may push the guide bar rapidly back towards the operator. Either of these reactions may cause you to lose control of the machine which could result in serious personal injury. Do not rely exclusively upon the safety devices built into your machine. As a pruner user, you should take several steps to keep your cutting jobs free from accident or injury. Kickback is the result of tool misuse and/or incorrect operating procedures or conditions and can be avoided by taking proper precautions as given below:
 - With a basic understanding of kickback, you can reduce or eliminate the element of surprise. Sudden surprise contributes to accidents.
 - Make sure that the area in which you are cutting is free from obstructions. Do not let the nose of the guide bar contact branch, limb or any other obstruction while you are operating the unit.
 - Maintain a firm grip, with both hands on the machine and position your body and arm to allow you to resist kickback forces. Kickback forces can be controlled by the operator, if proper precautions are taken. Do not let go of the pruner.
 - Do not overreach. This helps prevent unintended tip contact and enables better control of the pruner in unexpected situations.
 - Only use replacement bars and chains specified by the manufacturer. Incorrect replacement bars and chains may cause chain breakage and/or kickback.
 - Sharpening the chain safely is a skilled task. Therefore the manufacturer strongly recommends that a worn or dull chain is replaced with a new one, available from your authorised Ryobi service centre. The part number is available in the product specification table in this manual.
- Do not use on a ladder or unstable support. Always cut with both feet on solid ground to prevent being pulled off balance.



- To protect yourself from electrocution, do not operate within 10 m of overhead electrical lines.
- Remove branches in sections. Do not operate in dangerous positions. Beware of falling branches or those which rebound after hitting the ground.
- Use extreme caution when cutting small-sized brush and saplings because slender material may catch the saw chain and be whipped toward you or pull you off balance.
- When cutting a limb that is under tension, be alert for spring back so that you will not be struck when tension in wood fibres are released.
- If the cutting performance deteriorates over time, check if the chain teeth are sharp and clean. Replace with original chain (and bar) as recommended by the manufacturer if necessary.
- If the chain and bar become pinched or trapped in branches too high to reach, seek advice from a professional tree service specialist about safe removal of the cutting means.

WARNING

Check that all the shaft couplings on the extension pole and tool are securely fastened before each use and at frequent intervals.

PERSONAL PROTECTIVE EQUIPMENT

Good quality, personal protective equipment as used by professionals will help to reduce the risk of injury to the operator. The following items should be used when operating your product:

Safety helmet

– should comply with EN 397 and be CE marked

Hearing protection

– should comply with EN 352-1 and be CE marked

Eye and face protection

– should be CE marked and comply with EN 166 (for safety glasses) or EN 1731 (for mesh visors)

Gloves

– should comply with EN 381-7 and be CE marked

Footwear

– should comply with EN 20345 and be CE marked

OPERATION - PRUNING

- Study the condition of the tree and branches before starting work. If there are signs of damage, rot or decay, do not attempt to prune yourself. Damaged or rotten branches are highly unstable. Seek the services of a professional tree surgeon.
- Never stand under the branch to be pruned.

- Pruned branches do not always fall cleanly to the ground. They are easily caught and deflected by other foliage. Ensure that a safety zone at least twice the length of the branch to be cut is available and maintained during your pruning. If this is not possible, seek the services of a professional tree surgeon.
- Ensure that the falling branch is not a danger to yourself, bystanders or property including utility cables.
- Never operate the tool with the pole at an angle of greater than 60° from the horizontal.
- Never operate the pruner with the cutting means closer than 10m from overhead power lines.
- Do not force the tool, let the chain do the work at its own speed.
- Do not try to cut the branch too close to the tree trunk. Leave about 15 cm from the trunk to the cut.
- Rest the saw bar on the branch to be pruned and push the saw gently forwards so that the ribbed bumper also contacts the branch. This will aid stability, cutting and provide cleaner cuts.
- Small branches which are both thin in diameter and not heavy can be cut with one cut using the bottom of the saw bar.
- For larger diameter and heavier branches where the branch may break or split during the cut should be cut first from under the branch using the top of the saw bar. Make this cut approximately one third of the way through the branch. Then make a second cut from above the branch using the bottom of the saw bar to join the first cut.
- Consider pruning large branches in manageable sections rather than as a whole.
- Never try to restart a previous cut with the chain and bar in the earlier cut. Always start a new cut. This will reduce the risk of kickback and potential injury.

TRANSPORTATION AND STORAGE

FOR ASSEMBLING WITH PETROL-DRIVEN POWER HEAD

- Stop the engine, and allow it to cool before storing or transporting.
- Clean all foreign material from the product.
- Be sure the chain is lightly lubricated to prevent rust. The manufacturer recommend the use of Ryobi bar and chain lubricant which is available from your Ryobi authorised service centre.
- Cover the saw bar with the scabbard
- Drain all fuel from tank into a container approved for petrol. Remember to properly replace and tighten the fuel cap.
- If applicable, drain all lubricant from tank into a container approved for lubricant. Remember to properly replace the lubricant cap.
- Run the engine until it stops, this will remove all fuel that could become stale and leave varnish and gum in the fuel system.
- Store the product in a cool dry and well-ventilated place that is inaccessible to children. Keep away from

corrosive agents such as garden chemicals and de-icing salts.

- Do not store outdoors.
- When transporting the product in a vehicle, secure it against movement or falling to prevent injury to persons or damage to the product.
- Never carry or transport the product while the engine is running.
- Abide by all government and local regulations for the safety storage and handling of petrol.

SHORT TERM (LESS THAN ONE MONTH)

- Stop the engine, and allow it to cool before storing.
- Clean all foreign material from the product.
- Cover the blade with the blade protector.
- Store the product in a cool dry and well-ventilated place that is inaccessible to children.
- Keep away from corrosive agents such as garden chemicals and de-icing salts.
- Do not store outdoors.

FOR ASSEMBLING WITH ELECTRIC-DRIVEN POWER HEAD

- Stop the machine, disconnect from the power supply and wind the cable. Allow machine to cool before storing or transporting
- Clean all foreign material from the product. Store it in a cool dry and well-ventilated place that is inaccessible to children. Keep away from corrosive agents such as garden chemicals and de-icing salts. Do not store outdoors.
- When storing the unit for a long period of time (one month or longer), be sure the chain is lightly lubricated to prevent rust. The manufacturer recommend the use of Ryobi bar and chain lubricant which is available from your Ryobi authorised service centre.
- Cover the saw bar with the scabbard.
- For transportation, secure the machine against movement or falling to prevent injury to persons or damage to the machine.

MAINTENANCE

⚠ WARNING

Use only original manufacturer's replacement parts, accessories and attachments. Failure to do so can cause possible injury, poor performance and may void your warranty.

⚠ WARNING

Servicing requires extreme care and knowledge and should be performed only by a qualified service technician. For service we suggest you return the product to your nearest authorised service centre for repair. When servicing, use only identical replacement parts.

⚠ WARNING

The saw chain is very sharp. To prevent personal injury, exercise extreme caution when cleaning, fitting or removing the chain scabbard, and always wear protective gloves when performing maintenance to the chain.

⚠ WARNING

Improper chain maintenance increases the potential of kickback. Failure to replace or repair damaged chain can cause serious injury.

- Switch off, and disconnect from the power supply (if applicable), and make sure all moving parts have come to stop before conducting any maintenance or cleaning work.
- You may make adjustments and repairs described here. For other repairs, contact the authorized service agent.
- Follow instructions for lubricating and chain tension checking and adjustment.
- After each use, clean the body and handles of the product with a soft dry cloth.
- Check all nuts, bolts and screws at frequent intervals for proper tightness to ensure the product is in safe working condition. Any part that is damaged should be properly repaired or replaced by an authorised service centre.

Maintenance schedule

Daily check	
Bar lubricant	Before each use
Chain tension	Before each use and frequently
Chain sharpness	Before each use, visual check
For damaged parts	Before each use
For loose fasteners	Before each use
Fuel mixture or fuel and lubricant (only for petrol-driven power head)	Before each use
Clutch engagement (only for petrol-driven power head) (no chain movement at idling speed)	Before each use
Power cable for damage (only for electric-driven power head)	Before each use

RESIDUAL RISK

Even when the product is used as prescribed, it is still impossible to completely eliminate certain residual risk factors. The following hazards may arise in use and the



operator should pay special attention to avoid the following:

- Injury caused by vibration. Always use the right tool for the job, use designated handles and restrict working time and exposures.
- Exposure to noise can cause hearing injury. Wear ear protection and limit exposure.
- Contact with exposed saw teeth of the chain (cutting hazards).
- Unforeseen, abrupt movement or kickback of the guide bar (cutting hazards).
- Parts ejected from the saw chain (cutting/injection hazards).
- Thrown out pieces of the work piece (wood chips, splinters).
- Inhalation of saw dust and particles.
- Skin contact with lubricant/oil.

RISK REDUCTION

It has been reported that vibrations from hand-held tools may contribute to a condition called Raynaud's Syndrome in certain individuals. Symptoms may include tingling, numbness and blanching of the fingers, usually apparent upon exposure to cold. Hereditary factors, exposure to cold and dampness, diet, smoking and work practices are all thought to contribute to the development of these symptoms. There are measures that can be taken by the operator to possibly reduce the effects of vibration:

- Keep your body warm in cold weather. When operating the unit wear gloves to keep the hands and wrists warm. It is reported that cold weather is a major factor contributing to Raynaud's Syndrome.
- After each period of operation, exercise to increase blood circulation.
- Take frequent work breaks. Limit the amount of exposure per day.

If you experience any of the symptoms of this condition, immediately discontinue use and see your doctor about these symptoms.

⚠ WARNING

Injuries may be caused, or aggravated, by prolonged use of a tool. When using any tool for prolonged periods, ensure you take regular breaks.

KNOW YOUR PRODUCT

See page 175.

1. Chain
2. Bar
3. Nut-hex
4. Sprocket cover
5. Scabbard
6. Oil tank cap
7. Short steel tube
8. Attachment hanger

SYMBOLS ON THE PRODUCT



Safety alert



Read and understand all instructions before operating the product, follow all warnings and safety instructions.



Wear eye, ear and head protection.



Wear non-slip safety footwear when using the product.



Wear non-slip, heavy duty gloves.



Do not expose to rain or damp condition.



Electrical hazard, at least 10 m away from the overhead electric-power lines



Beware of thrown or flying objects. Keep all bystanders, especially children and pets, at least 15 m away from the operating area



Always remove the insert before using the product.



Bar and chain lubricant



Moving direction of the chain



Conforms to all regulatory standards in the country in the EU where the product is purchased.



EurAsian Conformity Mark



Waste electrical products should not be disposed of with household waste. Please recycle where facilities exist. Check with your local authority or retailer for recycling advice.



Ukrainian mark of conformity

The following signal words and meanings are intended to explain the levels of risk associated with this product.

⚠ DANGER

Indicates an imminently hazardous situation, which, if not avoided, will result in death or serious injury.

⚠ WARNING



Indicates a potentially hazardous situation, which, if not avoided, could result in death or serious injury.

⚠ CAUTION

Indicates a potentially hazardous situation, which, if not avoided, may result in minor or moderate injury.

CAUTION

Without safety alert symbol

Indicates a situation that may result in property damage.

EN
FR
DE
ES
IT
NL
PT
DA
SV
FI
NO
RU
PL
CS
HU
RO
LV
LT
ET
HR
SL
SK
BG
UK



Lors de la conception de votre accessoire d'élagage, l'accent a été mis sur la sécurité, les performances et la fiabilité.

UTILISATION PRÉVUE

Cet accessoire d'élagage est agréé pour une utilisation avec toutes les têtes d'entraînement à essence Ryobi/Homelite de 30 cc ou moins, ou avec la tête d'entraînement électrique RPH1200, RLT1238I, ou RBC1226I.

Il doit être utilisé seulement par des adultes ayant lu et compris les instructions et les avertissements inclus dans le présent manuel ainsi que dans le manuel sur les têtes d'entraînement correspondant, et pouvant être considérés comme responsables de leurs actes. Cet appareil ne doit être utilisé qu'à l'extérieur. Pour des raisons de sécurité, l'appareil doit être manipulé de manière appropriée, en utilisant les deux mains.

Ce produit est destiné à la coupe et à l'élagage de petites branches en hauteur dans les arbres dont le diamètre est inférieur ou égal à la longueur du guide-chaîne, l'opérateur restant debout de façon stable sur le sol. Ce produit est conçu pour être étiré à une longueur maximale de 2,6 m. Ne dépassez pas cette longueur de travail.

Il n'a pas été conçu pour être utilisé en hauteur ou comme une tronçonneuse conventionnelle pour l'ébranchage et l'élagage de proximité de matériaux au niveau du sol.

⚠ AVERTISSEMENT

Suivez les règles de sécurité lorsque vous utilisez le produit. Pour votre sécurité et celle des passants, veuillez lire ces instructions avant d'utiliser le produit. Veuillez conserver ce manuel pour vous-y reporter dans le futur.

⚠ AVERTISSEMENT

Ce produit ne convient pas aux blocs moteur thermiques équipés de guidons de vélo.

AVERTISSEMENTS GÉNÉRAUX DE SÉCURITÉ

POUR MONTAGE AVEC TÊTE D'ENTRAÎNEMENT À ESSENCE

- Pour travailler en toute sécurité, lisez et comprenez toutes les instructions avant d'utiliser le produit. Suivez toutes les instructions de sécurité. Le non-respect de l'une des consignes peut entraîner des blessures corporelles graves.
- Ne jamais démarrer ou faire tourner le moteur en un lieu fermé et mal ventilé; l'inhalation de gaz d'échappement pouvant être mortelle.
- Ne touchez pas la zone autour du silencieux ou du cylindre du produit, ces pièces deviennent brûlantes lors du fonctionnement.
- Coupez toujours le moteur avant d'effectuer un réglage. Laissez la machine refroidir avant toute vérification, tout réglage, etc.
- Ne fumez pas lorsque vous mélangez du carburant ou

lorsque vous faites le plein.

- Mélangez et stockez le carburant dans un bidon autorisé à contenir de l'essence.
- Mélangez le carburant à l'air libre, loin de toute étincelle ou flamme. Essayez le carburant répandu. Éloignez-vous de 9 m de la zone de remplissage avant de démarrer le moteur.
- Arrêtez le moteur et laissez-le refroidir avant de refaire le plein ou de ranger l'appareil.
- Laissez le moteur refroidir, videz le réservoir à carburant et le réservoir à huile (le cas échéant) et arrimez bien l'outil avant de le transporter dans un véhicule.

⚠ AVERTISSEMENT

Lorsque la gâchette-accélérateur est relâchée et que le moteur tourne au ralenti, l'accessoire de coupe ou la chaîne coupante ne doivent pas bouger. Dans le cas contraire, l'opérateur risque de subir des blessures graves. N'utilisez pas la machine. Rappelez-la à un réparateur agréé pour la faire régler par un professionnel.

POUR MONTAGE AVEC TÊTE D'ENTRAÎNEMENT ÉLECTRIQUE

⚠ AVERTISSEMENT

Lisez tous les avertissements de sécurité et toutes les instructions. Le non-respect des avertissements et instructions peut entraîner une décharge électrique, un incendie et/ou de graves blessures.

Conservé tous les avertissements et toutes les instructions pour pouvoir s'y reporter ultérieurement.

Le terme «outil» dans les avertissements fait référence à votre outil électrique alimenté par le secteur (avec cordon d'alimentation) ou votre outil fonctionnant sur batterie (sans cordon d'alimentation).

SÉCURITÉ DE LA ZONE DE TRAVAIL

- **Conservé la zone de travail propre et bien éclairée.** Les zones en désordre ou sombres sont propices aux accidents.
- **Ne pas faire fonctionner les outils électriques en atmosphère explosive, par exemple en présence de liquides inflammables, de gaz ou de poussières.** Les outils électriques produisent des étincelles qui peuvent enflammer les poussières ou les fumées.
- **Maintenir les enfants et les personnes présentes à l'écart pendant l'utilisation de l'outil.** Les distractions peuvent vous faire perdre le contrôle de l'outil.

SÉCURITÉ ÉLECTRIQUE

- **Il faut que les fiches de l'outil électrique soient adaptées au socle. Ne jamais modifier la fiche de quelque façon que ce soit. Ne pas utiliser d'adaptateurs avec des outils à branchement de terre.** Des fiches non modifiées et des socles adaptés réduiront le risque de choc électrique.
- **Éviter tout contact du corps avec des surfaces reliées à la terre telles que les tuyaux, les**





radiateurs, les cuisinières et les réfrigérateurs. Il existe un risqué accru de choc électrique si votre corps est relié à la terre.

- **Ne pas exposer les outils à la pluie ou à des conditions humides.** La pénétration d'eau à l'intérieur d'un outil augmentera le risque de choc électrique.
- **Ne pas maltraiter le cordon. Ne jamais utiliser le cordon pour porter, tirer ou débrancher l'outil. Maintenir le cordon à l'écart de la chaleur, du lubrifiant, des arêtes ou des parties en mouvement.** Des cordons endommagés ou emmêlés augmentent le risque de choc électrique.
- **Lorsqu'on utilise un outil à l'extérieur, utiliser un prolongateur adapté à l'utilisation extérieure.** L'utilisation d'un cordon adapté à l'utilisation extérieure réduit le risque de choc électrique.
- **Si l'usage d'un outil dans un emplacement humide est inévitable, utiliser une alimentation protégée par un dispositif à courant différentiel résiduel (RCD).** L'usage d'un RCD réduit le risque de choc électrique.

SÉCURITÉ DES PERSONNES

- **Rester vigilant, regarder ce que vous êtes en train de faire et faire preuve de bon sens dans votre utilisation de l'outil. Ne pas utiliser un outil lorsque vous êtes fatigué ou sous l'emprise de drogues, d'alcool ou de médicaments.** Un moment d'inattention en cours d'utilisation d'un outil peut entraîner des blessures graves des personnes.
- **Utiliser un équipement de sécurité. Toujours porter une protection pour les yeux.** Les équipements de sécurité tels que les masques contre les poussières, les chaussures de sécurité antidérapantes, les casques ou les protections acoustiques utilisés pour les conditions appropriées réduiront les blessures de personnes.
- **Éviter tout démarrage intempestif. S'assurer que l'interrupteur est en position arrêt avant de brancher l'outil au secteur et/ou au bloc de batteries, de le ramasser ou de le porter.** Porter les outils en ayant le doigt sur l'interrupteur ou brancher des outils dont l'interrupteur est en position marche est source d'accidents.
- **Retirer toute clé de réglage avant de mettre l'outil en marche.** Une clé laissée fixée sur une partie tournante de l'outil peut donner lieu à des blessures de personnes.
- **Ne pas se précipiter. Garder une position et un équilibre adaptés à tout moment.** Cela permet un meilleur contrôle de l'outil dans des situations inattendues.
- **S'habiller de manière adaptée. Ne pas porter de vêtements amples ou de bijoux. Garder les cheveux, les vêtements et les gants à distance des parties en mouvement.** Des vêtements amples, des bijoux ou les cheveux longs peuvent être pris dans des parties en mouvement.
- **Si des dispositifs sont fournis pour le raccordement d'équipements pour l'extraction et la récupération des poussières, s'assurer qu'ils sont connectés et correctement utilisés.** Utiliser des collecteurs de poussière peut réduire les risqués dus aux poussières.

UTILISATION ET ENTRETIEN DE L'OUTIL

- **Ne pas forcer l'outil. Utiliser l'outil adapté à votre application.** L'outil adapté réalisera mieux le travail et de manière plus sûre au régime pour lequel il a été construit.
- **Ne pas utiliser l'outil si l'interrupteur ne permet pas de passer de l'état de marche à arrêt et vice versa.** Tout outil qui ne peut pas être commandé par l'interrupteur est dangereux et il faut le réparer.
- **Débrancher la fiche de la source d'alimentation en courant et/ou le bloc de batteries de l'outil avant tout réglage, changement d'accessoires ou avant de ranger l'outil.** De telles mesures de sécurité préventives réduisent le risque de démarrage accidentel de l'outil.
- **Conservé les outils à l'arrêt hors de la portée des enfants et ne pas permettre à des personnes ne connaissant pas l'outil ou les présentes instructions de le faire fonctionner.** Les outils sont dangereux entre les mains d'utilisateurs novices.
- **Observer la maintenance de l'outil. Vérifier qu'il n'y a pas de mauvais alignement ou de blocage des parties mobiles, des pièces cassées ou toute autre condition pouvant affecter le fonctionnement de l'outil. En cas de dommages, faire réparer l'outil avant de l'utiliser.** De nombreux accidents sont dus à des outils mal entretenus.
- **Garder affûtés et propres les outils permettant de couper.** Des outils destinés à couper correctement entretenus avec des pièces coupantes tranchantes sont moins susceptibles de bloquer et sont plus faciles à contrôler.
- **Utiliser l'outil, les accessoires, et les lames etc., conformément à ces instructions, en tenant compte des conditions de travail et du travail à réaliser.** L'utilisation de l'outil pour des opérations différentes de celles prévues pourrait donner lieu à des situations dangereuses.

UTILISATION DES OUTILS FONCTIONNANT SUR BATTERIES ET PRÉCAUTIONS D'EMPLOI

- **Ne recharger qu'avec le chargeur spécifié par le fabricant.** Un chargeur qui est adapté à un type de bloc de batteries peut créer un risque de feu lorsqu'il est utilisé avec un autre type de bloc de batteries.
- **N'utiliser les outils qu'avec des blocs de batteries spécifiquement désignés.** L'utilisation de tout autre bloc de batteries peut créer un risque de blessure et de feu.
- **Lorsqu'un bloc de batteries n'est pas utilisé, le maintenir à l'écart de tout autre objet métallique, par exemple trombones, pièces de monnaie, clés, clous, vis ou autres objets de petite taille qui peuvent donner lieu à une connexion d'une borne à une autre.** Le court-circuitage des bornes d'une batterie entre elles peut causer des brûlures ou un feu.
- **Dans de mauvaises conditions, du liquide peut être éjecté de la batterie; éviter tout contact. En cas de contact accidentel, nettoyer à l'eau. Si le liquide entre en contact avec les yeux, rechercher en plus**

EN

FR

DE

ES

IT

NL

PT

DA

SV

FI

NO

RU

PL

CS

HU

RO

LV

LT

ET

HR

SL

SK

BG

UK



une aide médicale. Le liquide éjecté des batteries peut causer des irritations ou des brûlures.

MAINTENANCE ET ENTRETIEN

- **Faire entretenir l'outil par un réparateur qualifié utilisant uniquement des pièces de rechange identiques.** Cela assurera que la sécurité de l'outil est maintenue.

INSTRUCTIONS DE SÉCURITÉ ADDITIONNELLES

- La législation de certaines régions restreint l'utilisation du produit à certaines opérations. Contactez les autorités locales pour obtenir des conseils.
- Ne laissez jamais les enfants ou les personnes non familiarisées avec le mode d'emploi utiliser le produit. Les lois locales peuvent imposer un âge minimum à l'opérateur.
- Avant chaque utilisation assurez-vous que toutes les commandes et tous les organes de sécurité fonctionnent correctement. N'utilisez pas le produit si son interrupteur "arrêt" est inopérant à arrêter le moteur.
- Portez une protection oculaire et auditive totale, des gants solides ainsi qu'un casque de protection de la tête lors de l'utilisation du produit ; portez un masque facial au cas où l'opération générerait des poussières.
- Ne portez pas de vêtements amples, de pantalons courts ou de bijoux d'aucune sorte.
- Attachez les cheveux longs au-dessus du niveau des épaules afin d'éviter qu'ils ne se prennent dans les parties en mouvement.
- L'utilisation d'une protection auditive réduit la capacité à entendre les avertissements (cris ou alarmes). L'utilisateur doit redoubler d'attention par rapport aux événements survenant dans la zone de travail.
- L'utilisation d'outils similaires alentour augmente le risque d'atteinte à l'audition ainsi que le risque que d'autres personnes entrent dans la zone de travail.
- Prenez garde à la projection d'objets, gardez tout passant, enfant et animal éloigné d'au moins 15 m de l'aire de travail. Arrêtez le produit lorsque quiconque pénètre dans l'environnement de travail.
- N'utilisez pas cet outil dans une zone mal éclairée. L'opérateur doit avoir une bonne vue d'ensemble de la zone de travail pour identifier les dangers éventuels.
- Gardez un bon appui et un bon équilibre. Ne pas se précipiter. Un travail en extension excessive peut entraîner une perte d'équilibre et augmenter le risque de rebond.
- N'utilisez pas ce produit lorsque vous êtes fatigué, malade, ou sous l'influence de l'alcool, de drogues ou de médicaments.
- Maintenez toutes les parties de votre corps éloignées des parties en mouvement.
- Vérifiez la machine avant chaque utilisation. Vérifiez le bon fonctionnement de toutes les commandes. Vérifiez le bon serrage des attaches, assurez-vous que toutes les protections et poignées sont bien en place et bien verrouillées. Remplacez toute pièce endommagée avant utilisation.

- Ne modifiez la machine d'aucune façon et n'utilisez pas de pièces ou accessoires non recommandés par le fabricant.
- Une fois familiarisé avec votre outil (après un certain nombre d'utilisations), ne commettez pas d'erreurs dues à un manque de vigilance. Une action imprudente peut entraîner de graves blessures en une fraction de seconde.
- Gardez les poignées et les surfaces de préhension sèches, propres et exemptes d'huile et de graisse. Des poignées et des surfaces de préhension glissantes ne permettent pas une manipulation et un contrôle de l'outil en toute sécurité en cas de situation imprévue.

⚠ AVERTISSEMENT

Si le produit est tombé, a subi un choc important ou se met à vibrer de façon anormale, arrêtez-le immédiatement et recherchez les dommages éventuels ou identifiez la cause des vibrations. Toute pièce endommagée doit être correctement remplacée ou réparée par un service après-vente agréé.

POUR MONTAGE AVEC TÊTE D'ENTRAÎNEMENT ÉLECTRIQUE

- L'appareil doit être alimenté par l'intermédiaire d'un disjoncteur différentiel d'une sensibilité minimale de 30mA.
- Si vous devez utiliser une rallonge électrique, assurez-vous qu'elle est prévue pour une utilisation à l'extérieur et que sa capacité en courant est suffisante pour alimenter votre produit. Vérifiez l'absence de dommages avant chaque utilisation. Le câble d'alimentation doit toujours être déroulé pendant utilisation, les câbles enroulés étant susceptibles de surchauffer.
- Si le câble d'alimentation est endommagé, veuillez le remplacer avant toute utilisation.

AVERTISSEMENTS DE SÉCURITÉ RELATIFS À L'ÉLAGUEUR

- N'utilisez jamais l'élagueur en cas de risque d'orage ou d'éclairs. Rangez l'élagueur et les câbles d'alimentation dans un endroit sûr à l'intérieur.
- Assurez-vous que toutes les protections et poignées sont bien en place et en bon état.
- Ne commencez pas à utiliser le produit avant de disposer d'une aire de travail dégagée, d'avoir un bon appui au sol, ainsi qu'un chemin de repli éloigné de la zone de chute des branches.
- Prenez garde aux projections de brouillard d'huile et de sciure. Portez un masque ou un respirateur au besoin.
- Tenez toujours l'élagueur des deux mains lorsque vous l'utilisez. Agrippez fermement la poignée avant avec une main. Utilisez l'autre main pour saisir la poignée arrière et actionner le produit.
- Ne maintenez l'outil à moteur que par ses surfaces de préhension isolées, car sa chaîne est susceptible d'entrer en contact avec des câbles électriques cachés. Une chaîne de tronçonneuse qui entrerait en contact avec un câble "sous tension" pourrait véhiculer cette



tension électrique vers les parties métalliques de l'outil et exposer l'opérateur à une décharge électrique.

- Ne modifiez votre produit d'aucune façon, et ne l'utilisez pas pour faire fonctionner des accessoires ou appareils non recommandés par le fabricant de votre produit.
- Votre élagueur est fourni avec un harnais. Vous devez l'utiliser lorsque vous opérez avec l'élagueur. Il vous aidera à contrôler la chute de l'élagueur une fois la coupe terminée. Il peut également aider à supporter le poids de la machine en cours d'utilisation et au cours du déplacement entre les différents emplacements d'élagage.
- Repérez le mécanisme de libération rapide et entraînez-vous à sa manipulation avant de commencer à utiliser la machine. Son utilisation correcte peut empêcher de graves blessures en cas d'urgence. Ne portez jamais aucun vêtement supplémentaire par dessus le harnais qui serait susceptible de gêner le fonctionnement du mécanisme de libération rapide.
- Avant de mettre l'outil en marche, assurez-vous que rien n'est en contact avec la chaîne de la tronçonneuse.
- Une chaîne mal tendue peut dérailler du guide-chaîne et provoquer de graves blessures potentiellement mortelles. Vérifiez avant chaque utilisation et fréquemment, en particulier en cas de chaîne neuve.
- Pour réduire les risques de blessures infligées par des pièces en mouvement, arrêtez toujours le produit, et débranchez-le de la prise secteur (le cas échéant). Veillez à ce que toutes les pièces en mouvement soient complètement immobilisées avant de:
 - nettoyer ou dégager la cause d'un blocage
 - laisser le produit sans surveillance
 - mettre en place ou retirer des accessoires
 - vérifier, entretenir ou travailler sur la machine
- Il peut se produire un rebond si l'extrémité du guide-chaîne entre en contact avec un objet ou si la chaîne coupante se pince et se bloque dans le bois pendant la coupe. Dans certains cas, le contact avec le nez du guide-chaîne peut provoquer une réaction inverse soudaine, faisant rebondir le guide-chaîne vers le haut et en direction de l'opérateur. Le pincement de la chaîne au niveau du haut du guide-chaîne est susceptible de le repousser rapidement le guide-chaîne en direction de l'opérateur. Chacune de ces réactions est susceptible de vous faire perdre le contrôle de la machine et d'entraîner de graves blessures. Ne vous fiez pas exclusivement aux dispositifs de sécurité incorporés à votre machine. En tant qu'utilisateur d'un élagueur, vous devez prendre plusieurs mesures de façon que vos travaux d'élagage n'entraînent ni accidents ni blessures. Le rebond est le résultat d'une utilisation incorrecte de l'outil et/ou de mauvaises procédures ou conditions d'utilisation, et il peut être évité en prenant les précautions adéquates indiquées ci-dessous :
 - Vous pouvez réduire ou supprimer l'effet de surprise en comprenant le principe général du rebond. L'effet de surprise contribue aux accidents.
 - Assurez-vous que la zone où vous utilisez votre tronçonneuse ne comporte pas d'obstacles. Ne laissez pas le nez du guide-chaîne entrer en

contact avec une branche ou tout autre obstacle lorsque vous utilisez l'appareil.

- Maintenez fermement la machine des deux mains et positionnez vos bras et votre corps de façon à pouvoir résister aux forces de rebond. Les forces de rebond peuvent être maîtrisées par l'opérateur si des précautions adaptées sont prises. Ne lâchez pas l'élagueur.
- Ne pas se précipiter. Vous aiderez ainsi à éviter tout contact accidentel avec le nez et à améliorer le contrôle du produit en cas de situation inattendue.
- N'utilisez que les chaînes et guides-chaînes indiqués par le fabricant. Des chaînes et guides-chaînes de rechange de type incorrect pourraient entraîner une rupture de la chaîne et/ou un rebond.
- L'affûtage de la chaîne en toute sécurité est une opération demandant un certain savoir-faire. Le fabricant vous recommande donc de remplacer toute chaîne usée ou émoussée par une neuve, disponible auprès de votre service après-vente agréé Ryobi. Vous pourrez trouver la référence de la pièce dans le tableau des caractéristiques présent dans ce manuel.
- Ne pas utiliser sur une échelle ou autre support instable. Prenez toujours appui sur vos jambes sur un sol ferme lorsque vous coupez. Vous éviterez ainsi de perdre l'équilibre en cours d'opération.
- Pour vous protéger de tout risque d'électrocution, n'opérez pas à moins de 10 m des lignes électriques aériennes.
- Ébranchez par sections. Ne travaillez pas dans des positions dangereuses. Méfiez-vous des chutes et rebonds de branches sur le sol.
- Soyez extrêmement prudent lorsque vous coupez des billes et des branches de petite taille car les éléments fins peuvent s'accrocher à la chaîne coupante et être projetés dans votre direction ou vous déséquilibrer.
- Lorsque vous coupez une branche sous contrainte, soyez prêt à vous éloigner rapidement de façon à ne pas être frappé lorsque la tension dans les fibres du bois se relâche.
- Si les performances de coupe diminuent au cours du temps, vérifiez si les dents de la chaîne sont propres et affûtées. Si nécessaire, remplacez la chaîne d'origine (ainsi que le guide-chaîne) comme recommandé par le fabricant.
- Si la chaîne et le guide-chaîne viennent à être pincés ou coincés dans des branches trop hautes pour être atteintes, prenez conseil auprès d'un professionnel de l'entretien des arbres pour dégager les éléments de coupe de façon sûre.

EN

FR

DE

ES

IT

NL

PT

DA

SV

FI

NO

RU

PL

CS

HU

RO

LV

LT

ET

HR

SL

SK

BG

UK



⚠ AVERTISSEMENT

Vérifiez à intervalles réguliers et avant chaque utilisation que tous les raccords d'arbre de la perche rallonge et de l'outil sont bien serrés.

ÉQUIPEMENT DE PROTECTION INDIVIDUEL

Un équipement de protection individuel de bonne qualité utilisé par des professionnels aide à réduire le risque de blessures infligées à l'opérateur. Les éléments suivants doivent être utilisés lorsque vous utilisez votre produit :

Casque de sécurité

doit être conforme à EN 397 et porter l'inscription CE

Protection auditive

doit être conforme à EN 352-1 et porter l'inscription CE

Protection oculaire et faciale

doit porter l'inscription CE et être conforme à EN 166 (pour les lunettes de sécurité) ou EN 1731 (pour les visières à grille)

Gants

doit être conforme à EN 381-7 et porter l'inscription CE

Chaussures

doit être conforme à EN 20345 et porter l'inscription CE

UTILISATION – ÉLAGAGE

- Étudiez l'état de l'arbre et des branches avant de commencer le travail. En cas de signes d'endommagement, de pourriture ou de décomposition, de tenez pas de procéder vous-même à l'élagage. Les branches abîmées ou pourries sont très instables. Utilisez les services d'un chirurgien professionnel des arbres.
- Ne vous tenez jamais sous la branche à élaguer.
- Les branches élaguées ne tombent pas toujours de la façon prévue. Ils sont facilement happés et déviés par les autres feuillages. Assurez-vous qu'une aire de sécurité d'une longueur égale à au moins deux fois la longueur de la branche à couper est disponible et conservée au cours de l'élagage. Si cela n'est pas possible, utilisez les services d'un chirurgien professionnel du bois.
- Assurez-vous que la branche qui chute ne représente un danger ni pour vous, ni pour les passants ni pour les biens, y compris les câbles aériens.
- N'utilisez jamais l'outil avec sa perche faisant un angle de plus de 60° par rapport à l'horizontale.
- N'utilisez jamais l'élagueur avec ses lames à moins de 10m des lignes électriques aériennes.
- Ne faites pas forcer le produit, laissez la chaîne faire le travail à son rythme propre.
- Ne tentez pas de couper une branche trop près du tronc. Laissez environ 15 cm entre le tronc et la coupe.
- Posez le guide-chaîne sur la branche à élaguer et poussez doucement la scie vers l'avant afin que l'arrière à griffes entre également en contact avec la

branche. Ceci aidera la stabilité et la coupe et permettra des coupes plus nettes.

- Les petites branches à la fois fines et légères peuvent être coupées en une seule fois avec la partie inférieure du guide-chaîne.
- Pour les branches plus lourdes et de plus grand diamètre susceptibles de se rompre ou de se fendre en cours de coupe, il est conseillé de commencer la coupe par le dessous de la branche à l'aide de la partie supérieure du guide-chaîne. Effectuez cette coupe sur approximativement un tiers du diamètre de la branche. Faites ensuite une deuxième coupe par le dessus de la branche en utilisant la partie inférieure du guide-chaîne de façon à rejoindre la première coupe.
- Pensez à élaguer les branches de grande longueur en plusieurs sections qui seront plus pratiques à gérer qu'une branche coupée dans son entier.
- Ne tentez jamais de reprendre une coupe en faisant pénétrer la chaîne et le guide-chaîne dans cette coupe précédente. Commencez toujours une nouvelle coupe. Ceci réduira les risques de rebond et de blessures.

TRANSPORT ET STOCKAGE

POUR MONTAGE AVEC TÊTE D'ENTRAÎNEMENT À ESSENCE

- Arrêtez le produit et laissez-le refroidir avant de le ranger ou de le transporter.
- Débarrassez l'appareil de tous les corps étrangers.
- Lorsque vous stockez l'appareil pendant une longue période de temps (un mois ou plus), assurez-vous que la chaîne est légèrement lubrifiée afin d'éviter son oxydation. Le fabricant recommande l'utilisation de lubrifiant pour chaîne et guide-chaîne Ryobi disponible auprès de votre service après-vente agréé Ryobi.
- Recouvrez la lame avec son fourreau avant de ranger l'appareil, ou au cours de son transport.
- Versez tout le carburant restant dans le réservoir dans un récipient homologué pour contenir de l'essence. N'oubliez pas de bien remettre en place et serrer le bouchon du réservoir.
- Si nécessaire, purgez toute l'huile du réservoir dans un conteneur homologué pour l'huile. Souvenez-vous de remettre correctement en place le couvercle de l'huile.
- Faites tourner le moteur jusqu'à ce qu'il s'arrête. Cela retirera toute l'essence qui pourrait s'évaporer et laisser du vernis et de la gomme dans le système de carburant.
- Rangez la en un endroit frais, sec et correctement ventilé, hors de portée des enfants. Ne la rangez pas à proximité d'agents corrosifs tels que produits chimiques de jardinage ou sels de dégel.
- Ne rangez pas à l'extérieur.
- Pour le transport, attachez le produit pour l'empêcher de bouger ou de tomber, afin d'éviter toute blessure et tout dommage matériel.
- Ne portez jamais et ne transportez jamais l'appareil lorsqu'il est en fonctionnement.
- Référez-vous aux réglementations nationales et locales en matière de stockage et de manipulation de carburant.

STOCKAGE DE COURTE DURÉE

- Arrêtez la machine et laissez-la refroidir avant de la ranger ou de la transporter.
- Débarrassez l'appareil de tous les corps étrangers.
- Recouvrez la lame avec sa protection avant de ranger l'appareil, ou au cours de son transport.
- Rangez la en un endroit frais, sec et correctement ventilé, hors de portée des enfants.
- Ne la rangez pas à proximité d'agents corrosifs tels que produits chimiques de jardinage ou sels de dégel.
- Ne rangez pas à l'extérieur.

POUR MONTAGE AVEC TÊTE D'ENTRAÎNEMENT ÉLECTRIQUE

- Arrêtez le produit, débranchez-le de la prise secteur et enrroulez le câble. Laissez le moteur refroidir.
- Débarrassez l'appareil de tous les corps étrangers. Rangez la en un endroit frais, sec et correctement ventilé, hors de portée des enfants. Ne la rangez pas à proximité d'agents corrosifs tels que produits chimiques de jardinage ou sels de dégel. Ne rangez pas à l'extérieur.
- Lorsque vous stockez l'appareil pendant une longue période de temps (un mois ou plus), assurez-vous que la chaîne est légèrement lubrifiée afin d'éviter son oxydation. Le fabricant recommande l'utilisation de lubrifiant pour chaîne et guide-chaîne Ryobi disponible auprès de votre service après-vente agréé Ryobi.
- Recouvrez la lame avec son fourreau avant de ranger l'appareil, ou au cours de son transport.
- Pour le transport, attachez la machine pour l'empêcher de bouger ou de tomber, afin d'éviter toute blessure et tout dommage matériel.

ENTRETIEN

⚠ AVERTISSEMENT

N'utilisez que des pièces détachées et accessoires d'origine constructeur. Le non respect de cette précaution peut entraîner de mauvaises performances, des blessures, et annuler votre garantie.

⚠ AVERTISSEMENT

Les réparations demandent un soin et des connaissances extrêmes et ne doivent être effectuées que par un réparateur qualifié. Pour toute réparation, nous vous conseillons de retourner votre appareil à votre service après vente agréé le plus proche. N'utilisez que des pièces détachées identiques pour effectuer les réparations.

⚠ AVERTISSEMENT

La chaîne est très coupante. Pour éviter toute blessure, soyez extrêmement prudent lorsque vous nettoyez, mettez en place ou retirez le fourreau de protection, et portez toujours des gants de protection lorsque vous entretenez la chaîne.

⚠ AVERTISSEMENT

Un mauvais entretien de la chaîne augmente le risque de rebond. Si vous ne remplacez pas ou ne réparez pas une chaîne endommagée, vous vous exposez à des risques de blessures corporelles graves.

- Éteignez et/ou débranchez le produit de la prise secteur et veillez à ce que toutes les pièces mobiles soient totalement arrêtées avant de réaliser toute opération de maintenance ou de nettoyage.
- Vous pouvez effectuer les réglages et réparations décrits dans ce manuel. Pour les autres réparations, contactez un service après-vente agréé.
- Respectez les instructions concernant la lubrification, la vérification de la tension de la chaîne et son réglage.
- Après chaque utilisation, utilisez un chiffon propre et sec pour nettoyer le corps et les poignées du produit.
- Vérifiez régulièrement le bon serrage des écrous, vis et boulons pour que le produit soit toujours en bon état de fonctionnement. Toute pièce endommagée doit être correctement remplacée ou réparée par un service après-vente agréé.

Périodicité d'entretien

Vérification quotidienne	
Lubrifiant de la barre	Avant chaque utilisation
Tension de la chaîne	Avant chaque utilisation et fréquemment
Affutage de la chaîne	Avant chaque utilisation, vérification visuelle
Pièces éventuellement endommagées	Avant chaque utilisation
Attaches mal serrées	Avant chaque utilisation
Mélange de carburants ou carburant et lubrifiant (uniquement pour le bloc moteur à essence)	Avant chaque utilisation
Engagement de l'embrayage (uniquement pour le bloc moteur à essence) (aucun mouvement de la chaîne au ralenti)	Avant chaque utilisation

Câble d'alimentation pour vérifier qu'il n'est pas endommagé (uniquement pour le bloc moteur électrique)	Avant chaque utilisation
--	--------------------------

RISQUES RÉSIDUELS

Même lorsque le produit est utilisé selon les prescriptions, il reste impossible d'éliminer totalement certains facteurs de risque résiduels. Les dangers suivants risquent de se présenter en cours d'utilisation et l'utilisateur doit prêter particulièrement garde à ce qui suit :

- Blessures dues aux vibrations. Utilisez toujours un outil adapté au travail à effectuer, servez-vous des poignées appropriées et limitez le temps de travail et d'exposition.
- L'exposition au bruit peut provoquer des pertes d'audition. Portez une protection auditive et limitez le temps d'exposition.
- Entrée en contact avec les dents de la chaîne de l'élagueur (risques de coupures).
- Mouvement brusque et imprévu ou rebond du guide-chaîne (risques de coupures).
- Projection d'éléments en provenance de la chaîne (risques de coupures/injections).
- Éléments projetés en provenance de l'élément coupé (copeaux, éclats).
- Inhalation de sciure et particules.
- Mise en contact de la peau avec de l'essence et de l'huile.

RÉDUCTION DES RISQUES

Il a été reporté que les vibrations engendrées par les outils à main peuvent contribuer à l'apparition d'un état appelé le Syndrome de Raynaud chez certaines personnes. Les symptômes peuvent comprendre des fourmillements, un engourdissement et un blanchiment des doigts, généralement par temps froid. Des facteurs héréditaires, l'exposition au froid et à l'humidité, le régime alimentaire, le tabagisme et les habitudes de travail peuvent contribuer au développement de ces symptômes. Certaines mesures peuvent être prises par l'utilisateur pour aider à réduire les effets des vibrations:

- Gardez votre corps au chaud par temps froid. Lorsque vous utilisez l'appareil, portez des gants afin de garder vos mains et vos poignets au chaud. Le temps froid est considéré comme un facteur contribuant très largement à l'apparition du Syndrome de Raynaud.
- Après chaque session de travail, pratiquez des exercices qui favorisent la circulation sanguine.
- Faites des pauses fréquentes. Limitez la quantité d'exposition journalière.

Si vous ressentez l'un des symptômes associés à ce syndrome, arrêtez immédiatement le travail et consultez votre médecin pour lui en faire part.

⚠ AVERTISSEMENT

L'utilisation prolongée d'un outil est susceptible de provoquer ou d'aggraver des blessures. Assurez-vous de faire des pauses de façon régulière lorsque vous utilisez tout outil de façon prolongée.

APPRENEZ À CONNAÎTRE VOTRE PRODUIT

Voir page 175.

1. Chaîne coupante
2. Guide-chaîne
3. Écrou hexagonal
4. Carter de pignon
5. Fourreau
6. Bouchon
7. Tube en acier court
8. Support d'accroche de l'accessoire

SYMBOLES APPLIQUÉS SUR LE PRODUIT



Avertissement



Lisez et comprenez toutes les instructions avant d'utiliser le produit, respectez tous les avertissements et toutes les instructions de sécurité.



Portez une protection oculaire et auditive ainsi qu'un casque



Portez des chaussures de sécurité antidérapantes lorsque vous utilisez le produit.



Portez des gants de protection solides et antidérapants.



Ne pas exposer à la pluie ou à des conditions humides.



Danger d'électrocution, restez éloigné d'au moins 10 m des lignes électriques aériennes



Prenez garde à la projection d'objets au sol et dans les airs. Gardez tous les passants, en particulier les enfants et les animaux, éloignés d'au moins 15 m de distance de la zone de travail.



Retirez toujours le fourreau de lame avant d'utiliser le produit.



Lubrifiant pour chaîne et guide-chaîne



Sens de déplacement de la chaîne



Cet outil est conforme à l'ensemble des normes réglementaires du pays de l'UE où il a été acheté.



Marque de qualité EurAsian



Les produits électriques hors d'usage ne doivent pas être jetés avec les ordures ménagères. Recyclez-les par l'intermédiaire des structures disponibles. Contactez les autorités locales pour vous renseigner sur les conditions de recyclage.



Marque de conformité ukrainienne

Les symboles suivants, et les noms qui leur sont associés, permettent d'expliquer les différents niveaux de risques liés à l'utilisation de cet outil.

⚠ DANGER

Situation potentiellement dangereuse qui, si l'on n'y prend garde, peut entraîner la mort ou des blessures graves.

⚠ AVERTISSEMENT

Situation potentiellement dangereuse qui, si l'on n'y prend garde, peut entraîner la mort ou des blessures graves.

⚠ MISE EN GARDE

Situation potentiellement dangereuse qui, si l'on n'y prend garde, peut entraîner des blessures moyennes ou légères.

MISE EN GARDE

Sans symbole d'alerte de sécurité

Indique une situation pouvant entraîner des dommages matériels.

EN

FR

DE

ES

IT

NL

PT

DA

SV

FI

NO

RU

PL

CS

HU

RO

LV

LT

ET

HR

SL

SK

BG

UK

Sicherheit, Leistung und Zuverlässigkeit hatten oberste Priorität bei der Entwicklung Ihres Entaster-Aufsatzes.

BESTIMMUNGSGEMÄSSE VERWENDUNG

Dieser Entaster-Aufsatz ist zur Verwendung mit allen benzinbetriebenen Ryobi/Homelite-Antriebsköpfen mit 30cc oder weniger oder mit elektrisch betriebenen Antriebsköpfen mit RPH1200, RLT1238I, RBC1226I geeignet.

Er ist nur für den Gebrauch von Erwachsenen vorgesehen, die die Bedienungsanleitung und die Antriebskopf-Anleitung gelesen und verstanden haben und die für ihre Handlung verantwortlich werden können. Das Produkt ist nur zur Verwendung im Freien von einem einzelnen Benutzer vorgesehen, der sicher auf festem Boden steht. Aus Sicherheitsgründen muss das Produkt sicher mit zwei Händen gehalten werden.

Das Produkt ist zum Schneiden und Entasten von kleinen Ästen und Zweigen mit Durchmesser bis zu der Länge der Führungsschiene vorgesehen, die hoch an einem Baum sind, während der Benutzer sicher auf dem Boden steht. Das Produkt ist vorgesehen bis zu 2.6 m ausgefahren zu werden. Überschreiten Sie nicht diese Arbeitslänge.

Es ist nicht zur Verwendung beim Klettern oder als normale Kettensäge zum Entasten im Nahbereich und Schneiden von Material auf Bodenebene vorgesehen.

⚠️ WARNUNG

Die Sicherheitsregeln müssen befolgt werden, wenn dieses Produkt benutzt wird. Lesen Sie für Ihre eigene Sicherheit und die von Außenstehenden diese Anweisungen bevor Sie das Produkt benutzen. Bitte bewahren Sie die Anweisungen zum späteren Nachschlagen auf.

⚠️ WARNUNG

Der Aufsatz eignet sich nicht für die Nutzung von Antriebsköpfen mit Benzinmotor, bei denen zur Erleichterung Radfahrergriffe eingesetzt werden.

ALLGEMEINE SICHERHEITSWARNUNGEN

FÜR DIE MONTAGE MIT BENZINBETRIEBENEM ANTRIEBSKOPF

- Lesen und verstehen Sie für den sicheren Betrieb all Anweisungen, bevor Sie das Produkt benutzen. Befolgen Sie alle Sicherheitshinweise. Wenn nicht alle angeführten Anweisungen befolgt werden, kann es zu schweren Verletzungen kommen.
- Starten Sie den Motor niemals in geschlossenen oder schlecht gelüfteten Räumen und lassen Sie ihn niemals darin laufen; das Einatmen von Abgasen kann tödlich sein.
- Berühren Sie nicht die Fläche rund um den Schalldämpfer oder Zylinder des Produkts, diese Teile werden während des Betriebes heiß.
- Stellen Sie immer den Motor ab, bevor Einstellungen

vorgenommen werden. Lassen Sie die Maschine vor jeder Inspektion, Einstellung usw. abkühlen.

- Rauchen Sie nicht, wenn Sie Treibstoff mischen oder den Tank befüllen.
- Mischen und lagern Sie Treibstoff in einem für Treibstoff zugelassenen Behälter.
- Kraftstoff im Freien mischen. Es dürfen keine Funken oder Flammen zugegen sein. Verschütteten Kraftstoff sofort aufwischen. Entfernen Sie sich 9 m von dem Ort der Betankung, bevor Sie den Motor starten.
- Lassen Sie den Motor abkühlen; Leeren Sie den Kraftstofftank und ggf. Ölbehälter und sichern Sie das Gerät vor Bewegung vor dem Transport in einem Fahrzeug.

⚠️ WARNUNG

Wenn der Gashebel losgelassen ist und der Motor im Leerlauf läuft, darf sich die Kette nicht bewegen. Wenn sie sich doch weiter bewegt, besteht die Gefahr schwerer Verletzungen für den Benutzer. Benutzen Sie die Maschine nicht. Geben Sie sie an einen autorisierten Kundendienst zur professionellen Einstellung zurück.

FÜR DIE MONTAGE MIT ELEKTRISCH BETRIEBENEM ANTRIEBSKOPF

⚠️ WARNUNG

Lesen Sie alle Sicherheitshinweise und Anweisungen. Versäumnisse bei der Einhaltung der Sicherheitshinweise und Anweisungen können elektrischen Schlag, Brand und/oder schwere Verletzungen verursachen.

Bewahren Sie alle Sicherheitshinweise und Anweisungen für die Zukunft auf.

Der in den Sicherheitshinweisen verwendete Begriff „Elektrowerkzeug“ bezieht sich auf netzbetriebene Elektrowerkzeuge (mit Netzkabel) und auf akkubetriebene Elektrowerkzeuge (ohne Netzkabel).

ARBEITSPLATZSICHERHEIT

- Halten Sie Ihren Arbeitsbereich sauber und gut beleuchtet. Unordnung oder unbeleuchtete Arbeitsbereiche können zu Unfällen führen.
- Arbeiten Sie mit dem Elektrowerkzeug nicht in explosionsgefährdeter Umgebung, in der sich brennbare Flüssigkeiten, Gase oder Stäube befinden. Elektrowerkzeuge erzeugen Funken, die den Staub oder die Dämpfe entzünden können.
- Halten Sie Kinder und andere Personen während der Benutzung des Elektrowerkzeugs fern. Bei Ablenkung können Sie die Kontrolle über das Gerät verlieren.

ELEKTRISCHE SICHERHEIT

- Der Anschlussstecker des Elektrowerkzeuges muss in die Steckdose passen. Der Stecker darf in keiner Weise verändert werden. Verwenden Sie keine Adapterstecker gemeinsam mit



schutzgeerdeten Elektrowerkzeugen. Unveränderte Stecker und passende Steckdosen verringern das Risiko eines elektrischen Schlages.

- **Vermeiden Sie Körperkontakt mit geerdeten Oberflächen wie von Rohren, Heizungen, Herden und Kühlschränken.** Es besteht ein erhöhtes Risiko durch elektrischen Schlag, wenn Ihr Körper geerdet ist.
- **Halten Sie Elektrowerkzeuge von Regen oder Nässe fern.** Das Eindringen von Wasser in ein Elektrowerkzeug erhöht das Risiko eines elektrischen Schlages.
- **Zweckentfremden Sie das Kabel nicht, um das Elektrowerkzeug zu tragen, aufzuhängen oder um den Stecker aus der Steckdose zu ziehen. Halten Sie das Kabel fern von Hitze, Öl, scharfen Kanten oder sich bewegenden Geräteteilen.** Beschädigte oder verwickelte Kabel erhöhen das Risiko eines elektrischen Schlages.
- **Wenn Sie mit einem Elektrowerkzeug im Freien arbeiten, verwenden Sie nur Verlängerungskabel, die auch für den Außenbereich zugelassen sind.** Die Anwendung eines für den Außenbereich geeigneten Verlängerungskabels verringert das Risiko eines elektrischen Schlages.
- **Wenn der Betrieb des Elektrowerkzeuges in feuchter Umgebung nicht vermeidbar ist, verwenden Sie einen Fehlerstromschutzschalter.** Der Einsatz eines Fehlerstromschutzschalters vermindert das Risiko eines elektrischen Schlages.

SICHERHEIT VON PERSONEN

- **Seien Sie aufmerksam, achten Sie darauf, was Sie tun und gehen Sie mit Vernunft an die Arbeit mit einem Elektrowerkzeug. Benutzen Sie kein Elektrowerkzeug, wenn Sie müde sind oder unter dem Einfluss von Drogen, Alkohol oder Medikamenten stehen.** Ein Moment der Unachtsamkeit beim Gebrauch des Elektrowerkzeuges kann zu ernsthaften Verletzungen führen.
- **Tragen Sie persönliche Schutzausrüstung und immer eine Schutzbrille.** Das Tragen persönlicher Schutzausrüstung, wie Staubmaske, rutschfeste Sicherheitsschuhe, Schutzhelm oder Gehörschutz, je nach Art und Einsatz des Elektrowerkzeuges, verringert das Risiko von Verletzungen.
- **Vermeiden Sie eine unbeabsichtigte Inbetriebnahme.** Vergewissern Sie sich, dass das Elektrowerkzeug ausgeschaltet ist, bevor Sie es an die Stromversorgung und/oder den Akku anschließen, es aufnehmen oder tragen. Wenn Sie beim Tragen des Elektrowerkzeuges den Finger am Schalter haben oder das Gerät eingeschaltet an die Stromversorgung anschließen, kann dies zu Unfällen führen.
- **Entfernen Sie Einstellwerkzeuge oder Schraubenschlüssel, bevor Sie das Elektrowerkzeug einschalten.** Ein Werkzeug oder Schlüssel, der sich in einem drehenden Geräteteil befindet, kann zu Verletzungen führen.
- **Vermeiden Sie eine abnormale Körperhaltung. Sorgen Sie für einen sicheren Stand und halten Sie**

jederzeit das Gleichgewicht. Dadurch können Sie das Elektrowerkzeug in unerwarteten Situationen besser kontrollieren.

- **Tragen Sie geeignete Kleidung. Tragen Sie keine weite Kleidung oder Schmuck. Halten Sie Haare, Kleidung und Handschuhe fern von sich bewegenden Teilen.** Lockere Kleidung, Schmuck oder lange Haare können von sich bewegenden Teilen erfasst werden.
- **Wenn Staubabsaug- und -auffangeinrichtungen montiert werden können, vergewissern Sie sich, dass diese angeschlossen sind und richtig verwendet werden.** Verwendung einer Staubabsaugung kann Gefährdungen durch Staub verringern.

VERWENDUNG UND BEHANDLUNG DES ELEKTROWERKZEUGES

- **Überlasten Sie das Gerät nicht. Verwenden Sie für Ihre Arbeit das dafür bestimmte Elektrowerkzeug.** Mit dem passenden Elektrowerkzeug arbeiten Sie besser und sicherer im angegebenen Leistungsbereich.
- **Benutzen Sie kein Elektrowerkzeug, dessen Schalter defekt ist.** Ein Elektrowerkzeug, das sich nicht mehr ein- oder ausschalten lässt, ist gefährlich und muss repariert werden.
- **Ziehen Sie den Stecker aus der Steckdose und/oder entfernen Sie den Akku, bevor Sie Geräteeinstellungen vornehmen, Zubehörteile wechseln oder das Gerät weglegen.** Diese Vorsichtsmaßnahme verhindert den unbeabsichtigten Start des Elektrowerkzeuges.
- **Bewahren Sie unbenutzte Elektrowerkzeuge außerhalb der Reichweite von Kindern auf. Lassen Sie Personen das Gerät nicht benutzen, die mit diesem nicht vertraut sind oder diese Anweisungen nicht gelesen haben.** Elektrowerkzeuge sind gefährlich, wenn sie von unerfahrenen Personen benutzt werden
- **Pflegen Sie Elektrowerkzeuge mit Sorgfalt. Kontrollieren Sie, ob bewegliche Teile einwandfrei funktionieren und nicht klemmen, ob Teile gebrochen oder so beschädigt sind, dass die Funktion des Elektrowerkzeuges beeinträchtigt ist. Lassen Sie beschädigte Teile vor dem Einsatz des Gerätes reparieren.** Viele Unfälle haben ihre Ursache in schlecht gewarteten Elektrowerkzeugen.
- **Halten Sie Schneidwerkzeuge scharf und sauber.** Sorgfältig gepflegte Schneidwerkzeuge mit scharfen Schneidkanten verklemmen sich weniger und sind leichter zu führen.
- **Verwenden Sie Elektrowerkzeug, Zubehör, Einsatzwerkzeuge usw. entsprechend diesen Anweisungen. Berücksichtigen Sie dabei die Arbeitsbedingungen und die auszuführende Tätigkeit.** Der Gebrauch von Elektrowerkzeugen für andere als die vorgesehenen Anwendungen kann zu gefährlichen Situationen führen.

EN
FR
DE
ES
IT
NL
PT
DA
SV
FI
NO
RU
PL
CS
HU
RO
LV
LT
ET
HR
SL
SK
BG
UK





SERVICE

- Lassen Sie Ihr Elektrowerkzeug nur von qualifiziertem Fachpersonal und nur mit Original-Ersatzteilen reparieren. Damit wird sichergestellt, dass die Sicherheit des Elektrowerkzeugs erhalten bleibt.

ZUSÄTZLICHE SICHERHEITSWARNUNGEN

- In einigen Regionen können Vorschriften die Benutzung dieses Produktes auf einige Tätigkeiten beschränken. Lassen Sie sich von Ihrer örtlichen Behörde beraten.
- Erlauben Sie niemals Kindern oder Personen, die mit diesen Anweisungen nicht vertraut sind, das Produkt zu benutzen. Die lokale Gesetzgebung regelt das Mindestalter des Benutzers.
- Stellen Sie sicher, dass alle Bedienelemente und Sicherheitsvorrichtung ordnungsgemäß funktionieren. Benutzen sie das Produkt nicht, wenn der "Aus" Schalter den Motor nicht stoppt.
- Tragen Sie vollen Augen- und Gehörschutz, feste und robuste Handschuhe sowie einen Kopfschutz, wenn Sie das Produkt betreiben; verwenden Sie eine Gesichtsmaske, wenn die Arbeitsbedingung staubig ist.
- Tragen Sie keine weite Kleidung, kurze Hosen oder jeglichen Schmuck.
- Binden Sie lange Haare zurück, so dass diese sich über Schulterhöhe befinden um zu verhindern, dass sie sich in beweglichen Teilen verfangen.
- Das Tragen von Gehörschutz verringert Ihre Fähigkeit Warnungen zu hören (Warnungen oder Zurufe). Der Benutzer muss dem, was im Arbeitsbereich vor sich geht ganz besondere Beachtung schenken.
- Der Betrieb ähnlicher Werkzeuge in der Umgebung erhöht das Risiko von Gehörschäden und die Wahrscheinlichkeit, dass andere Personen Ihren Arbeitsbereich betreten.
- Achten Sie auf geschleuderte Gegenstände, halten Sie alle Zuschauer, Kinder und Haustiere mindestens 15 m von dem Arbeitsbereich fern. Stoppen Sie das Produkt, wenn jemand diesen Bereich betritt.
- Nicht bei schlechter Beleuchtung verwenden. Der Benutzer braucht einen ungehinderten Blick auf den Arbeitsbereich, um mögliche Gefahren zu erkennen.
- Halten Sie immer das Gleichgewicht. Vermeiden Sie eine abnormale Körperhaltung. Eine abnormale Körperhaltung kann zu einem Verlust des Gleichgewichts und die Gefahr eines Rückschlags erhöhen.
- Arbeiten Sie mit diesem Produkt nicht, wenn Sie müde oder krank sind, oder unter dem Einfluss von Alkohol, Drogen oder Medikamenten stehen.
- Halten Sie alle Körperteile von den sich bewegenden Teilen fern.
- Untersuchen Sie die Maschine vor der Benutzung. Überprüfen Sie den ordnungsgemäßen Betrieb aller Bedienelemente. Überprüfen Sie auf lockere Verschlüsse, stellen Sie sicher, dass alle Schutzabdeckungen und Griffe ordnungsgemäß und sicher befestigt sind. Ersetzen Sie vor der Benutzung

jegliche beschädigten Teile.

- Verändern Sie die Maschine nicht auf irgendeine Weise oder verwenden Teile oder Zubehör die nicht vom Hersteller empfohlen sind.
- Achten Sie darauf, dass Vertrautheit (aufgrund häufiger Benutzung des Werkzeugs) Sie nicht nachlässig werden lässt. Eine unvorsichtige Aktion kann in einem Sekundenbruchteil eine schwere Verletzung verursachen.
- Halten Sie die Griffe und Griffflächen trocken, sauber und frei von Öl und Schmierstoffen. Rutschige Griffe und Griffflächen verhindern die sichere Bedienung und Kontrolle des Werkzeugs in unerwarteten Situationen.

⚠ WARNUNG

Wenn das Produkt fallen gelassen wurde oder einen schweren Schlag erhielt oder ungewöhnlich vibriert, stoppen Sie das Produkt sofort und überprüfen es auf Schäden oder identifizieren Sie die Ursache der Vibration. Jeder Schaden sollte durch den autorisierten Kundendienst ordnungsgemäß repariert oder ausgetauscht werden.

FÜR DIE MONTAGE MIT ELEKTRISCH BETRIEBENEM ANTRIEBSKOPF

- Die Stromversorgung sollte über eine Fehlerstromschutzeinrichtung mit einem Auslösestrom von nicht mehr als 30 mA angeschlossen werden.
- Wenn Sie ein Verlängerungskabel benutzen müssen, stellen Sie sicher, dass es für den Einsatz im Freien geeignet ist und ausreichend für die Strombelastung Ihres Produktes ist. Überprüfen Sie es vor jeder Benutzung auf Schäden. Entrollen Sie es immer, weil aufgewickelte Kabel überhitzen können.
- Wenn das Stromkabel beschädigt ist, muss es vor der Verwendung ersetzt werden.

ENTASTER SICHERHEITSWARNUNGEN

- Benutzen Sie den Entaster niemals, wenn die Möglichkeit von Gewitter oder Blitz besteht. Lagern Sie den Entaster und die Netzkabel sicher im Haus.
- Stellen Sie sicher, dass alle Schutzabdeckungen und Griffe ordnungsgemäß befestigt und in gutem Zustand sind.
- Fangen Sie nicht an das Produkt zu benutzen, bevor Sie über einen sauberen Arbeitsplatz, sicheren Stand und einen Rückzugsweg weg von den fallenden Ästen oder Zweigen verfügen.
- Nehmen Sie sich vor Abgasen, Schmieröldunst und Sägespänen in Acht. Tragen Sie, wenn nötig, eine Maske oder Atemgerät.
- Halten Sie den Entaster bei der Benutzung immer mit beiden Händen. Benutzen Sie eine Hand, um den vorderen Griff festzuhalten. Greifen Sie mit der anderen Hand den hinteren Handgriff und nutzen das Produkt so..
- Halten Sie das Werkzeug nur an den isolierten Griffflächen fest, weil die Sägekette in Kontakt mit versteckten Drähten geraten könnte. Sägeketten die





ein stromführendes Kabel berühren, können Metallteile des Elektrowerkzeugs unter Strom stellen und den Bediener einem Stromschlag aussetzen.

- Verändern Sie nicht Ihr Produkt auf irgendeine Weise, oder verwenden Sie es nicht, um Anbauteile oder Geräte, die nicht vom Hersteller empfohlen sind, anzutreiben.
- Ihr Entaster wird mit einem Tragegeschirr geliefert. Sie müssen es bei der Nutzung des Entasters benutzen. Es wird Ihnen dabei helfen, den Entaster nach dem Schnitt zu kontrollieren. Es unterstützt auch das Gewicht der Maschine bei der Benutzung und während Sie die Arbeitsposition verändern.
- Ermitteln Sie, wie der Schnellverschluss funktioniert und üben Sie die Benutzung, bevor Sie die Maschine benutzen. Dessen richtige Benutzung kann im Notfall schwere Verletzungen verhindern. Tragen Sie niemals zusätzliche Kleidung über dem Schultergurt oder schränken den Zugriff zu dem Schnellverschluss anderweitig ein.
- Achten Sie vor dem Starten des Werkzeugs darauf, dass keine Gegenstände die Sägekette berühren.
- Eine falsch gespannte Kette kann von der Führungsschiene springen und zu schweren Verletzungen oder Tod führen. Vor jeder Benutzung überprüfen und ölen, besonders eine neue Kette.
- Um das Risiko von Verletzungen durch bewegliche Teile zu verringern, schalten Sie das Gerät immer aus und ggf. trennen Sie es von der Stromversorgung und stellen Sie sicher, dass alle beweglichen Teile zum Stillstand gekommen sind, bevor:
 - Sie das Produkt reinigen oder eine Blockierung entfernen.
 - Sie das Produkt unbeaufsichtigt zurücklassen.
 - Sie Aufsätze montieren oder entfernen.
 - Sie die Maschine prüfen, warten oder daran arbeiten
- Rückschlag kann auftreten, wenn die Spitze der Führungsschiene einen Gegenstand berührt oder wenn das Holz sich biegt und die Sägekette im Schnitt festklemmt. Eine Berührung mit der Schienenspitze kann in manchen Fällen zu einer unerwarteten Reaktion führen, bei der die Führungsschiene nach oben und in die Richtung des Bedieners geschlagen wird. Das Verklemmen der Sägekette an der Oberkante der Führungsschiene kann die Schiene rasch in Bedierrichtung zurückstoßen. Jede dieser Reaktionen kann dazu führen, dass Sie die Kontrolle über den Entaster verlieren und sich möglicherweise schwer verletzen. Verlassen Sie sich nicht ausschließlich auf die in die Maschine eingebauten Sicherheitseinrichtungen. Als Benutzer eines Entasters sollten Sie verschiedene Maßnahmen ergreifen, um Ihre Sägearbeiten unfall- bzw. verletzungsfrei zu halten. Ein Rückschlag ist die Folge Ein Rückschlag ist die Folge eines falschen oder fehlerhaften Gebrauchs des Werkzeugs. Er kann durch durch geeignete Vorsichtsmaßnahmen, wie nachfolgend beschrieben, verhindert werden:
 - Ein grundlegendes Verständnis des Rückschlags kann den Überraschungseffekt verringern oder

eliminieren. Überraschungen tragen zu Unfällen bei.

- Stellen Sie sicher, dass der Bereich, in dem die Sägearbeiten durchgeführt werden, frei von Hindernissen ist. Lassen Sie die Spitze der Führungsschiene Zweige, Äste oder andere Gegenstände nicht berühren, während Sie das Gerät benutzen.
- Halten Sie den Entaster mit beiden Händen an den Griffen fest. Bringen Sie Ihren Körper und die Arme in eine Stellung, in der Sie den Rückschlagkräften standhalten können. Wenn geeignete Maßnahmen getroffen werden, kann der Bediener die Rückschlagkräfte beherrschen. Lassen Sie den Entaster niemals los.
- Vermeiden Sie eine abnormale Körperhaltung. Dadurch wird ein unbeabsichtigtes Berühren mit der Schienenspitze vermieden und eine bessere Kontrolle des Entasters in unerwarteten Situationen ermöglicht.
- Verwenden Sie stets vom Hersteller vorgeschriebenen Ersatzschiene und -ketten. Falsche Ersatzschiene und -ketten können zum Reißen der Kette und / oder zu Rückschlag führen.
- Das Schärfen der Kette ist eine anspruchsvolle Aufgabe. Deshalb empfiehlt der Hersteller, dass eine abgenutzte oder stumpfe Kette mit einer neuen ersetzt wird, erhältlich bei Ihrem Ryobi Kundendienst. Die Teilenummer ist in der Tabelle der Produktspezifikation in dieser Bedienungsanleitung aufgeführt.
- Nicht auf einer Leiter oder auf unsicherem Untergrund verwenden. Beim Schneiden immer mit beiden Beinen fest am Boden stehen, um das Gleichgewicht nicht zu verlieren.
- Arbeiten Sie zum Schutz vor Stromschlag nicht innerhalb 10m von Freileitungen!
- Entfernen Sie Äste in Teilen. Nicht in gefährlichen Positionen berühren. Achten Sie auf fallende Äste oder solche die zurückprallen, nachdem sie auf den Boden gefallen sind.
- Beim Sägen von dünnen Ästen und jungen Bäumen besonders vorsichtig sein, da dünnes Holz an der Säge hängen bleiben und in Richtung Bediener geschneit werden oder den Bediener aus dem Gleichgewicht bringen kann.
- Beim Schneiden eines unter Spannung stehenden Astes auf Zurückschnellen achten, damit man bei Entfernung des Widerstands nicht durch zurückschnellendes Holz getroffen wird.
- Wenn die Schneidleistung mit der Zeit nachlässt, überprüfen Sie, ob die Sägezähne scharf und sauber sind. Wenn notwendig, ersetzen Sie die Originalkette (und Schiene) wie vom Hersteller empfohlen.
- Wenn die Sägekette und/oder die Teleskopstange in Ästen, die zu hoch sind, um sie zu erreichen, eingeklemmt werden, suchen Sie den Rat eines professionellen Baumpflegers, um die Schneidvorrichtung sicher zu entfernen.



⚠️ WARNUNG

Überprüfen Sie vor jeder Benutzung und in regelmäßigen Intervallen, dass die Schaftverbindungen der Teleskopstange und das Werkzeug sicher befestigt sind.

PERSÖNLICHE SCHUTZAUSRÜSTUNG.

Guter Qualität und persönliche Schutzausrüstung, wie sie von Profis benutzt wird, hilft die Gefahr von Verletzungen des Benutzers zu verringern. Die folgenden Artikel sollten beim Einsatz Ihres Produktes benutzt werden.

Sicherheitshelm

- sollte EN 397 erfüllen und CE gekennzeichnet sein.

Gehörschutz

- sollte EN 352-1 erfüllen und CE gekennzeichnet sein.

Augen- und Gesichtsschutz

- sollte CE gekennzeichnet sein und EN 166 erfüllen (für Sicherheitsbrillen) oder EN 1731 (für Gittervisiere)

Handschuhe

- sollte EN 381-7 erfüllen und CE gekennzeichnet sein.

Schuhwerk

- sollte EN 20345 erfüllen und CE gekennzeichnet sein.

BETRIEB – ENTASTEN

- Untersuchen Sie den Zustand des Baumes und der Äste, bevor Sie mit der Arbeit beginnen. Wenn es Anzeichen von Schäden, Fäulnis oder Verfall gibt, versuchen Sie nicht zu schneiden. Beschädigte oder verfaulte Äste sind sehr unsicher. Holen Sie den Rat eines professionellen Baumpflegers ein.
- Stehen Sie niemals unter einem zu schneidenden Ast.
- Stellen Sie sicher, dass der fallende Ast keine Gefahr zur Sie, Zuschauer oder Eigentum, einschließlich Verlängerungskabeln, darstellt. Sie werden leicht gefangen und von anderem Bewuchs abgelenkt. Stellen Sie sicher, dass ein Sicherheitsbereich von mindestens der doppelten Länge des zu schneidenden Astes verfügbar ist und während des Entastens eingehalten wird. Wenn das nicht möglich ist, verwenden Sie die Dienstleistung eines professionellen Baumpflegers.
- Stellen Sie sicher, dass der fallende Ast keine Gefahr für Sie, Zuschauer oder Eigentum, einschließlich Verlängerungskabeln, darstellt.
- Benutzen Sie das Werkzeug niemals mit der Teleskopstange in einem Winkel von mehr als 60° von der Horizontale.
- Benutzen Sie den Entaster niemals mit dem Schneidwerkzeug näher als 10m von Freileitungen entfernt.
- Führen Sie das Produkt nicht mit Gewalt, lassen Sie die Kette die Arbeit mit der richtigen Geschwindigkeit

machen.

- Versuchen Sie nicht Äste zu nah an dem Baumstamm zu schneiden. Lassen Sie ungefähr 15 cm Platz zwischen Baumstamm und Schnitt.
- Setzen Sie die Sägeschiene auf den zu schneidenden Ast und drücken die Säge sanft nach vorne, so dass der geriffelte Puffer auch den Ast berührt. Das unterstützt die Stabilität, das Schneiden und führt zu saubereren Schnitten.
- Kleine Äste die dünn und leicht sind können in einem Schnitt mit der Unterseite der Sägeschiene geschnitten werden.
- Für Ästen mit größerem Umfang und Gewicht, wenn der Ast beim Schneiden brechen oder splintern kann, sollte der erste Schnitt an der Unterseite des Astes mit der Oberkante der Säge gemacht werden. Führen Sie diesen Schnitt ungefähr zu einem Drittel durch den Ast aus. Führen Sie dann einen zweiten Schnitt von oberhalb des Astes mit der Unterseite der Sägeschiene durch, um den ersten Schnitt zu verbinden.
- Erwägen Sie große Äste in kleinen Abschnitten zu schneiden, und nicht als ganzes.
- Versuchen Sie niemals einen angefangenen Schnitt mit der Kette und der Führungsschiene in dem früheren Schnitt weiterzuführen. Fangen Sie immer mit einem neuen Schnitt an. Dies verringert das Risiko von Rückschlag und Verletzungen.

TRANSPORT UND LAGERUNG

FÜR DIE MONTAGE MIT BENZINBETRIEBENEM ANTRIEBSKOPF

- Stoppen Sie die Maschine und lassen Sie sie abkühlen, bevor Sie sie lagern oder transportieren.
- Entfernen Sie alle Fremdkörper vom Produkt.
- Stellen Sie sicher, dass die Kette leicht eingeeölt ist, um Rost zu verhindern. Der Hersteller empfiehlt die Benutzung von Ryobi Schienen- und Kettenöl, das von Ihren autorisierten Ryobi Kundendienst erhältlich ist.
- Decken Sie die Säge mit der Schienenabdeckung ab.
- Den gesamten Treibstoff aus dem Treibstofftank in einen für Benzin zugelassenen Behälter ablassen. Denken Sie daran, den Tankdeckel richtig wieder aufzusetzen und ihn festzuziehen.
- Lassen Sie ggf. das Schmiermittel aus dem Tank in einen für Schmiermittel zugelassenen Behälter aus. Denken Sie daran, die Schmiermittelkappe richtig wieder einzusetzen.
- Den Motor laufen lassen, bis er stoppt. Das entfernt das gesamte Kraftstoff-/Ölgemisch, das alt werden könnte und Ablagerungen und eine Gummierung des Kraftstoffsystems verursachen könnte.
- Lagern Sie das Gerät an einem trockenen und gut belüfteten Ort, der Kindern keinen Zugang bietet. Von korrodierend wirkenden Stoffen, wie Gartenchemikalien und Enteisungssalzen, fernhalten.
- Nicht im Freien lagern.
- Sichern Sie das Produkt beim Transport in einem Fahrzeug gegen Bewegung oder Herunterfallen, um

Verletzungen und Beschädigung des Produktes zu verhindern.

- Tragen oder transportieren Sie das Produkt niemals während des Betriebs.
- Alle Gesetze und örtlichen Vorschriften für die sichere Aufbewahrung und den Umgang mit Benzin einhalten.

KURZFRISTIGE AUFBEWAHRUNG (WENIGER ALS EINEN MONAT)

- Stoppen Sie die Maschine und lassen Sie sie abkühlen, bevor Sie sie lagern oder transportieren.
- Entfernen Sie alle Fremdkörper vom Produkt.
- Decken Sie die Sägekette mit der Schienenabdeckung ab, bevor Sie das Gerät lagern oder während des Transports.
- Lagern Sie das Gerät an einem trockenen und gut belüfteten Ort, der Kindern keinen Zugang bietet.
- Von korrodierend wirkenden Stoffen, wie Gartenchemikalien und Enteisungssalzen, fernhalten.
- Nicht im Freien lagern.

FÜR DIE MONTAGE MIT ELEKTRISCH BETRIEBENEM ANTRIEBSKOPF

- Stoppen Sie das Produkt, trennen Sie es von der Stromversorgung und wickeln Sie das Kabel auf. Lassen Sie den Motor abkühlen.
- Entfernen Sie alle Fremdkörper vom Produkt. Lagern Sie das Gerät an einem trockenen und gut belüfteten Ort, der Kindern keinen Zugang bietet. Von korrodierend wirkenden Stoffen, wie Gartenchemikalien und Enteisungssalzen, fernhalten. Nicht im Freien lagern.
- Wenn das Gerät für längere Zeit gelagert wird (einen Monat oder länger), stellen Sie sicher, dass die Kette leicht eingeölt ist, um Rost zu verhindern. Der Hersteller empfiehlt die Benutzung von Ryobi Schienen- und Kettenöl, das von Ihren autorisierten Ryobi Kundendienst erhältlich ist.
- Benutzen Sie die Schienenabdeckung, bevor Sie das Gerät lagern oder beim Transport.
- Sichern Sie die Maschine beim Transport gegen Bewegung oder Herunterfallen, um Verletzungen und Beschädigung der Maschine zu verhindern.

WARTUNG UND PFLEGE

⚠️ WARNUNG

Verwenden Sie ausschließlich original Ersatzteile, Zubehör und Aufsätze des Herstellers. Nichtbefolgung kann mögliche Verletzungen oder schlechte Leistung verursachen und Ihre Garantie ungültig machen.

⚠️ WARNUNG

Service und Wartung des Gerätes erfordert besonderen Sorgfalt und Kenntnisstand und sollte nur durch qualifiziertes Personal durchgeführt werden. Wir empfehlen zu diesem Zweck das Produkt umgehend an ein autorisiertes Service Center zur Reparatur zu senden. Beim Service sollten Sie nur originale Ersatzteile benutzen.

⚠️ WARNUNG

Die Sägekette ist extrem scharf. Zur Vermeidung von Verletzungen, sein Sie extrem vorsichtig, wenn Sie den Kettenschutz reinigen, befestigen oder entfernen, und tragen Sie immer Schutzhandschuhe, wenn Sie an der Kette Wartungsarbeiten durchführen.

⚠️ WARNUNG

Falsche Wartung der Kette erhöht die Gefahr eines Rückschlags. Wenn eine beschädigte Kette nicht ersetzt oder repariert wird, kann es zu schweren Verletzungen kommen.

- Schalten Sie das Gerät aus und/oder ggf. trennen Sie das Produkt vom Stromnetz und stellen Sie sicher, dass alle beweglichen Teile vor der Durchführung von Wartungs- oder Reinigungsarbeiten zum Stillstand gekommen sind.
- Sie dürfen die die in dieser Bedienungsanleitung beschriebenen Einstellungen und Reparaturen durchführen. Kontaktieren Sie Ihren autorisierten Kundendienst für andere Reparaturen.
- Befolgen Sie die Anweisungen zur Schmierung der Kette und Kettenspannung und -einstellung.
- Reinigen Sie das Gehäuse und die Griffe nach jeder Benutzung des Produktes mit einem weichen, trockenen Lappen.
- Überprüfen Sie Bolzen, Muttern und Schrauben immer wieder ob alles fest angezogen wird so dass das Produkt in einem sicheren Betriebszustand ist. Jedes beschädigte Teil sollte durch den autorisierten Kundendienst ordnungsgemäß repariert oder ausgetauscht werden.

Wartungsplan

Tägliche Kontrollen	
Schmiermittel auf Schiene überprüfen	Vor jeder Verwendung
Kettenspannung	Vor jeder Benutzung und regelmäßig
Kettenschärfe	Vor jeder Benutzung, Sichtprüfung
Beschädigte Teile	Vor jeder Verwendung
Lose Befestigungsteile	Vor jeder Verwendung

Kraftstoff- Gemisch oder Kraftstoff und Schmiermittel überprüfen (nur bei benzinbetriebenen Antriebskopf)	Vor jeder Verwendung
Kupplung prüfen (nur bei benzinbetriebenen Antriebskopf) (keine Kettenbewegung im Leerlauf)	Vor jeder Verwendung
Netzkabel auf Beschädigungen prüfen (nur bei elektrisch angetriebenem Antriebskopf)	Vor jeder Verwendung

RESTRISIKEN:

Sogar wenn das Produkt wie vorgeschrieben benutzt wird, ist es unmöglich ein gewisses Restrisiko vollständig zu beseitigen. Die folgenden Gefahren können bei der Benutzung entstehen, und der Benutzer sollte besonders auf folgende Punkte achten:

- Durch Vibrationen verursachte Verletzungen. Benutzen Sie immer das richtige Werkzeug für die Aufgabe, benutzen Sie die vorgesehenen Griffe und schränken die Arbeitszeit und Exposition ein.
- Lärm kann zu Gehörschäden führen. Tragen Sie einen Gehörschutz und schränken Sie die Belastung ein.
- Kontakt mit freiliegenden Sägezähnen der Sägekette (Schnittgefahr).
- Unvorhergesehene, abrupte Bewegungen oder Rückschlag der Führungsschiene (Schnittgefahr).
- Teile die von der Sägekette wegfiegen (Schnittgefahr/ Injektionsgefahr).
- Geschleuderte Werkstücke (Holzspäne, Splitter).
- Einatmen von Staub und Teilchen.
- Hautkontakt mit Schmierstoff/Öl

RISIKOVERRINGERUNG

Vibrationen von in der Hand gehaltenen Werkzeugen können bei einigen Personen zu einem Zustand, der Raynaud-Syndrom genannt wird, führen. Symptome sind u.a. Kribbeln, Taubheitsgefühl und episodische Weißfärbung der Finger und treten normalerweise bei Kälte auf. Man geht davon aus, dass ererbte Faktoren, Kälte und Feuchtigkeit, Essgewohnheiten, Rauchen und Arbeitsweise zur Entwicklung dieser Symptome beitragen. Der Anwender kann Maßnahmen ergreifen, um die Auswirkungen der Vibrationen möglicherweise zu verringern:

- Halten Sie den Körper bei Kälte warm. Tragen Sie beim Betrieb des Geräts Handschuhe, um Hände und Handgelenke warm zu halten. Berichten zu Folge ist kaltes Wetter ein wesentlicher Faktor, der zum Raynaud Syndrom beiträgt.
- Betätigen Sie sich nach jedem Einsatz körperlich, um den Blutkreislauf zu steigern.

- Machen Sie regelmäßig Pausen. Beschränken Sie die Beanspruchung pro Tag.

Sollten bei Ihnen Symptome dieses Zustands auftreten, stellen Sie unverzüglich den Betrieb ein und suchen Sie in Hinblick auf die Symptome einen Arzt auf.

⚠️ WARNUNG

Verletzungen können durch lange Benutzung eines Werkzeugs entstehen oder verschlimmert werden. Machen Sie regelmäßig Pause, wenn Sie ein Werkzeug für lange Zeit benutzen.

MACHEN SIE SICH MIT IHREM PRODUKT VERTRAUT

Siehe Seite 175.

1. Kette
2. Führungsschiene
3. Sechskantmutter
4. Zahnkranzabdeckung
5. Schienenabdeckung
6. Öldeckel
7. Kurzes Stahlrohr
8. Kappe zum Aufhängen

SYMBOLE AUF DEM PRODUKT



Sicherheitswarnung



Lesen und verstehen Sie alle Anweisungen, bevor Sie das Produkt benutzen, befolgen Sie alle Warnungen und Sicherheitsanweisungen.



Tragen Sie Augen, Gehör und Kopfschutz.



Tragen Sie rutschfeste Sicherheitsschuhe, wenn Sie dieses Produkt benutzen.



Tragen Sie rutschfeste, strapazierfähige Handschuhe.



Nicht Regen oder feuchten Bedingungen aussetzen.



Stromschlaggefahr, halten Sie sich mindestens 10 m von Freileitungen fern.



Achten Sie auf geschleuderte oder fliegende Objekte. Halten Sie alle Zuschauer, besonders Kinder und Haustiere, mindestens 15 m von dem Arbeitsbereich fern.



Nehmen Sie vor der Benutzung die Schienenabdeckung ab.





Schmierung für Schiene und Kette



Drehrichtung der Kette



Dieses Gerät entspricht allen gesetzlichen Normen des Landes der Europäischen Union, in dem es gekauft wurde.



EurAsian Konformitätszeichen



Elektrische Geräte sollten nicht mit dem übrigen Müll entsorgt werden. Bitte entsorgen Sie diese an den entsprechenden Entsorgungsstellen. Wenden Sie sich an die örtliche Behörde oder Ihren Händler, um Auskunft über die Entsorgung zu erhalten.



Ukrainisches Prüfzeichen

Mit den folgenden Symbolen wird die Bedeutung der verschiedenen Risikostufen, die mit dem Produkt einhergehen, dargestellt.

⚠ GEFAHR

Weist auf eine unmittelbare gefährliche Situation hin, die bei Missachtung zu Tod oder ernsthafter Verletzung führen kann.

⚠ WARNUNG

Weist auf eine mögliche gefährliche Situation hin, die bei Missachtung zu Tod oder ernsthafter Verletzung führen kann.

⚠ VORSICHT

Weist auf eine mögliche gefährliche Situation hin, die bei Missachtung zu einer leichten oder mittleren Verletzung führen kann.

VORSICHT

Ohne Sicherheitswarnsymbol
Bezeichnet eine Situation die zu Sachbeschädigungen führen kann.



Se ha concedido la máxima prioridad a la seguridad, el rendimiento y la fiabilidad en el diseño del accesorio de podadora.

USO PREVISTO

Este accesorio de podadora está aprobado para su uso con todos los cabezales de potencia de gasolina Ryobi/Homelite de 30 cc o menos, o con el cabezal de potencia eléctrico RPH1200, RLT1238I, RBC1226I.

Está destinado a su uso exclusivo por parte de personas adultas que hayan leído y comprendido las instrucciones y las advertencias de este manual, y que se pueden considerar responsables de sus acciones. Este producto sólo está pensado para su uso al aire libre. Por razones de seguridad, es necesario controlar el producto correctamente utilizando las dos manos.

El aparato está diseñado para cortar y podar pequeñas ramas con un diámetro inferior o igual a la longitud de la espada, situadas en zonas altas del árbol, mientras que el operador tiene los pies firmemente apoyados en el suelo. El aparato está diseñado para extenderse hasta un máximo de 2,6 m. No supere esta longitud de trabajo.

No está concebido para su utilización en alturas ni como una motosierra convencional para cortar y podar material a corta distancia a nivel del suelo.

⚠ ADVERTENCIA

Al utilizar el producto, deben seguirse las normas de seguridad. Por su propia seguridad y la de los que le rodean, lea estas instrucciones antes de utilizar el producto. Guarde las instrucciones para usarlas en el futuro.

⚠ ADVERTENCIA

El aparato no es apto para uso con cabezales de alimentación a gasolina facilitados por manillares de motocicletas.

ALERTA DE SEGURIDAD GENERAL

PARA MONTAR CON CABEZAL DE POTENCIA DE GASOLINA

- Para un funcionamiento seguro, lea y comprenda todas las instrucciones antes de usar el producto. Siga todas las instrucciones de seguridad. El incumplimiento de cualquiera de las instrucciones puede provocar lesiones de gravedad.
- Nunca encienda o ponga el motor en funcionamiento en un área cerrada o poco ventilada; la inhalación de los gases de escape puede matar.
- No toque la zona alrededor del silenciador o cilindro del producto, ya que estas piezas se calientan con el funcionamiento.
- Detenga siempre el motor antes de realizar ningún ajuste. Deje que la máquina se enfríe antes de realizar inspecciones, ajustes, etc.
- No fume cuando mezcle combustible o rellene el

depósito de combustible.

- Mezcle y guarde el combustible en un recipiente autorizado para tal efecto.
- Mezcle el combustible al aire libre en una zona sin chispas ni llamas. Limpie con un trapo el combustible que se haya derramado. Aléjese 9 m (30 pies) del lugar de repostaje antes de arrancar el motor.
- Apague el motor y déjelo enfriar antes de repostar o guardar la unidad.
- Permita que el motor se enfríe, vacíe los depósitos de combustible y aceite (si corresponde), y asegure la unidad para que no se mueva al transportarla en un vehículo.

⚠ ADVERTENCIA

Cuando se suelta el gatillo del acelerador y el motor funciona al ralentí, el cabezal o cadena no debe moverse. Si continúa moviéndose, existe riesgo de lesiones graves al operario. No use la máquina. Entréguelo a un centro de servicio autorizado para que lo ajuste un profesional.

PARA MONTAR CON CABEZAL DE POTENCIA ELÉCTRICO

⚠ ADVERTENCIA

Lea todas las advertencias de peligro e instrucciones. El incumplimiento de las advertencias e instrucciones puede provocar descargas eléctricas, incendios y/o lesiones graves.

Conservar estas advertencias e instrucciones para poder consultarlas posteriormente.

El término "herramienta eléctrica" que aparece en las advertencias se refiere a su herramienta eléctrica (con cable) o con batería (sin cables).

ZONA DE TRABAJO

- **Mantenga el área de trabajo limpia y bien iluminada.** Las zonas oscuras o poco despejadas pueden provocar accidentes.
- **No utilice herramientas eléctricas en entornos inflamables, como puede ser en presencia de líquidos inflamables, gases o polvo.** Las herramientas eléctricas crean chispas que pueden inflamar el polvo o el humo.
- **Mantenga a los niños y personas ajenas alejadas de la zona en la que está utilizando la herramienta eléctrica.** Las distracciones pueden hacer que pierda el control de la herramienta.

SEGURIDAD ELÉCTRICA

- **Las conexiones de la herramienta eléctrica deben corresponder a los de la toma de corriente. No modifique el enchufe de ninguna manera. No utilice ningún adaptador con herramientas eléctricas conectadas a tierra.** Utilizar enchufes sin modificar y tomas correspondientes reducirán el riesgo de descargas eléctricas.





EN
FR
DE
ES
IT
NL
PT
DA
SV
FI
NO
RU
PL
CS
HU
RO
LV
LT
ET
HR
SL
SK
BG
UK

- **Evite el contacto corporal con superficies conectadas a tierra, como tuberías, radiadores, estufas y refrigeradores.** Existe un mayor riesgo de descargas eléctricas si su cuerpo está conectado a tierra.
- **No exponga este producto a la lluvia o humedad.** Si entra agua en una herramienta eléctrica podría aumentar el riesgo de descargas eléctricas.
- **Utilice correctamente el cable. No utilice el cable para llevar, tirar o desconectar el cable de la herramienta. Mantenga el cable lejos del calor, aceite, bordes afilados o partes móviles.** Los cables dañados o enredados aumentan el riesgo de descargas eléctricas.
- **A la hora de utilizar herramientas eléctricas al aire libre, utilice un alargador adecuado para uso en exteriores.** El uso de un cable adecuado para uso en exteriores reduce el riesgo de descargas eléctricas.
- **Si es inevitable utilizar una herramienta eléctrica en un lugar húmedo, utilice un dispositivo de corriente residual (RCD) como protección.** El uso de un RCD reduce el riesgo de descargas eléctricas.

SEGURIDAD PERSONAL

- **Manténgase alerta y atento a lo que está haciendo y utilice el sentido común al utilizar una herramienta eléctrica. No utilice una herramienta eléctrica cuando esté cansado o bajo la influencia de drogas, alcohol o medicamentos.** En un momento de descuido, mientras utiliza herramientas eléctricas podrían ocurrir lesiones personales graves.
- **Utilice un equipo de protección personal. Utilice siempre dispositivos de protección ocular.** El equipo de protección como las máscaras de polvo, calzado antideslizante de seguridad, cascos rígidos o unas condiciones adecuadas reducirán los daños corporales.
- **Evite la puesta en marcha accidental de la herramienta. Asegúrese de que el interruptor está en posición OFF antes de conectar la herramienta a una toma de corriente y/o batería, y levantar o transportar la herramienta.** El transporte de herramientas con el dedo sobre el interruptor o la conexión de herramientas eléctricas con el interruptor en ON puede causar accidentes.
- **Extraiga cualquier llave de ajuste antes de encender la herramienta eléctrica.** Una llave que se encuentra conectada a una pieza de rotación puede resultar en lesiones personales.
- **No se extienda demasiado. Afírmese bien en sus piernas y no extienda demasiado el brazo.** Esto permite un mejor control de la herramienta eléctrica en situaciones inesperadas.
- **Lleve ropa adecuada. No use ropa holgada o joyas. Mantenga su cabello, ropa y guantes lejos de las piezas móviles.** La ropa suelta, joyas o el cabello largo pueden quedar atrapados en las piezas móviles.
- **Si existen dispositivos para la conexión de accesorios de recogida y extracción de polvo, asegúrese de que están conectados y que se utilizan adecuadamente.** El uso de accesorios de

recogida de polvo puede reducir riesgos relacionados con el polvo.

USO Y CUIDADO DE LA HERRAMIENTA ELÉCTRICA

- **No fuerce el producto. Utilice la herramienta correcta para su aplicación.** La herramienta correcta hará un trabajo más seguro y mejor para el que ha sido diseñada.
- **No utilice la herramienta eléctrica si el interruptor de encendido no responde.** Cualquier herramienta que no puede ser controlada con el interruptor de encendido es peligrosa y debe ser reparada.
- **Desconecte el enchufe de la fuente de alimentación y/o extraiga la batería de la herramienta eléctrica antes de hacer cualquier ajuste, cambiar accesorios o almacenar herramientas eléctricas.** Estas medidas preventivas de seguridad reducen el riesgo de arranque accidental de la herramienta.
- **Coloque las herramientas eléctricas a ralenti fuera del alcance de los niños y no permita que personas no familiarizadas con la herramienta o con estas instrucciones la utilicen.** Las herramientas eléctricas son peligrosas en manos de personas no capacitadas.
- **Realice labores de mantenimiento de las herramientas eléctricas. Compruebe la alineación o unión de las piezas móviles, si existe rotura de piezas o cualquier otro problema que pueda afectar al funcionamiento de la herramienta. Si alguna pieza está dañada, la herramienta eléctrica debería repararse antes de volver a utilizarla.** Muchos accidentes son causados por un mantenimiento deficiente.
- **Mantenga las herramientas de corte bien afiladas y limpias.** Las herramientas de corte con bordes de corte afilados que tienen un mantenimiento adecuado reducen su deterioro y son más fáciles de controlar.
- **Utilice la herramienta, accesorios, partes eléctricas, etc., de acuerdo con estas instrucciones, teniendo en cuenta las condiciones de trabajo y el trabajo que se va a realizar.** Utilizar la herramienta eléctrica para realizar trabajos diferentes a los que esta herramienta está destinada podría dar como resultado una situación peligrosa.

MANTENIMIENTO

- **Su herramienta eléctrica debería ser reparada por personas cualificadas, que deberían utilizar únicamente piezas de repuesto idénticas.** Esto garantizará la seguridad a la hora de utilizar la herramienta eléctrica.

AVISOS DE SEGURIDAD ADICIONALES

- Algunas regiones tienen normativas que restringen el uso del producto para algunas operaciones. Consulte con su autoridad local para obtener información.
- Nunca permita que niños o personas no familiarizadas con las instrucciones utilicen este producto. Las regulaciones locales pueden restringir la edad del operario.
- Antes de cada uso, asegúrese de que todos los



controles y dispositivos de seguridad funcionan correctamente. No utilice el aparato si el interruptor "off" no para el motor.

- Lleve un equipo completo de protección auditiva y ocular, guantes fuertes resistentes, así como protección para la cabeza mientras esté utilizando el producto; use una mascarilla si el funcionamiento genera mucho polvo.
- No use ropa holgada, pantalones cortos ni joyería de ningún tipo.
- Recoja el cabello largo para que quede por encima del nivel de los hombros y evitar así que se enmarañe en cualquier pieza móvil.
- El uso de dispositivos de protección auditiva reducirá su capacidad para oír posibles advertencias (gritos o alarmas). El operador debe prestar atención extra a lo que está sucediendo en el área de trabajo.
- Utilizar herramientas similares a poca distancia aumenta tanto el riesgo de lesión auditiva como el riesgo potencial de que otras personas accedan a su área de trabajo.
- Tenga cuidado con los objetos que salen despedidos; mantenga a todos los transeúntes, niños y animales alejados al menos 15 m de la zona de trabajo. Apague el aparato si alguien entra en el área.
- No trabaje con esta herramienta en una zona mal iluminada. El operador debe tener una visión clara de la zona de trabajo para identificar peligros potenciales.
- Mantenga su pisada firme y su equilibrio. No se extienda demasiado. Estirarse demasiado puede resultar en la pérdida de equilibrio y puede aumentar el riesgo de retroceso.
- No utilice este producto si está cansado o si se encuentra bajo la influencia de drogas, alcohol o medicamentos.
- Mantenga las piezas en movimiento alejadas de su cuerpo.
- Inspeccione la máquina antes de cada uso. Compruebe que todos los controles funcionan correctamente. Compruebe que no haya piezas de sujeción sueltas, asegúrese de que todas las protecciones y mangos están bien sujetos. Sustituya cualquier pieza dañificada antes de su utilización.
- No modifique la herramienta de modo alguno ni utilice piezas o accesorios que no sean los recomendados por el fabricante.
- Una vez familiarizado con su herramienta (después de utilizarla algunas veces), no cometa errores por una falta de vigilancia. Una acción imprudente puede provocar lesiones graves en una fracción de segundo.
- Mantenga los mangos y las superficies de agarre secos, limpios y libres de aceite o grasa. Los mangos y superficies de sujeción resbaladizas no le permiten una sujeción y un control seguro de la herramienta en situaciones inesperadas.

⚠ ADVERTENCIA

Si el aparato se cae, sufre un impacto fuerte o empieza a vibrar de manera anormal, párelo inmediatamente y compruebe si está dañado o identifique el motivo de la vibración. La reparación de daños y la sustitución de piezas deben ser realizadas por un centro de servicio autorizado.

PARA MONTAR CON CABEZAL DE POTENCIA ELÉCTRICO

- El suministro eléctrico debería efectuarse mediante un dispositivo de corriente residual (RDC) con una corriente activa no superior a 30 mA.
- Si necesita utilizar una extensión, compruebe que es adecuada en uso en el exterior y que tiene una capacidad de corriente suficiente para alimentar el aparato. Antes de cada uso compruebe que no hay daños. Mantenga siempre los cables desenrollados mientras los utiliza ya que los cables enrollados pueden sobrecalentarse.
- Si el cable de corriente se daña, se debe sustituir antes de usar.

ADVERTENCIAS DE SEGURIDAD DE LA PODADORA

- Nunca utilice la podadora cuando exista la posibilidad de que haya tormenta o relámpago. Guarde la podadora y los cables de alimentación de forma segura en el interior.
- Asegúrese de que todas las protecciones y mangos están bien ajustados y en buenas condiciones.
- No empiece a usar el producto hasta que el área de trabajo esté despejada, tenga los pies firmes y cuente con una zona planificada para alejarse de la caída de ramas.
- Tenga cuidado con la emisión de neblina del lubricante y aserrín. Póngase una máscara o un respirador cuando sea necesario.
- Sujete siempre la podadora con las dos manos cuando la esté utilizando. Utilice una mano para sujetar con firmeza la empuñadura frontal. Utilice la otra mano para agarrar el asa trasera y manejar el producto.
- Sostenga la herramienta eléctrica solamente con las superficies aisladas, ya que la motosierra pueda tener cables ocultos. El contacto de la motosierra con un cable con corriente puede cargar las partes metálicas de la herramienta y puede provocar una descarga eléctrica.
- No modifique su producto de ningún modo ni lo utilice para alimentar accesorios o dispositivos no recomendados por el fabricante para su producto.
- La podadora viene con un arnés incluido. Debe utilizarla mientras maneja la podadora. Le ayudará a controlar la caída de la podadora al completar el corte. También le ayudará a soportar el peso de la máquina mientras la usa y mientras cambia de una posición a otra.
- Identifique el mecanismo de liberación rápida y practique utilizándolo antes de empezar a usar la máquina. Su uso correcto puede evitar lesiones graves



en caso de emergencia. No use ropa adicional sobre el arnés, ya que podría limitar el acceso al mecanismo de liberación rápida.

- Antes de arrancar la herramienta, asegúrese de que la cadena de la sierra no esté tocando ningún objeto.
- Una cadena mal tensada puede saltar fuera de la barra de guía, resultando en lesiones graves o la muerte. Compruébelo antes de cada uso y con frecuencia, especialmente cuando coloque cadenas nuevas.
- Para reducir el riesgo de daños asociados con piezas móviles, detenga siempre el producto, y desconéctelo de la corriente de suministro (si corresponde), asegurándose de que todas las piezas móviles se han parado antes:
 - limpieza y desobstrucción de bloqueo
 - detajar el producto desatendido
 - instalar o retirar accesorios
 - tareas de comprobación, mantenimiento o reparación de la herramienta
- Se puede producir un efecto de retroceso si el extremo de la espada toca un objeto o si la cadena se pellizca y se bloquea en la madera durante el corte. El contacto con la punta, en algunos casos, puede ocasionar una reacción inversa repentina, provocando que la barra guía salte hacia el usuario. Apretar la cadena de la sierra a lo largo de la parte superior de la barra de guía puede hacer que la barra de guía retroceda rápidamente hacia el operador. Cualquiera de estas reacciones puede provocar que se pierda el control de la máquina, lo que podría causar daños graves en el usuario. No confíe solo en los dispositivos de seguridad integrados en su máquina. Como usuario de la podadora, debe realizar varios pasos para que sus cortes se realicen de forma segura y no se produzcan daños o accidentes. El retroceso es el resultado de un uso incorrecto de la herramienta y/o de condiciones o procedimientos de manejo incorrectos, y se puede evitar tomando las precauciones necesarias según lo indicado abajo:
 - La comprensión del efecto de retroceso le permitirá reducir o eliminar el factor sorpresa. La sorpresa contribuye a los accidentes.
 - Compruebe que la zona en la que vaya a cortar esté libre de obstáculos. No deje que la punta de la barra de guía entre en contacto con una rama, extremidad o cualquier otra obstrucción mientras utiliza el aparato.
 - Sujete el aparato con firmeza, con las dos manos y con el cuerpo en una posición que le permita resistir las fuerzas de rebote. La fuerza del retroceso puede ser controlada por el usuario si se toman las precauciones adecuadas. No suelte la podadora.
 - No se extienda demasiado. Esto ayuda a impedir el contacto accidental del extremo de la barra y permite un mejor control del producto en situaciones inesperadas.
 - Utilice solo las cadenas y barras especificadas por el fabricante. El uso de barras y cadenas de recambio incorrectas podría provocar una ruptura de la cadena y/o un retroceso.
 - El afilado de la cadena de manera segura es

una tarea especializada. Por tanto, el fabricante recomienda encarecidamente que una cadena opaca o desgastada se sustituya por otra nueva, que se encuentra disponible en el centro de asistencia autorizado de Ryobi. El nombre de la pieza se encuentra disponible en la tabla de especificaciones de producto de este manual..

- No usar sobre una escalera o soporte inestable. Corte siempre con los dos pies bien asentados en un suelo firme para evitar que la acción de corte pueda desequilibrarle.
- Para evitar electrocutarse, no utilice el aparato a menos de 10 m de las líneas de alto voltaje por encima de la cabeza.
- Quite las ramas por partes. No utilice la herramienta en posiciones peligrosas. Tenga cuidado con las ramas que caen o con las que rebotan después de golpear el suelo.
- Extreme las precauciones cuando corte maleza o árboles jóvenes, ya que el material fino puede quedar atrapado en la cadena y golpearle o hacerle perder el equilibrio.
- Cuando corte una rama que esté sometida a una tensión, tenga cuidado para evitar el golpe brusco que puede provocar el corte.
- Si el rendimiento de corte disminuye a lo largo del tiempo, compruebe que los dientes de la cadena están afilados y limpios. En caso necesario, cambie la cadena original (y la barra) tal como recomienda el fabricante.
- Si la cadena y la espada se enganchan o se quedan atrapadas entre ramas demasiado elevadas, busque el consejo de un profesional especialista en el servicio de tala para averiguar cómo puede retirar la sierra de forma segura.

⚠ ADVERTENCIA

Antes de cada uso y a intervalos frecuentes, compruebe que todos los acoplamientos del eje de la vara telescópica y la herramienta están bien apretados.

EQUIPO DE PROTECCIÓN PERSONAL

Los equipos de protección individual de buena calidad, como los utilizados por profesionales, ayudarán a reducir el riesgo de lesiones al operario. Al utilizar su producto, debe utilizar los siguientes elementos:

Casco de seguridad

- debe cumplir la norma EN 397 y poseer el marcado CE

Protección auditiva

- debe cumplir la norma EN 352-1 y poseer el marcado CE

Protección ocular y para el rostro

- deben poseer el marcado CE y cumplir la norma EN 166 (para gafas de seguridad) o EN 1731 (para pantallas de rejilla)





Guantes

- debe cumplir la norma EN 381-7 y poseer el marcado CE

Calzado

- debe cumplir la norma EN 20345 y poseer el marcado CE

FUNCIONAMIENTO - PODA

- Estudie las condiciones del árbol y de las ramas antes de empezar a trabajar. Si existen signos de daño, putrefacción o degradación, no intente podar solo. Las ramas dañadas o podridas son sumamente inestables. Busque los servicios de un arboricultor profesional.
- No se coloque bajo una rama que vaya a podar.
- Las ramas podadas no siempre caen limpiamente al suelo. Pueden engancharse o desviarse debido a otro follaje. Mientras poda, asegúrese de respetar y mantener un área de seguridad que mida al menos el doble de la longitud de la rama que va a cortar. Si esto no es posible, busque los servicios de un arboricultor.
- Asegúrese de que la rama que va a caer no supone un peligro ni para usted ni para los transeúntes o los bienes, incluidos los cables.
- Nunca utilice la herramienta con la vara formando un ángulo de más de 60° con la horizontal.
- Nunca utilice la podadora con las partes cortantes a menos de 10m de las líneas de alto voltaje por encima de la cabeza.
- No fuerce el producto, deje que la cadena haga el trabajo a su propia velocidad.
- No intente cortar la rama demasiado cerca del tronco. Deje unos 15 cm de distancia entre el tronco hasta el corte.
- Apoye la espada de la sierra en la rama que va a cortar y empújela con suavidad hacia delante de forma que el tope estriado también entre en contacto con la rama. Esto puede mejorar la estabilidad, el corte y la limpieza de los cortes.
- Las pequeñas ramas ligeras y de pequeño diámetro pueden cortarse de una sola vez utilizando la parte inferior de la espada de la sierra.
- Las ramas con un mayor diámetro y más peso que puedan partirse o romperse durante el corte deberán cortarse primero desde abajo utilizando la parte superior de la espada de la sierra. Haga este corte a al menos 1/3 de la longitud a través de la rama. A continuación, haga un segundo corte desde arriba de la rama utilizando la parte inferior de la espada de la sierra para unirlos al primer corte.
- Poda las ramas grandes en secciones manejables en lugar de cortarlas de una sola vez.
- Nunca intente reiniciar un corte realizado previamente colocando la cadena y la espada en dicho corte. Empiece siempre con un nuevo corte. Esto reducirá el riesgo de rebote y las posibles lesiones.

TRANSPORTE Y ALMACENAMIENTO

PARA MONTAR CON CABEZAL DE POTENCIA DE GASOLINA

- Pare el producto y deje que se enfríe antes de guardarla o transportarla.
- Limpie todo el material extraño que pueda permanecer en el producto.
- Cuando vaya a guardar la unidad durante un período largo de tiempo (1 mes o más), asegúrese de que la cadena está ligeramente lubricada para evitar que se oxide. El fabricante recomienda usar el lubricante Ryobi para la espada y la cadena, disponible en cualquier centro de servicio autorizado de Ryobi.
- Cubra la espada de la sierra con la vaina antes de guardar el aparato mientras lo transporta.
- Vacíe completamente el depósito de combustible en un contenedor de gasolina homologado. Recuerde sustituir y apretar el tapón de combustible correctamente.
- Si procede, drene todo el lubricante del depósito en un contenedor aprobado para lubricantes. Recuerde volver a colocar correctamente el tapón del lubricante.
- Deje funcionar el motor hasta que se detenga. Esto eliminará todo el combustible que puede quedar viejo y deje barniz y goma en el sistema de combustible.
- Guarde en una zona seca y bien ventilada, a la que no puedan acceder los niños. Evite el contacto con agentes corrosivos tales como productos químicos de jardinería o sales descongelantes.
- No almacenar al aire libre.
- Para transportar el producto, sujételo de modo que no se mueva ni se caiga para evitar lesiones personales o daños al producto.
- No lleve ni transporte el producto mientras esté funcionando.
- Respete toda la legislación nacional y local sobre seguridad para el almacenamiento y la manipulación de la gasolina.

ALMACENAMIENTO A CORTO PLAZO

- Pare la máquina y deje que se enfríe antes de guardarla o transportarla.
- Limpie todo el material extraño que pueda permanecer en el producto.
- Cubra la lámina con la debida protección antes de guardarla, o durante el transporte de la misma.
- Guarde en una zona seca y bien ventilada, a la que no puedan acceder los niños.
- Evite el contacto con agentes corrosivos tales como productos químicos de jardinería o sales descongelantes.
- No almacenar al aire libre.

PARA MONTAR CON CABEZAL DE POTENCIA ELÉCTRICO

- Detenga el producto, desconéctelo de la corriente eléctrica y enrolle el cable. Deje que el motor se enfríe.
- Limpie todo el material extraño que pueda permanecer





en el producto. Guarde en una zona seca y bien ventilada, a la que no puedan acceder los niños. Evite el contacto con agentes corrosivos tales como productos químicos de jardinería o sales descongelantes. No almacenar al aire libre.

- Cuando vaya a guardar la unidad durante un período largo de tiempo (1 mes o más), asegúrese de que la cadena está ligeramente lubricada para evitar que se oxide. El fabricante recomienda usar el lubricante Ryobi para la espada y la cadena, disponible en cualquier centro de servicio autorizado de Ryobi.
- Cubra la espada de la sierra con la vaina antes de guardar el aparato mientras lo transporta.
- Para el transporte, asegure la máquina para que no se mueva ni se caiga y evitar así lesionar a alguien o dañar la máquina.

MANTENIMIENTO

⚠ ADVERTENCIA

Utilice sólo piezas y accesorios de recambio originales del fabricante. Si no lo hace podría ocurrir un mal funcionamiento, podrían producirse daños o podría quedar anulada la garantía.

⚠ ADVERTENCIA

Las reparaciones requieren tener mucho cuidado y conocimiento y sólo debe realizarse por un técnico de servicio calificado. Para obtener servicio, le sugerimos que devuelva el producto al centro de servicio autorizado más cercano para reparación. Al realizar una reparación, sólo use piezas de reemplazo idénticas.

⚠ ADVERTENCIA

La cadena está muy afilada. Para evitar lesiones personales, tenga sumo cuidado al limpiar, ajustar o retirar la vaina de la sierra y lleve siempre puestos los guantes de protección cuando vaya a realizar el mantenimiento de la cadena.

⚠ ADVERTENCIA

Un mantenimiento inadecuado de la cadena incrementa el peligro de retroceso. Si no se sustituye o se repara a tiempo una cadena dañada, puede ocasionar lesiones graves.

- Apague o desconecte el producto de la corriente eléctrica y asegúrese de que todas las piezas móviles se han detenido por completo antes de llevar a cabo cualquier labor de mantenimiento o limpieza.
- Usted puede realizar los ajustes y reparaciones descritos en este manual del usuario. Para otro tipo de reparaciones póngase en contacto con un agente de servicios autorizado.
- Siga las instrucciones para lubricar, ajustar y comprobar la tensión de la cadena.

- Después de cada uso, limpie la estructura y los mangos del aparato con un paño seco y suave.
- Verifique a intervalos frecuentes si todas las tuercas, pernos y tornillos están apretados apropiadamente para asegurarse de que el producto esté en buenas condiciones de trabajo. Cualquier pieza dañada debe ser sustituida o reparada adecuadamente por un centro de servicio autorizado.

Programa de Mantenimiento

Revisión diaria	
Lubricante de barra	Antes de cada uso
Tensión de la cadena	Antes de cada uso y con frecuencia
Filo de la cadena	Antes de cada uso, inspección visual
Si hay piezas dañadas	Antes de cada uso
Si hay sujetadores sueltos	Antes de cada uso
Mezcla de combustible o combustible y lubricante (exclusivamente para cabezales impulsados por petróleo)	Antes de cada uso
E m b r a g u e (exclusivamente para cabezales impulsados por petróleo) (sin movimiento de cadena en ralentí)	Antes de cada uso
Cable de corriente para daños (exclusivamente para cabezales eléctricos)	Antes de cada uso

RIESGOS RESIDUALES:

Incluso cuando se utiliza el producto según las instrucciones, sigue siendo imposible eliminar por completo ciertos factores de riesgo residuales. Los siguientes peligros pueden surgir en el uso y el operador debe prestar especial atención para evitar lo siguiente:

- Lesiones por vibración. Utilice siempre la herramienta adecuada para el trabajo, utilice los mangos pertinentes y limite el tiempo de trabajo y de exposición.
- La exposición al ruido puede causar pérdidas de audición. Use protección para los oídos y limite el tiempo de exposición.
- Contacto con los dientes de sierra de la motosierra expuestos (riesgo de cortes).
- Movimiento brusco o retroceso violento e imprevisto de la barra guía (riesgo de cortes).
- Piezas eyectadas por la motosierra (peligro de corte/inyección).
- Piezas proyectadas de la pieza de trabajo (virutas de madera, astillas).
- Inhalación de serrín y partículas.
- Contacto de la piel con el lubricante/aceite.



REDUCCIÓN DEL RIESGO

Se ha informado de que las vibraciones de las herramientas de mano puede contribuir a una condición llamada síndrome de Raynaud en ciertos individuos. Los síntomas pueden incluir hormigueo, entorpecimiento y decoloración de los dedos, generalmente aparentes cuando tiene lugar una exposición al frío. Se considera que los factores hereditarios, exposición al frío y a la humedad, dieta, tabaquismo y prácticas de trabajo contribuyen al desarrollo de estos síntomas. Existen medidas que pueden ser tomadas por el operador para reducir los efectos de vibración:

- Mantenga su cuerpo caliente durante el tiempo frío. Al manipular la unidad, utilice guantes para mantener las manos y las muñecas calientes. Hay informes que indican que el tiempo frío es un gran factor que contribuye al síndrome de Raynaud.
- Después de cada período de funcionamiento, realice ejercicios para aumentar la circulación sanguínea.
- Haga pausas de trabajo frecuentes. Limite la cantidad de exposición por día.

Si siente alguno de los síntomas de esta enfermedad, interrumpa inmediatamente el uso y consulte a su médico estos síntomas.

⚠ ADVERTENCIA

El uso prolongado de una herramienta puede causar o agravar lesiones. Al utilizar cualquier herramienta durante períodos prolongados asegúrese de tomar descansos regulares.

CONOZCA SU PRODUCTO

Véase la página 175.

1. Cadena
2. Barra
3. Tuerca hexagonal
4. Cubierta de la rueda dentada
5. Funda
6. Tapa
7. Tubo de acero corto
8. Eje del accesorio

SÍMBOLOS EN EL PRODUCTO



Advertencia



Lea y comprenda todas las instrucciones antes de manipular el producto, respete las advertencias y las instrucciones de seguridad.



Póngase protección para los ojos, los oídos y la cabeza.



Utilice calzado de seguridad antideslizante cuando utilice este producto.



Use guantes de trabajo resistentes, antideslizantes.



No la exponga a la lluvia o a lugares húmedos.



Riesgo eléctrico, utilizar a al menos 10 m de cables eléctricos



Tenga cuidado con los objetos volátiles o lanzados. Mantenga a todos los espectadores, especialmente a los niños y las mascotas, por lo menos a 15 metros de la zona de trabajo.



Quite siempre la funda antes de utilizar el producto.



Lubricante para la barra y cadena



Dirección de movimiento de la cadena



Esta herramienta responde a todas las normas reglamentarias del país de la UE donde se ha comprado.



Certificado EAC de conformidad



Los productos eléctricos de desperdicio no deben desecharse con desperdicios caseros. Por favor recíclelos donde existan dichas instalaciones. Compruebe con su autoridad local o minorista para reciclar.



Marca de conformidad ucraniana

Los siguientes símbolos y palabras detallan los niveles de cuidado necesarios para usar este producto.

⚠ PELIGRO

Indica una situación potencialmente peligrosa que, de no evitarse, puede ocasionar la muerte o heridas de gravedad.

⚠ ADVERTENCIA

Indica una situación peligrosa que, de no evitarse, puede ocasionar la muerte o heridas de gravedad.

⚠ ADVERTENCIA

Indica una situación potencialmente peligrosa que, de no evitarse, puede ocasionar heridas leves.

ADVERTENCIA

Sin símbolo de alerta de seguridad

Indica una situación que puede causar daños en las cosas.

Il design dell'accessorio potatore è stato progettato per offrire sicurezza, prestazioni e affidabilità.

UTILIZZO RACCOMANDATO

Questo dell'accessorio potatore è approvato per l'uso con tutti i motori a benzina Ryobi/Homelite da 30cc o inferiore o con motore elettrico RPH1200, RLT1238I, oRBC1226I.

L'accessorio è destinato ad essere utilizzato solo da adulti che hanno letto e compreso le istruzioni e le avvertenze contenute in questo manuale e possono essere considerati responsabili delle loro azioni. Prodotto da utilizzare solo all'esterno. Per ragioni di sicurezza, l'utensile deve essere adeguatamente controllato utilizzando sempre due mani.

Il prodotto è progettato per tagliare e potare piccoli rami e arbusti il cui diametro è inferiore o uguale a quello della lunghezza della barra, e che si trovano in alto rispetto alla posizione dell'operatore che manterrà quindi a terra una posizione salda ed equilibrata. Il prodotto è progettato per essere esteso a una lunghezza massima di 2.6 m. Non superare questa lunghezza di lavoro.

Non adatto ad essere utilizzato su scale o come una motosega convenzionale per tagliare rami da vicino o potare materiali a terra.

⚠ AVVERTENZA

Quando si utilizza questo prodotto, seguire eventuali norme di sicurezza. Per la propria sicurezza e per la sicurezza degli osservatori, leggere queste istruzioni prima di mettere in funzione il prodotto. Conservare le istruzioni per eventuali riferimenti futuri.

⚠ AVVERTENZA

Prodotto non adatto ad essere utilizzato con testine di alimentazione a benzina facilitate da impugnature a bicicletta.

AVVERTENZE GENERALI DI SICUREZZA

PER L'ASSEMBLAGGIO CON MOTORE A BENZINA

- Per un funzionamento sicuro, leggere e comprendere tutte le istruzioni prima di utilizzare il prodotto. Seguire tutte le istruzioni di sicurezza. La mancata osservanza di tutte le istruzioni può portare a gravi infortuni.
- Non avviare il motore all'interno o in una zona poco ventilata; respirare fumi di scarico può uccidere.
- Non toccare la parte intorno al silenziatore o al cilindro del prodotto dal momento che con l'uso si surriscaldano.
- Arrestare sempre il motore prima di effettuare qualsiasi regolazione. Lasciare che l'utensile si raffreddi prima di svolgere gli eventuali controlli, regolazioni, ecc.
- Non fumare mentre si miscela carburante o si riempie il serbatoio di carburante.
- Miscelare e riporre il carburante in un contenitore idoneo.
- Miscelare il carburante all'aperto, in assenza di scintille o fiamme. Ripulire qualsiasi versamento. Spostarsi a 9 m (30 piedi) dalla zona di ricarica carburante prima di

avviare il motore.

- Arrestare il motore e lasciare raffreddare prima di ricaricare il carburante e riporre l'unità.
- Lasciare raffreddare il motore; svuotare il serbatoio del carburante e il serbatoio dell'olio (se applicabile), e fissare l'unità per impedire che si muova prima di trasportarla in un veicolo.

⚠ AVVERTENZA

Quando la leva dell'aria viene rilasciata e il motore gira al minimo, l'accessorio di taglio o la catena non devono muoversi. Se la motosega continua a muoversi, potrà causare gravi lesioni all'operatore. Non utilizzare la macchina. Riportare presso un centro servizi autorizzato per regolazioni professionali.

PER L'ASSEMBLAGGIO CON MOTORE ELETTRICO

⚠ AVVERTENZA

Leggere tutte le avvertenze di sicurezza e le istruzioni. La mancata osservanza di tutte le istruzioni potrà causare scosse elettriche, incendi e/o gravi lesioni personali.

Conservare le presenti avvertenze ed istruzioni per poterle consultare in seguito.

Il termine "elettroutensile" nelle avvertenze fa riferimento a un elettroutensile che funziona con una spina (con cavo) o a batterie (senza cavo).

AMBIENTE DI LAVORO

- **Mantenere l'area di lavoro pulita e ben illuminata.** Aree di lavoro disordinate o non illuminate adeguatamente potranno causare incidenti.
- **Non mettere in funzione gli elettroutensili in atmosfere esplosive, come in presenza di liquidi infiammabili, gas o polvere.** Gli elettroutensili creano scintille che possono causare incendi a contatto con polveri e fumi.
- **Tenere bambini ed eventuali osservatori lontani mentre si mette in funzione l'elettroutensile.** Eventuali distrazioni potranno causare una perdita di controllo.

SICUREZZA ELETTRICA

- **La spina dell'elettroutensile deve corrispondere alla presa. Non modificare la spina in alcun modo. Non utilizzare spine adattatrici con elettroutensili con messa a terra (presa di terra).** Spine non modificate e prese corrispondenti ridurranno il rischio di scosse elettriche.
- **Evitare il contatto del corpo con superfici con messa a terra come tubi, radiatori, piani cottura e refrigeratori.** Rischio aumentato di scosse elettriche se il corpo viene collegato con messa a terra.
- **Non esporre il prodotto a pioggia o umidità.** Nel caso in cui dell'acqua entrerà nell'elettroutensile il rischio di scosse elettriche aumenterà.
- **Non sottoporre a sforzi il cavo dell'alimentazione.**



Non trasportare né tirare o scollegare l'elettrotensile dal cavo. Tenere il cavo lontano da calore, olio, angoli appuntiti o parti in movimento. Cavi danneggiati o intrecciati potranno far aumentare il rischio di scosse elettriche.

- **Quando si mette in funzione un elettrotensile all'esterno, utilizzare una prolunga adatta all'esterno.** Utilizzare un cavo adatto agli esterni per ridurre il rischio di scosse elettriche.
- **Nel caso in cui non si possa fare a meno di mettere in funzione un elettrotensile in un luogo umido, utilizzare un dispositivo di corrente residua (RCD).** Utilizzare un RCD ridurrà il rischio di scosse elettriche.

SICUREZZA PERSONALE

- **Mantenere sempre l'attenzione e utilizzare buon senso quando si utilizza un elettrotensile. Non utilizzare un elettrotensile se stanchi o sotto l'influenza di droghe, alcool o farmaci.** Un momento di disattenzione durante le operazioni potrà risultare in gravi lesioni personali.
- **Utilizzare equipaggiamento di protezione personale. Indossare sempre occhiali di protezione.** Utilizzare sempre equipaggiamento di protezione come maschere per la polvere, calzature antiscivolo, caschi o cuffie di protezione per ridurre rischi di lesioni alla persona.
- **Prevenire l'avvio accidentale. Assicurarsi che l'interruttore sia sulla posizione off (spento) prima di collegare l'utensile all'alimentazione e/o al gruppo batterie, o prima di afferrare e trasportare l'utensile.** Trasportare elettrotensili tenendo un dito sull'interruttore o con l'elettrotensile acceso potrà causare incidenti.
- **Rimuovere eventuali chiavi o dispositivi di regolazione prima di accendere l'elettrotensile.** Una chiave o un dispositivo di blocco collegato a una parte rotante dell'utensile potrà risultare in gravi lesioni personali.
- **Non protendersi. Rimanere bene in equilibrio sulle gambe e non distendere troppo lontano le braccia.** Ciò permetterà un miglior controllo dell'elettrotensile in situazioni inaspettate.
- **Indossare un abbigliamento adatto. Non utilizzare abiti con parti svolazzanti o gioielli. Tenere capelli, vestiti e guanti lontani dalle parti in movimento.** Abiti con parti svolazzanti, gioielli o capelli lunghi potranno rimanere impigliati nelle parti in movimento.
- **Nel caso in cui vengano forniti dispositivi per l'estrazione e la raccolta della polvere, assicurarsi che gli stessi siano collegati e utilizzati correttamente.** Utilizzare il sacchetto di raccolta della polvere può ridurre rischi collegati alla polvere.

UTILIZZO E MANUTENZIONE ELETTROTENSILI

- **Non forzare il prodotto. Utilizzare l'elettrotensile corretto per il proprio lavoro.** L'elettrotensile corretto svolgerà in maniera migliore e più sicura il lavoro per il quale è stato progettato.
- **Non utilizzare l'elettrotensile se l'interruttore non si accende e spegne.** Un elettrotensile che non può

essere controllato dall'interruttore è pericoloso e deve essere riparato.

- **Scollegare la presa dall'alimentazione e/o il gruppo batterie dall'elettrotensile prima di svolgere le eventuali regolazioni, cambiare gli accessori o riporre elettrotensili.** Queste misure di sicurezza preventive ridurranno il rischio di avvio dell'elettrotensile.
- **Riporre elettrotensili lontano dalla portata dei bambini e non permettere a persone che non conoscano il funzionamento dell'elettrotensile o queste istruzioni di metterlo in funzione.** Gli elettrotensili possono essere pericolosi se utilizzati da personale non preparato.
- **Svolgere sempre le operazioni di manutenzione sull'elettrotensile. Controllare l'eventuale allineamento scorretto o blocco delle parti in movimento, la rottura di parti e qualsiasi altra condizione che potrà influenzare il funzionamento dell'elettrotensile. In caso di danni far riparare l'elettrotensile prima di utilizzarlo.** Elettrotensili sui quali non sono state svolte le dovute operazioni di manutenzione possono essere causa di incidenti.
- **Mantenere tutti gli utensili affiliati e appuntiti.** Utensili per operazioni di taglio con parti taglienti sui quali sono state svolte le corrette operazioni di manutenzione non si bloccheranno e saranno più facili da controllare.
- **Utilizzare l'elettrotensile, i suoi accessori, le punte ecc. assieme a queste istruzioni tenendo conto delle condizioni di lavoro e del lavoro da svolgere.** Utilizzare l'elettrotensile per operazioni diverse da quelle indicate potrà causare situazioni pericolose.

MANUTENZIONE

- **Far svolgere la manutenzione da personale qualificato utilizzando solo parti di ricambio identiche.** Ciò permette di mantenere la sicurezza dell'elettrotensile.

ULTERIORI AVVERTENZE DI SICUREZZA

- In alcune regioni norme specifiche limitano l'utilizzo del prodotto ad alcune operazioni. Rivolgersi alle autorità locali per eventuali consigli.
- Tenere il prodotto lontano dalla portata dei bambini e di persone che non ne conoscono l'uso o le istruzioni di funzionamento. Leggi locali possono limitare l'età dell'operatore.
- Assicurarsi prima di ciascun utilizzo che tutti i comandi e i dispositivi di sicurezza funzionino correttamente. Non utilizzare l'utensile se l'interruttore "off" (spento) non arresta il motore.
- Indossare occhiali e cuffie di protezione, guanti resistenti e un casco di protezione mentre si utilizza il prodotto, indossare una maschera di protezione per il volto nel caso in cui durante e operazioni di lavoro si prevede di produrre molta polvere.
- Non indossare abbigliamento con parti svolazzanti, pantaloni corti o gioielli di alcun tipo.
- Assicurare i capelli lunghi al di sopra delle spalle per evitare che rimangano impigliati nelle parti in





movimento.

- L'utilizzo di dispositivi di protezione ridurrà la capacità di ascoltare eventuali segnali d'allarme (grida o avvertimenti). L'operatore dovrà prestare attenzione a ciò che accade nella zona di lavoro.
- Mettere in funzione utensili simili troppo vicino al proprio corpo aumenterà il rischio di lesioni all'udito e i rischi potenziali per le persone che entrano nell'area di lavoro.
- Fare attenzione ad oggetti scagliati; tenere osservatori, bambini e animali almeno 15 metri lontani dall'area di lavoro. Arrestare il prodotto nel caso in cui eventuali osservatori entrino nell'area di lavoro.
- Norme di sicurezza generali non utilizzare questo apparecchio in una zona scarsamente illuminata. L'area di lavoro deve essere pulita per essere in grado di individuare potenziali rischi.
- Mantenere sempre un appoggio saldo e l'equilibrio. Non protendersi. Protendersi eccessivamente potrà causare una perdita di equilibrio e aumentare il rischio di contraccolpo.
- Non mettere in funzione il prodotto se stanchi, malati o sotto l'influenza di alcool, droghe e medicinali.
- Tenere tutte le parti del proprio corpo lontane dalle parti in movimento.
- Controllare l'utensile prima di ogni utilizzo. Controllare il corretto funzionamento di tutti i comandi. Controllare parti allentate, assicurarsi che tutti gli schermi e i manici siano correttamente collegati e assicurati. Sostituire le parti danneggiate prima dell'utilizzo.
- Non modificare l'utensile in alcun modo né utilizzare parti e accessori non raccomandati dalla ditta produttrice.
- Dopo avere acquisito dimestichezza con l'apparecchio (dopo un certo numero di impieghi), non commettere errori dovuti a mancanza di attenzione. Eventuali disattenzioni potranno causare gravi lesioni in una frazione di un secondo.
- tenere manici e superfici da ancoraggio asciutte, pulite, e libere da olio e grasso. Impugnatura o manici scivolosi non permetteranno di controllare e gestire in maniera sicura l'utensile in situazioni inaspettate.

⚠ AVVERTENZA

Se il prodotto cade, subisce impatti pesanti o inizia a vibrare in maniera anomala, arrestarlo e controllare eventuali danni per identificare la causa delle vibrazioni. Riparare eventuali danni o far sostituire i pezzi da un centro servizi autorizzato.

PER L'ASSEMBLAGGIO CON MOTORE ELETTRICO

- La corrente elettrica dovrà essere fornita attraverso un dispositivo di corrente residua (RCD) con una corrente di scatto non superiore a 30 mA.
- Nel caso in cui si abbia bisogno di una prolunga assicurarsi che la stessa sia adatta all'utilizzo in esterni e abbia una capacità di corrente sufficiente per alimentare il prodotto. Controllare che l'utensile non presenti danni prima di ogni utilizzo. Srotolarlo sempre

durante l'utilizzo dal momento che i cavi arrotolati potranno surriscaldarsi.

- Se il cavo di alimentazione è danneggiato, sostituirlo prima dell'uso.

AVVERTENZE DI SICUREZZA SFONDATEORE.

- Non utilizzare mai il potatore in caso di tuoni e fulmini. Riporre il potatore e i cavi di alimentazione in modo sicuro all'interno.
- Assicurarsi che tutti gli schermi e manici siano correttamente montati e siano in ottime condizioni.
- Non iniziare a utilizzare il prodotto se non si ha a disposizione un'area di lavoro sgombra, un saldo equilibrio e se non si è pianificata una via di fuga da eventuali rami o fronde in caduta.
- Fare attenzione alle emissioni di lubrificante e segatura. Indossare la maschera o il respiratore se necessari.
- Reggere il potatore con entrambe le mani mentre è in funzione. Utilizzare una mano per afferrare saldamente il manico anteriore. Utilizzare l'altra mano per afferrare il manico posteriore e utilizzare il prodotto.
- Reggere l'elettrotensile solo dall'impugnatura isolata perchè la motosega potrà entrare in contatto con i cavi nascosti. Una motosega che tocca un cavo "vivo" potrà esporre le parti "vive" in metallo dell'elettrotensile causando scosse elettriche all'operatore.
- Non modificare il prodotto in alcun modo né utilizzarlo per alimentare accessori o dispositivi non raccomandati dalla ditta produttrice dello stesso.
- Il potatore viene fornito con una cinghia. Utilizzare mentre si mette in funzione il potatore. Assisterà l'operatore a controllare la caduta del potatore dopo aver completato il taglio. Aiuterà a sostenere il peso dell'utensile durante l'utilizzo e mentre ci si sposta tra posizioni diverse durante le operazioni di taglio.
- Identificare il meccanismo a rilascio veloce e fare pratica nell'utilizzarlo prima di mettere in funzione la macchina. L'utilizzo corretto può prevenire gravi lesioni in caso d'emergenza. Non indossare mai altri capi di abbigliamento sulla cinghia in caso contrario limitare l'accesso al meccanismo a rilascio veloce.
- Prima di avviare l'utensile, assicurarsi che la motosega non entri in contatto con eventuali oggetti.
- Una catena non correttamente tensionata può fuoriuscire dalla barra di guida e potrebbe risultare in gravi lesioni o incidenti. Controllare l'utensile dopo ogni utilizzo e frequentemente, soprattutto con una nuova catena.
- Per ridurre il rischio di lesioni dovute alle parti in movimento, arrestare l'unità e scollegarla dalla rete di alimentazione (se applicabile), assicurarsi che tutte le parti in movimento si siano arrestate prima di:
 - rimuovere o pulire un eventuale blocco
 - Lasciare il prodotto incustodito
 - Installare o rimuovere gli accessori
 - Svolgere le operazioni di controllo, manutenzione e lavoro sull'utensile
- Può verificarsi un contraccolpo se la punta della barra di guida entra a contatto con un oggetto o se la catena

EN
FR
DE
ES
IT
NL
PL
PT
DA
SV
FI
NO
RU
LU
CS
HU
RO
LV
LT
ET
HR
SL
SK
BG
UK





si incastra e si blocca nel legno durante il taglio. Il contatto con la punta potrà causare una reazione improvvisa, facendo scattare la barra di guida indietro e verso l'operatore. Tirare la catena lungo la parte superiore della barra di guida potrà spingere l'utensile rapidamente verso l'operatore. Queste reazioni potranno causare una perdita di controllo della macchina il che potrà risultare in gravi lesioni alla persona. Non fare affidamento esclusivamente sui dispositivi di sicurezza integrati nel dispositivo. L'operatore del potatore dovrà sempre seguire una serie di norme e regolamentazioni per assicurarsi che il lavoro da svolgere non causi lesioni o incidenti. Il contraccolpo è il risultato di un utilizzo scorretto dell'utensile e/o di procedure o condizioni di funzionamento non adeguate e potrà essere evitato prendendo le adeguate precauzioni, come indicato di seguito:

- Solo avendo piena coscienza dell'effetto di contraccolpo si possono ridurre o eliminare del tutto gli effetti sorpresa. Sorpresa contribuiscono agli incidenti sul lavoro.
- Accertarsi che la zona di lavoro sia libera da ostacoli. Non fare mai in modo che la punta della barra di guida entri in contatto con rami, arti o altri elementi durante la messa in funzione dell'unità.
- Mantenere una presa ferma, con entrambe le mani sull'utensile e posizionare il corpo e le braccia in modo da resistere alle forze di contraccolpo. Le forze del contraccolpo non possono essere controllate dall'operatore, se vengono prese adeguate precauzioni. Non lasciar andare il potatore.
- Non protendersi. Ciò aiuterà a prevenire il contatto con la punta dell'utensile e permetterà di controllare meglio il prodotto in situazioni inaspettate.
- Utilizzare solo barre e catene di ricambio specificate dalla ditta produttrice. Sostituzioni non corrette di barre e catene potranno causare rotture e/o contraccolpi.
- Affilare la catena in modo sicuro è un compito che richiede attenzione e professionalità. A questo proposito la ditta produttrice raccomanda che una catena consumata o rovinata venga sostituita con una nuova catena, disponibile presso il centro servizi autorizzato Ryobi. Il numero della parte è disponibile nella tabella specifiche prodotto nel presente manuale.
- Non utilizzare una scala o un supporto instabile. Effettuare sempre un'operazione di taglio tenendosi in equilibrio sui due piedi su una superficie stabile, onde evitare di cadere.
- Per proteggersi dalle scosse elettriche, non mettere in funzione entro 10 m dai cavi elettrici sospesi.
- Rimuovere i rami in sezioni. Non mettere in funzione in posizioni pericolose. Fare attenzione a rami che possono cadere o rimbalzare dopo aver colpito il suolo.
- Esercitare la massima cautela quando si tagliano rametti e arbusti, poiché il materiale flessibile può incunearsi nella catena e inferire un colpo di frusta all'operatore o provocargli la perdita dell'equilibrio.
- Quando si taglia un ramo sotto tensione, prestare

attenzione che un possibile ritorno elastico potrebbe colpire l'operatore quando la tensione nelle fibre del legno si allenta.

- Se la qualità delle prestazioni di taglio diventa scadente, controllare che i denti della catena siano affilati e puliti. Se necessario, sostituire la catena (e la barra) originali come raccomandato dalla ditta produttrice.
- Se la catena e la barra si bloccano o rimangono intrappolati nei rami in una posizione troppo alta da raggiungere, rivolgersi a un professionista su come rimuovere in maniera sicura gli elementi di taglio.

⚠ AVVERTENZA

Controllare che tutti gli accoppiamenti dell'albero sull'asta telescopica e sull'utensile siano correttamente assicurati prima di ogni utilizzo e a intervalli frequenti.

EQUIPAGGIAMENTO PROTETTIVO PERSONALE

Un equipaggiamento protettivo personale di ottima qualità come utilizzato dai professionisti aiuterà a ridurre il rischio di lesioni all'operatore. Utilizzare i seguenti accessori quando si mette in funzione il prodotto.

Casco di sicurezza

- deve essere conforme allo standard EN 397 ed essere contrassegnato CE

Cuffie di protezione

- deve essere conforme allo standard EN 352-1 ed essere contrassegnato CE

Protezione occhi e viso

- devono essere contrassegnate con il marchio CE e rispettare lo standard EN 166 (per gli occhiali di sicurezza) o lo standard EN 1731 (per visori con rete)

Guanti

- deve essere conforme allo standard EN 381-7 ed essere contrassegnato CE

Calzature

- deve essere conforme allo standard EN 20345 ed essere contrassegnato CE

FUNZIONAMENTO – POTATURA

- Studiare la condizione dell'albero e dei rami prima di iniziare a lavorare. In caso di segni di rami danneggiati, marci o rovinati, non tentare di potare l'albero da soli. Rami danneggiati o marci sono altamente instabili. Rivolgersi a un professionista degli alberi.
- Non posizionarsi mai sotto il ramo da potare.
- Rami potati non sempre cadono al suolo senza problemi. rimarranno facilmente impigliate e sviaate dalle altre foglie. Assicurarsi che l'area di sicurezza abbia una lunghezza di almeno due volte la lunghezza del ramo da tagliare e che sia disponibile e in buone condizioni durante le operazioni di taglio. Se ciò non è possibile, rivolgersi a uno specialista nella cura degli alberi.





- Assicurarsi che il ramo in caduta non costituisca un pericolo per sè stessi, per eventuali osservatori, per la proprietà e per cavi di utenze pubbliche.
- Non mettere in funzione l'utensile con l'asta a un angolo superiore a 60° dalla linea orizzontale.
- Non mettere in funzione il potatore con i dispositivi di taglio a una distanza inferiore a 10m dai cavi dell'elettricità sospesi.
- Non forare il prodotto, lasciare che la catena svolga il lavoro alla velocità per la quale è stata progettata.
- Non tentare di tagliare il ramo troppo vicino al tronco dell'albero. Lasciare circa 15 cm dal tronco fino al taglio.
- Poggiare la lama sul ramo da tagliare e spingerla delicatamente in avanti in modo che il respingente ondulato entri in contatto con il ramo. Ciò aiuterà la stabilità e le operazioni di taglio, garantendo tagli puliti.
- Rami piccoli con un diametro limitato e non troppo pesanti possono essere tagliati con un colpo solo utilizzando la parte inferiore della sega.
- Per rami più pesanti di diametro più ampio ove il ramo potrà rompersi o separarsi durante il taglio, il taglio dovrà essere fatto dalla parte inferiore utilizzando la parte superiore della barra di taglio. Fare questo taglio a circa un terzo lungo l'altezza del ramo. Fare quindi un secondo taglio dalla parte superiore del ramo utilizzando la parte inferiore della barra della motosega per riunirsi al primo taglio.
- Prendere in considerazione la possibilità di potare rami grandi in sezioni piccole piuttosto che potarli interi.
- Non tentare mai di riavviare un taglio precedente con la catena e la barra ancora inserite nel taglio precedente. Iniziare sempre un nuovo taglio. Ciò ridurrà il rischio di contraccolpo e potenziali lesioni.

TRASPORTO E RIPONIMENTO

PER L'ASSEMBLAGGIO CON MOTORE A BENZINA

- Arrestare l'utensile e lasciarlo raffreddare prima di riporlo o trasportarlo.
- Rimuovere eventuali materiali di scarto dal prodotto.
- Quando si ripone l'unità per un lungo periodo di tempo (pari o superiore a un mese), assicurarsi che la catena sia leggermente lubrificata per prevenire la ruggine. La ditta produttrice raccomanda l'utilizzo di un lubrificante per barra e catena Ryobi disponibili presso un centro servizi autorizzato Ryobi.
- Coprire la barra di taglio con l'apposita custodia prima di riporre l'unità o durante il trasporto.
- Drenare il carburante dal serbatoio e versarlo in una tanica idonea per la benzina. Ricordarsi di sostituire e serrare adeguatamente il tappo del carburante.
- Se applicabile, scaricare tutto il lubrificante dal serbatoio in un contenitore destinato a tale uso. Ricordarsi di sostituire correttamente il cappuccio del lubrificante.
- Mettere in funzione il motore fino a quando non si arresta. Rimuove tutto il carburante che può diventare stantio e lasciare gomme e lacche nel sistema del carburante.
- Riporre in un luogo asciutto e ben ventilato non

accessibile ai bambini. tenerlo a distanza da agenti corrosivi, come le sostanze chimiche per il giardinaggio e il fondente chimico.

- Non riporre all'esterno.
- Per il trasporto, assicurare il prodotto contro ogni movimento o contro eventuali cadute per evitare lesioni a persone o danni al prodotto.
- Non portare né trasportare mai il prodotto mentre è in funzione.
- Rispettare tutte le regolamentazioni statali e provinciali in merito al rimessaggio e al trattamento sicuro della benzina.

RIPONIMENTO PER UN BREVE PERIODO DI TEMPO

- Arrestare l'utensile e lasciare raffreddarlo prima di riporlo o prima del trasporto.
- Rimuovere eventuali materiali di scarto dal prodotto.
- Coprire la lama con il coprilame prima di riporre l'unità o durante il trasporto.
- Riporre in un luogo asciutto e ben ventilato non accessibile ai bambini.
- tenerlo a distanza da agenti corrosivi, come le sostanze chimiche per il giardinaggio e il fondente chimico.
- Non riporre all'esterno.

PER L'ASSEMBLAGGIO CON MOTORE ELETTRICO

- Arrestare l'unità, scollegare dalla rete elettrica e avvolgere il cavo. Lasciare raffreddare il motore.
- Rimuovere eventuali materiali di scarto dal prodotto. Riporre in un luogo asciutto e ben ventilato non accessibile ai bambini. tenerlo a distanza da agenti corrosivi, come le sostanze chimiche per il giardinaggio e il fondente chimico. Non riporre all'esterno.
- Quando si ripone l'unità per un lungo periodo di tempo (pari o superiore a un mese), assicurarsi che la catena sia leggermente lubrificata per prevenire la ruggine. La ditta produttrice raccomanda l'utilizzo di un lubrificante per barra e catena Ryobi disponibili presso un centro servizi autorizzato Ryobi.
- Coprire la barra di taglio con l'apposita custodia prima di riporre l'unità o durante il trasporto.
- Per il trasporto, assicurare l'utensile contro il movimento e la caduta per prevenire lesioni a persone o danni alla macchina.

MANUTENZIONE

⚠ AVVERTENZA

Utilizzare solo parti di ricambio, accessori e dispositivi originali della ditta produttrice. In caso contrario si potranno causare lesioni, prestazioni basse e la garanzia verrà invalidata.



⚠ AVVERTENZA

Le operazioni di manutenzione devono essere svolte con grande attenzione e accortezza solo da un tecnico qualificato. Si consiglia di riportare l'utensile al più vicino centro assistenza autorizzato per farlo riparare. Quando l'attrezzo viene riparato, utilizzare solo ricambi identici.

⚠ AVVERTENZA

La catena è affilata. Per prevenire le lesioni alla persona, fare estrema attenzione durante le operazioni di pulizia, montaggio o rimozione della copertura della catena, e indossare sempre guanti protettivi quando si svolgono operazioni di manutenzione alla catena.

⚠ AVVERTENZA

Una manutenzione non corretta della catena aumenterà il rischio di potenziali rimbalzi. La mancata sostituzione o riparazione di una catena danneggiata può causare lesioni gravi.

- Spegner e/o scollegare l'unità dalla rete elettrica e assicurarsi che tutte le parti mobili abbiano smesso completamente di muoversi prima di effettuare qualsiasi operazione di manutenzione o pulizia.
- L'operatore potrà fare le regolazioni e riparazioni descritte nel presente manuale. Per ulteriori riparazioni, contattare il centro servizi autorizzato.
- Seguire le istruzioni per lubrificare, controllare e regolare il tensionamento catena.
- Dopo ogni utilizzo, pulire il corpo dell'utensile e le impugnature del prodotto con un panno asciutto morbido.
- Controllare frequentemente dadi, bulloni e viti, verificando che siano stati assicurati correttamente per fare in modo che il prodotto garantisca condizioni di lavoro ottimali. Riparare eventuali parti danneggiate o farle sostituire da un centro servizi autorizzato.

Programma di manutenzione

Controllo quotidiano	
Lubrificante barra	Prima di ogni utilizzo
Tensione catena	Prima di ogni utilizzo e frequentemente
Affilatura catena	Prima di ogni utilizzo, fare un controllo.
Parti danneggiate	Prima di ogni utilizzo
Coperchi allentati	Prima di ogni utilizzo
Miscela di carburante o combustibile e lubrificante (solo per motorini a benzina)	Prima di ogni utilizzo

Innesto della frizione (solo per motorini a benzina) (nessun movimento a catena a regime minimo)	Prima di ogni utilizzo
Cavo di alimentazione per danni (solo per motorino a benzina)	Prima di ogni utilizzo

RISCHI RESIDUI:

Anche quando il prodotto viene utilizzato come indicato, è impossibile eliminare completamente alcuni fattori di rischio residuo. Si potranno verificare i seguenti rischi durante l'utilizzo e l'operatore dovrà prestare attenzione speciale per evitare quanto segue:

- Lesioni causate da vibrazioni. Utilizzare sempre l'utensile adatto per svolgere il lavoro, utilizzare i manici appositi e limitare le ore di lavoro e l'esposizione.
- L'esposizione al rumore può causare lesioni all'udito. Indossare cuffie di protezione e limitare l'esposizione.
- Contatto con denti esposti della motosega (rischi di taglio).
- Movimenti non previsti e improvvisi o rimbalzi della barra di guida (rischio di taglio).
- Parti che potranno essere scagliate dalla motosega (rischio di taglio/iniezione).
- Parti scagliate dal pezzo sul quale si sta lavorando (schegge e trucioli di legno).
- Inalazione di polvere e particelle di segatura.
- La pelle entra in contatto con il lubrificante/l'olio.

RIDUZIONE DEL RISCHIO

Si è accertato che le vibrazioni causate da utensili a mano possono contribuire a causare una condizione chiamata Sindrome di Raynaud in alcune persone. I sintomi, comprendenti formicolio, intorpidimento e perdita di colore alle dita, si verificano di solito quando ci si espone al freddo. Fattori ereditari, esposizione a freddo e umidità, una dieta scorretta, fumo e condizioni di lavoro non sicure potranno contribuire allo sviluppo di questi sintomi. È possibile prendere delle precauzioni per ridurre le vibrazioni:

- Tenere il corpo al caldo a basse temperature. Quando si utilizza l'utensile, indossare guanti e tenere le mani e i polsi caldi. Le basse temperature contribuiscono a causare la Sindrome di Raynaud.
- Dopo aver utilizzato l'utensile per un certo periodo, fare degli esercizi per stimolare la circolazione del sangue.
- Fare spesso delle pause. Limitare la quantità di esposizione giornaliera.

Nel caso in cui si provino i sintomi di questa condizione, interrompere immediatamente l'utilizzo dell'utensile e consultare un dottore.

⚠ AVVERTENZA

Il prolungato utilizzo dell'utensile potrà causare o aggravare lesioni. Quando si utilizza questo utensile per periodi di tempo prolungati, assicurarsi di fare sempre delle pause regolari.

FAMILIARIZZARE CON IL PRODOTTO

Vedere pagina 175.

1. Catena
2. Barra
3. Dado esagonale
4. Coperchio ruota dentata
5. Copertura lame
6. Tappo
7. Tubo di acciaio corto
8. Gancio accessorio

SIMBOLI SUL PRODOTTO



Avvertenza



Leggere e comprendere tutte le istruzioni prima di mettere in funzione il prodotto, seguire tutte le istruzioni e le avvertenze di sicurezza.



Indossare protezione occhi, orecchie e testa.



Indossare calzature anti-scivolo con questo prodotto.



Indossare guanti anti-scivolo da lavoro.



Non esporre a pioggia o umidità.



Rischi di scosse elettriche, mantenersi ad almeno 10 m dai cavi elettrici sospesi



Fare attenzione ad oggetti scagliati o lanciati dall'utensile. Tenere lontani tutti gli osservatori, soprattutto bambini e animali, ad almeno 15 m dalla zona di funzionamento.



Rimuovere sempre la guaina prima di utilizzare il prodotto.



Lubrificante barra e catena



Direzione movimento della catena



Questo apparecchio è conforme a tutte le norme vigenti nel paese dell'UE in cui è stato acquistato.



Marchio di conformità EurAsian



I prodotti elettrici non devono essere smaltiti con i rifiuti domestici. Vi sono strutture per smaltire tali prodotti. Informarsi presso il proprio Comune o rivenditore di sicurezza per smaltire adeguatamente tali rifiuti.



Marchio di conformità ucraino

I seguenti simboli indicano i livelli di rischio associati a questo prodotto.

⚠ PERICOLO

Indica una situazione pericolosa che, se non evitata attentamente, potrà causare gravi lesioni alla persona o morte.

⚠ AVVERTENZA

Indica una situazione potenzialmente pericolosa che, se non evitata attentamente, potrà causare gravi lesioni alla persona o morte

⚠ ATTENZIONE

Indica una situazione potenzialmente pericolosa che, se non evitata attentamente, potrà causare lesioni minori o moderate alla persona.

ATTENZIONE

Senza simbolo di allerta di sicurezza

Indica una situazione che potrà risultare in gravi danni a cose.

Veiligheid, prestaties en betrouwbaarheid hebben topprioriteit gekregen bij het ontwerp van uw snoeiaccessoire.

VOORGESCHREVEN GEBRUIK

Deze snoeiaccessoire is goedgekeurd voor gebruik met elke Ryobi/Homelite benzine-aangedreven aandrijfkop van 30cc of minder, of met de RPH1200, RLT12381, RBC12261 elektrisch aangedreven aandrijfkop.

Het mag uitsluitend worden gebruikt door volwassenen die de instructies en waarschuwingen in deze handleiding en de betreffende handleiding van de aandrijfkop hebben gelezen en die verantwoordelijk kunnen worden gehouden voor hun acties. Dit product is uitsluitend geschikt voor buitenshuis gebruik. Omwille van veiligheidsredenen moet het product correct worden bediend door steeds twee handen te gebruiken.

Het product is ontworpen voor het zagen en snoeien van kleine takken, waarvan de diameter kleiner of gelijk is aan de zwaardlengte, die zich hoog in de boom bevinden terwijl de gebruiker stevig op de grond blijft staan. Het product is ontworpen voor gebruik tot op een hoogte van 2,6 m. Overschrijd deze werklengte niet.

De machine is niet ontworpen voor gebruik terwijl u klimt of als conventionele kettingzaag voor het snoeien op kleine plaatsen en het snoeien van materiaal op grondniveau.

⚠ WAARSCHUWING

Wanneer u het product gebruikt, moeten de veiligheidsregels worden opgevolgd. Voor uw eigen veiligheid en deze van omstanders, dient u deze instructies te lezen voor u het product gebruikt. Bewaar de instructies voor later gebruik.

⚠ WAARSCHUWING

Het product is niet geschikt voor gebruik met benzine-aangedreven aandrijfkoppen met fietsstuur

ALGEMENE VEILIGHEIDSWAARSCHUWINGEN

VOOR MONTAGE MET DE BENZINEAANGEDREVEN AANDRIJFKOP

- Voor een veilig gebruik, dient u alle instructies te lezen en te begrijpen voor u het product gebruikt. Volg alle veiligheidsinstructies. Het niet opvolgen van alle aanwijzingen kan resulteren in ernstig lichamelijk letsel.
- Start of laat de motor nooit draaien in een gesloten of slecht geventileerde ruimte; het inademen van uitlaatgassen kan dodelijk zijn.
- Raak het gebied rond de demper of cilinder van het product niet aan, deze onderdelen kunnen heet worden tijdens gebruiken.
- Stop altijd eerst de motor alvorens aanpassingen te doen. Laat de machine afkoelen voor u ze inspecteert, afstelt, etc.
- Verboden te roken wanneer u de brandstoftank vult of brandstof mengt.

- Meng en bewaar de brandstof in een container die goedgekeurd is voor brandstof.
- Meng brandstof in de open lucht waar geen vonken of vlammen zijn. Veeg eventueel gemorste brandstof weg. Ga op 9 m (30 voet) afstand van de brandstofplaat staan voor u de motor start.
- Leg de motor stil en laat deze afkoelen voor u de eenheid opnieuw met brandstof vult of opbergt.
- Laat de motor afkoelen; leeg de brandstoftank en olietank (indien van toepassing), en maak het apparaat vast, zodat het tijdens transport in een voertuig niet kan bewegen.

⚠ WAARSCHUWING

Als de gastrigger wordt losgelaten en de motor in neutraal loopt, mag het snijaccessoire of ketting niet bewegen. Indien het blijft bewegen, bestaat er een risico van ernstig letsel voor de gebruiker. Het apparaat niet gebruiken. Retourneer het naar een erkend onderhoudscentrum voor een professionele afstelling.

VOOR MONTAGE MET DE ELEKTRISCH AANGEDREVEN AANDRIJFKOP

⚠ WAARSCHUWING

Lees alle veiligheidswaarschuwingen en instructies. Wanneer niet de waarschuwingen en instructies niet opvolgt, kan dit leiden tot elektrische schok en/of ernstig letsel.

Bewaar deze waarschuwingen en voorschriften zorgvuldig om ze ook later te kunnen inzien.

De term "elektrisch gereedschap" in de waarschuwingen verwijst naar gereedschap dat met de stroomtoevoer is verbonden (met snoer) of accu-aangedreven (snoerloos) gereedschap.

WERKOMGEVING

- **Houd de werkplek schoon en goed verlicht.** Vervuilde of donkere plekken nodigen uit tot ongevallen.
- **Gebruik elektrische werktuigen niet in explosieve omgevingen, zoals in de aanwezigheid van ontvlambare vloeistoffen, gassen of stof.** Elektrisch gereedschap kan vonken veroorzaken die het stof of de gassen kunnen ontsteken.
- **Houd kinderen en omstanders weg terwijl u elektrisch gereedschap gebruikt.** Wanneer u wordt afgeleid, kunt u de controle verliezen.

ELEKTRISCHE VEILIGHEID

- **Stekkers van elektrisch gereedschap moeten overeenkomen met de contactdoos. Wijzig de stekker nooit. Gebruik geen adapters met geaarde elektrische werktuigen.** Niet-gewijzigde stekkers en overeenkomstige contactdozen zullen het risico op elektrische schok verminderen.
- **Vermijd lichaamscontact met een geaard oppervlak, zoals buizen, radiatoren, kookfornuizen en koelkasten.** Er bestaat een verhoogd risico voor



elektrische schokken als uw lichaam is geaard.

- **Stel het product niet bloot aan regen of natte omstandigheden.** Water dat een elektrisch werktuig binnendringt, verhoogt het risico op elektrische schokken.
- **Misbruik het snoer niet. Gebruik het snoer nooit om het elektrisch werktuig te dragen, eraan te trekken of het uit de contactdoos te trekken. Houd het snoer weg van hitte, olie, scherpe randen of bewegende onderdelen.** Beschadigde of verstrikte snoeren verhogen het risico op elektrische schokken.
- **Gebruik een verlengsnoer geschikt voor buitenshuis gebruik wanneer u een elektrisch werktuig buitenshuis gebruikt.** Het gebruik van een snoer dat geschikt is voor buitenshuis gebruik, vermindert het risico op elektrische schokken.
- **Als het gebruik van een elektrisch werktuig op een vochtige plaats onvermijdelijk is, gebruikt u een contactdoos die beschermd is door een aardlekschakelaar.** Het gebruik van een aardlekschakelaar vermindert het risico op elektrische schokken.

PERSOONLIJKE VEILIGHEID

- **Blijf alert, kijk naar wat u doet en gebruik uzelf gezond verstand wanneer u elektrisch gereedschap gebruikt.** Gebruik een elektrisch werktuig niet wanneer u moe of onder de invloed van drugs, alcohol of medicijnen bent. Een ogenblik van onoplettendheid terwijl u elektrisch gereedschap gebruikt, kan leiden tot ernstige verwondingen.
- **Gebruik een persoonlijke beschermuitrusting. Draag altijd gehoorbescherming.** Beschermonderdelen, zoals een stofmasker, antislipschoeisel, helm of gehoorbescherming dat op een geschikte manier wordt gebruikt, zal het risico op verwondingen verlagen.
- **Ongeveest starten voorkomen. Zorg ervoor dat de schakelaar zich in de uit-stand bevindt voor u de machine met een stroombron en/of accupack verbindt, de machine opheft of draagt.** Wanneer u elektrisch gereedschap draagt met de vinger op de schakelaar of wanneer het gereedschap met de stroombron is verbonden, kan dit leiden tot ongevallen.
- **Verwijder alle afstelsleutels voor u het elektrisch werktuig inschakelt.** Een sleutel die op een draaiend onderdeel van het elektrisch gereedschap werd achtergelaten, kan leiden tot verwondingen.
- **Overrek u niet. Ga altijd stevig op uw benen staan en reik niet te ver weg met uw arm.** Dit maakt een betere controle van het werktuig in onverwachte omstandigheden mogelijk.
- **Draag geen wijde kleding, dassen of sieraden die klem kunnen raken en u naar de bewegende delen toe kunnen trekken. Draag geen losse kledij of juwelen. Houd uw haar, kledij en handschoenen weg van de bewegende onderdelen.** Losse kledij, juwelen of lang haar kan in bewegende onderdelen verstrikt raken.
- **Als er apparaten worden geleverd voor de verbinding met een stofextractie en verzamelafsluitingen, zorgt u ervoor dat deze zijn verbonden en goed worden**

gebruikt. Het gebruik van een stofverzamelaar vermindert stof-gerelateerde gevaren.

GEbruik VAN EN ZORG VOOR UW ELEKTRISCH GE-REEDSCHAP

- **Forceer het product niet. Gebruik het correcte werktuig voor uw toepassing.** Het juiste werktuig zal de taak beter en veiliger uitvoeren aan het tempo waarvoor het werd ontworpen.
- **Gebruik het elektrisch werktuig niet als de schakelaar het niet kan in- of uitschakelen.** Een elektrisch werktuig dat niet met behulp van de schakelaar kan worden bediend, is gevaarlijk en moet worden gerepareerd.
- **Trek de stekker uit de contactdoos en/of ontkoppel het accupack van het gereedschap voor u de machine afstelt, accessoires wisselt of het werktuig opbergt.** Zulke preventieve veiligheidsmaatregelen kunnen het risico op ongewenst starten van de machine verminderen.
- **Bewaar ongebruikt elektrisch gereedschap buiten het bereik van kinderen en niet-opgeleide personen die het gereedschap of deze gebruiksaanwijzingen niet kennen.** Elektrisch gereedschap is gevaarlijk in de handen van niet-opgeleide gebruikers.
- **Onderhoud elektrisch gereedschap. Controleer op verkeerde aflijning of verstrikt raken van bewegende delen, defecten van onderdelen en alle andere situaties die de werking van het werktuig kunnen beïnvloeden. Indien beschadigd, laat u het elektrisch gereedschap repareren voor gebruik.** Veel ongevallen worden veroorzaakt door slecht onderhouden elektrische werktuigen.
- **Houd de zaagwerktuigen scherp en schoon.** Correct onderhouden zaagwerktuigen met scherpe randen zijn minder geveest om verstrikt te raken en kunnen makkelijker worden bestuurd.
- **Gebruik het werktuig, de accessoires en werktuigonderdelen, etc. in overeenstemming met deze instructies en houd rekening met de bedrijfsomstandigheden en het uit te voeren werk.** Het gebruik van een elektrisch werktuig voor zaken die niet in het voorgeschreven gebruik zijn beschreven, kan leiden tot gevaarlijke situaties.

ONDERHOUD

- **Laat uw elektrisch gereedschap onderhouden door een gekwalificeerd onderhoudspersoon en gebruik hierbij uitsluitend identieke vervangonderdelen.** Dit zal ervoor zorgen dat de veiligheid van het werktuig wordt behouden.

BIJKOMENDE VEILIGHEIDSWAARSCHUWINGEN

- In enkele streken gelden regels die het gebruik van het product tot enkele handelingen beperken. Raadpleeg uw lokale autoriteit voor advies.
- Laat kinderen of mensen die niet vertrouwd zijn met de gebruiksaanwijzingen, het product nooit gebruiken. De plaatselijke wetgeving kan beperkingen opleggen i.v.m. de leeftijd van de bediener.

EN
FR
DE
ES
IT
NL
PT
DA
SV
FI
NO
RU
PL
CS
HU
RO
LV
LT
ET
HR
SL
SK
BG
UK





- Controleer voor elk gebruik of alle bedieningsknoppen en veiligheidsinrichtingen goed functioneren. Gebruik het product niet als de "uit"-knop de motor niet stillegt.
- Draag een volledige gezichts- en gehoorbescherming, stevige veiligheidshandschoenen en hoofdbescherming terwijl u het product gebruikt; gebruik een gezichtsmasker als het werken veel stof veroorzaakt.
- Draag geen loszittende kledij, korte broek of juwelen.
- Maak lang haar vast boven schouderhoogte om te voorkomen dat het verstrikt raakt in de bewegende delen.
- Het gebruik van gehoorbescherming vermindert de mogelijkheid om waarschuwingen (verbaal of alarmen) te horen. De gebruiker moet extra aandacht hebben voor wat er op de werkplaats gebeurt.
- Het gebruik van gelijksoortige apparaten in de nabijheid verhoogt het risico van letsel en de mogelijkheid dat er andere mensen in uw werkgebied komen.
- Pas op voor weggeslingerde voorwerpen; houd alle omstaanders, kinderen en huisdieren op tenminste 15 m afstand van het werkgebied. Leg het product stil als iemand het werkgebied betreedt.
- Gebruik dit apparaat niet op plekken waar u niet goed kunt zien. De gebruiker heeft een duidelijk overzicht nodig van het werkgebied om mogelijke gevaren te identificeren.
- Bewaar steeds een stevige houvast en goed evenwicht. Overrek u niet. Overreiken kan leiden tot evenwichtsverlies en dit kan het risico op terugslag verhogen.
- Gebruik het product niet wanneer u moe, ziek of onder de invloed bent van alcohol, drugs of medicijnen.
- Houd alle lichaamsdelen weg van de bewegende delen.
- Controleer de machine voor elk gebruik. Controleer of alle bedieningen correct werken. Controleer op losse verbinders. Zorg ervoor dat alle beschermers en handvatten correct en stevig zijn vastgemaakt. Vervang alle beschadigde onderdelen voor gebruik.
- Het apparaat op geen enkele wijze aanpassen of reserveonderdelen gebruiken die niet worden aanbevolen door de fabrikant.
- Zorg dat u, wanneer u eenmaal vertrouwd bent geraakt met uw machine (nadat u deze een aantal keren hebt gebruikt), geen fouten begaat die het gevolg zijn van onoplettendheid. Een onzorgvuldige handeling kan binnen enkele seconden leiden tot ernstige verwondingen
- Houd handvatten en grepen droog, schoon en vrij van olie en vet. Gladde handvatten en grepen laten u niet toe om de machine veilig te bedienen en in onverwachte situaties te controleren?.

WAARSCHUWING

Als u het product laat vallen, het een ernstige impact ondergaat of abnormaal begint te trillen, legt u het product onmiddellijk stil en controleert u het op schade of zoekt u naar de oorzaak van de trillingen. Enige schade moet direct worden gerepareerd of vervangen door een bevoegd onderhoudscentrum.

VOOR MONTAGE MET DE ELEKTRISCH AANGEDREVEN AANDRIJFKOP

- Elektrische stroom moet via een aardlekschakelaar (RCD) worden geleverd met een uitschakelstroom van niet meer dan 30 mA.
- Als u een verlengsnoer moet gebruiken, zorg er dan voor dat dit geschikt is voor buitenshuis gebruik en dat het stroomvermogen voldoende is om uw product van stroom te voorzien. Controleer voor elk gebruik op schade. Laat tijdens gebruik altijd afrollen omdat opgerolde kabels kunnen oververhitten.
- Als het stroomsnoer beschadigd raakt, moet het vóór gebruik vervangen worden.

VEILIGHEIDSWAARSCHUWINGEN VOOR DE SNOEIMACHINE

- Gebruik de snoeimachine niet als er een mogelijkheid bestaat voor onweer of bliksem. Bewaar de snoeimachine en stroomsnoeren veilig binnenshuis.
- Zorg ervoor dat alle beschermers, handvatten correct zijn gemonteerd en zich in goede staat bevinden.
- Start het product niet tot het werkgebied vrij is gemaakt, u stevig op de grond staat en een ontsnappingsroute hebt weg van de vallende takken.
- Pas op voor de emissie van smeermiddel mist en zaagsel. Draag indien nodig een masker of stofmasker.
- Houd de snoeimachine tijdens het gebruik altijd met beide handen vast. Gebruik een hand om het voorste handvast stevig vast te houden. Gebruik de andere hand om het achterste handvat te pakken en het product te gebruiken.
- Houd het gereedschap alleen aan de geïsoleerde handvatten vast omdat de kettingzaag in contact kan komen met verborgen kabels. Zaagkettingen die in contact komen met een spanningvoerende kabel kunnen metalen onderdelen van het gereedschap blootleggen, waardoor ook het gereedschap "onder spanning" komt te staan, waardoor de bediener een elektrische schok kan krijgen
- Wijzig het product nooit of gebruik het niet om voorzetstukken of apparaten aan te drijven die niet door de fabrikant van het product worden aangeraden.
- Uw snoeimachine wordt met een harnas geleverd. U moet dit gebruiken terwijl u de snoeimachine bedient. Het zal helpen om de vallijn van de snoeimachine te bepalen nadat de insnede is voltooid. Het helpt ook om het gewicht van de machine te dragen tijdens het gebruik en bij het bewegen tussen snoeiposities.
- Zoek het snelle ontgrendelmechanisme en oefen dit voor u de machine begint te gebruiken. Een goed gebruik kan ernstig letsel vermijden bij een noodgeval. Draag nooit kleding over het harnas of kleding dat de toegang tot de snelsluiting beperkt.
- Voor u het werktuig start, zorgt u ervoor dat de zaagketting met geen enkel voorwerp in contact komt.
- Een foutief aangespannen ketting kan van het zwaard afspringen, wat kan leiden tot ernstige verwondingen of de dood. Controleer voor elk gebruik en regelmatig, in het bijzonder een nieuwe ketting.





- Om de kans op letsel vanwege bewegende onderdelen te reduceren moet u het product altijd stoppen en ontkoppelen van de stroomtoevoer (indien van toepassing). Zorg ervoor dat alle bewegende onderdelen zijn gestopt voordat:
 - blokkering schoon- of vrijmaken
 - het product onbeheerd achterlaten
 - u voorzetstukken installeert of verwijdert
 - er controles, onderhoud of werkzaamheden worden uitgevoerd op de machine
- Terugslag kan gebeuren wanneer de neus of de punt van het zaagblad een voorwerp raakt of het hout de kettingzaag afknelt in de zaagsnede. Soms kan het contact van de punt leiden tot een plotse omgekeerde reactie, waardoor het zwaard wordt teruggeworpen en in de richting van de gebruiker wordt gegooid. Wanneer u de zaagketting langs de bovenkant van het zwaard klemt, kan het zwaard snel achteruit in de richting van de gebruiker wordt geduwd. Een van deze reacties kan ertoe leiden dat u de controle over de machine verliest, wat kan leiden tot ernstige lichamelijke letsels. Vertrouw niet uitsluitend op de beveiligingsmechanismen die in uw machine zijn gebouwd. Als gebruiker van de snoeimachine, dient u altijd verschillende stappen te nemen om uw snoewerken vrij te houden van ongevallen of letsels. Terugslag is het resultaat van misbruik van het gereedschap en /of foutieve bedieningsprocedures of omstandigheden en kunnen worden vermeden door de volgende voorzorgen te nemen:
 - Met elementaire kennis van terugslag kunt u het verrassingsmoment verkleinen of elimineren. Onverwachte verrassingen dragen bij tot ongelukken.
 - Zorg ervoor dat het gebied waarin u zaagt, vrij is van obstakels. Laat de neus van de geleider niet in contact komen met een tak of een andere obstructie terwijl u de machine bedient.
 - Houd een stevige grip met beide handen op de machine en plaats uw lichaam en arm zo dat u aan terugslagkrachten kunt weerstaan. Terugslagkrachten kunnen door de gebruiker worden gecontroleerd als de nodige voorzorgen worden genomen. Laat de snoeier niet los.
 - Overrek u niet. Dit helpt een ongewild contact van de top van het zwaard en zorgt voor een betere controle van het product in onverwachte situaties.
 - Gebruik uitsluitend vervangzwaarden en -kettingen die door de fabrikant zijn gespecificeerd. Een foutief vervangzwaard of -ketting kan leiden tot kettingbreuk en/of terugslag.
 - Het veilig slijpen van de ketting is een taak die gespecialiseerde kennis vereist. De fabrikant raadt daarom aan om een versleten of botte ketting door een nieuw exemplaar te vervangen, verkrijgbaar bij uw geautoriseerd Ryobi servicecentrum. Het onderdeelnummer is beschikbaar in de productspecificatie in deze gebruiksaanwijzing
- Niet gebruiken op een ladder of onstabiele steun. Zaag altijd met beide benen op een stevige ondergrond om te voorkomen dat u uit evenwicht wordt getrokken.
- Om uzelf tegen elektrocutie te beschermen, bedient

u de machine niet binnen de 10 m van overhangende stroomkabels.

- Verwijder takken in delen. Gebruik niet in gevaarlijke posities. Pas op voor vallende takken of takken die opveren nadat ze de grond raken.
- Wees buitengewoon voorzichtig wanneer u kleine struiken en boompjes zaagt, omdat het buigzame materiaal zich in de zaagketting kan vastgrijpen, waardoor deze naar u toe wordt geslagen of u uit uw evenwicht brengt.
- Wanneer een tak wordt gezaagd die onder spanning staat, wees dan bedacht op het terugveren zodat u niet wordt geraakt wanneer de veerkracht in de houtvezels wordt vrijgelaten.
- Als het zaagvermogen mettertijd vermindert, controleert u of de kettingtanden nog scherp en schoon zijn. Indien nodig, vervangt u de originele ketting (en het zwaard), zoals aangewezen door de fabrikant.
- Als de ketting en het zwaard verstrikt of vast raken in takken die te hoog zijn om te bereiken, vraagt u het advies van een professionele boomspecialist over het veilig verwijderen van het zaagwerktuig.

⚠ WAARSCHUWING

Controleer dat alle schachtkoppelingen op de verlengpaal en het werktuig stevig zijn vastgemaakt voor elk gebruik en nadien ook regelmatig.

PERSOONLIJKE BESCHERMUITRUSTING

Goede kwaliteit, persoonlijke beschermuitrusting, zoals gebruikt door profs help u het risico voor de gebruiker te verminderen. De volgende voorwerpen moeten worden gebruikt wanneer u het product gebruikt:

Veiligheidshelm

- moet overeenstemmen met EN 397 en CE-gemarkeerd zijn.

Gehoorbescherming

- moet overeenstemmen met EN 352-1 en CE-gemarkeerd zijn.

Oog- en gezichtsbescherming

- moet CE-gemarkeerd zijn en overeenstemmen met EN 166 (voor veiligheidsbril) of EN 1731 (voor gezichtsmaskers in gaas)

Handschoenen

- moet overeenstemmen met EN 381-7 en CE-gemarkeerd zijn.

Schoeisel

- moet overeenstemmen met EN 20345 en CE-gemarkeerd zijn.

WERKING - SNOEIEN

- Bestudeer de toestand van de boom en takken voor u het werk begint. Als er tekenen zijn van schade, rot of bederf probeert u zelf niet te snoeien. Beschadigde of





rottende takken zijn bijzonder onstabiel. Raadpleeg de diensten van een professionele boomchirurg

- Sta nooit onder de tak die moet worden gesnoeid.
- Gesnoeide takken vallen niet altijd recht op de grond. Zij raken makkelijk verstrikt en worden weggeworpen door andere bladeren. Zorg ervoor dat een veiligheidszone van tenminste twee keer de lengte van de tak die moet worden afgezaagd, beschikbaar is en wordt onderhouden tijdens het snoeien. Als dit niet mogelijk is, vraagt u hulp van een professionele boomchirurg.
- Zorg ervoor dat de vallende tak geen gevaar vormt voor uzelf, omstaanders of materiële goederen, waaronder nutsleidingen.
- Gebruik het werktuig nooit in een toestand waarbij de paal zich in een hoek van meer dan 60° is opgesteld.
- Gebruik de snoeimachine nooit met een zaagmechanisme dat zich op minder dan 10m van overhangende stroomkabels bevindt.
- Forceer het product niet, maar laat de ketting aan de overeenkomstige snelheid haar werk doen.
- Probeer de takken niet te dicht bij de boomstam te snoeien. Laat ongeveer 15 cm ruimte tussen de stam en de insnede.
- Laat het zwaard op de te snoeien tak rusten en duw de zaag zachtjes voorwaarts zodat de geribde bumper ook met de tak in contact komt. Dit zal de stabiliteit en het zagen bevorderen en voor betere insnedes zorgen.
- Kleine takken die zowel dun zijn als doorsnede en licht, kunnen met een insnede worden doorsaagd met behulp van de onderkant van het zwaard.
- Voor grotere diameters en zwaardere takken waar de tak tijdens het zagen kan breken of splijten, moet eerst van onder de tak worden gezaagd met de top van het zwaard. Maak deze insnede ongeveer een derde doorheen de tak. Dan maakt u een tweede insnede van bovenaf de tank met behulp van de onderzijde van het zwaard om de eerste insnede te bereiken.
- Denk eraan om grote takken in beheersbare delen te snoeien in plaats van als geheel.
- Probeer een vorige insnede nooit opnieuw te starten met de ketting en het zwaard in de vorige insnede. Start altijd een nieuwe insnede. Dit zal het risico op terugslag en mogelijke letsels verminderen.

TRANSPORT EN OPSLAG

VOOR MONTAGE MET DE BENZINEAANGEDREVEN AANDRIJFKOP

- Leg het product stil en laat het afkoelen voor u het opbergt of transporteert.
- Verwijder alle vreemde voorwerpen van het product.
- Wanneer u de machine gedurende langere tijd (een maand of langer) opbergt, moet u ervoor zorgen dat de ketting lichtjes gesmeerd is om roest te voorkomen. De fabrikant raadt het gebruik aan van een Ryobi zwaard en kettingsmeermiddel dat verkrijgbaar is bij uw Ryobi geautoriseerd onderhoudscentrum.
- Bedek het zwaard met de schede voor u het apparaat opbergt of tijdens het transport.

- Tap alle brandstof uit de tank af in een container die goedgekeurd is voor benzine. Vergeet niet om de brandstofop terug te plaatsen en aan te draaien.
- Voer indien van toepassing alle smeermiddel van de tank af in een container die is goedgekeurd voor smeermiddel. Vergeet niet om de smeermiddeldop goed terug te plaatsen.
- Laat de motor draaien tot deze stopt. Dit verwijdert alle brandstof die oud kon worden en vernis en gom in het brandstofsysteem kon achterlaten.
- Bewaar op een koele, droge en goed geventileerde plaats die niet toegankelijk is voor kinderen. Houd corrosieve producten, zoals tuinchemicaliën en stroozout uit de buurt van het apparaat.
- Bewaar niet buitenshuis.
- Voor transport beveilig u het product tegen bewegen of vallen om lichamelijke letsels of schade aan het product te voorkomen.
- Draag of transporteer het product nooit terwijl de motor draait.
- Neem alle landelijke en regionale voorschriften voor de veilige opslag van en omgang met benzine in acht.

KORTSTONDIGE OPSLAG

- Leg de machine stil en laat afkoelen voor opslag of transport
- Verwijder alle vreemde voorwerpen van het product.
- Bedek het maablad met een maabladbeschermer voor u de machine opbergt of tijdens transport.
- Bewaar op een koele, droge en goed geventileerde plaats die niet toegankelijk is voor kinderen.
- Houd corrosieve producten, zoals tuinchemicaliën en stroozout uit de buurt van het apparaat.
- Bewaar niet buitenshuis.

VOOR MONTAGE MET DE ELEKTRISCH AANGEDREVEN AANDRIJFKOP

- Stop het product, ontkoppel het van de netspanning en wikkel de kabel op. Laat de motor afkoelen.
- Verwijder alle vreemde voorwerpen van het product. Bewaar op een koele, droge en goed geventileerde plaats die niet toegankelijk is voor kinderen. Houd corrosieve producten, zoals tuinchemicaliën en stroozout uit de buurt van het apparaat. Bewaar niet buitenshuis.
- Wanneer u de machine gedurende langere tijd (een maand of langer) opbergt, moet u ervoor zorgen dat de ketting lichtjes gesmeerd is om roest te voorkomen. De fabrikant raadt het gebruik aan van een Ryobi zwaard en kettingsmeermiddel dat verkrijgbaar is bij uw Ryobi geautoriseerd onderhoudscentrum.
- Bedek het zwaard met de schede voor u het apparaat opbergt of tijdens het transport.
- Voor transport beveilig u de machine tegen bewegingen of vallen om letsels of schade aan de machine te voorkomen.



ONDERHOUD

⚠ WAARSCHUWING

Gebruik uitsluitend originele vervagonderdelen, accessoires en voorzetstukken van de fabrikant. Als u dit niet doet, kan dit mogelijks letsels of slechte prestaties veroorzaken waardoor uw garantie kan vervallen.

⚠ WAARSCHUWING

Het onderhoud vereist extreme voorzichtigheid en deskundigheid en mag enkel door een gekwalificeerde onderhoudstechnicus worden uitgevoerd. Wij raden u aan het toestel voor herstellingen naar uw dichtstbijzijnde erkende onderhoudsdienst terug te brengen. Gebruik voor het onderhoud alleen identieke vervagingsonderdelen.

⚠ WAARSCHUWING

De zaagketting is zeer scherp. Om lichamelijke letsels te voorkomen, dient u altijd heel voorzichtig te zijn wanneer u de schede reinigt, installeert of verwijdert en draag altijd veiligheidshandschoenen wanneer u onderhoudswerken aan de ketting uitvoert.

⚠ WAARSCHUWING

Foutief kettingonderhoud verhoogt de kans op terugslag. Nalatigheid bij het vervangen of repareren van een beschadigde ketting kan resulteren in ernstig letsel.

- Schakel het product uit en/of ontkoppel het van de stroomtoevoer en zorg ervoor dat alle bewegende delen volledig zijn gestopt voordat u onderhouds- of reinigingswerkzaamheden uitvoert.
- U kunt de afstellingen en reparaties die in deze gebruiksaanwijzing worden vermeld, uitvoeren. Voor andere herstellingen, neemt u contact op met uw geautoriseerd onderhoudsagent.
- Volg de instructies voor het smeren en de afstelling en controle van de kettingspanning.
- Reinig na elk gebruik het lichaam en de handvaten van het product met een zachte doek.
- Controleer regelmatig of alle moeren, bouten en vijzen goed zijn vastgemaakt om zeker te zijn dat het product veilig kan worden gebruikt. Een beschadigd onderdeel moet door een geautoriseerd onderhoudscentrum goed worden gerepareerd of vervangen.

Onderhoudsschema

Dagelijkse controle	
Staafsmeermiddel	Voor elk gebruik
Kettingspanning	Voor elk gebruik en regelmatig

Kettingscherpte	Voor elk gebruik, visuele controle
Op beschadigde onderdelen	Voor elk gebruik
Op losse binders	Voor elk gebruik
Brandstofmengsel of brandstof en smeermiddel (alleen voor benzinegedreven aandrijfkop)	Voor elk gebruik
Aangrijping van de koppeling (alleen voor benzinegedreven aandrijfkop) (geen kettingbeweging bij stationaire snelheid)	Voor elk gebruik
Stroomsnoer op schade (alleen voor elektrisch gedreven aandrijfkop)	Voor elk gebruik

RESTRISICO'S

Zelfs wanneer het product zoals voorgeschreven wordt gebruikt, is het nog steeds onmogelijk om bepaalde restrisico's volledig te elimineren. De volgende gevaren kunnen zich voordoen tijdens het gebruik en de gebruiker dient in het bijzonder aandacht te hebben om de volgende situaties te vermijden:

- Letsels veroorzaakt door trillingen. Gebruik altijd het juiste gereedschap voor de taak, gebruik de toegewezen handvaten en beperk de gebruikstijd en blootstelling.
- Blootstelling aan geluid kan gehoorletsels veroorzaken. Draag gehoorbescherming en beperk de blootstelling.
- Contact met blootgestelde zaagtanden van de zaagketting (snijgevaar).
- Onvoorziene, plotsse bewegingen of terugslag van het zwaard (snijgevaar).
- Stukken die uit de kettingzaag worden weggegooid (snij/injectiegevaar).
- Uitgeworpen stukken van het werkstuk (houtzaagsel, splinters).
- Inhaleren van zaagsel en partikels.
- Huidcontact met smeermiddel/olie.

RISICOBEPERKING

Er zijn meldingen dat trillingen van handwerktuigen bij sommige mensen bijdragen tot het Syndroom van Raynaud. Symptomen kunnen ondermeer tintelingen, gevoelloosheid en bleek worden van de vingers omvatten, wat normaal gezien duidelijk wordt bij blootstelling aan koude. Erfelijke factoren, blootstelling aan koude en vocht, dieet, roken en werkroutine kunnen allemaal bijdragen tot de ontwikkeling van deze symptomen. Er kunnen door de bediener maatregelen worden genomen om de gevolgen van de trillingen te beperken:

- Houd bij koud weer uw lichaam warm. Draag

handschoenen wanneer u de machine gebruikt om handen en polsen warm te houden. Men neemt aan dat koud weer een belangrijke factor is die bijdraagt tot het Syndroom van Raynaud.

- Doe oefeningen om de bloeddoorstroming te bevorderen na elke periode van gebruik.
- Neem regelmatig een pauze. Beperk het aantal uren dat u per dag wordt blootgesteld.

Wanneer u enige van de symptomen van deze aandoening ervaart, stop dan onmiddellijk met het gebruik van het toestel en raadpleeg uw dokter

⚠ WAARSCHUWING

Letsels kunnen worden veroorzaakt of ernstiger worden door verlengd gebruik van een werktuig. Als u een werktuig gedurende langere periodes gebruikt, neem dan regelmatig pauze.

KEN UW PRODUCT

Zie pagina 175.

1. Ketting
2. Zwaard
3. Zeskantmoer
4. Kettingwieldeksel
5. Zaagschede
6. Oliedop/peilstok
7. Korte stalen buis
8. Accessoirehanger

SYMBOLEN OP HET PRODUCT



Waarschuwing



Lees en begrijp alle instructies voor u het product bedient, volg alle waarschuwingen en veiligheidsinstructies.



Draag gezichts-, gehoor- en hoofdbescherming.



Draag anti-slipschoeisel wanneer u het product gebruikt.



Draag zware, antislip handschoenen.



Stel niet bloot aan regen of vocht.



Gevaar voor elektrocutie, gebruik op tenminste 10 m afstand van bovengrondse elektrische leidingen.



Houd rekening met weggeslingerde of rondvliegende voorwerpen. Houd alle omstanders, in het bijzonder kinderen en huisdieren, op tenminste 15m afstand van het werkgebied.



Verwijder vóór gebruik van het product altijd eerst de schede.



Zwaard- en kettingsmeermiddel



Beweegrichting van de ketting



Dit apparaat voldoet aan alle geldende normen van Lid-Staat van de Europese Unie waar het werd gekocht.



EurAsian-symbol van overeenstemming



Elektrisch afval mag niet samen met ander huishoudafval worden weggegooid. Gelieve te recycleren indien de mogelijkheid bestaat. Neem contact op met uw lokaal bestuur of handelaar om advies te krijgen over recyclage.



Oekraïens conformiteitssymbool

De volgende kernwoorden en verklaringen zijn bedoeld om de gevaarniveaus die op dit toestel betrekking hebben, te verklaren.

⚠ GEVAAR

Wijst op een gevaarlijke situatie die, als ze niet wordt voorkomen, dodelijk kan zijn of ernstige verwondingen kan veroorzaken.

⚠ WAARSCHUWING

Wijst op een mogelijks gevaarlijke situatie die, als ze niet wordt voorkomen, dodelijk kan zijn of ernstige verwondingen kan veroorzaken.

⚠ LET OP

Wijst op een mogelijks gevaarlijke situatie die, als ze niet wordt voorkomen, kleine of middelmatige verwondingen kan veroorzaken.

LET OP

Zonder veiligheidswaarschuwingssymbool

Wijst op een situatie die kan leiden tot materiële schade.



Demos a maior prioridade à segurança, desempenho e fiabilidade no design do seu acessório de podadora.

USO PREVISTO

Este acessório de podadora está aprovado para utilização com todas as cabeças motrizes Ryobi/Homelite a gasolina até 30 cc, ou com a cabeça motriz eléctrica RPH1200, RLT1238I, ao RBC1226I.

Destina-se a ser utilizado por adultos que tenham lido e compreendido as instruções e os avisos neste Manual e no Manual da cabeça motriz aplicável, e que possam ser considerados responsáveis pelas suas acções. Este produto destina-se exclusivamente a ser utilizado ao ar livre. Por motivos de segurança, o produto tem obrigatoriamente de ser controlado adequadamente, utilizando ambas as mãos durante a operação.

O aparelho foi desenhado para cortar e podar pequenos ramos com um diâmetro inferior ou igual ao comprimento da espada, situados nas zonas altas da árvore, enquanto o operador tem os pés firmemente apoiados no solo. O aparelho foi desenhado para estender até um máximo de 2.6 m. Não ultrapasse este comprimento de trabalho.

Não está concebido para a sua utilização em alturas nem como uma motosserra convencional para cortar e podar material a corta distância a nível do solo.

⚠ ADVERTÊNCIA

Ao utilizar o produto, devem seguir-se as normas de segurança. Para a sua própria segurança e a dos que o rodeiam, leia estas instruções antes de utilizar o produto. Guarde as instruções para usá-las no futuro.

⚠ ADVERTÊNCIA

O aparelho não está apto para uso com cabeças de alimentação a gasolina facilitados por guiadores de motocicletas.

AVISOS GERAIS DE SEGURANÇA

PARA MONTAGEM EM CABEÇA MOTRIZ A GASOLINA

- Para uma operação segura, leia e compreenda todas as instruções antes de usar o produto. Siga todas as instruções de segurança. O não cumprimento de todas as instruções poderá resultar em ferimentos pessoais graves.
- Nunca ligue ou coloque o motor a trabalhar numa área fechada ou pouco ventilada; a inalação dos gases de escape pode matar.
- Não toque na área junto à panela de escape nem na área junto ao cilindro do motor do produto: estas peças ficam quentes ao toque durante e a seguir à operação do produto.
- Antes de fazer quaisquer ajustes, desligue sempre o motor. Deixe que a máquina arrefeça antes de realizar inspeções, ajustes, etc.
- Não fume quando misturar combustível ou encher o depósito de combustível.

- Misture e guarde o combustível num recipiente aprovado para combustível.
- Misture o combustível ao ar livre, afastado de faíscas ou chamas. Limpe eventuais derrames de combustível. Afaste-se 9 m (30 pés) do local de abastecimento antes de ligar o motor.
- Apague o motor e deixe-o arrefecer antes de voltar a colocar combustível ou guardar a unidade.
- Antes de transportar o produto num veículo, deixe o motor arrefecer e, em seguida, esvazie o depósito de combustível e o depósito de óleo (se aplicável) e prenda o produto com firmeza e em segurança.

⚠ ADVERTÊNCIA

Quando se solta o gatilho do acelerador e o motor funciona ao ralenti, a cabeça ou corrente não deve mover-se. Se continuar a mover-se, existe risco de lesões graves no operador. Não use a máquina. Entregue-o a um centro de serviço autorizado para ser ajustado por um profissional.

PARA MONTAGEM EM CABEÇA MOTRIZ ELÉCTRICA

⚠ ADVERTÊNCIA

Leia todos os avisos de segurança e todas as instruções. O facto de não seguir os avisos e as instruções pode conduzir a choque eléctrico, fogo e/ou lesão grave.

ConsERVE estas advertências e instruções para que possa consultá-las mais tarde.

O termo "ferramenta eléctrica" nos avisos refere-se à ferramenta operada através de ligação à rede eléctrica (com fios) ou à ferramenta operada através de bateria (sem fios).

AMBIENTE DE TRABALHO

- **Mantenha a área de trabalho limpa e bem iluminada.** As áreas desordenadas ou escuras são um convite para acidentes.
- **Não opere ferramentas eléctricas em atmosferas explosivas, tais como na presença de líquidos inflamáveis, gases ou poeira.** As ferramentas eléctricas criam faíscas que podem causar a inflamação de poeiras ou vapores.
- **Ao operar esta ferramenta eléctrica, mantenha as crianças e as pessoas presentes afastadas.** Distracções podem fazer com que perca o controlo.

SEGURANÇA ELÉCTRICA

- **As fichas eléctricas da ferramenta têm de corresponder à tomada. Nunca altere a ficha seja de que maneira for. Não use quaisquer fichas adaptadoras com ferramentas de ligação com terra.** As fichas não modificadas e tomadas compatíveis reduzirão o risco de choque eléctrico.
- **Evite o contacto do corpo com superfícies com ligação terra ou enterradas, tais como tubos, radiadores, fogões e frigoríficos.** Há um aumento do



risco de choque eléctrico se o seu corpo estiver ligado à terra.

- **Não exponha este produto à chuva ou humidade elevada.** A entrada de água na ferramenta eléctrica aumentará o risco de choque eléctrico.
- **Não abuse do cabo de alimentação. Nunca use o cabo para carregar, puxar ou retirar a ficha da ferramenta da tomada.** Mantenha o cabo afastado do calor, óleo, pontas afiadas ou peças móveis. Os cabos danificados ou emaranhados aumentam o risco de choque eléctrico.
- **Ao operar uma ferramenta eléctrica ao ar livre, use um cabo de extensão apropriado para o uso ao ar livre.** A utilização de um cabo apropriado para o uso ao ar livre reduz o risco de choque eléctrico.
- **Se operar uma ferramenta eléctrica num local húmido é inevitável, use uma fonte com protecção de dispositivo de corrente residual (RCD).** O uso de um RCD reduz o risco de choque eléctrico.

SEGURANÇA PESSOAL

- **Ao operar esta ferramenta eléctrica, permaneça alerta, tenha em atenção ao que está a fazer e use o bom senso. Não utilize a ferramenta eléctrica quando se sentir cansado ou se se encontrar sob a influência de drogas, álcool ou medicamentos.** Um momento de desatenção enquanto opera estas ferramentas eléctricas pode resultar em ferimentos graves.
- **Utilizar equipamento de protecção. Use sempre protecção para os olhos.** O equipamento de protecção tal como a máscara contra pó, calçado antiderrapante de segurança, capacete, ou protecção para os ouvidos, usado para condições apropriadas irá reduzir a probabilidade de ferimentos.
- **Evite o arranque involuntário. Assegure-se de que o interruptor se encontra na posição de desligado antes de o ligar à fonte de energia e/ou bateria, levantando ou transportando a ferramenta.** Transportar ferramentas eléctricas com o seu dedo no interruptor ou ligar à corrente ferramentas eléctricas que têm o interruptor ligado são um convite a acidentes.
- **Remova qualquer chave de ajuste antes de ligar a ferramenta eléctrica.** Uma chave-inglesa ou uma chave colocada numa peça móvel da ferramenta eléctrica pode causar lesões pessoais.
- **Não se aproxime em demasia. Fique sempre bem apoiado nas pernas e não estique demasiado o braço.** Isto possibilita um melhor controlo da ferramenta eléctrica em situações inesperadas.
- **Use roupas adequadas. Não use roupa larga ou acessórios de jóias. Mantenha o seu cabelo, roupa e luvas longe das peças móveis.** A roupa larga, jóias ou cabelo comprido podem ficar presos nas peças móveis.
- **Se são fornecidos os dispositivos para a ligação de espaços de extracção e recolha de pó, assegure-se de que estes se encontram conectados e usados correctamente.** A utilização de um colectador de pó pode reduzir os perigos relacionados com o pó.

UTILIZAÇÃO E MANUTENÇÃO DA FERRAMENTA ELÉCTRICA

- **Não force o produto. Use a ferramenta eléctrica correcta para a sua aplicação.** A ferramenta fará o seu trabalho melhor e de forma mais segura trabalhando ao ritmo para que foi concebida.
- **Não use uma ferramenta caso o interruptor não ligue e desligue a ferramenta eléctrica correctamente.** Qualquer ferramenta eléctrica que não possa ser controlada com o interruptor é perigosa e deve ser reparada.
- **Desligue a ficha da alimentação eléctrica e/ou a bateria da ferramenta antes de proceder a quaisquer ajustes, mudança de acessórios ou de armazenar ferramentas eléctricas.** Estas medidas de segurança preventivas reduzem o risco de arranque accidental da ferramenta eléctrica.
- **Armazene as ferramentas eléctricas fora do alcance das crianças e não permita que pessoas não familiarizadas com a ferramenta eléctrica ou com estas instruções utilizem a ferramenta eléctrica.** As ferramentas eléctricas são perigosas nas mãos de utilizadores inexperientes.
- **Realize a manutenção das ferramentas eléctricas. Verifique se existe desalinhamento ou emperramento das peças móveis, ruptura das peças e qualquer outra condição que possa ter afectado o funcionamento da ferramenta eléctrica. Se danificado, mande a ferramenta eléctrica ser reparada antes de a utilizar.** Muitos acidentes são causados por ferramentas eléctricas com fracas manutenções.
- **Mantenha as ferramentas de corte afiadas e limpas.** É menos provável que as ferramentas de corte com uma correcta manutenção e com pontas de corte afiadas fiquem presas e são mais fáceis de controlar.
- **Utilize a ferramenta, acessórios, peças eléctricas, etc., de acordo com estas instruções, tendo em conta as condições de trabalho e o trabalho que se vai realizar.** O uso da ferramenta eléctrica para as operações diferentes daquelas a que se destina podem causar uma situação perigosa.

MANUTENÇÃO

- **A manutenção da sua ferramenta eléctrica deve ser efectuada por uma pessoa qualificada para reparações, utilizando apenas peças de substituição idênticas.** Isto assegurará que a segurança da ferramenta eléctrica é mantida.

AVISOS DE SEGURANÇA ADICIONAIS

- Algumas regiões têm normas que restringem o uso do produto para algumas operações. Consulte a sua autoridade local para obter informação.
- Nunca permita que crianças ou pessoas que não estejam familiarizadas com estas instruções utilizem o produto. A legislação local pode restringir a idade do operador.
- Certifique-se antes de cada uso que todos os controlos e dispositivos de segurança funcionam corretamente.



Não utilize o aparelho se o interruptor “off” não parar o motor.

- Utilize proteção completa ocular e auricular, luvas grossas resistentes, bem como proteção para a cabeça durante o funcionamento do aparelho; utilize uma máscara de rosto caso a operação envolva poeira.
- Não use roupa folgada, calças curtas ou joias de qualquer tipo.
- Prenda o cabelo comprido para que fique acima do nível dos ombros para evitar que fique emaranhado em peças móveis.
- O uso da protecção auditiva reduz a sua capacidade de ouvir avisos (gritos ou alarmes). O operador deve prestar atenção extra àquilo que está a acontecer na área de trabalho.
- Operar ferramentas similares nas proximidades aumenta tanto o risco de lesão auditiva e o potencial para outras pessoas entrarem na sua área de trabalho.
- Tenha cuidado com os objetos que são atirados; mantenha todos os transeuntes, crianças e animais afastados pelo menos 15 m da zona de trabalho. Desligue o aparelho se alguém entrar na área.
- Não utilize esta ferramenta numa zona com pouca luz. O operador necessita de uma visão clara da área de trabalho para identificar potenciais perigos.
- Mantenha-se bem apoiado e equilibrado. Não se aproxime em demasia. O esticar-se pode resultar em perda de equilíbrio e pode aumentar o risco de ressalto.
- Não opere este produto se estiver cansado ou sob a influência de drogas, álcool ou medicamentos.
- Mantenha qualquer peça em movimento longe do seu próprio corpo.
- Inspeccione a máquina antes de cada uso. Verifique que todos os controlos funcionam corretamente. Verifique que não há peças de fixação soltas, assegure-se de que todas as proteções e cabos estão bem fixos. Substitua qualquer peça danificada antes da utilização.
- Não modifique a máquina em qualquer forma nem use peças e acessórios que não sejam recomendados pelo fabricante.
- Depois de se ter familiarizado com a sua ferramenta (após um certo número de utilizações), não cometa erros devido a uma falta de vigilância. Uma ação imprudente pode provocar lesões graves numa fração de segundo.
- Mantenha os cabos e as superfícies de agarre secos, limpos e livres de óleo ou gordura. Os cabos e superfícies de fixação resvaladiças não permitem uma fixação e um controlo seguro da ferramenta em situações inesperadas.

ADVERTÊNCIA

Se o aparelho cair, sofrer um impacto forte ou começar a vibrar de maneira anormal, pare-o imediatamente e verifique se está danificado ou identifique o motivo da vibração. Qualquer dano deve ser devidamente reparado ou substituído por um centro de assistência autorizado.

PARA MONTAGEM EM CABEÇA MOTRIZ ELÉCTRICA

- O fornecimento eléctrico deveria efectuar-se através de um dispositivo de corrente residual (RDC) com uma corrente activa não superior a 30 mA.
- Caso precise utilizar uma extensão, assegure-se que esta é adequada para uso no exterior e que tem uma capacidade de corrente suficiente para alimentar o aparelho. Antes de cada uso verifique que não há danos. Mantenha sempre os cabos desenrolados enquanto os utiliza porque os cabos enrolados podem sobreaquecer.
- Se o cabo de corrente ficar danificado, tem obrigatoriamente de ser substituído antes de o produto poder ser utilizado novamente.

AVISOS DE SEGURANÇA DA PODADORA

- Nunca utilize a podadora quando exista a possibilidade de haver tempestade ou relâmpago. Guarde a podadora e os cabos de alimentação de forma segura no interior.
- Assegure-se de que todas as proteções e cabos estão bem ajustados e em boas condições.
- Não comece a usar o produto até que tenha uma área de trabalho clara, base segura e um caminho de retirada planeada afastado da queda de ramos.
- Cuidado com a emissão da névoa de lubrificante e serrim. Coloque uma máscara ou um respirador quando for necessário.
- Segure a podadora sempre com as duas mãos quando a utilizar. Utilize uma mão para segurar com firmeza a empunhadura frontal. Com a outra mão, agarre a pega traseira e opere o produto.
- Segure na ferramenta elétrica apenas através das superfícies isoladas, dado que a motosserra pode contar cabos ocultos. O contacto da motosserra com um cabo com tensão elétrica pode expor as peças metálicas da ferramenta à corrente elétrica, o que pode provocar um choque ao operador.
- Não modifique o seu produto de nenhum modo nem o utilize para alimentar acessórios ou dispositivos não recomendados pelo fabricante para o seu produto.
- A podadora vem com um arnês incluído. Deve utilizar enquanto manipula a podadora. Ajudará a controlar a queda da podadora ao completar o corte. Também ajudará a suportar o peso da máquina enquanto a usa e enquanto muda de uma posição para outra.
- Identifique o mecanismo de libertação rápida e pratique utilizando-o antes de começar a usar a máquina. A sua utilização correta pode prevenir lesões graves em caso de uma emergência. Nunca use roupas adicionais sobre o arnês nem restrinja, de outro modo, o acesso ao mecanismo de libertação rápida.
- Antes de iniciar a ferramenta, certifique-se que a corrente não está em contacto com qualquer objeto.
- Uma corrente incorretamente sujeita a tensão pode saltar fora da barra de guia e pode resultar em ferimentos graves ou morte. Verifique-o antes de cada uso e com frequência, especialmente quando colocar correias novas.





- Para reduzir o risco de ferimentos causados por peças em movimento, pare sempre o produto e desligue-o da fonte de alimentação (se aplicável), e certifique-se de que todas as peças móveis estão paradas, antes de fazer o seguinte:
 - limpeza e desobstrução de bloqueio
 - deixar o produto sem vigilância
 - instalar ou remover acessórios
 - proceder à verificação, manutenção ou trabalho na máquina
- Pode ocorrer um coice quando a ponta da barra-guia toca num objecto ou se a corrente da serra ficar entalada e bloquear-se na madeira durante o corte. O contacto com a ponta, em alguns casos, pode causar uma reacção reversa rapidíssima, fazendo com que a barra guia salte para o operador. Apertar a corrente da serra ao longo do topo da barra guia pode fazer com que esta recue rapidamente na direcção do operador. Qualquer destas reacções pode causar que se perca o controlo da máquina, o que poderia resultar em sérios danos para o utilizador. Não confie apenas nos dispositivos de segurança embutidos na sua máquina. Como utilizador do podador, deveria realizar vários passos para que os seus cortes se realizem de forma segura e não ocorram danos ou acidentes. O ricochete é o resultado de uma má utilização da ferramenta e/ou condições ou procedimentos de operação incorretos e pode ser evitado tomando as precauções apropriadas conforme indicado abaixo:
 - Uma compreensão básica da reacção de coice, permitir-lhe-á reduzir ou eliminar o elemento de surpresa. O elemento de surpresa súbita contribui para a ocorrência de acidentes.
 - Certifique-se de que a área em que está a cortar está livre de obstáculos. Não deixe que a ponta da barra de guia entre em contacto com um ramo, extremidade ou qualquer outra obstrução enquanto utiliza o aparelho.
 - Segure o aparelho com firmeza, com as duas mãos e com o corpo numa posição que permita resistir à força dos ricochetes. As forças do ricochete podem ser controladas pelo operador, se as precauções apropriadas forem tomadas. Não largue o podador.
 - Não se aproxime em demasia. Isto ajuda a impedir o contacto da ponta não intencional e permite um melhor controlo do produto em situações inesperadas.
 - Utilize apenas correntes e barras sobressalentes do fabricante. As barras e as correntes de substituição incorretas podem causar uma rutura da corrente e/ou ricochete.
 - Afiar a corrente de forma segura é uma tarefa especializada. Portanto, o fabricante recomenda encarecidamente que uma corrente opaca ou desgastada se substitua por outra nova, que se encontra disponível no centro de assistência autorizado da Ryobi. O nome da peça encontra-se disponível na tabela de especificações de produto deste manual.
- Não usar sobre uma escada ou suporte instável. Corte sempre com ambos os pés assentes numa superfície estável, de modo a não perder o equilíbrio.
- Para evitar electrocutar-se, não utilize o aparelho a menos de 10 m das linhas de alta voltagem por cima da cabeça.
- Retire os ramos por partes. Não utilize a ferramenta em posições perigosas. Tenha cuidado com os ramos que caíem ou com os que ressaltam depois de bater no chão.
- Utilize extrema cautela ao cortar arbustos de pequena dimensão e árvores novas, já que há o risco de material fino ficar preso na corrente e ser projectado em direcção a si ou puxá-lo, fazendo com que perca o equilíbrio.
- Quando cortar uma pernada que esteja tensada, esteja alerta em relação ao efeito de ricochete, de modo a não ser atingido quando a tensão das fibras de madeira for libertada.
- Se o rendimento de corte diminuir ao longo do tempo, verifique se os dentes da corrente estão afiados e limpos. Caso seja necessário, mude a corrente original (e a barra) tal como recomenda o fabricante.
- Se a corrente e a espada encravarem ou ficarem agarradas entre ramos demasiado elevados, procure o conselho de um profissional especialista no serviço de tala para averiguar como pode retirar a serra de forma segura.

▲ ADVERTÊNCIA

Antes de cada uso e em intervalos frequentes, verifique que todos os acoplamentos do eixo da vara telescópica e da ferramenta estão bem apertados.

EQUIPAMENTO DE PROTEÇÃO PESSOAL

Os equipamentos de protecção individual de boa qualidade, conforme os utilizados por profissionais, ajudarão a reduzir o risco de ferimentos ao operador. Os itens seguintes devem ser utilizados ao operar o seu produto:

Capacete de segurança

- deverá cumprir a norma EN 397 e possuir a marcação CE

Protecção auricular

- deverá cumprir a norma EN 352-1 e possuir a marcação CE

Protecção para os olhos e rosto

- devem possuir a marcação CE e cumprir com EN 166 (para óculos de segurança) ou EN 1731 (para viseiras de malha)

Guantes

- deverá cumprir a norma EN 381-7 e possuir a marcação CE

Calçado

- deverá cumprir a norma EN 20345 e possuir a marcação CE





FUNCIONAMENTO - PODA

- Estude as condições da árvore e dos ramos antes de começar a trabalhar. Se existirem sinais de dano, putrefação ou degradação, não tente podar sozinho. Os ramos danificados ou podres são sumamente instáveis. Procure os serviços de um arboricultor profissional.
- Não se coloque debaixo de um ramo que vá podar.
- Os ramos podados nem sempre caem no chão com precisão. Podem encravar ou desviar devido a outra folhagem. Enquanto poda, assegure-se que respeita e mantém uma área de segurança que meça pelo menos o dobro do comprimento do ramo que vai cortar. Se tal não for possível, procure os serviços de um arboricultor.
- Assegure-se de que o ramo que vai cair não representa um perigo nem para si nem para os transeuntes ou os bens, incluídos os cabos.
- Nunca utilize a ferramenta com a vara formando um ângulo de mais de 60° na horizontal.
- Nunca utilize a podadora com as partes cortantes a menos de 10m das linhas de alta voltagem por cima da cabeça.
- Não force o produto, deixe que a corrente faça o trabalho com a sua própria velocidade.
- Não tente cortar o ramo demasiado próximo do tronco. Deixe 15 cm de distância entre o tronco e o corte.
- Apoie a espada da serra no ramo que vai cortar e empurre-a com suavidade para a frente de forma que o topo estriado também entre em contacto com o ramo. Isto pode melhorar a estabilidade, o corte e a limpeza dos cortes.
- Os pequenos ramos leves e de pequeno diâmetro podem ser cortados de uma só vez utilizando a parte inferior da espada da serra.
- Os ramos com um maior diâmetro e mais peso que possa partir-se ou quebrar-se durante o corte deverão cortar-se primeiro a partir de baixo utilizando a parte superior da espada da serra. Faça este corte a pelo menos 1/3 do comprimento através do ramo. A seguir, faça um segundo corte a partir de cima do ramo utilizando a parte inferior da espada da serra para unir ao primeiro corte.
- Pode os ramos grandes em secções manuseáveis em vez de cortar de uma só vez.
- Nunca tente reiniciar um corte realizado previamente colocando a corrente e a espada no dito corte. Comece sempre com um novo corte. Isto reduzirá o risco de ricochete e possíveis lesões.

TRANSPORTE E ARMAZENAMENTO

PARA MONTAGEM EM CABEÇA MOTRIZ A GASOLINA

- Pare o produto e deixe arrefecer antes de guardá-la ou transportá-la.
- Limpe todos os materiais estranhos do produto.
- Quando guardar a unidade durante um longo período de tempo (1 mês ou mais), assegure-se de que a corrente está ligeiramente lubrificada para evitar que oxide. O fabricante recomenda usar o lubrificante Ryobi

para a espada e a corrente, disponível em qualquer centro de serviço autorizado de Ryobi.

- Cubra a espada da serra com a bainha antes de guardar o aparelho enquanto lo transporta.
- Drene totalmente o combustível do depósito para um recipiente aprovado para acondicionar gasolina. Não se esqueça de voltar a montar correctamente o tampão de combustível e de lhe dar aperto.
- Se for aplicável, esvazie todo o óleo lubrificante do depósito, para dentro de um recipiente aprovado para lubrificante. Não se esqueça de voltar a montar correctamente o tampão do lubrificante.
- Deixe o motor a trabalhar até que o mesmo páre. Isto irá esvaziar todo o combustível que poderia degradar-se quando o combustível se degrada, suja o interior do sistema de combustível com vernizes e gomas.
- Guarde-o num local fresco e seco e bem ventilado a que as crianças não consigam aceder. Mantenha-o afastado de substâncias corrosivas, tais como produtos químicos utilizados em jardinagem e sais de descongelação.
- Não armazenar ao ar livre.
- Para transportar, prenda o aparelho de modo a evitar que este se mova ou caia, para evitar lesões ou danos no produto.
- Não leve nem transporte o produto enquanto estiver a funcionar.
- Cumpra todos os regulamentos aplicáveis nacional e localmente ao armazenamento e ao manuseio seguros de gasolina.

ARMAZENAMENTO A CURTO PRAZO

- Pare a máquina e deixe arrefecer antes de guardá-la ou transportá-la.
- Limpe todos os materiais estranhos do produto.
- Cubra a lâmina com a devida protecção antes de a guardar, ou durante o transporte da mesma.
- Guarde-o num local fresco e seco e bem ventilado a que as crianças não consigam aceder.
- Mantenha-o afastado de substâncias corrosivas, tais como produtos químicos utilizados em jardinagem e sais de descongelação.
- Não armazenar ao ar livre.

PARA MONTAGEM EM CABEÇA MOTRIZ ELÉCTRICA

- Pare o produto, desligue-o da fonte de alimentação e enrole o cabo. Deixe que o motor arrefeça.
- Limpe todos os materiais estranhos do produto. Guarde-o num local fresco e seco e bem ventilado a que as crianças não consigam aceder. Mantenha-o afastado de substâncias corrosivas, tais como produtos químicos utilizados em jardinagem e sais de descongelação. Não armazenar ao ar livre.
- Quando guardar a unidade durante um longo período de tempo (1 mês ou mais), assegure-se de que a corrente está ligeiramente lubrificada para evitar que oxide. O fabricante recomenda usar o lubrificante Ryobi para a espada e a corrente, disponível em qualquer centro de serviço autorizado de Ryobi.



- Cubra a espada da serra com a bainha antes de guardar o aparelho enquanto lo transporta.
- Para o transporte, segure a máquina para não se mover nem cair e evitar assim lesionar alguém ou danificar a máquina.

MANUTENÇÃO

⚠ ADVERTÊNCIA

Utilize apenas peças de substituição, acessórios e encaixes do fabricante original. A inobservância desta indicação pode causar um fraco desempenho, possíveis lesões e poderá anular a sua garantia.

⚠ ADVERTÊNCIA

Os serviços de manutenção requerem extremo cuidado e conhecimentos e devem apenas ser realizado por um técnico de assistência qualificado. Para assistência, sugerimos que devolva o produto ao seu centro de assistência autorizado mais próximo para reparação. Ao realizar serviços de manutenção, use apenas peças de substituição idênticas.

⚠ ADVERTÊNCIA

A corrente da serra é muito afiada. Para evitar lesões pessoais, tenha muito cuidado ao limpar, ajustar ou retirar a bainha da serra e coloque sempre as luvas de proteção quando realizar a manutenção da corrente.

⚠ ADVERTÊNCIA

Uma manutenção inadequada da correia incrementa o perigo de retrocesso. A não substituição ou reparação de uma corrente danificada pode provocar ferimentos graves.

- Antes de fazer quaisquer trabalhos de manutenção ou limpeza ao produto, desligue o produto e/ou desligue-o da fonte de alimentação e certifique-se de que todas as peças móveis pararam completamente.
- Pode realizar os ajustes e reparações descritos neste manual do utilizador. Para outro tipo de reparações entre em contacto com um agente de serviço autorizado.
- Siga as instruções para lubrificação e verificação e ajuste da tensão da corrente.
- Após cada utilização, limpe a estrutura e as pegas do aparelho com um pano seco e macio.
- Verifique todas as porcas, pregos e parafusos com intervalos frequentes para confirmar a tensão apropriada e se certificar que o produto está em condições seguras de funcionamento. Qualquer peça danificada deve ser substituída ou reparada adequadamente por um centro de serviço autorizado.

Calendário de Manutenção

Verificação diária	
Lubrificante da barra	Antes de cada uso
Tensão da corrente	Antes de cada utilização e frequentemente
Afiação da corrente	Antes de cada utilização, verificação visual
Por peças danificadas	Antes de cada uso
Por fixadores soltos	Antes de cada uso
Combustível de mistura ou combustível e lubrificante (apenas para cabeças motrizes a gasolina)	Antes de cada uso
Engate da embraiagem (apenas para cabeças motrizes a gasolina) (nenhum movimento da corrente ao ralenti)	Antes de cada uso
Danos no cabo de corrente (apenas para cabeças motrizes eléctricas)	Antes de cada uso

RISCOS RESIDUAIS:

Mesmo quando se utiliza o produto segundo as instruções, continua a ser impossível eliminar por completo certos fatores de risco residuais. Os seguintes perigos podem surgir na utilização e o operador deve prestar especial atenção para evitar o seguinte:

- Lesões por vibração. Use sempre a ferramenta certa para o trabalho, use pegas concebidas e restrinja o tempo e exposição de trabalho.
- A exposição ao ruído pode provocar perda de audição. Use proteção para os ouvidos e limite o tempo de exposição.
- O contacto com os dentes de serra expostos da motosserra (perigos de corte).
- Movimentos imprevistos ou ressaltos e abruptos da barra guia (perigos de corte).
- Peças ejetadas pela motosserra (perigos de corte/injeção).
- Pedacos projetados da peça de trabalho (lascas de madeira, farpas)
- Inalação de serrim e partículas.
- Contacto da pele com lubrificante/óleo.

REDUÇÃO DO RISCO

Foi reportado que as vibrações das ferramentas de mão podem contribuir para uma doença designada de Síndrome de Raynaud em determinados indivíduos. Os sintomas podem incluir formigueiro, entorpecimento e empalidezimento dos dedos, habitualmente visível aquando da exposição ao frio. Estima-se que os factores hereditários, exposição ao frio e humidade, dieta, tabagismo e práticas de trabalho contribuem todos para o

desenvolvimento destes sintomas. Existem medidas que podem ser tomadas pelo operador para possivelmente reduzir os efeitos da vibração:

- Mantenha o seu corpo quente durante o tempo frio. Ao operar a unidade, use luvas para manter as mãos e os pulsos quentes. Encontra-se reportado que o tempo frio é um grande factor que contribui para o Síndrome de Raynaud.
- Após cada período de operação, exercite para aumentar a circulação sanguínea.
- Faça pausas frequentes no trabalho. Limite o tempo de exposição por dia.

Caso sinta algum dos sintomas desta doença, interrompa de imediato a sua utilização e consulte o seu médico sobre estes sintomas.

⚠ ADVERTÊNCIA

O uso prolongado de uma ferramenta pode causar o agravar lesões. Ao usar qualquer ferramenta durante períodos prolongados, assegure-se que faz intervalos regulares.

CONHEÇA O SEU APARELHO

Ver a página 175.

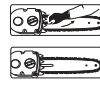
1. Corrente
2. Barra
3. Porca hexagonal
4. Capa da roda dentada
5. Bainha
6. Tampa
7. Tubo curto de aço
8. Suporte de peça

SÍMBOLOS NO PRODUTO

-  Aviso
-  Leia e compreenda todas as instruções antes de manipular o produto, respeite os alertas e as instruções de segurança.
-  Coloque proteção para olhos, ouvidos e cabeça.
-  Utilize calçado de segurança antidesslizante quando utilizar este produto.
-  Use luvas de trabalho resistentes, antidesslizantes.
-  Não o exponha à chuva ou a condições de humidade.
-  Perigo eléctrico, opera a uma distância mínima de 10 m de cabos eléctricos



Tenha cuidado com os objectos voláteis ou lançados. Mantenha todos os espectadores, especialmente crianças e animais de estimação, a pelo menos 15 m da área de funcionamento.



Antes de utilizar o produto, tire sempre a bainha.



Lubrificante para a barra e correia



Direcção de movimento da corrente



Esta ferramenta obedece a todas as normas regulamentares do país da UE onde foi comprada.



Marca de conformidade EurAsian



Os aparelhos eléctricos antigos não devem ser eliminados juntamente com o lixo doméstico. Recicle onde existem instalações para o efeito. Verifique com as suas Autoridades Locais ou revendedor para obter informações sobre reciclagem.



Marca de conformidade ucraniana

As seguintes palavras de sinal e significados destinam-se a explicar os níveis de risco associados a este produto.

⚠ PERIGO
Indica uma situação perigosa iminente, que, se não evitada, poderá resultar em morte ou ferimentos graves.

⚠ ADVERTÊNCIA
Indica uma situação potencialmente perigosa, que, se não evitada, poderá conduzir à morte ou graves lesões.

⚠ ADVERTÊNCIA
Indica uma situação potencialmente perigosa, que, se não evitada, poderá resultar em pequenas ou moderadas lesões.

ADVERTÊNCIA
Sem símbolo de alerta de segurança
Indica uma situação que pode resultar em danos de propriedade.



Sikkerheden, resultaterne og driftssikkerheden har fået topprioritet i udformningen af dit beskærerudstyr.

TILTÆNKET ANVENDELSESFORMÅL

Dette beskærerudstyr er godkendt til brug sammen med alle benzindrevne Ryobi/Homelite-powerheads på 30 kubikcentimeter eller mindre eller med elektrisk drevne RPH1200, RLT12381, RBC12261-powerheads.

Den er kun beregnet til at blive brugt af voksne, som har læst og forstået instruktionerne og advarslerne i denne vejledning og de relevante powerhead-manualer og som kan betragtes som værende ansvarlige for deres handlinger. Dette produkt er kun beregnet til udendørs brug. Af sikkerhedsmæssige årsager skal produktet betjenes med to hænder, så man kan kontrollere det ordentligt.

Produktet er beregnet til afsavning og beskæring af mindre kviste og grene med en diameter mindre end eller lig med sværdlængden, som sidder højt oppe i træet, mens operatøren står med godt fodfæste på jorden. Produktet er designet til at kunne forlænges til en max længde på 2.6 m. Denne arbejdslængde må ikke overskrides.

Ikke beregnet til brug under klatring eller som traditionel kædesav til afgrening eller beskæring af materiale på tæt hold ved jordniveau.

⚠ ADVARSEL

Når produktet anvendes, skal sikkerhedsreglerne efterleves. Af hensyn til egen og andres sikkerhed skal man læse denne brugsanvisning, inden produktet anvendes. Disse sikkerhedsregler skal opbevares med henblik på senere brug.

⚠ ADVARSEL

Produktet er ikke egnet til brug med benzin-drivhoveder, der betjenes med motorcykelhåndtag.

GENERELLE SIKKERHEDSADVARSLER

FOR MONTERING MED BENZINDRETVET POWERHEAD

- Af hensyn til sikker betjening skal man læse og forstå alle anvisninger, inden produktet anvendes. Følg alle sikkerhedsvejledninger. Undlad at følge alle anvisninger, risikerer man alvorlige ulykker, der kan være livsfarlige.
- Motoren må aldrig startes eller køres i lukkede eller dårligt ventilerede områder; indånding af udstødningsrøg kan være dødelig.
- Rør ikke området omkring produktets lyd-dæmper eller cylinder; disse dele bliver varme under drift.
- Stop altid motoren, før du foretager justeringer. Lad maskinen køle af, inden der foretages inspektioner, justeringer, mv.
- Undlad at ryge, når du blander brændstof eller fylder brændstoftanken.
- Bland og opbevar brændstof i en beholder godkendt til brændstof.
- Benzin/olie skal blandes udendørs og på afstand af

steder, hvor gnister eller åben ild forekommer. Alt evt. benzinspild skal optørres. Flyt enheden 9 m bort fra tankningsstedet, inden motoren startes.

- Stop motoren, og lad den køle af, inden produktet tankes eller opbevares.
- Lad motoren køle af; tøm brændstof- og olietanken (hvis det er relevant) og sørg for, at enheden ikke kan bevæge sig, før det transporteres i et køretøj.

⚠ ADVARSEL

Når man slipper udløseren, og motoren kører i tomgang, må klippeudstyret eller kæde ikke være i bevægelse. Hvis disse dele bevæger sig, udsætter operatøren sig for risiko for alvorlig personskade. Undlad da at bruge maskinen. Indlever den på et autoriseret servicecenter til service udført af fagfolk.

FOR MONTERING MED ELEKTRISK DRETVET POWERHEAD

⚠ ADVARSEL

Alle sikkerhedsadvarsler og alle anvisninger skal læses. Manglende overholdelse af advarslerne og anvisningerne kan medføre elektrisk stød, brand og/eller alvorlige personskader.

Gem vejledningen med advarsler og anvisninger til senere opslag.

Med udtrykket "elværktøj" i advarslerne henvises til dit lysnet-drevne (via ledning) elværktøj eller batteridrevne (ledningsfri) elværktøj.

ARBEJDSOMGIVELSER

- **Hold arbejdsområdet rent og godt oplyst.** Rodede eller mørke områder inviterer til ulykker.
- **Brug ikke elværktøjer i eksplosive omgivelser som fx i nærheden af brændbar væske, gas eller støv.** Elværktøjer udløser gnister, som kan antænde støvet eller dampene.
- **Der må ikke være børn og tilskuere i nærheden, når et elværktøj anvendes.** Distractioner kan medføre, at du mister kontrollen.

ELEKTRISK SIKKERHED

- **Elværktøjets elstik skal passe til elnetkontakten. Elstikket må aldrig modificeres på nogen som helst måde. Undlad brug af adapterstik til jordede (stelforbundne) elværktøjer.** Umodificerede elstik og passende elnetkontakter reducerer faren for elektrisk stød.
- **Undgå kropskontakt med jordede eller stelforbundne overflader som fx rør, radiatorer, komfurer og køleskabe.** Der er forøget risiko for elektrisk stød, hvis din krop er forbundet med jord eller stel.
- **Dette produkt må ikke udsættes for regn eller fugt.** Hvis der trænger vand ind i et elværktøj, øges faren for elektrisk stød.
- **Undlad at misbruge ledningen. Ledningen må aldrig**





bruges til at bære eller trække i elværktøjet eller til at trække stikket ud. Ledningen må ikke komme i nærheden af varme, olie, skarpe kanter eller bevægelige dele. Beskadigede eller sammenfiltrede ledninger øger faren for elektrisk stød.

- Når et elværktøj anvendes i det fri, skal der bruges en forlængerledning, der er egnet til udendørs brug. Brug af ledninger beregnet til udendørs brug reducerer faren for elektrisk stød.
- Hvis man er nødt til at bruge et elværktøj i fugtige omgivelser, skal strømforsyningen have en fejlstrømsafbryder (RCD-afbryder). Brug af fejlstrømssikring reducerer faren for elektrisk stød.

PERSONLIG SIKKERHED

- Når man bruger et elværktøj, skal man være agtpågivende, iagttage hvad man gør og bruge sund fornuft. Undlad at bruge et elværktøj, hvis du er træt eller påvirket af narkotika, alkohol eller medikamenter. Et øjeblikks uopmærksomhed under brug af motoriserede værktøjer kan medføre alvorlige personskader.
- Brug personlige værnemidler. Brug altid øjenværn. Værnemidler som fx støvmaske, skridfast sikkerhedsfodtøj, hjelm eller høreværn anvendt korrekt i forhold til de givne forhold reducerer faren for personskader.
- Forebyg utilsigtet start. Kontrollér, at kontakten er i pos. OFF (=slukket), inden værktøjet sluttes til strømkilde og/eller batteri, samles op eller bæres. At bære elværktøjet med fingeren på kontakten eller at slutte strøm til elværktøjet med tændt kontakt er at invitere til ulykker.
- Fjern evt. skruenøgler, inden der tændes for elværktøjet. En efterladt skruenøgle fastgjort til en roterende del af elværktøjet kan medføre personskader.
- Overstræk ikke. Sørg for altid at have godt fodfæste og god balance. Dette giver bedre kontrol over elværktøjet i uventede situationer.
- Vær ordentligt klædt på. Bær ikke løftsiddende tøj eller smykker. Sørg for, at hår, tøj og handsker ikke kommer i nærheden af bevægelige dele. Løstsiddende tøj, smykker eller langt hår kan hænge fast i bevægelige dele.
- Hvis der findes anordninger for tilslutning af støvudsugnings- og opsamlingsudstyr, skal disse tilsluttes og anvendes korrekt. Brug af støvopsamling kan reducere støvrelaterede faremomenter.

BRUG OG PLEJE AF ELVÆRKTØJ

- Undlad at tvinge produktet. Brug elværktøjet til det tiltænkte anvendelsesformål. Det korrekte elværktøj klarer opgaven bedre og sikrer med den hastighed, det er designet til.
- Elværktøjet må ikke tages i brug, hvis TÆND/SLUK-kontakten ikke virker. Et elværktøj, der ikke kan kontrolleres med TÆND/SLUK-kontakten, er farligt og skal repareres.
- Inden udførelse af justeringer, udskiftning af tilbehør eller opbevaring af elværktøjet skal elstikket trækkes ud af elnetkontakten, og

eller batteriet skal tages ud af elværktøjet. Disse forebyggende sikkerhedsforanstaltninger reducerer faren for utilsigtet start af elværktøjet.

- Når elværktøjer ikke bruges, skal de opbevares utilgængeligt for børn; personer, som ikke er fortrolige med elværktøjet eller denne brugsanvisning, må ikke anvende elværktøjet. Elværktøjer er farlige i hænderne på ukundige brugere.
- Elværktøjer skal vedligeholdes. Kontrollér, om der er forkert indjusterede eller forbundne bevægelige dele, afbrækkede dele samt andre tilstande, som kan påvirke elværktøjets funktionsmåde. Hvis der konstateres skader, skal elværktøjet repareres inden brug. Mange ulykker skyldes dårligt vedligeholdte elværktøjer.
- Skærende værktøjer skal holdes skarpe og rene. Korrekt vedligeholdte skærende værktøjer med skarpe skær er mindre tilbøjelige til at binde/blokere og er lettere at kontrollere.
- Brug elværktøjet, tilbehøret og værktøjs-bits osv. som foreskrevet i denne brugsanvisning, og tag højde for arbejdsforholdene og den aktuelle arbejdsopgave. Brug af elværktøjet i strid med de tiltænkte anvendelsesformål kan medføre farlige situationer.

VEDLIGEHOLDELSE

- Sørg for, at elværktøjet serviceres af en kvalificeret reparatør, som kun benytter sig af originale reservedele. Herved garanteres sikkerheden for elproduktet.

EKSTRA SIKKERHEDSADVARSLER

- Nogle områder har regler, som begrænser brugen af produktet til visse formål. Forhør dig hos de lokale myndigheder.
- Lad aldrig børn eller personer uden kendskab til brugsanvisningen bruge produktet. Lokale love kan have indflydelse på den tilladte brugerage.
- Inden hver brug skal man kontrollere, at alle betjeningslementer og alt sikkerhedsudstyr fungerer upåklageligt. Undlad at bruge produktet, hvis motoren ikke kan standses med "SLUK"-kontakten.
- Benyt fuldt øjen- og høreværn, stærke solide handsker samt hovedbeskyttelse, mens du bruger produktet; brug ansigtsmaske, hvis arbejdet genererer støv.
- Undlad at bære løstsiddende tøj, korte bukser eller smykker af enhver art.
- Langt hår skal bindes op over skulderniveau, så det ikke risikerer at vikle sig ind i bevægelige dele.
- Vær opmærksom på, at høreværn begrænser evnen til at høre advarsler (alarmer eller råb). Operatøren skal være ekstra opmærksom på, hvad der sker i arbejdsområdet.
- Brug af lignende værktøjer i nærheden øger både risikoen for høreskader og for, at uvedkommende personer kommer ind i dit arbejdsområde.
- Pas på udslyngede genstande; hold alle tilskuere, børn og kæledyr mindst 15 m væk fra arbejdsområdet. Stop produktet, hvis uvedkommende kommer ind i området.

EN

FR

DE

ES

IT

NL

PT

DA

SV

FI

NO

RU

PL

CS

HU

RO

LV

LT

ET

HR

SL

SK

BG

UK





- Må ikke anvendes under dårlige lysforhold. Operatøren skal have tydeligt overblik over arbejdsområdet, så han/hun kan identificere evt. faremomenter.
- Hold et godt fodfæste og balance. Overstræk ikke. Ved at læne sig for langt frem risikerer man at miste balancen og øge risikoen for tilbageslag ('kickback').
- Undlad at bruge dette produkt, hvis du er træt, syg eller påvirket af alkohol, narkotika eller medikamenter.
- Hold alle legemsdele på afstand af alle bevægelige dele.
- Husk altid at inspicere maskinen inden brug. Kontrollér, at alle betjeningslementer fungerer fejlfrit. Kontrollér for løse fastgørelseslementer og at alle skærme og håndtag er fastgjort ordentligt og sikkert. Udskift evt. beskadigede dele inden brug.
- Undgå at ændre ved maskinen på nogen som helst måde eller at bruge dele og tilbehør, som ikke anbefales af producenten.
- Lad aldrig fortrolighed (fra hyppig brug af værktøjet) forårsage skødesløse fejl. En uforsigtig handling kan forårsage alvorlige personskader på en brøkdæl af et sekund.
- Hold håndtagene og gribebladerne tørre, rene og fri for olie og fedt. Glatte håndtag og gribeblader umuliggør sikker håndtering og kontrol af redskabet i uventede situationer.
- Hold altid produktet fast med begge hænder under arbejdet. Hold godt fast i det forreste håndgreb med én hånd. Brug den anden hånd til at tage fat i det bagerste håndtag og betjene produktet.
- Elværktøjet må kun fastholdes i den isolerede gribeblade, da kædesaven kan komme i kontakt med skjulte ledninger. Savkæder, som kommer i kontakt med en strømførende ledning, kan gøre udsatte metaldele på elværktøjet strømførende og give operatøren elektrisk stød.
- Man må ikke ændre produktet på nogen måde eller bruge det til at drive evt. tilbehørsdele eller enheder, der ikke er anbefalet af producenten til brug med produktet.
- Beskæreren leveres med en sele. Skal benyttes under brugen af beskæreren. Den hjælper dig med at kontrollere faldet af beskæreren efter det udførte snit. Den bidrager også til at understøtte maskinens vægt under brug samt ved flytning mellem beskæringspositioner.
- Lokalisér hurtigudløsningsmekanismen, og øv dig i at bruge denne, inden du tager maskinen i brug. Korrekt brug af denne funktion kan forhindre alvorlige personskader i en nødsituation. Man må aldrig bære anden beklædning uden på skulderstroppen eller på anden måde begrænse adgangen til den hurtige udløsemekanisme.
- Inden man starter værktøjet, skal man sikre sig, at savkæden ikke er i kontakt med noget.
- En forkert spændt kæde kan springe af sværdet og medføre alvorlige personskader eller dødsfald. Skal kontrolleres inden hver brug og ofte, især en ny kæde.
- For at reducere risikoen for tilskadekomst i forbindelse med bevægelige dele, skal du altid standse produktet og tage stikket ud af stikkontakten (hvis det er relevant). Sørg først for, at alle bevægelige dele er standset helt:
 - rengøre eller fjerne en blokering
 - at efterlade produktet uden opsyn
 - installation og fjernelse af tilbehørsdele
 - kontrollerer, vedligeholder eller foretager arbejde på maskinen
- Tilbageslag kan forekomme, hvis sværdspidsen rammer en fast overflade, eller hvis savkæden kommer i klemme i træet og sidder fast i snittet. Sværdspidskontakt kan i visse tilfælde forårsage en pludselig modsat reaktion og kaste sværdet op og ind mod operatøren. Hvis savkæden blokeres langs toppen af sværdet, risikerer man, at sværdet presses hurtigt tilbage mod operatøren. Begge disse reaktioner kan få dig til at miste kontrollen over maskinen, hvilket kan resultere i alvorlig personskade. Sæt ikke udelukkende din lid til de sikkerhedsenheder, der er indbygget i din maskine. Når man anvender en beskærer, skal man træffe en række foranstaltninger for at undgå uheld og personskader. Tilbageslag ('kickback') er resultatet af forkert brug af værktøjet og/eller forkerte arbejdsmetoder eller -forhold og kan undgås ved at træffe nedenstående forholdsregler:
 - Gennem en grundlæggende forståelse af, hvordan tilbageslag opstår, mindsker eller fjerner man "overraskelsesmomentet", når det sker. Pludselige overraskelser er forbundet med høj ulykkesrisiko.

ADVARSEL

Hvis produktet tabes, udsættes for stød eller begynder at vibrere unormalt, skal man omgående stoppe det og inspicere det for skader eller lokalisere årsagen til vibrationen. Enhver beskadiget del skal repareres ordentligt eller udskiftes på et autoriseret servicecenter.

FOR MONTERING MED ELEKTRISK DREVET POWERHEAD

- Strømmen skal tilføres via et fejlstrømsmodul (RCD) med en udløsestrøm på max 30 mA.
- Hvis man skal bruge en forlængerledning, skal man sikre sig, at den er velegnet til udendørs brug og har en mærkekapacitet, der er tilstrækkelig til at forsyne produktet. Skal kontrolleres for skader inden hver brug. Kablet skal altid rulles helt ud, da oprullede kabler kan blive overophedet.
- Hvis strømkablet bliver beskadiget, skal det udskiftes før brug.

SIKKERHEDSADVARSLER VEDR. BESKÆRERE

- Brug aldrig beskæreren, hvis der er mulighed for tordenvejr eller lynnedslag. Beskæreren og elkablerne skal opbevares forsvarligt indendørs.
- Sørg for, at alle afskærmninger og håndtag er korrekt monteret og i god stand.
- Undlad at bruge produktet, før du har et ryddet arbejdsområde, et sikkert fodfæste og en planlagt flugtvej fra det faldende grene eller kviste.
- Pas på udladningen af smøremiddeltæge og savsmuld. Benyt evt. maske eller åndedrætsværn.





- Se efter, at stedet, hvor der saves, er frit for forhindringer. Undgå, at sværdets spids kommer i kontakt med grene, kviste eller andre forhindringer, mens man bruger produktet.
- Hold godt fast i maskinen med begge hænder, og anbring kroppen og armene, så de kan modstå evt. tilbageslagskræfter. Tilbageslagskræfter kan kontrolleres af operatøren, hvis der træffes de rigtige forholdsregler. Undlad at slippe beskærerens.
- Overstræk ikke. Dette hjælper dig med at undgå utilsigtet sværds spids-kontakt og giver dig bedre kontrol med produktet i uventede situationer.
- Brug kun de typer reservesværd og -kæder, der er foreskrevet af producenten. Ikke-godkendte reservesværd og -kæder kan forårsage kædebrud og/eller tilbageslag ('kickback').
- Sikker opslibning af kæden kræver specialviden. Derfor anbefaler producenten på det kraftigste, at en slidt eller uskarp kæde udskiftes med en ny, der fås få autoriserede Ryobi-servicecentre. Reserveredelsnummeret fremgår af produktspecifikationstabellen i denne brugsanvisning.

- Må ikke bruges på stige eller ustabil understøttelse. Stå altid med solidt fodfæste på begge ben for at undgå at få overbalance.
- For at undgå elektrisk stød må man ikke benytte produktet inden for 10 m afstand af elektriske luftledninger.
- Fjern grene i afsavede sektioner. Må ikke anvendes i farlige positioner. Pas på faldende grene samt grene, som springer tilbage fra jorden efter at være faldet ned.
- Vær yderst påpasselig, når der saves i småkrat og unge træer, da tynde grene mv. Kan gribe fat i kæden og blive pisket ind mod én eller bevirke, at man får overbalance.
- Under oversavning af grene, der sidder i spænd, skal man passe på ikke at blive ramt, når spændingen i træfibrene frigøres.
- Hvis skæreydelsen formindskes i løbet af tiden, skal man kontrollere, om kædens tænder er skarpe og rene. Om nødvendigt skal man udskifte den oprindelige kæde (og sværd) ifølge producentens anbefalinger.
- Hvis kæden og sværdet bliver fastklemt eller indfanget i grene, der er for høje til, at de kan nås, skal man søge råd hos en professionel træfældningsspecialist mht. sikker fjernelse af skærereds-kabet.

ADVARSEL

Kontrollér inden hver brug, og med hyppige mellemrum, at alle skafkoblinger på forlængerstang og redskab er forsvarligt fastgjort.

PERSONLIGE VÆRNEMIDLER

Personlige værnemidler af god kvalitet, som anvendes af professionelle, bidrager til at mindske risikoen for personskader på operatøren. Man bør benytte følgende udstyr, når man arbejder med produktet:

Sikkerhedshjelm

- skal opfylde kravene iht. EN 397 og skal være CE-mærket

Høreværn

- skal opfylde kravene iht EN 352-1 og skal være CE-mærket

Øjen- og ansigtsværn

- skal være CE-mærket og opfylde EN 166 (for sikkerhedsbriller) eller EN 1731 (for visirmasker)

Handsker

- skal opfylde kravene iht EN 381-7 og skal være CE-mærket

Fodtøj

- skal opfylde kravene iht. EN 20345 og skal være CE-mærket

BETJENING - BESKÆRING

- Man skal undersøge træets og grenenes tilstand, inden man påbegynder arbejdet. Hvis der er tegn på skader eller råd, må man ikke selv forsøge sig med beskæring. Beskadigede eller rådne grene er særdeles ustabile. Søg råd hos en professionel trækirurg.
- Man må aldrig stille sig under en gren, der beskæres.
- Beskære grene falder ikke altid lige ned på jorden. De kan let blive indfanget og afbøjet af andet løv. Sørg for, at der under hele beskæringsarbejdet er en sikkerhedszone på mindst to gange længden af den gren, der skal skæres. Er dette ikke muligt, skal man søge råd hos en professionel trækirurg.
- Sørg for, at den faldende gren ikke til fare for dig selv, omkringstående personer eller ejendom, herunder forsyningskabler.
- Redskabet må aldrig benyttes med stangen i en vinkel på mere end 60° fra vandret.
- Beskærerens må aldrig benyttes med klippereds-kaberne tættere end 10m på elektriske luftledninger.
- Undlad at tvinge produktet; lad kæden gøre arbejdet med sin egen hastighed.
- Undlad at klippe grenen for tæt på stammen. Der skal være en afstand på ca. 15 cm fra den stamme, der skal skæres.
- Lad savsværdet hvile på den gren, der skal beskæres, og pres saven forsigtigt fremad, så den ribbede barkstøtte også rører ved grenen. Dette vil bidrage til bedre stabilitet, skæring og give renere snit.
- Små grene, som er både tynde i diameter og lette, kan skæres med et enkelt snit ved hjælp af savsværdets underkant.
- Hvis der er fare for, at tungere og tykkere grene kan knække eller flække under skæringen, bør man starte med at skære grenen nedefra med sværdets overside. Dette snit skal saves ca. en tredjedel gennem grenen. Med sværdets underkant laver man dernæst et nyt snit i grenen ovenfra, som så møder det første snit.
- Overvej at beskære større grene i håndterbare stykker i stedet for som én lang gren.



- Forsøg aldrig af genstarte et gammelt snit, mens kæden og sværdet sidder i det gamle snit. Start altid et nyt snit. Herved reduceres faren for tilbageslag ('kickback') og evt. personskader.

TRANSPORT OG OPBEVARING

FOR MONTERING MED BENZINDREVET POWERHEAD

- Stop produktet, og lad det køle af, inden den opbevares eller transporteres.
- Afrens alle fremmedlegemer fra produktet.
- Ved opbevaring af enheden i en længere periode (en måned eller længere) skal man huske at smøre kæden let, så den ikke rustet. Producenten anbefaler brug af Ryobi-sværd og -kædesmøremiddel, som du kan få hos dit autoriserede Ryobi-servicecenter.
- Beskyt savesværdet med skeden inden opbevaring af produktet - eller under transport.
- Tøm benzintanken helt. Brug en dunk, der er godkendt til brændstof. Husk at sætte brændstofflæppen korrekt på og stramme den.
- Dræn efter behov al smøremiddel fra tanken ind i en beholder, som er godkendt til smøremiddel. Husk at sætte hætten ordentligt på smøremiddelbeholderen.
- Start motoren og lad den gå, til den kører tør. Dette vil fjerne alt brændstof, der ellers ville blive muggent og efterlade rester og klæbrigt materiale i brændstofsysteet.
- Opbevar den på et køligt, tørt og godt ventileret sted utilgængeligt for børn. Opbevar motorsaven på afstand af ætsende midler som f.eks. havekemikalier og optønings salt.
- Må ikke opbevares udendørs.
- Til transport skal man sikre produktet, så den ikke kan bevæge sig eller vælte; dette for at forebygge personskader eller skader på produktet.
- Produktet må aldrig bæres eller transporteres, mens det kører.
- Overhold alle ISO-normer og gældende bestemmelser for sikker opbevaring og håndtering af benzin.

KORTVARIG OPBEVARING

- Stop maskinen, og lad den køle af, inden den opbevares eller transporteres.
- Afrens alle fremmedlegemer fra produktet.
- Beskyt klingens med klingebeskytteren inden opbevaring af produktet - eller under transport.
- Opbevar den på et køligt, tørt og godt ventileret sted utilgængeligt for børn.
- Opbevar motorsaven på afstand af ætsende midler som f.eks. havekemikalier og optønings salt.
- Må ikke opbevares udendørs.

FOR MONTERING MED ELEKTRISK DREVET POWERHEAD

- Stop produktet, afbryd strømforsyningen og rul kablet ind. Lad motoren køle af.
- Afrens alle fremmedlegemer fra produktet. Opbevar den på et køligt, tørt og godt ventileret sted utilgængeligt

for børn. Opbevar motorsaven på afstand af ætsende midler som f.eks. havekemikalier og optønings salt. Må ikke opbevares udendørs.

- Ved opbevaring af enheden i en længere periode (en måned eller længere) skal man huske at smøre kæden let, så den ikke rustet. Producenten anbefaler brug af Ryobi-sværd og -kædesmøremiddel, som du kan få hos dit autoriserede Ryobi-servicecenter.
- Beskyt savesværdet med skeden inden opbevaring af produktet - eller under transport.
- Til transport skal man sikre maskinen, så den ikke kan bevæge sig eller vælte; dette for at forebygge personskader eller skader på maskinen.

VEDLIGEHOLDELSE

⚠ ADVARSEL

Brug kun originale reservedele, ekstraudstyr og tilbehør fra producenten. I modsat fald er der fare for personskader, dårlig maskinydelse og annullering af garantien.

⚠ ADVARSEL

Vedligeholdelse kræver stor omhyggelighed og viden og kun bør udføres af en kvalificeret tekniker. Vi anbefaler du leverer enheden tilbage til dit nærmeste autoriserede service center til reparation. Skal dele udskiftes må kun identiske reservedele anvendes.

⚠ ADVARSEL

Savkæden er meget skarp. For at forhindre personskader skal man udvise ekstrem forsigtighed ved rengøring, montering eller aftagning af kædeskeden og altid bære beskyttelseshandsker, når man udfører vedligeholdelse på kæden.

⚠ ADVARSEL

Forkert vedligeholdelse af kæden øger faren for tilbageslag ('kickback'). Ved at arbejde videre med en beskadiget kæde udsætter man sig for alvorlig ulykkesrisiko.

- Før der udføres vedligeholdelse eller rengøringsarbejde, skal produktet slukkes, og/eller strømforsyningen skal afbrydes, og man skal sikre, at alle bevægelige dele overhovedet ikke bevæger sig.
- Du kan lave justeringer og reparationer beskrevet i denne brugervejledning. Til andre reparationsopgaver skal man kontakte den autoriserede servicemontør.
- Følg vejledningen i smøring og kontrol/justering af kædespænding.
- Produktlegemet og -håndtagene skal rengøres med en blød klud efter hver brug.
- Tjek ofte alle møtrikker, bolte og skruer om de sidder godt fast, og sørg for at produktet fungerer ordentligt. Enhver del, som bliver beskadiget, skal repareres

ordentligt eller udskiftes på et autoriseret servicecenter.

Vedligeholdelsesoversigt

Daglig kontrol	
Bjælkesmøremiddel	Inden hver brug
Kædespænding	Inden hver brug - og hyppigt
Kædeskarphed	Inden hver brug, visuel kontrol
For beskadigede dele	Inden hver brug
For løse spænder	Inden hver brug
Brændstofblanding eller brændstof og smøremiddel (kun for benzindrevet powerhead)	Inden hver brug
Aktivering af kobling (kun for benzindrevet powerhead) (ingen kædebevægelse ved tomgang)	Inden hver brug
Strømkabel ved beskadigelse (kun for elektrisk drevet powerhead)	Inden hver brug

UUNDGÅELIGE RISICI

Selv om produktet anvendes som foreskrevet, er det stadig umuligt at eliminere visse uundgåelige risikofaktorer fuldstændigt. Følgende risici kan opstå under brug, og operatøren bør være særligt opmærksom for at undgå følgende:

- Personskader forårsaget af vibration. Brug altid det rigtige værktøj i forhold til arbejdsopgaven, benyt de hertil indrettede håndtag, og sørg for at begrænse arbejds- og eksponeringstiden.
- Eksponering for støj kan medføre høreskader. Benyt høreværn, og begræns eksponering.
- Kontakt med savkædens blottede tænder (fare for skæring).
- Uforudsete, pludselige bevægelser eller tilbageslag ('kickback') af styresværdet (fare for skæring).
- Dele udslynget fra savkæden (fare for skæring/injektion).
- Udslyngede dele af emnet (træspåner, splinter).
- Inhalering af savstøv og partikler.
- Hudkontakt med smøremiddel/olie.

RISIKOREDUKTION

Der er rapporteret om, at vibrationer fra håndholdte værktøjer kan være medvirkende til en lidelse kaldet Raynauds syndrom hos visse personer. Symptomerne herpå kan være prikken, følelseløshed og blegning af fingrene, der normalt viser sig ved kuldepåvirkning. Faktorer som arvelighed, udsættelse for kulde og fugt,

kost, rygning og arbejdsvaner menes alle at medvirke til udviklingen af disse symptomer. Der findes forholdsregler, som operatøren kan træffe for at begrænse påvirkningen fra vibrationer:

- Hold kroppen varm i koldt vejr. Brug handsker, så hænder og vriste holdes varme under arbejdet. Der er rapporteret om, at koldt vejr er en væsentlig faktor til Raynauds syndrom.
- Motionér efter hver arbejdsperiode for at øge blodcirkulationen.
- Hold hyppige arbejdspauser. Begræns eksponeringen for vibrationer pr. dag.

Hvis du mærker nogen af symptomerne på denne tilstand, skal du straks ophøre med arbejdet og søge læge.

⚠ ADVARSEL

Længere tids brug af et værktøj kan forårsage - eller forværre - personskader. Når man bruger et værktøj i længere perioder ad gangen, skal man huske at holde hyppige pauser.

KEND PRODUKTET

Se side 175.

1. Kæde
2. Sværd
3. Sekskantmøtrikken
4. Kædehjulsskærm
5. Skede
6. Olieadæksel
7. Kort stålør
8. Tilbehørskrog

SYMBOLER PÅ PRODUKTET



Sikkerheds Varsel



Alle vejledninger skal læses og forstås, inden produktet benyttes; følg alle advarsler og sikkerhedsinstrukser.



Benyt øjen-, høre- og hovedværn.



Benyt skridsikkert sikkerhedsfodtøj, når produktet anvendes.



Brug friktionsfri, kraftige handsker.



Må ikke udsættes for regn eller bruges på fugtige steder.



Fare for elektrisk stød, mindst 10 m borte fra elektriske luftledninger



Pas på udslyngede eller flyvende objekter. Sørg for, at tilskuere (især børn og dyr) er mindst 15 m fra arbejdsområdet.



Fjern altid skeden, før du anvender produktet.



Sværd- og kædesmøreolie



Kædens bevægelsesretning



Dette redskab overholder alle lovkrav og standarder i det EU-land, hvor det er købt.



EurAsian overensstemmelsesmærke



Elektriske affaldsprodukter bør ikke afskaffes sammen med husholdningsaffald. Genbrug venligst hvor faciliteterne tillader dette. Tjek med din lokale kommune eller forhandler for genbrugsråd.



Ukrainsk overensstemmelsesmærke

De følgende ikoner og betydninger er beregnet til at forklare risikoen involveret i at anvende denne enhed.

⚠ FARE

Indikerer en meget farlig situation, som hvis ikke undgås, kan føre til alvorlige skader og i værste fald døden.

⚠ ADVARSEL

Indikerer en potentielt farlig situation, som hvis ikke undgås, kan føre til alvorlige skader og i værste fald døden.

⚠ PAS PÅ

Indikerer en potentielt farlig situation, som hvis ikke undgås, kan føre til mindre eller moderate skader.

PAS PÅ

Uden sikkerhedsadvarselssymbol

Indikerer en situation, som kan medføre materiel skade.

Vi har prioriterat säkerhet, prestanda och pålitlighet i utformningen av ditt tillbehör för beskärning.

ANVÄNDNINGSSOMRÅDE

Detta tillbehör för beskärning är godkänt för användning med alla bensindrivna drivenheter på 30 cc eller mindre från Ryobi/Homelite eller med den elektriska drivenheten RPH1200, RLT12381, RBC12261.

Det är endast avsett att användas av vuxna som har läst och förstått instruktionerna och varningarna i denna manual och i relevant manual för drivenheten, och vilka kan anses ansvariga för sina handlingar. Denna produkt är avsedd för utomhusbruk. Av säkerhetsskäl ska båda händerna användas för korrekt manövrering av produkten.

Produkten är avsedd för kapning och beskärning av mindre grenar med diameter mindre eller lika med klingans bredd och som växer på en höjd så att användaren kan ha ett bra fotfäste på marken under arbetet. Produkten är avsedd att kunna sträckas till en max längd på 2.6 meter. Överskrid inte arbetslängden.

Den är inte avsedd att användas vid klättring eller för kapning eller klippning vid marknivå som en konventionell motorsåg.

⚠ VARNING

När man använder apparaten måste säkerhetsföreskrifterna följas. För din egen, och andra närvarandes säkerhet, läs alltid dessa instruktioner innan du använder produkten. Förvara instruktionerna på ett säkert ställe för användning vid senare tillfälle.

⚠ VARNING

Produkten är inte lämplig för användning med bensinhuvuden tillsammans med cykelhandtag.

ALLMÄNNA SÄKERHETSFÖRESKRIFTER

FÖR MONTERING MED BENSINDRIVEN DRIVENHET

- För din egen säkerhet: läs och förstå alla instruktioner innan produkten används. Följ alla säkerhetsanvisningar. Underlåtelse att följa alla anvisningar kan medföra svåra personskador.
- Starta och kör aldrig motorn i ett tillstängt eller dåligt ventilerat utrymme; inandning av ångor kan döda.
- Vidrör inte området runt ljuddämparen eller produktens cylinder, eftersom dessa delar blir heta vid användning.
- Stäng alltid av motorn innan du gör några inställningar. Låt maskinen svalna före inspektioner, justeringar, etc.
- Rök inte när du blandar bränsle eller fyller på bränsletanken.
- Blanda och förvara bränsle i en behållare som är avsedd för bränsle.
- Blanda bränslet utomhus där det inte finns några gnistor eller öppna lågor. Torka upp eventuellt bränslespill. Förflytta dig 9 m (30ft) bort från påfyllningsstället innan motorn startas.

- Stanna motorn och låt den svalna innan påfyllning av bränsle eller förvaring.
- Låt motorn svalna, töm bränsletanken och oljetanken (om tillämpligt) och säkra enheten så att den inte kan röra sig innan du transporterar den i ett fordon.

⚠ VARNING

När gasreglaget släpps och motorn går på tomgång får inte klipptillbehöret eller kedja röra sig. Om den fortsätter att röra sig finns risk för allvarig personskada för användaren. Använd inte maskinen. Lämna den till auktoriserat servicecenter för åtgärd.

FÖR MONTERING MED ELEKTRISK DRIVENHET

⚠ VARNING

Läs alla säkerhetsvarningar och alla instruktioner. Om du inte följer varningarna och anvisningarna kan du orsaka elektrisk stöt, brand och allvarlig skada.

Spara dessa varningar och instruktioner för senare behov.

Termen "kraftverktyg" i varningarna hänvisar till ditt eldrivna (med sladd) verktyg eller ditt batteridrivna (utan sladd) verktyg.

ARBETSMLJÖ

- **Håll arbetsområdet rent och välupplyst.** Oordnade och mörka områden inbjuder till olyckor.
- **Använd inte kraftverktyg i explosiva atmosfärer, exempelvis i närheten av brännbara vätskor, gaser eller damm.** Kraftverktyg ger upphov till gnistor vilka kan antända damm eller ångor.
- **Håll barn och åskådare borta när du använder ett kraftverktyg.** Distractioner kan få dig att tappa kontrollen.

ELSÄKERHET

- **Kraftverktygets kontakt måste matcha uttaget. Modifiera inte kontakten på något sätt. Använd inga adapterkontakter med jordade kraftverktyg.** Omodifierade kontakter och matchande uttag minskar risken för elektrisk stöt.
- **Undvik kroppskontakt med jordade ytor, som exempelvis rör, element, spis och kylskåp.** Det föreligger en förhöjd risk för elektrisk stöt om din kropp är jordad.
- **Exponera inte produkten för regn eller våta förhållanden.** Vatten som tränger in i ett kraftverktyg ökar risken för elektrisk stöt.
- **Misshandla inte sladden. Använd aldrig sladden för att bära, dra eller koppla bort kraftverktyget. Håll sladden borta från värme, olja, vassa kanter och rörliga delar.** Skadade eller intrasslade elsladdar ökar risken för elektrisk stöt.
- **Använd en förlängningssladd avsedd för utomhusbruk när du använder kraftverktyget utomhus.** Användning av en sladd lämplig för utomhusbruk minskar risken för elektrisk stöt.



- Använd en jordfelsbrytare om det är oundviktigt att använda ett kraftverktyg i en fuktig miljö. Användningen av en jordfelsbrytare minskar risken för elektrisk stöt.

PERSONLIG SÄKERHET

- Var uppmärksam på vad du gör och använd sunt förnuft när du använder ett kraftverktyg. Använd inte ett kraftverktyg när du är trött eller påverkad av droger, alkohol eller mediciner. Ett ögonblicks uppmärksamhet när du använder kraftverktyg kan orsaka allvarig personskada.
- Använd skyddsutrustning. Bär alltid ögonskydd. Skyddsutrustning, som exempelvis andningskydd, halkskyddade säkerhetsskor, huvudskydd och hörselskydd minskar i tillämpliga fall risken för personskador.
- Förhindra oavsiktlig start. Säkerställ att strömbrytaren är i av-läge innan du ansluter till uttaget och/eller batteripaketet, innan du lyfter upp verktyget och innan du bär det. Att bära kraftverktyg med fingret på avtryckaren eller kraftverktyg som är igång bjuder in olyckor.
- Ta bort eventuella justerings- eller skiftnycklar innan du startar kraftverktyget. En skiftnyckel eller justeringsnyckel som lämnas kvar i en roterande del av kraftverktyget kan orsaka personskada.
- Sträck dig inte. Ha alltid ett bra fotfäste och en god balans. Det ger dig bättre kontroll över kraftverktyget i oväntade situationer.
- Klä dig korrekt. Använd inte löst åtsittande kläder eller smycken. Håll ditt hår, dina kläder och handskar borta från rörliga delar. Lössittande kläder, smycken och långt hår kan fastna i rörliga delar.
- Om några uppsamlingsenheter för damm och avfall medföljer ska dessa vara ansluta och användas på ett korrekt sätt. Användningen av en dammuppsamlare kan minska dammrelaterade faror.

ANVÄND OCH TA HAND OM KRAFTVERKTYGET

- Tvinga inte produkten. Använd rätt kraftverktyg för ditt jobb. Rätt kraftverktyg gör jobbet bättre och säkrare om det används i den takt som det är designat för.
- Använd inte kraftverktyget om strömbrytaren inte fungerar för att stänga av och sätta på verktyget. Alla kraftverktyg som inte kan kontrolleras med strömbrytaren är farliga och måste repareras.
- Koppla från eluttaget och/eller batteripaketet från elverktyget före justeringar, byte av tillbehör eller förvaring. Sådana förebyggande åtgärder minskar risken för att kraftverktyget startar oavsiktligt.
- Förvara avstängda kraftverktyg utom räckhåll för barn och låt inte personer som är obekanta med kraftverktyg, eller dessa instruktioner, använda kraftverktyget. Kraftverktyg är farliga i händerna på otränade användare.
- Underhåll dina kraftverktyg. Kontrollera så att inga rörliga delar är felinriktade eller sitter fast, att inga delar har gått sönder samt att ingenting annat föreligger som kan påverka kraftverktygets

användning. Reparera kraftverktyget innan användning om det är skadat. Många olyckor uppstår på grund av dåligt underhållna kraftverktyg.

- Håll skärverktyg vassa och rena. Korrekt underhållna skärverktyg med vassa skärkanter fastnar inte lika lätt och är lättare att kontrollera.
- Använd kraftverktyget, tillbehören och borrspetsar etc. i enlighet med dessa anvisningar och ta hänsyn till arbetsförhållanden och det jobb som ska utföras. Användning av kraftverktyget till andra saker än det är avsett för kan resultera i en farlig situation.

UNDERHÅLL

- Låt en kvalificerad serviceperson serva ditt kraftverktyg med identiska utbytesdelar. Detta säkerställer att kraftverktygets säkerhet bibehålls.

YTTERLIGARE SÄKERHETSFORESKRIFTER

- En del regioner har regelverk som begränsar produktens användning till vissa funktioner. Ta kontakt med lokala myndigheter för information.
- Låt aldrig barn eller personer som inte har läst dessa anvisningar använda produkten. Lokala regler kan åldersbegränsa användningen av gräsklipparen.
- Kontrollera före användning så att reglage och säkerhetsanordningar fungerar som de ska. Använd inte produkten om "Off"-läget inte stoppar motorn.
- Använd heltäckande skyddsglasögon och hörselskydd, ordentligt grova handskar och skyddshjälm vid användning av produkten. Använd ansiktsmask om det dammar mycket.
- Bär inte löst sittande kläder, korta byxor eller smycken av något slag.
- Sätt upp hår som är längre än till axlarna så att det inte trasslas in i rörliga delar.
- När du använder hörselskydd minskar din förmåga att uppfatta varningar (skrik och alarm). Du måste vara extra uppmärksam på vad som sker i arbetsområdet.
- Användning av liknande maskiner i närheten ökar risken för både hörselskador och för andra personer i närheten av arbetsområdet.
- Se upp för kringflygande föremål; håll alla åskådare, barn och husdjur på minst 15 meters avstånd. Stoppa produkten om någon kommer i närheten.
- Använd endast i god belysning. Operatören måste ha god överblick över arbetsområdet för att upptäcka potentiella faror.
- Bibehåll ett bra fotfäste och bra balans. Sträck dig inte. Sträck dig inte för långt så att du tappar balansen och ökar risken för bakslag.
- Använd inte produkten om du är trött, sjuk eller påverkad av alkohol, droger eller medicin.
- Håll alla kroppsdelar borta från rörliga delar.
- Se över maskinen inför varje användning. Se till att alla reglage fungerar som de ska. Kontrollera för lösa fästen, se till att alla skydd och handtag sitter ordentligt på plats. Byt ut eventuella skadade delar före användning.
- Modifiera inte maskinen på något sätt och använd





inte delar eller tillbehör som inte rekommenderats av tillverkaren.

- Begå inte vårdslösa misstag bara för att du har stor användarerfarenhet (för att du använt maskinen ett stort antal gånger och kan den). En oförsiktig handling kan orsaka allvarlig personskada på bara bräkdelen av en sekund.
- Håll handtag och grepp torra, rena och fria från olja och smörjett. Hala handtag och grepp innebär osäker hantering och dålig kontroll över verktyget i oväntade situationer.

⚠ VARNING

Om produkten tappas, utsätts för hårda slag eller börjar vibrera onormalt mycket ska produkten omedelbart stoppas och kontrolleras för eventuella skador eller orsak till vibrationerna. Eventuella skador ska repareras ordentligt eller bytas ut av ett auktoriserat servicecenter.

FÖR MONTERING MED ELEKTRISK DRIVENHET

- El bör komma ifrån en apparat med residual krets (RCD) med en utlösande strömstyrka ej överstigande 30 mA.
- Om du måste använda förlängningskabel ska du kontrollera att den är för utomhusbruk och har tillräcklig kapacitet för att fungera med verktyget. Kontrollera så det inte finns några skador inför varje användning. Rulla ut kabeln under användning, hoprullad kabel kan överhettas.
- Om elkabeln skadas måste den ersättas före användning.

SÄKERHETSFORESKRIFTER FÖR BESKÄRARE

- Använd aldrig beskäraren om det finns risk för åskväder eller blixtnedslag. Förvara beskäraren och elkablarna på säker plats inomhus.
- Se till att alla skydd, handtag och spikskydd sitter ordentligt och är i gott skick.
- Börja inte använda produkten innan arbetsområdet är rensat, du har säkert fotfäste och en planerad reträttväg bort från fallande träd eller grenar.
- Se upp för utsläpp av smörjmedel och sågdamm. Använd mask eller respirator vid behov.
- Håll alltid beskäraren med båda händerna under användning. Använd enbart en hand för att ta fast tag om främre greppet. Använd den andra handen för att greppa det bakre handtaget och sätta produkten i drift.
- Håll i verktygets isolerade handtag eftersom klingan kan komma i kontakt med dolda ledningar. Om klingan kommer i kontakt med en "aktiv" ledning kan metalldelar exponeras och ge användaren en elektrisk stöt.
- Modifiera inte produkten och använd den inte för att driva några tillbehör eller enheter som inte rekommenderas av tillverkaren.
- En sele medföljer beskäraren. Måste användas vid användning av beskäraren. Den hjälper till att kontrollera beskärarens fall efter att skåret är klart. Den hjälper även till att bära tyngden av maskinen under användning och förflyttning.

- Ta reda på snabbkopplingsmekanismen och testa den innan du börjar använda maskinen. Korrekt användning av den kan förhindra allvarliga skador i nödfall. Bär aldrig extrakläder över selen eller på annat sätt förhindra åtkomsten till snabbutlösningen.
- Innan du startar motorsågen ska du kontrollera att klingan inte vidrör något.
- En felaktigt spänd kedja kan hoppa av klingan och leda till allvarlig personskada eller dödsfall. Kontrollera inför varje användning, speciellt med ny kedja.
- För att minska olycksrisken med rörliga delar, stoppa alltid produkten och koppla bort den från strömförsörjningen (om tillämpligt) och se till att alla rörliga delar stannat innan:
 - rengöring eller rensning av ett stopp
 - att lämna produkten utan tillsyn
 - installation eller borttagning av tillbehör
 - kontroll, underhåll eller arbete på maskinen
- Ett kast kan uppstå när spetsen på svärdet rör vid ett föremål eller om kedjan kilar fast i träet under arbetet. Vidröring med spetsen kan orsaka en plötslig omvänd reaktion, slå klingan bakåt och uppåt mot användaren. Om man nyper sågkedjan längs översidan av guidestaven så kan guidestaven tryckas tillbaka mot operatören. Någon av dessa reaktioner kan göra att du förlorar kontrollen över maskinen vilket kan leda till allvarlig personskada. Förlita dig inte enbart på de säkerhetsanordningar som har byggts in i din maskin. Som användare är det många försiktighetsåtgärder att vidta för att undvika olyckor och skador under arbetet. Bakslag beror på felaktig användning och/eller felaktiga procedurer eller förutsättningar och kan undvikas genom att vidta försiktighetsåtgärder enligt nedan:
 - Med en grundläggande förståelse av hur kast uppstår, kan du reducera eller eliminera överraskningsmomentet. Plötsliga överraskningar bidrar till olycksfall.
 - Kontrollera att det område där du säger är fritt från hinder. Låt inte spetsen på staven komma i kontakt med trä, gren, stängsel eller andra hinder under användning.
 - Ha ett fast grepp med båda händerna på maskinen och se till att kroppen och armarna är beredda på bakslag. Kraften i bakslag kan kontrolleras av användaren om man vidtar korrekta försiktighetsåtgärder. Släpp inte taget om beskäraren.
 - Sträck dig inte. Detta förhindrar oönskad beröring med spetsen och det ger bättre kontroll på motorsågen i oväntade situationer.
 - Använd enbart ersättningsklingor och -kedjor som rekommenderas av tillverkaren. Felaktiga ersättningsklingor och -kedjor kan leda till att kedjan går av och/eller bakslag.
 - Slipa kedjan är en uppgift som kräver stor kunskap. Därför rekommenderar tillverkaren att en sliten eller slö kedja byts ut mot en ny som finns hos din auktoriserade Ryobi-återförsäljare. Artikelnumret finns angivet i specifikationstabellen i manualen.
- Använd inte trimmern stående på en stege eller på

EN
FR
DE
ES
IT
NL
PT
DA
SV
FI
NO
RU
PL
CS
HU
RO
LV
LT
ET
HR
SL
SK
BG
UK





någor ostadigt. Såga alltid med båda fötterna på stadigt underlag för att förhindra att du dras ur balans.

- Skydda dig själv mot elektrisk stöt genom att inte arbeta inom 10 meter från nedfallen elkabel.
- Ta bort grenar i sektioner. Använd inte i farliga lägen. Var uppmärksam på fallande grenar och de som kan studsas efter att de träffat marken.
- Var ytterst försiktig då du sågar i små buskar och unga träd, eftersom späda material kan fastna i sågkedjan och piskas mot dig eller dra dig ur balans.
- När en gren som är åtspänd sågas, skall man vara uppmärksam på tillbakafjädring så att man inte träffas då spänningen i träfibren lossas.
- Om prestanda försämras över tiden ska du kontrollera att sågtändarna är vassa och rena. Om nördväntigt, byt ut originalkedjan (och handtaget) enligt tillverkarens rekommendationer.
- Om kedjan eller klingan kläms eller fastnar i grenar som sitter så högt att du inte når ska du skaffa hjälp från erfaren trädskurperson för säker borttagning och skärdelarna.

▲ VARNING

Kontrollera att skaftkopplingen på förlängningsstaven och verktyget sitter ordentligt före varje användning och vid regelbundna tillfällen.

PERSONLIG SKYDDSUTRUSTNING

Personlig skyddsutrustning i hög kvalitet, sådan som används yrkesmässigt, hjälper till att minska risken för personskada på användaren. Följande bör användas vid bruk av produkten:

Skyddshjälm

- ska uppfylla EN 397 och vara CE-märkt

Hörselskydd

- ska uppfylla EN 352-1 och vara CE-märkt

Ögon- och ansiktsskydd

- ska vara CE-märkta och uppfylla EN 166 (skyddsglasögon) eller EN 1731 (nätvisir)

Arbetshandskar

- ska uppfylla EN 381-7 och vara CE-märkt

Skodon

- ska uppfylla EN 20345 och vara CE-märkt

ANVÄNDNING – BESKÄRNING

- Studera skick på träd och grenar före arbetet påbörjas. Om det finns tecken på skador, ruttnande eller håligheter ska du inte beskära själv. Skadade eller ruttna grenar är mycket instabila. Be om hjälp av erfaren trädskurperson.
- Stå aldrig under grenen som skall beskäras.
- Beskurna grenar faller inte alltid rakt ned på marken. De fångas enkelt upp och avisas. Se till att säkerhetsavståndet är minst dubbla längden på den

gren som skärs av och att det bibehålls under hela arbetet. Om det inte går ska du be om hjälp av erfaren trädskurperson.

- Se till att fallande grenar inte skadar dig själv, åskådare eller egendom inklusive elkablar.
- Använd aldrig verktyget med staven i större vinkel än 60° från horisontellt läge.
- Använd aldrig beskäraren med skärbladen närmare överhängande elkablar än 10 meter.
- Tryck inte på produkten, låt kedjan göra jobbet i sin egen hastighet.
- Försök inte skära av grenen alltför nära trädstammen. Lämna ca 15 cm från stammen till skäret.
- Vila sågklingan mot grenen som ska beskäras och tryck försiktigt sågen framåt så att stötdämparen också kommer i kontakt med grenen. Det bidrar till stabiliteten, kapningen och ger renare skär.
- Mindre grenar som har liten diameter och inte är tunga kan skäras i ett skär längst ned på sågklingan.
- För grövre och tyngre grenar där grenen kan spricka eller splittras vid kapningen ska första skäret göras underifrån med spetsen på sågklingan. Gör skäret ungefär en tredjedel av grenens tjocklek. Gör sedan ett andra skär ovanpå grenen med undersidan av klingan som när till det första skäret.
- Överväg att beskära stora grenar i hanterbara delar i stället för som helhet.
- Försök aldrig börja om med sågklingan i ett gammalt skär. Börja alltid med nytt skär. Detta minskar risken för kickback och potentiell personskada.

TRANSPORT OCH FÖRVARING

FÖR MONTERING MED BENSINDRIVEN DRIVENHET

- Stoppa produkten och låt den svalna före transport eller förvaring.
- Ta bort allt främmande material från produkten.
- Vid förvaring av enheten under längre period (mer än en månad) ska du vara noga med att kedjan är lätt insmord för att den inte ska rosta. Tillverkaren rekommenderar Ryobi klinga och kedjesmörjning som finns hos Ryobi auktoriserade servicecentra.
- Sätt på sågklingsskyddet före förvaring av enheten och under transport.
- Töm ut allt bränsle från tanken i en behållare som är godkänd för bensin. Kom ihåg att sätta tillbaka och ordentligt dra åt bränsleblandningslocket.
- Töm ut allt smörjmedel från tanken till en behållare som är godkänd för smörjmedel. Kom ihåg att sätta tillbaka smörjmedelslocket ordentligt.
- Kör motorn tills den stannar. Detta avlägsnar allt bränsle som kan förstöras och lämna lacker och gummiämnen i bränslesystemet.
- Förvara den svalt och välventilerat på en plats där barn inte kan komma åt den. Förvara på avstånd från frätande medel, t.ex. trädgårdskemikalier och vägsalt.
- Förvara den inte utomhus.
- Vid transport ska produkten säkras mot rörelser



eller fallande för att förhindra personskador eller att produkten skadas.

- Bär eller transporterera aldrig produkten när den är igång.
- Följ alla lagar och förordningar beträffande säker förvaring och hantering av bensin.

KORTTIDSFÖRVARING

- Stoppa maskinen och låt den svalna före transport eller förvaring.
- Ta bort allt främmande material från produkten.
- Täck bladet med bladskyddet innan du förvarar eller transporterar enheten.
- Förvara den svalt och välventilerat på en plats där barn inte kan komma åt den.
- Förvara på avstånd från frätande medel, t.ex. trädgårdskemikalier och vägsalt.
- Förvara den inte utomhus.

FÖR MONTERING MED ELEKTRISK DRIVENHET

- Stoppa produkten, koppla bort den från strömförsörjningen och linda upp kabeln. Låt motorn svalna.
- Ta bort allt främmande material från produkten. Förvara den svalt och välventilerat på en plats där barn inte kan komma åt den. Förvara på avstånd från frätande medel, t.ex. trädgårdskemikalier och vägsalt. Förvara den inte utomhus.
- Vid förvaring av enheten under längre period (mer än en månad) ska du vara noga med att kedjan är lätt insmord för att den inte ska rosta. Tillverkaren rekommenderar Ryobi klinga och kedjesmörjning som finns hos Ryobi auktoriserade servicecenter.
- Sätt på sågklyngskyddet före förvaring av enheten och under transport.
- Vid transport ska maskinen säkras mot rörelser eller fallande för att förhindra personskador eller att maskinen skadas.

UNDERHÅLL

⚠ VARNING

Använd enbart ersättningsdelar och tillbehör från tillverkaren. Om inte kan det eventuellt orsaka skador, sämre resultat och kan upphäva garantin.

⚠ VARNING

Att serva produkten kräver extrem försiktighet och kunskap och bör endast utföras av en kvalificerad servicetekniker. Vi rekommenderar att du returnerar produkten till ditt närmsta auktoriserade servicecenter för reparation. Använd endast identiska utbytesdelar när produkten servas.

⚠ VARNING

Sågkedjan är mycket vass. För att förhindra personskada ska du vara extremt försiktig vid rengöring, påsättning eller borttagning av klingskyddet och alltid använda skyddshandskar när du utför underhåll på kedjan.

⚠ VARNING

Felaktigt kedjeunderhåll ökar risken för återkast. Svåra skador kan uppstå om man underlåter att byta ut eller reparera en skadad kedja.

- Slå av och/eller koppla bort produkten från strömförsörjningen, och se till att alla rörliga delar har stannat helt och hållet innan du genomför något underhålls- eller rengöringsarbete.
- Du kan göra de justeringar och reparationer som beskrivs i den här manualen. För alla andra reparationer ska godkänt servicecenter kontaktas.
- Följ instruktionerna för smörjning samt kontroll och justering av kedjespänning.
- Efter varje användning ska produktens yttre och handtag rengöras med en torr, mjuk trasa.
- För att vara säker på att produkten är säker att använda, kontrollera alla muttrar, bultar och skruvar regelbundet för att säkerställa att de är åtdragna ordentligt. Skadade delar skall repareras ordentligt eller bytas ut av en auktoriserad servicefirma.

Underhållsschema

Daglig kontroll	
Stängsmörjmedel	Före varje användning
Kedjespänning	Före varje användning och regelbundet
Kedjeslipning	Före varje användning, visuellt
Skadade delar	Före varje användning
Lösa fästanelordningar	Före varje användning
Bränsleblandning med bränsle och smörjmedel (endast för bensindriven drivenhet)	Före varje användning
Kopplingsingrepp (endast för bensindriven drivenhet) (ingen kedjerörelse vid tomgång)	Före varje användning
Elkabel för ersättning vid skada (endast för eldriven drivenhet)	Före varje användning

KVARSTÅENDE RISKER

Även om produkten används enligt instruktionerna går det inte att eliminera alla eventuella riskfaktorer. Följande risker kan uppkomma under bruk och användaren ska vara

extra uppmärksam för att undvika följande:

- Skada orsakad av vibration. Använd alltid rätt verktyg för arbetet, håll ordentligt i handtagen och begränsa arbetstid och exponering.
- Exponering för buller kan orsaka hörselskador. Använd hörselskydd och begränsa exponeringen.
- Kontakt med exponerad sågtand på sågkedjan (risk för kapning).
- Oförutsett, abrupt förflyttning eller återkast av svärdet (risk för kapning).
- Delar skjuts iväg från kedjan (skär-/sticksår).
- Kringkastade delar av arbetsstycket (träflisor, stickor).
- Inandning av sågdamm och -partiklar.
- Hud i kontakt med smörjmedel/olja.

RISKMINSKNING

Det finns rapporter om att vibrationer från handhållna verktyg kan bidra till ett tillstånd som kallas Raynauds syndrom för vissa personer. Symptomen brukar vara att det sticker i fingrarna och att de domnar bort; fingrarna kan också bli vita, särskilt vid kyla. Årftliga faktorer, kyla och fukt, diet, rökning och arbetsrutiner tros alla bidra till att orsaka dessa symptom. Det finns förebyggande åtgärder som du kan vidta för att försöka minska vibrationernas påverkan:

- Håll dig varm när du arbetar i kallt väder. Använd handskar för att hålla kvar värmen i händer och handleder. Kyla har rapporterats som en viktig del i utvecklandet av Raynauds syndrom.
- Träna och rör på dig efter varje användningstillfälle för att öka blodcirkulationen.
- Ta ofta pauser från arbetet. Begränsa tiden du utsätter dig varje dag.

Upphör omedelbart om du upplever några av dessa symptom och uppsök din läkare.

⚠ VARNING

Risk för person- eller slitageskador vid användning av verktyget under lång tid. Om verktyget används under längre perioder krävs regelbundna pauser.

LÄR KÄNNA PRODUKTEN

Se sida 175.

1. Kedja
2. Stöd
3. Sexkantmutter
4. Sågtandskydd
5. Svärdsida
6. Oljelock/sticka
7. Kort stålrör
8. Tillbehörshängare

SYMBOLER PÅ PRODUKTEN



Säkerhetsvarning



Läs igenom och var införstådd med alla instruktioner före användning av produkten, var uppmärksam på alla varningar och säkerhetsinstruktioner.



Använd alltid ögon-, hörsel- och ansiktsskydd.



Bär halkskyddade säkerhetsskor när du använder produkten.



Används halkfria, grova skyddshandskar.



Utsätt inte för regn eller våta omgivning.



Elektrisk risk, minst 10 meter från överhängande elledningar



Se upp med kringkastade eller flygande föremål. Håll alla åskådare, barn och husdjur på minst 15 meters avstånd från arbetsområdet.



ta alltid bort klingans skydd innan du använder produkten.



Svärd- och kedjesmörjningsmedel



Kedjans riktning



Detta verktyg uppfyller alla standarder i de EU-länder där det kan köpas.

EurAsian överensstämmelseymbol



Gamla elektroniska produkter ska inte kastas med hushållsoporna. Återvinn där sådana faciliteter finns. Kontrollera med din lokala myndighet eller säljaren för att få återvinningstips.



Ukrainskt märke för överensstämmelse

Följande signalord och betydelser är tänkta att förklara de olika risknivåerna som är associerade med denna produkt.

⚠ FARA

Indikerar en överhängande farlig situation som kan, om den inte undviks, resultera i dödsfall eller allvarlig skada.

⚠ VARNING

Indikerar en potentiellt farlig situation som kan, om den inte undviks, resultera i dödsfall eller allvarlig skada.

⚠ PÅMINNELSE

Indikerar en potentiellt farlig situation som kan, om den inte undviks, resultera i mindre eller medelstora skador.

PÅMINNELSE

Utan säkerhetssymbol

Visar på en situation som kan orsaka skada på egendom.

- EN
- FR
- DE
- ES
- IT
- NL
- PT
- DA
- SV**
- FI
- NO
- RU
- PL
- CS
- HU
- RO
- LV
- LT
- ET
- HR
- SL
- SK
- BG
- UK

Turvallisuus, tehokkuus ja luotettavuus ovat olleet leikkurisi suunnittelussa avainsanoja.

KÄYTTÖTARKOITUS

Tämä leikkurisi on hyväksytty käyttöön kaikkien bensiinikäyttöisten, tilavuudeltaan enintään 30 cc Ryobi/Homelite-moottoripäiden tai sähkökäyttöisten RPH1200, RLT1238I, RBC1226I-moottoripäiden kanssa.

Lisälaitetta saavat käyttää vain aikuiset, jotka ovat lukeeet tässä käyttöohjeessa ja käytettävän moottoripään käyttöohjeessa olevat ohjeet ja varoitukset ja ymmärtävät niiden sisällön ja joiden voidaan katsoa olevan vastuussa omista teoistaan. Tämä tuote on tarkoitettu yksinomaan ulkokäyttöön. Turvallisuuden varmistamiseksi tuotetta on ohjattava hallintakahvoilla kahdella kädellä.

Tämä tuote on tarkoitettu korkealla puussa olevien pienien oksien leikkaamiseen ja karsintaan niiden paksuuden ollessa enintään terälevyn pituus ja käyttäjän seisossa tukevasti maassa. Tuote on suunniteltu jatkettavaksi enintään 2.6 metrin pituiseksi. Älä ylitä tätä työpituutta.

Sitä ei ole tarkoitettu käytettäväksi kivetessä eikä tavallisen moottorisahan tavoin ahtaissa paikoissa materiaalin karsimiseen tai oksien katkaisuun maanpinnan tasolla.

VAROITUS

Noudata turvallisuussääntöjä tuotetta käyttäessäsi. Oman ja sivullisten turvallisuuden vuoksi, lue nämä ohjeet ennen tuotteen käynnistämistä. Säilytä ohjeet tulevaa käyttöä varten.

VAROITUS

Tuote sopii käytettäväksi bensiinikäyttöpäiden kanssa ohjaustangon avustuksella.

YLEISET TURVALLISUUSVAROITUKSET

KYTKEMINEN BENSIINIKÄYTTÖISEEN MOOTTORIPÄÄHÄN:

- Jotta tuotteen käyttö olisi turvallista, lue ja ymmärrä kaikki ohjeet ennen sen käyttöä. Noudata kaikkia turvaohjeita. Ohjeiden laiminlyöminen voi aiheuttaa vakavan vamman.
- Älä koskaan käynnistä tai käytä moottoria suljetussa tai huonosti tuuletetussa tilassa; pakokaasujen hengittäminen voi tappaa.
- Älä kosketa tuotteen äänenvarmenninta tai sylinteriä ympäröivää aluetta, sillä nämä osat kuumenevat käytön aikana.
- Pysäytä aina moottori, ennen kuin alat tehdä säätöjä. Anna koneen jäähtyä ennen tarkastuksia, säätöjä tms.
- Älä tupakoi sekoittaessasi polttoainetta tai täyttäessäsi polttoainesäiliötä.
- Sekoita ja säilytä polttoainetta bensiinin säilytykseen hyväksytyssä astiassa.
- Sekoita polttoaine ulkona paikassa, jossa ei ole kipinöitä eikä liekkiä. Pyyhi pois läikkyneet polttoaine. Siirry 9 metrin (30 jalan) päähän täyttöpaikasta ennen

moottorin käynnistämistä.

- Sammuta moottori ja anna sen jäähtyä ennen tankkausta ja laitteen varastointia.
- Anna moottorin jäähtyä; tyhjennä polttoainesäiliö, sekä öljysäiliö (jos saatavilla), ja varmista, että laite ei pääse liikkumaan kuljetuksen aikana.

VAROITUS

Kun kaasuliipaisin vapautetaan ja moottori käy tyhjäkäynnillä, leikkuuvarusteen tai ketju ei saa liikkua. Jos se liikkuu yhä, se voi aiheuttaa käyttäjän loukkaantumisen. Älä käytä laitetta. Palauta se valtuutettuun huoltoon ammattilaisen säädettäväksi.

KYTKEMINEN SÄHKÖKÄYTTÖISEEN MOOTTORIPÄÄHÄN

VAROITUS

Lue kaikki turvallisuusvaroitukset ja ohjeet. Varoitusten ja ohjeiden laiminlyönnistä voi seurata sähköisku, tulipalo ja/tai vakava loukkaantuminen.

Säilytä nämä varoitukset ja ohjeet myöhempää tarvetta varten.

Sana "sähköyökalu" viittaa varoituksissa verkkovirta- (langalliseen) tai akkukäyttöiseen (langattomaan) sähköyökaluun.

TYÖYMPÄRISTÖ

- Pidä työalue siistinä ja valoisaan. Epäjärjestyksessä olevat ja pimeät alueet myötävaikuttavat onnettomuuksiin.
- Älä käytä sähköyökalua räjähdysalttiissa paikoissa, kuten helposti syttyvien nesteiden tai kaasujen tai pölyn läheisyydessä. Sähköyökalut kipinöivät, mikä saattaa sytyttää pölyn tai höyryt.
- Pidä lapset ja sivulliset loitolla, kun käytät sähköyökaluja. Häiriöt voivat saada koneen riistäytymään hallinnasta.

SÄHKÖTURVALLISUUS

- Pistokkeen on sovittava pistorasiaan. Älä koskaan muunna pistoketta millään tavalla. Älä käytä maadoitettujen sähköyökalujen kanssa minkäänlaisia sovitinpistokkeita. Alkuperäiset pistokkeet ja niitä vastaavat pistorasiat pienentävät sähköiskun vaaraa.
- Älä kosketa maadoitettuihin pintoihin, kuten putkiin, lämpöpattereihin, heloihin tai jääkaappeihin. Jos ruumiisi on maadoitettu, sähköiskun vaara on suurempi.
- Älä altista tuotetta sateelle tai kosteudelle. Sähköyökaluun joutunut vesi kasvattaa sähköiskun vaaraa.
- Pidä huolta sähköjohdosta. Älä koskaan kannan tai vedä sähköyökalua johdosta tai irrota pistoketta johdosta vetämällä. Pidä johto etäällä kuumista paikoista, öljystä, terävistä kulumista ja liikkuvista osista. Voittunut tai takkuinen johto lisää sähköiskun vaaraa.



- Kun käytät sähkötyökäluä ulkotoiloissa, käytä ulkokäyttöön sopivaa jatkojohtoa. Ulkokäyttöön sopivan johdon käyttö pienentää sähköiskun vaaraa.
- Jos sähkötyökäluä on pakko käyttää kosteissa tiloissa, käytä jäännösvirtalaitteella (RCD) suojattua pistorasiaa. RCD:n käyttö pienentää sähköiskun vaaraa.

KÄYTTÄJÄN TURVALLISUUS

- Ole valpas, katso mitä teet ja käytä maalaisjärkeä, kun käytät sähkötyökäluä. Älä käytä sähkötyökäluä väsyneenä tai huumeiden, alkoholin tai lääkkeiden vaikutuksen alaisena. Tarkkaamattomuus sähkötyökäluä käytettäessä saattaa johtaa vakavaan loukkaantumiseen.
- Käytä henkilökohtaisia suojavarusteita. Käytä aina suojalaseja. Suojalaitteet, kuten pölynaamari, luistamattomat suojakengät, kypärä ja kuulosuojaimet vähentävät loukkaantumisen vaaraa.
- Älä anna koneen käynnistyä vahingossa. Varmista, että katkaisin on poissa päältä, ennen kuin kytket koneen virtalähteeseen ja/tai akkuun ja ennen kuin nostat tai kannat konetta. Sähkötyökäluun kantaminen sormi katkaisimella ja virran kytkeminen koneeseen, joka on päällä, saattaa johtaa onnettomuuksiin.
- Irrota säätöavaimet ja jakoavaimet ennen sähkötyökäluun käynnistystä. Sähkötyökäluun pyöryvään osaan jätetty jako- tai säätöavain saattaa johtaa loukkaantumiseen.
- Älä kurkota liian pitkälle. Pystytele tukevasti jaloillasi äläkä kurkota käsivartta liian kauas. Tällöin sähkötyökäluä on helpompi hallita odottamattomissa tilanteissa.
- Älä pukeudu väliin vaatteisiin, kravattiin tai koruihin, jotka voivat juuttua liikkuviin osiin. Älä käytä väliä vaatteita tai koruja. Pidä hiukset, vaatteet ja käsinet etäällä liikkuvista osista. Löysät vaatteet, korut ja pitkät hiukset saattavat tarttua liikkuviin osiin.
- Jos laitetta varten on pölynpoisto- ja keräyslaite, kytke se asianmukaisesti ja käytä sitä oikein. Pölyn kerääminen voi vähentää pölyyn liittyviä vaaroja.

SÄHKÖTYÖKÄLUUN KÄYTTÖ JA HUOLTO

- Älä pakota tuotetta. Käytä työhön sopivaa sähkötyökäluä. Asianmukainen sähkötyökälu hoitaa työt paremmin ja turvallisemmin sillä vauhdilla, jota varten se on suunniteltu.
- Älä käytä sähkötyökäluä, jos se ei käynnisty ja sammuu katkaisimesta. Jos sähkötyökäluä ei voida hallita katkaisimella, se on vaarallinen ja vaatii korjaamista.
- Irrota pistoke virranlähteestä ja/tai akku työkoneesta, ennen kuin teet säätöjä, vaihdat varusteita tai varastoit koneen. Tällaiset varoitimet pienentävät sitä vaaraa, että kone käynnistyy vahingossa.
- Varastoi sähkötyökälu pois lasten ulottuvilta äläkä anna kenenkään, joka ei tunne työkonetta tai näitä ohjeita, käyttää sitä. Sähkötyökäluat ovat vaarallisia kouluttamattomien käyttäjien käsissä.

- Huolla sähkötyökäluat. Tarkista, että liikkuvat osat on kohdistettu oikein ja että ne liikkuvat kunnolla, että osia ei ole rikkoutunut ja että mikään muu seikka ei haittaa sähkötyökäluun toimintaa. Jos sähkötyökälu vioittuu, korjaa se ennen käyttöä. Onnettomuudet johtuvat usein sähkötyökälujen huonosta huollosta.
- Pidä leikkuutyökäluat terävinä ja puhtaina. Asianmukaisesti huolletut leikkuutyökäluat, joiden leikkupinnat ovat teräviä, eivät jumiudu helposti ja niitä on helppo hallita.
- Käytä työkonetta, lisävarusteita, teriä jne. näiden ohjeiden mukaisesti, ja huomioi työolosuhteet ja tehtävän työn laatu. Työkoneen käyttö muuhun kuin sille tarkoitettuun työhön voi aiheuttaa vaarallisia tilanteita.

HUOLTO

- Huollata työkone pätevällä huoltomiehellä, joka käyttää ainoastaan asianmukaisia varaosia. Tämä varmistaa, että sähkötyökälu on turvallinen.

MUITA TURVALLISUUSVAROITUKSIA

- Joillain alueilla vallitsee säädöksiä, jotka rajoittavat tämän tuotteen käyttöä joissain toiminnoissa. Pyydä paikallisilta viranomaisilta neuvoa.
- Älä anna lasten tai käyttöohjeita tuntemattomien ihmisten käyttää tuotetta. Paikalliset säädökset saattavat asettaa rajoituksia käyttäjän iälle.
- Varmista aina ennen käyttöä, että kaikki hallinta- ja turvallisuuslaitteet toimivat asianmukaisesti. Älä käytä tuotetta, jos Off-kytkin ei sammuta moottoria.
- Käytä täysiä suojalaseja ja kuulosuojaimia, kestäviä käsineitä sekä kypärää käyttäessäsi tuotetta; käytä kasvosuojainta, jos käyttö on pölyistä.
- Älä käytä löysiä vaatteita, shortseja tai minkäänlaisia koruja.
- Sido pitkät hiukset hartioiden yläpuolelle, jotta ne eivät pääse tarttumaan liikkuviin osiin.
- Kuulosuojaimet vaikeuttavat varoitusten kuulemistä (hälytyksiä ja huutoja). Käyttäjän on kiinnitettävä enemmän huomiota siihen, mitä työalueella tapahtuu.
- Samankaltaisten laitteiden käyttö lähettyvillä kasvattaa kuulovaurion riskiä sekä vaaraa, että joku muu tulee työalueellesi.
- Varo sinkoilevia kappaleita; pidä kaikki sivulliset, lapset ja lemmikit vähintään 15 metrin päässä työalueesta. Sammuta tuote, jos alueelle tulee joku.
- Älä käytä tätä työkalua huonosti valaistussa paikassa. Käyttäjällä on oltava esteetön näkyvyys työalueelle, jotta hän näkee mahdolliset vaaratekijät.
- Pidä vakaa tasapaino. Älä kurkota liian pitkälle. Liian pitkälle kurottelu voi aiheuttaa tasapainon menetyksen ja kasvattaa takapotkun vaaraa.
- Älä käytä tätä tuotetta väsyneenä, sairaana tai huumeiden, alkoholin tai lääkkeiden vaikutuksen alaisena.
- Pidä kaikki ruumiinosat kaukana liikkuvista osista.
- Tarkasta laite aina ennen käyttöä. Tarkista, että kaikki hallintalaitteet toimivat asianmukaisesti. Tarkista





kiinnikkeiden kireys ja että kaikki suojukset ja kahvat on kiinnitetty tukevasti. Vaihda kaikki vioittuneet osat ennen käyttöä.

- Älä muunna laitetta millään tavoin tai käytä osia tai lisävarusteita, jotka eivät ole valmistajan suosittelemia.
- Kun olet tottunut työkalun käyttäjä (useiden käyttökertojen kuluttua), älä tee virheitä, koska valppautesi heikkenee. Huolimaton toiminto voi aiheuttaa välittömän loukkaantumisen.
- Pidä kädensijat ja tartuntapinnat kuivina ja puhtaina liasta, öljystä ja rasvasta. Liukkaat kahvat ja tartuntapinnat tekevät käytöstä vaarallista, eikä laitetta voi hallita odottamattomissa tilanteissa.

VAROITUS

Jos tuote putoaa, saa kovan iskun tai alkaa täristä normaalia enemmän, sammuta se heti ja tarkista se vaurioiden varalta tai paikanna tärinän syy. Valtuutetun huoltopisteen on korjattava tai vaihdettava vioittuneet osat asianmukaisesti.

KYTKEMINEN SÄHKÖKÄYTTÖISEEN MOOTTORIPÄÄHÄN

- Virtalähteessä tulee olla jännönsvirtalaite (RCD), jonka trippausvirta on enintään 30 mA.
- Jos sinun on käytettävä jatkojohtoa, varmista että se soveltuu ulkokäyttöön ja että sen luokitus riittää tuotteelle. Tarkista se vaurioiden varalta ennen jokaista käyttökertaa. Avaa aina se kääroiltä ennen käyttöä, koska kääriyty johdot voivat ylikuumentua.
- Jos virtajohto on vahingoittunut, se on vaihdettava uuteen ennen laitteen käyttöä.

KARSINTASAHAN TURVALLISUUSVAROITUKSET

- Älä koskaan käytä oksasahaa jos on ukkosen tai salamoinnin mahdollisuus. Säilytä oksasahaa ja virtajohtoa sisätiloissa turvallisessa paikassa.
- Varmista, että kaikki suojukset ja kahvat ovat kunnolla paikoillaan ja hyvässä kunnossa.
- Älä aloita tuotteen käyttöä, ennen kuin sinulla on esteeton työalue, vakaa jalansija ja suunniteltu poistumisreitti putoavien oskien tieltä.
- Varo voiteluainesumua ja sahanpurua. Käytä tarvittaessa maskia tai hengityslaitetta.
- Pitele oksasahaa aina kaksin käsin sitä käyttäessäsi. Tartu etukahvaan yhdellä kädellä. Tartu toisella kädellä takakahvaan ja käynnistä laite.
- Pitele sähkötyökalua ainoastaan eristetyistä kosketuspinnosta, sillä moottorisaha saattaa osua katkettuihin johtoihin. Jos teräketju koskettaa sähköistettyä johtoa, työkalun metalliosat voivat sähköistyä ja aiheuttaa käyttäjälle sähköiskun.
- Älä muuntele tuotetta millään tavoin tai käytä sitä minkään lisävarusteen tai laitteen virtalähteenä, jos valmistaja ei suosittele sitä tuotteellesi.
- Oksasahan mukana toimitetaan valjaat. Sinun on käytettävä sitä käyttäessäsi oksasahaa. Se auttaa hallitsemaan oksasahan putoamista leikkaamisen

jälkeen. Se auttaa myös tukemaan laitteen painoa käytön aikana ja siirryttäessä karsintakohdasta toiseen.

- Paikanna pikavapautusmekanismi ja harjoittele sen käyttöä ennen kuin alat käyttää laitetta. Sen asianmukainen käyttö voi hätätilanteessa estää vakavan loukkaantumisen. Älä koskaan käytä vaatteita valjaiden päällä tai muutoin estä pikavapautusmekanismin käyttöä.
- Ennen kuin käynnistät laitteen, varmista että teräketju ei kosketa mitään esinettä.
- Väärin kiristetty ketju voi hypätä pois terälevyltä ja aiheuttaa vakavan vamman tai kuoleman. Tarkista ennen jokaista käyttökertaa ja säännöllisesti, erityisesti uusi ketju.
- Jotta vähentäisit riskiä liikkuvien osien mahdollisesti aiheuttamilta vahingoilta, sammuta aina laite ja irrota se virtalähteestä (jos saatavilla), varmista, että kaikki liikkuvat osat ovat pysähtyneet ennen:
 - ennen tukoksen poistamista
 - tuotteen jättäminen valvomatta
 - asennat tai irrotat lisävarusteita
 - tarkistat tai huollat laitetta tai työskentelet sen parissa
- Takapotku voi ilmaantua, kun terälevyn pää tai kärki koskettaa esinettä tai kun ketju tarttuu ja puristuu puun leikkauskohtaan. Joissakin tapauksissa karkikosketus saattaa aiheuttaa äkillisen vastakkaisen reaktion ja potkaista terälevyn ylös ja taakse kohti käyttäjää. Teräketjun joutuminen puristuksiin saattaa heittää terälevyn käyttäjää kohden. Kumpi tahansa näistä reaktioista saattaa aiheuttaa laitteen hallinnan menetyksen, mikä voi aiheuttaa vakavan loukkaantumisen. Älä luota pelkästään koneen omiin turvalaitteisiin. Oksasahan käyttäjänä sinun tulee suorittaa useita toimenpiteitä välttääksesi onnettomuudet ja loukkaantumiset. Takapotku johtuu työkalun väärästä käytöstä ja/tai vääristä toimenpiteistä tai tilanteista, jotka voidaan välttää alla olevia asianmukaisia varotoimenpiteitä noudattaen:
 - Ymmärtämällä takapotkun perusteet, voit vähentää tai kokonaan eliminoida yllätykset. Äkilliset yllättävät tapahtumat johtavat onnettomuuksiin.
 - Varmista, että alueella, jolla työskentelet, ei ole muita esteitä. Älä anna terälevyn kärjen koskettaa oksaa tai muuta estettä, kun käytät laitetta.
 - Pitele laitetta tukevasti molemmin käsin ja aseta vartalosi ja kätesi siten, että pystyt vastustamaan takapotkun voimaa. Käyttäjä pystyy hallitsemaan takapotkun voiman, jos hän ryhtyy asianmukaisiin varotoimiin. Älä päästä irti oksasahasta.
 - Älä kurkota liian pitkälle. Tämä auttaa tahattoman karkikosketuksen estämisessä ja mahdollistaa tuotteen paremman hallinnan odottamattomissa tilanteissa.
 - Käytä ainoastaan valmistajan suosittelemia terälevyjä ja ketjuja. Epäasianmukaiset terälevyt ja ketjut voivat saada ketjun katkeamaan ja/tai sahan iskemään takaisin.
 - Ketjun teroittaminen turvallisesti vaatii taitoa. Tästä syystä valmistaja suosittelee, että kulunut





tai tylsä ketju vaihdetaan uuteen; uuden ketjun voi hankkia valtuutetusta Ryobi-huollosta. Osanumero ilmoitetaan tuotteen teknisten tietojen taulukossa tässä käsikirjassa.

- Älä käytä laitetta tikkailla tai muulla epävakaalla pinnalla. Sahaa aina molemmat jalat tukevasti maan päällä estääksesi tasapainon menettämisen.
- Jotta et saisi sähköiskua, älä työskentele 10 metriä lähempänä yläpuolisista sähköjohdoista.
- Poista oksat osissa. Älä työskentele vaarallisissa asennoissa. Varo putoavia oksia ja maasta kimpoavia pudonnetta oksia.
- Ole äärimmäisen varovainen, kun leikkaat pientä pensaikkaa tai nuria puita, koska ohuet rungot voivat ottaa kiinni teräketjuun ja lentää käyttäjää kohti tai saada käyttäjän menettämään tasapainonsa.
- Kun leikkaat oksaa, joka on jännityksen alainen, ole varovainen, ettei se iske sinua, kun puukuitujen jännite vapautetaan.
- Jos leikkauskyky heikkenee ajan mittaan, tarkista että terän hampaat ovat terävät ja puhtaat. Vaihda tarvittaessa alkuperäinen ketju (ja terälevy) valmistajan suositusten mukaisesti.
- Jos terä ja terälevy jäävät puristuksiin tai jumiin oksaan liian korkealla ulotuttavaksi, pyydä apua ammattilliselta puupalveluasiantuntijalta koskien leikkurin turvallista irrottamista.

VAROITUS

Tarkista ennen jokaista käyttökertaa ja säännöllisesti, että jatkovarren kaikki liitännät ja työkalut on kiinnitetty huolella.

HENKILÖSTÖN SUOJAIMET

Laadukkaat ammattilaisten käyttämät henkilösuojat auttavat pienentämään käyttäjän loukkaantumiseriskiä. Tuotetta käytettäessä on käytettävä seuraavia varusteita:

Suojakypärä

- sen tulee noudattaa EN 397 -standardia ja olla CE-merkitty

Kuulosuojaimet

- sen tulee noudattaa EN 352-1 standardia ja olla CE-merkitty

Suojalasit ja kasvosuojus

- niiden tulee olla CE-merkittyjä ja noudattaa EN 166 -standardia (suojalasit) ja EN 1731 –standardia (verkkovisiiri)

Käsineet

- sen tulee noudattaa EN 381-7 standardia ja olla CE-merkitty

Jalkineet

- sen tulee noudattaa EN 20345 -standardia ja olla CE-merkitty

KÄYTTÖ – KARSINTA

- Tutustu puun ja oksien kuntoon ennen työn aloittamista. Jos näet merkkejä vaurioista, mätänemisestä tai lahoamisesta, älä yritä karsia oksia itse. Vioittuneet ja lahot oksat ovat hyvin epävakaita. Ota yhteys ammattilliseen ”puukirurgiin”.
- Älä koskaan seiso karsittavan oksan alla.
- Karsitut oksat eivät aina putoa suoraan maahan. Lehvästö takertuu niihin helposti tai ohjaa ne sivuun. Varmista, että säilytät vähintään kaksi kertaa leikattavan oksan pituisen suoja-alueen karsinnan ajan. Jos se ei ole mahdollista, ota yhteys ammattilliseen ”puukirurgiin”.
- Varmista, että putoavasta oksasta ei koidu vaaraa itsellesi, sivullisille tai omaisuudelle, mukaan lukien sähköjohdoille.
- Älä koskaan käytä laitetta sen varren ollessa yli 60° asteen kulmassa vaakasuuntaan nähden.
- Älä koskaan käytä oksasaha leikkurin ollessa alle 10 metrin päässä yläpuolella olevista sähköjohdoista.
- Älä pakota tuotetta vaan anna hetkun tehdä työn omalla vauhdillaan.
- Älä yritä leikata oksaa liian läheltä puunrunkoa. Jätä noin 15 cm:n kanto.
- Lepuuta sahan vartta leikattavalla oksalla ja työnnä sahaa varoen eteenpäin siten, että rivoitettu puskurikokettaa oksaa. Tämä auttaa säilyttämään tasapainon, leikkaamaan ja tekemään leikkauksista puhtaampia.
- Pienet oksat, jotka ovat sekä ohuita että kevyitä, voidaan leikata yhdellä leikkauksella käyttäen sahan alaosa.
- Paksummat ja raskaammat oksat, jotka voivat katketa tai haljeta leikkaamisen aikana, tulisi leikata ensin oksan alta sahatangon yläosalla. Tee tämä leikkaus noin kolmasosa oksan läpi. Tee sitten toinen leikkaus oksan päältä ensimmäistä leikkausta kohden käyttäen sahan alaosa.
- Suuret oksat kannattaa leikata lyhyinä pätkinä eikä kokonaisena.
- Älä koskaan yritä jatkaa edellistä leikkausta ketjun ja terälevyn ollessa aikaisemmassa leikkausurassa. Aloita aina uusi leikkaus. Tämä pienentää takapotkujen ja loukkaantumisten vaaraa.

KULJETUS JA VARASTOITAESSA

KYTKEMINEN BENSIINIKÄYTTÖISEEN MOOTTORI-PÄÄHÄN:

- Sammuta tuote ja anna sen jäähtyä riittävästi ennen varastointia tai kuljetusta.
- Puhdista laitteesta kaikki vieraat materiaalit.
- Kun varastoit laitteen pitemmäksi aikaa (kuukaudeksi tai pitempään), varmista että ketju on voideltu kevyesti, jotta se ei ruostu. Valmistaja suosittelee käyttämään Ryobi-terälevyn ja -ketjun voiteluainetta, jota voidaan hankkia Ryobin valtuuttamasta huollosta.
- Peitä sahatanko suojuksella ennen yksikön varastointia sekä kuljetuksen ajaksi.
- Tyhjennä kaikki polttoaine säiliöstä bensiiniä varten

EN

FR

DE

ES

IT

NL

PT

DA

SV

FI

NO

RU

PL

CS

HU

RO

LV

LT

ET

HR

SL

SK

BG

UK



hyväksytyyn astiaan. Muista asettaa voiteluyksikön suojus oikein paikalleen.

- Tyhjennä säiliöstä kaikki voiteluaine öljylle hyväksytyyn astiaan. Muista asettaa voiteluyksikön suojus oikein paikalleen.
- Anna moottorin käydä, kunnes se pysähtyy. Tämä poistaa kaiken polttoaineen, joka voi väljähtyä ja jättää polttoainejärjestelmään lakkaa ja kumia.
- Varastoi laite viileään, kuivaan ja hyvin tuuletettuun paikkaan, jossa lapset eivät pääse siihen käsiksi. Pidä poissa syövyttäviä aineita kuten puutarhakemikaaleilta ja jäänsulatussuolalta.
- Älä säilytä ulkona.
- Kiinnitä tuote kuljetettaessa siten, että se ei pääse liikkumaan tai kaatumaan, jotta vältytään loukkaantumisilta ja vaurioilta.
- Älä koskaan kannan tai kuljeta tuotetta sen ollessa käynnissä.
- Noudata kaikkia kansallisia ja paikallisia bensiinin turvallista säilytystä ja käsittelyä koskevia määräyksiä.

LYHYTAIKAINEN SÄILYTYS:

- Sammuta laite ja anna sen jäähtyä ennen varastointia ja kuljetusta.
- Puhdista laitteesta kaikki vieraat materiaalit.
- Peitä terä teränsuojuksella ennen yksikön varastointia sekä kuljetuksen ajaksi.
- Varastoi laite viileään, kuivaan ja hyvin tuuletettuun paikkaan, jossa lapset eivät pääse siihen käsiksi.
- Pidä poissa syövyttäviä aineita kuten puutarhakemikaaleilta ja jäänsulatussuolalta.
- Älä säilytä ulkona.

KYTKEMINEN SÄHKÖKÄYTTÖISEEN MOOTTORIPÄÄHÄN

- Pysäytä tuote, irrota se virtalähteestä ja kierrä johto kelalle. Anna moottorin jäähtyä.
- Puhdista laitteesta kaikki vieraat materiaalit. Varastoi laite viileään, kuivaan ja hyvin tuuletettuun paikkaan, jossa lapset eivät pääse siihen käsiksi. Pidä poissa syövyttäviä aineita kuten puutarhakemikaaleilta ja jäänsulatussuolalta. Älä säilytä ulkona.
- Kun varastoit laitteen pitemmäksi aikaa (kuukaudeksi tai pitempään), varmista että ketju on voideltu kevyesti, jotta se ei ruostu. Valmistaja suosittelee käyttämään Ryobi-terälevyn ja -ketjun voiteluainetta, jota voidaan hankkia Ryobin valtuuttamasta huollosta.
- Peitä sahatanko suojuksella ennen yksikön varastointia sekä kuljetuksen ajaksi.
- Kiinnitä laite kuljetettaessa siten, että se ei pääse liikkumaan tai kaatumaan, jotta vältytään loukkaantumisilta ja vaurioilta.

HUOLTO

VAROITUS

Käytä ainoastaan alkuperäisiä valmistajan tuottamia varaosia, lisälaitteita ja lisävarusteita. Tämän noudattamatta jättäminen voi johtaa loukkaantumiseen ja huonoon tulokseen ja voi mitätöidä takuun.

VAROITUS

Huolto kaipaa suurta huolellisuutta ja hyvää työkalun tuntemusta: Se on annettava pätevän teknikon tehtäväksi. Suosittelemme, että viet työkalun korjattavaksi lähimpään valtuutettuun liikkeeseen. Käytä vaihdossa yksinomaan alkuperäisiä varaosia.

VAROITUS

Teräketju on erittäin terävä. Jotta vältytään loukkaantumiselta, ole erittäin varovainen puhdistaessasi laitetta ja sovittaessasi tai irrottaessasi ketjunsuojusta ja käytä aina suojakäsineitä huoltaessasi ketjua.

VAROITUS

Teräketjun virheellinen ylläpito lisää takapotkun vaaraa. Vaurioituneen ketjun vaihtamisen tai korjaamisen laiminlyönti voi aiheuttaa vakavan vamman.

- Ennen kuin alat tehdä tuotteelle huolto- tai puhdistustöitä, sammuta tuote ja/tai irrota se virtalähteestä ja varmista, että kaikki liikkuvat osat ovat pysähtyneet täydellisesti.
- Voit tehdä tässä käyttöoppaassa kuvattuja säätöjä ja korjauksia. Jos laite vaatii muuta huoltoa, ota yhteys valtuutettuun huoltopisteeseen.
- Noudata ohjeita voitelusta ja ketjun kireyden tarkistamisesta ja säädöstä.
- Puhdista tuotteen runko ja kahvat pehmeällä, kuivalla liinalla jokaisen käyttökerran jälkeen.
- Varmista aina, että ruuvit ja mutterit ovat tiukasti kiinni, jotta tuote olisi aina turvallinen ja käyttövalmis. Valtuutetun huoltopisteen on korjattava tai vaihdettava vioittuneet osat asianmukaisesti.

Polttoainesekoituksen määrä

Päivittäinen tarkastus	
Laippaöljy	Ennen jokaista käyttöä
Teräketjun terävyys	Ennen jokaista käyttökertaa ja säännöllisesti
Viallisten varaosien varalta	Ennen jokaista käyttökertaa, silmämääräinen tarkastus
Iltonaisten kansien varalta	Ennen jokaista käyttöä

Irtonaisten kiinnitysosien varalta	Ennen jokaista käyttöä
Polttoaineseos tai polttoaine ja voiteluöljy (vain bensiinimoottorille)	Ennen jokaista käyttöä
Kytkin (vain bensiinimoottorille) (ketju ei liiku joutokäynnillä)	Ennen jokaista käyttöä
Virtajohto (vain sähkömoottorille)	Ennen jokaista käyttöä

KÄYTTÖÖN LIITTYVÄT RISKIT

Vaikka tuotetta käytettäisiin ohjeiden mukaisesti, ei ole mahdollista täysin eliminoida tiettyjä käyttöön liittyviä riskitekijöitä. Käytössä voi aiheutua seuraavia vaaroja, ja käyttäjän tulee kiinnittää erityistä huomiota niiden välttämiseen:

- Tärinän aiheuttama vamma. Käytä aina työhön sopivaa laitetta, käytä nimettyjä kahvoja ja rajoita työaikaa sekä altistumista.
- Liian kova melu voi aiheuttaa kuulovamman. Käytä suojalaseja ja rajoita altistumista.
- Teräketjun paljaisiin hampaisiin koskettaminen (leikkuuvaara).
- Terälevyn odottamaton, äkillinen liike tai takapotku (leikkuuvaara).
- Teräketjusta sinkoutuvat osat (leikkuu/lävistysvaara)
- Sinkoutuneet puukappaleet (puulastut, tikut).
- Sahanpurun ja hiukkasten hengittäminen
- Ihokosketus voiteluaineen/öljyn kanssa

RISKIEN VÄHENTÄMINEN

Raporttien mukaan käsikäyttöisten laitteiden tärinä voi joidenkin kohdalla myötävaikuttaa Raynaud's Syndromen (Raynaudin oireen) ilmenemiseen. Oireita ovat pistely, turtuus ja sormien kalpeneminen, yleensä kylmässä ilmassa. Perinnölliset tekijät, kylmyys ja kosteus, ruokavalio, tupakointi sekä työtavat voivat kaikki myötävaikuttaa näiden oireiden ilmenemiseen. Käyttäjä voi ehkäistä tärinän aiheuttamia vaikutuksia seuraavasti:

- Pidä itsesi lämpimänä kylmällä säällä. Käytä laitteen käytön aikana käsineitä, jotta kätesi ja ranteesi pysyvät lämpöisinä. Raporttien mukaan kylmä ilma on tärkeä tekijä Raynaud's Syndromen (Raunaudin oireiden) ilmenemisessä.
- Harjoita kunkin käyttöjakson jälkeen liikuntaa, jotta verenkierto lisääntyisi.
- Pidä työn aikana säännöllisesti taukoja. Rajoita päivittäisen tärinän määrä.

Jos mitään yllä mainittuja oireita ilmenee, lopeta heti laitteen käyttö ja kerro oireista lääkärille.

VAROITUS

Laitteen pitkittynyt käyttö voi aiheuttaa tai vaikeuttaa vammoja. Kun käytät mitä tahansa laitetta pitkiä aikoja, muista pitää säännöllisiä taukoja.

TUNNE TUOTTEESI

Katso sivu 175.

1. Ketju
2. Terälevy
3. Kuusiomutteri
4. Vetopyörän suoja
5. Terän suojus
6. Öljytulppa
7. Lyhyt teräsputki
8. Lisälaitteen ripustin

TUOTTEESSA OLEVAT SYMBOLIT



Varoitus



Lue ja ymmärrä kaikki ohjeet ennen tuotteen käyttöä ja noudata kaikkia varoituksia ja turvallisuusohjeita.



Käytä suojalaseja, kuulosuojaimia ja kypärää



Käytä tätä tuotetta käyttäessäsi luisumattomia turvajalkineita.



Käytä luisumattomia raskaan käytön käsineitä.



Älä altista konetta sateelle tai kosteudelle.



Sähköiskun vaara, vähintään 10 metrin päässä roikkuvista sähkölinjoista



Varo sinkoutuneita ja muita lentäviä esineitä. Pidä kaikki sivulliset vähintään 15 metrin päässä toiminta-alueelta – erityisesti lapset ja lemmikit.



Poista teräsuojaus aina ennen laitteen käyttöä.



Terälevyn ja ketjun voitelu



Ketjun liikesuunta



Tämä työkalu on sen EU-maan kaikkien sääntö määräisten standardien mukainen, josta se on ostettu.



EurAsian-vaatimustenmukaisuusmerkki



Käytöstä poistettavia sähkölaitteita ei pidä hävittää talousjätteiden mukana. Ne on mahdollisuuksien mukaan pantava kiertoon. Kierrätysohjeita antavat kunnan viranomaiset ja vähittäiskauppiat.



Ukrainalainen
säästöstenmukaisuusmerkintä

Seuraavat signaalisanat ja merkitykset on tarkoitettu selittämään tähän tuotteeseen liittyviä riskin tasoja.

⚠ VAARA

Ilmaisee välitöntä vaaratilannetta, joka ellei sitä välttetä, johtaa kuolemaan tai vakavaan loukkaantumiseen.

⚠ VAROITUS

Ilmaisee potentiaalisen vaaratilanteen, joka ellei sitä välttetä, johtaa kuolemaan tai vakavaan loukkaantumiseen.

⚠ HUOMAUTUS

Ilmaisee potentiaalisen vaaratilanteen, joka ellei sitä välttetä, saattaa johtaa pienempään tai keskivaikeaan loukkaantumiseen.

HUOMAUTUS

Ilman turvallisuusvaroitussymbolia

Ilmoittaa tilanteesta, jossa omaisuutta saattaa vaurioitua.

Sikkerhet, ytelse og pålitelighet hadde topp prioritet da beskæringssagen ble designet.

TILTENKT BRUK

Denne beskæringssagen er godkjent for bruk med alle Ryobi/Homelites bensindrevne kraftkilder på 30 cc eller mindre, eller med RPH1200, RLT1238I, RBC1226I strømdrevet kraftkilde.

Den skal bare brukes av voksne som har lest og forstått instruksjonene og advarslene i denne håndboken og den aktuelle håndboken for kraftkilden, og som kan anses som ansvarlige for sine handlinger. Denne maskinen er kun ment for utendørs bruk. Av sikkerhetshensyn må produktet betjenes på forsvarlig vis med to hender.

Produktet er ment til kutting og beskæring av små kvister og grener som har en diameter mindre eller like stor som sverdets lengde, som ikke er høyere opp i et tre enn at operatøren klarer å stå støtt på bakken for å nå de. Produktet er designet til å bli forlenget maksimalt til 2.6 m. Ikke overskrid denne arbeidslengden.

Den er ikke ment brukt mens det klatres eller som en konvensjonell motorsag for grenkapping på kort avstand eller beskæring av materialer på bakkenivå.

⚠ ADVARSEL

Når produktet brukes må sikkerhetsreglene følges. Les disse instruksjonene før du tar i bruk produktet for din egen sikkerhet og sikkerheten til personer som befinner seg i nærheten. Vennligst ta vare på instruksjonene for fremtidig bruk.

⚠ ADVARSEL

Produktet passer ikke til bruk sammen med bensinmotorenheter som styres med sykkelstyrehandtak.

GENERELLE SIKKERHETSADVARSLER

FOR MONTERING MED BENSINDRETVET KRAFTKILDE

- For trygg bruk, les og forstå alle instruksjoner før du tar i bruk produktet. Følg alle sikkerhetsinstruksjoner. Hvis du ikke følger dem, kan det føre til alvorlige personskader.
- Ikke start eller kjør motoren i rom uten god ventilasjon; innånding av eksosgasser kan drepe.
- Ikke berør området rundt lydempere eller sylinder på produktet, da disse delene kan være varme etter drift.
- Stopp alltid motoren før du foretar justeringer. La maskinen kjøle seg ned før det foretas inspeksjoner, justeringer m.v.
- Ikke røyk eller bruk åpen ild mens du blander eller fyller tanken med drivstoff.
- Bland og oppbevar drivstoff i en beholder som er godkjent for drivstoff.
- Bland brennstoffet utendørs, på et sted der det ikke finnes gnister eller åpen flamme. Tørk opp alt brennstoffsøl. Flytt 9 m vekk fra påfyllingsstedet for drivstoff før motoren startes.

- Stopp motoren og la den kjøle seg ned før fylling av drivstoff eller lagring av enheten.
- La motoren kjølesned, tøm drivstofftanken og den eventuelle oljetanken, og sikre enheten før transport med et kjøretøy.

⚠ ADVARSEL

Når gassen slippes opp og motoren starter å gå i tomgang, skal kutteutstyr og kjede ikke være i bevegelse. Hvis det fortsetter å bevege seg er det stor risiko for alvorlig skade på operatøren. Ikke bruk maskinen. Lever den til et autorisert servicesenter for en justering av en fagperson.

FOR MONTERING MED ELEKTRISK DREVET KRAFTKILDE

⚠ ADVARSEL

Les alle sikkerhetsadvarslene og alle instruksjonene. Å unnlate å følge advarslene og instruksjonene kan føre til elektrisk støt, brann og alvorlig personskade.

Ta vare på disse advarslene og instruksene for å se i dem senere.

Begrepet "elektrisk verktøy" i advarslene gjelder ditt elektriske verktøy koblet til strømmettet (med ledning) eller batteridrevet (uten ledning) elektrisk verktøy.

ARBEIDSOMGIVELSER

- **Hold arbeidsområdet rent, ryddig og godt opplyst.** Uryddige og dårlig opplyste områder fører lett til ulykker.
- **Ikke bruk elektrisk verktøy i eksplosive atmosfærer, som der det finnes brennbare væsker, gasser eller støv.** Elektrisk verktøy skaper gnister som kan antenne støv eller gasser.
- **Hold barn og andre på avstand når et elektrisk verktøy brukes.** Distraksjon kan føre til tap av kontroll.

ELEKTRISK SIKKERHET

- **Støpslet på det elektriske verktøyet må stemme med stikkkontakten. Foreta aldri noen form for endringer av støpslet. Ikke bruk noen form for adapterstøpsel til jordet elektrisk verktøy.** Umodifiserte støpsler og passende stikkontakter vil redusere risikoen for elektrisk støt.
- **Unngå kroppskontakt med jodede overflater, som vannrør, radiatorer, kokeapparater og kjøleaggregater.** Det er økt risiko for elektrisk støt dersom kroppen din har kontakt med jord.
- **Ikke utsett produktet for regn eller høy fuktighet.** Vann som trenger inn i et elektrisk verktøy vil øke faren for elektrisk støt.
- **Ikke misbruk den elektriske ledningen. Bruk aldri ledningen til å bære det elektriske verktøyet eller trekke støpslet ut av stikkkontakten. Hold ledningen vekk fra varme, olje, skarpe kanter eller bevegelige deler.** Skadet eller sammenfloknet ledning øker risikoen for elektrisk støt.
- **Når du bruker det elektriske verktøyet utendørs,**



bruk en skjøteledning som er tilpasset utendørs bruk. Bruk av ledning som er tilpasset utendørs bruk reduserer risikoen for elektrisk støt.

- **Dersom bruk av elektrisk verktøy i fuktige omgivelser ikke er til å unngå, bruk en strømkrets med sikring som er tilpasset verktøyet.** Bruk av strømkrets med sikring reduserer risikoen for elektrisk støt.

PERSONLIG SIKKERHET

- **Vær våken, se på hva du gjør og bruk fornuft når du arbeider med et elektrisk verktøy.** Ikke bruk elektrisk verktøy når du er sliten eller under påvirkning av narkotiske stoffer, alkohol eller medisiner som kan påvirke din reaksjonsevne og/eller dømmekraft. Et øyeblikks uoppmerksomhet når elektrisk verktøy brukes kan føre til alvorlige personskade.
- **Bruk personlig verneutstyr.** Bruk alltid øyebeskyttelse. Verneutstyr som støvmaske, sklisliske vernesko, hjelm eller hørselsvern brukt i passende sammenhenger vil redusere risikoen for personskade.
- **Unngå utilsikket start. Sørg for at bryteren er i posisjon OFF før utstyret kobles til strømmettet og / eller batteripakken, plukkes opp eller bæres.** Å bære det elektriske verktøyet med fingeren på startknappen eller koble strøm til et elektrisk verktøy med bryteren i ON inviterer til ulykker.
- **Fjern justeringsnøkler og annet verktøy før du setter strøm på det elektriske verktøyet.** En fastnøkkel eller annet verktøy festet til en roterende del av et elektrisk verktøy når det startes kan føre til personskade.
- **Ikke len deg for langt. Sørg for godt fotfeste og god balanse til enhver tid.** Dette gir bedre kontroll over det elektriske verktøyet i en uventet situasjon.
- **Kle deg riktig. Ikke bruk løstsittende plagg og/eller løsthengende smykker. Hold hår, klær og hansker vekke fra bevegelige deler.** Løse plagg, smykker og langt hår kan fanges opp av bevegelige deler.
- **Hvis det finnes tilkoblingsmuligheter for oppsagnings- og oppsamlingsutstyr for støv, sørg for at dette blir tilkoblet og brukt på riktig måte.** Bruk av støvoppsamler kan redusere støvrelatert faresituasjoner.

BRUK OG BEHANDLING AV ELEKTRISK VERKTØY

- **Ikke press maskinen. Bruk korrekt elektrisk verktøy for jobben som skal gjøres.** Riktig elektrisk verktøy vil gjøre jobben bedre og tryggere når det brukes slik det var tiltenkt.
- **Ikke bruk verktøyet hvis bryteren ikke slår verktøyet av og på.** Ethvert elektrisk verktøy som ikke kan kontrolleres med bryteren er farlig og må repareres før det kan brukes.
- **Trekk støpslet ut av den elektriske kontakten og/eller batteripakken fra det elektriske verktøyet før du foretar endringer, skifter tilbehør eller lagrer det elektriske verktøyet.** Slike forebyggende sikkerhetsiltak reduserer risikoen for utilsikket start av det elektriske verktøyet.
- **Oppbevar elektrisk verktøy som ikke brukes utenfor barns rekkevidde og la ikke personer som**

ikke er kjent med det elektriske verktøyet eller dets instruksjoner bruke det. Elektrisk verktøy er farlig i hendene på uerfarne brukere.

- **Vedlikehold av elektrisk verktøy. Kontroller for feilinnretting og at bevegelige deler løper fritt, at det ikke finnes ødelagte deler og enhver annen tilstand som kan påvirke det elektriske verktøyet drift. Hvis skadet må det elektriske verktøyet repareres før bruk.** Mange ulykker skyldes dårlig vedlikeholdt elektrisk verktøy.
- **Hold skjæredeskaper skarpe og rene.** Korrekt vedlikeholdt skjæreverktøy med skarpe skjærekanten har mindre mulighet for å blokkere seg og er lettere å kontrollere.
- **Bruk det elektriske verktøyet, tilbehøret, verktøybits etc i henhold til disse instruksjonene, der du tar hensyn til arbeidsforholdene og det arbeidet som skal utføres.** Bruk av elektrisk verktøy på en måte det ikke var tiltenkt kan skape farlige situasjoner.

VEDLIKEHOLD

- **Sørg for at reparasjoner og vedlikehold av ditt elektriske verktøy utføres av kvalifiserte teknikere som kun bruker originale erstatningsdeler.** Dette vil sørge for at sikkerheten med det elektriske verktøyet ivaretas.

SPESIELLE SIKKERHETSADVARSLER

- Visse regioner har forskrifter som begrenser bruken av produktet til definerte operasjoner. Spør de lokale myndigheter for råd.
- Ikke tillat at barn eller personer som ikke er kjent med brukermanualen bruker produktet. Lokale forskrifter kan begrense en alder av operatøren.
- Kontroller før hver bruk at alle styreenheter og sikkerhetsanordninger fungerer som de skal. Ikke bruk dette produktet hvis "av" knappen ikke stanser motoren.
- Bruk full øye- og hørselsvern, sterke hansker og hodebeskyttelse når du bruker dette produktet; bruk en ansiktsmaske hvis arbeidene er støvete.
- Ikke bruk løstsittende klær, korte bukser og smykker uansett type.
- Sørg for at langt hår ikke når lenger ned en til skuldrene for å hindre at det kan fanges opp av roterende deler.
- Bruk av hørselsvern reduserer muligheten for å høre advarsler (rop eller alarmer). Brukeren må være ekstra oppmerksom med hensyn til hva som skjer på arbeidsområdet.
- Bruk av lignende utstyr i nærheten øker faren for både hørselskade og muligheten for at andre kommer inn i din arbeidssone.
- Vær oppmerksom på gjenstander som kan bli slengt ut, hold alle tilskuere, barn og kjæledyr minst 15 m unna arbeidsområde. Stopp produktet når noen kommer inn på området hvor produktet brukes.
- Ikke bruk i dårlig lys. Operatøren må ha klar sikt over arbeidsfeltet for å identifisere potensielle farer.
- Ha god fotfeste og balanse til enhver tid. Ikke len deg for langt. Å bøye seg for langt over ting kan føre til at





man mister balansen og øker faren for tilbakeslag.

- Ikke bruk utstyret når du er sliten, syk eller under påvirkning av alkohol, narkotika eller medisiner som kan påvirke reaksjonsevne og dømmekraft.
- Hold alle deler av kroppen vekke fra bevegelige deler.
- Sjekk maskinen før hver bruk. Sjekk at alle styringene fungerer som de skal. Sjekk for løse fester, kontroller at alle vern og håndtak er satt på riktig og festet godt. Erstatt alle skadede deler før fortsatt bruk.
- Du må ikke endre maskinen på noe måte eller bruke deler og tilbehør som ikke er anbefalt brukt av produsenten.
- Ikke la kjennskap (etablert gjennom hyppig bruk av verktøyet) føre til at du gjør uaktsomme feil. En uforsiktig handling kan føre til alvorlige personskader på en brøkdell av et sekund.
- Hold håndtak og andre holdeoverflater tørre, rene og fri for olje og smøring. Unngå at håndtak og andre holdeoverflater er glatte for det reduserer sikker håndtering og styring av verktøyet i uforutsette situasjoner.

ADVARSEL

Dersom produktet faller i bakken, får et sterkt slag eller starter å vibrere unormalt, stans produktet omgående og sjekk for skader eller finn ut hva som er årsaken for vibrasjonene. Enhver skade må repareres helt eller delen skiftes av et autorisert serviceverksted.

FOR MONTERING MED ELEKTRISK DREVET KRAFTKILDE

- Utstyret må få strøm fra en elektrisk kurs med jordfeilbryter som ikke overstiger 30 mA.
- Hvis du trenger å bruke en skjøteledning må du påse at kabelen egner seg for utendørs bruk og at kapasiteten tilfredsstiller produktets behov. Sjekk for skader før hver bruk. Rull alltid ut ledningen under bruk for sammenrullede ledninger kan bli overopphetet.
- Hvis strømkabelen blir skadet, må den skiftes ut før bruk.

HAGESAKS SIKKERHETSADVARSLER

- Du må aldri bruke grensagen når det er fare for torden og lyn. Lagre grensagen og strømkabelen på et trygt sted innendørs.
- Påse at alle verneanordninger og håndtak er påsatt riktig og i god stand.
- Ikke start å bruke produktet inntil du har et ryddet arbeidsområde, står trygt, og en planlagt fluktvei unna fallende grener eller kvister er klart.
- Pass deg for utslipp av smøredamp og sagstøv. Bruk maske eller helmaske ved behov.
- Hold grensagen alltid med begge hender når du bruker den. Bruk en hånd for å holde godt rundt fronthåndtaket. Bruk den andre hånden til å gripe det bakre håndtaket og bejlene produktet.
- Hold dette motorverktøyet kun i de isolerte håndtakene fordi sagens kjede kan ha kontakt med

en skjult ledningsføring. Kjeder som er i kontakt med strømførende ledninger kan gjøre metalldele på elektroverktøyet strømførende, noe som kan føre til at brukeren får elektrisk støt.

- Ikke modifierer produktet på noen måte eller bruk det til å drive tilleggsutstyr eller utstyr som ikke er anbefalt av produsenten for ditt produkt.
- Grensagen leveres med seler. Du må bruke det når du bruker grensagen. Den vil støtte deg når grensagen faller etter et gjennomført kutt. Det vil også hjelpe med å støtte vekten til maskinen under bruk og mens man flytter seg fra det ene beskæringsstedet til neste.
- Finn ut hvordan du skal bruke hurtigutløsermekanismen og øv deg på å bruke den før du tar i bruk maskinen. Riktig bruk kan hindre alvorlige personskader dersom en nødsituasjon skulle oppstå. Du må aldri bruke ekstra klær over selen eller på annen måte hindre hurtigutløsermekanismen.
- Før du starter kjedesagen, påse at sagen ikke er i kontakt med noe objekt.
- Feil spenning i kjede kan føre til at sagsverdet spretter av og fører til alvorlige personskader eller død. Sjekk før hver bruk og ofte, spesielt med nytt kjede.
- For å redusere faren for personskade fra bevegelige deler må du alltid stoppe produktet og koble fra strømforsyningen (hvis aktuelt). Sørg for at alle bevegelige deler har stanset helt før:
 - rengjøring eller fjernes en blokkering
 - etterlater produktet uten tilsyn
 - installasjon eller fjerning av påsatser
 - sjekk, vedlikehold og arbeid på maskinen
- Det kan oppstå tilbakeslag når tuppen på sverdet kommer borti en gjenstand eller når sagkjeden knipes eller låses fast i treverket under sagingen. Kontakt med tuppen kan i noen tilfeller føre til en plutselig reversreaksjon, slik at sagsverdet spretter bakover mot brukeren. Blokkering av sagkjedet langs toppen av sverdet vil kunne skyve sverdet hurtig tilbake mot brukeren. En av disse reaksjonene kan føre til at du mister kontroll over produktet, noe som igjen kan føre til alvorlige personskader. Ikke stol fullt og helt på maskinens innebygde sikkerhetsmekanismer. Som bruker av grensagen bør du alltid utføre flere forholdsregler for å unngå uhell og personskader. En kickback er resultatet av misbruk av verktøyet og/eller feil bruksprosedyrer eller forhold som kan unngås ved å ta riktige forholdsregler som følger:
 - Hvis du har en grunnleggende forståelse av hvordan tilbakeslag oppstår, kan du redusere eller eliminere overraskelsen. Brå overraskelser kan medføre ulykker.
 - Pass på at det ikke finnes hindringer der du sager. Ikke tillat at tuppen på styrestangen kommer i kontakt med en gren, kvister eller annen hindring mens du bruker produktet.
 - Hold verktøyet fast, med begge hendene på maskinen og med kroppen og armene slik at du klarer å motstå kickback. Kickback-kreftene kan kontrolleres av brukeren hvis man tar de riktige forholdsreglene. Ikke slipp taket på grensagen.

EN
FR
DE
ES
IT
NL
PT
DA
SV
FI
NO
RU
PL
CS
HU
RO
LV
LT
ET
HR
SL
SK
BG
UK





- Ikke len deg for langt. Det bidrar til å hindre utilsikket kontakt med tuppen og sikrer bedre kontroll over produktet i uventede situasjoner.
- Bruk kun reservedeler for skinnen og kjede i samsvar med produsentens spesifikasjoner. Feil reservedeler for skinnen og kjede kan føre til at kjede brister og/eller kickback.
- Kvessing av kjeden på en sikker måte er en avansert operasjon. Derfor anbefaler produsenten sterkt at et slitt og sløvt kjede skiftes ut med et nytt som kan kjøpes fra ditt autoriserte Ryobi servicesenter. Delenummeret står i tabellen over produktspesifikasjoner i denne manualen.
- Må ikke brukes på en stige eller ustabil støtte. Du må alltid stå med begge føttene på fast grunn når du sager; dette for å forhindre at du kan bli dradd ut av balanse.
- For å beskytte deg mot dødelig elektrisk støt, ikke bruk produktet nærmere enn 10 m fra strømstolper og ledninger.
- Fjern grener i seksjoner. Ikke bruk utstyret i farlige stillinger. Se opp for fallende grener og de som spretter etter å ha truffet bakken.
- Vær meget forsiktig når du sager ned småbusker og renninger, da tynne materialer kan hekte seg opp i sagkjeden og bli pisket mot deg eller dra deg ut av balanse.
- Når du sager av en gren som står i spenn, må du være oppmerksom på at den kan slå tilbake, slik at du ikke blir truffet når spenningen utløses.
- Hvis kutteevnen blir redusert over tid, sjekk om kjedetennene er skarpe og rene. Ved behov skiftes det opprinnelige kjedet (og sverdet) som anbefalt av produsenten.
- Hvis kjedet og sagen blir klemt eller sitter fast i en gren og det er for høyt å nå, be om hjelp fra profesjonelle trefellere hvordan du trygt skal fjerne kutteenheten.

ADVARSEL

Sjekk at alle akselkoblinger på skafte og verktøyet er festet godt før hver bruk og med jevne mellomrom.

PERSONLIG VERNEUTSTYR

Personlig verneutstyr av god kvalitet som profesjonelle bruker, vil hjelpe til å redusere faren for personskader hos brukeren. Følgende ting bør brukes når du bruker produktet:

Vernehjelm

- bør være iht. EN 397 og merket med CE

Hørselvern

- bør være iht EN 352-1 og merket med CE

Beskyttelse for øyne og ansikt

- bør være CE-merket og iht. EN 166 (for vernebriller) eller EN 1731 (for masker med gitter)

Hansker

- bør være iht EN 381-7 og merket med CE

Skotøy

- bør være iht. EN 20345 og merket med CE

DRIFT - BESKJÆRING

- Sjekk tilstanden til treet og grenene før du starter med arbeidet. Hvis du ser tegn til skader, råte eller forfall, ikke prøv å beskjære treet selv. Knekte eller råtnete grener er meget ustabile. Be om hjelp fra en profesjonell trefeller.
- Stå aldri under en gren som skal kuttes.
- Avkappede grener faller ikke alltid rett ned på bakken. De hekter seg lett fast og avledes av annet løvverk. Påse at du har tilgang til en sikkerhetssone som er minst den doble lengden til grenen som skal kuttes og ha den tilgjengelig under hele kutteprosessen. Hvis det ikke er mulig, be om hjelp fra en profesjonell trefeller.
- Sjekk at en fallende gren ikke er en fare for deg, tilskuere eller eiendom, deriblant luftgående ledninger.
- Bruk aldri verktøyet med skafte en vinkel større en 60° fra vannrett posisjon.
- Du må aldri bruke grensagen med kutteenheten nærmere enn 10m fra strømledninger.
- Ikke press maskinen, la kjede gjøre arbeidet i sitt eget tempo.
- Ikke prøv å kutte en gren for nær trestammen. Ha ca. 15 cm avstand fra kuttet til stammen.
- Støtt sagsverdet på grenen som skal beskjæres og dytt saken sakte framover slik at den rifledede støtfanger også har kontakt med grenen. Dette øker stabiliteten, hjelper ved kuttingen og gir rene kutt.
- Små grener som både har en tynn diameter og ikke er tunge kan kuttes med ett kutt ved å bruke nedre sagsverd.
- Er grenene av større diameter og tyngre slik at de ved kutting kan knekke eller deles i to, bør man først kutte nedenfra ved hjelp av toppen på sagsverdet. Gjør dette kuttet ca. en tredjedel gjennom grenens tykkelse. Deretter gjør du et nytt kutt ovenfra i grenen ved hjelp av nedre sagsverd slik at det går mot det første kuttet.
- Vurder å kutte større grener i håndterbare deler istedenfor hele på en gang.
- Du må aldri forsøke å restarte et tidligere kutt med kjede eller sverdet i det tidligere kuttet. Start alltid på et nytt kutt. Dette vil redusere risikoen for tilbakeslag og eventuelle personskader.

TRANSPORT OG LAGRING

FOR MONTERING MED BENSINDREVET KRAFTKILDE

- Slå av produktet og la det kjøles ned før lagring eller transport.
- Fjern alle fremmedelementer fra produktet.
- Når du lagrer enheten over en lengre periode (en måned eller lenger), sjekk at kjede er lett smurt for å hindre rust. Produsenten anbefaler bruk av Ryobi skafte- og kjedesmøring som du får hos din autoriserte Ryobi forhandler.
- Tildekk sagens stang med futterale før lagring og under transport.



- Tøm alt brennstoff fra tanken over i en beholder som er godkjent for bensin. Husk å sette på og drivstofflokket og stramme det godt til.
- Tøm eventuelt ut alt smøremiddel fra tanken i en beholder som er godkjent for smøremiddel. Husk å sette på smørehetten igjen.
- Kjør motoren til den stopper. Dette vil fjerne alt drivstoff som ikke lenger er egnet, og la avleiringer og harpiks bli igjen i drivstoffsystemet.
- Lagres på et kjølig, tørt og godt ventilert sted som er utilgjengelig for barn. Hold den borte fra korrosive materialer, så som ugressmidler og veisalt.
- Ikke oppbevar utendørs.
- Ved transport må produktet sikres mot å komme i bevegelse eller falle for å unngå skade på personer eller produktet.
- Bær eller transporter aldri produktet når det går.
- Pass på at du overholder både nasjonale og lokale regelverk for sikker lagring og håndtering av bensin.

KORTVARIG LAGRING

- Stans maskinen å la den kjøle ned før lagring eller transport.
- Fjern alle fremmedelementer fra produktet.
- Dekk bladet med bladsliren før du lagrer enheten eller ved transport.
- Lagres på et kjølig, tørt og godt ventilert sted som er utilgjengelig for barn.
- Hold den borte fra korrosive materialer, så som ugressmidler og veisalt.
- Ikke oppbevar utendørs.

FOR MONTERING MED ELEKTRISK DREVET KRAFTKILDE

- Stopp produktet, koble fra strømforsyningen og spol inn kabelen. La maskinen bli avkjølt.
- Fjern alle fremmedelementer fra produktet. Lagres på et kjølig, tørt og godt ventilert sted som er utilgjengelig for barn. Hold den borte fra korrosive materialer, så som ugressmidler og veisalt. Ikke oppbevar utendørs.
- Når du lagrer enheten over en lengre periode (en måned eller lenger), sjekk at kjede er lett smurt for å hindre rust. Produsenten anbefaler bruk av Ryobi skaft- og kjedesmøring som du får hos din autoriserte Ryobi forhandler.
- Tildekk sagens stang med futteralet før lagring og under transport.
- Ved transport må du sikre maskinen mot at den flytter seg eller kan falle ned for å hindre personskader eller skader på maskinen.

VEDLIKEHOLD

⚠ ADVARSEL

Bruk kun produsentens originale reservedeler, tilleggsutstyr og påsatser. Dersom dette ikke følges, kan det forårsake personskader, dårlig funksjon og kan annullere garantien din.

⚠ ADVARSEL

Service krever meget stor forsiktighet og kunnskap og bør utføres kun av kvalifisert teknisk personale. Vi anbefaler at man sender verktøyet tilbake til nærmeste autoriserte servicesenter for reparasjon. Når service utføres skal kun identiske reservedeler brukes.

⚠ ADVARSEL

Tenne på sagkjeden er veldig skarpe. For å hindre personskade, vær ekstremt forsiktig når du rengjør, setter på eller fjerner kjedefutteralet og bruk alltid vernehansker når du utfører vedlikehold på kjeden.

⚠ ADVARSEL

Feilaktig vedlikehold av sagkjeden øker muligheten for tilbakeslag. Hvis du unnlater å skifte eller å reparere en skadet kjede, kan det føre til alvorlige personskader.

- Slå av og/eller koble produktet fra strømforsyningen, og kontroller at alle bevegelige deler har stoppet helt før du gjennomfører vedlikehold eller rengjøringsarbeid.
- Du kan foreta justeringer og reparasjoner som er beskrevet i denne brukermanualen. For andre reparasjoner, ta kontakt med et autorisert serviceverksted.
- Følg anvisningene for smøring samt kontroll og justering av kjedespenningen.
- Etter hver bruk, rens produktets ytre med en myk tørt klut.
- Kontroller all mutter, bolter og skruer med jevne mellomrom at de er skrudd fast for å sikre at produktet er i driftssikker stand. Enhver del som er skadet må repareres eller skiftes ut ved et autorisert serviceverksted.

Vedlikeholdsplan

Daglig sjekk	
Stangens smøremiddel	Før hver gangs bruk:
Kjedestramming	Før hver bruk og regelmessig
Kjedeskarpheit	Før hver bruk, visuell kontroll
Skadede deler	Før hver gangs bruk:
Løse festemidler	Før hver gangs bruk:
Drivstoffblanding eller drivstoff og smøremiddel (bare for bensindrevet kraftkilde)	Før hver gangs bruk:
Clutchinnkobling (bare for bensindrevet kraftkilde) (ingen kjedebevegelse på tomgang)	Før hver gangs bruk:

Strømkabel for skade (bare for strømdrevet kraftkilde)	Før hver gangs bruk:
--	----------------------

GJENVÆRENDE RISIKO

Selv om utstyret brukes som beskrevet er det ikke mulig å unngå enhver gjenværende risiko. Følgende faresituasjoner kan oppstå ved bruk, og operatøren må legge spesielt vekt på å unngå følgende:

- Personskade på grunn av vibrasjon. Bruk alltid riktig verktøy til jobben, bruk håndtakene og begrenns arbeidstiden og eksponeringen.
- Eksponering for støy kan føre til hørselskader. Bruk hørselvern og begrenns eksponeringen.
- Kontakt med sagtennene i sagkjeden (fare for kuttskader).
- Uforutsette brå bevegelser eller tilbakeslag fra sverdet (fare for kuttskader).
- Deler som slenges ut av kjedesagen (kutte/ innskytingsfare).
- Biter av trevirke (trefliser, splinter).
- Innånding av sagstøv og partikler.
- Hudkontakt med smøring/olje.

FAREREDUKSJON

Det foreligger rapporter om at vibrasjoner fra håndholdt verktøy for enkelte personer kan bidra til en tilstand som kalles Raynauds Syndrome. Symptomene kan omfatte følelsesløshet og gjøre fingrene bleke, vanligvis synlig ved eksponering til lave temperaturer. Arvelige faktorer, eksponering mot lave temperaturer og fuktighet, diett, røyking og arbeidspraksis blir alle ansett for å kunne bidra til å utvikle disse symptomene. Brukeren kan iverksette tiltak for mulig å redusere virkningene av vibrasjonene:

- Hold kroppen din varm i kaldt vær. Bruk hansker og hold hender og vriste varme ved bruk av gressklipperen. Det er rapportert at kaldt vær er en viktig faktor som bidrar til Raynauds Syndrome.
- Etter hver arbeidsperiode bør det utføres øvelser for å øke blodsirkulasjonen.
- Ta ofte pauser fra arbeidet som utføres. Begrenns mengden av eksponering pr. dag.

Hvis du opplever noen av symptomene på denne tilstanden må du øyeblikkelig avbryte arbeidet og oppsøke en lege med disse symptomene.

⚠ ADVARSEL

Hvis man bruker verktøyet for lenge av gangen, kan det føre til eller forverre allerede eksisterende personskade. Når du bruker et verktøy over en lenger tidsperiode, husk å ta regelmessige pauser.

KJENN PRODUKTET DITT

Se side 175.

1. Kjede
2. Skinne

3. Sekskantmutteren
4. Tanndeksel
5. Futteral
6. Oljelokk
7. Kort stålør
8. Oppheng

SYMBOLER PÅ PRODUKTET



Sikkerhetsalarm



Les og forstå alle instruksjoner før du tar i bruk produktet, følg alle advarsler og sikkerhetsanvisninger.



Bruk beskyttelse for øyne, hørsel og ansikt.



Anvend glisikkert føttøy ved bruk av dette produktet.



Bruk kraftige, sklisikre hansker.



Ikke utsett for regn eller fuktige forhold.



Ha en avstand på minst 10 meter fra overliggende elektriske ledninger.



Vær oppmerksom på utkastede eller flygende gjenstander. Hold tilskuere, spesielt barn og dyr, på god avstand, det vil si minst 15 meter fra arbeidsområdet



Fjern alltid hylsteret før du bruker produktet.



Smøring for sverd og kjede



Bevegelsesretning på kjedet



Dette verktøyet overholder samtlige standarder i det EU-landet det er kjøpt i.



EurAsian Konformitetstegn



Avfall fra elektriske produkter skal ikke kastes sammen med husholdningsavfall. Vennligst resirkulervedeksisterende avfallsbehandlingssted. Undersøk hos dine lokale myndigheter eller forhandler for råd om resirkulering.



Ukrainsk merke for konformitet

Følgende symboler og betydninger forklarer risikonivået som er assosiert med dette produktet.

⚠ FARE

Indikerer en øyeblikkelig farlig situasjon, som, hvis ikke unngås, kan resultere i død eller alvorlig personskade.

⚠ ADVARSEL

Indikerer en potensiell farlig situasjon, som, hvis ikke unngås, kan resultere i død eller alvorlig personskade.

⚠ FORSIKTIGHETSREGEL

Indikerer en potensiell farlig situasjon, som, hvis ikke unngås, kan resultere i mindre eller moderat personskade.

FORSIKTIGHETSREGEL

Uten sikkerhetsvarselsymbol

Indikerer en situasjon som kan føre til skade på eiendom.

EN
FR
DE
ES
IT
NL
PT
DA
SV
FI
NO
RU
PL
CS
HU
RO
LV
LT
ET
HR
SL
SK
BG
UK



При производстве насадок-кусторезов наибольшее внимание уделяется безопасности, эксплуатационным характеристикам и надежности инструмента.

НАЗНАЧЕНИЕ

Данная насадок-кусторезов одобрена для использования со всеми силовыми головками Ryobi/ Homelite с приводом от бензинового двигателя объемом до 30 куб.см или с электрическим приводом RPH1200, RLT1238I, RBC1226I.

Она предназначена только для использования взрослыми, изучившими все инструкции и предостережения настоящего руководства и руководства соответствующей силовой головки и несущими ответственность за свои действия. Данное изделие предназначено только для работы вне помещений. Из соображений безопасности всегда необходимо эксплуатировать инструмент, управляя им двумя руками.

Изделие предназначено для срезания мелких сучков и ветвей, диаметр которых не превышает длину шины, и которые расположены высоко на дереве, в то время как оператор устойчиво стоит на земле. Конструкция устройства позволяет увеличить длину до 2,6 м. Не превышайте эту рабочую длину.

Не допускается использование при взбирании на дерево или в качестве обычной цепной пилы при непосредственном соприкосновении с обрезаемым или подрезаемым материалом на уровне земли.

⚠ ОСТОРОЖНО

При использовании устройства необходимо соблюдать правила техники безопасности. В целях собственной безопасности и безопасности наблюдающих лиц перед использованием устройства прочитайте приведенные в данном руководстве инструкции. Сохраните данные инструкции для последующего использования.

⚠ ОСТОРОЖНО

Устройство не подходит для использования с бензиновыми силовыми головками, оснащенными мотоциклетными ручками.

ОБЩИЕ ПРАВИЛА БЕЗОПАСНОСТИ

ДЛЯ УСТАНОВКИ НА СИЛОВУЮ ГОЛОВКУ С ПРИВОДОМ ОТ БЕНЗИНОВОГО ДВИГАТЕЛЯ

- Для обеспечения безопасной работы с данным изделием следует прочитать и запомнить все указания данного руководства. Соблюдайте все инструкции по технике безопасности. Несоблюдение этих инструкций может повлечь за собой тяжелые травмы.
- Никогда не запускайте и не используйте работающий двигатель в закрытом или плохо проветриваемом месте; вдыхание выхлопных газов может привести к летальному исходу.

- Не прикасайтесь к области рядом с глушителем и цилиндром инструмента, так как во время работы эти детали нагреваются.
- Перед выполнением настроек выключайте двигатель. Перед осмотром, регулировкой и т.д. дождитесь остывания устройства.
- Не курите при приготовлении топливной смеси или заправке топливного бака.
- Готовьте топливную смесь и храните ее в предназначенной для этого канистре.
- Смешивайте и переливайте топливо на воздухе, вдали от искр и огня. Вытирайте разлившееся горючее. Перед запуском двигателя переместитесь на 9 метров от места заправки.
- Остановите двигатель и дождитесь его полного остывания перед заправкой или хранением устройства.
- Подождите, пока двигатель не охладится, опустошите топливный бак и масляный бак (при наличии) и закрепите устройство перед транспортировкой.

⚠ ОСТОРОЖНО

Когда дроссельный регулятор отпущен, и двигатель работает на холостом ходу, режущая насадка или пильная цепь должны быть неподвижны. Если она продолжает двигаться, это может привести к тяжелой травме оператора. Не эксплуатируйте устройство. Обратитесь для ремонта в авторизованный сервисный центр.

ДЛЯ УСТАНОВКИ НА СИЛОВУЮ ГОЛОВКУ С ЭЛЕКТРИЧЕСКИМ ПРИВОДОМ

⚠ ОСТОРОЖНО

Прочтите все предупреждения и инструкции по технике безопасности. Несоблюдение приводимых ниже предупреждений и инструкций может привести к поражению электрическим током, возгоранию или тяжким телесным повреждениям.

Сохраните все предупреждения и инструкции по технике безопасности для последующего использования.

Термин "электроинструмент" в данном описании относится к инструментам с питанием от сети (проводные) и от аккумуляторных батарей (беспроводные).

БЕЗОПАСНОСТЬ НА РАБОЧЕМ МЕСТЕ

- Рабочая зона должна быть свободна и хорошо освещена. Загромождение или плохое освещение рабочей зоны может привести к несчастным случаям.
- Не используйте электроинструмент во взрывоопасной среде, например в присутствии легковоспламеняющихся жидкостей, газов или пыли. В электроинструментах происходит искрообразование, что может привести к



воспламенению пыли или газа.

- **Не допускайте присутствия детей и посторонних лиц при работе с инструментом.** Невнимательность может привести к утрате контроля.

ЭЛЕКТРОБЕЗОПАСНОСТЬ

- **Вилка кабеля питания инструмента должна соответствовать используемой розетке. Не подвергайте вилку кабеля каким-либо изменениям. Не используйте какие-либо переходники с электроинструментами с заземляющим проводом.** Использование оригинальных штепсельных вилок и соответствующих розеток предотвращает опасность поражения электрическим током.
- **Не допускайте контакта частей тела с поверхностями заземленных предметов, таких как трубы, радиаторы отопления, кухонные плиты, холодильники.** При соприкосновении частей тела человека с заземленными участками возрастает опасность поражения электрическим током.
- **Не допускайте попадания влаги на изделие и не используйте его во влажной атмосфере.** Попавшая внутрь инструмента вода повышает опасность поражения электрическим током.
- **Обращайтесь с кабелем питания надлежащим образом. Не используйте кабель для переноски, перемещения или отключения инструмента от сети питания. Оберегайте кабель от источников тепла, масляных и острых предметов и движущихся деталей.** Поврежденные или запутанные провода повышают опасность поражения электрическим током.
- **При работе с электроинструментом вне помещений пользуйтесь удлинительным кабелем, предназначенным для наружного применения.** Использование кабеля, предназначенного для наружного применения, снижает опасность поражения электрическим током.
- **Если нет возможности избежать работы в условиях повышенной влажности, подключайте инструмент через устройство защитного отключения.** При использовании устройства защитного отключения снижается опасность поражения электрическим током.

ЛИЧНАЯ БЕЗОПАСНОСТЬ

- **Соблюдайте осторожность, следите за своими действиями и пользуйтесь здравым смыслом при работе с электроинструментом. Не пользуйтесь инструментом в состоянии усталости или под воздействием наркотических средств, алкоголя или медицинских препаратов.** Малейшая невнимательность при работе с инструментом может привести к тяжкому телесному повреждению.
- **Используйте средства индивидуальной защиты. Всегда надевайте средства защиты**

зрения. Средства защиты, такие как пылезащитная маска, нескользящая защитная обувь, шлем-каска, средства защита органов слуха, используемые надлежащим образом, снижают опасность телесного повреждения.

- **Не допускайте случайного запуска. Перед подключением к источнику питания или установкой аккумуляторной батареи, подъемом или перемещением инструмента убедитесь, что переключатель находится в положении «выключено».** Во избежание несчастных случаев при перемещении инструмента не держите пальцы на переключателе инструмента и не подключайте его к источнику питания при включенном положении переключателя.
- **Перед включением инструмента уберите все регулировочные и гаечные ключи.** Гаечные или регулировочные ключи, оставленные на вращающихся частях инструмента, могут привести к телесному повреждению.
- **Не перенапрягать.** Старайтесь сохранять устойчивость и подыскивайте твердую опору. Это обеспечивает лучшую управляемость электроинструментом в непредвиденных ситуациях.
- **Одевайтесь соответствующим образом. Не надевайте свободную одежду и украшения. Не допускайте попадания волос, одежды и перчаток в движущиеся части.** Свободная одежда, украшения и длинные волосы могут попасть в движущиеся части.
- **Если в инструменте предусмотрено использование устройства удаления и сбора пыли, обеспечьте их надежное крепление и надлежащее использование.** Использование пылесборника снижает опасность, связанную с пылеобразованием.

ИСПОЛЬЗОВАНИЕ И ОБРАЩЕНИЕ С ИНСТРУМЕНТОМ

- **Не прикладывайте чрезмерных усилий при работе с данным инструментом. В каждом случае используйте надлежащий электроинструмент.** Правильно выбранный электроинструмент позволяет выполнить работу, для которой он предназначен, более качественно и более безопасно.
- **Не пользуйтесь инструментом, если выключатель не включается или не выключается.** Любой электроинструмент, не управляемый выключателем, представляет опасность и должен быть отремонтирован.
- **Перед выполнением каких-либо регулировок, заменой приспособлений или хранением инструмента отключите вилку кабеля источника питания и/или аккумуляторной батареи от электроинструмента.** Такие меры предосторожности помогут предотвратить опасность случайного пуска инструмента.
- **Храните неиспользуемые электроинструменты в месте, недоступном для детей, а также не допускайте к использованию данного**

инструмента лиц, не знакомых с его работой или не ознакомленных с данными данными инструкциями. Инструмент в руках неподготовленного лица представляет опасность.

- **Бережно обращайтесь с инструментом. Проверяйте инструмент на отсутствие перекосов или заклинивания движущихся частей, их неисправности или других причин, которые могут отразиться на работе инструмента. При повреждении инструмента перед его дальнейшим использованием его следует отремонтировать.** Многие несчастные случаи вызваны ненадлежащим обращением с инструментом.
- **Содержите режущее устройство в чистоте и заточенном виде.** При надлежащем техническом обслуживании режущего инструмента снижается вероятность застревания режущих частей и облегчается управляемость.
- **Используйте инструмент, принадлежности, насадки и т.п. в соответствии с данными указаниями, и принимая во внимание условия работы и выполняемую работу.** Использование данного электроинструмента не по назначению может создать опасную ситуацию.

ОБСЛУЖИВАНИЕ

- **Техническое обслуживание и ремонт инструмента должно выполняться только квалифицированным специалистом с использованием взаимозаменяемых запасных частей.** Это обеспечит нормальное техническое состояние устройства.

ДОПОЛНИТЕЛЬНЫЕ УКАЗАНИЯ ПО БЕЗОПАСНОСТИ

- В некоторых регионах существуют ограничения на использование некоторых операций с данным устройством. Проконсультируйтесь с местными органами власти.
- Не допускайте к работе с данным устройством детей и лиц, незнакомых с инструкциями по использованию изделия. Местные инструкции могут ограничить возраст оператора.
- Убедитесь перед каждым использованием, что все элементы управления и предохранительные устройства функционируют правильно. Не используйте устройство, если невозможно остановить двигатель выключателем.
- Используйте надежные приспособления для защиты глаз и органов слуха, прочные перчатки, а также средства защиты головы при работе с продуктом. Для защиты от пыли используйте защитную маску.
- Не допускается ношение слишком свободной одежды, коротких брюк, ювелирных изделий.
- Соберите длинные волосы выше плеч, чтобы предотвратить их попадание в движущиеся части.
- Использование средств защиты органов слуха снижает способность услышать предупреждения

(крики или сигналы). Работающий уделять повышенное внимание к происходящему в зоне работы.

- Эксплуатация аналогичных устройств вблизи рабочей зоны повышает риск повреждения слуха и опасность появления посторонних лиц в вашей рабочей зоне.
- Берегитесь отлетающих объектов, не допускайте прохожих, детей и домашних животных ближе чем на 15 м от рабочей зоны. Остановите устройство, если кто-то войдет в рабочую зону.
- Не работайте при недостаточном освещении. Оператор должен четко видеть рабочую зону в целях выявления потенциальных опасностей.
- Держать устойчивую опору и баланс. Не перенапрягать. Перенапряжение может вызвать потерю равновесия и увеличить опасность возникновения отскока.
- Не работайте с данным устройством в случае усталости, болезненного состояния или под воздействием алкоголя, наркотиков или медикаментов.
- Не допускайте попадания частей тела в движущиеся детали.
- Проверяйте устройство перед каждым использованием. Проверьте правильную работу всех элементов управления. Проверьте надежность креплений, убедитесь, что все защитные приспособления и ручки правильно и надежно закреплены. Перед использованием замените поврежденные детали.
- Запрещается каким-либо образом изменять конструкцию устройства или использования детали и принадлежности, не рекомендованные производителем.
- Не допускайте беспечности (из-за частого использования данного инструмента), чтобы не совершить непоправимую ошибку. Неосторожное действие может стать причиной тяжелых травм в течение доли секунды.
- Держите ручки и поверхности захватывания сухими, чистыми, не допускайте попадания на них смазочных веществ. Скользкие ручки и поверхности захватывания не позволяют безопасно управлять и контролировать инструмент в непредвиденных ситуациях.

⚠ ОСТОРОЖНО

Если устройство уронили, оно издает громкий стук или начинает чрезмерно вибрировать, немедленно остановите его и проверьте на наличие повреждений или выясните причину вибрации. Любые поврежденные детали должны быть надлежащим образом отремонтированы или заменены в авторизованном сервисном центре.

ДЛЯ УСТАНОВКИ НА СИЛОВОУ ГОЛОВКУ С ЭЛЕКТРИЧЕСКИМ ПРИВОДОМ

- Электропитание на устройство должно подаваться через устройство защитного отключения (RCD) с

силой тока размыкания не более 30 мА.

- Если необходимо использовать удлинительный шнур, убедитесь, что он подходит для использования вне помещений, и допустимый ток достаточен для питания изделия. Проверяйте это перед каждым использованием на предмет повреждений. Всегда разматывайте его во время эксплуатации устройства, потому что спиральные шнуры могут перегреваться.
- Если кабель питания поврежден, его необходимо заменить до начала работы с инструментом.

ПРЕДОСТЕРЕЖЕНИЯ ОТНОСИТЕЛЬНО БЕЗОПАСНОГО ПОЛЬЗОВАНИЯ СЕКАТОРОМ

- Никогда не используйте секатор, когда существует вероятность грозы или молнии. Храните секатор и шнуры питания в безопасном месте в помещении.
- Убедитесь в том, что все устройства защиты и ручки должным образом установлены и находятся в хорошем состоянии.
- Не начинайте использование инструмента, пока не расчищена рабочая зона, не обеспечена опора и не подготовлен путь отхода от падающих веток или сучьев.
- Остерегайтесь выбросов паров смазки и опилок. При необходимости надевайте маску или респиратор.
- При работе всегда держите секатор обеими руками. Одной рукой крепко возьмитесь за переднюю ручку. Другой рукой возьмитесь за ручку и управляйте инструментом.
- Держите электроинструмент только за изолированную поверхность рукоятки, так как пильная цепь может войти в контакт со скрытой электропроводкой. Касание провода, находящегося под напряжением, режущей цепью может вызвать протекание электрического тока через металлические части электроинструмента и привести к поражению оператора электрическим током.
- Запрещается каким-либо образом изменять конструкцию изделия или использовать насадки или устройства, не рекомендованные производителем вашего изделия.
- Ваш секатор поставляется с ремнем. Вы должны использовать это во время эксплуатации секатора. Это поможет вам управлять падением секатора после завершения резки. Это также поможет удерживать вес устройства во время использования и передвижения между позиций для резки.
- Найдите механизм быстрого освобождения и опробуйте его перед началом использования устройства. Его правильное использование может предотвратить серьезные травмы в случае возникновения чрезвычайной ситуации. Никогда не носите одежду поверх ремня и никаким иным образом не ограничивайте доступ к механизму быстрого освобождения.
- Перед запуском инструмента удостоверьтесь, что пильная цепь не прикасается к какому-либо предмету.

- Неправильно натянутая цепь может выскочить из пильной шины и нанести тяжкие телесные повреждения, вплоть до смертельного исхода. Проверяйте перед каждым использованием и делайте это регулярно, особенно с новой цепью.
- Чтобы снизить риск получения травмы от движущихся деталей, всегда останавливайте инструмент, отсоединяйте его от источника питания (при наличии) и убедитесь, что все движущиеся части остановились перед:
 - очистка или устранение засора
 - Оставление изделия без присмотра
 - установка и снятие насадок
 - проверка, техобслуживание и ремонт устройства
- Если носок шины натолкнется на препятствие или пильная цепь зажмется в дереве во время работы, бензопила может отскочить. Контакт с вершиной в некоторых случаях может вызвать внезапную отдачу, которая отбрасывает пильную шину вверх и назад в направлении оператора. Заклинивание цепной пилы в верхней части направляющей может привести к отскоку в направлении оператора. Любая из этих реакций может привести к потере управления устройством, что может привести к серьезным травмам. Не полагайтесь исключительно на средства безопасности, встроенные в инструмент. Как пользователю секатора, вам необходимо предпринять некоторые шаги, чтобы не допустить несчастного случая или травмы во время резки. Отскок является результатом неправильного использования инструмента и/или нарушений правил или условий его эксплуатации. Этого следует избегать, соблюдая указанные ниже меры предосторожности.
 - Чтобы сократить эффект неожиданности или избежать его, поймите причины отскока пилы. Неожиданности чреваты несчастными случаями.
 - Проверьте, чтобы в рабочей зоне не было препятствий. Не позволяйте носу пильной шины касаться ветки, забора или каких-либо других препятствий во время эксплуатации устройства.
 - Поддерживайте надежный захват, держите устройство обеими руками, распологайте тело и руки таким образом, чтобы противостоять усилию отскока. Оператор может справиться с усилием отскока, если предприняты надлежащие меры предосторожности. Не выпускайте секатор из рук.
 - Не перенапрягать. Это поможет избежать непреднамеренного касания устройства и позволит лучше управлять устройством в непредвиденных ситуациях.
 - Используйте запасные шины и цепи, только указанные производителем. Ненадлежащие запасные шины и цепи могут привести к обрыву цепи и/или отскоку.
 - Безопасная отточка цепи - задача, требующая навыка. Таким образом, производитель строго рекомендует производить замену изношенной и тупой цепи на новую, которую можно получить

в авторизованном сервисном центре Ryobi. Номер детали доступен в таблице спецификаций изделия в руководстве.

- Не эксплуатируйте на лестнице или неустойчивом основании. Во время работы крепко стойте на ногах на твердой поверхности. Это придаст устойчивости при работе.
- Во избежание поражения электрическим током не работайте в пределах 10 м от воздушных линий электропередач.
- Уберите ветки в рабочей зоне. Не работайте в опасных условиях. Падающие ветки или отскок от поверхности при падении представляют опасность.
- Будьте крайне осторожны при отрезании мелких сучков и веток: они могут застрять в пильной цепи и вылететь в направлении рабочего.
- При отпиливании натянутых веток будьте готовы быстро уклониться, чтобы не попасть под удар, когда волокна будут перепилены.
- Если производительность резки ухудшается с течением времени, проверьте остроту и чистоту зубьев цепи. При необходимости замените оригинальную цепь (и шину) в соответствии с рекомендациями изготовителя.
- Если цепь и шина застревают или зацепляются в ветвях на слишком большой высоте, обратитесь за советом к профессиональному специалисту по обрезке деревьев относительно безопасного извлечения режущего средства.

⚠ ОСТОРОЖНО

Проверяйте, что все муфты валов на удлинительной штанге и инструменте надежно закреплены перед каждым использованием и с определенной периодичностью.

ИНДИВИДУАЛЬНЫЕ СРЕДСТВА ЗАЩИТЫ

Высококачественные индивидуальные средства защиты, используемые профессионалами, снижают опасность получения оператором телесных повреждений. При эксплуатации устройства должны использоваться следующие средства:

Каска

- должна соответствовать EN 397 и иметь маркировку CE

Устройства защиты слуха

- должна соответствовать EN 352-1 и иметь маркировку CE

Средства защиты органов зрения и слуха

- должны иметь маркировку CE и соответствовать EN 166 (для бесосколочных стекол) или 1731 EN (для сетчатых козырьков)

Перчатки

- должна соответствовать EN 381-7 и иметь маркировку CE

Специальная обувь

- должна соответствовать EN 20345 и иметь маркировку CE

ЭКСПЛУАТАЦИЯ – ОБРЕЗКА

- Изучить состояние дерева и веток перед началом работ. Если нет признаков повреждения, гнили или ветхости, не пытайтесь обрезать самостоятельно. Поврежденные или гнилые ветки крайне непрочные. Обращайтесь к услугам профессионального специалиста по обрезке деревьев.
- Никогда не стойте под срезаемой веткой.
- Срезанные ветки не всегда аккуратно падают на землю. Они легко захватываются и отражаются другими листьями. Убедитесь, что зона безопасности не менее чем в два раза превышает длину срезаемой ветки, и соблюдайте ее во время обрезки. Если это невозможно, обращайтесь к услугам профессионального специалиста по обрезке деревьев.
- Убедитесь, что падающая ветка не опасна для вас, посторонних лиц или имущества, включая вспомогательные кабели.
- Никогда не используйте инструмент, держа штангу под углом более 60° от горизонтали.
- Никогда не используйте секатор с режущими приспособлениями ближе чем в 10 м от линий электропередач.
- Не прикладывайте усилие к изделию, дайте цепи свободно работать на своей скорости.
- Не пытайтесь срезать ветки рядом со стволом дерева. Отрезайте на расстоянии около 15 см от ствола.
- Прикоснитесь пильной шиной к отсекаемой ветке и аккуратно толкайте пилу вперед, так чтобы ребристый бампер также касался ветки. Это будет способствовать стабильности, облегчит резку и обеспечит более чистые срезы.
- Мелкие ветки небольшого диаметра и веса можно отрезать за один рез нижней частью пильной шины.
- В случае с ветвями большего диаметра и веса, когда ветка может сломаться или разделиться во время резки, следует сначала подрезать ветку снизу, используя верхнюю часть пильной шины. Выполняйте этот рез примерно на треть толщины ветки. Затем сделайте второй рез над веткой помощью нижней частью пильной шины, чтобы соединиться с первым резом.
- Старайтесь срезать крупные ветки по частям, а не целиком.
- Никогда не пытайтесь продолжить резку, помещая цепь и шину в ранее сделанный рез. Всегда начинайте новый рез. Это позволит снизить риск отскока и вероятность получения травмы.

ТРАНСПОРТИРОВКА И ХРАНЕНИЕ

ДЛЯ УСТАНОВКИ НА СИЛОВУЮ ГОЛОВКУ С ПРИВОДОМ ОТ БЕНЗИНОВОГО ДВИГАТЕЛЯ

- Остановите изделие, дайте ему остыть перед постановкой на хранение или транспортировкой.
- Очистите устройство от всех посторонних материалов.
- При хранении устройства в течение длительного периода времени (месяц или дольше) слегка смажьте цепь, чтобы предотвратить ржавчину. Производитель рекомендует использовать смазку для шины и цепи Ryobi, которая доступна в вашем авторизованном сервисном центре Ryobi.
- Перед хранением или транспортировкой устройства наденьте на пильную шину ножны.
- Слейте все топливо из бака в канистру для бензина. Не забывайте тщательно закрывать крышку топливного бака.
- Если необходимо, откачивайте масло из бака в резервуар, предназначенный для масла. Не забудьте закрыть крышку масляного бака.
- Дайте мотору поработать, пока он сам не остановится. Это позволит избавиться от старого топлива, представляющего опасность загрязнения топливной системы нагаром и смолами.
- Храните его в прохладном, сухом, хорошо проветриваемом и недоступном для детей месте. Не держите бензопилу рядом с коррозионными веществами, такими как садовые химикаты или размораживающая соль.
- Не храните на открытом воздухе.
- Для транспортировки закрепите изделие так, чтобы оно не могло перемещаться или упасть во избежание травмирования персонала или повреждения изделия.
- Ни в коем случае не перемещайте устройство при работающем двигателе.
- Соблюдайте государственные и местные нормы хранения топлива.

КРАТКОСРОЧНОЕ ХРАНЕНИЕ

- Остановите устройство и дайте ему остыть перед постановкой на хранение или транспортировкой.
- Очистите устройство от всех посторонних материалов.
- Надевайте защитное устройство на режущее полотно перед помещением устройства на хранение или при транспортировке.
- Храните его в прохладном, сухом, хорошо проветриваемом и недоступном для детей месте.
- Не держите бензопилу рядом с коррозионными веществами, такими как садовые химикаты или размораживающая соль.
- Не храните на открытом воздухе.

ДЛЯ УСТАНОВКИ НА СИЛОВУЮ ГОЛОВКУ С ЭЛЕКТРИЧЕСКИМ ПРИВОДОМ

- Остановите инструмент, отключите его от сети и сверните кабель. Дайте двигателю остыть.
- Очистите устройство от всех посторонних материалов. Храните его в прохладном, сухом, хорошо проветриваемом и недоступном для детей месте. Не держите бензопилу рядом с коррозионными веществами, такими как садовые химикаты или размораживающая соль. Не храните на открытом воздухе.
- При хранении устройства в течение длительного периода времени (месяц или дольше) слегка смажьте цепь, чтобы предотвратить ржавчину. Производитель рекомендует использовать смазку для шины и цепи Ryobi, которая доступна в вашем авторизованном сервисном центре Ryobi.
- Перед хранением или транспортировкой устройства наденьте на пильную шину ножны.
- Перед транспортировкой закрепите устройство, чтобы не допустить его перемещения или падения в целях обеспечения безопасности персонала или устройства.

ТЕХНИЧЕСКОЕ ОБСЛУЖИВАНИЕ

⚠ ОСТОРОЖНО

Используйте только оригинальные запчасти, аксессуары и насадки от производителя. Невыполнение этого требования может привести к травме, к снижению производительности и к аннулированию гарантии.

⚠ ОСТОРОЖНО

Обслуживание требует чрезвычайной заботы и знания и должно быть выполнено только квалифицированным техником обслуживания. Для обслуживания мы предлагаем, чтобы вы возвратили изделие вашему самому близкому уполномоченному центру обслуживания для ремонта. При обслуживании использовать только идентичные сменные части.

⚠ ОСТОРОЖНО

Цепь очень острая. Во избежание травм проявляйте крайнюю осторожность при очистке, смазке и установке или снятии ножен для цепи, а также всегда носите защитные перчатки при техническом обслуживании цепи.

⚠ ОСТОРОЖНО

Неадекватное обращение с цепью повышает опасность отскока инструмента. Во избежание тяжелых травм заменяйте или ремонтируйте поврежденную пильную цепь.

- Перед началом работ по техническому

обслуживанию или чистке выключите и/или отключите инструмент от сети и убедитесь, что все движущие части полностью остановились.

- Вы можете также выполнить другие виды регулировки и ремонтные работы, описанные в данном руководстве. По вопросу ремонта обращайтесь в авторизованный сервисный центр.
- Соблюдайте инструкции по смазке, проверке натяжения цепи и регулировке.
- После каждого использования протирайте корпус и ручки изделия мягкой сухой тканью.
- Проверить все болты, задвижки, и винты, через короткие интервалы, на надлежащую плотность, чтобы убедиться, что изделие находится в безопасном, рабочем состоянии. В случае повреждения какой-либо детали необходимо обратиться в авторизованный сервисный центр для выполнения надлежащего ремонта или замены.

Список Обслуживания

Ежедневная проверка	
Смазка штанги	Перед каждым использованием
Напряженность Цепи	Перед каждым использованием и регулярно
Острота Цепи	Перед использованием, визуальная проверка
На поврежденные части	Перед каждым использованием
На свободные застёжки	Перед каждым использованием
Топливная смесь или топливо и смазка (только для силовых головок с приводом от бензинового двигателя)	Перед каждым использованием
Включение сцепления (силовая головка только с приводом от бензинового двигателя) (цепь не должна двигаться при работе на холостом ходу)	Перед каждым использованием
Силовой кабель (только для силовых головок с электроприводом)	Перед каждым использованием

БУДЬТЕ ВСЕГДА ОСТОРОЖНЫ

Даже когда изделие используют согласно инструкциям, невозможно полностью устранить факторы риска. При эксплуатации могут возникнуть следующие ситуации, которым пользователь должен уделять особое

внимание, чтобы избежать проблем:

- Травмы, вызываемые вибрацией. Применяйте инструмент только по своему назначению, используйте надлежащие ручки и соблюдайте рабочий режим.
- Воздействие шума может привести к повреждению слуха. Носите устройства защиты слуха и ограничивайте продолжительность шумового воздействия.
- Контакт с открытыми зубьями пильной цепи (опасность получения порезов).
- Внезапное резкое движение или отскок пильной шины (опасность порезов).
- Части, выброшенные из пильной цепи (опасность порезов и проникающих травм).
- Отбрасываемые части обрабатываемой древесины (древесная стружка, щепа и т.п.).
- Вдыхание пыли и мелких частичек.
- Попадание смазки/масла на кожу.

СНИЖЕНИЕ РИСКА

Считается, что вибрация ручного инструмента может привести к проявлению у отдельных лиц так называемой болезни Рейно (Raynaud's Syndrome). К симптомам могут относиться покалывание, онемение и побеление пальцев (как при переохлаждении). Считают, что наследственные факторы, охлаждение и влажность, диета, курение и практический опыт способствуют развитию этих симптомов. Ниже приводятся меры, которые может принять оператор для снижения воздействия вибрации:

- Одевайтесь теплее в холодную погоду. При работе с устройством пользуйтесь перчатками, чтобы руки и запястья были в тепле. Считается, что холодная погода является основным фактором, способствующим возникновению болезни Рейно (Raynaud's Syndrome).
- После каждого этапа работы выполните упражнения для усиления кровообращения.
- Чаще делайте перерывы в работе. Сократите длительность ежедневного пребывания на открытом воздухе.

При появлении каких-либо из указанных симптомов сразу же прекратите работу и обратитесь по их поводу к врачу.

⚠ ОСТОРОЖНО

Слишком продолжительное использование инструмента может привести к травме. При использовании инструмента в течение длительного времени делайте регулярные перерывы.

ИЗУЧИТЕ УСТРОЙСТВО

См. стр. 175.

1. Пильная цепь
2. Шина
3. Шестигранную гайку

4. Крышка звездочки
5. Ножны
6. Крышка маслосазливной горловины
7. Маленькая стальная трубка
8. Ушко приспособления

УСЛОВНЫЕ ОБОЗНАЧЕНИЯ НА ПРОДУКТЕ



Внимание



Внимательно прочитайте все инструкции перед началом работы с продуктом, соблюдайте все предупреждения и инструкции по безопасности.



Носите устройства защиты зрения и слуха, а также защитную каску.



При работе с данным изделием надевайте нескользящую защитную обувь.



Надевайте нескользящие перчатки для работы в тяжелых условиях.



Не подвергайте инструмент воздействию дождя и не используйте в условиях повышенной влажности.



Опасность поражения электрическим током; Не подходите к воздушным линиям электропередач ближе чем на 10 м



Помните об опасности, которую представляют собой отбрасываемые устройством или вылетающие из-под него предметы. Не допускайте приближения посторонних лиц, особенно детей и домашних животных к рабочей зоне ближе чем на 15 м



Перед использованием изделия всегда убирайте футляр



Смазка пыльной шины и цепи



Направление перемещения цепи



Настоящий инструмент отвечает всем официальным стандартам страны ЕС, в которой он был приобретен.



Знак Евразийского Соответствия



Отработанная электротехническая продукция должна уничтожаться вместе с бытовыми отходами. Утилизируйте, если имеется специальное техническое оборудование. По вопросам утилизации проконсультируйтесь с местным органом власти или предприятием розничной торговли.



Украинский знак стандартизации

Следующие сигнальные слова и значения предназначены, чтобы объяснить уровни риска, связанного с этим изделием.

⚠ ОПАСНО

Указывает неизбежно опасную ситуацию, которая, если не избежать, кончится смертельным или серьезным ущербом.

⚠ ОСТОРОЖНО

Указывает потенциально опасную ситуацию, которая, если не избежать, может кончиться смертельным или серьезным ущербом.

⚠ ПРЕДОСТЕРЕЖЕНИЕ

Указывает потенциально опасную ситуацию, которая, если не избежать, может кончиться малым или уменьшенным ущербом.

ПРЕДОСТЕРЕЖЕНИЕ

Употребляется без предупреждающего знака. Указывает на ситуацию, которая может привести к повреждению имущества.

Bezpieczeństwo, efektywność i niezawodność były czynnikami o najwyższym priorytecie dla konstruktorów nabytej przez Państwa przycinarki.

PRZEZNACZENIE

Nabytej przez Państwa przycinarki została zatwierdzona do stosowania ze wszystkimi silnikami benzynowymi Ryobi/Homelite o pojemności do 30 centymetrów sześciennych lub z silnikiem elektrycznym RPM1200, RLT1238I, or RBC1226I.

Opisywana dmuchawa-przystawka przeznaczona jest do stosowania wyłącznie przez osoby dorosłe, które zapoznaly się z instrukcjami i ostrzeżeniami zawartymi w niniejszym dokumencie oraz w instrukcji obsługi właściwego silnika i zrozumiały je, a także mogą być uważane za odpowiedzialne za swoje postępowanie. Urządzenie jest przeznaczone wyłącznie do użytku na zewnątrz pomieszczeń. Ze względów bezpieczeństwa produkt należy obsługiwać dwiema rękami.

Produkt jest przeznaczony do cięcia małych konarów i gałęzi o średnicy nieprzekraczającej długości prowadnicy, które znajdują się wysoko na drzewie, a operator może zachować stabilną pozycję na ziemi. Produkt może być wydłużony maksymalnie na 2.6 metra. Nie przekraczać tej długości roboczej.

Nie jest zalecany do użytku przez operatora wspiętego na drzewo ani jako konwencjonalna piła łańcuchowa do odcinania konarów i okrzyszowania drzew na poziomie gruntu.

⚠ OSTRZEŻENIE

Podczas używania tego urządzenia należy przestrzegać odpowiednich zasad bezpieczeństwa. Aby zapewnić bezpieczeństwo sobie i osobom postronnym, przed przystąpieniem do użytkowania urządzenia należy zapoznać się z niniejszą instrukcją. Niniejszą instrukcję należy przechowywać w bezpiecznym miejscu do późniejszego użytku.

⚠ OSTRZEŻENIE

Produkt nie jest przeznaczony do stosowania z głowicami benzynowymi wyposażonymi w uchwyty rowerowe.

OGÓLNE OSTRZEŻENIA DOTYCZĄCE BEZPIECZEŃSTWA

DOTYCZY MONTAŻU Z SILNIKIEM BENZYNOWYM

- Aby zapewnić bezpieczną obsługę produktu, należy przeczytać i zrozumieć wszystkie instrukcje. Należy przestrzegać wszystkich zaleceń dotyczących bezpieczeństwa. Nie zastosowanie się do któregoś z wymogów bezpieczeństwa może spowodować ciężkie obrażenia ciała.
- Nie wolno uruchamiać silnika w zamkniętych ani słabo wentylowanych pomieszczeniach; wdychanie spalin zagraża życiu.

- Nie dotykać powierzchni wokół tłumika lub cylindra produktu, ponieważ części te bardzo się nagrzewają w trakcie pracy.
- Przed przystąpieniem do regulacji narzędzia należy zawsze zatrzymać silnik. Odczekaj, aż maszyna ostygnie przed przystąpieniem do dokonywania kontroli, regulacji itp.
- Nie palić tytoniu podczas mieszania paliwa i tankowania.
- Paliwo należy mieszać i przechowywać w pojemniku do tego przeznaczonym.
- Paliwo mieszać tylko na wolnym powietrzu, z dala od wszelkich iskier czy płomienia. Wytrzeć natychmiast rozchlapane paliwo. Przed uruchomieniem silnika należy oddalić się od miejsca uzupełniania paliwa na 9 m (30 stóp).
- Przed schowaniem urządzenia lub tankowaniem wyłączyć silnik i odczekać, aż ostygnie.
- Poczekać, aż silnik ostygnie. Opróżnić zbiornik paliwa i oleju (jeśli występuje), a także zabezpieczyć urządzenie przed przemieszczaniem się przed rozpoczęciem transportu w pojeździe.

⚠ OSTRZEŻENIE

Gdy przycisk przepustnicy jest zwolniony i silnik pracuje na wolnych obrotach, osprzęt tnący lub łańcuch nie mogą się poruszać. Jeśli elementy te nadal poruszają się, występuje ryzyko poważnych obrażeń ciała operatora. Nie używać maszyny. Zwrócić maszynę do autoryzowanego punktu serwisowego w celu przeprowadzenia fachowej regulacji.

DOTYCZY MONTAŻU Z SILNIKIEM ELEKTRYCZNYM

⚠ OSTRZEŻENIE

Zapoznaj się ze wszystkimi zasadami bezpieczeństwa i instrukcjami. Niezastosowanie się do ostrzeżeń i instrukcji może spowodować porażenie prądem, pożar oraz/lub poważne obrażenia ciała.

Zachowajcie te ostrzeżenia i zalecenia, aby móc się do nich odnieść w późniejszym czasie.

Termin "elektronarzędzia" stosowany w przedstawionych tu zasadach bezpieczeństwa odnosi się zarówno do urządzeń zasilanych z sieci energetycznej (przewodowych) jak i urządzeń zasilanych z akumulatora (beprzewodowych).

OTOCZENIE ROBOCZE

- **Miejsce pracy musi być utrzymywane w czystości i dobrze oświetlone.** Obszary zaśmieczone lub niewystarczająco oświetlone mogą być przyczyną wypadku.
- **Nie wolno uruchamiać urządzeń elektrycznych w miejscach, gdzie grozi to wybuchem, na przykład w pobliżu łatwopalnych cieczy, gazów lub pyłów.** Urządzenia elektryczne mogą wytwarzać iskry, które mogą być przyczyną zapłonu pyłów lub oparów.
- **Podczas używania narzędzi elektrycznych należy utrzymywać osoby postronne i dzieci z dala od**

miejsca pracy. Odwrócenie uwagi operatora może spowodować utratę kontroli nad urządzeniem.

ZASADY BEZPIECZEŃSTWA DOTYCZĄCE OBSŁUGI URZĄDZEŃ ELEKTRYCZNYCH

- **Wtyczki zasilania elektronarzędzi muszą pasować do gniazd sieciowych. Nie wolno modyfikować wtyczek w żaden sposób. Nie wolno używać żadnych przejściówek do podłączania urządzeń posiadających przewód zasilania z uziemieniem.** Stosowanie oryginalnych wtyczek i dopasowanych gniazd sieciowych zmniejsza ryzyko porażenia prądem.
- **Unikać kontaktu ciała z powierzchniami uziemionymi lub podłączonymi do bieguna zerowego, np. rury, instalacje grzewcze i chłodnicze.** Kontakt ciała z masą lub uziemieniem zwiększa ryzyko porażenia prądem.
- **Nie narażać tego produktu na działanie deszczu lub wody.** Przedostanie się wody do wnętrza elektronarzędzia zwiększa ryzyko porażenia prądem.
- **Nie uszkodzić przewodu zasilania. Nie wolno używać przewodu zasilania do przenoszenia, ciągnięcia urządzenia lub jego odłączenia z gniazda sieciowego. Przewody elektryczne trzymać z dala od źródeł ciepła, oleju, ostrych krawędzi lub ruchomych elementów.** Uszkodzony lub zaplątany przewód elektryczny zwiększa ryzyko porażenia prądem.
- **W przypadku używania urządzenia na zewnątrz, ewentualne przedłużacze muszą być do tego przystosowane.** Zastosowanie przedłużacza przystosowanego do warunków zewnętrznych zmniejsza ryzyko porażenia prądem.
- **Jeśli nie można uniknąć użytkowania urządzenia elektrycznego w warunkach wilgotnych, należy je zasilać z obwodu zabezpieczonego wyłącznikiem różnicowo-prądowym (RCD).** Zastosowanie takiego wyłącznika pozwala zmniejszyć ryzyko porażenia prądem elektrycznym.

BEZPIECZEŃSTWO OSOBISTE

- **Zachowywać skupienie, uważnie obserwować wykonywane czynności, stosować zasady zdrowego rozsądku podczas obsługi urządzenia. Nie używać urządzeń elektrycznych w stanie zmęczenia lub będąc pod wpływem leków, alkoholu lub środków odurzających.** Moment nieuwagi podczas obsługi elektronarzędzia może być przyczyną poważnego zranienia.
- **Stosować środki ochrony osobistej. Zawsze nosić okulary ochronne.** Stosowanie takich środków ochrony osobistej jak maska przeciwpyłowa, obuwie antypoślizgowe, twarde nakrycie głowy, nauszniki pozwoli zmniejszyć ryzyko zranienia.
- **Unikać możliwości przypadkowego uruchomienia urządzenia. Przed podłączeniem do zasilania/założeniem akumulatora lub w celu jego podniesienia lub przeniesienia należy upewnić się, że wyłącznik zasilania znajduje się w położeniu wyłączonym.** Przenoszenie elektronarzędzia z palcem na wyłączniku lub podłączenie zasilania do urządzenia,

w którym wyłącznik znajduje się w położeniu włączonym grozi wypadkiem.

- **Usunąć wszelkie narzędzia i klucze przed włączeniem zasilania.** Uruchomienie elektronarzędzia z kluczem założonym na ruchomym elemencie grozi poważnym wypadkiem.
- **Nie sięgać zbyt daleko. Należy cały czas pewnie opierać stopy i utrzymywać równowagę.** Zapewni to lepsze panowanie nad urządzeniem w nieprzewidzianych sytuacjach.
- **Należy zakładać odpowiednią odzież ochronną. Nie zakładać luźnego ubioru ani biżuterii. Trzymać włosy, ubranie i okulary z dala od ruchomych elementów.** Mogą być one wciągnięte przez ruchome części urządzenia.
- **Jeśli używane urządzenie posiada przyłącze do wyciągu i gromadzenia kurzu, należy go używać w odpowiedni sposób.** Stosowanie metod usuwania pyłu zmniejsza zagrożenie związane z jego gromadzeniem.

UŻYTKOWANIE I KONSERWACJA URZĄDZEŃ ELEKTRYCZNYCH

- **Nie przeciążać urządzenia. Używać odpowiedniego narzędzia do odpowiedniego rodzaju prac.** Najlepsze efekty pracy, przy zachowaniu pełnego bezpieczeństwa, zapewni używanie urządzeń w zakresie parametrów znamionowych i stosownie do ich przeznaczenia.
- **Nie używać tego urządzenia, jeśli wyłącznik nie pracuje poprawnie.** Używanie elektronarzędzia bez sprawnego wyłącznika jest zbyt niebezpieczne - należy oddać je do naprawy.
- **Przed przystąpieniem do regulacji, wymiany akcesoriów lub przed odłożeniem elektronarzędzia w miejsce przechowywania należy wyjąć wtyczkę z gniazda sieciowego lub wyjąć akumulator.** Tego rodzaju środki zapobiegawcze pozwolą zmniejszyć ryzyko przypadkowego uruchomienia elektronarzędzia.
- **Nieużywane urządzenia należy przechowywać poza zasięgiem dzieci. Nie wolno zezwalać osobom nie obeznanym z obsługą urządzeń elektrycznych na ich używanie.** Urządzenia elektryczne mogą być niebezpieczne w rękach osób nieposiadających odpowiedniego przygotowania.
- **Urządzenia elektryczne wymagają konserwacji. Należy sprawdzać wyrównanie elementów ruchomych, sprawdzać, czy nie ma jakichkolwiek uszkodzeń, uwzględnić wszelkie aspekty mające wpływ na bezpieczną pracę urządzenia. W przypadku stwierdzenia uszkodzeń, oddać urządzenie do naprawy.** Wiele wypadków spowodowane jest używaniem urządzeń w niewłaściwym stanie technicznym.
- **Elementy tnące muszą być ostre i czyste.** Odpowiednio ostre krawędzie tnące ułatwią prowadzenie urządzenia i są bardziej odporne na uszkodzenie.
- **Wszelkie urządzenia, przystawki, akcesoria itp. należy używać zgodnie z dołączonymi instrukcjami obsługi, z uwzględnieniem warunków i charakteru wykonywanej pracy.** Używanie narzędzi w sposób

niezgodny z ich przeznaczeniem grozi poważnym niebezpieczeństwem.

KONSERWACJA

- **Urządzenie elektryczne powinno być naprawiane przez wykwalifikowany personel, z zastosowaniem identycznych części zamiennych.** Dzięki temu zapewnione będzie bezpieczeństwo użytkownika urządzenia.

DODATKOWE OSTRZEŻENIA DOTYCZĄCE BEZPIECZEŃSTWA

- W niektórych regionach obowiązują przepisy ograniczające używanie produktu w przypadku określonych działań. Informacja na ten temat można uzyskać w lokalnych urzędach.
- Nie wolno zezwalać ani dzieciom, ani osobom dorosłym nie zaznajomionym z tym podręcznikiem na obsługę tego produktu. Przepisy lokalne mogą ograniczać dopuszczalny wiek operatora.
- Przed użyciem należy sprawdzić, czy wszystkie przyrządy sterowania oraz zabezpieczenia działają prawidłowo. Nie należy używać produktu, jeśli wyłącznik („off”) nie umożliwi wyłączenia silnika.
- Podczas obsługi produktu należy nosić pełne zabezpieczenie oczu i uszu, grube, wytrzymałe rękawice, jak również zabezpieczenie głowy. W przypadku pracy w zapyłonym miejscu należy nosić maskę oddechową.
- Nie należy nosić luźnego ubrania, krótkich spodenek ani żadnej biżuterii.
- Długie włosy należy związać, aby znajdowały się powyżej ramion i aby nie zostały pochwycone przez maszynę.
- Stosowanie środków ochrony słuchu zmniejsza słyszalność ostrzeżeń (alarmów, okrzyków). Należy zwracać większą uwagę na to, co dzieje się w miejscu pracy.
- Praca podobnych narzędzi w pobliżu zwiększa ryzyko urazu słuchu oraz wtargnięcia innej osoby na miejsce pracy.
- Należy zwrócić uwagę na wyrzucane objekty; wszyscy przechodnie, dzieci oraz zwierzęta muszą znajdować się w odległości 15 m od obszaru pracy. Jeśli na obszarze znajduje się inna osoba, należy zatrzymać produkt.
- Nie pracować w słabym oświetleniu. Operator musi dobrze widzieć miejsce pracy, aby móc zidentyfikować potencjalne zagrożenia.
- Stać stabilnie, zachowując równowagę. Nie sięgać zbyt daleko. Nadmierne wychylenie się może spowodować utratę równowagi i zwiększa ryzyko odskoku.
- Nie obsługiwać tego urządzenia w stanie zmęczenia, choroby, będąc pod wpływem alkoholu, środków odurzających lub leków.
- Wszystkie kończyny należy trzymać z dala od ruchomych elementów urządzenia.
- Przed każdym użyciem należy sprawdzić maszynę. Należy sprawdzić, czy wszystkie przyrządy urządzenia

działają prawidłowo. Należy sprawdzić, czy mocowania nie są poluzowane, upewnić się, czy wszystkie osłony oraz uchwyty są prawidłowo i solidnie zamocowane. Wymienić wszystkie uszkodzone elementy przed rozpoczęciem użytkowania.

- Nie należy modyfikować maszyny w żaden sposób ani używać części i akcesoriów, które nie są zalecane przez producenta.
- Nie pozwól, aby znajomość urządzenia (wynikająca z jego częstego używania) stała się przyczyną nieostrożnego błędu. Nieostrożna obsługa może spowodować poważne urazy ciała w ciągu ułamka sekundy.
- Uchwyty i powierzchnie do trzymania muszą zawsze być suche, czyste i wolne od smaru oraz oleju. Śliskie uchwyty i powierzchnie do trzymania nie umożliwiają bezpiecznej obsługi i kontrolowania narzędzia w nieoczekiwanych sytuacjach.

⚠ OSTRZEŻENIE

W przypadku upuszczenia produktu, narażenia jej na silne uderzenie lub w przypadku wystąpienia nietypowych wibracji należy natychmiast zatrzymać produkt i sprawdzić, czy nie ma oznak uszkodzenia lub ustalić przyczynę wibracji. Wszelkie uszkodzone części muszą być odpowiednio naprawione lub wymienione w autoryzowanym punkcie serwisowym.

DOTYCZY MONTAŻU Z SILNIKIEM ELEKTRYCZNYM

- Urządzenie powinno być zasilane przez wyłącznik różnicowo-prądowy (RCD), o prądzie zadziałania nie większym niż 30 mA.
- Jeśli konieczne jest użycie przedłużacza, należy upewnić się, że nadaje się on do stosowania na zewnątrz pomieszczeń oraz że ma parametry (moc podłączonych urządzeń) umożliwiające podłączenie danego produktu. Sprawdzić przed każdym użyciem, czy nie ma uszkodzeń. Zawsze należy rozwijać go podczas użytkowania, ponieważ zwinięte kable mogą ulec przegrzaniu.
- Jeżeli kabel zasilający ulegnie uszkodzeniu, musi zostać wymieniony przed rozpoczęciem użytkowania.

OSTRZEŻENIA BEZPIECZEŃSTWA DOTYCZĄCE PILARKI

- Nigdy nie wolno używać pilarki, gdy występuje ryzyko burzy lub wyładowań atmosferycznych. Pilarkę do gałęzi i kable zasilające należy przechowywać w odpowiednim miejscu wewnątrz pomieszczeń.
- Należy dopilnować, aby wszystkie osłony i uchwyty były odpowiednio zamontowane i znajdowały się w dobrym stanie.
- Nie należy rozpoczynać używania produktu zanim obszar pracy nie będzie dobrze przygotowany, operator zajmie pewną pozycję oraz określi drogę ewakuacji w przypadku spadających gałęzi lub konarów.
- Należy uważać na emisję mgiełki środka smarnego oraz pyłu drzewnego. Należy nosić maskę lub respirator, jeśli jest to wymagane.



- Pilarkę podczas pracy zawsze należy trzymać obiema rękami. Przytrzymać jedną ręką przedni uchwyt. Użyć drugiej dłoni, aby chwycić tylny uchwyt i obsługiwać produkt.
- Elektronarzędzie należy trzymać wyłącznie za powierzchnie uchwytów, ponieważ pilarka łańcuchowa może uszkodzić ukrytą instalację elektryczną pod napięciem. Zetknięcie pilarki z przewodem pod napięciem spowoduje, że wszystkie metalowe części elektronarzędzia będą również pod napięciem, co w rezultacie spowoduje porażenie operatora prądem elektrycznym.
- Nie należy modyfikować produktu w żaden sposób ani używać go do napędzania innych urządzeń, które nie są zalecane przez producenta jako współpracujące z produktem.
- Pilarka do gałęzi jest wyposażona w uprząż. Należy używać tego podczas obsługi pilarki. Pomoże ona kontrolować opad pilarki po zakończeniu cięcia. Pomoże ona również utrzymać maszynę podczas pracy i podczas zmiany miejsca pracy.
- Należy sprawdzić, w jaki sposób należy obsługiwać mechanizm szybkiego zwalniania i przećwiczyć używanie go przed uruchomieniem maszyny. Prawidłowe użycie może zapobiec poważnym obrażeniom ciała w razie nagłej sytuacji. Nigdy nie należy zakładać dodatkowej odzieży na uprząż, ponieważ spowodowałoby to ograniczenie dostępu do mechanizmu szybkiego zwalniania.
- Przed uruchomieniem narzędzia należy upewnić się, że łańcuch pilarki nie dotyka żadnego obiektu.
- Nieprawidłowo napięty łańcuch może ześlizgnąć się z prowadnicy i może spowodować poważne obrażenia lub śmierć. Łańcuch, szczególnie nowy, należy sprawdzać przed każdym użyciem i często.
- Aby ograniczyć ryzyko obrażeń związanych z częściami ruchomymi, zawsze zatrzymywać produkt i odłączyć go od zasilania (jeśli jest to właściwe), upewniając się, że wszystkie ruchome części zatrzymają się, przed przystąpieniem do wykonywania następujących czynności:
 - czyszczenie lub usuwanie blokady
 - pozostawianie produktu bez nadzoru
 - montaż lub demontaż osprzętu
 - sprawdzanie, konserwacja lub obsługa maszyny
- Może dojść do odrzutu (odboju) jeżeli czubek prowadnicy łańcucha wchodzi w kontakt z przedmiotem lub gdy łańcuch tnący zaklinuje się czy zablokuje w drewnie podczas piłowania. W niektórych przypadkach kontakt końcówki może spowodować gwałtowny odskok, na skutek czego prowadnica odskakuje do góry i do tyłu w stronę operatora. Zakleszczenie łańcucha piły na wysokości górnej krawędzi prowadnicy może spowodować gwałtowne odepchnięcie prowadnicy w stronę operatora. Każda z tych reakcji może spowodować utratę kontroli nad maszyną, co może doprowadzić do poważnych urazów ciała. Nie polegać wyłącznie na wbudowanych w nabytą maszynę urządzeniach zabezpieczających. Użytkownik pilarki powinien podjąć wiele stosownych działań w celu wyeliminowania ryzyka wypadku lub urazów ciała podczas cięcia. Odskok ma miejsce w rezultacie nieprawidłowego użycia oraz/lub niewłaściwych procedur roboczych lub warunków i można go uniknąć, stosując się do poniższych środków ostrożności:
 - Można zmniejszyć czy zlikwidować efekt zaskoczenia zrozumiałwszy zasadę odrzutu (odboju). Efekt zaskoczenia przyczynia się do wypadków.
 - Upewnijcie się, że strefa w której używacie piły łańcuchowej nie zawiera przeszkód. Nie dopuszczajcie do zetknięcia się końcówki prowadnicy z konarem, gałęzią ani żadnym innym obiektem podczas obsługi produktu.
 - Należy trzymać urządzenie w pewny sposób, tak obie ręce znajdowały się na maszynie oraz aby pozycja ciała i ramion była odpowiednia, aby oprzeć się odskokowi. Siły odskoku mogą być kontrolowane przez operatora, jeśli zostaną zastosowane odpowiednie środki zaradcze. Nie wolno utracić kontroli nad pilarką.
 - Nie sięgać zbyt daleko. Pomoże to wyeliminować niezamierzony kontakt końcówki i zapewni lepszą kontrolę nad produktem w niespodziewanych sytuacjach.
 - Należy wyłącznie stosować prowadnice i łańcuchy określone przez producenta. Nieprawidłowe zamienne prowadnice i łańcuchy mogą spowodować pęknięcie łańcucha oraz/lub odskok.
 - Bezpieczne ostrzenie łańcucha wymaga wprawy. W związku z tym producent zdecydowanie zaleca, aby zużyty lub tępy łańcuch wymienić na nowy łańcuch, który można zakupić w autoryzowanym centrum serwisowym Ryobi. Numer części można znaleźć w tabeli specyfikacji produktu w tym podręczniku.
- Nie używać na drabinie lub niestabilnym mocowaniu. Podczas cięcia opierajcie się zawsze dobrze na waszych nogach na twardym podłożu. W ten sposób unikniecie utraty równowagi w trakcie wykonywania czynności.
- Aby nie doszło do śmiertelnego porażenia prądem elektrycznym, nie wolno wykonywać prac w odległości poniżej 10 metrów od napowietrznych linii elektrycznych.
- Gałęzie należy obcinać sekcjami. Nie używać tego urządzenia w warunkach niebezpiecznych. Uwaga na gałęzie spadające lub odbijające się od ziemi po upadku.
- Bądźcie wyjątkowo ostrożni kiedy tniecie kłody czy małe gałęzie, gdyż cienkie elementy mogą przyczepić się do łańcucha tnącego i zostać obrzucone w waszym kierunku, przy czym stracie równowagę.
- Kiedy tniecie naprężoną gałąź, bądźcie gotowi do szybkiego oddalenia się, w taki sposób by uniknąć uderzenia, kiedy napięcie włókien drewna odprężą się.
- Jeśli skuteczność cięcia z czasem spadnie, należy sprawdzić, czy zęby łańcucha są ostre i czyste. W razie potrzeby należy wymienić zamontowany łańcuch (i prowadnicę), zgodnie z zaleceniami producenta.
- Jeśli dojdzie do zablokowania łańcucha lub prowadnicy na dużej wysokości, należy zwrócić się o pomoc do



zawodowych służb wycinki drzew w cel bezpiecznego zwolnienia ostrza.

⚠ OSTRZEŻENIE

Przed każdym użyciem i z regularną częstotliwością należy sprawdzać, czy wszystkie połączenia wału na drążku wydłużającym oraz narzędziu są dobrze zamocowane.

ŚRODKI OCHRONY OSOBISTEJ

Dobrej jakości środki ochrony osobistej stosowane przez zawodowców pomogą ograniczyć ryzyko obrażeń ciała u operatora. W przypadku obsługi produktu powinny być używane następujące elementy:

Kask ochronny

- powinien być zgodny z normą EN 397 i mieć oznaczenie CE

Środki ochrony słuchu

- powinien być zgodny z normą EN 352-1 i mieć oznaczenie CE

Ochrona oczu i twarzy

- powinny mieć oznaczenie CE oraz być zgodne z normą EN 166 (dot. okularów ochronnych) lub EN 1731 (siatkowa osłona)

Rękawice

- powinien być zgodny z normą EN 381-7 i mieć oznaczenie CE

Obuwie

- powinien być zgodny z normą EN 20345 i mieć oznaczenie CE

OBSŁUGA – OBCINANIE GAŁĘZI

- Przed rozpoczęciem pracy należy sprawdzić stan drzewa i gałęzi. Jeśli występują ślady uszkodzenia, zgnicia lub pogorszenia stanu, nie należy piłować samodzielnie. Uszkodzone lub spróchniałe konary są bardzo niestabilne. Należy zwrócić się o pomoc do specjalisty w zakresie wycinki drzew.
- Nigdy nie wolno stać pod przycinaną gałęzią.
- Obcięte gałęzie nie zawsze spadają równo na ziemię. Mogą być one łatwo pochwycone i odgięte przez inne liście. Należy zapewnić na czas cięcia strefę bezpieczeństwa o przynajmniej dwukrotnie większej długości niż gałąź, która będzie cięta. Jeśli nie jest to możliwe, należy zwrócić się o pomoc do specjalisty w zakresie wycinki drzew.
- Należy zapewnić, aby spadająca gałąź nie stanowiła zagrożenia dla operatora, osób postronnych ani mienia, w tym kabli energetycznych.
- Nigdy nie wolno używać narzędzia z wysięgnikiem ustawionym pod kątem powyżej 60° w stosunku do płaszczyzny poziomej.
- Nigdy nie wolno używać pilarki, gdy odległość ostrza od napowietrznych linii energetycznych wynosi mniej niż

10 metrów.

- Nie należy przyciskać produktu na siłę. Łańcuch powinien swobodnie wykonywać swoją pracę.
 - Nie należy próbować ciąć gałęzi zbyt blisko drzewa. Pozostawić około 15 od pnia ciętego drzewa.
 - Oprzeć prowadnicę piły na gałęzi, która ma być odcięta i lekko docisnąć piłę, tak aby karbowany zderzak również zetknął się z gałęzią. Poprawi to stabilność, cięcie oraz zapewni czystsze cięcie.
 - Małe, cienkie i lekkie gałęzie można przeciąć jednym cięciem dolną częścią prowadnicy piły.
 - W przypadku gałęzi o większych średnicach oraz o większej wadze, gdzie gałąź może pęknąć lub rozdzielić się podczas cięcia, pierwsze cięcie należy wykonać od spodu gałęzi przy użyciu górnej krawędzi prowadnicy piły. Cięcie to należy wykonać na około jednej trzeciej długości konaru. Następnie należy wykonać drugie cięcie nad gałęzią przy użyciu spodniej części prowadnicy piły, docinając do pierwszego cięcia.
 - Duże gałęzie należy ciąć w formie kłód, a nie w całości.
 - Nigdy nie wolno dokańczać poprzedniego cięcia, gdy łańcuch i prowadnica znajdują się we wcześniejszym cięciu. Zawsze należy rozpoczynać nowe cięcie. Ograniczy to ryzyko odskoku oraz potencjalnych urazów ciała.
- ### **TRANSPORT I PRZECHOWYWANIE**
- #### **DOTYCZY MONTAŻU Z SILNIKIEM BENZYNOWYM**
- Przed schowaniem lub transportem produktu należy zatrzymać go i odczekać, aż ostygnie.
 - Usunąć z produktu wszelkie zanieczyszczenia.
 - W przypadku przechowywania urządzenia przez dłuższy czas (miesiąc lub dłużej) należy lekko nasmarować łańcuch, aby nie dopuścić do zardzewienia. Producent zaleca używanie środka smarnego Ryobi do prowadnicy i łańcucha, który jest dostępny w autoryzowanym punkcie serwisowym Ryobi.
 - Prowadnicę piły należy zabezpieczyć ochraniaczem przed schowaniem urządzenia lub podczas transportu.
 - Spuścić całe pozostałe paliwo ze zbiornika do pojemnika zatwierdzonego dla benzyny. Należy pamiętać o ponownym założeniu i dokręceniu korka wlewu paliwa.
 - Jeżeli jest to właściwe, całkowicie spuścić środek smarny do specjalnego, zatwierdzonego (atestowanego) pojemnika. Pamiętać o należywym ponownym założeniu nakrywy zbiornika smaru.
 - Uruchomić silnik i odczekać aż sam zgaśnie. Pozwoli to na usunięcie całego paliwa, które mogłoby utracić świeżość, co mogłoby skutkować powstaniem osadu w układzie paliwowym.
 - Należy przechowywać urządzenie w chłodnym, suchym i dobrze wentylowanym miejscu, które jest niedostępne dla dzieci. Nie chowajcie jej w pobliżu czynników żrących, takich jak ogrodowe produkty chemiczne czy sole odmrażające.
 - Nie przechowywać na zewnątrz.

- W przypadku transportu produktu należy zabezpieczyć go przed przemieszczaniem się lub upadkiem, aby nie dopuścić do obrażeń ciała lub uszkodzenia urządzenia.
- Nie wolno przenosić ani transportować uruchomionego produktu.
- Odnieście się do przepisów krajowych i lokalnych w zakresie magazynowania i manipulowania paliwa.

KRÓTKIE PRZECHOWYWANIE

- Przed schowaniem lub transportem urządzenia należy zatrzymać je i odczekać, aż ostygnie.
- Usunąć z produktu wszelkie zanieczyszczenia.
- Do przechowywania lub transportu na ostrze należy zakładać osłonę.
- Należy przechowywać urządzenie w chłodnym, suchym i dobrze wentylowanym miejscu, które jest niedostępne dla dzieci.
- Nie chowajcie jej w pobliżu czynników żrących, takich jak ogrodowe produkty chemiczne czy sole odmrażające.
- Nie przechowywać na zewnątrz.

DOTYCZY MONTAŻU Z SILNIEM ELEKTRYCZNYM

- Zatrzymać urządzenie, odłączyć zasilanie i zwinąć kabel. Należy odczekać, aż silnik ostygnie.
- Usunąć z produktu wszelkie zanieczyszczenia. Należy przechowywać urządzenie w chłodnym, suchym i dobrze wentylowanym miejscu, które jest niedostępne dla dzieci. Nie chowajcie jej w pobliżu czynników żrących, takich jak ogrodowe produkty chemiczne czy sole odmrażające. Nie przechowywać na zewnątrz.
- W przypadku przechowywania urządzenia przez dłuższy czas (miesiąc lub dłużej) należy lekko nasmarować łańcuch, aby nie dopuścić do zardzewienia. Producent zaleca używanie środka smarnego Ryobi do prowadnicy i łańcucha, który jest dostępny w autoryzowanym punkcie serwisowym Ryobi.
- Prowadnicę piły należy zabezpieczyć ochroniaczem przed schowaniem urządzenia lub podczas transportu.
- W przypadku transportu urządzenia należy zabezpieczyć je przed przemieszczaniem się lub upadkiem, aby nie dopuścić do obrażeń ciała lub uszkodzenia urządzenia.

KONSERWACJA

⚠ OSTRZEŻENIE

Należy stosować wyłącznie oryginalne części zamienne, akcesoria oraz przystawki producenta. W przeciwnym razie może dojść do obrażeń ciała, niskiej wydajności oraz do nieważnienia gwarancji.

⚠ OSTRZEŻENIE

Serwisowanie wymaga wyjątkowej staranności i wiedzy. Może być wykonywane wyłącznie przez wykwalifikowany personel serwisowy. W celu naprawy zaleca się oddać kosiarkę do najbliższego autoryzowanego punktu serwisowego. Do napraw używać wyłącznie identycznych zamienników.

⚠ OSTRZEŻENIE

Łańcuch jest bardzo ostry. Aby nie dopuścić do urazów ciała, należy zachować szczególną ostrożność podczas czyszczenia, zakładania i zdejmowania ochroniacza łańcucha oraz zawsze należy nosić rękawice ochronne przy wykonywaniu czynności konserwacyjnych związanych z łańcuchem.

⚠ OSTRZEŻENIE

Nieprawidłowo konserwowany łańcuch zwiększa tendencję do odbić. Jeżeli nie przystąpić do wymiany czy naprawy uszkodzonego łańcucha, narażacie się na poważne obrażenia cieleśne.

- Przed przystąpieniem do konserwacji lub czyszczenia zawsze wyłączyć produkt i odłączyć go od zasilania, a także upewnić się, że wszystkie ruchome części całkowicie się zatrzymały.
- Możesz wykonywać czynności regulacyjne i naprawcze opisane w tej instrukcji obsługi. W przypadku innych napraw należy skontaktować się z autoryzowanym punktem serwisowym.
- Należy postępować zgodnie z instrukcjami w zakresie smarowania oraz sprawdzania i regulacji napięcia łańcucha.
- Po każdym użyciu należy wyczyścić korpus oraz uchwyty produktu miękką, suchą szmatką.
- Systematycznie sprawdzać, czy wszystkie nakrętki, wkręty i śruby są dobrze dokręcone, aby upewnić się, że produkt jest w bezpiecznym stanie. Każdą uszkodzoną część należy odpowiednio naprawić lub wymienić w autoryzowanym punkcie serwisowym.

Harmonogram konserwacji

Codzienna kontrola	
Smar słupek	Przed każdym użyciem
Naciąg łańcucha	Przed każdym użyciem i często
Ostrość łańcucha	Przed każdym użyciem, kontrola wizualna
Występowanie uszkodzeń	Przed każdym użyciem
Dokręcenie elementów mocujących	Przed każdym użyciem

Mieszanka paliwowa lub paliwo i smar (tylko do silnika benzynowego)	Przed każdym użyciem
Załączanie sprzęgła (tylko w przypadku silnika benzynowego) (brak ruchu łańcucha na biegu jałowym)	Przed każdym użyciem
Przewód zasilający pod kątem uszkodzeń (tylko silnik elektryczny)	Przed każdym użyciem

RYZIKO ZWIĄZANE Z UŻYTKOWANIEM:

Nawet jeśli produkt jest używany zgodnie z zaleceniami, nadal nie jest możliwe wyeliminowanie określonych czynników ryzyka. Następujące zagrożenia mogą wystąpić podczas używania urządzenia i operator powinien zwracać szczególną uwagę na poniższe punkty:

- Urazy ciała spowodowane przez wibracje. Zawsze należy używać do określonego zadania odpowiednich narzędzi, korzystać z przeznaczonych do tego uchwytów i stosować się do zaleceń dotyczących czasu pracy i narażenia.
- Narażenie na hałas może spowodować utratę słuchu. Należy nosić środki ochrony uszu oraz ograniczyć poziom narażenia.
- Kontakt z odsłoniętymi zębami piły łańcuchowej (ryzyko przecięcia).
- Niespodziewane i gwałtowne szarpnięcie lub odrzut prowadnicy (ryzyko przecięcia).
- Części wyrzucone z pilarki łańcuchowej (zagrożenie zranienia).
- Odrzucone kawałki obrabianego materiały (drzazgi, wióry).
- Wdychanie pyłu drzewnego i cząstek stałych.
- Kontakt środka smarnego/oleju ze skórą.

OGRANICZENIE RYZYKA

Badania dowodzą, że wibracje powodowane przez narzędzia ręczne mogą wywoływać u niektórych osób objawy syndromu Raynauda. Typowe objawy to mrowienie, drętwienie i blednięcie palców, widoczne zwykle po wystawieniu na działanie zimna. Uważa się, że czynniki dziedziczne, wystawienie na działanie zimna i wilgoci, dieta, palenie papierosów i przyjęte zwyczaje przyczyniają się do rozwoju tych objawów. Istnieją środki zaradcze, które może podjąć operator narzędzia, aby zmniejszyć efekt wibracji:

- Zadbac w niskich temperaturach o ciepłotę własnego ciała, zakładając odpowiednie ubranie. Podczas obsługi urządzenia należy nosić rękawice, aby dłonie i nadgarstki były ciepłe. Wiadomo, że niskie temperatury są główną przyczyną powstawania objawu Raynauda.
- Podczas przerw w pracy należy wykonywać ćwiczenia poprawiające krążenie krwi..
- Podczas pracy robić częste przerwy. Ograniczyć ekspozycję w ciągu dnia.

W razie doświadczenia dowolnego z wymienionych objawów, należy niezwłocznie zaprzestać użytkowania tego urządzenia i skontaktować się z lekarzem.

⚠ OSTRZEŻENIE

Długotrwałe użytkowanie narzędzia może spowodować obrażenia ciała lub nasilić dolegliwości zdrowotne. W przypadku używania narzędzia przed dłuższy czas należy pamiętać o regularnych przerwach.

ZAPOZNAJ SIĘ ZE SWOIM PRODUKTEM

Patrz str. 175.

1. Łańcuch tnący
2. Prowadnica
3. Nakrętkę sześciokątną
4. Osłona koła łańcuchowego
5. Pochwa
6. Korek oleju
7. Krótka stalowa rurka
8. Mocowanie przystawki

SYMBOLE PRODUKTU



Alarm bezpieczeństwa



Należy przeczytać i zrozumieć wszystkie instrukcje przed rozpoczęciem obsługi produktu oraz przestrzegać wszystkich ostrzeżeń i instrukcji dotyczących bezpieczeństwa.



Stosować środki ochrony oczu, uszu i głowy.



Podczas korzystania z tego produktu należy zakładać wysokie, antypoślizgowe obuwie ochronne.



Zakładać antypoślizgowe, grube rękawice ochronne.



Nie wystawiać urządzenia na działanie deszczu ani nie używać w miejscach o dużej wilgotności.



Ryzyko porażenia prądem elektrycznym, przynajmniej 10 m od napowietrznych linii energetycznych. Uwaga na odrzucone przedmioty. Wszystkie osoby postronne, a szczególnie dzieci i zwierzęta, muszą znajdować się w odległości przynajmniej 15 metrów od miejsca pracy.



Przed rozpoczęciem użytkowania produktu zawsze zdejmować pochwę.



Olej do smarowania prowadnicy i łańcucha



Kierunku ruchu łańcucha



Narzędzie to spełnia wymogi wszystkich norm reglamentacji kraju UE, w którym było ono zakupione.



Znak zgodności EurAsian



Zużyte produkty elektryczne nie powinny być utylizowane z odpadami domowymi. Prosimy poddawać recyklingowi w odpowiednich miejscach. Informacje o właściwych metodach recyklingu można uzyskać u władz lokalnych lub sprzedawcy.



Ukraiński znak zgodności

Poniższe symbole i nazwy które im nadano, pozwalają wyjaśnić różne poziomy ryzyka związanego z używaniem tego narzędzia.

NIEBEZPIECZEŃSTWO

Wskazuje na realne zagrożenie, które może spowodować śmierć lub poważne zranienie, jeżeli się nie uniknie tego niebezpieczeństwa.

OSTRZEŻENIE

Wskazuje na potencjalne zagrożenie, które może spowodować śmierć lub poważne zranienie, jeżeli się nie uniknie tego niebezpieczeństwa.

UWAGA

Wskazuje na potencjalne zagrożenie, które może spowodować mniejsze lub bardziej poważne zranienie, jeżeli się nie uniknie tego niebezpieczeństwa.

UWAGA

Bez symbolu ostrzeżenia
Sytuacja, która może grozić uszkodzeniem mienia.

Při výrobě řezací násady byl brán zřetel především na bezpečnost, výkon a spolehlivost.

ZAMÝŠLENÉ POUŽITÍ

Tento řezací násady je schválen k použití se všemi benzínovými čerpadly značky Ryobi/Homelite o objemu 30 ccm a méně nebo s elektrickým čerpadlem RHP1200, RLT12381, RBC12261.

Nástavec smí používat pouze dospělé osoby, které si přečetly a řádně pochopily pokyny a varování v tomto návodu a návodu pro dané čerpadlo, a mohou být považovány za zodpovědné za své činy. Tento výrobek je určen pouze pro venkovní použití. Z bezpečnostních důvodů je nutné s produktem řádně manipulovat oběma rukama.

Tento výrobek je navržen pro řezání a vyvrtávání malých kmenů a větví s průměrem stejným či menším jak délka lišty, které rostou jako stromy, obsluha současně stojí na zemi a má pevný postoj. Výrobek je navržen tak, aby se dal prodloužit na maximální délku 2.6 metrů. Nepřekračujte tuto pracovní délku.

Není navrženo pro používání na stromě nebo jako běžná řetězová pila pro prořezávání nebo odvětvování na zemi při velmi malé vzdálenosti.

VAROVÁNÍ

Při používání výrobku musí být dodrženy bezpečnostní předpisy. Pro vaši vlastní bezpečnost i bezpečnost kolemjdoucích si přečtěte tento návod k obsluze. Tyto pokyny uschovejte pro příští použití.

VAROVÁNÍ

Výrobek není vhodný pro používání s benzínovými jednotkami vybavenými řídkovými rukojetěmi.

VŠEOBECNÁ BEZPEČNOSTNÍ VAROVÁNÍ

MONTÁŽ S BENZÍNOVÝM ČERPADLEM

- Pro bezpečné používání si přečtěte a porozumějte všem pokynům, než použijete výrobek. Respektujte veškeré bezpečnostní pokyny. Nedodržení pokynů může způsobit vážné zranění.
- Nikdy motor nespouštějte ani nepoužívejte v uzavřených nebo málo větraných místnostech; vdechování zplodin může usmrtit.
- Nedotýkejte se oblasti kolem tlumiče nebo válce produktu, protože tyto součásti se při provozu zahřívají.
- Před provedením jakýchkoliv úprav vždy zastavte motor. Před čistěním, prohlídkou, atd. nechte přístroj vychladnout.
- Při míchání paliva a plnění palivové nádrže nekuřte.
- Benzín míchejte a skladujte v nádobě určené ke skladování benzínu.
- Benzín míchejte na vzduchu, v bezpečné vzdálenosti od zdrojů jiskření a otevřeného ohně. Pečlivě utřete vylitý benzín. Přesuňte se o 9 m (30 stop) od místa doplnění před spuštěním motoru.

- Vypněte motor a nechte jej vychladnout před doplněním paliva nebo uložením přístroje.
- Nechte motor vychladit; vyprázdněte palivovou nádrž, popřípadě olejovou nádrž a před převozem přístroj zajistěte proti pohybu.

VAROVÁNÍ

Po uvolnění spouště plynu a uvedení motoru do volnoběžných otáček se nesmí žací doplněk nebo řetězu pohybovat. Pokud tomu není, hrozí nebezpečí vážného poranění obsluhy. Nepoužívejte nástroj. Obratě se pro profesionální seřízení a opravu na autorizované servisní centrum.

MONTÁŽ S ELEKTRICKÝM ČERPADLEM

VAROVÁNÍ

Přečtěte si všechny pokyny a bezpečnostní varování. Opomenutí dodržování varování a pokynů uvedených níže může způsobit úraz elektrinou požár a/nebo vážná poranění osob.

Uschovejte všechny pokyny a upozornění, abyste se k nim mohli v budoucnosti vrátit.

Pojem „elektricky poháněný nástroj“ ve varování poukazuje na váš nástroj, který je napájen pomocí napájecího kabelu z elektrické sítě (s kabelem) nebo z baterie (bez přívodního kabelu).

PRACOVNÍ PROSTŘEDÍ

- **Udržujte pracovní prostor čistý a dobře osvětlený.** Zatarasené nebo tmavé oblasti vedou k nehodám.
- **Nepracujte s tímto elektricky poháněným nástrojem ve výbušných prostředích, například v přítomnosti hořlavých kapalin, plynů nebo prachu.** Elektricky poháněné nástroje vytváří jiskry, které mohou zapálit prach nebo výpary.
- **Udržujte děti a přihlízející během práce s elektricky poháněným nástrojem stranou.** Rozptylování může způsobit ztrátu kontroly.

ELEKTRICKÁ BEZPEČNOST

- **Zástrčky elektricky poháněného nástroje musí být shodné s elektrickou zásuvkou. Nepokoušejte se zástrčku jakýmkoliv způsobem upravovat. Nepoužívejte žádný adaptér zástrček se zemným (uzemněným) elektricky poháněným nástrojem.** Neupravené zástrčky a shodné zásuvky snižují nebezpečí elektrického úrazu.
- **Předcházejte tělesnému kontaktu s uzemněnými nebo zemnými povrchy, například trubkami, radiátory, sporáky a lednicemi.** Je zde zvýšené nebezpečí zásahu elektrickým proudem, pokud je vaše tělo zemněno nebo uzemněno.
- **Nevystavujte tento přístroj dešti nebo vlhkým podmínkám.** Voda vnikající do elektricky poháněného nástroje zvyšuje nebezpečí elektrického úrazu.
- **Nepoškozujte napájecí kabel. Nikdy pro odpojení, táhnutí nebo přenášení elektricky poháněného**



nástroje nepoužívejte kabel. Udržujte kabel mimo horké plochy, olej, pohyblivé součásti nebo ostré hrany. Poškozené nebo zamotané kabely zvyšují nebezpečí elektrického úrazu.

- Pokud používáte elektricky poháněný nástroj ve venkovním prostředí, používejte prodlužovací kabel vhodný pro venkovní prostředí. Použití kabelu vhodného pro venkovní prostředí snižuje nebezpečí elektrického úrazu.
- Pokud používáte elektricky poháněný nástroj ve vlhkém prostředí, je nezbytné používat proudový chránič (PCH). Použitím PCH snížíte nebezpečí poranění elektrickým proudem.

OSOBNÍ BEZPEČNOST

- Buďte ve střehu, hlídejte, co děláte a používejte zdravý rozum při provozu tohoto elektricky poháněného nástroje. Elektrický nástroj nepoužívejte, pokud jste unaveni nebo pod vlivem drog, alkoholu nebo léků. Chvilu nepozornosti při práci s tímto elektricky poháněným nástrojem může způsobit vážná poranění osob.
- Používejte osobní ochrannou výbavu. Vždy noste ochranu očí. Ochranná výbava jako respirátor, protiskluzová obuv, ochranná přilba nebo ochrana sluchu použitá pro příslušné podmínky snižuje osobní poranění.
- Zabraňte náhodnému spuštění. Zabezpečte, aby byl spínač v poloze vypnuto (off) před připojením zdroje energie a/nebo bloku baterií, přípravou nebo nesením nástroje. Nošení elektrického nástroje s vaším prstem na spínači nebo se zapojenou zástrčkou elektrického nástroje může při zapnutí vést k nehodě.
- Odstraňte všechny seřizovací klíče nebo šroubováky, než zapnete poháněný nástroj. Klíč nebo šroubovák ponechaný přiložený k pohyblivému dílu elektricky poháněného nástroje může způsobit poranění osob.
- Nepřeceňujte se. Udržujte řádné postavení a rovnováhu po celou dobu práce. Toto umožňuje lepší ovládnutí poháněného nástroje v neočekávaných situacích.
- Správně se oblékejte. Nenoste volný oděv nebo šperky. Udržujte svoje vlasy, oděv a rukavice mimo pohyblivé části. Volný oděv, šperky nebo dlouhé vlasy mohou být zachyceny do pohyblivých dílů.
- Pokud jsou zařízení vybavena přípojkou pro odsávání prachu a sběrným zařízení, ujistěte se, že jsou správně připojena k nástroji, a že se správně používají. Použití odsavače prachu může snížit nebezpečí související s prachem.

POUŽITÍ A PÉČE O NÁSTROJ

- Nepoužívejte nadměrnou sílu na nástroj. Nářadí vybírejte podle povahy práce, kterou chcete provádět. Správný elektricky poháněný nástroj bude svou práci provádět lépe a bezpečněji při práci, pro kterou byl navržen.
- Elektricky poháněný nástroj nepoužívejte, pokud spínač nezapíná a nevyplíná. Každý elektricky poháněný nástroj, který nemůže být ovládán spínačem,

je nebezpečný a musí být opraven.

- Odpojte zástrčku od zdroje napájení a/nebo bateriový modul dříve, než provedete jakákoliv nastavení, výměnu příslušenství nebo než elektricky nástroj uložíte. Také bezpečnostní preventivní opatření snižují riziko náhodného spuštění elektrického nástroje.
- Ukládejte nečinný elektricky poháněný nástroj mimo dosah dětí a nenechávejte neznámé osoby pracovat s elektricky poháněným nástrojem nebo s těmito pokyny k obsluze elektrického nástroje. Elektricky poháněné nástroje jsou nebezpečné v ruce nekvalifikovaných uživatelů.
- Udržujte elektrické nástroje. Kontrolujte vychýlení nebo zasekávání pohyblivých dílů, rozbité části a každé jiné podmínky, které mohou ovlivnit funkci elektricky poháněných nástrojů. Zjistí-li se poškození, musí se elektricky poháněný nástroj před použitím opravit. Mnoho úrazů je způsobeno nedostatečně udržovanými elektricky poháněnými nástroji.
- Udržujte řezné nástroje ostré a čisté. Řádně udržované řezné nástroje s ostrými řeznými hranami mají nízkou pravděpodobnost zaseknutí a jsou snadněji ovladatelné.
- Poháněné nástroje, příslušenství a vrtáky, atd. používejte v souladu s těmito pokyny s ohledem k pracovním podmínkám a práci, která má být provedena. Použití elektricky poháněného nástroje pro práce jiné, než zamýšlené by mohlo mít za následek nebezpečnou situaci.

ÚDRŽBA

- Váš elektricky poháněný nástroj smí opravovat pouze kvalifikovaný opravárenský pracovník a musí používat pouze shodné náhradní díly. Toto zajišťuje udržování bezpečnosti elektricky poháněného nástroje.

DOPLŇUJÍCÍ BEZPEČNOSTNÍ VAROVÁNÍ

- Místní předpisy mohou omezovat použití výrobku. Ověřte si u svého orgánu místní správy toto nařízení.
- Nenechteje děti nebo osoby neseznámené s těmito pokyny pracovat s výrobkem. Místní předpisy mohou omezovat dobu obsluhy.
- Před každým použitím se ujistěte, že všechny ovladače a jističe řádně fungují. Nástroj nepoužívejte, pokud přepínač „nevypíná“ (off) motor.
- Při práci s nástrojem používejte kompletní ochranu zraku a sluchu, zesílené pevné rukavice a helmu; používejte respirátor, pokud pracujete v prachu.
- Nenoste volný oděv, kraťasy nebo jakákoliv šperky.
- Dlouhé vlasy si svažte nad rameny, aby se nemohly zaplést do pohyblivých částí.
- Uvědomte si, že použití ochrany sluchu snižuje vaši schopnost slyšet varování (poplachy nebo výkřiky). Obsluha si musí být tohoto vědoma a platí speciální upozornění, aby si všímala události v jeho pracovní oblasti.
- Obsluha podobných nástrojů zvyšuje jak nebezpečí





poranění sluchu, tak osob vstupujících do zóny práce.

- Vyhýbejte se při sekání odmršťování předmětů; všechny přihlížející, zvláště děti a zvířata, udržujte ve vzdálenosti alespoň 15 m od pracovní oblasti. Zastavte výrobek, pokud někdo vstoupí do pracovního prostoru výrobku.
- Neprovozujte při slabém osvětlení. Obsluha musí mít čistý výhled na pracovní oblast k identifikaci potenciálních nebezpečí.
- Udržujte bezpečné postavení a rovnováhu. Nepřeceňujte se. Přeceňování může mít za následek ztrátu rovnováhy a zvýšení nebezpečí zpětného vrhu.
- Nepoužívejte, pokud jste unaveni nebo pod vlivem drog, alkoholu nebo léků.
- Udržujte všechny části těla mimo pohyblivé součásti.
- Zkontrolujte nástroj před každým použitím. Ověřte správnou funkci všech ovládacích prvků. Zkontrolujte včetně, zda nejsou uvolněny upínací a zda jsou všechny chrániče, vodičí plechy a rukojeti řádně a bezpečně připojeny. Před použitím vyměňte jakékoliv poškozené součásti.
- Nástroj nijak neupravujte nebo nepoužívejte příslušenství, jež nejsou doporučena výrobcem.
- Neseznamujte se velmi s přístrojem (při velmi častém používání), může to způsobit chybu z nedbalosti. Nedbalá činnost může způsobit poranění ze zlomku sekundy.
- Udržujte rukojeti a úchopové oblasti suché, čisté a bez mastnot a oleje. Kluzké rukojeti a úchopové plochy neumožňují bezpečnou manipulaci a kontrolu nad nástrojem v neočekávaných situacích.

VAROVÁNÍ

Pokud začne po pádu, silných nárazech nástroj nenormálně vibrovat, zastavte nástroj a ihned zjistěte příčinu vibrací a rozsah škod. Pokud je nějaká část poškozena, musí se nechat řádně opravit nebo vyměnit pověřeným servisním střediskem.

MONTÁŽ S ELEKTRICKÝM ČERPADLEM

- Elektrické zařízení musí být napájeno přes proudový chránič s reziduálním proudem nepřesahujícím 30 mA.
- Pokud potřebujete použít prodlužovací kabel, ujistěte se, že je vhodný pro venkovní použití a má dostatečnou proudovou kapacitu pro napájení výrobku. Před každým použitím vizuálně prohlédněte na poškození. Během používání kabel plně rozviňte, smotaný kabel se může přehřívat.
- V případě poškození kabelu je nutné jej před dalším použitím vyměnit.

BEZPEČNOSTNÍ VAROVÁNÍ K VYVĚTVOVAČI

- Nikdy nepoužívejte vyvětovací nástroj, když hrozí bouřka a blesky. skladujte vyvětovací nástroj a napájecí kabely bezpečně a ve vnitřních prostorech.
- Zkontrolujte, zda jsou všechny bezpečnostní kryty, rukojeti správně instalovány a v dobrém stavu.
- Nezačínejte řezat, dokud není pracovní zóna vyčištěna,

dokud nebudete stát pevně oběma nohama na zemi a dokud nebudete mít promyšlenou únikovou cestu před padajícím stromem či větvemi.

- Dávejte si pozor na emise výparů z mazacího oleje a prachu z pilin. V případě nutnosti noste masku nebo respirátor.
- Vyvětovací nástroj vždy držte během používání pevně oběma rukama. Jednou rukou pevně uchopte přední rukojeť. Při použití výrobku uchopte zadní madlo pomocí druhé ruky.
- Elektrický nástroj držte pouze za izolované úchopové plochy, protože může dojít ke styku pilového řetězu se skrytými vodiči. Kontakt pilového řetězu s „živým“ vodičem způsobí, že kovové části elektrického nástroje se stanou také „živými“ a způsobí elektrický úraz obsluze.
- V žádném případě neupravujte výrobek nebo jej nepoužívejte k napájení jakékoliv příslušenství či zařízení, které není doporučeno výrobcem pro váš výrobek.
- Váš vyvětovací nástroj se dodává s popruhem. Musíte používat při provozu vyvětovacího nástroje. To vám pomůže kontrolovat pád vyvětovacího nástroje po dokončení řezu. To rovněž pomůže rozložit hmotnost stroje během používání a současně pohyb mezi místy údržby zeleně.
- Vyhledejte si jak obsluhovat rychlospojku a naučte se ji používat před první obsluhou nástroje. Její správné používání může zabránit v nouzi vážným poraněním. Nikdy nenoste doplňující oděv přes popruhy nebo jinak neomezujte přístup k rychlospojce.
- Před nastartováním nástroje zkontrolujte, zda se řetěz nedotýká žádného předmětu.
- Nesprávně napnutý řetěz může vyskočit z vodičí lišty a způsobit vážné či smrtelné poranění. Zkontrolujte před každým použitím a pravidelně, zejména nový řetěz.
- Za účelem snížení rizika nehody spojeného s pohyblivými částmi je nutné výrobek vždy zastavit , případně odpojit ze zdroje elektrického napájení. Ujistěte se, že všechny pohyblivé části se zastavily, teprve poté můžete:
 - čištění nebo odstranění ucpávky
 - ponechání výrobku bez dozoru
 - demontáži a montáži příslušenství
 - kontrolou, údržbou nebo prací na nástroji
- Pokud konec vodičí lišty narazí na cizí předmět nebo dojde k zablokování řetězu při řezání, existuje nebezpečí zpětného vrhu. Dotyk vrcholem vodičí lišty může v některých případech způsobit náhlou zpětnou reakci, což je vyhození vodičí lišty nahoru a zpět směrem k obsluze. Sevření řetězu pily na horní části vodičí lišty může vodičí lištu rychle zatlačit zpět směrem k obsluze. Jakákoliv z těchto reakcí může způsobit ztrátu kontroly nad nástrojem, což by mohlo mít za následek vážné poranění osob. Nespoléhejte výhradně na zabudované bezpečnostní prvky. Protože uživatel vyvětovacího nástroje by měl provést několik kroků, aby prováděl řezání pilou bez nehod a poranění. Zpětný vrh je následkem nesprávného používání nástroje anebo nesprávných pracovních postupů nebo



podmínek a lze se jim vyhnout prováděním správných opatření, viz níže:

- Při práci s pilou je možné omezit nebo zcela odstranit efekt překvapení, který je spojen se zpětným vrhem. Zpětný vrh může být příčinou úrazu.
- Před zahájením práce ověřte, zda se v pracovní zóně nenacházejí překážky. Nenechte špičku vodící lišty přijít do kontaktu s kmenem, větví, plotem či jakýmkoliv překážkami během provozu výrobku.
- Udržujte pevný úchop, palce a prsty obepínají rukojeť nástroje a rozestavte ruce tak, abyste odolávali silám zpětného vrhu. Síly zpětného vrhu mohou být ovládány obsluhou, pokud provede správná opatření. Vyvětovací nástroj neopouštějte.
- Nepřečeňujte se. Toto pomáhá zabránit neúmyslnému kontaktu s vrcholem vodící lišty a umožňuje lepší ovládání nástroje v neočekávaných situacích.
- Používejte pouze náhradní vodící lišty a řetězy určené výrobcem. Nesprávné náhradní vodící lišty a řetězy mohou způsobit zlomení řetězu anebo zpětný vrh.
- Bezpečné ostření řetězu je odborný úkol. Proto výrobce velmi doporučuje opotřebovaný nebo tupý řetěz nahradit novým, který je dostupný u pověřeného servisního střediska Ryobi. Číslo dílu je uvedeno v tabulce specifikací produktu v tomto návodu.

- Nepoužívejte na žebříku nestabilní opěře. Při obsluze pily stůjte oběma nohama na pevné zemi. V této pracovní pozici neztratíte rovnováhu nad nářadím.
- Pro zabránění zabití elektrickým proudem nepoužívejte ve vzdálenosti menší jak 10 m od venkovních rozvodů elektřiny.
- Odebírejte větve po částech. Neprovazujte v nebezpečných polohách. Dávejte si pozor na směr, kudy bude větev padat nebo odskakovat.
- Buďte velmi opatrní při řezání větvíček malých rozměrů, neboť se mohou zachytit o zuby řetězu a být vymrštěny směrem k vám a narušit vaši pracovní rovnováhu.
- Při obtížném řezání větví buďte připravení, abyste mohli rychle ustoupit, dříve než dřevěná vlákna zcela povolí.
- Pokud se řezací výkon časem sníží, zkontrolujte, zda jsou zuby řetězu ostré a čisté. Pokud je to nutné, vyměřte původní řetěz (a lištu) za doporučený výrobce.
- Pokud se řetěz a lišta zablokují nebo zachytí ve velmi vysoké umístěných větvích, neváhejte využít služeb profesionálního dřevorubce pro bezpečné sundání řezných nástrojů.

⚠ VAROVÁNÍ

Zkontrolujte všechny spojky násady na prodlužovací násadě a nástroji, že jsou bezpečně připevněny před každým použitím a v častých intervalech při používání.

PROSTŘEDKY OSOBNÍ OCHRANY

Kvalitní osobní ochranné prostředky, které používají profesionálové, pomohou snížit riziko poranění obsluhy. Při obsluze nástroje je třeba použít následující:

Ochranná přilba

- ve shodě s EN 397 a označená značkou CE

Ochrana sluchu

- ve shodě s EN 352-1 a označená značkou CE

Ochranu zraku a obličje.

- označená značkou CE a ve shodě s EN 166 (pro safety glasses) nebo EN 1731 (síťovinový průhled)

Rukavice

- ve shodě s EN 381-1 a označená značkou CE

Obuv

- ve shodě s EN 397 a označená značkou CE

PROVOZ – VYVĚTVOVÁNÍ

- Před vlastní prací zkontrolujte stav stromu a větví. Pokud jsou zde známky poškození, ztrouchnivění nebo rozkladu, nepokoušejte se provádět prořezávání. Poškozené či ztrouchnivělé větve jsou velmi nestabilní. V případě pochyb neváhejte využít služeb profesionálního dřevorubce.
- Nikdy nestůjte pod větví, které mají být stříhány.
- Prořezávané větve ne vždy padají přímo na terén. Snadno se zachytí a odrazí od jiných listů. Ujistěte se, že je bezpečnostní zóna nejméně dvakrát větší než řezané větve a udržuje ji během prořezávání. Není-li to možné, neváhejte využít služeb profesionálního dřevorubce.
- Ujistěte se, že padající větev neohrožuje vás, přítomné osoby nebo majetek, včetně pomocných kabelů.
- Nikdy nepoužívejte nástroj s násadou pod úhlem větším než 60 ° od vodorovné roviny.
- Nikdy neprovazujte vyvětovací nástroj s řezacími nástroji ve vzdálenosti nižší jak 10m od elektrického vedení.
- Netlačte na výrobek, nechte řetěz dělat práci vlastní rychlostí.
- Nesnažte se řezat větev příliš blízko kmene stromu. Ponechte cca 15 cm od držadla k řezu.
- Položte lištu pily na větev, které mají být uřezány a zatlačte na pilu lehce dopředu tak, aby se žebrovaný doraz dotýkal větve. Pomáhá to při stabilitě, řezání a poskytuje čistší řezy.
- Malé větve jsou tenkého průměru a lehké lze řezat jedním řezem spodní částí lišty pily
- U větví většího průměru a těžších větví, které se mohou zlomit nebo rozštípnout během řezání je nutné je

EN
FR
DE
ES
IT
NL
PT
DA
SV
FI
NO
RU
PL
CS
HU
RO
LV
LT
ET
HR
SL
SK
BG
UK

nejprve naříznout zespodu špičkou lišty pily. Proveďte řez do cca třetiny průměru větve. Poté se provede druhý řez z horní části větve pomocí spodní části lišty pily ke spojení s prvním řezem.

- Zvažte, zda je lepší větší větve řezat jako celek nebo po částech.
- Nikdy nepokračujte řetězem a lištou v již dříve provedeném řezu. Vždy začnete nový řez. Tím se sníží riziko zpětného vrhu a možného poranění.

TRANSPORT A SKLADOVÁNÍ

MONTÁŽ S BENZINOVÝM ČERPADLEM

- Před skladováním a transportem nechte výrobek vždy zastavit a vychladnout.
- Odstraňte z výrobku všechny cizí materiály.
- Když nástroj ukládáte na delší dobu (jeden a více měsíců), zajistěte dokonalé namazání řetězu; to uchrání od vzniku koroze. Výrobce doporučuje použití lišty společnosti Ryobi a mazivo řetězu, které je k dispozici u vašeho autorizovaného servisního střediska Ryobi.
- Před skladováním nebo přepravováním výrobku vždy na nůž umísťujte chránič nože.
- Vylijte palivo z nádrže do kanystru nebo do jiné nádoby, ve které lze uchovávat benzin. Řádně nasadte uzávěr palivové nádrže a utáhněte.
- Vypusťte veškeré mazivo z nádrže do nádoby schválené pro maziva (je-li to třeba). Nezapomeňte řádně nasadit krytku maziva na původní místo.
- Zapněte motor a nechte ho běžet, dokud se sám nevypne pro nedostatek paliva. Odstraní se tak veškerý benzin, který by mohl po čase zanechat stopy laku a pryže v palivovém systému.
- Ukládejte v chladných, suchých a dobře větraných prostorech, které nejsou přístupné dětem. Nářadí neuskładňujte v blízkosti žíravých látek, jako například v blízkosti zahrádkářských nebo zahradnických chemických přípravků nebo soli na zimní sypání komunikací.
- Neskladujte mimo budovu.
- Při transportu výrobku zajistěte proti pohybům nebo pádu, abyste zabránili poranění osob nebo poškození výrobku.
- Nepřenášejte či nepřepřavujte nástroj, když běží.
- Dodržujte veškeré národní závazné předpisy v oblasti přepravy a skladování pohonných hmot.

KRÁTKODOBÉ SKLADOVÁNÍ

- Před skladováním a transportem nechte přístroj vždy zastavit a vychladnout.
- Odstraňte z výrobku všechny cizí materiály.
- Před skladováním nebo přepravováním výrobku vždy na nůž umísťujte chránič nože.
- Ukládejte v chladných, suchých a dobře větraných prostorech, které nejsou přístupné dětem.
- Nářadí neuskładňujte v blízkosti žíravých látek, jako například v blízkosti zahrádkářských nebo zahradnických chemických přípravků nebo soli na

zimní sypání komunikací.

- Neskladujte mimo budovu.

MONTÁŽ S ELEKTRICKÝM ČERPADLEM

- Zastavte výrobek, odpojte z elektrického zdroje napájení a smotejte kabel. Nechte motor vychladnout.
- Odstraňte z výrobku všechny cizí materiály. Ukládejte v chladných, suchých a dobře větraných prostorech, které nejsou přístupné dětem. Nářadí neuskładňujte v blízkosti žíravých látek, jako například v blízkosti zahrádkářských nebo zahradnických chemických přípravků nebo soli na zimní sypání komunikací. Neskladujte mimo budovu.
- Když nástroj ukládáte na delší dobu (jeden a více měsíců), zajistěte dokonalé namazání řetězu; to uchrání od vzniku koroze. Výrobce doporučuje použití lišty společnosti Ryobi a mazivo řetězu, které je k dispozici u vašeho autorizovaného servisního střediska Ryobi.
- Před skladováním nebo přepravováním výrobku vždy na nůž umísťujte chránič nože.
- Při transportu nástroj zajistěte proti pohybům nebo pádu, abyste zabránili poranění osob nebo poškození stroje.

ÚDRŽBA

⚠ VAROVÁNÍ

Používejte pouze originální příslušenství, doplňky a náhradní díly výrobce. Zanedbání může zapříčinit možné poranění, slabý výkon a může dojít ke ztrátě záruky.

⚠ VAROVÁNÍ

Údržba vyžaduje extrémní péči a znalosti a měla by být prováděna pouze kvalifikovaným servisním technikem. Pro údržbu nebo servis doporučujeme výrobek vrátit do nejbližšího pověřeného opravárenského střediska. Pokud opravujete, používejte pouze stejné náhradní díly.

⚠ VAROVÁNÍ

Řetěz je velmi ostrý. Pro zabránění poranění osob buďte velmi opatrní při čištění, mazání a upevňování či demontáži krytu nože a při údržbě řetězu vždy pracujte v rukavicích.

⚠ VAROVÁNÍ

Nesprávná údržba řetězu zvyšuje potenciál odmrštění. Pokud nezajistíte výměnu nebo opravu poškozeného řetězu, vystavujete se nebezpečí vážného úrazu.

- Vypněte, popřípadě odpojte výrobek z elektrického zdroje napájení a před údržbou nebo čištěním se ujistěte, že jsou všechny pohyblivé části zcela zastaveny.
- Můžete provádět v návodu k obsluze uvedené opravy

a seřízení. Další opravy se smí provádět pouze u pověřených servisních prodejců.

- Postupujte dle pokynů pro mazání, napnutí řetězu, kontrolu a seřízení.
- Po každém použití očistěte těleso a rukojeti výrobku měkkým a suchým hadříkem.
- Zkontrolujte všechny šrouby, matice v častých intervalech na řádné utažení, aby se zajistilo, že výrobek bude pracovat v bezpečných pracovních podmínkách. Jakýkoliv poškozený díl je nutné správně opravit nebo nechat vyměnit v autorizovaném servisním středisku.

Plán údržby

Denní kontroly	
Mazadlo	Před každým použitím
Napnutí řetězu	Před každým použitím a pravidelně
Ostrost řetězu	Před každým použitím, vizuální kontrola
Poškozené součásti	Před každým použitím
Uvolnění spojovacích prvků	Před každým použitím
Palivový mix nebo palivo a olej (pouze u benzínových čerpadel)	Před každým použitím
Spojka (pouze u benzínových čerpadel) (řetěz se při volnoběhu nepohybuje)	Před každým použitím
Elektrický kabel pro případ poškození (pouze u elektrických čerpadel)	Před každým použitím

ZBYTKOVÁ RIZIKA

Dokonce, i když se výrobek provozuje jak je předepsáno, je stále nemožné zcela eliminovat veškeré zbytkové rizikové faktory. Následující nebezpečí mohou nastat při používání; vyhýbejte se:

- Poranění způsobené vibracemi. Pro danou práci vždy používejte správný nástroj, navržené rukojeti a dodržujte pracovní dobu a expozici.
- Vystavování hluku může způsobit poškození sluchu. Noste ochranu sluchu a omezte vystavení.
- Kontakt s vystaveným pilovým zubem řetězu pily (nebezpečí pořezání).
- Nepředvídaný, náhlý pohyb či zpětný ráz vodící lišty (nebezpečí pořezání).
- Od řetězu pily odlétávají částice (nebezpečí pořezání/vpíchnutí).
- Odmršťování úlomků obrobku (piliny, třísky).
- Inhalace prachu a částic.
- Kontakt kůže s palivem/olejem.

SNÍŽENÍ RIZIKA

Bylo zjištěno, že vibrace z ručních pracovních nástrojů mohou u některých osob přispívat ke stavu tzv. Raynaud's Syndrome (Raynaudovu syndromu). Mezi jeho příznaky patří bmnění, necitlivost a zbledení prstů, patrné obvykle po pobytu v chladu. Vědci se domnívají, že k rozvinutí těchto příznaků přispívají dědičné faktory, pobyt v chladu a vlhku, strava, kouření a pracovní návyky. Uživatel může omezit případné působení vibrací použitím vhodných opatření:

- Za chladného počasí se teple oblečte. Při práci s nástrojem si navlékněte rukavice, abyste udrželi ruce a zápěstí v teple. Bylo zjištěno, že chladné počasí je hlavním faktorem přispívajícím k Raynaud's Syndrome (Raynaudovu syndromu).
- Během práce si v pravidelných intervalech zacvičte, abyste zvýšili krevní oběh.
- Zařazujte časté pracovní přestávky. Omezte dobu práce za den.

Jakmile pocítíte některý z výše uvedených příznaků tohoto syndromu, okamžitě přerušte práci a vyhledejte lékaře.

VAROVÁNÍ

Poranění mohou být způsobena, či zhoršena, prodlouženým používáním nástroje. Když používáte jakýkoliv nástroj delší dobu, dělejte pravidelně přestávky.

POZNEJTE SVŮJ NÁSTROJ

Viz strana 175.

1. Ostrá část řetězu
2. Lišta
3. Šestihrannou maticí
4. Kryt ozubeného kola
5. Pouzdro
6. Víko nádrže oleje/měrka
7. Krátká kovová trubka
8. Závěs nástavce

SYMBOLY NA VÝROBKU



Bezpečnostní výstraha



Řádně si návod přečtěte, porozumějte veškerým pokynům a dodržujte všechny bezpečnostní pokyny a bezpečnostní varování.



Používejte ochranu zraku, hlavy a sluchu.



Noste neklouzavou bezpečnostní obuv, když používáte tento výrobek.



Navlékněte si pevné neklouzavé rukavice.



Nevystavujte dešti nebo nepoužívejte ve vlhkých podmínkách.



Úraz elektřinou, alespoň 10 m
venkovních rozvodů elektřiny



Dávejte pozor na odmrštěné nebo
odletující předměty. Všechny
příhlížečky, zvláště děti a zvířata
udržujte ve vzdálenosti alespoň 15 m
od pracovní oblasti.



Před použitím výrobku je vždy nutné
kryt odstranit.



Olej pro lištu a řetěz



Směr pohybu řetězu



Toto nářadí je v souladu se všemi
normami a předpisy platnými v zemi
EU, ve které bylo zakoupeno.



Euroasijská značka shody



Odpad elektrických výrobků se nesmí
likvidovat v domovním odpadu.
Recyklujte prosím na sběrných
místech. Ptejte se u místních úřadů
nebo prodejce na postup při recyklaci.



Ukrajinská značka shody

Následující signální slova a významy jsou vhodné pro
vysvětlení úrovně nebezpečí spojených s tímto výrobkem.

NEBEZPEČÍ

Označuje bezprostředně rizikovou situaci, které je třeba
předejít, jinak bude jejím následkem smrt nebo vážné
zranění.

VAROVÁNÍ

Označuje možnou rizikovou situaci, které je třeba
předejít, jinak jejím následkem může být smrt nebo
vážné zranění.

VAROVÁNÍ

Označuje možnou rizikovou situaci, které je třeba
předejít, jinak jejím následkem může být smrt nebo
vážné zranění.

VAROVÁNÍ

Bez symbolu bezpečnostní výstrahy

Určuje situaci, která může mít za následek vážné
poškození.



Az ágvágó adapter tervezésekor a legfontosabb szempont a biztonság, a teljesítmény és a megbízhatóság volt.

RENDELTETÉSSZERŰ HASZNÁLAT

Ez ágvágó adapter tervezésekor minden benzines, 30cc vagy kisebb Ryobi/Homelite, illetve elektromos RPH1200, RLT1238I, RBC1226I tápfejjel.

Csak olyan felnőttek használhatják, akik elolvasták és megértették a jelen és a tápfej megfelelő kézikönyvének utasításait és figyelmeztetéseit, és tetteikért felelősséget tudnak vállalni. A termék kizárólag a szabadban használható. Biztonsági okokból a terméket kétkézes működtetéssel megfelelő ellenőrzés alatt kell tartani.

A termék olyan, a magasban található kisebb gallyak és ágak vágását és gallyazását teszi lehetővé úgy, hogy a kezelő stabilan állhat a talajon, amelyek átmérője legfeljebb a láncvezető hosszával egyenlő. A termék maximum 2.6 méteresre hosszabbítható meg. Ne lépje túl ezt megmunkálási hosszát.

Nem használható a fára felmászva, sem pedig hagyományos láncfűrészként rönkhasításra vagy ágazásra a talaj szintjén.

⚠ FIGYELMEZTETÉS

A termék használatakor a biztonsági szabályokat be kell tartani. A saját és mások biztonsága érdekében kérjük, olvassa el ezt az útmutatót a termék használata előtt. Tartsa meg a kézikönyvet, hátha a későbbiekben szüksége lehet rá.

⚠ FIGYELMEZTETÉS

A termék nem használható biciklikormány típusú fogantyúval felszerelt benzinmotoros hajtófejekkel.

ÁLTALÁNOS BIZTONSÁGI FIGYELMEZTETÉSEK

BENZINES TÁPFEJRE SZERELÉS ESETÉN

- A biztonságos használat érdekében a termék használata előtt olvassa el és értelmezze az összes utasítást. Kövessen minden biztonsági utasítást. Bármely előírás be nem tartása súlyos testi sérüléssel járó balesetet vonhat maga után.
- Zárt vagy rosszul szellőző helyiségben soha ne indítsa be vagy járassa a motort; a kipufogógázok belégzése életveszélyes lehet.
- Ne érintse meg a zajtompító és henger körüli területeket, ezek a részek használat közben felforrósodnak.
- Bármilyen átállítás előtt mindig állítsa le a motort. Bármilyen átvizsgálás, beállítás stb. elvégzése előtt hagyja teljesen lehűlni a gépet.
- Ne dohányozzon az üzemanyag keverése vagy betöltése közben.
- Az üzemanyagot benzineskannában tárolja és keverje.
- Az üzemanyagot a szabadban, minden szikraes gyújtóforrástól távol keverje. Törölje le a kifolyt benzint. Menjen 9 m (30 láb) távolságra az újratöltés helyétől a motor beindítása előtt.

- A gép tárolása vagy újratöltése előtt állítsa le a motort és hagyja lehűlni.
- Hagyja a motort lehűlni; ürítse ki az üzemanyagtartályt és az olajtartályt (ha van), és szállítása előtt rögzítse az egységet a járműben.

⚠ FIGYELMEZTETÉS

A gázkioldó felengedésekor, amikor a motor alapjáratú fordulatszámon működik, a vágóeszköznek vagy a fűrészlánc nem szabad mozognia. Ha mégis mozog, fennáll a kezelő súlyos sérülésének veszélye. Ne használja a gépet. A szakszerű beállításhoz vigye a hivatalos szervizközpontba.

ELEKTROMOS TÁPFEJRE SZERELÉS ESETÉN

⚠ FIGYELMEZTETÉS

Olvassa el az összes biztonsági figyelmeztetést és útmutatót. A figyelmeztetések és utasítások be nem tartása elektromos áramütést, tüzet és/vagy súlyos sérülést eredményezhet.

Őrizze meg ezeket a figyelmeztetéseket és utasításokat a későbbi tájékozódásra is.

A figyelmeztetéseken a „szerszámgép” kifejezés az elektromos hálózatról (kábelrel) működtetett vagy akkumulátorról (kábel nélkül) működtetett gépet jelenti.

MUNKATERÜLET

- **A munkaterületet tartsa tisztán és jól megvilágítva.** A rendetlen vagy sötét munkaterületek balesetekhez vezethetnek.
- **Az elektromos szerszámgépeket ne működtesse robbanásveszélyes környezetben, mint például robbanásveszélyes folyadékok, gázok vagy porok jelenlétében.** Az elektromos gépekben szikrák keletkeznek, amik begyújtják a port vagy a gőzöket.
- **Az elektromos szerszámgép használatakor a gyerekeket és a kívülállókat tartsa távol.** A figyelem elterelődése az irányítás elvesztését okozhatja.

ELEKTROMOS BIZTONSÁG

- **A szerszámgép dugaszának illeszkednie kell az aljzathoz. Semmilyen módon ne módosítsa a dugaszt. A földelt elektromos gépekhez ne használjon adapter dugaszt.** A nem módosított és illeszkedő dugasz csökkenti az áramütés kockázatát.
- **Kerülje az érintkezést földelt felületekkel, mint például csövekkel, radiátorokkal és hűtőkkel.** Megnöveli az áramütés kockázatát, ha a teste földeltté válik.
- **Ne tegye ki a terméket esőnek vagy nedves környezet hatásának.** A szerszámgépekbe kerülő víz növeli az áramütés kockázatát.
- **Ne rongálja meg a kábelt. A szerszámgép kábelét soha ne használja a szerszám hordozására, húzására vagy kihúzására. A kábelt hőtől, olajtól, éles tárgyaktól vagy mozgó alkatrészekről tartsa távol.** A sérült vagy beakadt kábelek növelik az





áramütés kockázatát.

- Szerszámgépnek a szabadban való működtetésekor kültéri használatra is megfelelő hosszabbító kábelt használjon. Kültéri használatra megfelelő hosszabbító kábel csökkenti az áramütés kockázatát.
- Ha a szerszámgép használata nedves környezetben elkerülhetetlen, használjon áram-védőkacsolót (RCD). Az RCD használata csökkenti az áramütés kockázatát.

SZEMÉLYI BIZTONSÁG

- Elektromos szerszámgép működtetésekor legyen mindig éber, figyeljen arra, amit csinál, és használja a józan eszét. Ne használja a szerszámgépet, ha fáradt vagy alkohol, gyógyszer illetve más tudatmódosító szerek hatása alatt áll. A gép használata közben már egyetlen figyelmetlen pillanat is súlyos személyi sérüléshez vezethet.
- Használjon személyi védelmi eszközöket. Mindig viseljen védőszemüveget. A védelmi felszerelések, mint például a pormaszk, a csúszásmentes biztonsági lábbelik, a védősisak vagy a fülvédő megfelelő használata csökkenti a személyi sérüléseket.
- Kerülje el a véletlen bekapcsolást. A szerszám szállítása vagy felemelése, az áramellátás és/vagy akkumulátor csatlakoztatása előtt ellenőrizze, hogy a kapcsoló kikapcsolt állásban van. Szerszámgépek szállítása a kapcsolón tartott ujjal vagy bekapcsolt szerszámgépek áram alá helyezése balesetekhez vezet.
- A szerszámgépről bekapcsolás előtt távolítson el minden beállító kulcsot és csavarkulcsot. Egy a szerszámgép forgó alkatrészén maradt beállító kulcs vagy csavarkulcs személyi sérülést eredményezhet.
- Ne hajoljon ki túlságosan. Mindig tartson megfelelő testtartást és egyensúlyt. Ez a szerszámgép jobb irányítását teszi lehetővé váratlan szituációkban.
- Viseljen megfelelő ruházatot. Ne vegyen fel laza ruhát vagy ékszereket. A haját, a ruháit és a kesztyűjét tartsa távol a forgó alkatrészekről. A laza ruházat, ékszerek vagy a hosszú haj beakadhatnak a mozgó alkatrészekbe.
- Ha a gép el van látva porkivezető vagy -gyűjtő berendezésekhez való csatlakozási lehetőséggel, akkor ügyeljen rá, hogy ezeket csatlakoztassák és megfelelően használják. A porfogó használata csökkentheti a porral kapcsolatos veszélyeket.

A SZERSZÁMGÉP HASZNÁLATA ÉS KARBANTARTÁSA

- Ne erőltesse a terméket. A feladathoz a megfelelő szerszámgépet használja. A megfelelő szerszámgép jobb teljesítménnyel és sokkal biztonságosabban fog dolgozni olyan körülmények között, amilyenekre azt tervezték.
- Ne használja a szerszámgépet, ha a kapcsoló nem kapcsol be és ki. Bármilyen szerszámgép veszélyes, amit a kapcsolóval nem lehet irányítani, ezért azt meg kell javítani.
- Bármilyen beállítás, tartozékcsere elvégzése vagy a szerszámgép tárolása előtt húzza ki a

szerszámgépet a hálózatról és/vagy vegye ki az akkumulátort a szerszámgépből. Az ilyen megelőző biztonsági óvintézkedések csökkentik a szerszámgép véletlen bekapcsolódásának kockázatát.

- A használaton kívüli gépet gyerekek számára nem elérhető helyen tárolja, és ne hagyja, hogy a szerszámgépet vagy a kézikönyvet nem ismerő személyek használják a szerszámgépet. Gyakorlatlan felhasználók kezében a szerszámgépek veszélyesek.
- Tartsa megfelelő állapotban a szerszámgépeket. Ellenőrizze a mozgó alkatrészek akadását vagy helytelen beállítását, az alkatrészek törését és minden más körülményt, ami hatással lehet a szerszámgép működésére. Ha sérült, a szerszámgépet használat előtt meg kell javítani. Sok balesetet a rosszul karbantartott szerszámgépek okoznak.
- A vágószerszámok legyenek élesek és tiszták. A megfelelően karbantartott, éles vágóélű vágószerszámok kevésbé akadnak be és könnyebben irányíthatók.
- A szerszámgépet, a tartozékokat és a biteket stb. ezen utasításban leírtaknak megfelelően használja, figyelembe véve a munkakörülményeket és az elvégzendő feladatot. A szerszámgép rendeltetésétől eltérő műveletekre való használata veszélyes helyzeteket eredményezhet.

KARBANTARTÁS

- A szerszámgépet csak szakképzett szervizszakemberrel szervizeltesse, csak azonos cserealkatrészeket használva. Ez biztosítja, hogy a szerszámgép használata továbbra is biztonságos legyen.

TOVÁBBI BIZTONSÁGI FIGYELMEZTETÉSEK

- Egyes régiókban olyan előírások érvényesek, amelyek korlátozzák a termék bizonyos műveletekre való használatát. További információért forduljon a helyi önkormányzathoz.
- Ne hagyja, hogy gyerekek vagy a termék használatát nem ismerő felnőttek használják a terméket. A helyi előírások korlátozhatják a kezelő életkorát.
- Minden használat előtt ellenőrizze, hogy az összes kezelőszerv és biztonsági eszköz megfelelően működik. Ne használja a gépet, ha a főkapcsoló nem állítja le a motort.
- A termék működtetése közben viseljen teljes szem- és fülvédőt, erős munkakesztyűt valamint fejtámaszt, poros műveletek végzésekor viseljen arcmaszkot.
- Ne vegyen fel laza ruhát, rövidnadrágot, illetve semmilyen ékszert.
- Ha hosszú a haja, azt a vállvonal felett rögzítse, nehogy beakadjon valamilyen mozgó alkatrészbe.
- Fülvédő viseletekor csak korlátozottan hallja a figyelmeztetéseket (riasztást vagy kiáltást). A kezelőnek jobban oda kell figyelnie arra, hogy mi folyik a munkaterületen.
- Hasonló gépek egymás közelében történő használata





növeli a halláskárosodás veszélyét, valamint annak veszélyét, hogy más személyek lépnek be az Ön munkaterületére.

- Figyeljen a kivetett tárgyakra; a nézelődők, különösen a gyerekek és a háziállatok, legyenek legalább 15 m-es távolságra a használati területtől. Állítsa le a terméket, ha bárki belép a területre.
- Ne használja a gépet gyenge megvilágítás esetén. A kezelőnek tiszta rálátással kell rendelkeznie a munkaterületre, hogy azonosíthassa a potenciális veszélyeket.
- Stabílan álljon és vegyen fel megfelelő egyensúlyt. Ne hajoljon ki túlságosan. A túlzott kinyúlás egyensúlyvesztést eredményezhet és növelheti a visszarúgás kockázatát.
- Ne használja a terméket, ha fáradt, beteg vagy alkohol, gyógyszerek, illetve más tudatmódosítók hatása alatt áll.
- A testrészeit tartsa távol a mozgó alkatrészekről.
- Minden használat előtt vizsgálja át a gépet. Ellenőrizze az összes kezelőszerv megfelelő működését. Keressen megazult kötélemeket, ügyeljen rá, hogy minden a védőburkolat és fogantyú megfelelően fel legyen szerelve és rögzítve. Használat előtt cserélje ki az összes sérült alkatrészt.
- Semmilyen módon ne módosítsa a gépet vagy használjon a gyártó által nem ajánlott alkatrészeket és tartozékokat.
- Ne hagyja, hogy a termék mind alaposabb ismerete (a gyakori használat miatt) figyelmen kívül maradjon. Egy figyelmen kívül hagyás a másodperc törtrésze alatt súlyos sérüléseket okozhat.
- A fogantyúkat és a fogófelületeket tartsa szárazon, tisztán, olajtól és kenőzsírtól mentesen. A csúszós fogantyúk és fogófelületek nem teszik lehetővé a gép kezelését és irányítását egy váratlan helyzetben.

FIGYELMEZTETÉS

Ha a gép leesett, erős ütéset kapott vagy rendellenesen kezd vibrálni, azonnal állítsa le a gépet, és vizsgálja át sérülések tekintetében vagy azonosítsa a vibráció okát. Minden sérülést hivatalos szervizközpontban kell megjavíttatni vagy kicseréltetni.

ELEKTROMOS TÁPFEJRE SZERELÉS ESETÉN

- A készüléket egy 30 mA-nél nem nagyobb kioldóáramú áram-védőkapcsolóval (RCD) kell felszerelni.
- Ha hosszabbító kábelt kell használnia, ügyeljen arra, hogy az kültéri használatra alkalmas és a termék meghajtásához elégséges teljesítményű legyen. Sérülés tekintetében minden használat előtt vizsgálja meg. Használatkor mindig tekerje szét, mert a feltekert kábelek túlhevülhetnek.
- Ha a hálózati csatlakozókábel megsérült, a használat előtt ki kell cserélni.

ÁGAZÓFŰRÉSZ BIZTONSÁGI FIGYELMEZTETÉSEK

- Ne használja az ágazót vihar vagy villámlás lehetősége esetén. Biztonságosan és ne a szabadban tárolja az ágazót és a tápkábelt.
- Ügyeljen rá, hogy az összes védőburkolat és fogantyú megfelelően felszerelt és jó állapotú legyen.
- Ne kezdje meg a termék használatát, amíg meg nem tisztította a munkaterületet, nem vett fel stabil testtartást és nincs meg a tervezett menekülési útvonal az ágak vagy törzs dőlése esetére.
- Figyeljen a kenőanyagpára és a fűrészpor kibocsátására. Ha szükséges, viseljen maszkot vagy álarcot.
- Használat közben mindig két kézzel fogja az ágazót. Az egyik kezével erősen fogja meg az elülső fogantyút. A másik kezével fogja meg a hátsó fogantyút, és úgy használja a terméket.
- A szerszámgépet csak szigetelő fogófelületnél fogja, mert a fűrészlánc rejtett vezetékbe vághat. A fűrészlánc „élő” vezetékkel való érintkezése következtében a szerszám fém alkatrészei áram alá kerülhetnek, minek következtében a kezelőt áramütés érheti.
- Semmilyen módon ne módosítsa a terméket, illetve ne használja a termék gyártója által nem ajánlott más tartozékok vagy eszközök működtetésére.
- Az ágazóhoz heveder van mellékelve. Az ágazó működtetésekor használnia kell. Segítségére van az ágazó leesésének kezelésében a vágás befejezés után. Szintén segítségére van a gép súlyának támasztásában a használat és a vágási helyek közötti mozgás során.
- Keresse meg a gyorskioldó mechanizmust, és gyakorolja be a használatát, mielőtt elkezdené használni a gépet. A helyes használat megakadályozhatja a súlyos sérüléseket vészhelyzetben. Ne viseljen további ruházatot a hevederen felül, és ne korlátozza más módon a gyorskioldó mechanizmusoz való hozzáférést.
- A gép beindítása előtt ellenőrizze, hogy a fűrészlánc nem érintkezik semmilyen tárggyal.
- Egy nem megfelelően megfeszített lánc leugorhat a láncvezetőről, és súlyos sérülést vagy halált okozhat. Minden használat előtt és gyakran ellenőrizze, főleg ha új a lánc.
- A mozgó alkatrészek okozta sérülések kockázatának csökkentése érdekében, mindig állítsa le a terméket és húzza ki a hálózatból, hogy minden mozgó alkatrész leállhasson mielőtt:
 - tisztítás vagy eltömődés megszüntetése
 - a termék felügyelet nélkül hagyása
 - felszerelné vagy eltávolítaná a tartozékokat
 - ellenőrzi, karbantartja vagy dolgozik a gépen
- A szerszám megugorhat, ha a működő gép orr-része valamihez hozzáér, vagy ha a vágás során a láncvezető becsúszik a fába és megszorul. A hegy érintkezése a munkadarabval bizonyos esetekben egy hirtelen visszaható reakciót okozhat, ami a láncvezetőt felfelé és a kezelő irányába dobja. A fűrészlánc beszorulása a láncvezető felső részénél

EN
FR
DE
ES
IT
NL
PT
SV
FI
NO
RU
PL
CS
HU
RO
LV
LT
ET
HR
SL
SK
BG
UK





a láncvezetőt hirtelen a kezelő felé dobhatja. Ezen reakciók a gép irányításának elvesztését okozhatják, ami súlyos személyi sérülést eredményezhet. Ne hagyatkozzon kizárólag a készülékbe épített biztonsági berendezésekre. Az ágazó használójaként mindig úgy kell eljárnia, hogy a vágási munkálatok sérülés- és balesetmentesek legyenek. A visszarúgás a szerszám helytelen használatának és/vagy a nem megfelelő használati eljárások vagy körülmények eredménye, és megelőzhető a lent megadott utasítások betartásával:

- A meglepetés erejét csökkentheti vagy akár meg is szüntetheti, ha a megugrás jelenségének okát megérti. A meglepetésszerűség nagyban hozzájárul a balesetekhez.
- Bizonyosodjon meg arról, hogy a vágási területen nincs akadályozó tárgy. Ne hagyja, hogy a láncvezető orr-része ággal, a törzssel vagy bármilyen olyan akadállyal érintkezzen, amit eltárolhat a termék használata közben.
- Mindkét kezével erősen tartsa a terméket, és a testét és a kezeit úgy irányítsa, hogy lehetővé tegye a visszarúgáskor fellépő erőknél való ellenállást. A visszarúgási erőket a kezelő kontrollálhatja, ha betartja a megfelelő óvintézkedéseket. Ne hagyja, hogy az ágazófűrész elszabaduljon.
- Ne hajoljon ki túlságosan. Ezek segítenek megelőzni a hegy véletlen érintkezését és váratlan helyzetekben a termék jobb irányíthatóságát teszik lehetővé.
- Csak a gyártó által megadott csere láncvezetőt és láncot használjon. Nem megfelelő csere láncvezetők és láncok lánctörést és/vagy visszarúgást okozhatnak.
- A lánc biztonságos élezéséhez megfelelő gyakorlat szükséges. Ezért a gyártó kifejezetten javasolja, hogy az elkopott vagy életlen láncot egy újra cserélje le, amelyet egy hivatalos Ryobi szervizközpontban szerezhet be. Az alkatrészszám a kézikönyvnek a termék műszaki adatait ismertető részében található meg.
- Ne használja létrán vagy instabil állványon. Vágás közben álljon fél-terpesz állásban szilárd talajon. Ily módon elkerülheti, hogy elveszítsa az egyensúlyát munka közben.
- Az áramütés elkerülése végett felsővezetékek 10 méteres körzetében ne használja a gépet.
- Darabolja fel az ágakat. Ne működtesse a gépet veszélyes helyzetekben. Óvakodjon a lezuhanó vagy földre esés után visszacsapódó ágaktól.
- Különös óvatossággal járjon el, amikor gyökérhajtást vagy kis ágat vág, mivel a vékony részek beleakadhatnak a fűrészláncba, és nagy sebességgel repülhetnek szét az ön irányába is, illetve ki is billenthetik egyensúlyából.
- Amikor feszülő ágat fűrész, legyen mindig kész arra, hogy gyorsan el tudjon futni úgy, hogy ne üsse meg a visszacsapódó ág.
- Ha a vágási teljesítmény az idővel romlik, ellenőrizze a láncfogak élességét és tisztaságát. Ha szükséges, a gyártó ajánlása szerint cserélje ki az eredeti láncot (és vezetőt).

- Ha a lánc és a vezető becsípódik vagy beszorul a nehezen elérhető ágakba, a vágóeszközök biztonságos eltávolításához kérjen segítséget egy profi favágótól.

▲ FIGYELMEZTETÉS

Minden használat előtt és gyakrabban ellenőrizze, hogy a hosszabbító rúd és a szerszámon található összes tengelycsatlakozó erősen rögzítve van.

SZEMÉLYI VÉDELMI ESZKÖZÖK

A szakemberek által is használt jó minőségű személyi védelmi eszközök segítenek csökkenteni a kezelő sérülésének kockázatát. A következő eszközöket kell használni a termék működtetésekor:

Védősisak

- meg kell felelnie az EN 397 szabványnak, és CE jelöléssel kell rendelkeznie

Fülvédő

- meg kell felelnie az EN 352-1 szabványnak, és CE jelöléssel kell rendelkeznie

Szem- és arcvédő

- CE jelöléssel kell rendelkeznie és meg kell felelnie az EN 166 (a védőszemüvegek esetében) vagy az EN 1731 (hálós arcvédő esetében) szabványnak

Kesztyűk

- meg kell felelnie az EN 381-7 szabványnak, és CE jelöléssel kell rendelkeznie

Lábbeli

- meg kell felelnie az EN 20345 szabványnak, és CE jelöléssel kell rendelkeznie

HASZNÁLAT – GALLYAZÁS

- A munka megkezdése előtt mérje fel a fa és az ágak állapotát. Ha bármilyen jelét látja sérülésnek, rothadásnak vagy korhadásnak, ne kísérelje meg egyedül levágni. A sérült vagy korhadt ágak nagyon instabilak. Kérjen segítséget egy profi favágótól.
- Soha ne álljon a levágandó ág alá.
- A levágott ágak nem mindig egyenesen esnek a talajra. Ezeket más lombozat könnyen becsípheti és eltérítheti. Biztosítson és a vágás során tartson fenn egy biztonsági zónát, amely legalább kétszer akkora, mint a vágandó ág hossza. Ha ez nem lehetséges, kérjen segítséget egy profi favágótól.
- Biztosítsa, hogy a leeső ág ne legyen veszélyes saját magára, a bámészakodókra vagy az ingatlanra, beleértve a közüzemi kábeleket is.
- Ne működtesse a gépet úgy, hogy a rúd 60°-nál nagyobb szöveget zár be a vízszintessel.
- Ne működtesse az ágazót, ha a vágandó ág 10m-nél közelebb található az elektromos felsővezetékekhez.
- Ne erőltesse a terméket, hagyja, hogy a lánc a saját fordulatszámán tegye a dolgát.
- Ne próbálja túl közel vágni az ágat a fa törzséhez. A





vágás és a törzs között hagyjon legalább 15 cm-nyi távolságot.

- Fektesse a láncvezetőt a levágandó ágra, és nyomja finoman előre a fűrészt, hogy a bordázott útköz szintén érintkezzen az ággal. Ez segíteni fogja a stabilitást, a vágást és tisztább vágást is biztosít.
- A kis ágak, amelyek átmérője is kicsi és nem is nehezek, a láncvezető alsó részével egy vágással levághatók.
- A nagyobb átmérőjű és nehezebb ágak esetében, ahol az ág a vágás során letörhet vagy elrepedhet, először a láncvezető tetejének segítségével az ág alatt kell bevágni. Ezt a vágást körülbelül az ág harmadrészig végezze. Ezután hajtsa végre a második vágást az ág tetejéről a láncvezető aljával úgy, hogy találkozzon az első vágással.
- Fontolja meg nagy ágak kezelhetőbb részenkénti, és ne egyben való ágazását.
- Ne próbáljon újrakezdeni egy előző vágást, ha a lánc és a vezető a korábbi vágásban van. Mindig kezdjen új vágást. Ezzel csökkenti a visszarúgás és a potenciális sérülés kockázatát.

SZÁLLÍTÁS ÉS TÁROLÁS

BENZINES TÁPFEJRE SZERELÉS ESETÉN

- Szállítás és tárolás előtt állítsa le és hagyja lehűlni a terméket.
- Minden idegen anyagtól tisztítsa meg a terméket.
- Hosszú időre (egy vagy több hónap) való eltároláskor ügyeljen rá, hogy a lánc kissé meg legyen kenve, mert ez megakadályozza a rozsdá kialakulását. A gyártó Ryobi lánc és láncvezető kenőanyag használatát javasolja, amelyek a Ryobi hivatalos szervizközpontban szerezhetőek be.
- A gép tárolásakor vagy szállításkor helyezze fel a láncvezetőre a védőtokot.
- Öntse az üzemanyagtartályban található összes benzint egy homologizált benzines marmonkannába. Ne feledje helyesen visszarakni és meghúzni az üzemanyagsapkát.
- Ha van, engedje le a tartályból az összes kenőanyagot egy erre a célra jóváhagyott edénybe. Ne feledje el helyesen visszarakni a kenősapkát.
- Járassa a motort, amíg le nem áll. Így eltávolítja az összes üzemanyagot, ami egy idő után beszáradna és lakk, illetve ragacsréteget hagyna maga után az üzemanyagrendszerben.
- Hűvös, száraz és jól szellőztetett, gyerekektől elzárt helyiségben tárolja. Ne tárolja olyan oxidálószerrel közelében, mint pl. kerti munkáknál használatos vegyszerek vagy jégmentesítő sók.
- Ne tárolja a szabadban.
- Szállításkor rögzítse a terméket elmozdulás és leesés ellen, hogy elkerülje a sérüléseket és a termék sérülését.
- Ne szállítsa a terméket működő állapotban.
- Az üzemanyag tárolása és kezelése tekintetében lásd a megfelelő országos és helyi rendeleteket.

RÖVID IDEJŰ TÁROLÁS

- Szállítás és tárolás előtt állítsa le és hagyja lehűlni a gépet.
- Minden idegen anyagtól tisztítsa meg a terméket.
- A gép tárolásakor vagy szállításkor helyezze fel a késvédő burkolatot a késrre.
- Hűvös, száraz és jól szellőztetett, gyerekektől elzárt helyiségben tárolja.
- Ne tárolja olyan oxidálószerrel közelében, mint pl. kerti munkáknál használatos vegyszerek vagy jégmentesítő sók.
- Ne tárolja a szabadban.

ELEKTROMOS TÁPFEJRE SZERELÉS ESETÉN

- Állítsa le a terméket, válassza le a tápellátásról és tekerje fel a kábelt. Hagyja lehűlni a motort.
- Minden idegen anyagtól tisztítsa meg a terméket. Hűvös, száraz és jól szellőztetett, gyerekektől elzárt helyiségben tárolja. Ne tárolja olyan oxidálószerrel közelében, mint pl. kerti munkáknál használatos vegyszerek vagy jégmentesítő sók. Ne tárolja a szabadban.
- Hosszú időre (egy vagy több hónap) való eltároláskor ügyeljen rá, hogy a lánc kissé meg legyen kenve, mert ez megakadályozza a rozsdá kialakulását. A gyártó Ryobi lánc és láncvezető kenőanyag használatát javasolja, amelyek a Ryobi hivatalos szervizközpontban szerezhetőek be.
- A gép tárolásakor vagy szállításkor helyezze fel a láncvezetőre a védőtokot.
- Szállításkor rögzítse a gépet elmozdulás és leesés ellen, hogy elkerülje a sérüléseket és az anyagi kárt.

KARBANTARTÁS

▲ FIGYELMEZTETÉS

Csak a gyártó eredeti cserealkatrészeit, tartozékait és szereléseit használja. Ennek figyelmen kívül hagyása gyenge motorteljesítményt, esetleges sérülést és a jótállás elvesztését okozhatja.

▲ FIGYELMEZTETÉS

szervizelés különös figyelmet és hozzáértést igényel, és csak szakképzett szerelő végezheti el. Javasoljuk, hogy a szervizeléskor a terméket vigye a legközelebbi hivatalos szervizközpontba javítás céljából. Szervizeléskor csak azonos cserealkatrészeket használjon.

▲ FIGYELMEZTETÉS

A lánc nagyon éles. A személyi sérülés megelőzése érdekében legyen különösen óvatos a lánc védőtok tisztításakor, fel- és leszerelésakor és a lánc karbantartásakor mindig viseljen védőkesztyűt.



▲ FIGYELMEZTETÉS

A lánc helytelen karbantartása növeli a visszarúgás kockázatát. Ha a sérült láncot nem cseréli ki, vagy nem javíttatja meg, súlyos testi sérülésekkel járó balesetnek teszi ki magát.

- Kapcsolja ki és/vagy válassza le a terméket a tápellátásról, és bármilyen karbantartási vagy tisztítási munkát előtt győződjön meg arról, hogy minden mozgó alkatrész teljesen leállt.
- A használati útmutatóban leírt beállításokat és javításokat Ön is elvégezheti. Az egyéb javításokhoz vegye fel a kapcsolatot a hivatalos szervizzel.
- Tartsa be a kenésre, és a láncfeszesség ellenőrzésre és a beállításra vonatkozó utasításokat.
- Minden egyes használat után egy puha, száraz ruhával tisztítsa meg a termék házát és fogantyúit.
- Gyakori időközönként ellenőrizze a csavaranyák, csavarok és fejescsavarok megfelelő meghúzását, hogy a termék biztonságos üzemi állapotban legyen. A sérült alkatrészeket egy hivatalos szervizközpontban kell megjavíttatni vagy kicseréltetni.

Karbantartási ütemterv

Napi ellenőrzés	
Láncvezető kenőanyag	Minden használat előtt
Láncfeszesség	Minden használat előtt és rendszeresen
Lánc élessége	Minden használat előtt, vizuális ellenőrzés
Sérült alkatrészek	Minden használat előtt
Meglazult csavarok	Minden használat előtt
Üzemanyag-keverék, vagy üzemanyag és kenőanyag (csak benzinüzemű motorok esetében)	Minden használat előtt
A tengelykapcsoló kapcsolódása (csak benzinüzemű meghajtóegység esetén) (nincs láncmozgás alaplárton)	Minden használat előtt
A csatlakozókábel épsége (csak elektromos meghajtóegység esetén)	Minden használat előtt

FENNMARADÓ KOCKÁZAT

Még a termék rendeltetésszerű használata esetén sem lehet teljesen kiküszöbölni minden kockázati tényezőt. A gép használata során a következő veszélyek merülhetnek fel, és a kezelőnek különösen oda kell figyelnie az alábbiak elkerülésére:

- A vibráció sérüléseket okozhat. Mindig a munkához

megfelelő célszerszámot használja, használja a gépre szerelt fogantyúkat, és korlátozza a munkaidőt és a vibrációnak való kitettséget.

- A zajnak való kitettség halláskárosodást okozhat. Viseljen hallásvédőt és korlátozza a zajnak való kitettséget.
- Érintkezés a fűrészlánc szabadon maradt fogaival (vágásveszély).
- A láncvezető előre nem látható, hirtelen mozgása vagy visszarúgása (vágásveszély).
- Alkatrészek kiesése a fűrészláncból (vágás-/sérülésveszély)
- A fadarabból kibobott részek (faforgács, szilánkok).
- Fűrészpör és részecskék belélegzése.
- A bőr érintkezése a kenőanyaggal/olajjal.

KOCKÁZATCSÖKKENTÉS

Arról számoltak be, hogy a kéziszerszámok használata során fellépő vibráció bizonyos személyeknél hozzájárulhat az úgynevezett Raynaud-szindróma (Raynaud's Syndrome) nevű állapot kialakulásához. A tünetei lehetnek: az ujjak zsibbadása, elfehéredése, szúrások érzése, amelyek hidegnek kitéve gyakran felerősödnek. Az örökítő tényezők, a hidegnek kitettség és verejtékezés, a diéta, a dohányzás és munka közben alkalmazott fogások valószínűleg mind hozzájárulhatnak ezen tünetek megjelenéséhez. A vibráció hatásainak csökkentése érdekében a kezelőnek be kell tartani az alábbi óvintézkedéseket:

- Hideg időben tartsa melegen a testét. A gép használatakor viseljen kesztyűt a kéz és a csukló melegen tartásához. Arról számoltak be, hogy a hideg időjárásnak fontos szerepe van a Raynaud-szindróma kialakulásában.
- Bizonyos időtartamú használat után mindig végezzen gyakorlatokat a vérkeringés javításához.
- Gyakran tartson munkaszünetet. Korlátozza a napi munkaidőt.

Ha ezen állapot bármelyik tünetét tapasztalja, azonnal hagyja abba a munkát, és tájékoztassa az orvosát a tünetekről.

▲ FIGYELMEZTETÉS

Sérülést okozhatnak, vagy súlyosbított, a hosszan tartó használata egy eszköz. Ha a gépet hosszú időn át kell használnia, tartson gyakran szünetet.

ISMERJE MEG A TERMÉKET

Lásd 175. oldal.

1. Fűrészlánc
2. Láncvezető
3. Hatlapfeji anyát
4. Fogaskerék fedele
5. Védőtök
6. Olajsapka
7. Rövid acélcső
8. Szerelék akasztója

SZIMBÓLUMOK A TERMÉKEN



Biztonsági figyelmeztetés



A termék használata előtt olvassa el és értse meg a kezelési útmutatóban leírtakat, és tartsa be az összes figyelmeztető és biztonsági utasítást.



Viseljen szem-, fül- és fejdédőt.



A termék használata közben csúszásmentes biztonsági lábbelit viseljen.



Viseljen nem csúszós, nehéz igénybevételre tervezett kesztyűt.



Ne tegye ki esőnek, és ne használja nedves környezetben.



Áramütés veszély, legalább 10 méteres távolság az elektromos felsővezetésektől



Figyeljen a kivetett vagy repülő tárgyakra. Az összes nézelődő, különösen a gyerekek és a háziállatok, legyenek legalább 15 m-es távolságra a használati területtől.



A termék használata előtt mindig távolítsa el a láncvezető tokot.



Láncvezető és lánc kenőanyag



A lánc mozgásiránya



Ez a szerszám minden, a vásárlás európai uniós országában hatályos szabványnak megfelel.



Eurázsiai megfelelési jelzés



A kiselejtezett elektromos termékeket nem szabad a háztartási hulladékkal együtt kidobni. Ezeket újra kell hasznosítani, ha van rá lehetőség. Az újrahasznosítással kapcsolatban érdeklődjön a helyi önkormányzatnál vagy a termék forgalmazójánál.



Ukrainai megfelelési nyilatkozat

⚠ VESZÉLY

Egy bekövetkező veszélyes helyzetet jelez, ami, ha nem előzik meg, halált vagy komoly sérülést eredményez.

⚠ FIGYELMEZTETÉS

Egy potenciálisan bekövetkező veszélyes helyzetet jelez, ami, ha nem előznek meg, halált vagy komoly sérülést eredményezhet.

⚠ FIGYELEMFELHÍVÁS

Egy potenciálisan veszélyes helyzetet jelez, ami, ha nem előzik meg, kisebb vagy mérsékelt sérülést eredményezhet.

FIGYELEMFELHÍVÁS

Biztonsági figyelmeztető szimbólum nélkül

Egy olyan helyzetet jelez, ami anyagi kárt eredményezhet.

A következő jelölőszavak és jelentések arra szolgálnak, hogy megmagyarázzák a termékkel kapcsolatos veszélyességi szinteket.

Siguranța, performanța și fiabilitatea au avut prioritate la proiectarea accesoriului pentru tăierea crengilor.

UTILIZARE PREVĂZUTĂ

Această accesoriului pentru tăierea crengilor este aprobată pentru a fi utilizată cu capetele de antrenare Ryobi/Homelite cu motor pe benzină de cel mult 30 cc sau cu capul de antrenare cu motor electric RPH1200, RLT12381, RBC12261.

Sulfanta poate fi utilizată doar de persoane adulte care au citit și au înțeles instrucțiunile și avertismentele din acest manual și pot fi considerate responsabile pentru acțiunile proprii. Acest produs este destinat numai pentru utilizare în aer liber. Din motive de siguranță, produsul trebuie manevrat corespunzător, cu ambele mâini.

Produsul este proiectat pentru tăierea crengilor și ramurilor mici a căror diametru este mai mic sau egal cu lungimea barei, ce se află în partea de sus a copacului în timp ce operatorul menține o poziție fermă la sol. Produsul este proiectat să fie extins la o lungime maximă de 2.6 metri. Nu depășiți această lungime de lucru.

Acesta nu este destinat să fie utilizat pentru lucrul la înălțime sau ca ferăstrău cu lanț convențional pentru tăierea și curățarea de aproape a crengilor la nivelul solului.

⚠️ AVERTISMENT

Atunci când utilizează produsul, normele de siguranță trebuie să fie respectate. Pentru siguranța dumneavoastră și a trecătorilor, vă rugăm să citiți aceste instrucțiuni înainte de utilizarea produsului. Vă rugăm să păstrați instrucțiunile într-un loc sigur pentru utilizare ulterioară.

⚠️ AVERTISMENT

Produsul nu este destinat pentru folosire cu capuri motor pe benzină ajutate de mână de bicicletă.

AVERTISMENTE GENERALE PRIVIND SIGURANȚA

ÎN SITUAȚIA ASAMBLĂRII PE UN CAP DE ANTRENARE CU MOTOR PE BENZINĂ

- Pentru utilizare în siguranță, citiți și înțelegeți toate instrucțiunile înainte de a utiliza produsul. Urmați toate instrucțiunile de siguranță. Nerespectarea uneia dintre aceste măsuri poate provoca răni corporale grave.
- Nu porniți sau lăsați motorul să funcționeze în interiorul unei zone închise sau slab ventilate; respirarea gazelor de eșapament poate cauza moartea.
- Nu atingeți zonele din jurul evacuării și chiulasei echipamentului, deoarece acestea se încălzesc puternic în timpul funcționării.
- Opriti întotdeauna motorul înainte de a face reglaje. Lăsați mașina să se răcească înainte de a face orice inspecție, reglaje etc.
- Nu fumați când amestecați combustibilul sau când umpleți rezervorul de combustibil.

- Amestecați și depozitați combustibilul într-un container aprobat pentru combustibil.
- Amestecați carburantul în aer liber, departe de orice scântee sau flacără. Ștergeți carburantul vărsat. Îndepărtați-vă 9 m (30 ft) de zona de alimentare înainte de a porni motorul.
- Opriti motorul și lăsați-l să se răcească înainte de realimentare sau de depozitarea unității.
- Lăsați motorul să se răcească; goliiți rezervorul de combustibil și rezervorul de ulei (dacă este cazul) și împiedicați unitatea să se miște, înainte de a o transporta într-un vehicul.

⚠️ AVERTISMENT

Când trăgaciul de putere este eliberat și motorul funcționează la relanti, accesoriul de tăiere sau lanțul nu trebuie să se rotească. Dacă continuă să se miște există risc de vătămare gravă a operatorului. Nu folosiți mașina. Returnați-o la un centru service autorizat pentru o reglare profesională.

ÎN SITUAȚIA ASAMBLĂRII PE UN CAP DE ANTRENARE CU MOTOR ELECTRIC

⚠️ AVERTISMENT

Citiți toate avertismentele și instrucțiunile de siguranță. Nerespectarea acestor avertismente și instrucțiuni poate conduce la șocuri electrice, incendii și/sau accidente grave.

Păstrați aceste avertismente și instrucțiuni, pentru a le putea consulta ulterior.

Termenul de "unealtă electrică" folosit în avertismente se referă la uneltele electrice alimentate de la rețea (cu cablu) sau cu acumulator (fără cablu).

MEDIUL DE LUCRU

- **Mențineți curată și bine iluminată zona de lucru.** Zonele dezordonate și întunecate prezintă pericol de accidente.
- **Nu operați cu unealta electrică în atmosfere explozive, precum în prezența lichidelor, gazelor sau a prafului inflamabil(e).** Unelele electrice creează scântee care pot aprinde praful sau vaporii.
- **Țineți copiii și persoanele din jur la distanță în timpul operării unei unelte electrice.** Distragerea atenției vă poate face să pierdeți controlul.

SIGURANȚĂ ELECTRICĂ

- **Ștecărele uneltelor electrice trebuie să se potrivească cu priza. Nu modificați niciodată ștecărul în nici un fel. Nu folosiți niciodată adaptoare de ștecăr cu uneltele electrice cu împământare.** Ștecărele nemodificate și prizele potrivite reduc riscul de electrocutare.
- **Evitați contactul corpului cu suprafețele conectate la împământare, precum țevi, radiatoare, reșouri, mașini de gătit și frigider.** Există un risc crescut de electrocutare când corpul dumneavoastră are contact



cu împământarea.

- **Nu expuneți produsul la ploaie sau condiții de umiditate.** Apa care intră într-o unealtă electrică va crește riscul de electrocutare.
- **Nu forțați cablul. Nu trageți niciodată unealta electrică de cablul de alimentare pentru a o transporta, a o trage sau a scoate ștecărul din priză. Țineți cablul de alimentare departe de căldură, ulei, muchii ascuțite sau piese în mișcare.** Cablurile deteriorate sau încurcate cresc riscul de electrocutare.
- **Atunci când lucrați cu o unealtă electrică în aer liber, folosiți un prelungitor adecvat pentru utilizarea în aer liber.** Folosirea unui prelungitor adecvat pentru utilizarea în aer liber reduce riscul de electrocutare.
- **În cazul în care operarea unei unelte electrice într-o zonă umedă nu poate fi evitată, folosiți o alimentare protejată cu un dispozitiv de curent rezidual (RCD).** Utilizarea unui RCD reduce riscul de electrocutare.

SIGURANȚĂ PERSONALĂ

- **Fiți vigilenți, fiți atenți la ceea ce faceți, acționați cu simț practic când operați o unealtă electrică. Nu folosiți unealta electrică în timp ce sunteți obosit sau sub influența drogurilor, a alcoolului sau a medicamentelor.** Un moment de neatenție în timpul operării uneltelor electrice poate cauza vătămare personală gravă.
- **Utilizați echipament personal de protecție. Purtați întotdeauna ochelari de protecție.** Echipamentele de protecție, precum masca de praf, încălțămîntea de protecție antiderapantă, casca sau protecția auditivă, folosite în condiții adecvate, vor reduce riscul rănilor.
- **Prevenirea pornirii neintenționate. Asigurați-vă că comutatorul este în poziția oprit înainte deconectarea la sursa de alimentare și / sau la acumulator, ridicarea sau transportul uneltei.** Transportarea uneltelor electrice cu degetul pe comutator sau punerea sub tensiune a uneltelor electrice care au comutatorul în poziția pornit predispune la accidente.
- **Îndepărtați orice cheie de reglare înainte de a porni unealta.** O cheie sau rămasă atașată de o piesă rotativă a uneltei electrice poate cauza vătămări corporale.
- **Nu vă aplecați excesiv. În timpul operării dispozitivului, păstrați-vă în permanentă echilibrul și stabilitatea.** Acest lucru permite un mai bun control al uneltei electrice în situații neașteptate.
- **Îmbrăcați-vă corespunzător. Nu purtați haine largi sau bijuterii. Mențineți părul, hainele și mănușile departe de piesele în mișcare.** Hainele largi, bijuteriile sau părul lung pot fi prinse de piesele aflate în mișcare.
- **Dacă sunt prevăzute dispozitive pentru conectarea facilităților de extracție și de colectare a prafului, asigurați-vă că acestea sunt conectate și folosite corect.** Utilizarea colectării prafului poate reduce riscurile legate de praf.

FOLOSIREA ȘI ÎNTREȚINEREA UNELTEI ELECTRICE

- **Nu forțați produsul. Folosiți unealta electrică corectă pentru aplicație.** Unealta electrică corectă va funcționa mai bine și mai sigur la viteza pentru care a

fost proiectată.

- **Nu folosiți unealta electrică dacă comutatorul nu o poate porni și opri.** Orice unealtă electrică, care nu poate fi controlată cu comutatorul este periculoasă și trebuie reparată.
- **Deconectați ștecărul de la sursa de alimentare și / sau acumulatorul de la unealta electrică înainte de a efectua orice reglaje, a schimba accesorii sau de a stoca uneltele electrice.** Astfel de măsuri preventive de siguranță reduc riscul de pornire accidentală a uneltei electrice.
- **Nu lăsați uneltele electrice la îndemâna copiilor și nu permiteți persoanelor nefamiliarizate cu unealta electrică sau cu aceste instrucțiuni să folosească unealta.** Uneltele electrice sunt periculoase în mâinile utilizatorilor neinstruiți.
- **Întrețineți uneltele electrice. Verificați alinierea sau lipirea pieselor în mișcare, spargerea pieselor, precum și orice altă stare care poate afecta funcționarea uneltei electrice. Dacă este deteriorată, solicitați repararea uneltei înainte de utilizare.** Multe accidente sunt cauzate de unelte electrice întreținute necorespunzător.
- **Păstrați uneltele de tăiere ascuțite și curate.** Uneltele de tăiere corect întreținute, cu muchii de tăiere ascuțite au o probabilitate mai redusă de lipire și sunt mai ușor de controlat.
- **Folosiți unealta electrică, accesoriile și burghiile etc. în conformitate cu aceste instrucțiuni, ținând cont de condițiile de lucru și de lucrarea care urmează să fie efectuată.** Utilizarea uneltei electrice pentru alte operații decât cele preconizate poate duce la situații periculoase.

ÎNTREȚINERE

- **Solicitați efectuarea lucrărilor de service la unealta dvs. electrică numai de către o persoană calificată în reparații, folosind numai piese de schimb identice.** Acest lucru va garanta că siguranța uneltei electrice este menținută.

AVERTIZĂRI SUPLIMENTARE DE SIGURANȚĂ

- Unele regiuni au reglementări care restricționează utilizarea produsului la unele operațiuni. Pentru sfaturi întrebați autoritățile dvs. locale.
- Nu permiteți niciodată copiilor sau persoanelor care nu sunt familiarizate cu aceste instrucțiuni să utilizeze produsul. Reglementările locale pot restricționa vârsta operatorului.
- Asigurați-vă că înainte de fiecare folosire toate funcțiile de control și dispozitivele de siguranță funcționează corect. Nu folosiți produsul dacă întrerupătorul "oprit" nu oprește motorul.
- Purtați protecție completă pentru ochi și pentru auz, mănuși rezistente și puternice precum și protecție a auzului atunci când operați produsul; folosiți o mască de față dacă operațiunea implică praf.
- Nu purtați haine largi, pantaloni scurți sau bijuterii de niciun fel.
- Prindeți părul lung deasupra umerilor pentru a preveni

EN
FR
DE
ES
IT
NL
PT
DA
SV
FI
NO
RU
CS
PL
SK
HU
RO
LV
LT
ET
HR
SL
SK
BG
UK





prinderea lui de părțile în mișcare.

- Utilizarea antifoanelor reduce capacitatea de auzi avertismente (alarme sau strigăte). Operatorul trebuie să fie foarte atent la ceea ce se întâmplă în zona de lucru.
- Operarea de aparate similare în vecinătate crește atât riscul unei deteriorări a auzului cât și posibilitatea ca alte persoane să intre în zona dvs. de lucru.
- Fiți atent la obiectele aruncate, mențineți toți trecătorii, copiii și animalele de companie la cel puțin 15 metri de zona de lucru. Oprțiți produsul dacă cineva intră în zonă.
- Nu utilizați în condiții de iluminare necorespunzătoare. Operatorul necesită o panoramă clară a zonei de lucru pentru identificarea potențialelor pericole.
- Mențineți sprijin ferm pe picioare și echilibru. Nu vă aplecați excesiv. Întinderea prea lungă poate rezulta în pierderea echilibrului și poate crește risc de recul.
- Nu operați acest produs atunci când sunteți obosit, bolnav sau sub influența alcoolului, drogurilor sau a medicamentelor.
- Țineți toate părțile corpului la distanță de orice piesă în mișcare.
- Inspectați aparatul înainte de fiecare folosire. Verificați operarea corectă a tuturor comenzilor. Verificați să nu existe cleme slăbite, asigurați-vă că toate apărătorile și mânerul sunt corespunzător și fix prinse. Înlocuiți toate piesele deteriorate înainte de utilizare.
- Nu modificați mașina în niciun fel sau să folosiți părți și accesorii ce nu sunt recomandate de către producător.
- Nu permiteți rutinei (care intervine prin utilizarea frecventă a unelei dvs.) să provoace o greșeală de neatenție. O acțiune neatență poate cauza vătămarea gravă într-o fracțiune de secundă.
- Țineți mânerul și suprafețele de apucare uscate, curate, fără ulei sau grăsimi. Mânerul alunecoase și suprafețele neregulate nu permit o manipulare sigură și un control al aparatului în situații neașteptate.

⚠ AVERTISMENT

Dacă produsul este scăpat, suferă un impact dur sau începe să vibreze anormal, oprțiți imediat produsul și inspectați dacă este deteriorat sau identificați cauza vibrației. Orice deteriorare trebuie reparată corespunzător sau înlocuită la un centru service autorizat.

ÎN SITUAȚIA ASAMBLĂRII PE UN CAP DE ANTRENARE CU MOTOR ELECTRIC

- Energia electrică trebuie să fie furnizată printr-un dispozitiv pentru curent rezidual (RCD) cu un curent de declanșare de nu mai mult de 30 mA.
- Dacă trebuie să folosiți un cablu prelungitor, asigurați-vă că este potrivit pentru uzul exterior și are o capacitate suficientă de curent pentru a alimenta produsul Dvs. Verificați înainte de fiecare folosire să nu fie deteriorat. Desfășurați întotdeauna cablul în timpul folosirii întrucât cablurile nedesfășurate se pot supraîncălzi.
- În cazul în care cablul de alimentare este deteriorat, acesta trebuie înlocuit înainte de utilizare.

AVERTIZĂRI DE SIGURANȚĂ ASUPRA APARATULUI DE TĂIAT CRENGI.

- Nu folosiți niciodată aparatul de tăiat crengi atunci când există posibilitatea unei furtuni sau de fulgere. Depozitați în siguranță în spațiu interior aparatul de tăiat crengi și cablurile.
- Asigurați-vă că toate apărătorile și mânerul sunt corespunzător fixate și că se află în stare bună.
- Nu începeți să folosiți produsul până când nu aveți o zonă de lucru liberă, o poziție sigură a picioarelor și o cale de retragere ferită de ramurile sau crengile în cădere.
- Fiți atent la emisiile de gaze de lubrifiere și pulberea ferăstrăului. Purtați mască de protecție a respirației dacă e necesar.
- Țineți întotdeauna aparatul de tăiat crengi cu ambele mâini atunci când îl operați. Folosiți o mână pentru o apucare fermă a mânerului frontal. Prindeți mânerul posterior cu cealaltă mână și utilizați produsul.
- Țineți scula de putere doar de suprafața de prindere izolată, întrucât ferăstrăul ar putea intra în contact cu fire electrice ascunse. Ferăstraiele cu lanț ce vin în contact cu fire electrice sub tensiune ar putea face expuse piesele de metal ale sculei electrice "la tensiune" și poate electrocuta operatorul.
- Nu modificați produsul dvs. în niciun fel pentru a alimenta orice accesorii sau dispozitive nerecomandate de producătorul acestui produs.
- Aparatul dvs de tăiat crengi este furnizat cu ham. Trebuie să-l folosiți în timp ce operați aparatul de tăiat crengi. Vă va asista să controlați căderea crengii după ce tăierea este finalizată. De asemenea va ajuta să sprijine greutatea aparatului în timpul folosirii și în timp ce vă mutați în poziția de tăiere a crengilor.
- Identificați mecanismul de eliberare rapidă și faceți câteva probe înainte de a folosi aparatul. Folosirea corespunzătoare poate preveni vătămarea gravă în cazul unei urgențe. Nu purtați niciodată haine suplimentare peste centură sau în altfel să restricționați accesul la mecanismul de eliberare rapidă.
- Înainte de a porni echipamentul, asigurați-vă că ferăstrăul nu vine în contact cu niciun obiect.
- Un lanț incorect tensionat poate să sară de pe bara de ghidare și poate cauza vătămarea gravă sau deces. Verificați înainte de fiecare folosire și frecvent, în special un lanț nou.
- Pentru a reduce riscul de rănire asociat cu piesele în mișcare, oprțiți întotdeauna produsul și deconectați de la alimentarea electrică (dacă este cazul), mai întâi asigurați-vă că toate piesele în mișcare s-au oprit.
 - curățarea sau eliminarea unui blocaj
 - lăsarea produsului fără supraveghere
 - instalarea sau îndepărtarea atașamentelor/ accesorilor
 - verificarea, întreținerea sau lucrul cu mașina
- Se poate produce un recul dacă extremitatea ghidului lanțului intră în contact cu un obiect sau dacă lanțul ferăstrăului se agață și se blochează în lemn în timpul tăierii. Contactul cu vârful în anumite cazuri poate cauza





o reacție bruscă înapoi, ridicarea/bascularea barei de ghidare și darea înapoi înspre operator. Agățarea lanțului de ferăstrău de-a lungul părții superioare a lamei de ghidare poate împinge lama de ghidare rapid înapoi spre operator. Oricare din aceste reacții poate cauza pierderea controlului aparatului ce poate rezulta în vătămare personală gravă. n Nu vă bazați doar pe dispozitivele de siguranță integrate în mașină. Ca și utilizator al aparatului de tăiat crengi, trebuie să luați câteva măsuri pentru a menține operațiunea de tăiere ferită de accidente sau vătămări. Reculul este rezultatul folosirii incorecte și/sau procedurii sau condițiilor incorecte de operare a sculei și poate fi evitat luând măsurile de precauție corecte așa cum sunt date mai jos:

- Puteți reduce sau suprima efectul de surpriză înțelegând principiul general al reculului. Efectul de surpriză contribuie la accidente.
- Asigurați-vă că zona în care utilizați ferăstrăul cu lanț nu conține obstacole. Nu lăsați capul barei de ghidare să vină în contact cu creanga, ramura sau orice alt obstacol în timp ce operați aparatul.
- Mențineți o prindere fermă cu ambele mâini a aparatului și poziționați-vă corpul și brațele pentru a vă permite să rezistați forțelor de recul. Forețele de recul pot fi controlate de operator, dacă măsurile de precauție corespunzătoare sunt luate. Nu lăsați niciodată din mâini aparatul de tăiat crengi.
- Nu vă aplecați excesiv. Acest lucru ajută la prevenirea contactului neintenționat cu vârful și permite un mai bun control al produsului în situații neașteptate.
- Folosiți doar bară de schimb și lanțuri specificate de către producător. Bările de schimb și lanțurile necorespunzătoare pot cauza ruperea lanțului și/sau recul.
- Ascutirea lanțului în siguranță este o sarcină expertă. De aceea producătorul recomandă puternic ca un lanț bont sau uzat să fie înlocuit cu unul nou, disponibil la centrul dvs de service autorizat Ryobi. Numărul de piese/părți este disponibil în tabelul cu specificații ale produsului din acest manual.
- Nu folosiți o scară sau suport instabil. Țineți-vă întotdeauna bine pe picioare pe un sol ferm atunci când tăiați. Evitați astfel să vă pierdeți echilibrul în timpul tăierii.
- Pentru a vă proteja de electrocutare, nu operați produsul în la mai puțin de 10 de firele de tensiune de deasupra.
- Scoateți crengile pe secțiuni. Nu utilizați în poziții periculoase. Fiți atent la crengile care cad sau la cele care sar înapoi după ce lovesc solul.
- Fiți foarte prudent atunci când tăiați lăstari sau ramuri de mici dimensiuni deoarece elementele fine se pot agăța în lanțul ferăstrăului și să fie proiectate spre dumneavoastră sau să vă dezechilibreze.
- Atunci când tăiați o ramură sub tensiune, fiți pregătit să vă îndepărtați repede pentru a evita să fiți lovit atunci când tensiunea din fibrele lemnului este eliberată.
- Dacă execuția tăierii se deteriorează în timp, verificați ca dinții lanțului să fie ascuțiți și curățați. Dacă e

necesar, înlocuiți lanțul original (și bara) așa cum este recomandat de către producător.

- Dacă lanțul sau bara sunt prinse sau blocate în ramură prea sus ca să ajungeți, cereți sfatul unui specialist profesionist în privința îndepărtării în siguranță a mijloacelor de tăiere.

⚠ AVERTISMENT

Verificați ca toate cuplajele axului de pe stâlpul telescopic și aparat sunt prinse fix înainte de fiecare folosire și la intervale frecvente.

ECHIPAMENT PERSONAL DE PROTECȚIE.

Echipamentul personal de protecție de o bună calitate ca cel folosit de profesioniști va ajuta la reducerea riscului de vătămare a operatorului. Următoarele articole trebuie să fie folosite când operați produsul.

Cască de protecție

- trebuie să fie în conformitate cu EN 397 și marcată CE

Protecție a auzului

- trebuie să fie în conformitate cu EN 352-1 și marcată CE

Protecția ochilor și a feței

- trebuie să fie marcată CE și să fie în conformitate cu EN 166 (pentru ochelarii de protecție) sau EN 1731 (pentru viziere)

Mănuși

- trebuie să fie în conformitate cu EN 381-7 și marcată CE

Încălțăminte

- trebuie să fie în conformitate cu EN 20345 și marcată CE

OPERAȚIUNE - TĂIERE CRENGI

- Studiați starea copacului și a crengilor înainte de a începe lucrul. Dacă există semne de degradare, putrezire sau descompunere nu încercați dvs să tăiați crengile. Crengile degradate sau putrezite sunt foarte instabile. Cereți sprijinul unui arboricultor profesionist.
- Nu stați niciodată sub ramura căreia îi tăiați crengile.
- Crengile tăiate nu cad întotdeauna ordonat la sol. Ele sunt ușor prinse și deviate de alte frunze. Asigurați-vă ca o zonă de siguranță de cel puțin două ori lungimea ramului ce trebuie tăiat este disponibilă și menținută în timpul tăierii crengilor. Dacă acest lucru nu este posibil, cereți sfatul unui arboricultor profesionist.
- Asigurați-vă că ramura în cădere nu este un pericol pentru dvs, trecători sau proprietate incluzând cablurile de utilități publice.
- Nu operați niciodată aparatul cu stâlpul la un unghi mai mare de 60 de grade de orizontală.
- Nu operați niciodată aparatul de tăiat crengi cu mijloacele de tăiere mai aproape de 10m de firele de





înalță tensiune deasupra.

- Nu forțați produsul, lăsați lanțul să-și facă treaba la propria lui viteză.
- Nu încercați să tăiați ramura prea apropiat de trunchiul copacului. Lăsați cam 15 cm între trunchiul copacului și tăietură.
- Așezați bara ferăstrăului de ramura ce vine tăiată și împingeți ușor înspre înainte ferăstrăul în așa fel încât amortizorul cu nervuri să vină de asemenea în contact cu creanga. Acest lucru va ajuta la stabilitate, tăiere și va asigura tăieri curate.
- Crengile mici ce sunt atât subțiri în diametru cât și ușoare pot fi tăiate printr-o singură tăiere folosind partea de jos a barei ferăstrăului.
- Pentru crengi cu diametru mai mare și mai grele și unde creanga ar putea să se rupă sau despică în timpul tăierii, tăierea trebuie făcută începând de dedesubtul crengii folosind vârful barei ferăstrăului. Faceți această tăietură aproximativ o treime din lungime prin ramură. Apoi faceți a doua tăiere de deasupra crengii folosind partea de jos a barei ferăstrăului pentru a întâlni prima tăietură.
- Aveți în vedere tăierea crengilor mai mari în secțiuni mai mici ușor de mănuit decât creanga întreagă.
- Nu încercați niciodată să reîncepeți o tăietură anterioară având lanțul și bara în tăietura anterioară. Începeți întotdeauna o nouă tăiere. Acest lucru va reduce riscul unui recul și a vătămării personale.

TRANSPORTAREA ȘI DEPOZITAREA

ÎN SITUAȚIA ASAMBLĂRII PE UN CAP DE ANTRENARE CU MOTOR PE BENZINĂ

- Opriți produsul și lăsați-l să se răcească înainte de a-l depozita sau transporta.
- Curățați toate materialele străine din produs.
- Atunci când depozitați produsul pentru o perioadă lungă de timp (o lună sau mai mult), asigurați-vă ca lanțul să fie ușor uns pentru a preveni rugina. Producătorul recomandă folosirea barei și uleiului de lubrifiere Ryobi ce sunt disponibile la centrele service autorizate Ryobi.
- Acoperiți bara ferăstrăului cu teaca înainte de depozitarea produsului, sau în timpul transportării.
- Turnați tot carburantul rămas în rezervor într-o canistră omologată pentru păstrarea benzinei. Repoziționați și strângeți bine capacul rezervorului de combustibil.
- Dacă este cazul, goliți tot uleiul din rezervor într-un recipient adecvat acestui scop. Repoziționați și strângeți bine capacul rezervorului de ulei.
- Porniți motorul până când acesta se oprește singur. Prin această operație se va îndepărta tot combustibilul care, cu timpul, ar putea colmata conductele de alimentare cu lacuri și alte depuneri.
- Depozitați-l într-un loc răcoros, uscat și bine aerisit ce este inaccessibil copiilor. Nu-l depozitați în apropiere de agenți corozivi cum ar fi produși chimici de grădinarit sau săruri antigel.
- Nu depozitați în aer liber.
- Pentru transportare, fixați produsul împotriva mișcării

sau căderii pentru a preveni vătămarea persoanelor sau deteriorarea produsului.

- Nu purtați sau transportați produsul în timp ce funcționează.
- Consultați reglementările naționale și locale în materie de depozitare și manipulare a carburantului.

DEPOZITATE PE TERMEN SCURT

- Opriți aparatul și lăsați-l să se răcească înainte de a-l transporta sau depozita.
- Curățați toate materialele străine din produs.
- Acoperiți lama cu protecția pentru lamă înainte de a depozita unitatea sau în timpul transportului.
- Depozitați-l într-un loc răcoros, uscat și bine aerisit ce este inaccessibil copiilor.
- Nu-l depozitați în apropiere de agenți corozivi cum ar fi produși chimici de grădinarit sau săruri antigel.
- Nu depozitați în aer liber.

ÎN SITUAȚIA ASAMBLĂRII PE UN CAP DE ANTRENARE CU MOTOR ELECTRIC

- Opriți produsul, deconectați-l de la sursa de alimentare și rulați cablul. Lăsați motorul să se răcească.
- Curățați toate materialele străine din produs. Depozitați-l într-un loc răcoros, uscat și bine aerisit ce este inaccessibil copiilor. Nu-l depozitați în apropiere de agenți corozivi cum ar fi produși chimici de grădinarit sau săruri antigel. Nu depozitați în aer liber.
- Atunci când depozitați produsul pentru o perioadă lungă de timp (o lună sau mai mult), asigurați-vă ca lanțul să fie ușor uns pentru a preveni rugina. Producătorul recomandă folosirea barei și uleiului de lubrifiere Ryobi ce sunt disponibile la centrele service autorizate Ryobi.
- Acoperiți bara ferăstrăului cu teaca înainte de depozitarea produsului, sau în timpul transportării.
- Pentru transportare, fixați aparatul împotriva mișcării sau căderii pentru a preveni vătămarea persoanelor sau a deteriora aparatul.

ÎNTREȚINEREA

⚠ AVERTISMENT

Folositi doar piese de schimb, accesorii si atasamente originale ale producatorului. Neurmarea acestora poate cauza posibila vătămare, slaba funcționare și ar putea anula garanția.

⚠ AVERTISMENT

Service-ul necesită atenție și cunoștințe deosebite și trebuie îndeplinit doar de către un tehnician service calificat. Pentru service sugerăm să returnați produsul la cel mai apropiat centru service autorizat pentru efectuarea reparațiilor. Când se efectuează service-ul folosiți doar piese de schimb identice.



⚠️ AVERTISMENT

Lanțul este foarte tăios. Pentru prevenirea vătămării personale, exercitați maximă atenție când curățați, potriviți sau îndepărtați teaca lanțului și purtați întotdeauna mănuși de protecție când efectuați întreținerea lanțului.

⚠️ AVERTISMENT

Întreținerea incorectă a lanțului crește potențialul de recul. Dacă nu înlocuiți sau nu reparați un lanț deteriorat, vă expuneți la riscuri de răniri corporale grave.

- Opriți și/sau deconectați produsul de la sursa de alimentare și asigurați-vă că toate piesele în mișcare s-au oprit complet înainte de a realiza orice operații de întreținere sau curățare.
- Puteți face reglaje și reparații descrise în acest manual de instrucțiuni. Pentru alte reparații, contactați agentul service autorizat.
- Urmați instrucțiunile privind lubrifierea, verificarea și reglarea tensiunii lanțului.
- După fiecare folosire, curățați corpul și mânerul produsului cu o cârpă moale și uscată.
- Verificați toate piulițele, suruburile la intervale frecvente de timp ca să fie corespunzător strânse pentru a vă asigura că produsul este în stare de lucru în siguranță. Orice piesă deteriorată trebuie să fie reparată în mod corespunzător sau înlocuită de un service autorizat.

Schema de întreținere

Verificare zilnică	
Lubrifiant pentru bară	Înainte de fiecare folosire
Tensiunea lanțului	Frecvent și înainte de fiecare folosire
Ascuțimea lanțului	Înainte de fiecare folosire, verificați vizual
Dacă sunt piese defecte	Înainte de fiecare folosire
Dacă sunt slăbite dispozitivele de fixare	Înainte de fiecare folosire
Amestec de combustibil sau combustibil și lubrifiant (doar pentru capul cu motor pe benzină)	Înainte de fiecare folosire
Cuplare ambreiaj (doar pentru capul cu motor pe benzină) (lanțul nu se mișcă la viteză de ralanti)	Înainte de fiecare folosire

Deteriorare cablu de alimentare (doar pentru capul cu motor electric)

Înainte de fiecare folosire

RISCURI REZIDUALE

Chiar dacă produsul este folosit așa cum a fost prescris, este totuși imposibil să se elimine complet anumiți factori de risc reziduali. Următoarele pericole pot apărea în timpul folosirii și operatorul trebuie să acorde atenție specială pentru a evita următoarele:

- Vătămare cauzată de vibrație. Folosiți întotdeauna aparatul potrivit pentru sarcină, folosiți mânerul prevăzute și restricționați timpul de lucru și expunerea.
- Expunerea la zgomot poate cauza vătămarea auzului. Purtați protecție pentru auz și limitați expunerea.
- Contactul cu dinții expuși ai lanțului ferăstrăului (pericole de tăiere).
- Mișcare neprevăzută, abruptă sau recul al lanțului de ghidare (pericole de tăiere).
- Părți proiectate de ferăstrău (pericole la tăiere/injecție)
- Părți aruncate din piesa de lucru (așchii de lemn, fragmente de lemn).
- Inhalarea de praf și particule ca urmare a tăierii
- Contactul pielii cu lubrifiant/ulei.

REDUCEREA RISCULUI

S-a raportat faptul că vibrațiile produse de unelte manuale pot contribui, la anumite persoane, la o afecțiune denumită Sindromul Raynaud. Simptomele pot include furnicături, amorțeală și albirea degetelor, care apare, de obicei, după expunerea la frig. Factori ereditari, expunerea la frig și umiditate, dieta, fumatul și practicile de muncă contribuie la dezvoltarea acestor simptome. Există măsurător care pot fi efectuate de către operator pentru a reduce efectele de vibrații:

- Păstrați-vă temperatura corporală ridicată pe vreme rece. Când operați unitatea purtați mănuși pentru a vă menține mâinile și încheieturile la căldură. S-a constatat că vremea rece este un factor major care contribuie la sindromul Raynaud.
- După fiecare perioadă de operare, trebuie făcute exerciții pentru a crește circulația sângelui.
- Trebuie făcute pauze la intervale de timp regulate. Limitați expunerea zilnică.

Dacă sunt experimentate oricare dintre simptomele acestei afecțiuni, trebuie întreruptă utilizarea și consultat un medic.

⚠️ AVERTISMENT

Pot fi cauzate sau agravate vătămările de la folosirea prelungită a aparatului. Atunci când folosiți o sculă pentru perioade prelungite, asigurați-vă că luați pauze regulate.

CUNOAȘTEȚI-VĂ PRODUSUL

Vezi pagina 175.

1. Lanțul ferăstrăului

2. Lamă
3. Piulița hexagonală
4. Apărătoare roată lanț
5. Învelitoare
6. Capac ulei
7. Tub scurt din oțel
8. Cârlig accesoriu

SIMBOLURILE DE PE PRODUS.



Avertizare de siguranță



Citiți și înțelegeți toate instrucțiunile înainte operării produsului, urmați toate avertizările și instrucțiunile de siguranță.



Purtați protecție pentru ochi, auz și cap.



Purtați întotdeauna încălțăminte de siguranță antiderapantă când utilizați acest produs.



Purtați mănuși care nu alunecă, destinate pentru operațiuni grele.



Nu expuneți la ploaie sau umezeală.



Pericol electric, fiți la cel puțin 10 metri de liniile electrice de deasupra.



Feriți-vă de obiecte proiectate sau în zbor. Țineți toți trecătorii, în special copiii și animalele de companie la cel puțin 15 metri de zona de operare.



Înainte de a utiliza produsul, scoateți întotdeauna mașonul.



Lubrifiant pentru lamă și lanț



Direcția de mișcare a lanțului



Acest aparat este conform cu ansamblul normelor reglementare din țara din UE în care a fost cumpărat.



Marcaj de conformitate EurAsian



Deșeurile produselor electrice nu trebuie să fie eliminate împreună cu deșeurile casnice. Vă rugăm să reciclați acolo unde există facilități. Verificați la autoritatea dvs locală sau la vânzător pentru sfaturi privind reciclarea.



Semn de conformitate ucrainean

rmătoarele cuvinte simbol și înțelesul lor au intenția de a explica nivelele de risc asociate cu acest produs.

⚠ PERICOL

Indică o situație periculoasă iminentă, care dacă nu este evitată va cauza decesul sau vătămarea gravă.

⚠ AVERTISMENT

Indică o situație periculoasă iminentă, care dacă nu este evitată poate rezulta în deces sau vătămarea gravă.

⚠ ATENȚIE

Indică o situație potențial periculoasă, care dacă nu este evitată poate cauza vătămarea moderată sau ușoară.

ATENȚIE

Fără a simbolul de alertă privind siguranța

Indică o situație care poate duce la pagube materiale.



Drošībai, veiktspējai un uzticamībai ir pievērsta vislielākā vērtība, konstruējot jūsu zaru griešanas uzgali.

PAREDZĒTAIS LIETOJUMS

Šis pūtēja uzgali ir apstiprināts lietošanai ar visiem Ryobi/Homelite benzīna piedziņas blokiem ar darba tilpumu 30 cm³ vai mazāk, kā arī ar RPH1200 elektriskās piedziņas bloku.

Tas ir paredzēts lietošanai tikai pieaugušiem, kuri izlasījuši un sapratuši norādes un brīdinājumus šajā rokasgrāmatā un atbilstošā piedziņas bloka rokasgrāmatā un var tikt uzskatīti par atbildīgiem par savu rīcību. Šis produkts ir paredzēts lietošanai tikai ārā. Drošības nolūkos, trimmeri jāizmanto, to atbilstoši vadot ar abām rokām.

Ierīce ir izstrādāta mazu krūmu un zaru zāģēšanai, un apcirpšanai, zaru diametrs ir mazāks par vai vienāds ar sliedes garumu; saglabājot stabilu stāju, ir iespējams apgriezt zarus, kas atrodas augstu kokā. Ierīce ir izstrādāta ar maksimālo garumu 2.6 m. Nepārsniedziet darba ilgumu.

Tas nav paredzēts lietošanai augstumā vai kā tradicionālo ķēdes zāģi ciešai ceturtdaļu atzarošanai un materiālu griešanai zemes līmenī.

▲ BRĪDINĀJUMS

Izmantojot ierīci, izpildiet drošības noteikumus. Pirms darba uzsākšanas Jūsu un blakusstāvētāju drošības dēļ, lūdzu, izlasiet šos norādījumus. Lūdzu, glabājiet noteikumus drošā vietā vēlākai izmantošanai.

▲ BRĪDINĀJUMS

Produkts nav paredzēts lietošanai ar benzīnu darbināmām ierīcēm, kam ir T veida rokturis.

VISPĀRĪGIE DROŠĪBAS BRĪDINĀJUMI

SAVIENOŠANAI AR BENZĪNA PIEDZIŅAS BLOKU

- Lai nodrošinātu drošu darbību, pirms izstrādājuma lietošanas izlasiet un saprotiet visas instrukcijas. Ievērojiet visas drošības norādes. Ja kādu noteikumu neievēro, tad ir iespējams gūt smagus savainojumus.
- Nekad nedarbiniet dzinēju slēgtās vai nepietiekami vēdinātās vietās; izplūdes gāzu ieelpošana var izraisīt nāvi.
- Nepieskarieties zonai ap klusinātāju vai dzinēja cilindru, šīs daļas lietošanas laikā sakarst.
- Pirms jebkādu pielāgojumu veikšanas, vienmēr apturiet dzinēju. Pirms veicat jebkādas pārbaudes, regulēšanu utt., ļaujiet ierīcei atdzist.
- Degvielas jaukšanas un degvielas tvertnes uzpildes laikā nesmēķējiet.
- Samaisiet un uzglabājiet degvielu tam īpaši paredzētā tvertnē.
- Degvielu jauciet tikai zem klajas debess, atstatu no liesmas un dzirkstelēm. Izlijusi vai izšļakstījusies degviela ir uzreiz jānoslauc. Pirms dzinēja palaišanas atkāpieties 9 m (30 pēdas) no uzpildes vietas.

- Pirms degvielas uzpildes vai ierīces uzglabāšanas apturiet dzinēju un ļaujiet tam atdzist.
- Atļaujiet dzinējam atdzist; iztukšojiet degvielas un eļļas tvertnes (ja tādas ir) un nostipriniet griezēju, lai novērstu tā kustību pirms tā pārvadāšanas transportlīdzeklī.

▲ BRĪDINĀJUMS

Kad droses regulatora mēlīte ir atlaista un dzinējs darbojas ar tukšgaitas apgriezieniem, griešanas papildierīcei vai ķēde jābūt nekustīgam. Ja tā tomēr kustas, pastāv risks operatoram gūt nopietnus ievainojumus. Nelietojiet iekārtu. Nododiet to profesionālai apkopei apstiprinātā servisa centrā.

SAVIENOŠANAI AR ELEKTRISKĀS PIEDZIŅAS BLOKU

▲ BRĪDINĀJUMS

Izlasiet visus drošības brīdinājumus un norādījumus. Brīdinājumu un norādījumu neizpildīšana var izraisīt elektrisko triecienu, aizdegšanos un/vai smagu ievainojumu.

Brīdinājumus un instrukcijas saglabājiet turpmākai uzziņai.

Nosaukums "elektroinstrumenti" brīdinājumus attiecas uz jūsu elektrisko (ar vadu) elektroinstrumentu vai ar akumulatoru darbināmo (bez vada) elektroinstrumentu.

DARBA VIETA

- Turiet darba vietu tīru un labi apgaismotu. Pārblīvētas un tumšas vietas izraisa negadījumus.
- Nedarbiniet elektroinstrumentus sprādzienbīstamā vidē, piemēram, degošu šķidrumu, gāzu vai putekļu klātbūtnē. Elektroinstrumenti rada dzirksteles, kas var aizdedzināt putekļus vai gāzes.
- Neļaujiet bērniem un blakusstāvētājiem tuvoties darbā esošiem elektroinstrumentiem. Izklaidības dēļ jūs varat zaudēt kontroli.

ELEKTRODROŠĪBA

- Elektroinstrumenta kontaktdakšai jāatbilst kontaktligzdai. Nekad nepārveidojiet kontaktdakšu. Sazemētiem elektroinstrumentiem nelietojiet pārejas ligzdas. Nepārveidotas kontaktdakšas un atbilstošas kontaktligzdas samazinās elektriskā trieciena risku.
- Nepieļaujiet ķermeņa kontaktu ar sazemētām virsmām, piemēram, caurulēm, radiatoriem, pavardiem un saldētāvām. Ja jūsu ķermenis ir sazemēts, pastāv palielināts elektriskā trieciena risks.
- Nepakļaujiet precī lietum vai slapjiem apstākļiem. Ūdens iekļūšana elektroinstrumentā palielina elektriskā trieciena risku.
- Neizmantojiet kabeli nepareizi. Nekad neizmantojiet vadu, lai nestu, vilktu elektroinstrumentu vai atvienotu kontaktdakšu. Turiet kabeli tālu no siltuma avota, eļļas, asiem priekšmetiem vai kustīgām detaļām. Bojāts vai savērpts kabelis palielina elektriskā





trieciena iespēju.

- Strādājot ar elektroinstrumentu ārpus telpām, lietojiet āra lietošanai piemērotu pagarinātāju. Elektriskā trieciena risku samazina lietošanai ārpus telpām piemērota kabeļa izmantošana.
- Ja elektroinstrumenti ir jālieto mitrās telpās, izmantojiet strāvas noplūdes automātslēdzi (RCD) barošanas vadā. Paliekošās strāvas ierīces izmantošana samazina elektriskā trieciena risku.

PERSONISKĀ DROŠĪBA

- Uzmanieties darba laikā un izmantojiet veselo saprātu, darbojoties ar elektroinstrumentu. Neizmantojiet elektroierīci, ja esat noguris vai narkotisko vielu, alkohola vai medikamentu ietekmē. Neuzmanības brīdis, strādājot ar elektroinstrumentiem, var izraisīt smagus ievainojumus.
- Lietojiet personīgo aizsargaprīkojumu. Vienmēr lietojiet aizsargbrilles. Aizsargaprīkojums, piemēram, putekļu maska, neslīdoši aizsargapavi, aizsargķivere vai ausu aizsargi, kas lietoti atbilstošos apstākļos, samazina personas ievainojumu iespēju.
- Nepieļaujiet nejašu iedarbināšanu. Pirms pievienot enerģijas avotam un/vai akumulatoram, pacelt un pārvietot darbarīku, pārliecinieties, ka slēdzis ir izslēgtā stāvoklī. Elektroinstrumentu pārnēsāšana, turot pirkstu uz slēdža vai ieslēgtu elektroinstrumentu pārnēsāšana var izraisīt nelaimes gadījumus.
- Noņemiet visas regulēšanas uzgriežņu atslēgas pirms elektroierīces ieslēgšanas. Uzgriežņu atslēga vai atslēga, kas palikusi piestiprināta pie elektroinstrumenta rotējošās detaļas, var izraisīt personas ievainojumu.
- Nepersitempkite. Visu laiku stāviet stingri un stabili. Tas ļauj labāk vadīt elektroinstrumentu negaidītās situācijās.
- Apģērbieties pareizi. Nevalkājiet valģi apģērbu vai rotaslietas. Turiet savus matus, apģērbu un cimdus tālu no kustīgām detaļām. Valģis apģērbs, rotaslietas vai gari mati var tikt ierauti starp kustīgām detaļām.
- Ja ierīce ir aprīkota ar putekļu nosūcēja un savācēja pievienojumu, pārliecinieties, ka tas ir pievienots un tiek pareizi lietots. Putekļu savācēja lietošana var samazināt putekļu izraisītos riskus.

ELEKTROINSTRUMENTU LIETOŠANA UN APRŪPE

- Nepielietojiet spēku, izmantojot ražojumu. Izmantojiet saviem darbam atbilstošu elektroierīci. Pareizais elektroinstrumenti veiks darbu labāk un drošāk ar ātrumu, kādam ticis konstruēts.
- Nelietojiet elektroinstrumentu, ja ar slēdzi to nevar ieslēgt un izslēgt. Ja elektroinstrumentu nevar vadīt ar slēdzi, tas ir bīstams un jāremontē.
- Pirms elektroinstrumentu regulēšanas, piederumu maiņas vai uzglabāšanas atvienojiet spraudni no barošanas avota un/vai akumulatora bloku no elektroinstrumenta. Šādi profilakses pasākumi samazina elektroierīces nejaušas iedarbināšanas iespēju.
- Glabājiet neizmantotus elektroinstrumentus

bērniem nepieejamās vietās un neļaujiet neapmācītām personām darboties ar elektroinstrumentiem. Elektroinstrumenti ir bīstami neapmācītu personu rokās.

- **Apkopt elektroinstrumentus.** Pārbaudiet kustīgo detaļu savienojumu pareizību, detaļu berzi un citus apstākļus, kas var ietekmēt elektroinstrumenta darbu. Ja elektroinstrumenti ir bojāti, pirms lietošanas veiciet tā remontu. Daudzus negadījumus izraisa slikti apkopti elektroinstrumenti.
- **Turiet griezējriekus asus un tīrus.** Pareizi apkopti griezējinstrumenti ar asām griezējšķautnēm retāk pielīp un ir vieglāk vadāmi.
- **Izmantojiet elektroierīci, piederumus, darbinstrumentus u.c. saskaņā ar šiem norādījumiem, ņemiet vērā darba apstākļus un veicamo darbu.** Elektroinstrumenta izmantošana neparedzētu darbību veikšanai var radīt bīstamu situāciju.

APKOPE

- **Vai jūsu elektroinstrumentu apkalpo kvalificēts personāls, izmantojot tikai identiskas rezerves daļas.** Tas nodrošinās elektroinstrumenta drošības saglabāšanu.

PAPILDŪ DROŠĪBAS BRĪDINĀJUMI

- Dažos reģionos pastāv noteikumi, kas ierobežo darbības, kurām produkts ir izmantojams. Vērsieties pie atbildīgajām amatpersonām pēc padoma.
- Neļaujiet šo izstrādājumu lietot bērniem vai cilvēkiem, kuri nav izlasījuši šīs instrukcijas. Vietas īstajam gali aprīboti ierīgimo operatoriaus amžīju.
- Pirms katras lietošanas reizes pārliecinieties, ka visas kontroles un drošības sistēmas ir darba kārtībā. Neizmantojiet ierīci, ja izslēgšanas slēdzis neapstādina motoru.
- Darbinot ierīci, valkājiet aizsargbrilles un dzirdes aizsargu, izturīgus cimdus, kā arī galvas aizsargu; putekļu gadījumā lietojiet sejas masku.
- Nevalkājiet valģi apģērbu, īsas bikses vai jebkādas rotaslietas.
- Nostipriniet garus matus tā, lai tie ir virs plecu līmeņa, lai novērstu sapīšanas kustīgajās daļās.
- Dzirdes aizsargu lietošana mazinās jūsu spēju dzirdēt brīdinājumus (bļāvienus vai skaņas signālus). Operatoram jāpievērš sevišķa uzmanība tam, kas notiek darba zonā.
- Līdzīgas ierīces izmantošana tuvumā palielina gan risku sabojāt dzirdi, gan iespēju, ka otrs cilvēks ieies jūsu darba zonā.
- Uzmanieties no krītošām lietām; raugieties, lai tuvāk stāvošie - bērni, un dzīvnieki atrodas vismaz 15 m no jūsu darbošanās vietas. Ja kāds ienāk zonā, apturiet precī.
- Nelietojiet sliktā apgaismojumā. Lietotājam jābūt pilnai redzamībai pār darba zonu, lai spētu identificēt iespējamus draudus.
- Visada tvirtai stovēkite ir īslaikykite pusiausvyrā.





Nepersitempkite. Cenšoties pārāk tālu aizsniegties, var zaudēt līdzsvaru un palielināt atsitiena risku.

- Nerīkojieties ar šo ražojumu, kad esat noguris, slims vai esot alkohola, narkotiku vai zāļu ietekmē.
- Turiet visas ķermeņa daļas tālu no visām kustīgajām detaļām.
- Pirms katras lietošanas reizes pārbaudiet ierīci. Pārbaudiet, vai visas vadīšanas ierīces darbojas pareizi. Pārbaudiet, vai visi stiprinājumi ir vietā, pārliecinieties, ka visi aizsargi un rokturi atbilstoši un droši piestiprināti. Pirms lietošanas nomainiet visas bojātās detaļas.
- Nepārveidojiet ierīci un nelietojiet detaļas un aksesuārus, kurus nav ieteicies ražotājs.
- Neļaujiet pieradumam (kas radies no biežas darbarīka lietošanas) izraisīt neuzmanīgu kļūdu. Neuzmanīga rīcība var radīt smagas traumas tikai dažu sekunžu laikā.
- Rokturiem un citām satverošām virsmām ir jābūt sausām, tīrām un bez eļļas un smērvielu plankumiem. Negaidītās situācijās slideni rokturi un slidena satvēriena virsmas padara darbarīka lietošanu nedrošu un nekontrolējamu.

▲ BRĪDINĀJUMS

Ja ierīce tiek nomesta, tā ir saskārusies ar smagu triecienu vai tā sāk nevaldāmi vibrēt, nekavējoties izslēdziet ierīci un centieties atrast bojājumu vai arī cēloni šādai vibrācijai. Jebkāda tehniska apkope ir jāveic tikai autorizētos tehniskās apkopes centros.

SAVIENOŠANAI AR ELEKTRISKĀS PIEDZIŅAS BLOKU

- Elektriskā enerģija jāpiegādā caur strāvas noplūdes automātslēdzi (RCD) ar atslēgšanas strāvu, kas nepārsniedz 30 mA.
- Ja jums nepieciešams izmantot pagarinātāju, nodrošiniet, ka tas ir piemērots izmantošanai ārā un tā strāvas kapacitāte ir atbilstoša, lai apgādātu jūsu precī. Pirms katras lietošanas reizes, pārbaudiet, vai tas nav bojāts. Izmantošanas laikā, pilnībā attīniet kabeli jo saīti kabeli var pārkarst.
- Ja elektrības vads tiek bojāts, pirms lietošanas to jānomaina.

ZARGRIEŽA DROŠĪBAS NORĀDĪJUMI

- Nekad neizmantojiet zargriezi, kad pastāv pērkona negaisa vai zibens iespējamība. Noglabājiet zargriezi un elektrības kabelus droši iekšelpās.
- Pārliecinieties, ka visi aizsargi un rokturi ir atbilstoši uzstādīti un ir labā stāvoklī.
- Nesāciet izmantot ierīci pirms jūs neesat atbrīvojis darba vietu, nodrošinājis stabilu stāju un izplānojis glābšanas ceļu no kritošiem zariem vai koku daļām.
- Uzmanieties no eļļas migliņas un zāģskaidu izmešiem. Ja nepieciešams, lietojiet masku vai respiratoru.
- Izmantojot zargriezi, vienmēr to turiet ar abām rokām. Izmantojiet vienu roku, lai cieši satvertu priekšējo rokturi. Izmantojiet otru roku, lai satvertu aizmugurējo rokturi un vadītu instrumentu.

- Turiet elektroinstrumentu tikai pie izolētās, satveršanai domātās virsmas, jo zāģa ķēde var saskarties ar apslēptiem vadiem. Zāģa ķēdēm saskaroties ar vadu, kurā plūst elektriskā strāva, strāva var sākt plūst arī caur elektroinstrumenta atklātajām metāla daļām un operators var saņemt elektriskās strāvas triecienu.
- Nekādā gadījumā nepārveidojiet ierīci un neizmantojiet to lai darbinātu citu aprīkojumu vai ierīces, kuras neiesaka ierīces ražotājs.
- Zargriezim komplektā pievienotas drošības jostas. Izmantojiet to, kamēr darbojaties ar zargriezi. Pēc griešanas beigām, tas palīdzēs kontrolēt zargrieža krišanu. Tas palīdzēs noturēt ierīces svaru tās izmantošanas laikā un palīdzēs arī pārvietoties zāģēšanas laikā.
- Identificējiet ātrās atbrīvošanas mehānismu un iemācieties to lietot pirms jūs esat sācis lietot šo ierīci. Šī mehānisma pareiza izmantošana var pasargāt jūs no ievainojumiem ārkārtas gadījumos. Nekad nevelciet citu apģērbu virs turētāja vai jebkādā citā veidā apgrūtiniet piekļuvi ātrās atļaišanas mehānismam.
- Pirms iedarbiniet ierīci pārliecinieties, ka zāģa ķēde nepieskaras kādam priekšmetam.
- Nepareizi nospriegota ķēde var nokrist no slīdes, izraisot nopietnu traumu vai nāvi. Pārbaudiet pirms katras lietošanas un dariet to bieži, it īpaši, pārbaudiet jaunu ķēdi.
- Lai samazinātu ievainojumu risku, kas saistīts ar kustīgām daļām, vienmēr apturiet instrumentu un atvienojiet no sprieguma padeves (ja tāda ir), pārliecinieties, ka visas kustīgās daļas apstājušās pirms:
 - nosprostojumu tīrīšana vai aizvākšana
 - izstrādājuma atstāšana bez uzraudzības
 - piederumu uzstādīšanas vai noņemšanas
 - pārbaudes, apkopes vai darba pie ierīces uzsākšanas
- Var notikt tā saucamais motorzāģa prettrieciens, ja ķēdes vadīklas gals uzduras kādam priekšmetam vai ja ķēde zāģēšanas laikā tiek saspiesta un iesprūst kokā. Slīdes gala nonākšana saskarē ar kādu priekšmetu noteiktos gadījumos var izraisīt tā spēcīgu atmešanu pretējā virzienā, kā rezultātā slīde pārvietojas uz augšu un operatora virzienā. Ja zāģa ķēde tiek iespiesta vadošās slīdes augšdaļā, tad vadošā slīde var tikt strauji mesta operatora virzienā. Šādas reakcijas var likt jums zaudēt kontroli pār ierīci, kā rezultātā var rasties nopietna personiska trauma. Nepaļaujieties tikai uz drošības ierīcēm, kas iebūvētas jūsu mehānismā. Kā zargrieža lietotājam, jums ir jāievēro vairāki nosacījumi, lai jūs zāģēšanas laikā iztiktu bez negadījumiem vai traumām. Atsitieni rodas ierīces nepareizas lietošanas rezultātā un/vai nepareizu darba procedūru vai darba apstākļu dēļ, un no tā var izvairīties, ievērojot turpmākos piesardzības pasākumus:
 - Jūs varat samazināt vai novērst iespēju, ka notiek kas negaidīts, ja saprotat, kas var izraisīt prettriecienu. Turpretim negaidītas norises var novest pie nelaiemes gadījumiem.
 - Raugieties, lai darba vietā, kur lietojat motorzāģi,

EN
FR
DE
ES
IT
NL
PT
DA
SV
FI
NO
RU
PL
CS
HU
RO
LV
LT
ET
HR
SL
SK
BG
UK





nebūtu nevajadzīgu šķēršļu. Neļaujiet sliedes galam saskarties ar zaru, atzariem vai jebkādu citu lietu, kamēr jūs veicat zāģēšanu.

- Saglabājiet stingru tvērienu, turiet ierīci ar abām rokām un pozicionējiet savu ķermeni un rokas, lai tas ļautu jums pretoties atsitienu spēkam. Operators var kontrolēt atsitienu spēku, ievērojot attiecīgus norādījumus. Nelaidiet vaļā zargriezi.
- Nepersitempkite. Tas palīdz novērst neparedzētu gala saskaršanos un uzlabo ierīces kontroli negaidītās situācijās.
- Lietojiet tikai ražotāja norādītās sliedes un ķēdes. Neatbilstošas rezerves sliedes un ķēdes var izraisīt ķēdes pļīšanu un/vai atsitienu.
- Lai droši uzasinātu zāģa ķēdi, nepieciešamas prasmes. Tāpēc ražotāji stingri iesaka noliegtu vai trulu ķēdi nomainīt ar jaunu, kas pieejama pilnvarotā Ryobi servisa centrā. Daļas numurs ir norādīts šīs rokasgrāmatas iekārtas specifikāciju tabulā.

- Neizmantojiet uz kāpnēm vai nestabila pamata. Zāģējot stāviet stingri uz kājām, izvēlieties stabilu pamatni. Tādējādi jūs izvairīsities no līdzsvara zaudēšanas darba laikā.
- Lai aizsargātu sevi no nāvējoša elektrošoka, nestrādājiet tuvāk par 10 m no, vīrs galvas esošiem elektrības vadiem.
- Novāciet zarus sektoros. Nestrādājiet bīstamos apstākļos. Uzmanieties no krītošiem zariem arī tad, kad tie atsitas pret zemi.
- Rīkojieties ļoti piesardzīgi, kad zāģējat sīkus kociņus un zariņus, jo nelieli priekšmeti var iekerties motorzāģa ķēdē un tikt sviesti jums virsū, vai arī jūs varat zaudēt līdzsvaru.
- Ja zāģējat zaru, kurš ir nosprīgots, esiet vienmēr gatavs ātri doties projām, lai nesāņemtu sitienu ar zaru, kad tas atbrīvosies no nosprīgojuma.
- Ja laikam ritot pasliktinās zāģēšanas kvalitāte, pārbaudiet vai ķēdes asmeņi ir asi un tīri. Ja nepieciešams, nomainiet oriģinālo ķēdi (un sliedi) kā ieteicis ražotājs.
- Ja ķēde un sliede tiek saspiesta vai iesprūst zaros augstumā, ko nevar aizsniegt, meklējiet padomu pie profesionāla kokmateriālu pakalpojumu speciālista - par drošu ķēdes un sliedes atbrīvošanas paņēmieniem.

⚠ BRĪDINĀJUMS

Pirms katras lietošanas reizes, pārbaudiet, vai visi savienojumi uz paplašināmajiem instrumentiem un darbarīkiem ir droši piestiprināti; pārbaudes veiciet regulāri.

INDIVIDUĀLIE AIZSARDZĪBAS LĪDZEKĻI

Labas kvalitātes individuālie aizsardzības līdzekļi, kādus izmanto profesionāļi, palīdzēs samazināt operatora ievainojumu gūšanas risku. Izmantojot ierīci ir jālieto šādi piederumi:

Aizsargķivere

- jāatbilst standartam EN 397-11 un jābūt marķētai ar CE zīmi

Dzirdes aizsargs

- jāatbilst standartam EN 352-1 un jābūt marķētai ar CE zīmi

Acu un sejas aizsargs

- jābūt marķētām ar CE zīmi un jāatbilst standartam EN 166 (aizsargbrīļu gadījumā) vai standartam EN 1731 (sieta viziera gadījumā)

Cimdi

- jāatbilst standartam EN 381-7 un jābūt marķētai ar CE zīmi

Apavi

- jāatbilst standartam EN 20345-11 un jābūt marķētai ar CE zīmi

DARBĪBA - ZĀĢĒŠANA

- Pirms uzsāciet darbu, izpētiet koka un zaru stāvokli. Ja ir redzamas bojājuma, puvas vai trūdēšanas pazīmes, necentieties to pats apcirpt. Bojāti vai sapuvuši zari ir ļoti nestabili. Meklējiet profesionālus koku zāģēšanas un atzarošanas pakalpojumus.
- Nekad nestāviet zem griešanai paredzētā zara.
- Nogriezti zari ne vienmēr nokrīt tieši uz zemes. Citas lapotnes tos viegli notver un maina virzienu. Pārlicinieties, ka drošības zona ir divtik liela kā zāģējamais zars un, ka zāģēšanas laikā tā tāda arī paliek. Ja tas nav iespējams, meklējiet palīdzību pie koku gāšanas un atzarošanas pakalpojuma sniedzēja.
- Pārlicinieties, ka krītošs zars neapdraud jūs, tuvumā stāvošos cilvēkus vai īpašumu, t.sk. apkārtesošos vadus.
- Nekad neizmantojiet ierīci ar kārti, kuras leņķis horizontālā virzienā ir lielāks par 60°.
- Nekad neizmantojiet zargriezi ar griezējierīci tuvāk par 10m no virsgalvas esošiem elektrības vadiem.
- Nespiediet precī, ļaujiet ķēdei darboties savā ātrumā.
- Nemēģiniet nogriezt zaru pārāk tuvu pie koka stumbra. Atstājiet apmēram 15 cm lielu atstarpī no stumbra un iezāģējamās vietas.
- Atstutējiet zāģa sliedi uz zara, lai to varētu apcirpt un stumiet zāģi uzmanīgi uz priekšu, lai tā atbalsts saskaras ar zaru. Tas uzlabos stabilitāti, zāģēšanu un nodrošinās tīrākus iezāģējumus.
- Mazi zari, kas diametrā ir tievi un nav smagi, var tikt sazāģēti ar vienu zāģēšanas reizi, izmantojot zāģa sliedes apakšu.
- Lielākiem un smagākiem zariem, kuri zāģēšanas laikā var lūzt vai ieplaisāt, ir nepieciešams sākumā iezāģēt no apakšas, izmantojot zāģa sliedes augšu. Iezāģējiet aptuveni vienas trešdaļas dziļumā no zara biezuma. Tad veiciet otro iezāģējumu no zara augšas, izmantojot zāģa sliedes apakšu, lai savienotu šo iezāģējumu ar pirmo iezāģējumu.
- Lielus zarus zāģējiet vairākās daļās; neizāģējiet uzreiz



visu zaru.

- Nekad nemēģiniet atkārtot iepriekšējo iegriezumu ar ķēdi un sliedi iepriekšējā iegriezumā. Vienmēr sāciet zāgēt no jauna. Tas samazinās atsitiena un potenciālas traumas risku.

TRANSPORTĒŠANA UN UZGLABĀŠANA

SAVIENOŠANAI AR BENZĪNA PIEDZIŅAS BLOKU

- Apturiet precī un ļaujiet tai atdzist pirms noglabāšanas vai transportēšanas.
- Notīriet visus svešķermeņus no izstrādājuma.
- Noglabājot ierīci uz ilgāku laiku (vienu mēnesi vai ilgāk), pārļiecinieties, ka ķēde ir iesmērēta ar smērvielu, lai novērstu tās rūšēšanu. Ražotāji iesaka izmantot Ryobi sliedi un ķēdes smērvielu, kas ir pieejami Ryobi servisa centrā.
- Pirms ierīces noglabāšanas vai tās pārvešanas laikā, zāga asmenim uzlieciet zāga asmeņa aizsargu.
- Izlejiet no tvertnes visu atlikušo degvielu kādā citā traukā, kas ir piemērots degvielas glabāšanai. Atcerieties pareizi uzskrūvēt un novilkt degvielas tvertnes vāciņu.
- Ja ir eļļas tvertne, noliejiet visu eļļu no tvertnes traukā, kas paredzēts smērvielām. Atcerieties pareizi uzskrūvēt vietā eļļošanas vāciņu.
- Darbiniet dzinēju, līdz tas pilnībā beidz griezties. Tas iztukšo visu degvielu, kas ir novadējusies un atstāj degvielas sistēmā nosēdumus un sveķus.
- Uzglabājiet to vēsā, sausā un labi vēdinātā vietā, kurai nevar piekļūt bērni. Neglabājiet to vietā, kur tuvumā atrodas korozīvas vielas, piemēram dārza darbos izmantojamas ķimikālijas vai atsaldēšanai domāta sāls.
- Neuzglabājiet ārpus telpām.
- Transportējot nostipriniet ierīci, lai tā nekustētos un neapgāztos, jo tas var izraisīt miesas bojājumus un ierīces bojājumus.
- Nekad nenesiet un netransportējiet produktu, kamēr tas darbojas.
- Ja glabājat degvielu un strādājat ar to, tad uzziniet, kādi vietēji noteikumi un nacionāli likumi attiecas uz šo jomu.

ĪSLAICĪGA UZGLABĀŠANA

- Pirms uzglabāšanas vai transportēšanas apturiet iekārtu un ļaujiet tai atdzist.
- Notīriet visus svešķermeņus no izstrādājuma.
- Nosedziet asmeni ar asmens aizsargu pirms ierīces glabāšanas vai tās transportēšanas laikā.
- Uzglabājiet to vēsā, sausā un labi vēdinātā vietā, kurai nevar piekļūt bērni.
- Neglabājiet to vietā, kur tuvumā atrodas korozīvas vielas, piemēram dārza darbos izmantojamas ķimikālijas vai atsaldēšanai domāta sāls.
- Neuzglabājiet ārpus telpām.

SAVIENOŠANAI AR ELEKTRISKĀS PIEDZIŅAS BLOKU

- Apturiet instrumentu, atvienojiet no sprieguma padeves un satiniet vadu. Ļaujiet dzinējam atdzist.

- Notīriet visus svešķermeņus no izstrādājuma. Uzglabājiet to vēsā, sausā un labi vēdinātā vietā, kurai nevar piekļūt bērni. Neglabājiet to vietā, kur tuvumā atrodas korozīvas vielas, piemēram dārza darbos izmantojamas ķimikālijas vai atsaldēšanai domāta sāls. Neuzglabājiet ārpus telpām.
- Noglabājot ierīci uz ilgāku laiku (vienu mēnesi vai ilgāk), pārļiecinieties, ka ķēde ir iesmērēta ar smērvielu, lai novērstu tās rūšēšanu. Ražotāji iesaka izmantot Ryobi sliedi un ķēdes smērvielu, kas ir pieejami Ryobi servisa centrā.
- Pirms ierīces noglabāšanas vai tās pārvešanas laikā, zāga asmenim uzlieciet zāga asmeņa aizsargu.
- Transportēšanas laikā nostipriniet iekārtu tā, lai tā nevarētu kustēties vai apkrīst, lai izvairītos no personu ievainošanas un iekārtas bojāšanas.

APKOPE

⚠ BRĪDINĀJUMS

Lietojiet tikai oriģinālās ražotāja rezerves daļas, piederumus un uzgaļus. Pretējā gadījumā var tikt radīti ievainojumi un parādīts slikts sniegums, kā arī var tikt anulēta garantija.

⚠ BRĪDINĀJUMS

Aptarnavimā atlikti būtina itin atidzīai, todėl rekomenduojame, kad techninę apžiūrą vykdytų kvalifikuotas specialistas. Techninei apžiūrai atlikti patariame gražinti prietaisą į artimiausią įgaliotą paslaugų teikimo tarnybą. Sugedusias detales keiskite tik originaliomis detalėmis.

⚠ BRĪDINĀJUMS

Ķēde ir ļoti asa. Lai novērstu personisku traumu, esiet ļoti uzmanīgs, kad tīrāt, uzstādāt vai noņemat ķēdes aizsargu, un vienmēr izmantojiet atbilstošus aizsargājošus cimdus, kad veiciet ķēdes uzturēšanu.

⚠ BRĪDINĀJUMS

Nepareiza ķēdes apkope palielina atsitiena iespēju. Ja sabojāta ķēde netiek nomainīta vai salabota, tad strādnieks ir pakļauts bīstamībai - var gūt smagus savainojumus.

- Izslēdziet un/vai atvienojiet instrumentu no sprieguma padeves un pārļiecinieties, ka pirms jebkādu apkopes vai tīrīšanas darbu veikšanas visas kustīgās daļas ir pilnīgi apstājušās.
- Daudzus šajā lietotāja rokasgrāmatā aprakstītos regulēšanas un remontdarbus varat veikt pats. Lai veiktu citus remontdarbus, sazinieties ar pilnvarotu servisa darbinieku.
- Ievērojiet norādījumus par eļļošanu, ķēdes nosprigojuma pārbaudi un regulēšanu.
- Pēc katras lietošanas reizes, notīriet ierīci un tās

EN
FR
DE
ES
IT
NL
PT
DA
SV
FI
NO
RU
PL
CS
HU
RO
LV
LT
ET
HR
SL
SK
BG
UK

rokturus ar mīkstu, sausu audumu.

- Regulāri pārbaudiet visus uzgriežņus, stiprinājumus un skrūves, lai pārliecinātos, ka tās ir cieši pievilktas un izstrādājums ir drošā darba stāvoklī. Jebkura bojāta detaļa jānodod remontam vai nomainīgai pilnvarotā apkopes centrā.

Apkopes grafiks

Ikdienas pārbaude	
Stieņa eļļošana	Pirms katras lietošanas
Ķēdes spriegojumu	Bieži un pirms katras lietošanas reizes
Ķēdes asumu	Pirms katras lietošanas reizes, vizuāla pārbaude
Vai nav bojājumu	Pirms katras lietošanas
Vai nav vajīgi stiprinājumi	Pirms katras lietošanas
Degvielas maisījums vai degviela un smērviela (tikai benzīna piedziņas jaudas blokam)	Pirms katras lietošanas
Sajūga saslēgšanās (tikai benzīna piedziņas jaudas blokam) (tukšgaitā nav ķēdes kustības)	Pirms katras lietošanas
Elektrības vada bojājumi (tikai elektriskās piedziņas jaudas blokam)	Pirms katras lietošanas

OBJEKTĪVIE RISKI

Pat ka prece ir lietotā kā noteikts, nav iespējams pilnībā novērst noteiktus riska faktorus. Lietošanas laikā var rasties šādas bīstamas situācijas, un lietotājam ir jāpievērš pastiprināta uzmanība, lai tās novērstu:

- Vibrācijas radīts ievainojums. Vienmēr izmantojiet pareizos rīkus tiem paredzētajam darba, izmantojiet norādītos rokturus un ierobežojiet laiku, cik ilgi izmantojat ierīci.
- Saskarsme ar troksni var radīt dzirdes traucējumus. Valkājiet ausu aizsargu un ierobežojiet saskarsmi.
- Saskare ar atklātiem ķēdes zāģa zobiem (iegriezuma risks).
- Vadošās slīdes neparedzēta, aprauta kustība vai atsitieni (iegriezuma risks).
- No zāģa ķēdes izmestas daļas (sagriešanās/saduršanās bīstamība).
- No apstrādājamā materiāla izmestas daļas (koka skaidas, šķembas).
- Zāģskaidu un daļiņu ieelpošana.
- Ādas saskarsme ar smērēļļū/eļļū.

RISKA SAMAZINĀŠANA

Ir ticis ziņots, ka vibrācijas no rokas instrumentiem atsevišķos cilvēkos var veicināt kaiti, ko sauc par Reino sindromu. Simptomi var ietvert pirkstu tīkšķēšanu,

nejūtīgumu un nobālēšanu, parasti aukstā laikā. Tiek uzskatīts, ka tradicionālie faktori, aukstums un mitrums, uzturs, smēķēšana un darba prakse sekmē šo simptomu attīstību. Operators var veikt pasākumus, lai iespējami samazinātu vibrācijas efektu:

- Aukstā laikā ķermenim jābūt siltam. Darbinot ierīci, nēsājiet cimdus, lai rokas un plaukostas locītavas būtu siltas. Ir pētījumi, ka auksts laiks ir galvenais faktors, kas veicina Reino sindromu.
- Ik pēc laika apturiet darbu un veiciet vingrinājumus, kas uzlabo asins cirkulāciju.
- Strādājot jābūt biežiem pārtraukumiem. Ierobežojiet iedarbības ilgumu dienā.

Ja jūs izjūtat kādu no šiem simptomiem, nekavējoties apturiet ierīces lietošanu un sazinieties ar ārstu par šiem simptomiem.

BRĪDINĀJUMS

Ilgstoša preces lietošana var radīt ievainojumus vai pasliktināt jau esošos. Ilgstoši lietojot jebkuru instrumentu, pārliecinieties, ka tiek veikti regulāri pārtraukumi.

PAZĪSTIET SAVU IERĪCI

Skatīt 175. lappusi

- Zāģēšanas ķēde
- Slīde
- Sešstūra uzgriezni
- Zobrata vāks
- Maksts
- Eļļas uzpildes atveres vāciņš
- Īsā tērauda caurule
- Piederuma pakaramais

UZ PRECES ESOŠIE SIMBOLI



Drošības brīdinājums



Pirms preces darbināšanas izlasiet un izprotiet visus norādījumus, ievērojiet visus brīdinājumus un drošības norādījumus.



Izmantojiet acu, ausu un galvas aizsargu.



Kad izmantojat šo izstrādājumu, lietojiet neslīdošus aizsargapavus.



Valkājiet neslīdošus darba cimdus.



Nepakļaujiet lietum vai mitriem apstākļiem.



Elektrorisks; vismaz 10 m attālumā no virszemes elektropārvades līnijām



Sargieties no izmestiem vai lidojošiem priekšmetiem. Rūpējieties, lai visi tuvumā stāvošie, īpaši bērni un dzīvnieki atrastos vismaz 15 m attālumā no darba zonas



Pirms griezēja lietošanas, vienmēr noņemiet zāģa uznavu.



Stieņu un ķēžu smērviela



Ķēdes kustības virziens



Darbarīks atbilst visām normām ES valstī, kurā tas ir iegādāts.

EurAsian atbilstības marķējums



Izlietotie elektroprodukti nedrīkst tikt izmesti kopā ar māsaimniecības atkritumiem. Lūdzu, nododiet tos attiecīgajās atk ār totas izmantošanas vietās. Sazinieties ar savu vietējo varas pārstāvi vai izplatītāju, lai noskaidrotu, kur iespējama atkārtota pārstrāde.



Ukrainas apstiprinājuma zīme

Lai izskaidrotu risku, kas saistīti ar izstrādājumu, līmeni, paredzēti šādi norādījuma vārdi un jēdzieni.

⚠ BĪSTAMI

Norāda draudošo bīstamo situāciju, kas, ja no tās neizvairās, var novest pie nāves vai nopietnas traumas.

⚠ BRĪDINĀJUMS

Norāda potenciālo bīstamo situāciju, kas, ja no tās neizvairās, var novest pie nāves vai nopietnas traumas.

⚠ UZMANĪBU

Norāda potenciālo bīstamo situāciju, kas, ja no tās neizvairās, var novest pie nelielas vai vidējas traumas.

UZMANĪBU

Bez drošības brīdinājuma apzīmējuma

Norāda uz situāciju, kas var radīt īpašuma bojājumus.

Gaminant genėjimo priedą didžiausia svarba buvo teikiama saugai, efektyvumui ir patikimumui.

NAUDOJIMO PASKIRTIS

Šis gaminant genėjimo priedą patvirtintas naudoti su visais „Ryobi“ / „Homelite“ benzinu varomais 30 cc arba mažesnio tūrio galios agregatais arba su RPH1200, RLT1238L, RBC1226I elektra varomu galios agregatu.

Jis yra skirtas naudoti tik suaugusiems, kurie yra perskaitę ir supratę šiame vadove ir atitinkamo galios agregato vadove pateikiamas instrukcijas bei įspėjimus ir gali būti laikomi atsakingais už savo veiksmus. Šis prietaisas skirtas naudoti tik lauke. Darbo šiuo įrenginiu saugą galima užtikrinti tik dirbant abiem rankomis.

Krūmapjovė skirta pjauti ir genėti aukštai medyje esančias mažas šakeles ir šakas, kurių skersmuo mažesnis ar lygus stypo ilgiui, operatoriui tvirtai stovint ant kojų. Krūmapjovę galima pailginti ne daugiau, kaip 2,6 m. Neviršykite šio darbinio ilgio.

Šio įrankio negalima naudoti lipant arba kaip įprasto grandininio pjūklo skaldyti medieną į ketvirčius iš arti ir genėti šakas žemės lygyje.

⚠ ĮSPĖJIMAS

Būtina laikytis saugos reikalavimų naudojantis šiuo produktu. Dėl savo pačių ir šalia esančių asmenų saugumo, perskaitykite šias instrukcijas prieš pradėdami dirbti prietaisu. Išsaugokite šią instrukciją ateičiai.

⚠ ĮSPĖJIMAS

Šis įrankis nepritaikytas naudoti su benzininėmis galvutėmis ant kurių pritvirtintos dviratininko rankenėlės.

BENDRIEJI SAUGOS ĮSPĖJIMAI

ĮRENGINIAMS SU BENZINU VAROMAI GALIOS AGREGATAIS

- Norėdami užtikrinti saugų darbą, prieš pradėdami naudoti gaminį perskaitykite ir supraskite visus nurodymus. Vykdykite visus saugos nurodymus. Vieno iš šių nurodymų nesilaikymas gali sukelti sunkių kūno sužalojimų.
- Niekada neužveskite variklio ir neleiskite varikliui dirbti uždaroje ar prastai vėdinamoje patalpoje, nes kvėpavimas išmetimo dūmais gali būti mirtingas.
- Nelieskite rankomis zonos aplink duslintuvą arba produkto cilindrą, nes eksploatuojant prietaisą šios dalys būna įkaitusios.
- Būtinai išjunkite variklį prieš atikdami bet kokius reguliavimo darbus. Prieš prietaisą tikrindami, reguliuodami ir t.t. palaukite, kol jis atvės.
- Maišydami kurą arba pildydami kuro baką kuru, nerūkykite.
- Maišykite ir saugokite kurą jam specialiai patvirtintame rezervuare.
- Maišykite degalus gryname ore, toli nuo bet kokios kibirkšties ar liepsnos. Nušluostykite išsiliejusius

degalus. Prieš užvesdami variklį, pasitraukite 9 m nuo tos vietos, kur į įrangą pylėte degalus.

- Prieš pildydami kurą ar padėdami jį saugoti visada išjunkite variklį ir palaukite, kol jis atvės.
- Prieš perveždami įrenginį transporto priemonėje palaukite, kol atvės variklis, ištuštinkite degalų baką ir alyvos baką (jei taikoma) ir pritvirtinkite įrenginį, kad nejudėtų.

⚠ ĮSPĖJIMAS

Atleidus droselio spragtuką, o varikliui veikiant tuščiaja eiga, pridėdamas pjovimo įtaisą ar pjovimo grandinę joku būdu negali judėti. Jeigu ji ir toliau juda, gaminį naudojantis asmuo gali sunkiai susižeisti. Neekspluatuokite įrenginio. Gražinkite jį į įgaliotąjį techninio aptarnavimo centrą, kad profesionaliai sureguliuotų.

ĮRENGINIAMS SU ELEKTRA VAROMAI GALIOS AGREGATAIS

⚠ ĮSPĖJIMAS

Perskaitykite visus saugos įspėjimus ir visą instrukciją. Įspėjimų ir instrukcijų nesilaikymas gali sukelti elektros smūgį, gaisrą ir (ar) rimtus sužeidimus.

Saugokite šiuos įspėjimus ir nurodymus, kad galėtumėte vadovautis jais vėliau.

Įspėjimuose nurodytas terminas „elektrinis įrankis“ reiškia elektrinio įrankio naudojimą, jį prijungus prie maitinimo tinklo (laidu) arba maitinimo baterijos (belaids).

DARBO APLINKA

- Darbo vieta turi būti švari ir gerai apšviesta. Nelaimingi atsitikimai įvyksta netvarkingose ar tamsiose vietose.
- Nenaudokite elektrinių įrankių, jei šalia yra degios ir sprogti galinčios medžiagos (skysčiai, dujos ar dulkės). Elektriniai įrankiai kibirkščiuoja ir gali uždegti dulkes arba garus.
- Neleiskite vaikams ir šalia esantiems asmenims būti šalia įjungto elektrinio įrankio. Išsiblaškę galite prarasti kontrolę.

ELEKTROS SAUGA

- Elektrinio įrankio kištukai turi atitikti kištukinių lizdą. Niekada nekeiskite kištuko. Su įžemintais (įžeminimo) elektriniais įrankiais niekada nenaudokite kištukų adapterių. Nepakeisti kištukai ir atitinkantys lizdai sumažina elektros smūgio pavojų.
- Stenkitės nesiliesti prie įžemintų ar įžeminimo paviršių (vamzdžių, radiatorių, grandinių / viryklių, šaldytuvų). Įžemintus savo kūną, padidės elektros smūgio pavojus.
- Gaminio negalima naudoti ar laikyti lietuje ar drėgmėje. Dėl vandens, patekusio į elektrinį įrankį, padidėja elektros smūgio pavojus.
- Laidą naudokite pagal jo paskirtį. Niekada jo nenaudokite elektriniams įrankiams pernešti,



tempti ar išjungti. Saugokite maitinimo laidą nuo karščio, tepalų, aštrių kampų ir judančių detalių. Pažeisti ar supainioti laidai padidina elektros smūgio galimybę.

- Dirbdami su elektriniu įrankiu lauke, naudokite tik lauke naudoti skirtus ilginamuosius laidus. Naudojant tinkamą laukui laidą sumažinama elektros smūgio tikimybė.
- Jei būtina naudotis elektriniu įrankiu drėgnomis oro sąlygomis, naudokite likutinės srovės prietaisą (RCD). Naudojant RCD sumažinama elektros smūgio tikimybė.

ASMENINĖ SAUGA

- Būkite budrūs ir stebėkite, ką darote, bei sąmoningai naudokite elektrinį įrankį. Nesinaudokite įrankiu, kai esate pavargę ar paveikti narkotinių medžiagų, alkoholio ar vaistų. Neatidumas darbo su elektriniu įrankiu metu gali sukelti sunkius sužeidimus.
- Naudokite asmeninės apsaugos įrangą. Visada dėvėkite akių apsaugos priemones. Atitinkamomis sąlygomis naudojamos apsaugos priemonės, pvz. dulkių kaukė, neslystantys apsauginiai batai, šalmas ar apsaugos ausims, sumažina asmeninių sužeidimų pavojų.
- Saugokitės, kad įrankis netyčia neįsijungtų. Įsitinkinkite, kad prieš prijungiant įrankį prie maitinimo šaltinio ir (ar) baterijos, pakeliant ar nešant įrankį, jungiklis yra išjungtas. Nešant elektrinį įrankį, uždėjus pirštą ant jungiklio, arba elektrinį įrankį, kurio jungiklis yra įjungtoje padėtyje, gali įvykti nelaimingas atsitikimas.
- Prieš įjungiant elektrinį įrankį, išimkite derinimo raktą ar veržliaraktį. Jei juos paliksite pridėtus prie besisukančios įrankio dalies, galite susižaloti.
- Nepersitempkite. Visada tvirtai stovėkite ir išlaikykite pusiausvyrą. Tai padės geriau kontroliuoti įrankį netikėtų situacijų metu.
- Dėvėkite tik darbui tinkamus drabužius. Nedėvėkite laisvų, neprigludusių drabužių ir juvelyrinių dirbinių. Saugokite plaukus, drabužius ir pirštines toliau nuo judančių dalių. Laisvi drabužiai, papuošalai ar ilgi plaukai gali įsipainioti į judančias įrankio dalis.
- Jei įrengti dulkių ištraukimo ir surinkimo įrengimai, įsitinkinkite, kad jie prijungti ir naudojami tinkamai. Su dulkelėmis susijusiam pavojui sumažinti naudokite dulkių surinkimą.

ELEKTRINIO ĮRANKIO NAUDOJIMAS IR PRIEŽIŪRA

- Nenaudokite per didelės jėgos. Pritaikykite tinkamą elektrinį įrankį atliekamam darbui. Naudodami pagal paskirtį pagamintą tinkamą elektrinį įrankį, darba atliksite geriau ir saugiau.
- Nenaudokite elektrinio įrankio, jei jungiklio negalite įjungti ir išjungti. Jungikliu nevaldomas elektrinis įrankis yra pavojingas ir jį reikia taisyti.
- Prieš sureguliuojant įrankį, keičiant atsargines dalis ar sandėliavimą atjunkite laidą nuo maitinimo šaltinio ir (ar) akumuliatoriaus. Tokios saugumo priemonės apsaugos nuo atsitiktinio įrankio įsijungimo.

- Laikykite elektrinį įrankį vaikams neprieinamoje vietoje ir neleiskite juo naudotis asmenims, kurie nemoka juo naudotis. Neįgudusiems asmenims elektriniai įrankiai yra pavojingi.
- Prižiūrėkite elektrinius įrankius. Patikrinkite judančių detalių nesutapimus, sukibimą, ar sumontuotos detalės nesulūžusios bei kitą būklę, kuri gali turėti neigiamos įtakos įrankio veikimui. Jei įrankis sugedęs, prieš naudojimą jį reikia suremontuoti. Nemažai nelaimingų atsitikimų įvyksta dėl netinkamai prižiūrimų elektrinių įrankių.
- Pjovimo įrankius reikia pastoviai galsti ir valyti. Tinkamai prižiūrėti aštriais ašmenimis pjovimo įrankiai mažiau stringa ir juos lengviau valdyti.
- Naudokite elektrinius įrankius, atsargines detales, grąžtus ir t. t., pagal šias instrukcijas ir atsizvelgdami į darbo sąlygas bei turimą atlikti darbą. Naudokite elektrinį įrankį tik pagal tiesioginę paskirtį, kitaip sukelsite pavojingą situaciją.

TECHNINIS APTARNAVIMAS

- Elektrinį įrankį turi remontuoti tik kvalifikuoti darbuotojai, kurie naudoja identiškas atsargines dalis. Tai užtikrina elektrinio įrankio saugumą.

PAPILDOMI SAUGOS ĮSPĖJIMAI

- Kai kuriuose regionuose šio gaminio naudojimą tam tikriems darbams apriboja galiojantys įstatymai. Kreipkitės patarimo į vietos įstaigą.
- Niekada neleiskite naudotis šiuo gaminiu vaikams ar asmenims, nesusipažinusiems su šiomis instrukcijomis. Vietos įstatymai gali apriboti įrengimo operatoriaus amžių.
- Prieš kiekvieną naudojimą patikrinkite, ar tinkamai veikia visi valdikliai ir saugos įtaisai. Nenaudokite krūmapjovės, jeigu išjungimo jungikliu nepavyksta sustabdyti variklio.
- Naudodamiesi pjūkle, dėvėkite akių ir klausos apsaugos priemones, mūvėkite tvirtas pirštines ir galvos apsaugos priemones; jeigu dirbant kyla daug dulkių, dėvėkite apsauginę veido kaukę.
- Nedėvėkite dukšlių drabužių, trumpų kelnų ar papuošalų.
- Ilgus plaukus reikia susėti virš pečių lygio, kad neįsipainiotų į judančias dalis.
- Klausos apsaugos priemonių naudojimas sumažina įspėjamųjų garsų (ryksmų arba pavojaus signalų) girdėjimo galimybę. Operatorius turi atkreipti ypatingą dėmesį, kas vyksta darbo vietoje.
- Netoliese naudojant panašius prietaisus padidėja pavojus pakenkti klausai ir galimybe kitiems asmenims patekti į darbo zoną.
- Saugokitės ištiškusių objektų: visi pašaliniai asmenys, vaikai ir naminiai gyvūnai turi būti ne mažiau, kaip 15 m atstumu nuo darbo srities. Į apdirbamą plotą įėjus pašaliniam asmeniui, gaminį reikia sustabdyti.
- Dirbkite gerai apšviestoje aplinkoje. Kad pastebėtų galimus pavojus, prietaisu dirbančiam asmeniui turi būti sudarytos gero matomumo sąlygos.

EN
FR
DE
ES
IT
NL
PT
DA
SV
FI
NO
RU
PL
CS
HU
RO
LV
LT
ET
HR
SL
SK
BG
UK





- Visada tvirtai stovėkite ir išlaikykite pusiausvyrą. Neperšitempkite. Per plačiai užsimojus, galima netekti pusiausvyros ir padidėja atitranskos pavojus.
- Nesinaudokite šiuo prietaisu, kai esate pavargę, sergate, ar esate pavartoję alkoholio, narkotikų ar vaistų.
- Stovėkite toliau nuo visų judančių įrankio detalių.
- Prieš kiekvieną naudojimą apžiūrėkite krūmaprovę. Patikrinkite, ar visi valdikliai tinkamai veikia. Patikrinkite, ar nėra atspalaidavusių tvirtinamųjų elementų ir ar rankenos tinkamai ir saugiai pritvirtintos. Prieš naudodami prietaisą pakeiskite visas pažeistas dalis.
- Niekada nemodifikuokite prietaiso ir nemontuokite dalių bei priedų, kurias naudoti nepataria gamintojas.
- Saugokitės, kad neįvyktų neatsargi klaida, nors jei ir žinote kaip naudotis šiuo įrankiu (dėl dažno jo naudojimo). Nerūpestingai elgiantis, galima susižeisti per sekundės dalį.
- Rankenos ir suėmimo paviršiai turi būti sausi, švarūs ir nesutepti alyva ar tepalais. Jeigu rankenos ar suėmimo paviršiai slidūs, krūmaprovę naudoti ir valdyti nesaugu netikėtomis situacijomis.

ĮSPĖJIMAS

Numetus krūmaprovę, jai stipriai susitrenkus ar pradėjus neįprastai vibruoti, ją reikia nedelsiant sustabdyti ir patikrinti, ar nepakenkta arba nustatyti vibravimo priežastį. Pakenktos dalys turi būti tinkamai sutaisytos arba pakeistos įgaliotame techninio aptarnavimo centre.

ĮRENGINIAMS SU ELEKTRA VAROMAIŠ GALIOS AGREGATAIS

- Elektros maitinimas turi būti paduodamas per prietaisą su srovės atjungimo (RCD), kurio išsijungimo srovės riba neturi būti didesnė, nei 30 mA.
- Jei reikia jungti pailginimo laidą, šis laidas turi būti tinkamas naudoti lauko sąlygomis, o srovė atitikti gaminio maitinimo parametrus. Prieš kiekvieną naudojimą patikrinkite, ar krūmaprovė nepakenkta. Naudojant, būtinai išvynioti laido ritę, nes susukti laidai gali perkaisti.
- Jei pažeidžiamas maitinimo kabelis, prieš naudojant įrenginį reikia jį pakeisti.

GENĖJIMO ĮRANKIO SAUGOS PERSPĖJIMAI

- Jokiū būdu nenaudokite „strypinės“ krūmaprovės, jeigu gali kilti audra su griaustiniu ar prasidėti žaibavimas. Krūmaprovę ir maitinimo laidus laikykite saugiai, patalpoje.
- Patikrinkite, ar visi apsauginiai įtaisai ir rankenos tinkamai sumontuotos ir geros būklės.
- Nepradėkite naudoti krūmaprovės, kol tinkamai neparuoštas genėjimo plotas, nėra tvirto pagrindo po kojomis ir nenumatytas atsitraukimo takas nuo krantinčių šakų ir šakelių.
- Saugokitės nuo tepalų ir pjuvenų skleidžiamos taršos. Jei reikia, dėvėkite veido kaukę ar respiratorių.
- Apkarpant / genint medžius, būtinai laikyti genėjimo

krūmaprovę abiem rankomis. Viena ranka tvirtai suimkite priekinį suėmimo įtaisą. Kita ranka laikykite galinę rankeną ir dirbkite įrenginiu.

- Elektrinį įrankį laikykite tik už izoliuoto paviršiaus, nes pjūklo grandinė gali susiliesti su paslėptais elektros laidais. Pjūklo grandinei prisilietus prie laidų, kuriais teka elektros srovė, neapsaugotomis metalinėmis elektrinio įrankio dalimis taip pat gali pradėti tekėti srovė ir darbuotojas gali patirti elektros smūgį.
- Gaminio negalima modifikuoti ir naudoti su įtaisais ar prietaisais, kurių nerekomenduoja gaminio gamintojas.
- Genėjimo įtaisas parduodamas su saugos diržais. Būtina naudoti jį dirbant genėjimo įtaisu. Ji padeda valdyti genėjimo krūmaprovę, kad baigus genėti, neiškrūtų iš rankų. Ji taip pat padeda atremti krūmaprovės svorį genint ir perkeliat į kitą genėjimo padėtį.
- Nustatykite greito atleidimo mechanizmą ir pasipraktikuokite, kaip juo naudotis prieš pradėdami genėti. Teisingai naudojant šį įtaisą, galima apsaugoti nuo sužeidimų įvykus avarijai. Jokiū būdu nemūvēkite palaidų drabužių virš papildomos atramos ar kitaip nekludykite spartaus atpalaidavimo mechanizmo.
- Prieš paleisdami įrankį, patikrinkite, ar pjūklo grandinė nesiliečia su jokiū objektu.
- Netinkamai įtempta grandinė gali nušokti nuo kreipiamosios juostos ir sukelti sunkų ar net mirtiną sužeidimą. Patikrinkite prieš kiekvieną naudojimą ir dažniau, ypač naują grandinę.
- Siekdami išvengti su judančiomis dalimis susijusių pavojų, prieš atlikdami toliau nurodytus veiksmus būtinai išjunkite įrenginį, atjunkite jį nuo maitinimo šaltinio (jei taikoma) ir įsitinkinkite, kad visos judančios dalys sustojo:
 - valant ar šalinant užsikimšimą
 - gaminio palikimas be priežiūros
 - Montuojant ar nuimant įtaisus
 - atlikite prietaiso patikros arba priežiūros darbus, arba paleiskite jį
- Jei pjovimo juosta paliečia kažkokį daiktą arba jei pjovimo grandinė yra suspaudžiama ir užblokuojama medie- noje pjovimo metu, tai gali atsirasti atšokimas. Kai kuriais atvejais, pjūklo galiukui susilietus su kitais paviršiais, gali įvykti staigi atbulinė reakcija: atitranskos jėga gali priversti kreipiamąją juostą pašokti aukštyn ir pasislinkti atgal link darbuotojo asmens. Grandininio pjūklo kreipiamosios juostos viršaus suspaudimas gali kreiptuvą staiga nukreipti atgal į operatorių. Bet kuriuo iš minėtų atvejų galite nesuvaldyti krūmaprovės ir susižeisti. Nesikliaukite tik įrenginyje integruotais apsauginiais įtaisais. Kaip genėjimo įtaiso naudotojai, jums reikia atlikti kelis veiksmus, kad genint neįvyktų nelaimingų atsitikimų ar traumų. Atatranka įvyksta dėl įrankio netinkamo naudojimo ir (arba) neteisingai atliekamų darbo procedūrų ar netinkamų sąlygų, ir jos galima išvengti ėmusis reikiamų atsargumo priemonių, kaip nurodyta toliau:
 - Jūs galite sumažinti ar pašalinti netikėtumo efektą, suprasdami bendrą atšokimo principą. Netikėtumo efektas prisideda prie nelaimingų atsitikimų.





- Įsitinkinkite, kad plote, kur jūs naudojate savo grandininį pjūklą, nėra kliūčių. Genint, kreipiamojo strypo galiukas negali susiliesti su šakomis, šakelėmis ar kitomis kliūtims.
- Krūmapjovę laikykite suėmę tvirtai abiem rankomis ir atstokite tokioje padėtyje, kad kūnu ir rankomis atlaikytumėte atatrunkos jėgas. Darbuotojas gali valdyti atatrunkos jėgas, jeigu imasi reikiamų atsargumo priemonių. Neatsitraukite nuo genėjimo krūmapjovės.
- Nepersitempkite. Tai padeda išvengti netyčinio galiuko susilietimo ir geriau valdyti krūmapjovę nenumatytomis situacijomis.
- Juostas ir grandines keiskite tik gamintojo nurodytais analogais. Naudojant netinkamus juostas ir grandines, grandinė gali sutrūkti ir (arba) gali išsivystyti atatrunkos jėga.
- Saugiai pagaląsti grandinę gali tik įgudęs specialistas, todėl gamintojas primygtinai rekomenduoja sudilusią ar atšipusią grandinę pakeisti nauja, kurią galima įsigyti iš „Ryobi“ techninės priežiūros bei aptarnavimo centro. Dalies numeris nurodytas šiame instrukcijų vadove pateiktoje gaminio specifikacijų lentelėje.
- Negalima pjauti gyvatvorių pasilypėjus ant kopėčių ar stovint ant kitų nestabilių atramų. Pjaudami, visuomet remkitės savo kojomis į tvirtą žemę. Taip jūs išvengsite pusiausvyros praradimo veiksmo metu.
- Kad nežūtumėte nuo elektros srovės, negenėkite šakų, Kūros yra arčiau, kaip 10 m atstumu nuo orinių elektros linijų.
- Šakas šalinkite dalimis. Prietaiso nenaudokite pavojingose padėtyse. Saugokitės krintančių šakų arba nuo žemės atšokusių šakų.
- Būkite labai atsargūs, kai jūs pjaunate mažo dydžio rąstus ir šakas, kadangi ploni daiktai gali užsikabinti už grandinės ir būti išmesti jūsų kryptimi arba išvesti jus iš pusiausvyros.
- Kai jūs pjaunate įtemptą šaką, būkite pasiruošę greitai pasitraukti, kad negautumėte smūgio, sumažėjus įtempimui medienos pluoštuose.
- Jeigu ilgainiui pablogėja pjovimo kokybė, patikrinkite, ar grandinės dantys aštrūs ir neužsiteršę. Jei būtina, vadovaujantis gamintojo rekomendacijomis, reikia pakeisti originalią grandinę (ir strypą).
- Jeigu grandinė ar strypas suspausti ar įstrigę per aukštai šakose, patarimo dėl saugaus pjovimo įtaisų išpainiojimo kreipkitės į profesionalų medžių genėjimo specialistą.

⚠ ĮSPĖJIMAS

Prieš kiekvieną naudojimą ir dažniau patikrinkite, ar visos veleno movos ant pailginimo strypo ir įrankio saugiai pritvirtintos.

ASMENINĖ APSAUGOS PRIEMONĖS

Profesionalams skirtos geros kokybės asmeninės apsaugos priemonės padės sumažinti darbuotojo sužeidimo riziką. Naudojant krūmapjovę, reikia montuoti šias dalis:

Apsauginį šalmą

- turi atitikti EN 397 standartą arba būti paženklintas „CE“

Klausos apsauga

- turi atitikti EN 352-1 standartą arba būti paženklintas „CE“

Akių ir veido apsauga

- turi būti paženklinta „CE“ ir atitikti EN 166 standartą (apsauginiai akiniai) arba EN 1731 standartą (antveidžiai iš tinkelio)

Pirštines

- turi atitikti EN 381-7 standartą arba būti paženklintas „CE“

Avalynė

- turi atitikti EN 20345 standartą arba būti paženklintas „CE“

NAUDOJIMAS – GENĖJIMAS

- Prieš pradėdami genėti, ištrinkite medžio ir šakų būklę. Pastebėję pakenkimo, puvimo ar irimo požymių, savarankiškai negenėkite krūmų. Pažeistos ar supuvusios šakelės labai nestabilios. Kreipkitės į profesionalų medžių genėjimo specialistą, kad suteiktų paslaugas.
- Jokiu būdu negalima stovėti po genima šaka.
- Genimos šakos ne visada krenta tiesiai ant žemės. Juos nesunkiai įtraukia ir pakeičia kryptį kiti lapai. Pasirūpinkite, kad saugos sritis būtų mažiausiai dukart ilgesnė už pjaunamą šaką ir genėdami išlaikykite šį atstumą. Jeigu krūmus būtina genėti, kreipkitės į atitinkamą įmonę, kad šį darbą atliktų profesionalus medžių tvarkytojas.
- Pasirūpinkite, kad krintančios šakos nekeltų pavojaus jums, aplinkiniams ar turtui (įskaitant komunalinius laidus).
- Jokiu būdu nenaudokite įrankio, jeigu strypas nustatytas didesniu nei 60° kampu nuo horizontalaus paviršiaus.
- Jokiu būdu nenaudokite genėjimo krūmapjovės, kai pjovimo įtaisai arčiau kaip 10m nuo orinių elektros linijų.
- Genint nereikia naudoti jėgos: visą darbą turi atlikti grandinė savo greičiu.
- Nereikia stengtis nupjauti šakos per arti medžio kamieno. Nuo genimo kamieno palikite apie 15 cm atstumą.
- Atremkite pjūklo strypą į genėti numatytą šaką ir švelniai pastumkite pjūklą į priekį, kad briaunotas bamperis taip pat liestųsi su šaka. Tai taip pat suteikia papildomo stabilumo, padeda pjauti ir atlikti švaresnius pjūvius.
- Mažas plono skersmens ir lengvas šakutes galima nugenėti vienu kirčiu apatine pjūklo strypo dalimi.
- Genint didesnio skersmens ar sunkesnes šakas, kai šaka pjaunant gali lūžti ar skilti, pirma reikia pjūklo strypo viršutine dalimi apgenėti po šaka. Pjaukite maždaug trečdajį šakos. Tuomet atlikite antrą pjūvį nuo viršutinės šakos dalies apatine pjūklo strypo dalimi, kad pjūviai susijungtų.



- Dideles šakas genėkite dalimis, ne visas.
- Jokiū būdu nepradėkite iš naujo ankstesnio genėjimo, jeigu grandinė ar strypas nustatyti į pirmesnio pjovimo padėtį. Būtinai pradėti naują genėjimą. Tai sumažina atatraknos ir potencialių sužeidimų pavojų.

GABENIMAS IR LAIKYMAS

ĮRENGINIAMS SU BENZINU VAROMAIŠ GALIOS AGREGATAIS

- Prieš padėdami į sandėlį arba išgabenant, kultivatorių reikia sustabdyti ir palaukti, kol jis atšals.
- Nuo įrankio nuvalykite visas pašalines medžiagas.
- Padėdami krūmapjovę ilgam į sandėlį (mėnesiui ar ilgesniam laikui), pasirūpinkite, kad grandinė būtų lengvai sutepta, kad nerūdytų. Gamintojas pataria naudoti „Ryobi“ strypo ir grandinės tepalą, kurį galima įsigyti iš „Ryobi“ įgaliotojo techninio aptarnavimo centro.
- Prieš padėdami krūmapjovę į sandėlį ar gabendami, uždėkite ant pjūklo strypo makštį.
- Išpilkite visus bake likusius degalus į indą, oficialiai skirtą benziniui laikyti. Neužmirškite tinkamai užsukti ir priveržti degalų bako dangtelį.
- Prireikus, visą alyvą iš talpyklos išleiskite į alyvai laikyti pritaikytą indą. Neužmirškite tinkamai užsukti alyvos indo dangtelį.
- Tegul variklis sukasi, kol jis sustos. Tai pašalina visus degalus, kurie gali pasenti ir degalų sistemoje palikti laką bei gumą.
- Laikykite vėsioje, sausoje, gerai vėdinamoje ir vaikams nepasiekiamoje vietoje. Nelaikykite jo arti nuo tokių koroziją sukeliančių reagentų kaip cheminės sodininkystės medžiagos arba druskos, naudojamos prieš apledėjimą.
- Nelaikykite lauke.
- Paruošiant gabenimui, gaminį reikia pritvirtinti, kad nejudėtų ir nenukristų, nes priešingu atveju jis gali sužaloti žmones arba sugesti pats.
- Niekada neneškite ir negabenkite prietaiso, kai jis veikia.
- Remkitės nacionaliniais ir vietiniais įstatymais dėl degalų saugojimo ir manipuliavimo jais.

TRUMPALAIKIS LAIKYMAS

- Prieš padėdami į sandėlį ar gabendami, sustabdykite įrenginį ir leiskite jam ataušti.
- Nuo įrankio nuvalykite visas pašalines medžiagas.
- Prieš padėdami įrankį saugoti ar jį pervežant, geležtę visada uždenkite apsauginiu gaubtu.
- Laikykite vėsioje, sausoje, gerai vėdinamoje ir vaikams nepasiekiamoje vietoje.
- Nelaikykite jo arti nuo tokių koroziją sukeliančių reagentų kaip cheminės sodininkystės medžiagos arba druskos, naudojamos prieš apledėjimą.
- Nelaikykite lauke.

ĮRENGINIAMS SU ELEKTRA VAROMAIŠ GALIOS AGREGATAIS

- Sustabdykite gaminį, atjunkite nuo maitinimo tinklo ir suvyniokite kabelį. Leiskite varikliui visiškai atvėsti.
- Nuo įrankio nuvalykite visas pašalines medžiagas. Laikykite vėsioje, sausoje, gerai vėdinamoje ir vaikams nepasiekiamoje vietoje. Nelaikykite jo arti nuo tokių koroziją sukeliančių reagentų kaip cheminės sodininkystės medžiagos arba druskos, naudojamos prieš apledėjimą. Nelaikykite lauke.
- Padėdami krūmapjovę ilgam į sandėlį (mėnesiui ar ilgesniam laikui), pasirūpinkite, kad grandinė būtų lengvai sutepta, kad nerūdytų. Gamintojas pataria naudoti „Ryobi“ strypo ir grandinės tepalą, kurį galima įsigyti iš „Ryobi“ įgaliotojo techninio aptarnavimo centro.
- Prieš padėdami krūmapjovę į sandėlį ar gabendami, uždėkite ant pjūklo strypo makštį.
- Ruošdami gabenimui, nejudamai pritvirtinkite įrenginį, kad gabenant nenukristų ir nesužeistų žmonių arba nesugestų pats.

PRIEŽIŪRA

⚠ ĮSPĖJIMAS

Keitimui naudokite tik originalias gamintojo atsargines dalis. Neoriginalios dalys gali būti sužeidimų ir įrenginio blogo veikimo priežastis, ir dėl to gali būti anuliuotas garantinis pažymėjimas.

⚠ ĮSPĖJIMAS

Aptarnavimą atlikti būtina itin atidžiai, todėl rekomenduojame, kad techninę apžiūrą vykdytų kvalifikuotas specialistas. Techninei apžiūrai atlikti patariame gražinti prietaisą į artimiausią įgaliotą sąslaugų teikimo tarnybą. Sugedusias detales keiskite tik originaliomis detalėmis.

⚠ ĮSPĖJIMAS

Grandinė yra labai aštri. Kad nesusižeistumėte, valydami, uždėdami ar nuimdami grandinės makštį, būkite atsargūs ir būtinai mūvėkite apsaugines pirštines prižiūradami grandinę.

⚠ ĮSPĖJIMAS

Dėl netinkamos grandinės priežiūros kyla atatraknos pavojus. Jei jūs nekeisite ar netaisote sugadintos grandinės, tai jūs statote save į sunkių kūno sužalojimų pavojų.

- Išjunkite produktą ir (arba) atjunkite jį nuo elektros energijos tiekimo bei pasirūpinkite, kad visos judančios dalys visiškai sustotų ir tik tada vykdykite bet kokius techninės priežiūros ar valymo darbus.
- Prietaisą galite reguliuoti ir remontuoti, kaip aprašyta šiame naudotojo vadove. Dėl kitų remonto darbų kreipkitės į įgaliotą techninio aptarnavimo centrą.

- Vadovaukitės tepimo bei grandinės įtempimo patikros ir reguliavimo nurodymais.
- Po kiekvieno panaudojimo nuvalykite įtaiso korpusą ir rankenas minkšta sausa servetėle.
- Dažnai tikrinkite visas varžles, varžtus ir sraigtus, ar jie tvirtai laikosi ir ar gaminys yra saugios darbo būklės stovyje. Bet kurią apgadintą detalę leidžiama remontuoti arba keisti tik autorizotame aptarnavimo centre.

Priežiūros tvarkaraštis

Kasdienė patikra	
Strypo tepalas	Prieš kiekvieną naudojimą
Grandinės įtempimą	Prieš kiekvieną naudojimą ir dažnai
Grandinės aštrumą	Prieš kiekvieną naudojimą, vizualinė patikra
Ar nėra sugadintų dalių	Prieš kiekvieną naudojimą
Ar nėra atsipalaidavusių spaustukų	Prieš kiekvieną naudojimą
Degalų mišinys arba degalai ir tepalas (tik su benzine įrenginio galvute)	Prieš kiekvieną naudojimą
Sankabos įsijungimas (tik su benzine įrenginio galvute) (veikiant tuščiosios eigos apsuksomis grandinė turi nejudėti)	Prieš kiekvieną naudojimą
Maitinimo kabelio sveikumas (tik su elektrine įrenginio galvute)	Prieš kiekvieną naudojimą

ŠALUTINIAI PAVOJAI

Net naudojant gaminį pagal nurodymus, neįmanoma visiškai atmesti visų pavojaus veiksnių. Gali kilti toliau nurodyti pavojai, todėl operatorius turi būti itin dėmesingas, kad išvengtų šių dalykų:

- Vibracijos sukeltas sužalojimas. Kiekvieną darbą atlikite jam skirtu įrankiu, naudokite atitinkamas rankenas ir ribokite darbo bei buvimo sveikatai žalingoje aplinkoje laiką.
- Ilgai būnant triukšme, galima pakenkti klausai. Dėvėkite akių apsaugą ir ribokite poveikio trukmę.
- Prisilietimas prie atvirų pjūklo grandinės dantukų (įsijavimo pavojus).
- Nenumatytas, staigus apsaugo kreiptuvo judėjimas (įsijavimo pavojus).
- Pjūklo grandinės išmetamos dalys (pjovimo / įpurškimo pavojai).
- Pjaunant ruošinį iššokančios dalys (medienos skiedros, atplaišos, šipuliai).
- Pjuvenų ir dalelių įkvėpimas.
- Tepalų / alyvos patekimas ant odos.

RIZIKOS MAŽINIMAS

Turime pranešimų, kad vibracija nuo ranka laikomų įrankių kai kuriems asmenims gali turėti neigiamos įtakos vystantis Raynaud sindromui. Šios ligos požymiai yra pirštų dilgčiojimas, nutirpimas ir pabalimas, paprastai pasireiškiantis nuo šalčio. Šie simptomai vystosi dėl paveldimų veiksnių, nesisaugant nuo šalčio ir drėgmės, dėl mišybės, rūkymo ir darbo praktikos. Operatorius gali imtis šių priemonių, kurios gali sumažinti vibracijos poveikį:

- Apsirenkite kuo šilčiau šaltu oru. Dirbant šiuo prietaisu mūvėkite pirštines, kad plaštakos ir riešai būtų laikomi šiltai. Turime pranešimų, kad Raynaud sindromas labiausiai vystosi nuo šalto oro sąlygų.
- po darbo kiekvieną kartą pasportuokite, kad pagerėtų kraujotaka;
- dažnai darykite darbo pertraukas. Atribokite darbo laikotarpį per dieną.

Jei jums pasireiškia kokie nors šios būklės simptomai, nedelsdami nutraukite darbą ir kreipkitės į gydytoją.

⚠ ĮSPĖJIMAS

Ilgiau naudojant, įrankis kelia sužeidimų pavojų ir apsunkina darbą. Ilgiau naudojant įrankius, reikia reguliariai daryti pertraukas.

PAŽINKITE SAVO GRANDININĮ PJŪKLĄ

Žr. 175 psl.

1. Pjovimo grandinė
2. Apsaugas
3. Šešiakampę varžę
4. Grandininio rato gaubtas
5. Makštis
6. Alyvos dangtelis / lygio matuoklis
7. Plieninis vamzdelis
8. Prietaiso laikiklis

SIMBOLIAI ANT ĮRENGINIO



Pranešimas apie saugumą



Prieš naudodami įrenginį, atidžiai perskaitykite instrukcijas, laikykitės įspėjimų ir saugos nurodymų.



Dėvėkite akių, ausų ir galvos apsaugą.



Naudodamiesi šiuo gaminiu visada avėkite avalynę neslystančiais padais.



Mūvėkite neslystančias, tvirtas apsaugines pirštines.



Nenaudoti lyjant ar esant drėgnoms sąlygoms.



Elektros pavojus, gaminio negalima naudoti arčiau kaip 10 m atstumu nuo antžeminių elektros perdavimo linijų



Saugokitės išmetamų arba skrendančių objektų. Visi pašaliniai asmenys, ypač vaikai ir naminiai gyvūnai, turi būti ne arčiau kaip 15 m nuo darbo vietos.



Prieš naudodami įrenginį būtinai nuimkite antdėklą.



Styropo ir grandinės alyva



Grandinės judėjimo kryptis



Šis prietaisas atitinka visas reglamentuotas normas ES šalies, kur jis buvo nupirktas.



„EurAsian“ atitikties ženklas



Elektrinių produktų atliekos neturi būti metamos kartu su namų ūkio atliekomis. Prašome perdirbkite jas ten, kur yra tokios perdirbimo bazės. Dėl perdirbimo patarimo kreipkitės į savo vietinę savivaldybę ar pardavėją.



Ukrainos atitikties ženklas

Šie signaliniai žodžiai yra skirti nurodyti su prietaiso naudojimu susijusio pavojaus lygį.

⚠ PAVOJUS

Reiškia ypač pavojingą padėtį, kurios neišvengus bus patirti sunkūs ar net mirtini sužeidimai.

⚠ ĮSPĖJIMAS

Reiškia potencialiai pavojingą situaciją, kurios neišvengus galimi sunkūs ar net mirtini sužeidimai.

⚠ ATSARGIAI

Reiškia potencialiai pavojingą situaciją, kurios neišvengus galimi lengvi ar vidutinio sunkumo sužeidimai.

ATSARGIAI

Be įspėjamųjų simbolių

Reiškia nuosavybės žalos tikimybę.

Külgekinnitava oksasae juures on peetud esmatähtsaks ohutust, töövõimet ja töökindlust.

OTSTARBEKOHANE KASUTAMINE

Seda külgekinnitava oksasae võib kasutada kõikide firma Ryobi/Homelite bensiinimootoritega, mille töömaht on kuni 30cc või RPH1200, RLT1238I, RBC1226I elektrimootoriga. Puhurit tohivad kasutada täiskasvanud, kes on lugenud läbi selles kasutusjuhendis ja vastava mootori kasutusjuhendis olevad juhised ja hoiatused ning saavad neist aru, ja kes suudavad oma tegevuse eest vastutada. See toode on ette nähtud kasutamiseks vaid väljaspool ruume. Ohutuse tagamise eesmärgil peab töötamise ajal hoidma tööriista kahe käega, et seda saaks piisavalt kontrollida.

Seade on ette nähtud selliste peenikeste tüvede ja okste saagimiseks, mille läbimõõt on saelati pikkusest väiksem või võrdne ja mis on sellisel kõrgusel, et operaator saab kindlalt maapinnal seistes neid saagida. Seadme konstruktsioon võimaldab vart pikendada pikkuseni 2.6 m. Ärge ületage seadme tööpikkust.

See ei ole ette nähtud olukorras, kus on vaja ronida või tavaluukorras saagimisel, kui maapinnalt oksa laasida või kärpida.

⚠ HOIATUS

Seadme kasutamisel tuleb järgida ohutusreegleid. Teie ja kõrvalseisjatele ohutuse tagamiseks lugege käesolevaid juhiseid enne seadme kasutamist läbi. Hoidke juhend edaspidiseks kasutamiseks alles.

⚠ HOIATUS

Tööorgan ei ole ette nähtud kasutamiseks bensiinimootoriga ajampeadele, millel on juhtraud.

OHUTUSE ÜLDEESKIRJAD

BENSIINIMOOTORIGA KASUTAMISEKS

- Ohutuse tagamiseks lugege enne toote kasutamist kõik juhised läbi ja veenduge, et olete neist aru saanud. Järgige kõiki ohutuseeskirju. Allpool loetletud ohutuseeskirjade mittejärgimine võib kaasa tuua tõsiseid kehavigastusi.
- Ärge käivitage ega käitage mootorit suletud või halvasti ventileeritud kohas, sest heitgaasid võivad olla surmavad.
- Ärge katsuge toote summuti või trummeli ümbrust - töötamise ajal lähevad need kuumaks.
- Peatage mootor alati enne iga reguleerimistööd. Enne mistahes ülevaatus, reguleerimise jne tööde alustamist laske masinal maha jahtuda.
- Kütuse segamise või tankimise ajal ärge suitsetage.
- Kütusesegu segage ja hoidke kütuse jaoks heaks kiidetud nõus.
- Segage kütust välitingimustes, kus pole tuleohtu. Pühkige ära mahavoolanud kütus. Enne mootori käivitamist minge tankimiskohast 9 m (30 jala)

kaugusele.

- Enne tankimist või hoiulepanekut seisake mootor ja laske maha jahtuda.
- Laske mootoril jahtuda; (vajadusel) tühjendage kütte- ja õlipaak ning enne transportimist kinnitage tööriist nii, et see sõidu ajal ei liiguks.

⚠ HOIATUS

Kui gaasipäästik on vabastatud ja mootor töötab tühikäigul, tuleb löikeorgan või kett eemaldada. Kui see jääb liikuma, on oht, et operaator võib kehavigastusi saada. Ärge seadet kasutage. Andke seade hoolduskeskusesse, kus seda pädevalt hooldatakse.

ELEKTRIMOOTORIGA KASUTAMISEKS

⚠ HOIATUS

Lugege kõik ohuhoiatused ja juhised läbi. Hoiatuste ja juhiste eiramisel on oht saada elektrilööki või raskeid kehavigastusi ning/või põhjustada tulekahju.

Hoidke kõik hoiatused ja juhised tulevikus vaatamiseks alles.

Hoiatuses kasutatav termin „elektritööriist“ tähendab mehaanilist tööriista, mis saab toidet elektrivõrgust (juhtmega) või akust (ilma juhtmata).

TÖÖKOHT

- Hoidke töökoht puhas ja hästi valgustatud. Korrastamata ja pimedas kohas töötamisel võivad juhtuda õnnetused.
- Ärge kasutage elektritööriistu plahvatusohtlikes keskkondades, näiteks kergestisüttivate vedelike ja gaaside läheduses ega tolmuses kohas. Elektritööriistad tekitavad sädemeid, mis võivad tolmuga või aurud süüdata.
- Elektritööriista töötamisel hoidke lapsed ja kõrvalised isikud eemal. Tähelepanu hajumise korral võib teil kontroll kaduda.

ELEKTRIOHUTUS

- Elektritööriistade pistikud peavad pistikupesast sobima. Ärge püüdke pistiku konstruktsiooni mingil moel muuta. Ärge ühendage maanduskontaktiga (kordusmaandusega) elektritööriistu elektrivõrku läbi vahepistmike. Pistiku ja pistikupesast konstruktsiooni muutmise korral tekib elektrilöögi oht.
- Hoiduge kehalisest kontaktist maandatud pindadega, näiteks torud, radiaatorid, elektriliidid ja külmikud. Kehaosade maandamisel suureneb elektrilöögi saamise oht.
- Ärge jätke kultivaatorit vihma kätte või märga kohta. Vee sattumisel elektrilise tööriista sisemusse suureneb elektrilöögi saamise oht.
- Ärge kasutage toitejuhet mittesihipäraselt. Ärge kasutage toitejuhet tööriista kandmiseks, vedamiseks või pistikupesast väljatõmbamiseks. Hoidke toitejuhte eemal kuumusest, õlist, teravatest servadest ja liikuvatest osadest. Vigastatud või



keerduv toitekaablid suurendavad elektrilöögi ohtu.

- Väljas töötamisel kasutage välistingimustes kasutamiseks sobivaid pikendusjuhtmeid. Välistingimustele sobiva pikendusjuhtme kasutamine vähendab elektrilöögi ohtu.
- Kui elektritööriistaga töötamine niisketes oludes on vältimatu, siis kasutage rikkevoolu-kaitSELÜLITIGA (RCD) kaitsitud vooluvõrku. RCD kasutamine vähendab elektrilöögi ohtu.

ISIKUKAITSE

- Mehaanilise tööriistaga töötamisel jälgige tööpiirkonda ja kasutage sealjuures tervet mõistust. Ärge kasutage tööriista siis, kui te olete väsinud, uimastite, alkoholi või ravimite mõju all. Hetkeline tähelepanu hajumine tööriista kasutamise ajal võib põhjustada raske kehavigastuse.
- Kasutage isikukaitsevahendeid. Kandke alati silmakaitsevahendeid. Kui tööolud seda nõuavad, tuleb kasutada isikukaitsevahendeid, näiteks tolmu maski, libesemiskindlaid turvajalatsaid, kiivrit ja kuulmiskaitsevahendeid, mis kehavigastuste riski vähendavad.
- Vältige tahtmatut käivitumist. Enne toitejuhtme või aku ühendamist, tööriista kättevõtmist või teisaldamist veenduge, et tööriista lüliti on välja lülitatud. Õnnetuste vältimiseks ärge hoidke tööriista kandmise ajal sõrme lülitisnupul ega ühendage tööriista toitevõrku siis, kui lüliti on sisse lülitatud.
- Enne tööriista sisselülitamist eemaldage sellelt reguleerivõti või nutrivõti. Elektritööriista külge jäetud reguleerivõti või nutrivõti võivad põhjustada raske kehavigastuse.
- Ärge kummardage. Hoidke end pidevalt jalgadel ja tasakaalus. Siis on teil ootamatu olukorra tekkimisel tööriista üle parem kontroll.
- Kandke tööks sobivat riietust. Ärge kandke lõtvu riideid ja ehteid. Hoidke juuksed, riietusesemed ja töökindad liikuvatest osadest eemal. Lõdvad riietusesemed, ehted ja pikad juuksed võivad haakuda liikuvate osade külge.
- Kui tööriistal tuleb kasutada tolmu eraldamis- või kogumisseadisi, siis veenduge, et need on ühendatud ja nõuetekohases kasutuses. Tolmukoguri kasutamisega saab vähendada tolmu seotud ohtusid.

ELEKTRITÖÖRIISTA KASUTAMINE JA KORRASHOID

- Ärge kasutage töötamisel liigset jõudu. Kasutage tööks sobivat elektritööriista. Õigesti valitud elektritööriist töötab ettenähtud võimsuspiirkonnas paremini ja ohutult.
- Ärge kasutage elektritööriista, kui lüliti ei lülita seda sisse ja välja. Lülitiga lülitamatu tööriista kasutamine on ohtlik ja see tuleb lasta ära remontida.
- Enne tööriista reguleerimist, tarvikute vahetamist või hoiustamist võtke toitejuhe pistikupesast välja ja/või eemaldage aku. Need ennetavad ohtusmeetmed vähendavad tööriista tahtmatu käivitumise riski.

- Hoidke kasutuses mitteolevaid elektritööriistu lastele kättesaamatus kohas ja ärge lubage elektritööriista mitte tundvaid või kasutusjuhendiga mitte tutvunud isikuid elektritööriista kasutada. Oskamatu kasutaja käes olev elektritööriist on ohtlik.
- Mehaaniliste elektritööriistade hooldus. Kontrollige liikuvate osade mittesentreeritust ja kinnitumist, osade vigastusi ning teke kindlaks muud seisundid, mis võivad mõjustada elektritööriista tööd. Kui mõni osa on vigastatud, siis laske elektritööriist enne kasutamist ära parandada. Halvasti hooldatud elektritööriistad põhjustavad palju õnnetusi.
- Hoidke lõiketerad teravad ja puhtad. Teravate lõiketeradega ja nõuetekohaselt hooldatud lõikeriistad jäävad harvemini kinni ning neid on kergem kontrolli all hoida.
- Tööriistade, tarvikute, otsakute ja muude lisaseadmete kasutamisel juhendage nende kasutusjuhenditest, võttes arvesse tehtavat tööd ja tööolusid. Tööoperatsiooniks mitte ettenähtud tööriista kasutamine võib tekitada ohtliku olukorra.

TEENINDAMINE

- Laske oma elektrilist tööriista hooldada väljaõppinud teenindustöötajal; remontimisel tohib kasutada ainult originaalvaruosi. See tagab elektriseadme ohutuse.

TÄIENDAVAD OHUTUSJUHISED

- Mõnedes piirkondades on seadused, mis piiravad toote kasutamist teatud tööde tegemiseks. Lisateavet saate kohalikust omavalitsusest.
- Ärge laske toodet kasutada lastel või inimestel, kes ei ole käesoleva juhendiga tutvunud. Kohalikud regulatsioonid võivad seada kasutaja vanusele piiranguid.
- Enne seadme kasutamise alustamist veenduge, et kõik juht- ja ohtusseadised töötavad nõuetekohaselt. Kui mootor nupule OFF vajutamisel välja ei lülitu, ärge seadet kasutage.
- Kandke seadme kasutamisel silmi täielikult katvaid ja kuulmist kaitsvaid kaitsevahendeid, tugevaid kindaid ja peakaitset; kui töökeskkond on tolmune, kasutage näomaski.
- Ärge kandke lõtvu riideid, lühikesi pükse ega mingeid ehteid.
- Kinnitage pikad juuksed õlgadest kõrgemale, et vältida nende takerdumist liikuvate osade vahele.
- Kuulmiskaitsevahendid takistavad häälohatuste (hüüded ja helisignaaliid) kuulmist. Operaator peab seda arvesse võtma ja pöörama täiendavat tähelepanu sellele, mis toimub tema töökohal.
- Mitme sarnase seadme töötamisel samas piirkonnas suurendab kuulmiskahjustuse riski töötajal ja inimestel, kes tööpiirkonda sisenevad.
- Hoidke kõik kõrvalseisjad, lapsed ja lemmikloomad vähemalt 15 meetri kaugusel. Kui keegi tööpiirkonda siseneb, siis seisake kultivaator.
- Ärge kasutage seadet halva valgustatuse korral.



Töötajal peab tööpiirkonnale olema selge väljavaade, et tuvastada võimalikud ohtud.

- Hoidke kindlat jalgade asendit ja tasakaalu. Ärge kummardage. Liigse ette küünitamine tõttu võite kaotada tasakaalu ja suureneb tagasilöögi oht.
- Ärge kasutage seadet väsinuna või haigena ega siis, kui olete uimaste, alkoholi või ravimite mõju all.
- Hoidke kõik kehaosad liikuvatest osadest eemal.
- Kontrollige seade iga kord enne kasutamist üle. Kontrollige üle kõikide juhtseadiste toimimine. Kontrollige üle lõtvunud kinnitite suhtes ja veenduge, et kõik kaitsed ja käepidemed on õigesti ja ohutult kinnitatud. Enne kasutamist asendage kõik vigastatud koosteosad.
- Ärge püüdke seadme konstruktsiooni mingil viisil muuta ega kasutage varuosi või tarvikuid, mis pole tootja poolt soovitatud.
- Ärge muutuge hooletuks (kui olete seadmega korduvalt töötanud), sest see võib põhjustada vigu. Hooletu tegutsemine võib põhjustada raske kehavigastuse mõne sekundi murdosa jooksul.
- Hoidke tööriista käepidemed ja haardepinnad kuivana, puhtana ja ärge laske neile sattuda õli või määret. Libedad käepidemed ja haardepinnad ei võimalda tööriista turvaliselt haarata ja ootamatutes olukordades kontrollida.

HOIATUS

Kui seade on maha kukkunud, saanud tugeva löögi või hakkab ebanormaalselt vibreerima, seisake seade viivitamatult ja kontrollige see üle vigastuste suhtes. Kõik vigastused tuleb lasta volitatud hooldustöökohas parandada või asendada.

ELEKTRIMOOTORIGA KASUTAMISEKS

- Elektriline tööriist tuleb ühendada vooluvõrku läbi rikkevoolu-kaitselüliti (RCD), mille rakendamisvoolu tugevus on maksimaalselt 30 mA.
- Kui teil on vaja kasutada pikendusjuhet, veenduge et see on välistingimuste jaoks sobiv ja teie tööriista jaoks piisava ristlõikega. Kontrollige seda enne iga kasutamist vigastuste suhtes. Kerige see alati lahti, sest kokku keeratud juhe võib üle kuumeneda.
- Kui toitekaabel saab kahjustada, tuleb see enne kasutamist asendada uuega.

OKSASAE OHUTUSJUHISED

- Ärge mingil juhul kasutage oksasaagi kui on tormi või äikese oht. Hoidke oksasaagi ja toitekaableid ruumides ohutus kohas.
- Veenduge, et kõik kaitsekatted ja käepidemed on nõuetekohaselt kinnitatud ning heas seisundis.
- Ärge alustage toote kasutamist enne kui tööpiirkond on vaba, teil on kindel jalgealune ja varem plaanitud taganemistee langevate okste või tüve eest.
- Kaitske end määrdaineudu ja saepuru eest. Kandke vajadusel maski või respiraatorit.
- Hoidke oksasaagi töötamise ajal kinni mõlema käega.

Haarake ühe käega eesmisest käepidemest. Haarake teise käega tagumisest käepidemest ja juhtige tööriista.

- Hoidke tööriista kinni ainult isoleeritud haardepindadest, sest kettsaag võib sattuda kokkupuutesse varjatud juhtmetega. Kui kettsaag satub kontakti pinge all olevate juhtmetega, jäävad tööriista isoleerimata metallosad pingele alla ja kasutaja võib saada elektrilöögi.
- Ärge püüdke seadet mingil moel muuta või kasutada seda mingite seadmete või seadiste käitamiseks, mis ei ole tootja poolt soovitatud.
- Oksasae kompleksis on rakmed. Peate seda kasutama oksasae kasutamisel. See aitab teil hoida oksasaagi, kui see hakkab pärast oksa läbisaagimist kukkuma. See aitab teil taluda seadme massi kasutamise ajal ja asendi muutmisel okste lõikamise vahel.
- Tehke kindlaks, kuidas kasutada kiirvabastusmehhanismi ja proovige seda enne kasutamise alustamist. Selle õige kasutamine võimaldab ära hoida hädaolukorras tekkida võiva raske kehavigastuse. Ärge mingil juhul kandke rakmete peal riietusesemeid, muidu piirate juurdepääsu kiirvabastusmehhanismile.
- Enne kettsae käivitamist veenduge, et saekett ei puutu millegi vastu.
- Valesti pingutatud kett võib juhtlatilt maha tulla ja põhjustada sellega raske kehavigastuse või surma. Kontrollige enne töö alustamist ja regulaarselt, eriti pärast uue keti paigaldamist.
- Et vähendada liikuvate osadega seotud vigastuse ohtu, peatage alati tööriist ja (vajadusel) ühendage toitekaabel lahti ning veenduge, et kõik liikuvad osad on peatunud enne:
 - puhastamine ja ummistuse kõrvaldamine
 - toote jätmisel järelevalveta
 - tarvikuid paigaldama või eemaldama.
 - seadme kontrollimine, puhastamine või teenindamine
- Tagasilööki võib esineda juhul, kui juhiku ots puudutab mõnd eset või kui saekett puidu sisse kinni jääb. Otsa kontakt võib mõnel juhul põhjustada ootamatu vastureaktsiooni, lüües juhtlati üles ja operaatori suunas. Saeketi kinnijäämine juhtlati otsas võib lükata juhtlati kiiresti tagasi operaatori suunas. Mõlemad kirjeldatud reaktsioonid võivad tingida kontrolli kadumise seadme üle, mis võib põhjustada tõsise kehavigastuse. Ärge lootke üksnes tööriistas olevatele kaitsevadmetele. Oksasae kasutajana tuleb teil võtta mitmeid meetmeid, et teha saagimistöö ilma õnnetuste või kehavigastusteta. Tagasilööki on sae väära kasutamise, ebaõigete töövõtete või tööks mittevastavate töötingimuste tulemus ja seda saab vältida allpool esitatud ettevaatusabinõude rakendamisega.
 - Tagasilöögi mehaanika mõistmine aitab vältida üllatusmomenti. Üllatus aga suurendab vigastuste ohtu.
 - Ärge laske juhiku otsal puutuda kokku palgi, oksa, tara ega muude objektidega. Ärge laske juhtlati otsa tüve, okste, piirde või muude takistustega kokkupuutesse.



- Tagasilöögist tulenevate jõudude vastuvõtmiseks kasutage oma keha ja käsivart ning hoidke tööriistast tugevasti kinni. Operaatoril on võimalik tagasilöögist tekkivaid jõudusid hallata, kui selleks vastavaid meetmeid võtta. Ärge laske oksasaagi käest lahti.
- Ärge kummardage. See aitab vältida soovimatut otsakontakti ja võimaldab ootamatu olukorra tekkimisel seadme üle kontrolli säilitada.
- Kasutage ainult tootja poolt ette nähtud juhtlatti ja ketti. Vale juhtlatti ja -kett võib põhjustada keti katkemise ja/või tagasilöögi.
- Saeketi teritamine nõuab professionaalseid oskusi. Seetõttu soovib tootja tungivalt kulunud ja nüri saeketi asendada uuega, mis on saadaval Ryobi hoolduskeskusest. Toote number on saadaval selle kasutusjuhendi seadme tehniliste andmete tabelis.
- Ärge kasutage seadet redelil või mõnel muul ebakindlal alusel. Vältimaks tasakaalu kaotamist hoidke saagides raskust mõlemal jalal.
- Elektrilöögi eest kaitsmiseks ärge töötage õhuliinide lähemal kui 10 m.
- Eemaldage oksad osade kaupa. Ärge kasutage seadet ohtlikes asendites. Hoidke end kukkuvate okste ja nende tagasilöökidest eest maapinnale kukkumisel.
- Olge äärmiselt ettevaatlik väikeste puuvõsude ja võsa lõikamisel, sest peenem materjal võib haakuda keti külge ning see võib lennata teie poole või tõmmata teid tasakaalust välja.
- Pinge all oleva oksa saagimisel hoolitsege, et te sellega pihta ei saaks, kui puukiududes olev pinget vabaneb.
- Kui saagimise tootlikkuse aja jooksul väheneb, kontrollige saeketi hammaste teravust ja puhtust. Vajaduse korral asendage originaalkett (ja saelatt) vastavalt tootja soovistustele.
- Kui saag jääb kinni nii kõrgele, et selleni ei ulatu, küsige abi kutselistelt saagimisspetsialistidelt, kuidas saagi ohutult kätte saada.

HOIATUS

Enne iga kasutamist ja regulaarselt, et kõik pikendatava varda kõik kinnitid ja tööriist on turvaliselt kinnitatud.

ISIKUKAITSEVAHENDID

Saagija vigastamise riski vähendamiseks kasutage kvaliteetseid isikukaitsevahendeid. Seadme kasutamisel kasutage järgmisi vahendeid.

Kaitsekiiver

- peab vastama standardi EN 397 nõuetele ja olema CE-märgisega

Kuulmiskaitsevahendid

- peab vastama standardi EN 352-1 nõuetele ja olema CE-märgisega

Silma- ja kuulmiskaitsevahendid

- peavad olema CE-märgisega ja vastama standardi EN 166 nõuetele (turvapillid) või standardi EN

1731 nõuetele (võrkvisiir)

Kaitsekindad

- peab vastama standardi EN 381-7 nõuetele ja olema CE-märgisega

Jalatsid

- peab vastama standardi EN 20345 nõuetele ja olema CE-märgisega

KASUTAMINE – OKSTE LÕIKAMINE

- Enne töö alustamist uurige puu ja okste seisundit. Kui puul ilmneb haiguse märke, mädanikke või kõdunemist, ärge selle puu okse hakake ise lõikama. Vigastatud ja mädanenud oksad on väga ebastabiilsed. Jätke see töö kutselistele saagijatele.
- Ärge seiske mahalõigatava oksa all.
- Lõigatav oks ei kuku maapinnale alati sirgjooneliselt. Need võivad lihtsalt haarduda ja suunda muuta muu lehestiku kaudu. Tagage okste saagimise ajal, et teil on pidevalt ohutsoon, mis on vähemalt kahekordne oksa pikkus. Kui teil on kahtlusi, jätke see kutselistele saagijatele.
- Töötage nii, et allakukkuv oks ei ole ohuks teile, kõrvalseisjatele ja varale, kaasa arvatud elektrikaablid.
- Ärge kasutage varrega tööriista nurga all, mis on suurem kui 60° horisontaali suhtes.
- Ärge kunagi kasutage oksasaagi nii, et lõikeorgan on õhuliinide lähemal kui 10m.
- Ärge suruge seadmele, laske ketil vabalt lõigata omal kiirusel.
- Ärge püüdke lõigata oksa liiga tüve lähedalt. Jätke alles umbes 15 cm lõigatavast tüvest.
- Toetage saelatt lõigatavale oksale ja suruge saagi kergelt ette, nii et ka ogaplaat puudutab oksa. See aitab kaasa stabiilsusele, lõikamisele ja tagab puhta lõike.
- Väikeseid oksid, mis on peenikese läbimõõduga ja pole rasked, saab lõigata ühe lõikega saelati alumise osa abil.
- Suuri ja raskemaid oksid, mis võivad saagimise ajal murduda või lõheneda, tuleb esmalt lõigata alt, kasutades selleks saeüle ülaosa. Tehke see lõige umbes ühe kolmandiku võrra oksa läbimõõdust. Seejärel tehke teine lõige oksa kohalt saelati alaosa naha, et lõikekohad ühinevad.
- Lõigake suuri oksid hallatavate osade kaupa, mitte tervet oksa korraga.
- Ärge püüdke jätkata saagimist, pannes keti ja juhtlatti varasemasse lõikekoha. Tehke alati uus lõige. See vähendab tagasilöögi ja võimaliku kehavigastuse ohtu.

TRANSPORTIMINE JA HOIUSTAMINE

BENSIINIMOOTORIGA KASUTAMISEKS

- Enne hoiele paneku või teisaldamise alustamist seisake mootor.
- Puhastage seade kõikidest võõrkehadest.
- Kui hoiustate seadme pikaks ajaks (üks kuu või kauem), veenduge et kett on kergelt õline, et vältida





roostetamist. Tootja soovib kasutada Ryobi saelatti ja ketimääret, mis on saadaval Ryobi volitatud hoolduskeskustes.

- Enne seadme hoiulepanekut või transportimist katke lõiketera kaitsekattega.
- Kallake kogu kütus paagist kütusemahutisse. Ärge unustage kütusekorki korralikult tagasi panna ja kinnitada.
- Vajadusel valage kogu õli paagist välja selleks ettenähtud anumasse. Ärge unustage õlikorki korralikult tagasi panna.
- Laske mootoril töötada kuni peatumiseni. See eemaldab kütusepaagist kogu kütuse, mis muidu võib vanaks minna ning jätta küttesüsteemi vaiku jms.
- Hoidke kuivas ja hästi ventileeritud kohas, mis on lastele juurdepääsmatu. Hoidke kettsaagi eemal söövitavatest ainetest nagu aiakemikaalid ja jäätõrjevahendid.
- Ärge hoiustage õues.
- Vedamise ajal tõkestage trimmer liikuma hakkamise ja alla kukkumise vastu, et vältida kehavigastusi ja osade kahjustamist.
- Ärge kandke või teisaldage saagi sel ajal, kui see töötab.
- Järgige kõiki riiklikke ja kohalikke eeskirju kütuse turvalisel säilitamisel ja käsitsemisel.

LÜHIAJALINE HOIUSTAMINE

- Enne hoiule paneku või teisaldamise alustamist seisake mootor.
- Puhastage seade kõikidest võõrkehadest.
- Enne seadme hoiulepanekut või transportimise alustamist katke lõiketera selleks ettenähtud kaitsekattega.
- Hoidke kuivas ja hästi ventileeritud kohas, mis on lastele juurdepääsmatu.
- Hoidke kettsaagi eemal söövitavatest ainetest nagu aiakemikaalid ja jäätõrjevahendid.
- Ärge hoiustage õues.

ELEKTRIMOOTORIGA KASUTAMISEKS

- Peatage mootor, ühendage see vooluvõrgust lahti ja kerige juhe kokku. Laske masinal maha jahtuda.
- Puhastage seade kõikidest võõrkehadest. Hoidke kuivas ja hästi ventileeritud kohas, mis on lastele juurdepääsmatu. Hoidke kettsaagi eemal söövitavatest ainetest nagu aiakemikaalid ja jäätõrjevahendid. Ärge hoiustage õues.
- Kui hoiustate seadme pikaks ajaks (üks kuu või kauem), veenduge et kett on kergelt õline, et vältida roostetamist. Tootja soovib kasutada Ryobi saelatti ja ketimääret, mis on saadaval Ryobi volitatud hoolduskeskustes.
- Enne seadme hoiulepanekut või transportimist katke lõiketera kaitsekattega.
- Vedamise ajal tõkestage masin liikuma hakkamise ja alla kukkumise vastu, et vältida kehavigastusi ja masinaosade kahjustamist.

HOOLDUS

⚠ HOIATUS

Kasutage ainult tootja originaalvaruosi, tarvikuid ja tööorganeid. Selle nõude eiramine võib põhjustada, kehavigastuse, tootluse languse ja teile antud garantiitühistamise.

⚠ HOIATUS

Hooldamine nõuab ülimalt korrrashoidu ja teadmisi ning tuleks teostada ainult kvalifitseeritud hooldustehnikute poolt. Hoolduseks soovitame me viia toote remontimiseks lähimasse vo lit atud teenind uskesk ussesse . Kui hooldate, kasutage ainult identseid varuosi.

⚠ HOIATUS

Saekett on äärmiselt terav. Kehavigastuse vältimiseks olge väga ettevaatlik puhastamisel, ketikaitse paigaldamisel ja eemaldamisel ning kandke alati kaitsekindaid kui ketti hooldate.

⚠ HOIATUS

Saeketi ebapiisav hooldamine tõstab tagasilöögi ohtu. Kahjustatud ketti välja vahetamata või parandamata jätmine võib põhjustada tõsiseid kehavigastusi.

- Enne hooldus- ja puhastustööd peatage toode ja/või ühendage vooluvõrgust välja ning veenduge, et kõik liikuvad osad on täielikult peatunud.
- Lubatud on teha ainult selles kasutusjuhendis kirjeldatud reguleerimis- ja parandustoiminguid. Muude remonditööde tegemiseks võtke ühendust volitatud hooldajaga.
- Järgige saeketi määrimise, keti pinguse ja kontrollimise ning reguleerimise juhiseid.
- Pärast iga kasutuskorda pühkige seadme korpus ja käepidemed pehme kuiva lapiga puhtaks.
- Kontrollige kõiki mutreid, polte ja kruvisid sagedaste intervallidega õige pinguloleku suhtes, et veenduda toote ohutus töökorras olemises. Vigastatud osad tuleb lasta pädeval hooldajal parandada või asendada.

Hooldusplaan

Igapäevane kontrollimine	
Ketiõli	Enne iga kasutuskorda
Keti pinge	Enne iga kasutuskorda ja korrapäraselt
Keti teravus	Enne iga kasutuskorda, välise vaatluse teel
Kahjustunud osade suhtes	Enne iga kasutuskorda
Lahtiste kinnitite suhtes	Enne iga kasutuskorda



Kütusesegu või bensiin ja õli (ainult bensiinimootori puhul)	Enne igat kasutuskorda
Siduri haakumine (ainult bensiinimootori puhul) (vabakäigul kett ei liigu)	Enne igat kasutuskorda
Toitekaabli kontroll vigastuste suhtes (ainult elektrimootori puhul)	Enne igat kasutuskorda

JÄÄKRISKID

Isegi siis, kui kultivaatorit kasutatakse kirjeldatud viisil, ei ole võimalik kõrvaldada kõiki jääkriskide mõjureid. Töötamise ajal võivad tekkida järgmised ohud, millele operaator peab pöörama erilist tähelepanu.

- Vibratsioonist põhjustatud kehavigastus. Kasutage töötamiseks õiget seadet, kasutage ettenähtud käepidemeid, piirake tööaega ja kokkupuudet vibratsiooniga.
- Tugev müra võib põhjustada kuulmiskahjustuse. Kandke kuulmiskaitsevahendeid ja piirake müraga kokkupuudet.
- Kokkupuutumine saeketi hammastega (siselõikamisohu).
- Saelati ettenägematu järsk liikumine või saelati tagasilöök (siselõikamisohu).
- Saeketilt paiskuvad tükid välja (lõikeohu/torkeohu).
- Saetavalt puidult välja paiskuvad tükid (saelõiked, pinnud).
- Saepuru ja osakeste sisse hingamine.
- Naha kokkupuutumine bensiini/õliga.

RISKI ALANDAMINE

Teadadolevalt võib käsitööriistade kasutamine põhjustada mõnedel inimestel seisundit, mida nimetatakse Raynaud' sündroomiks. Sümptomidena võib ilmneda sõrmede tuimus ja valkjaks muutumine, mis tavaliselt ilmneb külmas töötamisel. Nende sümptomite puhul tuleb hoiduda külmast ja niiskusest, dieedist ning suitsetamisest ja kasutada õigeid töövõtteid. Vibratsiooni mõju vähendamiseks tuleb rakendada järgmisi abinõusid.

- Külma ilmaga hoidke oma keha soe. Kandke kindaid, et hoida oma käed ja randmed soojad. Uuringud näitavad, et Raynaud's Syndrome ilmneb põhiliselt külma ilmaga.
- Pärast külmas töötamist tehke harjutusi, et verevarustust kiirendada.
- Tehke regulaarselt töövaheaegasid. Piirake tööperioodi pikkust.

Kui ilmnevad haigustunnused, lõpetage kohe töö ja pöörduge arsti poole.

⚠ HOIATUS

Seadme pikaajalisel kasutamisel võite saada kehavigastusi ja varasemad vigastused võivad süveneda. Seadme kasutamisel pika aja jooksul tuleb teha korralisi vaheaegasid.

ÕPPIGE OMA TOODET TUNDMA

Vt leht 175.

1. Kett
2. Juhtlatt
3. Kuuskantmutter
4. Ketiratta kaas
5. Tupp
6. Õlikork
7. Lühike terastoru
8. Tööorgani riputi

MASINAL OLEVAD SÜMBOLID



Ohutusala teave



Enne seadmega töö alustamist lugege kõik juhised hoolikalt läbi ja pidage kinni hoiatustest ja ohutusega seotud juhistest.



Kandke silma- ja kuulmiskaitsevahendeid ning kiivrit.



Kandke selle toote kasutamisel alati libisemiskindlaid turvajalatsid.



Kandke libisemiskindlaid, tugevdatud kaitsekindaid.



Ärge jätke vihma kätte või kasutage niiskes kohas.



Selleks, et vältida elektrilöögi ohtu, ärge töötage elektrihülilindele lähemal kui 10 meetrit.



Hoiduge ülespaisatud ja lendavate esemete eest. Hoidke kõik kõrvalseisjad, eriti lapsed ja lemmikloomad tööalalt vähemalt 15 meetri kaugusele.



Iga kord enne tööriista kasutamist eemaldage kaitsekate.



Saelati ja keti määre



Saeketi liikumissuund



Vastab kõigile eeskirjadele EL-i liikmesriigis, kus toode on ostenud.

Euraasia vastavusmärk



Mittekasutatavaid elektritooteid ei tohi visata olmejäätmete hulka. Vaid tuleb viia vastavasse kogumispunkti. Vajadusel küsige sellekohast nõu oma edasimüüjalt või vastavalt kohaliku omavalitsuse institutsioonilt.



Ukraina vastavusmärgis

Järgnevad märguandesõnad ja tähendused on mõeldud selle toote kasutamiseiga seotud riskitasemete kirjeldamiseks.

⚠ OHT.

Viitab kohe tekkivale ohtlikule situatsioonile, mis, kui ei väldita, lõpeb surma või tõsise vigastusega.

⚠ HOIATUS

Viitab võimalikule ohtlikule situatsioonile, mis, kui ei väldita, võib lõppeda surma või tõsise vigastusega.

⚠ ETTEVAATUST

Viitab võimalikule ohtlikule situatsioonile, mis, kui ei väldita, võib lõppeda väiksemate või keskmiste vigastusega.

ETTEVAATUST

Ilma hoiatussümbolita

Osutab olukorrale, mis võib põhjustada varakahju.

Dizajn vašeg priključka za obrezivanje grana slijedi glavne prioritete sigurnosti, performansi i pouzdanosti.

NAMJENA

Ovaj priključka za obrezivanje je odobren za upotrebu sa svim Ryobi/Homelite benzinskim pogonskim glavama od 30cc ili manje, ili s RPH1200, RLT12381, RBC12261 električnom pogonskom glavom.

Proizvod smiju koristiti isključivo punoljetne osobe koje su pročitale i razumjele upute i upozorenja u ovom priručniku i u odnosnom priručniku za pogonsku glavu i koje se mogu smatrati odgovornima za svoje postupke. Ovaj uređaj namijenjen je samo za korištenje na otvorenom. Iz sigurnosnih razloga proizvod za vrijeme rukovanja uvijek držite pod kontrolom držeći ga s obje ruke.

Ovaj proizvod namijenjen je za rezanje i sječenje malih stabala i grana čiji je promjer manji od ili jednak duljini vodilice, koje su visoko u drveću dok rukovatelj održava čvrsto uporište na zemlji. Proizvod je namijenjen za produljenje od maksimalne dulje do 2.6 m. Ne prekoračujte radnu visinu.

Nije namijenjeno za korištenje dok se penjete ili ako konvencionalna lančana pila za obrezivanje i sječenje materijala pri tlu.

⚠ UPOZORENJE

Prilikom korištenja proizvoda moraju se slijediti sigurnosna pravila. Radi vaše i sigurnosti ostalih promatrača, molimo vas da prije rada s proizvodom pročitate ove upute. Molimo vas da čuvate ove upute radi kasnijeg korištenja.

⚠ UPOZORENJE

Proizvod je prikladan za korištenje s glavama na benzinsko gorivo opremljenim s ručkama motocikla..

OPĆA SIGURNOSNA PRAVILA

ZA SKLAPANJE SKLOPA S BENZINSKOM POGONSKOM GLAVOM

- Za siguran rad pročitajte i shvatite sve upute za rad prije korištenja proizvoda. Slijedite sve sigurnosne upute. Nepoštivanje ovih savjeta može dovesti do teških tjelesnih ozljeda.
- Nikada ne pokrećite ili pogonite motor u zatvorenom ili slabo ventiliranom području; udisanje ispušnih plinova može usmrtniti.
- Nemojte dirati područje oko prigušivača ili cilindra proizvoda, ovi dijelovi se tijekom uporabe ugriju i postanu vrući.
- Prije bilo kakvih podešavanja proizvoda obavezno zaustavite motor. Omogućite uređaju da se ohladi prije bilo kakve provjere, podešenja itd.
- Nemojte pušiti dok miješate gorivo ili puniti spremnik s gorivom.
- Miješajte i držite gorivo u za to predviđenom spremniku.
- Miješajte gorivo na otvorenome, daleko od bilo kakvih

iskri ili plamena. Obrišite razliveno gorivo. Pomaknite se 9 m (30 stopa) dalje od mjesta punjenja prije pokretanja motora.

- Zaustavite motor i dopustite da se ohladi prije ponovnog punjenja ili skladištenja jedinice.
- Pustite da se motor ohladi; ispraznite spremnik goriva i spremnik ulja (ako je ugrađen) i prije transporta u vozilu osigurajte jedinicu od pomicanja.

⚠ UPOZORENJE

Kada je sklopka gasa otpuštena i motor je pokrenut u praznom hodu, rezni priključak ili lanac se ne smije pomicati. Ako se nastavi pokretati može doći do ozbiljnih ozljeda operatera. Nemojte koristiti uređaj. Vratite ga ovlaštenom servisnom centru za stručno podešavanje.

ZA SKLAPANJE SKLOPA S ELEKTRIČNOM POGONSKOM GLAVOM

⚠ UPOZORENJE

Pročitajte sva sigurnosna upozorenja i sve upute. Nepridržavanje upozorenja i uputa može izazvati strujni udar, požar i/ili ozbiljne ozljede.

Čuvajte ova upozorenja i upute kako biste ih naknadno mogli konzultirati.

Pojam „električni alat“ u upozorenjima odnosi se na vaš glavni alat (napajanje preko kabela) ili električni alat koji se napaja preko baterije (bez kabela).

RADNA OKOLINA

- **Držite radni prostor čistim i dobro osvijetljenim.** Zatrpami i neosvijetljeni radni prostori izazivaju nezgode.
- **Nemojte rukovati električnim alatima u eksplozivnim atmosferama u kojima su prisutne zapaljive tekućine, plinovi ili prašina.** Električni alati stvaraju iskre koje mogu zapaliti prašinu ili pare.
- **Tijekom rada s električnim alatom držite podalje djecu i promatrače.** Ometanje može dovesti do toga da izgubite kontrolu.

ELEKTRIČNA SIGURNOST

- **Utikači električnog alata moraju odgovarati utičnicu. Nikada nemojte modificirati utikače ni na koji način. Nemojte koristiti nikakve adapter utikače s uzemljenim električnim alatima.** Originalni utikači i odgovarajuće utičnice smanjuju opasnost od strujnog udara.
- **Izbjegavajte kontakt tijela s uzemljenim površinama poput cijevi, radijatora, štednjaka i hladnjaka.** Ako je vaše tijelo uzemljeno, povećava se opasnost od strujnog udara.
- **Nemojte proizvod izlagati kiši ili vlažnim uvjetima.** Ulazak vode u električni alat povećava opasnost od strujnog udara.
- **Nemojte zlorabiti kabel. Nikada nemojte koristiti kabel za nošenje, povlačenje ili isključivanje električnog alata. Držite kabel podalje od topline, ulja, oštih rubova ili pokretnih dijelova uređaja.**



Oštećeni ili zapleteni kabeli povećavaju opasnost od strujnog udara.

- **Kada radite s električnim alatom na otvorenom, koristite produžni kabel prikladan za rad na otvorenom.** Korištenje kabela prikladnog za rad na otvorenom smanjuje opasnost od strujnog udara.
- **Ako se ne može izbjeći rad s električnim alatom u vlažnoj lokaciji koristite FID sklopku (RCD uređaj) za zaštitu napajanja.** Korištenje RCD uređaja smanjuje opasnost od električnog udara.

OSOBNJA SIGURNOST

- **Budite na oprezu, gledajte to što radite i pri radu s električnim alatom koristite zdrav razum. Nemojte koristiti električni alat kad ste umorni ili pod utjecajem droge, alkohola ili lijekova.** Trenutak nepažnje pri radu s električnim alatima može dovesti do teških osobnih ozljeda.
- **Koristite osobnu zaštitnu opremu. Uvijek nosite zaštitna sredstva za oči.** Zaštitna oprema poput maske za prašinu, zaštitna obuća sa zaštitom od klizanja, kaciga ili zaštita za uši koja se koristi u odgovarajućim uvjetima smanjuje osobne ozljede.
- **Spriječite slučajno pokretanje. Osigurajte da je prije priključivanja na izvor napajanja i/ili baterije, podizanja ili nošenja alata, sklopka u položaju OFF (isključeno).** Nošenje električnog alata s vašim prstom na sklopki ili uključivanje električnih alata sa sklopkom postavljenom na položaj on (uključeno) dovodi do nezgoda.
- **Prije uključivanja električnog alata uklonite sve klinove za podešavanje i ključeve.** Ključ ili klin ostavljen priključen na rotirajućem dijelu električnog alata može dovesti do osobne ozljede.
- **Ne sežite preko određene granice. Cijelo vrijeme držite pravilno uporište i ravnotežu.** Ovo u neočekivanim situacijama omogućuje bolju kontrolu nad električnim alatom.
- **Pravilno se odjenite. Nemojte nositi široku odjeću ili nakit. Kosu, odjeću i rukavice držite podalje od pokretnih dijelova.** Široka odjeća, nakit ili dugačka kosa mogu biti zahvaćeni u pokretne dijelove alata.
- **Ako su uređaji opremljeni s priključkom aparata za odvajanje i prikupljanje prašine, osigurajte da su oni priključeni i pravilno korišteni.** Korištenje uređaja za sakupljanje prašine smanjuje opasnosti vezane uz prašinu.

KORIŠTENJE I BRIGA O ELEKTRIČNOM ALATU

- **Nemojte proizvod koristiti iznad njegovih mogućnosti. Za vašu primjenu koristite točan električni alat.** Točan električni alat bolje će i sigurnije uraditi posao u odnosu za što je namijenjen.
- **Nemojte koristiti električni alat ako ga sklopka pravilno ne uključuje i isključuje.** Svaki električni alat koje se ne može kontrolirati pomoću sklopke je opasan i mora se popraviti.
- **Prije nego što izvršite bilo kakva podešavanja, zamijenite dodatni pribor ili pohranite električne alate, odspojite utikač iz izvora napajanja i/ili bateriju iz električnog alata.** Ovakve preventivne

sigurnosne mjere smanjuju opasnost od slučajnog pokretanja električnog alata.

- **Električne alate pohranite u stanju mirovanja izvan dohvata djece i ne dopustite rad s električnim alatom osobama koje nisu upoznate s električnim alatom ili ovim uputama.** Električni alati su opasni u rukama nestručnih korisnika.
- **Održavanje električnih alata. Provjerite radi pogrešnog poravnjanja ili savijanja pokretnih dijelova, puknuća dijelova i drugih uvjeta koji mogu utjecati na rad električnog alata. Ako je oštećen, električni alat prije korištenja popravite.** Većina nezgoda uzrokovano je od strane električnih alata koji su slabo održavani.
- **Rezne alate držite oštrim i čistim.** Pravilno održavanjem reznim alatima s oštrim rubovima za rezanje, manja je vjerojatnost zahvaćanja i lakše se kontroliraju.
- **Koristite električni alat, pribor i dijelove alata itd., u skladu s ovim uputama i uzevši u obzir radne uvjete i rad koji treba izvršiti.** Korištenje električnog alata za radove drugačije od njegove namjene može dovesti do opasne situacije.

ODRŽAVANJE

- **Neka vaš električni alat servisira kvalificirana osoba za popravak koristeći samo identične zamjenske dijelove.** Ovo će osigurati da se održi sigurnost električnog alata.

DODATNA SIGURNOSNA UPOZORENJA

- Neke regije imaju pravila koja ograničavaju korištenje proizvoda za neke radove. Provjerite kod lokalnih tijela za savjet.
- Nikada nemojte dopustiti korištenje ovog proizvoda djeci ili osobama koje nisu upoznate s ovim uputama. Moguće je da lokalni propisi propisuju starosnu dob rukovatelja.
- Osigurajte prije svakog korištenja da svi upravljački elementi i sigurnosni uređaji pravilno funkcioniraju. Ne koristite proizvod ako sklopka „isključeno“ ne zaustavlja motor.
- Nosite punu opremu za zaštitu očiju i sluha, jake čvrste rukavice, kao i zaštitu za glavu dok radite s proizvodom; koristite masku za lice, ako je prašnjav rad.
- Nemojte nositi široku odjeću, kratke hlače ili nakit bilo kakve vrste.
- Osigurajte dugu kosu na način da je iznad razine ramena kako biste spriječili zahvaćanje u pokretne dijelove.
- Korištenje zaštite za sluh smanjuje vašu mogućnost da čujete upozorenja (viku ili alarme). Rukovatelj mora obratiti posebnu pozornost na to što se događa u radnom području.
- Rad u blizini sličnim alatom dovodi do opasnosti povreda sluha i mogućim ulaskom drugih osoba u radno područje.
- Pazite se odbačenih predmeta, držite sve promatrače, djecu i kućne ljubimce dalje od radnog područja. Zaustavite proizvod ako bilo tko uđe u područje rada.

EN
FR
DE
ES
IT
NL
PT
DA
SV
FI
NO
RU
PL
CS
HU
RO
LV
LT
ET
HR
SL
SK
BG
UK





- Nemojte raditi u slabom osvjetljenju. Operateru treba jasan pogled radnog područja kako bi identificirao potencijalne opasnosti.
- Zauzmite čvrst stav i ravnotežu. Ne sežite preko određene granice. Naginjanje preko ruba može dovesti do gubitka ravnoteže i može povećati opasnost povratnog udara.
- Nemojte raditi s ovim proizvodom kada ste umorni ili pod utjecajem alkohola, droge ili lijekova.
- Držite sve dijelove tijela dalje od svih pokretnih dijelova.
- Prije korištenja provjerite uređaj. Provjerite za pravilan rad svih upravljačkih elemenata. Provjerite sve olabavljene zatezače, osigurajte da su svi štitnici, deflektori i ručke pravilno i čvrsto priključeni. Prije korištenja zamijenite sve oštećene dijelove.
- Nemojte modificirati uređaj ni na koji način ili koristiti dijelove ili dodatni pribor koje nije preporučio proizvođač.
- Opuštanje u radu (uslijed čestog korištenja alata) može dovesti do nepažljivog rada. Nepažljiv rad može uzrokovati ozbiljne povrede unutar djelića sekunde.
- Održavajte ručke i površine hvata suhim, čistim i da na njima nema ulja i masti. Skliske ručke i površine za hvatanje ne omogućuju sigurno rukovanje i kontrolu alata u neočekivanim situacijama.
- Uvijek kada radite držite kresač s obje ruke. Koristite jednu ruku za čvrsto hvatanje prednje ručke. Drugom rukom uhvatite stražnju ručku i započnite s radom.
- Držite električni alat za izoliranu površinu za hvatanje jer lanac pile može doći u kontakt sa skrivenim ožičenjem. Dodirivanje „žive“ žice lancem pile može izložiti metalne dijelove alata električnoj energiji i dovesti do strujnog udara na operatera.
- Ne modificirajte proizvod ni na koji način ili ga ne koristite za pokretanje nekih priključaka ili uređaja koje ne preporučuje proizvođač za vaš proizvod.
- Vaš kresač dolazi s kopčom. Morate je koristiti prilikom rada s kresačem. Pomaže vam kontrolirati pad kresača nakon što je rezanje završeno. Također podržava težinu uređaja tijekom korištenja i tijekom pomicanja između položaja za kresanje.
- Pronađite brzi mehanizam za otpuštanje i vježbajte korištenje prije nego počnete koristiti uređaj. Njegovo pravilno korištenje sprječava ozbiljne povrede u slučaju nužde. Nikada ne nosite dodatnu odjeću preko kopče ili na drugi način ne ograničavajte pristup mehanizmu za brzo otpuštanje.
- Prije pokretanja alata provjerite da lanac pile ne dodiruje ništa.
- Nepravilno zategnut lanac može iskočiti iz vodilice i dovesti do ozbiljnih ili fatalnih ozljeda. Provjerite prije svakog korištenja i često, posebice novi lanac.
- Kako biste smanjili rizik od ozljeda zbog pokretnih dijelova, uvijek zaustavite proizvod i isključite ga s izvora napajanja (ako je primjenjivo), te provjerite jesu li se zaustavili svi pokretni dijelovi prije:
 - čišćenje i odblokiranje
 - ostavljanje proizvoda bez nadzora
 - ugradnje ili uklanjanja priključaka
 - provjere, održavanja ili rada na uređaju

⚠ UPOZORENJE

Ako je proizvod ispio, pretrpio težak udar ili abnormalno vibrira, odmah zaustavite proizvod i provjerite na oštećenje ili identificirajte uzrok vibracija. Svaki oštećeni dio trebao bi pravilno popraviti ili zamijeniti ovlašteni servisni centar.

ZA SKLAPANJE SKLOPA S ELEKTRIČNOM POGONSKOM GLAVOM

- Napajanje treba biti putem FID sklopke (RCD uređaj) s prorađnom strujom ne većom do 30 mA.
- Ako trebate koristiti produžni kabel, osigurajte da je prikladan za korištenje na otvorenom i da ima dovoljan kapacitet za napajanje proizvoda. Prije svakog korištenja provjerite na oštećenja. Uvijek odmotajte kabel za napajanje tijekom korištenja jer se namotani kabel može pregrijati.
- Ako je naponski kabel oštećen, obavezno ga zamijenite prije korištenja proizvoda

SIGURNOSNA UPOZORENJA VEZANO ZA KRESAČ

- Nikada ne koristite kresač kad postoji mogućnost udara groma ili munje. Spremite kresač i kabele za napajanje u zatvorenom prostoru.
- Osigurajte da su svi štitnici, ručke pravilno pričvršćeni i u dobrom stanju.
- Ne koristite proizvod ako nemate čisto radno područje, sigurno gazište i planirani put izvlačenja od padajućih grana ili stabala.
- Pazite se maglice od sredstva za podmazivanje i prašine od pile. Po potrebi nosite masku ili respirator.
- Može doći do odskakivanja ako kraj vodilice lanca do-e u dodir s nekim predmetom ili ako se lanac priklješti i blokira u drvetu tijekom rezanja. Dodir u nekim slučajevima može dovesti do iznenadne povratne reakcije, odbacivanja vodilice lanca prema gore i unatrag prema operateru. Prignječenje lanca pile uzduž gornje strane vodilice može brzo gurnuti vodilicu unatrag prema rukovatelju. Neka od ovih reakcija može izazvati da izgubite kontrolu uređaja što može dovesti do ozbiljnih osobnih ozljeda. Nemojte se oslanjati isključivo na sigurnosne elemente ugrađene na vaš stroj. Kao korisnik kresača trebate poduzeti nekoliko koraka kako biste prilikom vaših poslova rezanja izbjegli nesreće ili ozljede. Povratni udar je rezultat nepravilnog korištenja i/ili nepravilnih postupaka rukovanja ili uvjeta i može se izbjeći tako da se poduzmu pravilne mjere opreza navedene u nastavku:
 - Učinak iznenađenja možete umanjiti ili ukloniti tako što ćete se upoznati s principom funkcioniranja odskakivanja i razumjeti ga. Učinak iznenađenja pridonosi nezgodama.
 - Provjerite nalaze li se u zoni u kojoj upotrebljavate vašu pilu prepreke. Nemojte dopustiti da prednji kraj štitnika dotakne granu, ogradu ili bilo koju prepreku tijekom rada s jedinicom.





- Održavajte čvrsti stisak s obje ruke na uređaju i u položaju tijela i ramena koji vam omogućuje otpor silama povratnog udara. Ako su poduzete pravilne mjere opreza sile povratnog udara mogu biti kontrolirane od strane operatera. Nemojte ispustiti kresač.
- Ne sežite preko određene granice. Ovo pomaže u sprečavanju nenamjernih dodira i omogućuje bolju kontrolu proizvoda u neočekivanim situacijama.
- Koristite samo zamjenske vodilice i lance navedene od proizvođača. Nepravilna zamjena vodilica ili lanaca može dovesti do puknuća lanca i/ili povratnog udara.
- Oštrenje lanca pile je zahtjevan zadatak. Stoga proizvođač preporučuje da istrošeni ili tupi lanac bude zamijenjen s novim, koji je dostupan u ovlaštenom servisnom centru Ryobi. Broj dijela dostupan je u tablici specifikacija proizvoda u ovom priručniku.
- Nemojte koristiti uređaj na ljestvama ili nestabilnim podlogama. Dok režete, uvijek stabilno stojite na dvije noge na čvrstom tlu. Tako ćete izbjeći gubitak ravnoteže tijekom rada.
- Za osobnu zaštitu od strujnog udara, ne radite unutar 10 m od nadzemnih vodova.
- Uklonite grane u odjeljcima. Nemojte raditi u opasnim položajima. Pazite na padajuće grane ili one koje se odbijaju nakon pada na tlo.
- Budite izuzetno pažljivi kad režete debla i grane male veličine jer se sitni dijelovi mogu uhvatiti za lanac i biti odbačeni prema vama ili ugroziti vašu ravnotežu.
- Kad režete granu koja je zategnuta, budite spremni da se brzo udaljite tako da vas ona ne bi udarila kad se zategnutost vlakana u drvetu otpušta.
- Ako se rezna učinkovitost smanji tijekom vremena, provjerite jesu zubi lanca oštri i čisti. Po potrebi, zamijenite originalni lanac (i list) kako preporučuje proizvođač.
- Ako lanac ili list pile budu uklješteni ili zaglavljivi i granama previsoko za dohvaćanje, potražite pomoć profesionalnog drvosječe o sigurnosnom uklanjajućem alatu.

⚠ UPOZORENJE

Provjerite da su sve spojke osovina na produžnom priključku i alatu čvrsto pritegnute prije svakog korištenja.

OSOBNA ZAŠTITNA OPREMA

Kvalitetna, osobna zaštitna oprema kakvu koriste profesionalci pomaže smanjiti opasnost od ozljeda operatera. Sljedeće predmete treba koristiti prilikom korištenja proizvoda:

Sigurnosna kaciga

- treba biti u skladu s EN 397 i označena CE

Zaštita za sluh

- treba biti u skladu s EN EN 352-1 i označena CE

Zaštita za vid i lice

- treba imati oznaku CE i biti u skladu s EN 166 (za sigurnosno staklo) ili EN 1731 (za mrežne vizire)

Rukavice

- treba biti u skladu s EN EN 381-7 i označena CE

Obuća

- treba biti u skladu s EN 20345 i označena CE

RAD - KRESANJE

- Procjenite stanje stabla i grana prije početka rada. Ako postoje znakovi oštećenja, truleži ili propadana, ne pokušavajte samostalno kresati. Oštećene ili istrulile grane su nestabilne. Potražite usluge profesionalnog drvosječe.
- Nikada ne stojte ispod grane koja se kreše.
- Okrsane grane ne padaju uvijek čisto na zemlju. Oni su jednostavno zahvaćeni i skrenuti drugim lišćem. Osigurajte da je sigurna zona najamnije dvije duljine grane koja se reže te je održavajte tijekom kresanja. Ako nije moguće, potražite usluge profesionalnog drvosječe.
- Osigurajte da padajuća grana nije opasnost za vas, promatrača ili pomoćne kabele.
- Nikada ne radite s alatom pod kutem većim od 60° od poda.
- Nikada ne radite s kresačem rezanjem bliže od 10m od nadzemnih vodova.
- Ne silite proizvod, pustite lanac da radi na vlastitoj brzini.
- Nemojte pokušavati rezati grane preblizu stablu. Ostavite oko 15 cm od stabla do reza.
- Položite list pile na granu koju trebate rezati i lagano gurnite pili prema naprijed tako da nazubljeni odbojnik također dodiruje granu. Ovo pomaže u stabilnosti, rezanju i omogućuje čist rez.
- Male grane koje su tanke u promjeru i nisu teške mogu se rezati jednim rezom korištenjem donjeg dijela lista pile.
- Za veće promjere i teže grane gdje može doći do loma grane ili raspucanja tijekom reza, trebate najprije rezati donji dio granja korištenjem vrha reznog lista. Učinite ovaj rez približno jednu trećinu dalje kroz granu. Potom izvršite drugi rez s gornje strane grane korištenjem donjeg dijela vodilice pile kako biste se sastali s prvim rezom.
- Sjecite velike grane u dijelovima s kojima možete baratati radije nego rezanje cijele grane.
- Nikada ne nastavljate na prethodnom rezu s lancem i listom. Uvijek započinite novi rez. Ovo će smanjiti opasnost od povratnog udara i moguće ozljede.

PRIJEVOZ I SKLADIŠTENJE

ZA SKLAPANJE SKLOPA S BENZINSKOM POGONSKOM GLAVOM

- Zaustavite proizvod i omogućite mu da se ohladi prije skladištenja ili prijevoza.



- Očistite svaki strani materijal s uređaja.
- Kada spremate jedinicu za dulje vremensko razdoblje (mjesec ili dulje), provjerite je li lanac lagano podmazan radi sprječavanja rđe. Proizvođač preporučuje korištenje Ryobi sredstva za podmazivanje vodilice i lanca koje je dostupno od Ryobi ovlaštenog servisnog centra.
- Prije pohranjivanja jedinice ili tijekom transporta pokrijte oštricu sa štitnikom za oštricu.
- Naspite svo preostalo gorivo u spremniku u kanticu posebno namijenjenu za držanje benzina. Nemojte zaboraviti propisno zamijeniti i zategnuti kapicu goriva.
- Ako je primjenjivo, ispuštite svo mazivo iz spremnika u za to odobrenu posudu. Sjetite se propisno zamijeniti kapicu s maziva.
- Pustite motor da se okreće dok se sam ne zaustavi. Time će se ukloniti svo gorivo koje bi moglo postati ustajalo, a u sustavu goriva moglo bi ostati i laka i gume.
- Skladištite ga na suhom i dobro ventiliranom mjestu koje nije pristupačno djeci. Nemojte ju ostavljati u blizini korozivnih agenasa kao ni vrtnih kemijskih proizvoda i soli za odmrzavanje.
- Ne ostavljajte na otvorenom.
- Za prijevoz, osigurajte uređaj protiv pomicanja ili pada kako biste spriječili povrede osoba ili oštećenja na uređaju.
- Nikada nemojte nositi ili transportirati proizvod dok je pokrenut.
- Poštujte nacionalne i lokalne propise koji se odnose na odlaganje i rukovanje gorivom.

KRATKOTRAJNO SKLADIŠTENJE

- Zaustavite uređaj i omogućite mu da se ohladi prije skladištenja ili prijevoza.
- Očistite svaki strani materijal s uređaja.
- Prije pohranjivanja jedinice ili tijekom transporta pokrijte oštricu sa štitnikom za oštricu.
- Skladištite ga na suhom i dobro ventiliranom mjestu koje nije pristupačno djeci.
- Nemojte ju ostavljati u blizini korozivnih agenasa kao ni vrtnih kemijskih proizvoda i soli za odmrzavanje.
- Ne ostavljajte na otvorenom.

ZA SKLAPANJE SKLOPA S ELEKTRIČNOM POGONSKOM GLAVOM

- Zaustavite proizvod, odspojite ga s izvora napajanja i namotajte kabel. Omogućite motoru da se ohladi.
- Očistite svaki strani materijal s uređaja. Skladištite ga na suhom i dobro ventiliranom mjestu koje nije pristupačno djeci. Nemojte ju ostavljati u blizini korozivnih agenasa kao ni vrtnih kemijskih proizvoda i soli za odmrzavanje. Ne ostavljajte na otvorenom.
- Kada spremate jedinicu za dulje vremensko razdoblje (mjesec ili dulje), provjerite je li lanac lagano podmazan radi sprječavanja rđe. Proizvođač preporučuje korištenje Ryobi sredstva za podmazivanje vodilice i lanca koje je dostupno od Ryobi ovlaštenog servisnog centra.
- Prije pohranjivanja jedinice ili tijekom transporta pokrijte

oštricu sa štitnikom za oštricu.

- Za prijevoz, osigurajte uređaj protiv pomicanja ili pada kako biste spriječili povrede osoba ili oštećenja na uređaju.

ODRŽAVANJE

⚠ UPOZORENJE

Koristite samo originalne zamjenske dijelove, dodatni pribor i priključke od proizvođača. Nepoštivanje ovih uputa može dovesti do mogućih ozljeda, loše učinkovitosti i može dovesti do poništenja jamstva.

⚠ UPOZORENJE

Servisiranje iziskuje krajnju pažnju i znanje i treba da ga vrši samo kvalificirani serviser. Za servisiranje mi vam preporučamo da odnesete proizvod u najbliži ovlašten servisni centar radi opravke. Prilikom servisiranja koristiti identične zamjenske dijelove.

⚠ UPOZORENJE

Lanac je vrlo oštar. Za sprječavanje osobnih ozljeda, budite osobito pažljivi kada čistite, postavljate ili uklanjate štitnik oštrice i uvijek nosite zaštitne naočale kada izvodite održavanje lanca.

⚠ UPOZORENJE

Nepravilno održavanje lanca povećava potencijalni povratni udar. Ako ne zamijenite ili ne popravite oštećeni lanac, izlažete se opasnosti od teških tjelesnih ozljeda.

- Prije izvođenja bilo kakvih radova održavanja ili čišćenja isključite i/ili odspojite proizvod s izvora napajanja i provjerite jesu li se svi pokretni dijelovi u potpunosti zaustavili.
- Možete izvršiti podešavanja i popravke koji su opisani u ovom priručniku. Za druge popravke, obratite se ovlaštenom servisnom agentu.
- Slijedite upute za podmazivanje i provjeru zategnutosti i podešavanje lanca.
- Nakon svakog korištenja, očistite kućište sa suhom mekom krpom.
- Često provjeravajte sve matice i zavrtnje da li su dobro pritegnuti kako biste bili sigurni da je proizvod u sigurnom radnom stanju. Svaki oštećeni dio trebao bi pravilno popraviti ili zamijeniti ovlašten servisni centar.

Plan Održavanja

Svakodnevna provjera	
Mazivo šipke	Prije svakog korištenja
Zategnutost lanca	Prije svakog korištenja i često

Oštrina lanca	Prije svakog korištenja, vizualna provjera
Oštećenje pojedinih dijelova	Prije svakog korištenja
Labavi pričvršćivači	Prije svakog korištenja
Mješavina goriva ili goriva i maziva (samo za benzinsku pogonsku glavu)	Prije svakog korištenja
Spojka za pokretanje (samo za benzinsku glavu) (nema kretanja lanca u praznom hodu)	Prije svakog korištenja
Naponski kabel na oštećenja (samo za električnu pogonsku glavu)	Prije svakog korištenja

OSTALE OPASNOSTI:

Čak i kad je proizvod korišten kao što je prethodno opisano, još uvijek nije moguće potpuno isključiti ostale čimbenike opasnosti. Može doći do sljedećih opasnosti prilikom korištenja i operater mora obratiti posebnu pozornost kako bi izbjegao sljedeće:

- Ozljede uzrokovane vibracijom. Uvijek koristite pravi alat za posao, koristite označenu kopču i ograničite radno vrijeme i izloženost.
- Izlaganje buci može izazvati povredu sluha. Nosite zaštitu za sluh i ograničite izloženost.
- Dodir s izloženim zubom pile na lancu pile (opasnost od porezotina).
- Nepredviđena, nenadana kretanja ili povratni udar vodilice lanca (opasnost od porezotina).
- Dijelovi izbačeni iz lanca pile (opasnost od porezotina).
- Izbacivanje komada izratka (drveno iverje, odlomci).
- Udisanje piljevine i čestica.
- Dodir kože sa sredstvom za podmazivanje/uljem.

SMANJENJE OPASNOSTI

Prijavljeno je da vibracije alata koje se drži u ruci kod određenih pojedinaca mogu doprinijeti stanju pod nazivom Raynaud's Syndrome. Simptomi mogu uključivati trnce, ukočenost i bjelinu prstiju, obično uočljivo po izlaganju hladnoći. Smatra se da nasljedne osobine, izlaganje hladnoći i vlazi, dijeta, pušenje i radni postupci pridonose razvoju ovih simptoma. Postoje mjere koje operater može poduzeti kako bi smanjio moguće učinke vibracije:

- Održavajte svoje tijelo toplim u hladnim vremenskim uvjetima. Kad radite s uređajem nosite rukavice kako biste ruke i zglobove održavali toplima. Prijavljeno je da je hladnoća glavni čimbenik koji doprinosi Raynaud's Syndrome.
- Nakon svakog perioda rada vježbajte kako biste povećali cirkulaciju krvi.
- Uzimajte česte stanke u radu. Ograničite količinu izlaganja po danu.

Ako osjetite neke od simptoma ovog stanja, odmah prekinite korištenje i obratite se svome liječniku vezano uz ove simptome.

⚠ UPOZORENJE

Povrede mogu biti uzrokovane ili zadobivene produljenim korištenjem alata. Kada koristite bilo koji alat dulje vremena, osigurajte da uzimate povremene stanke.

UPOZNAJTE SVOJ PROIZVOD

Pogledajte stranicu 175.

1. Lanac
2. Vodilica
3. Maticu
4. Pokrov zupčanika
5. Korice (štitnik lanca i vodilice lanca)
6. Čep/šipka za mjerenje ulja
7. Kratka čelična cijev
8. Vješalica priključka

SIMBOLI NA PROIZVODU



Sigurnosno upozorenje



Pročitajte i razumite sve upute prije rada s proizvodom, slijedite sva upozorenja i sigurnosne upute.



Nosite zaštitu za vid, sluh i glavu



Nosite obuću protiv klizanja prilikom korištenja ovog proizvoda.



Nosite zaštitne rukavice velike debljine koje se ne klizu.



Ne izlažite kiši ili vlažnim uvjetima.



Električna opasnost, najmanje 10 m dalje od linija koje prolaze iznad glave



Čuvajte se odbačenih ili letećih predmeta. Držite sve promatrače naročito djecu i kućne ljubimce, na udaljenosti najmanje 15 m od radnog područja.



Pri korištenja proizvoda uvijek skinite zaštitne korice.



Sredstva za podmazivanje lanca i vodilice



Pomicanje smjera lanca

EN
FR
DE
ES
IT
NL
PT
DA
SV
FI
NO
RU
PL
CS
HU
RO
LV
LT
ET
HR

SL
SK
BG
UK



Ovaj alat usklađen je sa svim normama i propisima zemlje Europske unije u kojoj je kupljen.



EurAsian znak konformnosti



Otpadni električni proizvodi ne treba da se odlažu s otpadom iz domaćinstva. Molimo da recikirate gdje je to moguće. Potražite savjet od lokalnih vlasti ili prodavca kako reciklirati.



Ukrajinska oznaka za sukladnost

Slijedeće riječi upozorenja i značenja imaju namjeru da objasne nivo rizika u vezi s ovim proizvodom.

⚠ OPASNOST

Ukazuje na neposrednu opasnu situaciju, koja, ukoliko se ne izbjegne, može rezultirati smrću ili opasnim povredama

⚠ UPOZORENJE

Ukazuje na moguću opasnu situaciju, koja, ukoliko se ne izbjegne, može rezultirati smrću ili opasnim povredama

⚠ UPOZORENJE

Ukazuje na moguću opasnu situaciju, koja, ukoliko se ne izbjegne, može rezultirati manjim ili blažim povredama

UPOZORENJE

Bez sigurnosnog simbola upozorenja

Naznačuje situaciju koja može rezultirati oštećenjem imovine.

Pri zasnovi priključka za višinsko obrezovanje smo se v največji meri osredotočali na varnost, učinkovitost in zanesljivost.

NAMEN UPORABE

To priključka za višinsko obrezovanje je odobreno za uporabo z vsemi pogonskimi glavami Ryobi/Homelite na bencin s prostornino 0,03 l (30 cc) ali manj ali z električno pogonsko glavo RPH1200, RLT1238l, RBC1226l.

Lahko ga uporabljajo samo odrasle osebe, ki so prebrale in razumejo navodila ter opozorila v tem priročniku in zadevnem priročniku pogonske glave ter so sposobne prevzeti odgovornost za svoja dejanja. Izdelek je namenjen izključno zunanji uporabi. Zaradi varnosti je zahtevano dvoročno krmiljenje naprave.

Izdelek je zasnovan za žaganje in obrezovanje manjših vej, ki so visoko na drevesu, medtem ko upravljavec trdno stoji na tleh. Izdelek je zasnovan, da se lahko po dolžini podaljša za maksimalno 2.6 m. Ne prekoračite te delovne dolžine.

Ni namenjen za uporabo pri plezanju ali kot običajna verižna žaga za rezanje vej in obrezovanje materiala od tal.

⚠ OPOZORILO

Med uporabo stroja upoštevajte varnostna navodila. Za svojo varnost in varnost drugih oseb preberite ta navodila pred uporabo izdelka. Prosimo, shranite ta navodila za kasnejšo rabo.

⚠ OPOZORILO

Ta izdelek ni primeren za uporabo z bencinskimi pogonskimi glavami, ki se uporabljajo z motorističnimi ročaji.

SPLOŠNA VARNOSTNA OPOZORILA

ZA SESTAVLJANJE S POGONSKO GLAVO NA BENCIN

- Za zagotavljanje varnega obratovanja si pred uporabo izdelka preberite celotna navodila in osvojite njihovo vsebino. Dodržite vsebtke varnostne pokyny. Če ne boste upoštevali vseh navodil, lahko pride do težke telesne poškodbe.
- Naprave nikoli ne zaganjajte v zaprtih ali slabo zračenih prostorih; vdihavanje izpušnih plinov je lahko smrtonosno.
- Nedotykajte sa priestoru okolo výfuku alebo valca výrobu, tieto časti sa počas prevádzky silne zahrievajú.
- Pred izvajanjem prilagoditev vedno zaustavite motor. Preden na napravi izvajate preglede, popravila ipd., naj se ta najprej ohladi.
- Med mešanjem goriva ali polnjenjem rezervoarja za gorivo ne kadite.
- Gorivo mešajte in hranite v posodi, ki je za to odobrena.
- Gorivo mešajte zunaj, tam kjer ni iskrenja ali plamena. Obrišite morebitno razlito gorivo. Preden motor zaženete, se odmaknite najmanj 9 m (30 ft) stran od območja točenja goriva.

- Pred točenjem goriva ali shranjevanjem naprave dovolite, da se slednja ustrezno ohladi.
- Počakajte, da se motor ohladi, izpraznite rezervoar za gorivo in rezervoar za olje (kot je ustrezno) ter enoto pred prevozom z vozilom zaščitite pred premiki.

⚠ OPOZORILO

Ko je gumb za plin spuščen in motor teče v prostem teku, se rezalni pripomoček ali veriga ne sme premikati. Če se še naprej premika, lahko pride do hudih poškodb upravljavca. Stroja ne uporabljajte. Vrnite ga v pooblaščen servisni center, kjer ga bodo strokovnjaki nastavili.

ZA SESTAVLJANJE Z ELEKTRIČNO POGONSKO GLAVO

⚠ OPOZORILO

Preberite vsa varnostna opozorila in navodila. Zaradi neupoštevanja opozoril in navodil lahko pride do električnega udara, požara in/ali resnih poškodb.

Shranite vsa opozorila in navodila za kasnejšo uporabo.

Izraz »električno orodje« v opozorilih se nanaša na orodja, ki jih poganja električni tok (žična), ali na akumulatorska (brezžična) orodja.

DELOVNO OBMOČJE

- Delovno območje naj bo čisto in dobro osvetljeno. V neurejenih in temnih območjih se rade zgodijo nesreče.
- Električnih orodij ne uporabljajte v eksplozivnih okoljih npr. v bližini vnetljivih tekočin, plinov ali prahu. Električna orodja proizvajajo iskre, ki lahko vnamejo prah ali hlape.
- Med uporabo električnega orodja v bližino ne pustite otrok in drugih ljudi. Zaradi zmanjšane koncentracije lahko izgubite nadzor.

ELEKTRIČNA VARNOST

- Vtiči električnih orodij se morajo prilegati vtičnicam. Vtiča nikoli in na noben način ne smete spreminjati. Z ozemljenimi električnimi orodji ne uporabljajte adapterjev vtiča. Nespremenjeni vtiči in ustrezne vtičnice zmanjšajo tveganje električnega udara.
- Izogibajte se telesnemu stiku z ozemljenimi površinami, kot so cevi, radiatorji, kuhalniki in hladilniki. Če je vaše telo ozemljeno, obstaja povečano tveganje električnega udara.
- Izdelka ne izpostavljajte dežju ali vlagi. Voda v električnem orodju znatno poveča tveganje električnega udara.
- Kabla ne uporabljajte za neustrezne namene. Kabla nikoli ne uporabljajte za prenašanje, vleko ali izklop električnega orodja. Pazite, da kabel ne pride v stik z vročino, oljem, ostrimi robovi ali gibljivimi deli. Poškodovani ali zapleteni kabli zvišujejo tveganje električnega udara.
- Med uporabo električnega orodja na prostem



uporabljajte podaljševalni kabel, ki je primeren za zunanjo uporabo. Uporaba kabla, primernega za zunanjo uporabo, znižuje tveganje električnega udara.

- Če je delo z električnim orodjem v vlažnem okolju neizogibno, uporabite tokovno zaščitno stikalo (RCD). Uporaba naprave RCD zmanjša tveganje za električni udar.

OSEBNA VARNOST

- Med obratovanjem bodite pozorni, spremljajte potek dela in uporabljajte zdrav razum. Električnega orodja ne uporabljajte, ko ste utrujeni oz. pod vplivom drog, alkohola ali zdravil. Trenutek nepazljivosti med uporabo električnega orodja lahko povzroči hude telesne poškodbe.
- Uporabljajte osebno zaščitno opremo. Vedno nosite zaščito za oči. Če v različnih okoliščinah nosite ustrezno zaščitno opremo, kot so maska proti prahu, obutev z nedrsečim podplatom, trdno pokrivalo glave in zaščita za sluh, zmanjšate možnost telesnih poškodb.
- Preprečite neželen zagon. Preden orodje priključite na vir napajanja, vstavite baterije, ga vzamete v roke ali prenašate, se prepričajte, da je stikalo v izključenem položaju. Prenašanje električnih orodij, tako da prst držite na stikalu, ali dovajanje napajanja električnim orodjem, pri katerih je stikalo v položaju »on (vklop)« poveča tveganje nesreč.
- Pred vklopom električnega orodja odstranite morebitne nastavitvene ključe ali izvijače. Izvijač ali ključ, ki ostane pritrjen na vrtljivi del električnega orodja, lahko povzroči telesne poškodbe.
- Nesiahajte priliš daleko. Pazite, da stojite stabilno in da imate ravnotežje. To omogoča boljši nadzor nad električnim orodjem v nepričakovanih situacijah.
- Bodite primerno oblečeni. Ne nosite ohlapnih oblačil ali nakita. Pazite, da lasje, oblačila in rokavice ne pridejo v bližino gibljivih delov. Ohlapna oblačila, nakit ali dolgi lasje se lahko zapletejo v gibljive dele.
- Če so naprave namenjene priključitvi na pripomočke za sesanje in zbiranje prahu, se prepričajte, da so ti priključeni in ustrezno uporabljeni. Uporaba zbiralca prahu lahko zmanjša nevarnosti, povezane s prahom.

UPORABA IN NEGA ELEKTRIČNEGA ORODJA

- Izdelka ne preobremenjujte. Uporabite električno orodje, ki ustreza vašemu delu. Ustrezno električno orodje bo nalogo opravilo bolje in varneje v kategoriji, za katero je bilo zasnovano.
- Ne uporabljajte električnega orodja, če ga stikalo ne vklopi ali izklopi, kot bi bilo treba. Kakršno koli električno orodje, ki ga ni mogoče nadzirati s stikalom, je nevarno in ga je potrebno popraviti.
- Odklopite vtič z vira napajanja in/ali baterije, preden opravljate kakršne koli prilagoditve, menjate dodatke ali shranjujete električno orodje. Tovrstni preventivni varnostni ukrepi zmanjšajo možnost slučajnega zagona električnega orodja.
- Električna orodja, ki niso v uporabi, shranjujte izven dosega otrok in ne dovolite, da bi električno orodje uporabljale osebe, ki niso seznanjene z električnim

orodjem ali s temi navodili. Električna orodja so v rokah neusposobljenih uporabnikov nevarna.

- Električna orodja redno vzdržujte. Preverite, če so gibljivi deli napačno poravnani ali zaskočeni, če so sestavni deli polomljeni ali če obstaja kakršno koli druge stanje, ki lahko vpliva na varno delovanje električnega orodja. Če je električno orodje poškodovano, ga pred ponovno uporabo dajte v popravilo. Številne nesreče zakrivijo neustrezno vzdrževana električna orodja.
- Rezalna orodja naj bodo vedno nabrušena in čista. Pravilno vzdrževana rezalna orodja z ostrimi rezili se težje zaskočijo in jih je lažje nadzirati.
- Električno orodje, dodatke, nastavke za orodje itd. uporabljajte v skladu s temi navodili ter upoštevajte delovne pogoje in vrsto dela, ki ga boste izvajali. Uporaba električnega orodja za namene, ki so drugačni od tistih, za katere je bilo orodje zasnovano, lahko povzroči nevarne situacije.

SERVISIRANJE

- Električno orodje naj servisira usposobljena oseba, uporabljati pa sme le originalne nadomestne dele. To bo zagotovilo vzdrževanje varnostni električnega orodja.

DODATNA VARNOSTNA OPOZORILA

- V nekaterih regijah predpisi omejujejo uporabo izdelka na določene namene. Za nasvet se obrnite na lokalne oblasti.
- Izdelka nikoli ne smejo uporabljati otroci ali osebe, ki niso seznanjene z navodili za uporabo. Lokalni predpisi se morda nanašajo tudi na minimalno starost upravitelja.
- Pred vsako uporabo zagotovite, da vse kontrole in varnostne naprave delujejo pravilno. Izdelka ne uporabljajte, če stikalo za izklop ne zaustavi motorja.
- Pri delu nosite zaščito za oči in sluh, robustne delovne rokavice in čelado; če boste med delom proizvajali veliko prahu, nosite ščitnik za obraz.
- Ne nosite ohlapnih oblačil, kratkih hlač ali kakršnega koli nakita.
- Dolge lase si spnite nad rameni in tako preprečite njihovo ujetje v premikajoče se dele.
- Zaščita za sluh zmanjša vašo sposobnost, da slišite opozorila (alarme ali klice). Upravljaavec mora še bolj paziti na dogajanje v okolici.
- Uporaba podobnih orodij v bližini poveča nevarnost za poškodbe sluha in nevarnost, da druge osebe vstopijo v vaše delovno območje.
- Bodite pozorni na izvržene predmete. Vsi prisotni, otroci in živali naj bodo vsaj 15 m stran od delovnega območja. Ugasnite izdelek, če kdo vstopi v območje.
- S cepilnikom ne upravljajte pri slabi osvetlitvi. Upravljaavec mora imeti jasen pregled nad delovnim območjem, da lahko prepozna morebitne nevarnosti.
- Pazite na ravnotežje in ne pretiravajte. Nesiahajte priliš daleko. Če se boste preveč iztegnili, lahko izgubite ravnotežje, poleg tega pa se poveča nevarnost





odsunka.

- Izdelka ne uporabljajte, če ste utrujeni, bolni ali pod vplivom alkohola, drog ali zdravil.
- Dele telesa držite proč od premikajočih se delov.
- Prev vsako uporabo preglejte stroj. Preverite pravilno delovanje vseh krmilnikov. Preverite, ali so pritrjena dobro pritrjena, prepričajte se, da so vsa varovala in ročaji pravilno in trdno pritrjeni. Pred uporabo zamenjajte poškodovane dele.
- Na noben način ne spreminjajte naprave ter ne uporabljajte delov in dodatkov, ki jih ne priporoča proizvajalec.
- Ne dopustite, da domačnost (do katere pride zaradi pogoste rabe strojnega orodja) privede do nepremišljene napake. Nepredvidnost lahko že v delčku sekunde povzroči hudo poškodbo.
- Ročaji in površine za prijem naj bodo suhe in čiste, na njih naj ne bo olja ter maščobe. Če so ročaji ali površine za prijem spolzke, ni zagotovljeno varno rokovanje in upravljanje z orodjem v nepričakovanih situacijah.

⚠ OPOZORILO

Če izdelek pade, močno trči ali začne nenormalno vibrirati, ga nemudoma zaustavite in preverite, ali je poškodovan oziroma poiščite vzrok vibriranja. Vsakršno poškodbo mora ustrezno popraviti ali zamenjati pooblaščen servisni center.

ZA SESTAVLJANJE Z ELEKTRIČNO POGONSKO GLAVO

- Napajanje naprave mora imeti napravo za rezidualni tok (RCD), tok naj ne presega 30 mA.
- Če potrebujete podaljšek za električni kabel, se prepričajte, da je primeren za uporabo na prostem in ima zadostno kapaciteto toka za vaš izdelek. Pred vsako uporabo preverite, ali je izdelek poškodovan. Kadar izdelek uporabljate, vedno odvijte kable, saj se drugače lahko pregrejejo.
- Če se napajalni kabel poškoduje, ga je treba pred uporabo menjati.

OBREZOVALNIK – VARNOSTNA OPOZORILO

- Nikoli ne uporabljajte obrezovalnika, ko obstaja možnost neviht ali strel. Obrezovalnik in električne kable hranite na varnem notri.
- Zagotovite, da so vsa varovala in ročaji pravilno nameščeni in v dobrem stanju.
- Izdelka ne uporabljajte, dokler nimate neoviranega delovnega območja, trdno podlago in načrtovano pot proč od padajočih vej.
- Pazite na emisije meglice maziva in žagovine. Po potrebi nosite ščitnik ali dihalni aparat.
- Obrezovalnik drevja pri delu vedno držite z obema rokama. Z eno roko trdno primite sprednji ročaj. Z drugo roko primite zadnjo ročico, da krmilite enoto.
- Orodje držite le za izolirane prijemalne površine, saj lahko veriga žage pride v stik s skritim ožičenjem. Če se veriga žage dotakne žice, ki je pod električno napetostjo,

se lahko izpostavljeni kovinski deli električnega orodja naelektrijo in povzročijo električni udar.

- Izdelka ne smete na noben način spreminjati ali ga uporabljati za napajanje priključkov oz. naprav, ki jih ne priporoča proizvajalec izdelka.
- Vaš obrezovalnik vsebuje jermen. Uporabljati jo morate med upravljanjem obrezovalnika. Pomagal vam bo pri nadzoru spuščanja obrezovalnika po končanem obrezovanju. To bo tudi pomagalo podpirati težo stroja med uporabo in premikanjem med obrezovalnimi pozicijami.
- Preden začnete uporabljati napravo, poiščite hitri odpenjalni mehanizem in vadite njegovo uporabo. Pravilna uporaba lahko prepreči hude telesne poškodbe v nujnem primeru. Nikoli ne nosite oblačil prek traka za nošenje ali kako drugače omejite dostop do mehanizma za hitro sprostitev.
- Pred zagonom orodja preverite, da se verižna žaga ne dotika nobenega predmeta.
- Nepravilno napeta veriga se lahko sname z meča in povzroči hude poškodbe ali celo smrt. Pogosto in pred vsako uporabo izdelek preverite, še posebej, če ima novo verigo.
- Za zmanjšanje nevarnosti poškodb zaradi premikajočih se delov enoto vselej zaustavite in jo izključite iz napajanja (če je ustrezno), pred tem pa se prepričajte, da so se vsi premikajoči se deli zaustavili:
 - čiščenje ali ko odstranujete blokado
 - pustiti izdelek brez nadzora
 - nameščanjem ali odstranjevanjem pripomočkov,
 - pregledovanjem, vzdrževanjem ali delu na napravi
- Če se konica meča dotakne predmeta ali če se zapre les in se verižna žaga zagodvi v rezu, lahko pride do odsunka. Dotik s konico lahko v nekaterih primerih povzroči sunkovito povratno reakcijo, tako da meč sune navzgor in nazaj proti upravljavcu. Če verigo žage na zgornjem delu žaginega lista stisnete, žagin list lahko hitro sune nazaj proti uporabniku. Katera koli izmed teh reakcij bi lahko vodila do izgube nadzora nad strojem in posledično do hude telesne poškodbe. Ne zanašajte se izključno na varnostne elemente, vgrajene v vašo napravo. Kot uporabnik obrezovalnika dreves morate slediti številnim korakom, da med delom z žago ne pride do nesreč ali poškodb. Odsunek je rezultat nepravilne uporabe orodja in/ali nepravilnih delovnih postopkov ali okoliščin in se mu ob ustreznih varnostnih ukrepih, kot so navedeni v nadaljevanju, lahko izognete:
 - Z osnovnim razumevanjem odsunka lahko zmanjšate ali odstranite element presenečenja. Nenadno presenečenje poveča možnost nesreče.
 - Pazite, da na območju, kjer žagate ni nobenih ovir. Konica meča se med uporabo izdelka ne sme dotakniti veje, glavne drevesne veje ali druge ovire.
 - Vzdržujte trden prijem z obema rokama na stroju in postavite svoje telo in roke tako, da vam omogočajo, da se oprete sunkom nazaj. Sile odsunkov lahko upravljavec nadzoruje, če upošteva ustrezne varnostne ukrepe. Obrezovalnika ne izpustite iz rok.
 - Nesihajte prilihi daleko. S tem pomagajte preprečiti nenameren dotik konice in omogočite boljši nadzor

EN
FR
DE
ES
IT
NL
PT
DA
SV
FI
NO
RU
PL
CS
HU
RO
LV
LT
ET
HR
SL
SK
BG
UK



nad izdelkom v nepričakovanih situacijah.

- Za zamenjavo uporabljajte le meče in verige, ki jih določa proizvajalec. Neustrezni nadomestni meči in verige lahko povzročijo trganje verige in/ali odsunek.
- Varno brušenje verige zahteva usposobljenost. Zato proizvajalec toplo priporoča, da obrabljene in tope verige zamenjate z novo, ki jo dobite pri pooblaščenem serviserju Ryobi. Številka dela je navedena v tabeli s specifikacijami izdelka v tem priročniku.
- Ne uporabljajte na lestvi ali nestabilni podpori. Vedno žagajte z obema nogama na trdnih tleh, da preprečite izgubo ravnotežja.
- Da bi se zaščitili pred električnim udarom, ne obratujte znotraj 10 m od električnih napeljav nad vami.
- Odstranite veje. Naprave ne uporabljajte v nevarnih položajih. Pazite se padajočih vej ali tistih, ki se odbijejo od tal.
- Izredno previdni bodite pri žaganju nizkega grmovja in mladih drevesc, ker se lahko tanjši material ujame na verigo žage in ga lahko vrže proti vam ali pa vas spravi iz ravnotežja.
- Pri žaganju veje pod napetostjo pazite, da ne odskoči nazaj, da vas nebi udarila pri sprostitvi napetosti v lesnih vlaknih.
- Če se kvaliteta rezanja sčasoma slabša, preverite, ali so zobje na verigi dovolj ostri in čisti. Če je potrebno, zamenjajte originalno verigo (in palico) kot priporoča proizvajalec.
- Če se veriga in meč zagozdita ali ujameta med veje in ju ne dosežete, se posvetujte s strokovnjakom za drevesa, kako varno odstraniti mehanizme za rezanje.

⚠ OPOZORILO

Pred vsako uporabo in pogosto preverite, da so vse gredne vezi na podaljšku in orodju trdno pritrjene.

OSEBNA VAROVALNA OPREMA

S kakovostno profesionalno osebno varovalno opremo boste zmanjšali tveganje za poškodbe upravljavca. Pri delu z izdelkom uporabljajte naslednje elemente:

Varnostna čelada

- mora biti skladna z EN 397 in imeti mora oznako CE

Zaščita sluha

- mora biti skladna z EN 352-1 in imeti mora oznako CE

Zaščita oči in obraza

- imeti mora oznako CE ter mora biti skladna z EN 166 (zaščitna očala) oz. EN 1731 (obrazni ščitniki)

Rokavice

- mora biti skladna z EN 381-1 in imeti mora oznako CE

Obutev

- mora biti skladna z EN 397 in imeti mora oznako CE

DELOVANJE - OBREZOVANJE

- Preden začnete z delom, preučite stanje drevesa in vej. Če so prisotni znaki poškodb, rje ali razpadanja, ne obrezujte sami. Poškodovane ali gnile veje so zelo nestabilne. Poiščite pomoč strokovnega drevesnega kirurga.
 - Ne stojte pod vejo, ki jo obrezujete.
 - Obrezane veje ne padejo vedno naravnost na tla. Hitro se ujamejo med ali odbijejo od drugega listja. Zagotovite, da je na voljo varnostno območje v dolžini vsaj dveh dolžin veje, ki jo boste odrezali. To dolžino vzdržujete med celotnim obrezovanjem. Če to ni mogoče, poiščite usluge strokovnega drevesnega kirurga.
 - Zagotovite, da padajoča veja ne predstavlja nevarnosti vam, prisotnim ali lastniki, vključno z napeljavami.
 - Nikoli ne upravljate orodja s cevjo pod večjim kotom od 60° vodoravno.
 - Nikoli ne upravljajte obrezovalnika z mehanizmi za rezanje bližje kot 10m od napeljav nad vami.
 - Ne hitite z izdelkom, naj veriga reže z lastno hitrostjo.
 - Ne režite vej preblizu debla. Od debla do reza pustite približno 15 cm.
 - Spočijte meč na veji, ki jo boste obrezali in nežno potisnite žago naprej, da bo rebrastr odbijač prav tako v stiku z vejo. To bo pomagalo pri ravnotežju, rezanju in bo nudilo bolj čiste reze.
 - Majhne veje, ki so tenke v premeru in niso težke, se lahko odreže z enim rezom, tako da uporabite spodnji del meča.
 - Veje z večjimi premeri in težje veje, kjer obstaja nevarnost, da se veja med obrezovanjem zlomi ali razcepi, je potrebno najprej z zgornjim delom meča zarezati od spodaj. Ta rez naredite približno eno tretjino na poti skozi vejo. Da naredite drugo zarezo od zgoraj, uporabite spodnji del meča, da pridete do prvega reza.
 - Obrezovanja velikih vej se raje lotite postopoma v delih in ne naenkrat v celoti.
 - Nikoli na poskušajte ponovno zagnati prejšnjega rezanja z verigo in mečem še v prejšnjem rezu. Vedno začnite novi rez. To bo zmanjšalo nevarnost sunkov nazaj in morebitnih poškodb.
- #### **TRANSPORT IN SHRANJEVANJE**
- #### **ZA SESTAVLJANJE S POGONSKO GLAVO NA BENCIN**
- Ustavite izdelek in pustite, da se ohladi, preden ga shranite ali prevažate.
 - Očistite vse tujke z izdelka.
 - Ko shraniti enoto za dlje časa (en mesec ali več), verigo rahlo premažite z lubrikantom, da boste preprečili rjo. Proizvajalec priporoča uporabo meča Ryobi in lubrikanta za verigo, ki ga nudi vaš pooblaščen servisni center Ryobi.
 - Pred shranjevanjem ali med transportom vedno



zavarujte meč z nožnico.

- Odtočite vse gorivo iz rezervoarja v posodo, ki je odobrena za bencin. Ne pozabite pravilno menjati in priviti pokrovčka za gorivo.
- Če je ustrezno, iz rezervoarja izpustite mazivo v posodo, ki je odobrena za maziva. Ne pozabite pravilno menjati pokrovčka za mazivo.
- Pustite delovati motor, dokler se ne zaustavi. S tem boste porabili vse gorivo, ki bi lahko postalo postano in povzročilo nabiranje usedlin v sistemu za dovod goriva.
- Shranite jo na suhem in dobro prezračujem mestu, ki ni na dosegu otrok. Hranite proč od jedkih sredstev, kot so kemikalije za vrtnarjenje in soli za odmrzovanje.
- Ne shranjujte na prostem.
- Za transport zavarujte izdelek pred premiki ali padci, da preprečite poškodbe oseb ali izdelka.
- Naprave nikoli ne prenašajte, ko je v teku.
- Upoštevajte vse državne in krajevne predpise glede varnega skladiščenja in rokovanja z bencinom.

KRATKOTRAJNO SHRANJEVANJE

- Ustavite napravo in pustite, da se ohladi, preden jo shranite ali prevažate.
- Očistite vse tujke z izdelka.
- Pred shranjevanjem ali med transportom vedno zavarujte rezilo z zaščito rezila.
- Shranite jo na suhem in dobro prezračujem mestu, ki ni na dosegu otrok.
- Hranite proč od jedkih sredstev, kot so kemikalije za vrtnarjenje in soli za odmrzovanje.
- Ne shranjujte na prostem.

ZA SESTAVLJANJE Z ELEKTRIČNO POGONSKO GLAVO

- Napravo zaustavite, izključite jo iz napajanja in navijte kabel. Počakajte, da se motor ohladi.
- Očistite vse tujke z izdelka. Shranite jo na suhem in dobro prezračujem mestu, ki ni na dosegu otrok. Hranite proč od jedkih sredstev, kot so kemikalije za vrtnarjenje in soli za odmrzovanje. Ne shranjujte na prostem.
- Ko shraniti enoto za dlje časa (en mesec ali več), verigo rahlo premažite z lubrikantom, da boste preprečili rjo. Proizvajalec priporoča uporabo meča Ryobi in lubrikanta za verigo, ki ga nudi vaš pooblaščen servisni center Ryobi.
- Pred shranjevanjem ali med transportom vedno zavarujte meč z nožnico.
- Pri transportiranju napravo zavarujte tako, da se ne bo premikala ali padla, in tako preprečite poškodbe oseb ali naprave.

VZDRŽEVANJE

⚠ OPOZORILO

Uporabljajte le originalne rezervne dele in dodatke, ki jih priporoča proizvajalec. V nasprotnem primeru naprava lahko slabo deluje, povzroči poškodbe, garancija pa ne velja več.

⚠ OPOZORILO

Servisiranje zahteva posebno pozornost in znanje in naj jo zato opravlja samo izurjeni servisni tehnik. Servisiranje in popravila izdelka vam priporočamo pri vašem najbližjem pooblaščenem servisnem centru. Pri servisiranju uporabljajte le identične nadomestne dele.

⚠ OPOZORILO

Veriga žage je zelo ostra. Da bi preprečili telesne poškodbe, bodo vedno zelo previdni pri čiščenju, nameščanju ali odstranjevanju verižne nožnice. Pri vzdrževanju verige vedno nosite zaščitne rokavice..

⚠ OPOZORILO

Nepravilno vzdrževanje verige poveča možnost povratnega sunka. Če ne zamenjate ali popravite poškodovane verige, lahko pride do težke telesne poškodbe.

- Pred kakršnim koli vzdrževanjem ali čiščenjem napravo izklopite in/ali izključite iz napajanja ter se prepričajte, da so se vsi njeni premikajoči se deli popolnoma zaustavili.
- Opravljati smete le nastavitve in popravila, ki so opisana v teh navodilih za uporabo. Za ostala popravila se obrnite na pooblaščenega serviserja.
- Sledite navodilom za mazanje ter preverjanje in prilagajanje napetosti verige.
- Po vsaki uporabi z mehko suho krpo očistite trup in ročaje izdelka.
- Pogosto preverjajte, ali so vse matice in vijaki dobro priviti in tako zagotovite varno delovno stanje izdelka. Vsak poškodovani del mora ustrezno popraviti ali zamenjati pooblaščen servisni center.

Urnik vzdrževanja

Dnevno preverjanje	
Mazivo za palico	Pred vsako uporabo
Napetost verige	Pred vsako uporabo in ob rednih intervalih
Ostrino verige	Pred vsako uporabo, vizualni pregled
Poškodovanost delov	Pred vsako uporabo
Privitost pritrdil	Pred vsako uporabo

EN
FR
DE
ES
IT
NL
PT
DA
PA
SV
FI
NO
RU
PL
CS
HU
RO
LV
LT
ET
HR
SL
SK
BG
UK



Mešanica goriva ali goriva in maziva (samo za pogonske glave na bencin)	Pred vsako uporabo
Vklop sklopke (samo za pogonske glave na bencin) (v prostem teku se veriga ne premika)	Pred vsako uporabo
Napajalni kabel za primere poškodb (samo za električne pogonske glave)	Pred vsako uporabo

REZIDUALNA TVEGANJA:

Tudi če izdelek uporabljate tako, kot je predpisano, še vedno ne moremo izključiti določenih preostalih dejavnikov tveganja. Med uporabo se lahko pojavijo naslednje nevarnosti, upravljalavec pa naj bo pozoren na sledeče:

- Poškodbe zaradi vibracij. Vedno uporabljajte pravo orodje za opravilo, uporabite ustrezne ročaje in omejite delovni čas in izpostavljenost.
- Izpostavljenost hrupu lahko povzroči poškodbo sluha. Nosite zaščito za sluh in omejite izpostavljenost.
- Stik z izpostavljenimi zobci žage (nevarnost vreza).
- Nepredviden, nenaden premik ali povratni sunek meča (nevarnost vreza).
- Delci, ki odletijo iz verige žage (nevarnost ureza/vboda).
- Delci, ki odletijo iz obdelovanca (odkruški, trske).
- Vdihavanje žagovine in delcev.
- Stik kože z mazivom/oljem.

ZMANJŠANJE TVEGANJA

Ugotovljeno je bilo, da lahko pri nekaterih posameznikih vibracije ročnih orodij povzročijo Raynaudov sindrom. Simptomi so lahko mravljinци, otrplost in pobledele prsti, kar je običajno vidno, kadar je oseba izpostavljena mrazu. Dedni dejavniki, izpostavljenost mrazu in vlagi, dieta, kajenje in delovne navade naj bi pripomogle k razvoju teh simptomov. Za zmanjšanje učinkov vibracij lahko upravljalavec upošteva naslednja navodila:

- Poskrbite, da bo vaše telo na mrazu toplo. Med upravljanjem nosite rokavice in tako ohranjajte toploto vaših dlani in zapestij. Kot poročajo, je mraz glavni dejavnik, ki prispeva k Raynaudovemu sindromu.
- Po vsakem obdobju upravljanja naprave telovadite in tako pospešite krvni obtok.
- Pogosto si vzemite odmor. Omejite dnevno količino izpostavljenosti.

Če zaznavate kakršne koli simptome takšnega stanja, takoj prenehajte z uporabo naprave in se o simptomih posvetujte z zdravnikom.

⚠ OPOZORILO

Daljša uporaba orodja lahko privede do poškodb ali pa so poškodbe lahko hujše. Kadar orodje uporabljate dalj časa, si večkrat vzemite odmor.

SPOZNAJTE SVOJ IZDELEK

Glejte stran 175.

1. Veriga
2. Meč
3. Šestrobno matico
4. Pokrov verižnika
5. Zaščitni tulec
6. Pokrovček
7. Kratka jeklena cev
8. Vješalica priključka

SIMBOLI NA IZDELKU



Varnostni alarm



Pred uporabo izdelka morate prebrati in razumeti vsa navodila, upoštevati vsa opozorila in varnostne napotke.



Nosite zaščito za oči, ušesa in glavo.



Ko uporabljate izdelek, nosite zaščitno obutev, ki ne drsi.



Nosite si nredseče, močne delovne zaščitne rokavice.



Ne izpostavljajte ga dežju ali vlagi.



Električna nevarnost, vsaj 10 m proč od nadzemne električne napeljave



Pazite na izvržene ali leteče predmete. Prisotni (še posebej otroci in živali) naj bodo med obratovanjem oddaljeni vsaj 15 m od delovnega območja.



Pred uporabo enote vedno odstranite zaščito rezila.



Mazivo za meč in verigo



Smer premikanja verige



Ustreza vsem predpisanim standardom v državi članici EU, kjer je bil kupljen izdelek.



EurAsian oznaka o skladnosti



Odpadne električne izdelke odlagajte skupaj z ostalimi gospodinjstvi odpadki. Reciklažo opravljajte na predpisanih mestih. Za reciklažni nasvet se obrnite na lokalne oblasti.



Ukrajinska oznaka za skladnost

Sledeče signalne besede in pomeni naj bi pojasnili ravni tveganja, ki so povezane s tem izdelkom.

⚠ NEVARNOST

Označuje neizbežno tvegano stanje, ki če se ji ne izognete lahko povzroči smrt ali resno poškodbo.

⚠ OPOZORILO

Označuje morebitno tvegano stanje, ki če se ji ne izognete lahko povzroči smrt ali resno poškodbo.

⚠ POZOR

Označuje morebitno tvegano stanje, ki če se mu ne izognete lahko povzroči manjšo ali srednje resno poškodbo.

POZOR

Brez simbola za varnostno opozorilo

Prikazuje situacijo, ki lahko povzroči materialno škodo.

- EN
- FR
- DE
- ES
- IT
- NL
- PT
- DA
- SV
- FI
- NO
- RU
- PL
- CS
- HU
- RO
- LV
- LT
- ET
- HR
- SL**
- SK
- BG
- UK

Bezpečnosť, efektívnosť a spoľahlivosť boli prvoradáre pri navrhovaní vášho prídavného zariadenia – prerezávacej píly.

ÚČEL POUŽITIA

Toto prídavného zariadenia – prerezávacej píly, je schválené pre použitie so všetkými Ryobi/Homelite benzínovými pohonmi s objemom motora 30 cm³ a menej alebo s elektrickým pohonom RPH1200, RLT12381, RBC12261.

Môžu ho používať len svojprávnosť dospelé osoby, ktoré si prečítali a porozumeli pokynom a varovaniam v tejto príručke a v príručke na príslušný pohon. Tento produkt je určený len pre použitie v exteriéri. Z bezpečnostných dôvodov musí byť krovinores náležite ovládaný pomocou oboch rúk.

Tento produkt je určený na rezanie a prerezávanie malých konárov a vetiev nachádzajúcich sa vyššie na strome, pričom obsluhujúca osoba stojí v pevnom postoji na zemi. Produkt je skonštruovaný tak, že ho možno predĺžiť maximálne na dĺžku 2.6 m. Neprekračujte túto pracovnú dĺžku.

Nie je určené na použitie pri šplhaní alebo ako konvenčná reťazová píla na odvetvovanie v tesných priestoroch a prerezávanie materiálu na úrovni zeme.

VAROVANIE

Pri používaní tohto produktu sa musia dodržiavať bezpečnostné zásady. Pre vašu vlastnú bezpečnosť a bezpečnosť okolostojacich osôb si pred použitím produktu prečítajte tento návod. Odložte si tento návod na neskoršie použitie.

VAROVANIE

Tento produkt nie je vhodný pre použitie s benzínovými mechanickými hlavicami vybavenými pomocnými cyklistickými rukoväťami.

VŠEOBECNÉ BEZPEČNOSTNÉ VÝSTRAHY

PRE MONTÁŽ S BENZÍNOVÝM PohonOM

- Pred použitím produktu si prečítajte s porozumením všetky pokyny, dosiahnete tak bezpečnú prevádzku. Dodržujte všetky bezpečnostné pokyny. Nedodržanie všetkých pokynov môže spôsobiť vážne zranenia.
- Nikdy neštartujte ani nespúšťajte motor v uzavretom alebo nedostatočnej vetranom priestore – pri nadýchaní výfukových plynov hrozí usmrtenie.
- Nedotýkajte sa priestoru okolo výfuku alebo valca výroby, tieto časti sa počas prevádzky silne zahrievajú.
- Vždy vypnite motor predtým ako budete robiť akékoľvek nastavovanie. Predtým, ako vykonáte akékoľvek kontroly, úpravy a pod., nechajte stroj úplne vychladnúť.
- Pri miešaním paliva alebo plnení palivovej nádrže nefajčite.
- Palivo miešajte a skladujte v nádobe určenej na palivo.
- Palivo miešajte vonku, v bezpečnej vzdialenosti od

zdrojov iskrenia a otvoreného ohňa. Akýkoľvek rozliaty benzín ihneď utrite. Pred spustením motora sa presuňte 9 m (30 stôp) od miesta na dopĺňanie paliva.

- Pred doplnením paliva alebo skladovaním zariadenia zastavte motor a nechajte zariadenie vychladnúť.
- Nechajte motor vychladnúť; vyprázdňte palivovú nádrž a olejovú nádrž (v prípade potreby) a zaisťte zariadenie proti pohybu pred prepravou vo vozidle.

VAROVANIE

Pri uvoľnení regulačného spínača pri motore bežiacom na voľnobeh sa rezný nástavec alebo reťaz nesmú pohybovať. Ak sa ďalej pohybuje, hrozí nebezpečenstvo závažného poranenia obsluhujúceho. Na zariadenie nevyvíjajte silu. Vráťte ho do autorizovaného servisného centra na profesionálne nastavenie.

PRE MONTÁŽ S ELEKTRICKÝM PohonOM

VAROVANIE

Prečítajte si všetky bezpečnostné výstrahy a pokyny. Pri nedodržaní týchto výstrah a pokynov môže dôjsť k úrazu elektrickým prúdom, požiaru a/alebo závažnému poraneniu.

Odložte všetky upozornenia a pokyny použité v budúcnosti.

Pojem „mechanický nástroj“ vo výstrahách sa vzťahuje na váš sieťový (káblový) mechanický nástroj alebo akumulátorový (bezkáblový) mechanický nástroj.

PRACOVNÝ PRIESTOR

- **Pracovisko udržiavajte v čistote a správne osvetlené.** Prepchané alebo tmavé miesta zvyšujú pravdepodobnosť nehôd.
- **Nepracujte s mechanickými nástrojmi vo výbušných atmosférach, napríklad v blízkosti zápalných tekutín, plynov alebo prachu.** Mechanické nástroje vytvárajú iskry, ktoré môžu podpáliť takýto prach alebo výpary.
- **Deti a okolostojaci sa počas práce s mechanickým nástrojom nesmú zdržovať v jeho blízkosti.** Rozptylenie môže spôsobiť, že stratíte nad nástrojom kontrolu.

ELEKTRICKÁ BEZPEČNOSŤ

- **Zástrčky mechanického nástroja musia zodpovedať zásuvke. Zástrčku nikdy žiadnym spôsobom neupravujte. S uzemnenými mechanickými nástrojmi nepoužívajte rozdvojnú zásuvku.** Použitím neupravovaných zástrčiek a zodpovedajúcich zásuviek sa znižuje riziko úrazu elektrickým prúdom.
- **Vyhýbajte sa telesnému kontaktu s uzemnenými povrchmi, napríklad rúrami, radiátormi, sporákmi a chladničkami.** Ak je vaše telo uzemnené, hrozí vysoké riziko úrazu elektrickým prúdom.
- **Nevystavujte produkt dažďu ani mokrému prostrediu.** Voda, ktorá vnikne do mechanického nástroja, zvyšuje riziko úrazu elektrickým prúdom.



EN
FR
DE
ES
IT
NL
PT
DA
SV
FI
NO
RU
PL
CS
HU
RO
LV
LT
ET
HR
SL
SK
BG
UK

- **Kábel nenamáhajte. Nikdy nepoužívajte kábel na prenášanie, ťahanie alebo odpájanie mechanického nástroja.** Kábel nedávajte do blízkosti tepla, oleja, ostrých okrajov alebo pohyblivých dielov. Poškodené alebo zamotané káble zvyšujú riziko úrazu elektrickým prúdom.
- **Pri práci s mechanickým nástrojom v exteriéri používajte predĺžovací kábel vhodný pre použitie v exteriéri.** S káblom vhodným pre použitie v exteriéri sa znižuje riziko úrazu elektrickým prúdom.
- **Ak je nevyhnutné pracovať s mechanickým nástrojom vo vlhkom prostredí, použite zdroj chránený zariadením pre zvyškový prúd.** Použitie zariadenia pre zvyškový prúd znižuje riziko úrazu elektrickým prúdom.

OSOBNÁ BEZPEČNOSŤ

- **Pri práci s mechanickým nástrojom buďte ostražití, sledujte, čo robíte a používajte zdravý rozum. Nepoužívajte mechanický nástroj, keď ste unavení alebo pod vplyvom drog, alkoholu alebo liekov.** Chvilka nepozornosti počas práce s mechanickými nástrojmi môže spôsobiť závažné osobné poranenie.
- **Používajte osobné ochranné pomôcky. Vždy používajte chrániče zraku.** Ochranné pomôcky ako protiprachová maska, protišmyková bezpečnostná obuv, pevný klobúk alebo chrániče sluchu, používané pre príslušné podmienky, znižujú riziko vzniku osobného poranenia.
- **Zabráňte neúmyselnému spusteniu. Pred zapojením zariadenia do siete a/alebo k jednotke akumulátora, zdvíhaním alebo prenášaním nástroja vždy skontrolujte, či je spínač vo vypnutej polohe.** Pri prenášaní mechanických nástrojov s prstom položeným na spínači alebo pripájaní mechanických nástrojov so zapnutým spínačom sa zvyšuje riziko úrazu.
- **Pred zapnutím nástroja odstráňte prípadný nastavovací klin alebo kľúč.** Keď necháte kľúč alebo klin nasadený na rotujúci diel mechanického nástroja, môže dôjsť k vážnemu poraneniu osôb.
- **Neprečeňujte sa. Neustále zachovávajte pevnú oporu nôh a rovnováhu.** Tak si zaistíte lepšiu kontrolu nad mechanickým nástrojom v nečakaných situáciách.
- **Primerane sa oblečte. Nenoste voľný odev ani šperky. Vlasy, odev a rukavice nepribližujte k pohybujúcim sa dielom.** Voľný odev, šperky či dlhé vlasy sa môžu zachytiť do pohyblivých častí.
- **Ak sú zariadenia vybavené pripojením na prostriedky na odsávanie a zber prachu, zaistite, aby boli správne pripojené a primerane sa používali.** Pri použití týchto prostriedkov sa znižujú riziká pochádzajúce z prachu.

POUŽÍVANIE ELEKTRICKÉHO NÁSTROJA A STAROSTLIVOSŤ OŇ

- **Na nástroj nevyvíjajte silu. Používajte vhodný nástroj pre dané použitie.** Správny mechanický nástroj splní svoju úlohu lepšie a bezpečnejšie pri rýchlosti, na ktorú je určený.
- **Mechanický nástroj nepoužívajte, ak spínač**

nezapína a nevypína nástroj. Mechanický nástroj, ktorý sa nedá ovládať spínačom, je nebezpečný a musí sa dať opraviť.

- **Pred vykonaním akýchkoľvek úprav, výmene príslušenstva alebo odložením mechanického nástroja odpojte zástrčku zo sieťovej zásuvky a/alebo jednotky akumulátora.** Takéto preventívne opatrenie znižuje riziko neúmyselného spustenia mechanického nástroja.
- **Nečinné mechanické nástroje odložte mimo dosahu detí a nedovoľte používať mechanický nástroj osobám neoboznámeným s mechanickým nástrojom alebo týmito pokynmi.** Mechanické nástroje sú v rukách netrénovaných osôb nebezpečné.
- **Na mechanických nástrojoch vykonávajte údržbu. Skontrolujte, či pohyblivé diely nie sú nesprávne nastavené alebo zablokované, či niektoré diely nie sú poškodené, ako aj akýkoľvek iný stav, ktorý by mohol ovplyvniť činnosť mechanického nástroja. V prípade poškodenia nechajte mechanický nástroj pre použitím opraviť.** Veľké množstvo nehôd je spôsobených nedostatočnou údržbou mechanických nástrojov.
- **Rezacie nástroje udržiavajte ostré a v čistote.** Správne udržiavané rezacie nástroje s ostrými ostriami sa menej pravdepodobne zaseknú a ľahšie sa ovládajú.
- **Mechanický nástroj, príslušenstvo a vrtáky a pod., používajte v súlade s týmto návodom, pričom berte do úvahy pracovné podmienky a úlohu, ktorú chcete vykonať.** Pri používaní mechanického nástroja na iné ako určené činnosti môže dôjsť k nebezpečným situáciám.

OPRAVY

- **Servis mechanického nástroja prenechajte kvalifikovanému servisnému pracovníkovi s použitím len identických náhradných dielov.** Takto zachováte bezpečnosť mechanického nástroja.

AKUMULÁTOR – BEZPEČNOSTNÉ VÝSTRAHY

- Niektoré regióny majú nariadenia, ktoré obmedzujú použitie produktu na určité operácie. Poradte sa s miestnym úradom.
- Produkt nikdy nedovoľte používať deťom alebo osobám neoboznámeným s návodom na použitie. Miestne platné predpisy môžu obmedzovať dobu použitia kosačky.
- Pred každým použitím skontrolujte, či všetky ovládacie prvky a bezpečnostné zariadenia fungujú správne. Produkt nepoužívajte, ak hlavný spínač nevypína motor.
- Pri práci s produktom používajte kompletné chrániče zraku a sluchu, pevné a odolné rukavice a ochranu hlavy. V prašnom prostredí použite tvárovú masku.
- Nenoste oblečenie voľného strihu, krátke nohavice, ani bižutériu žiadneho druhu.
- Dlhé vlasy zaistite, aby boli nad úrovňou pliec a nedošlo tak k ich zamotaniu do pohyblivých dielov.
- Použitie ochrany sluchu znižuje schopnosť počuť zvukové výstrahy (výkriky alebo alarmy). Operátor musí





dávať zvlášť pozor, čo sa deje v pracovnej oblasti.

- Pri používaní podobných nástrojov v blízkosti sa zvyšuje riziko poranenia sluchu a potenciál pre ostatné osoby, ktoré vstúpia do pracovného priestoru.
- Pozor na vymršťované predmety – všetky okolostojace osoby, deti a domáce zvieratá musia stáť minimálne 15 m od pracoviska. Ak nejaká osoba vstúpi do pracovného priestoru, zastavte produkt.
- Nepracujte pri nedostatočnom osvetlení. Obsluhujúci musí mať jasný výhľad na pracovný priestor, aby mohol identifikovať potenciálne nebezpečenstvo.
- Udržujte bezpečný postoj a rovnováhu. Nepreceňujte sa. Pri siahaní príliš ďaleko môžete stratiť rovnováhu a zvýšite riziko spätného nárazu.
- Nepoužívajte tento produkt, keď ste unavení, chorí alebo pod vplyvom, alkoholu, drog alebo liekov.
- Žiadnu časť tela nedávajte do blízkosti žiadnej pohybujúcej sa časti.
- Pred každým použitím nástroj skontrolujte. Skontrolujte správnu činnosť všetkých ovládacích prvkov. Skontrolujte, či nie sú uvoľnené napínadlá a či sú všetky kryty a rukoväte správne a bezpečne nasadené. Pred použitím vymeňte všetky poškodené diely.
- Zariadenie žiadnym spôsobom neupravujte ani nepoužívajte diely či príslušenstvo, ktoré neodporúča výrobca.
- Nedovoľte, aby vaša blízka znalosť zariadenia (získaná v dôsledku častého používania) spôsobila nebalé používanie. Nedbanlivosť môže spôsobiť závažné poranenie v zlomku sekundy.
- Rukoväte a úchopné povrchy udržiavajte suché, čisté a bez zvyškov oleja či maziva. Klzké rukoväte a úchopné povrchy neumožňujú bezpečnú manipuláciu a ovládanie nástroja v neočakávaných situáciách.

VAROVANIE

Ak produkt spadne, utrpí silný náraz alebo začne neštandardne vibrovať, okamžite ho zastavte s skontrolujte, či nedošlo k poškodeniu alebo zistite príčinu vibrácií. Akékoľvek poškodenie sa musí náležite opraviť alebo vymeniť v autorizovanom servisnom centre.

PRE MONTÁŽ S ELEKTRICKÝM PohonOM

- Elektrické napájanie musí byť privádzané cez zariadenie pre zvyškový prúd s vypínacím prúdom maximálne 30 mA.
- Ak potrebujete použiť predlžovací kábel, dbajte na to, aby bol vhodný na použitie v exteriéri a mal prúdovú kapacitu dostatočnú na napájanie vášho produktu. Pred každým použitím skontrolujte, či nedošlo k poškodeniu. Pri použití ho vždy odviňte, lebo zvinuté káble sa môžu prehrievať.
- Ak je sieťový kábel poškodený, musí byť pred použitím vymenený.

ODVETVOVÁČ – BEZPEČNOSTNÉ VÝSTRAHY

- Nikdy nepoužívajte odvetvovávač, keď hrozí búrka alebo úder bleskom. Odvetvovávač a napájacie káble

odložte na bezpečné miesto v interiéri.

- Skontrolujte, či sú všetky ochranné kryty, rukoväte správne nasadené a v dobrom stave.
- Nepúšťajte sa do práce s produktom, kým nevyčistíte pracovisko, nezaistíte si pevný postoj a nebudete mať naplánovanú únikovú trasu od vetiev alebo konárov.
- Pozor na vyfukovanie oparu maziva a pilín. V prípade potreby použite masku alebo respirátor.
- Odvetvovávač pri práci vždy držte oboma rukami. Jednou rukou pevne uchopíte prednú rukoväť. Druhú ruku použijete na uchopenie zadnej rukoväte a obsluhu nástroja.
- Elektrický nástroj držte len za izolovaný úchopný povrch, lebo pilová reťaz sa môže dostať do kontaktu so skrytými vodičmi. Pilová reťaz v kontakte so „živým“ vodičom by mohli spôsobiť, že obnažené kovové diely budú pod prúdom a spôsobiť obsluhujúcemu zásah elektrickým prúdom.
- Produkt žiadnym spôsobom nemodifikujte, ani ho nepoužívajte na poháňanie žiadnych nástavcov alebo zariadení, ktoré neodporúča výrobca produktu.
- Postroj sa dodáva s odvetvovávačom. Musíte ho používať pri práci s odvetvovávačom. Pomôže vám ovládať pokles odvetvovávača po dokončení rezu. Pomáha tiež niesť hmotnosť nástroja pri práci a pri presúvaní medzi pozíciami pri odvetvovávaní.
- Oboznámte sa s činnosťou mechanizmu rýchleho uvoľnenia a vyskúšajte si jeho používanie predtým, ako začnete používať zariadenie. Jeho správne použitie môže zabrániť vážnemu poraneniu v prípade ohrozenia. Nikdy nenoste na postroji ďalší odev ani nijako inak neobmedzujte prístup k mechanizmu rýchleho uvoľnenia.
- Pred spustením nástroja skontrolujte, či sa reťazová píla nedotýka žiadneho predmetu.
- Nesprávne napnutá reťaz môže vyskočiť z vodiacej lišty a spôsobiť závažné poranenie alebo smrť. Skontrolujte pred každým použitím a kontrolujte pravidelne, najmä s novou reťazou.
- Aby sa znížilo riziko poranenia, spojeného s pohybujúcimi sa časťami, vždy zastavte výrobok a odpojte od napájania (v prípade potreby) a uistite sa, že sa všetky pohyblivé časti zastavili, predtým ako:
 - čistenie alebo odstránenie upchatia
 - ponechanie produktu bez dozoru
 - montáž alebo demontáž nástavcov
 - kontrola, údržba alebo práca na zariadení
- Keď sa špička vodiacej lišty dotkne nejakého predmetu alebo keď sa reťaz zakliesni v reze, môže dôjsť k spätnému rázu. Kontakt hrotu môže v niektorých prípadoch spôsobiť náhlu zvrtnú reakciu, odhodí vodiacu lištu nahor a dozadu smerom k obsluhujúcemu. Pri zovretí pilovej reťaze pozdĺž horného okraja vodiacej lišty môže prudko postrieť vodiacu lištu dozadu smerom k obsluhujúcemu. Pri každej z týchto reakcií môže dôjsť k strate kontroly nad nástrojom, čo by mohlo spôsobiť závažné osobné poranenie. Nespoliehajte sa výlučne na bezpečnostné zariadenia zabudované vo vašom nástroji. Ako používateľ odvetvovávača musíte vykonať niekoľko krokov, aby pri vašich operáciách pilenia





nedochádzalo k nehodám či zraneniam. Spätný náraz je výsledok nesprávneho používania nástroja a/alebo nesprávnych prevádzkových postupov a možno mu predchádzať vykonávaním príslušných predbežných opatrení uvedených nižšie:

- Vďaka základným znalostiam o spätnom ráze môžete znížiť alebo vylúčiť moment prevrpenia. Náhle prevrpenie je jednou z príčin úrazov.
- Skontrolujte, či sa v pracovnej zóne nenachádzajú prekážky. Nedovoľte, aby sa počas používania produktu špička vodiacej lišty dotkla vetvy, konára či akekoľvek inej prekážky.
- Udržiavajte pevný úchop nástroja oboma rukami a vaše telo a rameno v polohe, ktorá vám umožní odolávať silám spätného nárazu. Sily spätného nárazu môže kontrolovať obsluhujúci, ak podnikne príslušné predbežné opatrenia. Odvetvováč nepúšťajte.
- Neprečunujte sa. Tak predídete neúmyselnému kontaktu hrotu a zaistíte si lepšiu kontrolu nad produktom v neočakávaných situáciách.
- Používajte len náhradné lišty a reťaze špecifikované výrobcom. Nesprávne náhradné lišty a reťaze môžu spôsobiť pretrhnutie reťaze a/alebo spätný náraz.
- Bezpečné ostrenie reťaze je úloha vyžadujúca určitú zručnosť. Preto výrobca dôrazne odporúča nahradiť opotrebovanú alebo tupú reťaz za novú, ktorá je dostupná v autorizovanom servisnom centre Ryobi. Číslo dielu nájdete v tabuľke špecifikácií produktu v tomto návode.

- Nepoužívajte na rebriku alebo nestabilnom povrchu. Pri rezaní stojte vždy obidvomi nohami na pevnej zemi, aby ste nestratili rovnováhu.
- Na vašu ochranu pred usmrtením elektrickým prúdom nepracujte do vzdialenosti 10 m od visutých elektrických vedení.
- Po častiach odstraňujte konáre. Nepracujte pri nebezpečných polohách. Pozor na padajúce konáre alebo konáre odrazené po páde na zem.
- Buďte mimoriadne opatrní pri rezaní malých krikov a stromčekov, pretože tenké konáriky sa môžu zachytiť v reťazi a vymrštiť smerom k vám alebo narušiť vašu rovnováhu.
- Keď režete konár pod pnutím, buďte pripravení, aby ste mohli rýchle odskočiť, keď napätie v drevených vláknach náhle povieľ.
- Ak výkon rezania časom klesá, skontrolujte, či sú zuby reťaze ostré a čisté. V prípade potreby nahraďte pôvodnú reťaz (a lištu) podľa odporúčaní výrobcu.
- Ak sa reťaz a lišta zovrú alebo zachytia vo vetvách, ktoré sú príliš vysoko na dosiahnutie, požiadajte o pomoc profesionálneho lesníckeho špecialistu, aby bezpečne odstránil rezacie zariadenie.

VAROVANIE

Pred každým použitím a v pravidelných intervaloch skontrolujte, či spojky hriadeľa na predlžovacej tyči a nástroji sú bezpečne upevnené.

OSOBNÉ OCHRANNÉ POMÔCKY

Osobné ochranné prostriedky v dostatočnej kvalite, aké používajú profesionáli, pomôžu znížiť riziko zranenia obsluhujúcej osoby. Pri práci s produktom je nevyhnutné používať nasledujúce položky:

Bezpečnostná helma

- musí spĺňať EN 397 a mať označenie CE

Ochrana sluchu

- musí spĺňať EN 352-1 a mať označenie CE

Ochrana zraku a tváre

- musí mať označenie CE a spĺňať EN 166 (pre ochranné okuliare) alebo EN 1731 (pre mriežkovú priezoy)

Rukavice

- musí spĺňať EN 381-1 a mať označenie CE

Obuv

- musí spĺňať EN 397 a mať označenie CE

OBSLUHA – ODVETVOVÁVANIE

- Pred zahájením práce preskúmajte stav stromu a konárov. Ak nájdete známky poškodenia, spráchnivenia alebo hniloby, nepokúšajte sa odvetvovávať sami. Poškodené alebo prehnité konáre sú veľmi nestabilné. Vyhľadajte služby profesionálneho lesníckeho špecialistu.
- Nikdy nestojte pod rezanou vetvou.
- Odrezané vetvy nie vždy spadnú priamo na zem. Lahko sa zachytia ohnú ostatným lístím. Dbajte na to, aby pri odvetvovaní bola dostupná a udržiavaná bezpečnostná zóna najmenej dvakrát taká dlhá, ako rezaná vetva. Ak toto nie je možné, vyhľadajte pomoc profesionálneho lesníckeho špecialistu.
- Dbajte na to, aby padajúca vetva nepredstavovala nebezpečenstvo pre vás, okolostojacich ani majetok, vrátane obslužných káblov.
- Nikdy nepracujte s nástrojom s tyčou v uhle viac ako 60° od vodorovného smeru.
- Nikdy nepracujte s odvetvovávačom s rezacími zariadeniami bližšie ako 10m od visutých napájacích vedení.
- Na produkt nevyvíjajte silu, nechajte pracovať reťaz na jej vlastnej rýchlosti.
- Nepokúšajte sa rezať vetvu príliš blízko ku kmeňu stromu. Medzi kmeňom a rezom nechajte približne 15 cm.
- Voľne položte vodiacu lištu na vetvu, ktorú chcete rezať a jemne tlačte pílu dopredu, aby aj brobovaný nárazník bol v kontakte s vetvou. Zvýšite tak stabilitu, zlepšíte rezanie a zabezpečíte čistejšie rezy.

EN

FR

DE

ES

IT

NL

PT

DA

SV

FI

NO

RU

PL

CS

HU

RO

LV

LT

ET

HR

SL

SK

BG

UK





- Malé vetvy, ktoré majú malý priemer a súčasne nie sú ťažké, je možné odrezať jedným rezom s použitím spodnej časti vodiacej lišty.
- Pri vetvách väčšieho priemeru alebo silnejších vetvách, kedy môže dôjsť k zlomeniu alebo rozštípeniu vetvy počas rezania, je potrebné rezať najskôr spod vetvy s použitím špičky vodiacej lišty. Tento rez vykonajte približne do jednej tretiny cez vetvu. Potom vykonajte druhý rez nad vetvou s použitím spodnej časti vodiacej lišty, čím sa spojíte s prvým rezom.
- Veľké vetvy radšej odvetvujte po primeraných častiach, radšej ako vcelku.
- Nikdy sa nepokúšajte pokračovať v predchádzajúcom reze s reťazou a lištou v staršom reze. Vždy začnite nový rez. Znížite tak riziko spätného nárazu a možného poranenia.

PREPRAVA A SKLADOVANIE

PRE MONTÁŽ S BENZÍNOVÝM POHONOM

- Pred uskladnením alebo prepravou zastavte produkt a nechajte ho vychladnúť.
- Odstráňte zo zariadenia všetky cudzie materiály.
- Pri dlhodobom skladovaní zariadenia (jeden mesiac a dlhšie) vždy jemne namažte reťaz, aby sa netvorila hrdza. Výrobca odporúča používať mazivo na lištu a reťaz Ryobi, ktoré je k dispozícii v autorizovanom servisnom centre Ryobi.
- Pred skladovaním zariadenia alebo počas prepravy zakryte vodiacu pošvu.
- Vylejte palivo z nádrže do kanistra alebo do inej nádoby, určenej na uchovávanie benzínu. Nezabudnite na správnu výmenu a dotiahnutie palivovej krytky.
- V prípade potreby vypustíte všetok syntetický olej z nádrže do nádoby schválenej pre syntetické oleje. Nezabudnite na správnu výmenu mazacej krytky.
- Nechajte motor bežať, kým sa sám nezastaví. Tým sa z nádrže odčerpá všetko palivo a odstránia sa zvyšky, ktoré by sa mohli usadiť v palivovom systéme.
- Odložte ho na suché a dobre vetrané miesto, na ktoré nemajú prístup deti. Náradie neuskładňujte v blízkosti žieravých látok, ako napríklad v blízkosti záhradníckych chemických prípravkov alebo solí na zimný posyp komunikácií.
- Neskladujte v exteriéri.
- Pri preprave zaistite produkt pred pohybom alebo pádom, aby nedošlo k poraneniu osôb alebo poškodeniu produktu.
- Zariadenie nikdy neprenášajte ani neprevádzajte, kým je spustené.
- Oboznámte sa so všetkými vládnyimi a miestnymi predpismi týkajúcimi sa bezpečného skladovania a manipulácie s palivom.

KRÁTKODOBÉ SKLADOVANIE

- Pred uskladnením alebo prepravou zastavte zariadenie a nechajte ho vychladnúť.
- Odstráňte zo zariadenia všetky cudzie materiály.
- Pred skladovaním zariadenia alebo počas prepravy

zakryte ostrie ochranným krytom ostria.

- Odložte ho na suché a dobre vetrané miesto, na ktoré nemajú prístup deti.
- Náradie neuskładňujte v blízkosti žieravých látok, ako napríklad v blízkosti záhradníckych chemických prípravkov alebo solí na zimný posyp komunikácií.
- Neskladujte v exteriéri.

PRE MONTÁŽ S ELEKTRICKÝM POHONOM

- Zastavte výrobok, odpojte od napájania, a naviňte kábel. Nechajte motor vychladnúť.
- Odstráňte zo zariadenia všetky cudzie materiály. Odložte ho na suché a dobre vetrané miesto, na ktoré nemajú prístup deti. Náradie neuskładňujte v blízkosti žieravých látok, ako napríklad v blízkosti záhradníckych chemických prípravkov alebo solí na zimný posyp komunikácií. Neskladujte v exteriéri.
- Pri dlhodobom skladovaní zariadenia (jeden mesiac a dlhšie) vždy jemne namažte reťaz, aby sa netvorila hrdza. Výrobca odporúča používať mazivo na lištu a reťaz Ryobi, ktoré je k dispozícii v autorizovanom servisnom centre Ryobi.
- Pred skladovaním zariadenia alebo počas prepravy zakryte vodiacu pošvu.
- Pri preprave zaistite zariadenie pred pohybom alebo pádom, aby nedošlo k poraneniu osôb alebo poškodeniu zariadenia.

ÚDRŽBA

⚠ VAROVANIE

Používajte len originálne náhradné diely, príslušenstvo a nástavce výrobcu. V opačnom prípade môže dôjsť k možnému poraneniu, nedostatočnejmu výkonu a strate platnosti záruky.

⚠ VAROVANIE

Údržba vyžaduje extrémnu starostlivosť a znalosti, a musí byť prevádzaná výhradne v autorizovanom servise. Z dôvodu servisu vám odporúčame vrátiť výrobok do najbližšieho autorizovaného servisného centra na opravu. Ak výrobok opravujete, používajte iba rovnaké originálne náhradné diely.

⚠ VAROVANIE

Reťaz je veľmi ostrá. Aby nedošlo k osobnému poraneniu, buďte mimoriadne opatrní pri čistení, montáži alebo demontáži pošvy reťaze a vždy pri vykonávaní údržby na reťazi používajte ochranné rukavice.

⚠ VAROVANIE

Pri nesprávnej údržbe reťaze rastie riziko potenciálneho spätného nárazu. Ak nevymeníte alebo neopravíte poškodenú reťaz, vystavujete sa riziku vážneho zranenia.



- Vypnite alebo odpojte výrobok od napájania a uistite sa, že sa všetky pohyblivé diely úplne zastavili, pred vykonávaním akejkoľvek údržby alebo čistenia.
- Môžete vykonávať úpravy a opravy popísané v tejto príručke. Pri ostatných opravách sa obráťte na autorizovaného servisného zástupcu.
- Dodržiavajte pokyny na mazanie a kontrolu a nastavovanie napnutia reťaze.
- Po každom použití vyčistite telo a rukoväť produktu suchou tkaninou.
- Skontrolujte všetky skrutky, matice v častých intervaloch či sú riadne utiahnuté, aby sa zaistila bezpečná prevádzka produktu. Akýkoľvek poškodený diel sa musí náležite opraviť alebo vymeniť v autorizovanom servisnom centre.

Úrník vzdrževania

Každodenné čistenie	
Mazanie tyče	Pred každým použitím
Napetost verige	Pred každým použitím a pravidelne
Ostrino verige	Pred každým použitím, vizuálna kontrola
Poškodovanosť delov	Pred každým použitím
Prítomnosť prítřil	Pred každým použitím
Palivová zmes alebo palivo a syntetický olej (iba pri benzínovom pohone)	Pred každým použitím
Zapojenie spojky (iba pri benzínovom pohone) (bez pohybu pri voľnoběžných otáčkach motora)	Pred každým použitím
Poškodenie sieťového kábla (iba pri elektrickom pohone)	Pred každým použitím

ZVYŠKOVÉ RIZIKÁ:

Aj keď sa nástroj používa podľa predpisu, nie je možné eliminovať určité zvyškové rizikové faktory. Pri použití vznikajú nasledujúce riziká a obsluhujúca osoba musí venovať zvláštnu pozornosť, aby nedošlo k nasledovnému:

- Zranenie spôsobené vibráciami. Vždy používajte vhodný nástroj pre danú úlohu, používajte určené rukoväte a obmedzte pracovný čas a mieru rizika.
- Vystavovanie hluku môže spôsobiť poranenie sluchu. Používajte ochranu sluchu a obmedzte expozíciu.
- Kontakt s obnaženými zubami reťaze reťazovej pily (nebezpečenstvo porezania).
- Neočakávaný, náhly pohyb alebo spätný náraz vodiacej lišty (nebezpečenstvo porezania).
- Diely vyrúbené z pilovej reťaze (nebezpečenstvo porezania/vstreknutia).
- Vyvrhnuté kusy obrobku (drevené triesky, odštepky).
- Vdýchnutie dreveného prachu a častíc.

- Kontakt pokožky s mazivom či olejom.

OBMEDZENIE RIZIKA

Boli hlásené prípady, kedy vibrácie z ručných nástrojov u niektorých osôb prispeli k stavu nazývanému Raynaudov syndróm. K symptómom patria: típnutie, znecitlivenie a blednutie prstov, zvyčajne zjavné po vystavení zime. Je známe, že k vývoju týchto symptómov prispievajú: dedičné faktory, vystavovanie zime a vlhkosti, diéta, fajčenie a pracovné návyky. Opatrenia, ktoré môže vykonať obsluhujúca osoba na možné zníženie účinkov vibrácií:

- V studenom počasí udržiavajte svoje telo v teple. Pri práci so zariadením noste rukavice, aby ste mali ruky a zápästia v teple. Boli hlásené prípady, kedy hlavným faktorom prispievajúcim k Raynaudovmu syndrómu bolo studené počasie.
- Po každom určitom časovom úseku prevádzky cvičte, aby ste zlepšili krvný obeh.
- Počas práce si doprajte časté prestávky. Obmedzte počet vystavení za deň.

Ak zistíte ktorýkoľvek zo symptómov tohto stavu, okamžite prerušte používanie zariadenia, navštívte svojho lekára a povedzte mu o symptómoch.

VAROVANIE

Pri dlhodobom alebo zvýšenom používaní môže dôjsť k zraneniam. Pri používaní nástroja príliš dlhé obdobia si vždy doprajte pravidelné prestávky.

OBOZNÁMTE SA S VAŠIM PRODUKTOM

Pozrite stranu 175.

1. Reťaz
2. Lišta
3. Šesťhrannú maticu
4. Kryt reťazového kolesa
5. Puzdro
6. Olejové viečko
7. Krátka oceľová rúrka
8. Záves nadstavca

SYMBOLY NA PRODUKTE



Výstražná značka



Pred použitím produktu si s porozumením prečítajte všetky pokyny a dodržiavajte výstražná a bezpečnostné upozornenia.



Používajte chrániče zraku, sluchu a hlavy.



Pri používaní tohto produktu používajte nešmyklavú obuv.



Používajte protišmykové odolné rukavice.



Nevystavujte dažďu ani nepoužívajte vo vlhkom prostredí.



Nebezpečenstvo úrazu elektrickým prúdom, minimálne 10 m od elektrických vedení nad hlavou



Pozor na vymrštené alebo odletujúce objekty. Všetky okolostojace osoby (najmä deti a domáce zvieratá) musia stáť minimálne 15 m od miesta práce



Vždy pred použitím výrobku dajte dole puzdro.



Mazivo na lištu a reťaz



Smer pohybu reťaze



Vyhovuje všetkým regulačným normám v krajine EÚ, v ktorej bol výrobok zakúpený.



Euroázijská značka zhody



Opotrebované elektrické zariadenia by ste nemali odhadzovať do domového odpadu. Prosíme o recykláciu ak je možné. Kontaktujte miestne úrady, alebo predajcu pre viac informácií ohľadom ekologického spracovania.



Ukrajinské označenie zhody

Nasledujúce značky a významy vysvetľujú úroveň rizika spojeným s výrobkom.

⚠ NEBEZPEČENSTVO

Označuje bezprostredne nebezpečnú situáciu, ktorá môže vyústiť v smrť, alebo vážne zranenie.

⚠ VAROVANIE

Označuje potenciálne nebezpečnú situáciu, ktorá môže vyústiť v smrť, alebo vážne zranenie.

⚠ VÝSTRAHA

Označuje potenciálne nebezpečnú situáciu, ktorá môže vyústiť v ľahké, alebo stredne ťažké zranenie.

VÝSTRAHA

Bez symbolu bezpečnostného alarmu

Označuje situáciu, ktorá môže zapríčiniť poškodenie majetku.



Безопасността, производителността и надеждността са аспектите, на които е отделен най-голям приоритет при проектирането на вашата приставка на хросторез.

ПРЕДНАЗНАЧЕНИЕ

Това приставка на хросторез е одобрено за употреба с всички бензинови задвижващи глави на Ryobi/Homelite от 30cc или по-малко или с електрическа задвижваща глава RPH1200, RLT1238I, RBC1226I.

То е предназначено да се използва само от възрастни, които са прочели и разбрали указанията и предупрежденията в това ръководство и в ръководството на съответната задвижваща глава и могат да се считат за отговорни за своите действия. Този продукт е предназначен за използване само на открито. От съображения за сигурност, продуктът трябва да бъде управляван адекватно чрез работа с двете ръце.

Този продукт е предназначен за рязане и кастрене на малки клонове и ветви (с диаметър по-голям или равен на дължината на шината), които са на високо в дървото, докато операторът поддържа стабилна позиция на земята. Продуктът е предназначен да бъде удължаван до максимална дължина от 2.6 метра. Не надвишавайте тази работна дължина.

То не е предназначено за употреба при изкачване или като обикновен верижен трион за кастрене от близко разстояние и рязане на материал на нивото на земята.

каквито и да е настройки. Изчаквайте машината да се охлади преди да ѝ правите оглед, настройки и т.н.

- Не пушете, докато смесвате гориво или пълните резервоара.
- Смесвайте и съхранявайте горивото в съд, одобрен за гориво.
- Смесвайте и сипвайте горивото на открито, далеч от искри и пламък. Съберете разсипаното гориво. Преместете се на разстояние 9 m (30 ft) от мястото на зареждане, преди да стартирате двигателя.
- Преди да презареждате с гориво или да прибирате инструмента за съхранение, спирайте двигателя и изчаквайте да се охлади.
- Изчаквайте, докато моторът се охлади, изпразнете резервоара за гориво и резервоара за масло (ако има такъв) и застопорете стабилно машината, ако ще я транспортирате с превозно средство.

⚠ ПРЕДУПРЕЖДЕНИЕ

Когато дроселният спусък е отпуснат и двигателят работи на празен ход, режещата приставка или верига не трябва да се движи. Ако тя продължава да се движи, съществува риск от сериозно нараняване на оператора. Не използвайте машината. Върнете я в оторизиран сервизен център, където да бъде регулирана от специалисти.

ЗА МОНТАЖ С ЕЛЕКТРИЧЕСКА ЗАДВИЖВАЩА ГЛАВА

⚠ ПРЕДУПРЕЖДЕНИЕ

Прочетете всички предупреждения относно безопасността и всички инструкции. Неспазването на предупрежденията и инструкциите може да доведе до токов удар, пожар и/или сериозни наранявания.

Съхранявайте всички предупреждения и инструкции за бъдещи справки.

Терминът "електрически инструмент" в предупрежденията се отнася за вашия инструмент - със захранване от електрическата мрежа (с кабел) или на батерия (безжичен).

БЕЗОПАСНОСТ НА РАБОТНАТА ЗОНА

- **Поддържайте работното пространство чисто и добре осветено.** Безпорядъкът или тъмнината в работното пространство са предпоставка за злополуки.
- **Не използвайте електрически инструменти в експлозивни среди, например в присъствието на запалителни течности, газове или прах.** По време на работа електрическите инструменти произвеждат искри, които могат да възпламенят прах или пари.
- **Дръжте децата и страничните наблюдатели далече, докато боравите с електрически инструмент.** Ако вниманието ви бъде отклонено, може да загубите контрола над електрическия

⚠ ПРЕДУПРЕЖДЕНИЕ

При използване на продукта трябва да се спазват правилата за безопасност. За осигуряване на вашата безопасност и тази на страничните наблюдатели прочетете тези инструкции, преди да работите с продукта. Съхранявайте ръководството за експлоатация на сигурно място, за да можете да го ползвате и по-късно.

⚠ ПРЕДУПРЕЖДЕНИЕ

Този продукт не може да се използва при бензинови задвижващи глави с велосипедни ръкохватки.

ОБЩИ ПРЕДУПРЕЖДЕНИЯ ЗА БЕЗОПАСНОСТ

ЗА МОНТАЖ С БЕНЗИНОВА ЗАДВИЖВАЩА ГЛАВА

- За да бъде работата ви безопасна, трябва да прочетете и да разберете всички указания, преди да използвате продукта. Спазвайте всички инструкции за безопасност. При неспазване на тези инструкции може да се причинят тежки телесни повреди.
- Никога не стартирайте двигателя в затворено или слабо проветриво пространство; вдихването на изгорелите газове може да е смъртоносно.
- Не докосвайте областта около заглушителя или цилиндъра на продукта; тези части се нагорещават по време на работа.
- Винаги спирайте двигателя, преди да правите



инструмент.

ЕЛЕКТРИЧЕСКА БЕЗОПАСНОСТ

- Щепселът на електрическия инструмент трябва да е съвместим с контакта. В никакъв случай не внасяйте изменения в конструкцията на щепсела. Когато работите със занулени електрически инструменти, не използвайте адаптери за щепсела. Използването на оригиналните щепсели и контакти намалява риска от токов удар.
- Избягвайте допир със заземени повърхности, като тръби, радиатори, печки и хладилници. Когато тялото ви е заземено, рискът от възникване на токов удар е по-голям.
- Не излагайте продукта на дъжд или влажни условия. Проникването на вода в електрическия инструмент повишава опасността от токов удар.
- Не насилвайте захранващия кабел. Никога не носете, не изключвайте и не дърпайте електрическия инструмент за кабела. Предпазвайте кабела от нагряване, омасляване, допир до остри ръбове или до подвижни звена на машини. Повредените или усукани кабели увеличават риска от токов удар.
- Когато работите с електрически инструмент на открито, използвайте само удължителни кабели, предназначени за работа на открито. Използването на удължител, предназначен за работа на открито, намалява риска токов удар.
- Ако не можете да избегнете използването на електрически инструмент на влажно място, използвайте RCD (прекъсвач със защитно изключване). Използването на RCD намалява опасността от електрически удар.

ЛИЧНА БЕЗОПАСНОСТ

- Бъдете бдителни, внимавайте какво правите и проявявайте благоразумие, когато боравите с електрически инструмент. Не използвайте електрическия инструмент, когато сте уморени или под влиянието на наркотични вещества, алкохол или лекарства. Миг невнимание, докато боравите с електрически инструмент, е достатъчен за получаването на сериозни наранявания.
- Използвайте лична защитна екипировка. Винаги носете защитни очила. Защитната екипировка, като маска против прах, пригодени против плъзгане защитни обувки, твърда шапка или антифони, използвани за подходящите условия, ще намали опасността от физически наранявания.
- Не допускайте нежелано стартиране. Преди да вдигате или носите инструмента и преди да го включвате в електрическата мрежа и/или батерия, винаги проверявайте дали превключателят е на позиция OFF (изкл). Носенето на инструмента с пръст върху превключателя или включването му към електричеството, докато превключателят му е на включен, е предпоставка за злополуки.
- Махнете всички гаечни или френски ключове за настройка преди да включите инструмента.

Помощен инструмент, забравен на въртящ се елемент, може да доведе до физически наранявания.

- Не се протягайте, за да работите на трудно достижими места. Винаги стъпвайте стабилно по време на работа и пазете равновесие. Това дава възможност за по-добър контрол над електрическия инструмент в неочаквани ситуации.
- Обличайте се целесъобразно. Не носете широки дрехи или украшения. Дръжте косата, дрехите и ръкавиците си на безопасно разстояние от подвижните елементи. Широките дрехи, украшенията, дългите коси могат да бъдат захванати и увлечени от движещи се елементи.
- Ако устройствата са оборудвани със съоръжения за издърпване и събиране на прах, уверете се, че е то свързано и функционира правилно. Използването на устройства за събиране на прах ще намали рисковете, свързани с работа в прашни условия.

ИЗПОЛЗВАНЕ И ОБСЛУЖВАНЕ НА ЕЛЕКТРИЧЕСКИЯ ИНСТРУМЕНТ

- Не насилвайте продукта. Използвайте електрическия инструмент, съобразно неговото предназначение. Правилно подобреният електрически инструмент ще свърши работата по-добре и по-безопасно в зададения от производителя диапазон на натоварване.
- Не използвайте електрически инструменти, чиито пусков прекъсвач е повреден. Електрически инструмент, който не може да бъде контролиран посредством превключвател, е опасен и трябва да бъде ремонтиран.
- Изключете щепсела от източника на захранване и/или батерията от електрическия инструмент, преди да извършвате каквито и да е корекции, да сменяте принадлежностите и преди съхраняване на електрическите инструменти. Тази мярка премахва опасността от задействане на електрическия инструмент по невнимание.
- Съхранявайте незаетите електрически инструменти на недостъпни за деца места и не позволявайте на лица, незапознати с инструмента или с тези указания, да боравят с него. Когато са в ръцете на неопитни потребители, електрическите инструменти могат да бъдат изключително опасни.
- Поддържайте електрическите инструменти в изправност. Проверявайте за неизправности или заклиняване в подвижните елементи, за счупени части или други обстоятелства, които могат да влошат работата на електрическия инструмент. Преди да използвате електрическия инструмент, се погрижете повредите да бъдат отстранени. Много от трудовите злополуки се дължат на недобре поддържани електрически инструменти.
- Поддържайте режещите инструменти винаги добре заточени и чисти. Инструменти, за които е полагана правилна грижа и са с добре наточени



режещи елементи, се управляват по-лесно и вероятността да заядат е по-малка.

- **Използвайте електрическите инструменти, принадлежностите и режещите и др. части съобразно тези указания, като се съобразявате с работните условия и с работата, която ще извършвате.** Използването на електрически инструменти за различни от предвидените от производителя приложения повишава опасността от възникване на трудови злополуки.

СЕРВИЗНО ОБСЛУЖВАНЕ

- **Ремонтът на електрическите инструменти трябва да се извършва само от квалифицирани специалисти и само с използването на оригинални резервни части.** По този начин се гарантира поддържането на безопасност при работа с електрическия инструмент.

ДОПЪЛНИТЕЛНИ ПРЕДУПРЕЖДЕНИЯ ЗА БЕЗОПАСНОСТ

- В някои региони има разпоредби, ограничаващи използването на продукта до определени операции. За съвети се обръщайте към местните власти.
- Не позволявайте на деца или на лица, непознати с инструкциите да използват продукта. Местните наредби могат да налагат ограничения за възрастта на оператора.
- Преди всяка употреба проверявайте дали всички контроли и устройства за безопасност функционират правилно. Не използвайте продукта, ако превключвателят "OFF" ("Изключване") не спира мотора.
- При работа с продукта носете предпазни очила, антифони, здрави предпазни ръкавици и защитна каска; използвайте маска за лице, ако дейността е свързана с вдигане на много прах.
- Не носете широки дрехи, шорти или каквито и да било бижута.
- Дългата коса трябва да бъде прибрана на ниво над раменете, за да се избегне нейното заплитане в движещите се части.
- При използване на антифони ще се намали способността да чувате предупреждения (подвиквания или аларми). Операторът трябва да е особено внимателен за това, което се случва в работната зона.
- Ако наблизко се работи с подобни уреди, това увеличава както риска от увреждане на слуха, така и вероятността други хора да навлязат във вашето работно пространство.
- Внимавайте за отхвъркнали предмети; дръжте всички странични наблюдатели, деца и домашни животни на разстояние поне 15 метра от работната зона. Спрете продукта, ако някой навлезе в работната зона.
- Не използвайте тази машина при слабо осветление. Операторът трябва да има чиста видимост върху работното пространство, за да идентифицира потенциални опасности.

- Заемайте стабилна позиция и пазете баланс. Не се протягайте, за да работите на трудно достижими места. Прекомерното протягане може да доведе до загуба на равновесие и да увеличи опасността от откат.
- Не използвайте този продукт, ако сте уморени, болни или под влиянието на алкохол, наркотици или лекарства.
- Дръжте движещите се части на разстояние от тялото си.
- Преди всяка употреба проверявайте машината за неизправности. Проверете дали всички контроли за управление работят както трябва. Проверете за разхлабени свързки и се уверете, че всички предпазители и ръкохватки са стабилно прикрепени. Заменйте повредените части преди употреба.
- Не модифицирайте машината по никакъв начин и не използвайте части и принадлежности, които не са препоръчани от производителя.
- Не допускате грешка по невнимание поради доброто познаване на продукта (породено от честата му употреба). Едно небрежно действие може да доведе до сериозно нараняване в рамките само на секунда.
- Поддържайте ръкохватките и повърхностите за захващане сухи, чисти и неомаслени. Хлъзгавите ръкохватки и повърхности за захващане не дават възможност за безопасно управление и контролиране на инструмента при възникване на неочаквани ситуации.

⚠ ПРЕДУПРЕЖДЕНИЕ

Ако продуктът бъде изпуснат, претърпи силен удар или започне да вибрира неестествено, незабавно изключете продукта и проверете за повреди или се опитайте да идентифицирате причината за вибрирането. Поправките и замените на части при повреда трябва да се извършват от оторизиран сервизен център.

ЗА МОНТАЖ С ЕЛЕКТРИЧЕСКА ЗАДВИЖВАЩА ГЛАВА

- Уредът трябва да бъде захранван чрез прекъсвач за защитно изключване, пропускащ ток не повече от 30 mA.
- Ако е необходимо да използвате удължаващ кабел, проверете дали той е подходящ за работа на открито или дали токовият му капацитет е достатъчен за захранване на вашия продукт. Проверявайте го за повреди преди всяка употреба. Винаги развивайте кабела при работа, защото неразвитите кабели могат да прегреят.
- Ако захранващият кабел бъде повреден, той трябва да се смени преди употреба.

ПРЕДУПРЕЖДЕНИЯ ЗА БЕЗОПАСНА РАБОТА С ХРАСТОРЕЗА

- Никога не използвайте ножицата за жив плет, ако съществува риск от гръмотевични бури или





мълнии. Съхранявайте ножицата за жив плет и захранващите кабели на сигурно и закрито място.

- Уверете се, че всички предпазители и ръкохватки са поставени на мястото им и са в изправност.
- Не започвайте работа с продукта, преди да е осигурена чиста работна зона, стабилна опора и планиран път за оттегляне далече от падащите клони и вейки.
- Внимавайте да не вдихвате пръски от смазочната течност или стърготини. При необходимост носете маска или респиратор.
- Винаги дръжте ножицата за жив плет с две ръце, когато работите с нея. Хванете здраво предната ръкохватка с едната си ръка. Използвайте другата си ръка, за да хванете задната ръкохватка и да управлявате инструмента.
- Дръжте електрическият инструмент само за изолираните повърхности за хващане, тъй като веригата може да влезе в контакт със скрити кабели. Ако веригата влезе в контакт с открити жици, може да протече ток по металните части на електрическият инструмент, в следствие на което операторът може да претърпи токов удар.
- Не модифицирайте продукта по никакъв начин и не го използвайте за захранване или задвижване на приставки и устройства, които не са препоръчани от производителя на вашия продукт.
- Към вашата ножица за жив плет има презрамка. Трябва да го използвате, докато работите с ножицата за жив плет. Това ще ви помогне да контролирате отпускането на ножиците за жив плет, след като разрезът е извършен. Това ще ви помогне също да поддържате тежестта на машината при работа и докато се предвижвате между различни позиции на кастрене.
- Запознайте се с механизма за бързо освобождаване и упражнявайте използването му, преди да започнете да работите с машината. Правилното използване на този механизъм може да предотврати сериозно нараняване при възникване на извънредна ситуация. Никога не носете допълнително облекло над ремъка за закачане, защото така се блокира достъпът до механизма за бързо освобождаване.
- Преди да включите инструмента, се уверете, че веригата не се допира до каквито да е предмети.
- Неправилно обтегнатата верига може да отскочи от водещата шина, което може да доведе до сериозно нараняване или смърт. Проверявайте изправността периодично и преди всяка употреба, особено след монтиране на нова верига.
- За да намалите опасността от нараняване при контакт с движещите се елементи, винаги спирайте инструмента и го, изключвайте от захранването (ако е приложимо), изчакайте всички движещи се елементи напълно да спрат движението си преди:
 - почистване или отстраняване на препятствия
 - оставяне на продукта без надзор
 - монтирате или демонтирате допълнителни приставки
 - извършвате проверки, поддръжка или работа по

машината.

- Може да се получи откат, ако краят на шината влезе в контакт с даден предмет или ако режещата верига бъде затисната и захваната в дървото по време на рязане. Понякога допир до предмет с върха на водещата шина може да предизвика неочаквана обратна реакция, при която водещата шина отскача нагоре и назад по посока на оператора. Заклинването на веригата от горната страна на шината може рязко да отхвърли шината по посока на оператора. Всяка от тези реакции може да предизвика загуба на контрол над машината, което може да доведе до сериозни физически наранявания. Не се осланяйте единствено на защитните съоръжения на машината. При работа с хростореза трябва да вземете комплекс от различни предпазни мерки, за да режете без трудови злоупотреки. Откатът е следствие на неправилно използване на електрическият инструмент. Той може да бъде предотвратен с предприемане на подходящи предпазни мерки, които са описани по-долу:
 - Можете да ограничите и премахнете елемента на изненада, като разберете принципа на отката. Елементът на изненада е основен фактор при злоуполуките.
 - Уверете се, че на работния участък няма предмети, които да пречат. Не позволявайте носа на водещата шина да влиза в контакт с клони, вейки и други препятствия, докато работите с уреда.
 - Поддържайте здрав захват с две ръце върху машината и застанете така, че да можете да противостоите на откатните сили. Ако се вземат подходящи предпазни мерки, при възникване на откат операторът може да овладее възникващите откатни сили. В никакъв случай не пускайте ножицата за жив плет.
 - Не се протягайте, за да работите на трудно достижими места. Така предотвратявате нежеланото докосване на предмети с върха на уреда и ще имате по-добър контрол над продукта при внезапно възникване на неочаквани ситуации.
 - Винаги използвайте само резервни водещи шини и режещи вериги, посочени от производителя. Неподходящите шини или вериги могат да предизвикат счупване на веригата или възникване на откат.
 - Безопасното заточване на веригата е дейност, която изисква съответните умения. Затова производителят силно препоръчва да подмените износените и затъпени вериги с нови, които можете да намерите във вашия оторизиран сервизен център на Ryobi. Каталогният номер е поместен в таблицата със спецификациите на продукта в настоящото ръководство.
- Не използвайте, докато сте стъпили на стълба или върху нестабилна повърхност. Стъпете стабилно върху твърда повърхност, когато режете. Така няма да загубите равновесие по време на работа.





- За да се предпазите от токов удар, не работете с машината на по-малко от 10 метра от надземни електрически кабели.
- Отстранявайте клоните на части. Не използвайте в опасни положения. Пазете се от падащи или отскочили след удар в земята клони.
- Бъдете изключително внимателни, когато режете малки клончета, тъй като тънките предмети могат да се захванат от веригата и да бъдат отхвърлени към вас или да нарушат равновесието ви.
- Когато режете клон, който е под опън, бъдете готови да отскочите бързо назад, за да не ви удари, когато дървесните нишки се отпуснат.
- Ако след време режещата способност на уреда намалее, проверете дали зъбците на веригата са остри и почистени. При необходимост подменете оригиналната верига (и шина) в съответствие с препоръките на производителя.
- Ако веригата и шината се заклекчат или прещипват между високи клони, които не можете да достигнете, потърсете помощ от професионален лесовъд, който да ви насочи как безопасно да освободите режещия механизъм.

▲ ПРЕДУПРЕЖДЕНИЕ

Периодично и преди всяка употреба проверявайте дали са здраво затегнати всички снадки на удължителя и всички свързки на пръта и инструмента.

ЛИЧНИ ПРЕДПАЗНИ СРЕДСТВА

Висококачествените лични предпазни средства, използвани от професионалните работници, намаляват опасността от нараняване на оператора. Следните защитни средства трябва да се използват при работа с продукта:

Предпазна каска

- трябва да е в съответствие с EN 397 и да има CE маркировка

Антифони

- трябва да е в съответствие с EN 352-1 и да има CE маркировка

Предпазни средства за очите и лицето

- трябва да имат CE маркировка и да са в съответствие с EN 166 (за защитни очила) или с EN 1731 (за мрежести визьори)

Ръкавици

- трябва да е в съответствие с EN 381-7 и да има CE маркировка

Обувки

- трябва да е в съответствие с EN 20345 и да има CE маркировка

ДЕЙНОСТ – КАСТРЕНЕ

- Проучете състоянието на дървото и клоните, преди да започнете работа. Ако има следи от увреждане или загиване, не се опитвайте да режете сами. Увредените и изгнили клони са изключително нестабилни. Потърсете услугите на професионален лесовъд.
- Никога не стойте под клона, който ще кастрите.
- Окастрените клони не винаги имат правилна траектория на падане. Те лесно се залепят към други шумки и листа, след което променят посоката си на движение. По време на кастрене трябва да осигурите безопасна зона, като нейната дължина трябва да е поне два пъти по-голяма от дължината на клона, който ще режете. Ако това не е възможно, потърсете услугите на професионален лесовъд.
- Уверете се, че падащият клон няма да представлява опасност за вас, за странични наблюдатели и за намиращото се наоколо имущество, включително комунални кабели.
- Никога не работете с инструмента под ъгъл над 60° между удължаващия прът и земната повърхност.
- Никога не работете с ножицата за жив плет, когато режещите механизми са на разстояние по-близо от 10 метра до намиращи се отгоре електрически кабели.
- Не насилвайте продукта, позволете на веригата сама да свърши работата с подходящата скорост.
- Не опитвайте да режете клона прекалено близо до стеблото на дървото. Оставете около 15 см разстояние между разреза и ствола на дървото.
- Поставете режещия трион върху клона, който ще кастрите, след което внимателно натиснете триона напред, така че оребреният буфер също да влезе в контакт с клона. Това ще подобри стабилността и ефективността на рязане, като ще доведе до по-изчистени и плавни разрези.
- Тънките клони с малък диаметър не са тежки и могат да бъдат отрязвани отведнъж с долната част на режещия трион.
- При рязане на по-тежки клони с по-голям диаметър съществува опасност клонът да се счупи или разцепи; затова такива клони трябва първо да бъдат прорязвани от долната им страна с горната част на верижния трион. Направете този разрез на разстояние от около една трета от дължината на клона. След това направете втори разрез от горната страна на клона, като използвате долната част на режещия трион, така че този разрез да се съедини с първия.
- Режете големите клони на по-малки парчета, а не отведнъж.
- Никога не подновявайте предишно направен разрез, поставяйки в него веригата и шината. Винаги започвайте нов разрез. Това ще намали опасността от възникване на откатни сили и вероятността за наранявания.

EN
FR
DE
ES
IT
NL
PT
DA
SV
FI
NO
RU
PL
CS
HU
RO
LV
LT
ET
HR
SL
SK
BG
UK



ТРАНСПОРТИРАНЕ И СЪХРАНЕНИЕ

ЗА МОНТАЖ С БЕНЗИНОВА ЗАДВИЖВАЩА ГЛАВА

- Спрете продукта и го изчакайте да се охлади, преди да го транспортирате или приберете за съхранение.
- Почистете продукта от всички чужди частици.
- Когато прибирате уреда за съхранение за по-продължителен период от време (над един месец), не забравяйте да смажете леко веригата, за да предотвратите образуването на ръжда. Производителят препоръчва използването на верижно смазочно масло и шина на Ryobi, които можете да намерите във вашия оторизиран сервизен център на Ryobi.
- Съхранявайте и транспортирайте верижния трион само с монтиран предпазител на острието.
- Изсипете останалото в резервоара гориво в съд, одобрен за съхранение на бензин. Не забравяйте да поставите обратно и да затегнете капачката за горивото.
- Ако има такава, източете верижно масло от резервоара в съд, одобрен за съхраняване на масло. Не забравяйте да поставите обратно капачката за маслото правилно.
- Пуснете двигателя да работи, докато спре. Така ще се премахне цялото гориво, което може да се втвърди и да запуши горивната система.
- Съхранявайте я на хладно, сухо и добре проветрявано място, което е недостъпно за деца. Не го оставяйте в близост до корозивни материали като градински химикали или соли за размразяване.
- Не съхранявайте на открито.
- Когато транспортирате продукта, го обезопасете така, че да не може да се движи или да падне, защото това може да доведе до евентуални наранявания на хора или повреди по продукта.
- Никога не носете или транспортирайте продукта, докато работи.
- Проверете какви са националните и местните разпоредби за съхранение и работа с горива.

КРАТКОСРОЧНО СЪХРАНЕНИЕ

- Спрете машината и я оставете да се охлади, преди да я съхранявате или транспортирате.
- Почистете продукта от всички чужди частици.
- Съхранявайте и транспортирайте уреда само с монтиран предпазител на острието.
- Съхранявайте я на хладно, сухо и добре проветрявано място, което е недостъпно за деца.
- Не го оставяйте в близост до корозивни материали като градински химикали или соли за размразяване.
- Не съхранявайте на открито.

ЗА МОНТАЖ С ЕЛЕКТРИЧЕСКА ЗАДВИЖВАЩА ГЛАВА

- Спрете уреда, изключете го от захранването и приберете кабела. Изчакайте двигателя да се охлади.

- Почистете продукта от всички чужди частици. Съхранявайте я на хладно, сухо и добре проветрявано място, което е недостъпно за деца. Не го оставяйте в близост до корозивни материали като градински химикали или соли за размразяване. Не съхранявайте на открито.
- Когато прибирате уреда за съхранение за по-продължителен период от време (над един месец), не забравяйте да смажете леко веригата, за да предотвратите образуването на ръжда. Производителят препоръчва използването на верижно смазочно масло и шина на Ryobi, които можете да намерите във вашия оторизиран сервизен център на Ryobi.
- Съхранявайте и транспортирайте верижния трион само с монтиран предпазител на острието.
- При транспортиране закрепете здраво машината, за да елиминирате вероятността от придвижване или падане и да предотвратите физическите наранявания на лица или повреди по машината.

ПОДДРЪЖКА

⚠ ПРЕДУПРЕЖДЕНИЕ

Използвайте само оригинални резервни части, аксесоари и приставки от производителя. В противен случай може да се влоши работата на инструмента или да получите тежки контузии, а гаранцията ви ще стане невалидна.

⚠ ПРЕДУПРЕЖДЕНИЕ

Сервизното обслужване изисква изключително внимание и специфични познания и следва да бъде извършвано само от квалифициран техник. За сервизно обслужване и поправка препоръчваме да занесете продукта до най-близкия упълномо щен се рвизен цен тър. При ремонт използвайте само идентични резервни части.

⚠ ПРЕДУПРЕЖДЕНИЕ

Веригата е много остра. За да предотвратите физически наранявания, бъдете особено внимателни, когато почиствате, поставяте или сваляте предпазителя на веригата, и винаги носете предпазни ръкавици, когато извършвате дейности по поддръжка на веригата.

⚠ ПРЕДУПРЕЖДЕНИЕ

Неправилната поддръжка на веригата увеличава вероятността от откат. Ако не подмените или не поправите повредената верига, се излагате на риск от тежки телесни повреди.

- Спрете уреда и/или изключете кабелите му от захранването, след което проверете дали всички движещи се части са спрели напълно, преди да извършвате каквито и да е дейности по почистване

или поддръжка.

- Можете да правите настройки и поправки, описани в това ръководство на потребителя. За други поправки се свържете с агент на упълномощения сервиз.
- Следвайте инструкциите за смазване на веригата, както и за проверяване и регулиране на нейната обтегнатост.
- След всяко използване почиствайте корпуса и дръжките на уреда с мека и суха кърпа.
- Периодично проверявайте дали всички гайки, болтове и винтове са правилно затегнати, за да сте сигурни, че продуктът е в изправност. Всяка повредена част трябва да бъде поправена или заменена от упълномощен сервизен център.

График за поддръжка

Ежедневна проверка	
Верижно масло	Преди всяка употреба
Обтягане на веригата	Редовно и преди всяка употреба
Острота на веригата	Преди всяка употреба, визуална проверка
За повредени части	Преди всяка употреба
За разхлабени връзки	Преди всяка употреба
Горивна смес или гориво и масло (само за бензинови задвижващи глави)	Преди всяка употреба
Зацепване на съединителя (само за бензинови задвижващи глави) (без движение на веригата на празен ход)	Преди всяка употреба
Захранващ кабел за повреда (само за електрически задвижващи глави)	Преди всяка употреба

НЕПРЕДВИДЕНИ РИСКОВЕ.

Дори когато продуктът се използва по предназначение, е невъзможно напълно да се ограничи влиянието на определени рискови фактори. Рисковете, описани по-долу, може да възникнат по време на употреба и операторът трябва да внимава за избягването на следното:

- Нараняване, причинено от вибрация. Винаги използвайте подходящия инструмент за съответната дейност и предназначения за целта ръкохватки, като ограничавате времето на работа и излагането на рискове.
- Излагането на шум може да доведе до увреждане на слуха. Носете антифони и ограничете излагането.
- Контакт с оголени зъбци на веригата на триона (опасност от порязване).

- Непредвидено, внезапно движение или откат на шината (опасност от порязване).
- Части, отхвъркнали от веригата на триона (опасност от порязване/убождане).
- Отхвъркнали отломки от материала (дървени стружки, трески).
- Вдишване на стърготини и други частици.
- Контакт на кожата със смазочната течност/маслото.

ΜΕΙΩΣΗ ΚΙΝΔΥΝΟΥ

Известно е, че вибрациите, произвеждани от ръчни инструменти може да предизвикат у някои индивиди заболяване, наречено Синдром на Рейнолд (Raynaud's Syndrome). Симптомите може да включват изтръпване, схващане и избледняване на пръстите, обикновено се забелязват при излагане на студ. Смята се, че наследствените фактори, излагането на студ и влага, диетите, пушенето и някои работни навици допринасят за развитието на тези симптоми. Могат да се вземат някои мерки, които могат да се предприемат от оператора, за да се намалят ефектите от вибрациите:

- Поддържайте телесната температура в студено време. Когато боравите с инструмента, носете ръкавици, за да поддържате ръцете и китките си топли. Според изследвания главният фактор, допринасящ за развитието на Raynaud's Syndrome, е студеното време.
- Правете упражнения за активизиране на кръвообращението след всеки работен цикъл.
- Редовно излизайте в почивка. Ограничете излагането на вибрации на ден.

При поява на някой от симптомите на това заболяване, незабавно прекратете употребата на инструмента и посетете лекар.

⚠ ПРЕДУПРЕЖДЕНИЕ

Продължителното използване на инструмента може да доведе до наранявания или влошаване. При използване на инструмента за продължителни периоди от време правете чести почивки.

ОПОЗНАЙТЕ ВАШИЯ ПРОДУКТ

Вж. страница 175.

1. Режеща верига
2. Шина
3. Шестостенната гайка
4. Капак на зъбното колело
5. Калъф
6. Капачка
7. Къса стоманена тръба
8. Закачалка на приставката

СИМВОЛИ НА ПРОДУКТА



Предупреждение относно безопасността



Прочетете и осмислете всички указания, преди да започнете работа с продукта; спазвайте всички предупреждения и инструкции за безопасност.



Носете защитни средства за очите, слуха и главата.



Носете непързалящи се защитни обувки, когато използвате продукта.



Носете здрави ръкавици, пригодени против плъзгане.



Не излагайте на дъжд и на влажни условия.



Опасност от електричество, не използвайте продукта на по-малко от 10 метра от наземни електрически кабели.



Внимавайте за изхвърлени или летящи обекти. Не допускате странични наблюдатели, особено деца и домашни животни, на по-малко от 15 м от работната зона.



Преди да използвате инструмента, винаги сваляйте ножницата.



Верижно масло



Посока на движение на веригата



Тази машина е в съответствие с нормативната уредба на държавата от ЕС, където е била закупена.



EurAsian знак за съответствие



Електрическите уреди не трябва да се изхвърлят заедно с битовите отпадъци. Рециклирайте, където има възможност. Обърнете се за съвет по рециклирането към местните власти или разпространителите.



Украински знак за съответствие

ПРЕДУПРЕЖДЕНИЕ

Указва потенциално опасна ситуация, която ако не бъде избегната, може да доведе до сериозни наранявания или смърт.

ВНИМАНИЕ

Указва потенциално опасна ситуация, която ако не бъде избегната, може да доведе до дребни или средни наранявания.

ВНИМАНИЕ

Без предупредителен символ за безопасност

Указва ситуация, която може да доведе до имуществени щети.

Следните сигнални думи и значенията им са предназначени да обяснят нивата на опасност, свързани с този продукт.

ОПАСНОСТ

Указва неминуемо опасна ситуация, която ако не бъде избегната, ще доведе до сериозни наранявания или смърт.

Безпеці, продуктивності і надійності був надан вищий пріоритет в дизайні вашою бензопилою.

ПЕРЕДБАЧУВАНОМУ ВИКОРИСТАННІ

Ця програма для кущорізів, призначене для використання з усіма бензиновим приводом очолює Ryobi / Homelite з 30cc-менш або з електричним приводом головки RPH1200, RLT1238I, RBC1226I.

Тример/кущоріз призначений для використання тільки дорослими, які повністю прочитали та зрозуміли інструкції та попередження у цьому керівництві і можуть вважатися відповідальними за власні дії. Цей продукт призначений тільки для використання на відкритому повітрі. Задля безпеки керування інструментом має здійснюватися обома руками.

Продукт призначений для різання та обрізки маленьких кінцівок і гілок, діаметр яких менше або дорівнює довжині штанги, і розташовані високо на дереві, а оператор підтримує стабільний опір на землі. Продукт призначений для бути продовжений до максимальною довжиною 2,6 м. Не перевищуйте цю робочу довжину.

Цей виріб не повинен використовуватися при сходженні на драбину або як звичайна ланцюгова пила для обрізання сучків та гілок на рівні землі.

⚠ Попередження

При використанні продукту, потрібно дотримуватися правил безпеки. Для вашої власної безпеки та безпеки перехожих, будь ласка, прочитайте ці інструкції перед експлуатацією виробу. Будь ласка, збережіть інструкції з безпеки для подальшого використання.

⚠ Попередження

Продукт не призначений для використання з силовими головками бензинових сприяння байкерських ручками.

ЗАГАЛЬНІ ЗАХОДИ БЕЗПЕКИ

ЦЕЙ ПРОДУКТ МОЖЕ БУТИ ВИКОРИСТАНИЙ В БЕНЗИН-ПРИВІДНИХ ГОЛОВКАХ ВЕЛОСИПЕДА РУЧКА-МИ.

- Для забезпечення безпечної роботи, перед використанням виробу прочитайте та зрозумійте всі інструкції. Дотримуйтесь всіх інструкцій з техніки безпеки. Невиконання інструкцій по техніці безпеки, описаних нижче, може призвести до серйозної травми.
- Ніколи не запускайте двигун усередині закритих, або погано провітрюваних приміщень; вдихання вихлопних газів може вбити.
- Не торкайтеся області навколо вихлопних газів, глушника або блоку двигуна; ці частини перегріваються під час роботи.
- Завжди виключайте двигун перед будь-яким регулюванням. Зачекайте, поки апарат остигне,

перш ніж робити її вид, настройки і т.д.

- Не палити при змішуванні палива або заповненні паливного баку.
- Змішайте і зберігайте паливо у затвердженому контейнері для палива.
- Змішуйте паливо на відкритому повітрі, де немає жодних іскор або полум'я. Протріть будь-який витік палива. Відійдіть на 9 м від сіця заправки, перед запуском двигуна.
- Зупиніть двигун і дайте йому охолонути перед заправкою або зберіганням пристрою.
- Дозвольте двигуну охолонути; випорожніть паливний бак і нерухомо закріпіть пристрій перед транспортуванням в транспортному засобі.

⚠ Попередження

При дроселюванні курок розслаблений і двигун працює на холостому ходу, ріжучого обладнання або ланцюг не повинно рухатися. Якщо це продовжує рухатися, є ризик серйозної травми оператора. Не використовуйте продукт. Поверніть його в коригуванні фахівцями уповноваженого сервісного центру.

УСТАНОВКА ГОЛОВКИ ЕЛЕКТРОПРИВОДУ

⚠ Попередження

Прочитайте всі правила безпеки та інструкції. Недотримання попереджень та інструкцій може призвести до ураження електричним струмом, пожежі та / або серйозної травми.

Тримайте всі попередження та інструкції для подальшого використання.

Термін "електроінструмент" в попередженнях відноситься до всього інструменту - живлення від мережі (кабельних) або батареї (бездротовий).

БЕЗПЕКА РОБОЧОЇ ЗОНИ

- Тримайте робоче місце в чистоті і добре освітленим. Безлад на робочому місці або темно в робочій є необхідною умовою для аварій.
- Не використовуйте продукт у вибухонебезпечних атмосферах, наприклад, у присутності легко займистих рідин, газів або пилу. Під час роботи косарки виникають іскри, що можуть призвести до займання пилу або парів.
- Тримайте дітей та сторонніх осіб під час обробки електричного інструменту. Якщо вашу увагу відволікати, він може втратити контроль над приладом.

ЕЛЕКТРОБЕЗПЕКА

- Вилка електроінструменту повинна бути сумісна з розеткою. Ніяким чином не змінюйте продукт. При роботі з електроінструментом обнулення не використовуйте перехідники вилки. Використання оригінальних вилок і розеток знижує ризик ураження електричним струмом.



- Уникайте контакту з заземленими поверхнями, такими як труби, радіатори, плити та холодильники. Коли ваше тіло заземлене, ризик ураження електричним струмом вище.
- Не піддавайте впливу дощу або вологих умов. Проникнення води в електроінструмент збільшує ризик ураження електричним струмом.
- Чи не змусить шнур живлення. Ніколи не носіть не відключайте або тягнути кабель електроінструменту. Тримайте шнур подалі від джерел тепла, масла, гострих кромок або рухомих частин. Пошкоджені або заплутані шнури збільшують ризик ураження електричним струмом.
- При роботі з електроінструментом на вулиці, використовуйте тільки тих подовжувачів, призначених для використання на відкритому повітрі. Використання кабелю, придатного для використання на відкритому повітрі знижує ризик електричного розряду.
- Якщо ви не можете уникнути використання електроінструменту у вологому місці, використовуйте RCD (перемикач з аварійної зупинки). Використовується для RCD знижує ризик ураження електричним струмом.

ЛИЧНА БЕЗОПАСНОСТ

- Будьте уважні, дивіться, що ви робите, і використовуйте здоровий глузд при експлуатації виробу. Не працюйте з виробом, коли ви втомлені або знаходитесь під дією наркотиків, алкоголю або медикаментів. Миттєві випадково при зверненні електроприладобудування є достатнім для отримання серйозних травм.
- Використовуйте засоби індивідуального захисту. Завжди надайте захисні окуляри. Захисне устаткування, наприклад, респіратор, помістіть спецобуви протиковзких, каска або навушники, які використовуються у відповідних умовах, зменшать ризик отримання фізичної травми.
- Запобігання небажаного запуску. Перед підйомом або переносити інструмент, перш ніж підключити його до електромережі і / або батареї, завжди переконайтеся, що перемикач знаходиться в положенні OFF (ВИКЛ). Носіння інструмент, тримаючи палець на вимикачі або включення його в електрику, а перемикач включений, що є необхідною умовою для аварій.
- Видаліть всі гайкові ключі або ключі французький настройки Перед включенням інструменту. Забули на обертовому елементі Допомога інструментом може привести до фізичних травм.
- Чи не розтягуйте працювати на важкодоступних місцях. Зберігайте правильну стійку і баланс весь час. Це дозволяє краще контролювати електроінструментом в несподіваних ситуаціях.
- Футболка підходить. Не носіть просторий одяг або прикраси. Тримайте волосся, одяг і рукавички на безпечній відстані від рухомих частин. Вільний одяг, прикраси або довге волосся

можуть бути захоплені рухомими частинами.

- Якщо пристрої оснащені пристроєм для витягування і збору пилу, переконайтеся, що він підключений і функціонує належним чином. Використання пристроїв для збору пилу дозволить знизити ризики, пов'язані з роботою в умовах підвищеної запиленості.

ВИКОРИСТАННЯ І ОБСЛУГОВУВАННЯ ЕЛЕКТРИЧНОГО ІНСТРУМЕНТУ

- Чи не змусити продукт. Використовуйте електроінструмент, у відповідності зі своїми цілями. Правильно підібраний електроінструмент дозволить виконати роботу краще і безпечніше в зазначений діапазон виробник навантаження.
- Не використовуйте електроінструмент, якщо "ВИМК" не зупиняє двигун. Електроінструмент, який не може управлятися за допомогою перемикача, небезпечний і повинен бути відремонтований.
- Вимкніть від джерела живлення і / або акумулятор з електроінструменту перед проведенням будь-яких регулювань, заміною приладдя і перед зберіганням електроінструменту. Такий запобіжний засіб безпеки знизить ризик випадкового запуску виробу.
- Зберігати вакантних електроінструменти в недоступному для дітей місці і не дозволяйте особам, що не знайомі з інструментом або цими інструкціями щоб впоратися з цим. Коли ви перебуваєте в руках недосвідчених користувачів, електроінструмент може бути надзвичайно небезпечним.
- Зберігати електроінструмент в справному стані. Перевірте несправностей або клин в рухомих частин, зламаних деталей або інших обставин, які можуть вплинути на роботу електроінструменту. Перед застосуванням електроінструменту, переконайтеся, що збиток бути видалені. Багато нещасних випадків є наслідком поганого догляду за електроінструментом.
- Тримайте ріжучі інструменти були гострими і чистими. Інструменти, які належним чином подбати і добре заточені ріжучі елементи управляються легше застрягла і ймовірність менше.
- Використовуйте електроінструменти, приналежності й різання та інші. частин у відповідності з наступними рекомендаціями, беручи до уваги умови праці та роботу, яку вони будуть виконувати. Використання інших, ніж ті, які призначені електроінструменту збільшує ризик виникнення аварій.

ОБСЛУГОВУВАННЯ

- Ремонт електрообладнання повинні виконуватися тільки кваліфікованими фахівцями і тільки з використанням оригінальних запасних частин. Таким чином забезпечити підтримку безпеки при роботі з електроприладами.



ДОДАТКОВІ ЗАГАЛЬНІ ПОПЕРЕДЖЕННЯ ЩОДО БЕЗПЕКИ

- У деяких регіонах існують правила, що обмежують використання продукту для деяких операцій. Перевірте з вашим місцевим органом влади для консультацій
- Ніколи не дозволяйте дітям або людям, не знайомим з цими інструкціями, використовувати продукт. Місцеве законодавство може обмежувати вік оператора.
- Перед кожним використанням переконайтеся, що всі елементи керування і безпеки функціонують правильно. Не використовуйте машину, якщо вимикач "ВИМК" не зупиняє машину.
- Носіть повний захист очей і слуху, сильні міцні рукавички, а також захист голови в процесі експлуатації продукту; використовуйте маску, якщо операція пильна.
- Не носіть вільний одяг, короткі штани або прикраси будь-якого роду.
- Зафіксуйте довге волосся вище рівня плеча, щоб запобігти заплутуванню в будь-яких рухомих частинах.
- Використання захисту органів слуху знижує здатність чути попередження (крики або сигнали тривоги). Оператор повинен звернути особливу увагу на те, що відбувається в робочій зоні.
- Операції з аналогічними інструментами неподалік збільшують ризик травми слуху і можливість потрапляння інших осіб у робочу зону.
- Остерігайтеся кинутих, летючих або падаючих предметів; тримайте всіх перехожих, дітей і тварин, принаймні 15 м від робочої зони. Якщо будь-хто входить у зону роботи машини, зупиніть її.
- Не використовуйте при поганому освітленні. Оператор потрібне чіткий огляд робочої області, щоб визначити потенційні небезпеки.
- Тримайте міцну опору і рівновагу. Не переливайте паливо. Перенавантаження може призвести до втрати рівноваги і може збільшити ризик віддачі.
- Не використовуйте цю машину, якщо ви втомилися, хворі, або під впливом алкоголю, наркотиків або ліків.
- Тримайте всі частини вашого тіла подалі від рухомих частин.
- Огляньте виріб перед кожним використанням. Перевірте правильність роботи всіх елементів керування. Переконайтеся, що всі захисні огорожі, дефлектори і ручки правильно і надійно закріплені. Замініть всі пошкоджені деталі перед використанням.
- Не змінюйте машину будь-яким чином та не використовуйте деталі та приладдя, не рекомендовані виробником.
- Не помиліться ненавмисно через кращого розуміння продукту (обумовлено його частого використання). Один необережний дію може призвести до серйозних травм протягом всього секунду.

- Тримайте ручки та поверхні захвату сухими, чистими та без слідів мастила та змазки. Слизькі ручки та поверхні захвату не забезпечують безпечне маніпулювання та керування інструментом у неочікуваних ситуаціях.

⚠ Попередження

Якщо продукт впаде, постраждав від важкого впливу або починає вібрувати, негайно зупиніть обладнання та перевірте на наявність пошкоджень або визначте причину вібрації. Будь-яке пошкодження має бути правильно відремонтовано або замінено в авторизованому сервісному центрі.

УСТАНОВКА ГОЛОВКИ ЕЛЕКТРОПРИВОДУ

- Електроживлення має подаватися через пристрій захисного повітрі (ПЗВ) зі струмом вимикання не більше 30 мА.
- Якщо вам потрібно використовувати подовжувач переконайтеся, що він підходить для використання на відкритому повітрі і має поточний рейтинг потужності достатньо для забезпечення вашого продукту. Перевірте подовжувач перед кожним використанням на ушкодження. Завжди розкрутити подовжувач при використанні, бо закручені шнурки можуть перегрітися.
- Якщо кабель живлення пошкоджено, його необхідно замінити перед експлуатацією.

ТЕХНІКА БЕЗПЕКИ ПРИ РОБОТІ З СЕКАТОРОМ

- Не використовувати продукт, якщо є ризик грози або блискавки. Якщо кабель живлення пошкоджено, його необхідно замінити перед експлуатацією.
- Переконайтеся, що всі кожухи, ручки правильно встановлені і знаходяться в доброму стані.
- Не починайте роботу з виробом, доки не буде забезпечена чиста робоча зона, безпечна точка опори та запланований шлях відходу від падаючих гілок та сучків.
- Остерігайтеся викиду мастильного туману і тирси. Носіть маску або респіратор, якщо потрібно.
- Завжди тримайте виріб обома руками при роботі. Використовуйте одну руку, щоб міцно тримати передню руку зчеплення. Під час експлуатації іншою рукою тримайте пристрій за задню рукоятку.
- Тримайте інструмент за ізольовані поверхні для тримання, тільки тому, що ланцюг пили може контактувати з прихованою проводкою. Ланцюг пили, що контактує з проводом "під напругою" може зробити металеві частини електронструменту "під напругою" і може вдарити оператора.
- Не модифікувати виріб у будь-яким чином або невикористовуйте його для живлення будь-яких владень або пристрою, не рекомендовані виробником для вашого продукту.
- Цей виріб постачається з ремнем. Ним треба користуватися при роботі з виробом. Він допоможе вам контролювати падіння виробу після завершення різання. Це допоможе вам підтримувати вагу виробу



під час використання і рухатись між позиціями обрізки.

- Ідентифікуйте механізм швидкого вивільнення та попрактикуйтеся у його використанні, перш ніж почати використовувати продукт. Його правильне використання може запобігти серйозним травмам в разі виникнення надзвичайної ситуації. Ніколи не носіть додатковий одяг з ременів або інакшим чином не обмежуйте доступ до механізму швидкого вивільнення.
- Перед запуском інструменту переконайтеся, що ланцюг пили не торкнеться будь-якого об'єкту.
- Неправильно натягнутий ланцюг може зіскочити з направляючої планки і може призвести до серйозних травм або смерті. Перевіряйте його перед кожним використанням та часто, особливо новий ланцюг.
- Щоб знизити ризик травмування рухомими частинами, завжди зупиняйте пристрій, і від'єднуйте його від джерела живлення (за наявності). Переконайтеся, що всі рухомі частини зупинилися, перед тим як:
 - очищення або розчищення засмічення
 - залишенням продукту без нагляду
 - перед встановленням або зняттям приладдя
 - перевірка, технічне обслуговування або робота з виробом.
- Віддача може виникнути коли ніс або кінчик направляючої шини доторкнеться до об'єкту, або коли дерево змикається та зажимає пильний ланцюг. Контакт з кінчиком в деяких випадках може викликати раптову зворотну реакцію, штовхнувши направляючу штангу вгору і назад до оператора. Затиснення пильяльного ланцюга у верхній частині направляючої шини може підштовхнути направляючу шину швидко у напрямку оператора. Будь-яка з цих реакцій може призвести до втрати контролю над виробом, що може призвести до серйозної травми. Не покладайтеся виключно на запобіжні механізми, вбудовані у вашому пристрої. При роботі з кусторезов повинні приймати безліч різних захисних заходів по скороченню без пригод. Зворотний удар є наслідком неправильного використання електроінструменту. Це може бути припинено шляхом прийняття відповідних запобіжних заходів, які описані нижче:
 - Ви можете обмежити і видалити елемент несподіванки, зрозуміти принцип віддачі. Елемент несподіванки є основним фактором в результаті нещасних випадків.
 - Переконайтеся, що зона, у якій відбувається різання, вільна від перешкод. Під час роботи з виробом не дозволяйте передньому краю напрямної шини контактувати з гілками, сучками або іншими перешкодами.
 - Утримуйте інструмент жорстким захватом обома руками та розміщуйте своє тіло та руки так, щоб забезпечити протидію силам віддачі. Сила віддачі може керуватися за допомогою оператора, якщо виконати відповідні запобіжні заходи. Ніколи управляти бензоножиці.
 - Чи не розтягуйте працювати на важкодоступних

місцях. Це допомагає запобігти ненавмисному контакту наконечника і дозволяє краще контролювати секаторної у неочікуваних ситуаціях.

- Використовуйте тільки запасні шини та ланцюги зазначені виробником. Неправильні запасні штанги і ланцюги можуть привести до поломки ланцюга і / або віддачі.
- Заточення ланцюга безпечно є кваліфікованою задачею. Тому виробник настійно рекомендує замінити зношений або тупий ланцюг новим, доступним у вашому авторизованому сервісному центрі Ryobi. Номер запчастини доступний в таблиці специфікації продукту в керівництві.
- Не користуйтеся виробом, стоячи на драбині або нестійкій опорі. Під час різання завжди стійте обома ногами на твердому ґрунті, щоб не втратити рівновагу.
- Щоб захистити себе від електричного струму, не працюйте в межах 10 м від повітряних ліній електропередач.
- Видалити гілки частин. Не слід використовувати в небезпечних ситуаціях. Бережіться падаючих гілок та таких, які відскакують після падіння на землю.
- Будьте крайньо обережні при розрізанні малогабаритних глок і деревцев, бо стрункі матеріал може зловити пильяльного ланцюга, вдарити або до вас тягнути вас з рівноваги.
- При різанні кінцівок, що під напругою, будьте напоготові відпруження, щоб ви не будете вражен напругою деревних волокон при звільненні.
- Якщо продуктивність різання з часом погіршується, перевірте гостроту та чистоту зубів ланцюга. В разі необхідності замініть оригінальний ланцюг (та шину) згідно рекомендацій виробника.
- Якщо ланцюг та шина защемляються або застрягають у гілках на висоті, де до них важко дістатися, зверніться до спеціалістів по пилянню дерев за порадою щодо безпечного видалення ріжучих засобів.

⚠ Попередження

Переконайтеся, що всі муфти на додатковому держалі та інструменті надійно закріплені перед кожним використанням і через певні проміжки часу.

ЗАСОБИ ІНДИВІДУАЛЬНОГО ЗАХИСТУ

Хорошої якості, засоби індивідуального захисту, які використовуються професіоналами допоможуть знизити ризик отримання травми оператором. Наступні пункти повинні бути використані при роботі з продуктом:

Шолом безпеки

- повинні відповідати EN 397 і мати маркування CE

Захист органів слуху

- повинні відповідати EN 352-1 і мати маркування CE





Засоби захисту органів слуху

- Захист обличчя та очей повинні мати маркування CE і відповідають стандарту EN 166 (для захисних окулярів) або EN +1731 (для сітчастих козирків)

Рукавички

- повинні відповідати EN 381-7 і мати маркування CE

Взуття

- повинні відповідати EN 20345-1 і мати маркування CE

ДІЯЛЬНІСТЬ - ОБРІЗКА

- Перед початком роботи вивчіть стан дерева та гілок. Якщо є ознаки пошкодження, трухлявини або гниття, не намагайтеся різати самостійно. Пошкоджені або трухляві гілки дуже неміцні. Зверніться за послугами професіонала по догляду за деревами.
- Ніколи не стійте під гілкою, яку треба обрізати.
- Обрізані гілки не завжди падають прямо на землю. Вони легко захоплюються та відхиляються гілками. Забезпечте, щоб безпечна зона складала мінімум удвічі більше довжини гілки, яку треба різати, та підтримувалась під час різання. Якщо це неможливо, зверніться за послугами професіонала по догляду за деревами.
- Забезпечте, щоб падаючі гілки не складали загрози вам, спостерігачам або майну, включаючи кабелі електроживлення.
- Ніколи не працюйте з виробом, якщо штанга знаходиться під кутом більше 60° від горизонталі.
- Ніколи не працюйте з виробом, якщо ріжучі засоби знаходяться ближче 10 м від ліній електропередач.
- Не прикладайте до виробу зусиль, дайте ланцюгу працювати при власній швидкості.
- Не намагайтеся різати гілку дуже близько до стовбура дерева. Залишайте близько 15 см від стовбура до розрізу.
- Розмістіть пильну шину на гілці, яку треба обрізати, та обережно штовхніть пилу вперед, так щоб ребристий амортизатор також контактував з гілкою. Це додасть стабільності різання та забезпечить більш охайний розріз.
- Не важкі малі та тонкі гілки, можуть бути зрізані з одного разу за допомогою нижньої панелі пилки.
- При різанні важкої гілки з великим діаметром знаходиться відділення ризик перерви або сплати; Тому такі гілки повинні бути спочатку розрізані з нижньої сторони до верхньої частини ланцюгової пилки. Зробити цей розділ відстані приблизно однієї третини довжини гілки. Потім зробити другу розріз на верхній стороні відділення, використовуючи нижню частину ріжучої пилкою, так що цей розділ може бути з'єднаний з першим.
- Приймайте до уваги, що краще обрізати великі гілки у оброблювальних зонах, ніж дерево як єдине ціле.
- Ніколи не намагайтеся починати знову попередній

розріз, розмістивши в ньому ланцюг та шину. Завжди починайте з нового розрізу. Це знизить ризик віддачі та можливої травми.

ТРАНСПОРТУВАННЯ ТА ЗБЕРІГАННЯ

УСТАНОВКА БЕНЗИН ПРИВОДНИЙ ГОЛОВКИ

- Зупинка і почекайте, поки вона охолоне, перш ніж його транспортування або зберігання її.
- Очистіть всі сторонні матеріали з продукту.
- Коли виріб зберігається впродовж довгого часу (місяць або довше), переконайтеся, що ланцюг злегка змащений, щоб запобігти іржавінню. Виробник рекомендує використовувати мастильний матеріал для шини та ланцюга марки Ryobi, який є у наявності в авторизованому сервісному центрі компанії Ryobi.
- Перед зберіганням або транспортуванням виробу закрийте пильну шину піхвами.
- Злийте все паливо з бака в контейнер затверджений для бензину. Не забудьте правильно замінити і затягнути кришку паливної.
- Злийте все мастило штанги і ланцюга з бака в контейнер, затверджений для мастила. Не забудьте правильно встановити і затягнути кришку змащення ланцюга.
- Запустіть двигун, поки він не зупиниться. Це дозволить видалити всі паливно, які могли би стати застарілими і залишити гумки в паливній системі.
- Зберігайте його в сухому прохолодному і добре провітрюваному місці, недоступному для дітей. Зберігати подалі від агресивних агентів, таких як садові хімікати і солей проти обледеніння.
- Не зберігайте на відкритому повітрі.
- Для транспортування, забезпечіть машину від руху або падіння, щоб запобігти травми людей або пошкодження машини.
- Ніколи не носіть або транспортуйте пристрій, поки двигун працює.
- Дотримуйтесь всіх правил ISO та місцеві правила для безпечного зберігання та поводження з паливом.

КОРОТКОСТРОКОВЕ ЗБЕРІГАННЯ

- Зупиніть машину і дайте їй охолонути, перед зберіганням або транспортуванням.
- Очистіть всі сторонні матеріали з продукту.
- Накрийте лезо протектором леза, перш ніж зберігати пристрій, або під час транспортування.
- Зберігайте його в сухому прохолодному і добре провітрюваному місці, недоступному для дітей.
- Зберігати подалі від агресивних агентів, таких як садові хімікати і солей проти обледеніння.
- Не зберігайте на відкритому повітрі.

УСТАНОВКА ГОЛОВКИ ЕЛЕКТРОПРИВОДУ

- Зупинити машину, відключити його від електромережі і прибрати кабель. Дайте двигуну охолонути.



- Очистіть всі сторонні матеріали з продукту. Зберігайте його в сухому прохолодному і добре провітрюваному місці, недоступному для дітей. Зберігати подальше від агресивних агентів, таких як садові хімікати і солей проти обледеніння. Не зберігайте на відкритому повітрі.
- Коли виріб зберігається впродовж довгого часу (місяць або довше), переконайтеся, що ланцюг злегка змащений, щоб запобігти іржавінню. Виробник рекомендує використовувати мастильний матеріал для шини та ланцюга марки Ryobi, який є у наявності в авторизованому сервісному центрі компанії Ryobi.
- Перед зберіганням або транспортуванням виробу закрийте пильну шину піхвами.
- Для транспортування, забезпечіть машину від руху або падіння, щоб запобігти травми людей або пошкодження машини.

ПІДТРИМКА

⚠ Попередження

Використовуйте тільки оригінальні запасні частини, аксесуари та обладнання від виробника. Невиконання цієї вимоги може привести до можливої травми, поганої продуктивності та може призвести до втрати гарантії.

⚠ Попередження

Обслуговування вимагає крайньої обережності і знання і повинно бути виконане тільки кваліфікованим фахівцем. Для обслуговування, ми пропонуємо вам повернути продукт в найближчий авторизований сервісний центр для ремонту. Під час ремонту використовувати лише ідентичні запасні частини.

⚠ Попередження

Ланцюг пили дуже гострий. Щоб уникнути травм, будьте особливо уважні при чищенні, як вставити або виїняти запобіжник ланцюга, і завжди надягайте захисні рукавички при виконанні робіт з технічного обслуговування на ланцюгу.

⚠ Попередження

Неправильна заточка ланцюга збільшує потенціал віддачі. Відмова замінити або відремонтувати пошкоджений ланцюг може призвести до серйозних травм.

- Зупиніть машину і / або від'єднання кабелів потужністю, а потім перевірити, що всі рухомі частини повністю зупинилися перед виконанням будь-якої роботи з очистки або обслуговування діяльності.
- Ви можете зробити регулювання та ремонт, описані в цьому посібнику користувача. Для інших ремонтних робіт, зверніться до авторизованого

сервісного агента.

- Дотримуйтесь інструкцій по змащенню і перевірці натягу ланцюга і коректуванню.
- Після кожного використання, очистіть основну частину і ручки продукту м'якою сухою тканиною.
- Перевірте всі гайки, болти і гвинти після короткого проміжка часу на правильну герметичність, щоб забезпечити продукт у безпечному робочому стані. Будь-яка пошкоджена деталь, має бути правильно відремонтована або замінена в авторизованому сервісному центрі.

Графік робіт по обслуговуванню

Щоденна перевірка	
Масило для шини	Перед кожним використанням
Натяг ланцюга	Перед кожним використанням і часто
Гострість ланцюга	Перед кожним використанням, візуальна перевірка
Для пошкоджених деталей	Перед кожним використанням
Для послабленого кріплення	Перед кожним використанням
Суміш пального або пального та мастила (тільки для бензинової силової головки)	Перед кожним використанням
Робота муфти (тільки для бензинової силової головки) (ланцюг не рухається на холостому ходу)	Перед кожним використанням
Кабель живлення на пошкодження (тільки для електричної силової головки)	Перед кожним використанням

НЕПЕРЕДБАЧЕНІ РИЗИКИ

Навіть коли продукт використовується за призначенням, неможливо повністю обмежити вплив деяких факторів ризику. Наступні небезпеки можуть виникати при використанні продукту та оператору слід звернути особливу увагу, щоб уникнути наступного:

- Травми, викликані вібрацією. Завжди використовуйте правильний інструмент для роботи, використовуйте призначені ручки і обмежіть час роботи і вплив.
- Вплив шуму може погіршитися слух. Використовуйте засоби захисту слуху і обмежити вплив.
- Контакт з відкритими зубцями ланцюга пилки (небезпека при розпилюванні).
- Непередбачений, різкий рух або віддача направляючої штанги (небезпека при розпилюванні).
- Частини викидаються з ланцюга пили (небезпека

пиляння / введення).

- Викиньте шматки заготовки (тріску, щепінь).
- Вдихання тирси і частинок.
- Контакт шкіри з мастилом / маслом.

ЗНИЖЕННЯ РИЗИКУ

Відомі випадки, коли вібрація від ручних інструментів сприяє появі так званого синдрому Рейно. Симптоми можуть включати оніміння, судоми і вицвітання пальців, як правило, помітили при впливі холоду. Вважається, що спадкові чинники, вплив холоду і сирості, харчування, куріння і деякі звички роботи внести свій вклад в розвиток цих симптомів. Може прийняти деякі заходи, які можуть бути прийняті оператором, щоб зменшити вплив вібрації:

- Підтримувати температуру тіла в холодну погоду. Коли ручка знос інструменту рукавички, щоб тримати руки і зап'ястя тепло. Згідно з дослідженнями основним чинником, що сприяє розвитку синдрому Рейно, це холодна погода.
- Вправа для активації кровообігу після кожного прогону.
- Регулярно йдуть на перерву. Обмежте вплив вібрації в день.

Наступ кожного з симптомів цього захворювання, негайно припинити використання інструменту і зверніться до лікаря.

⚠ Попередження

Тривале використання інструменту може стати причиною травми або погіршення. При використанні приладу протягом тривалих періодів часу, робити часті перерви.

ЗНАЙ СВІЙ ПРОДУКТ

Дивіться сторінку 175.

1. Ланцюг
2. Штанга
3. шестигранна гайка
4. Кришка ланцюгового колеса
5. Ножни
6. Кришку
7. Коротка сталева трубка
8. додаток вішалка

СИМВОЛИ НА ПРОДУКТІ



Попередження про безпеку



Читайте і зрозумійте всі інструкції перед експлуатацією виробу, дотримуйтесь всіх вказівок і попереджень з техніки безпеки.



Носіть захист очей, слуху, і голови.



Носіть нековзне захисне взуття при використанні продукту.



Носіть неслизькі, надміцні рукавички.



Не надавайте впливу дощу або вологих умов.



Небезпека ураження електричним струмом, принаймні, на відстані 10 м від повітряних ліній електричного живлення



Остерігайтеся кинутих або літаючих об'єктів. Тримайте всіх перехожих, особливо дітей і домашніх тварин, принаймні 15 м від робочої зони.



Перед використанням пристрою завжди знімайте захисний чохол.



Масило штанги та ланцюга



Напрямок руху ланцюга



Відповідає всім нормативним стандартам в країнах ЄС, де виріб було придбано.



Євразійська знак відповідності.



Електро-техніка не слід викидати разом з побутовими відходами. Кошки, де це можливо. Перевірте з вашим місцевим органом влади для консультації



Український знак відповідності

Наступні сигнальні слова і змісти призначені для пояснення рівнів ризику, пов'язаних з продуктом.

⚠ НЕБЕЗПЕКА

Вказує на неминуче небезпечну ситуацію, яка, якщо її не уникнути, може призвести до смерті або серйозних травм.

⚠ Попередження

Вказує на потенційно небезпечну ситуацію, яка, якщо її не уникнути, може призвести до смерті або серйозних травм.

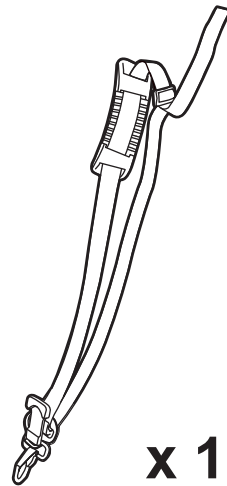
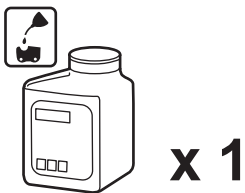
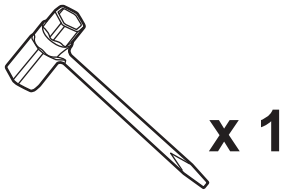
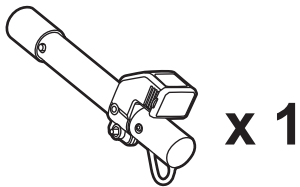
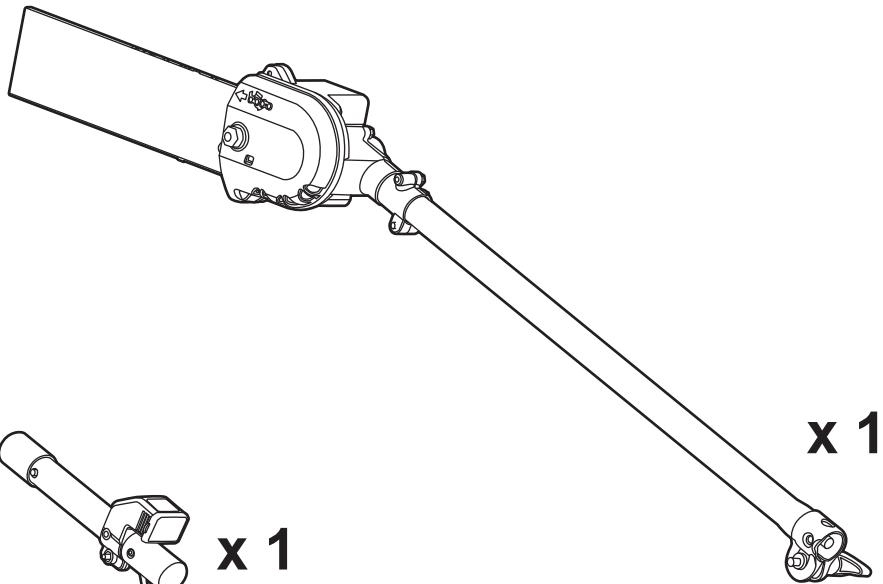
⚠ ПОПЕРЕДЖЕННЯ

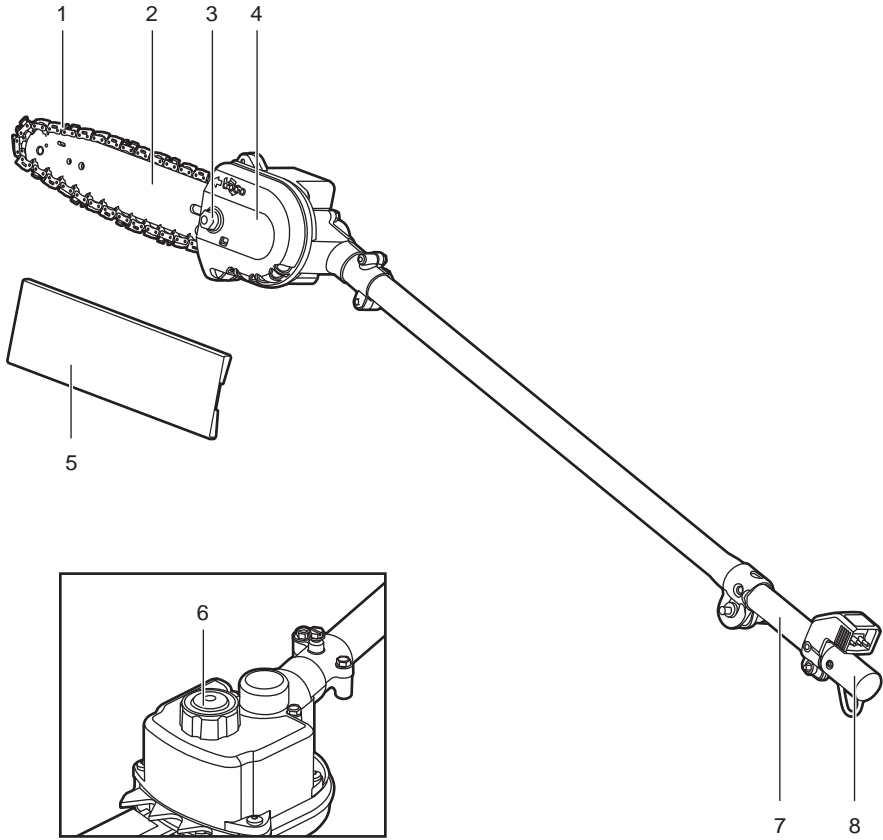
Вказує на потенційно небезпечну ситуацію, яка, якщо її не уникнути, може призвести до легкої травми.

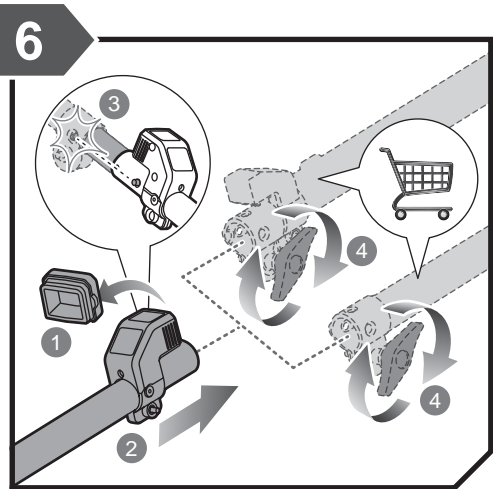
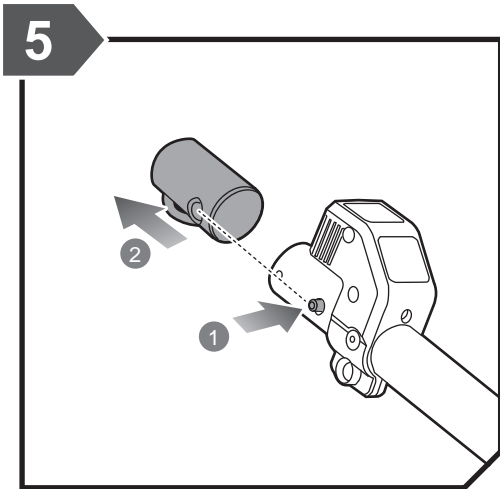
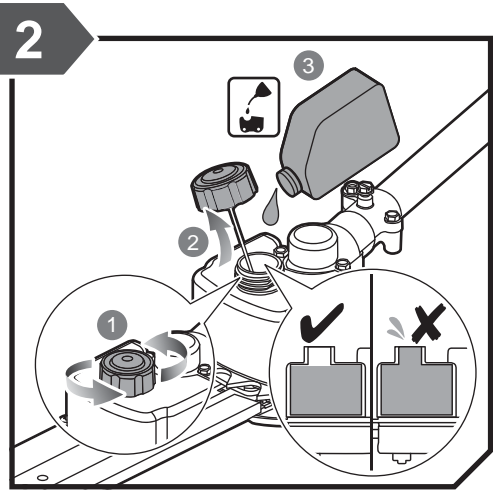
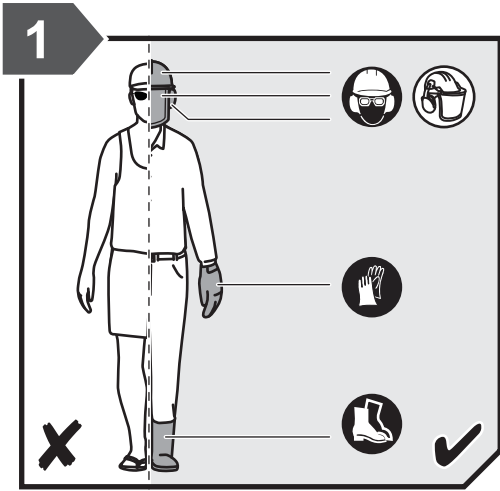
ПОПЕРЕДЖЕННЯ

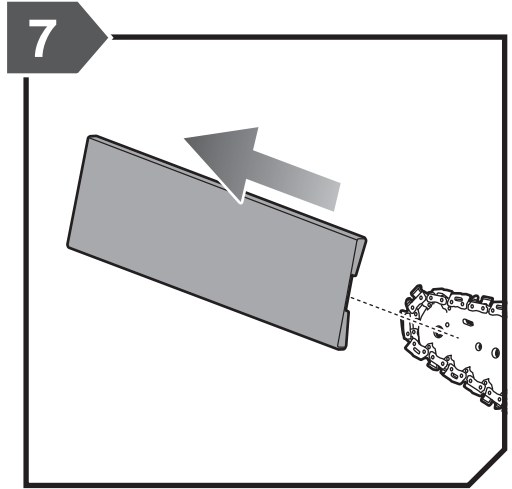
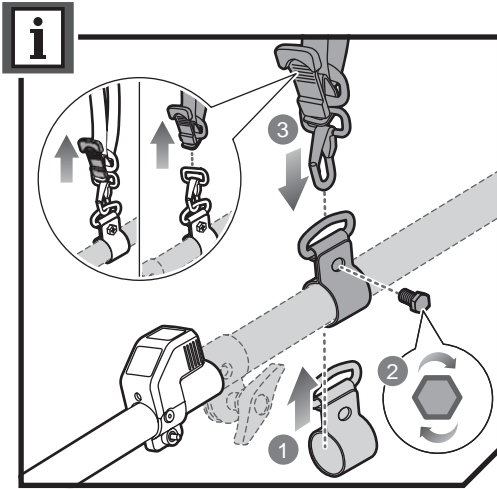
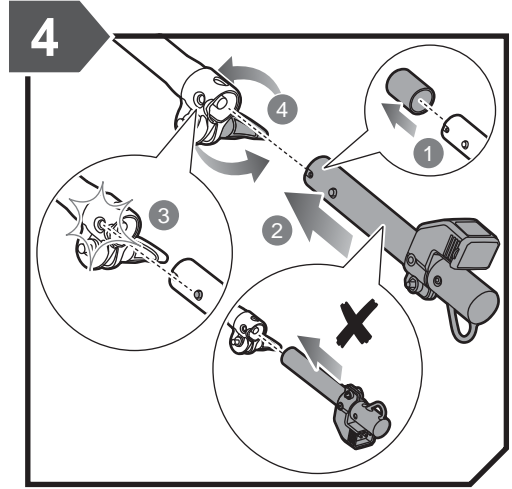
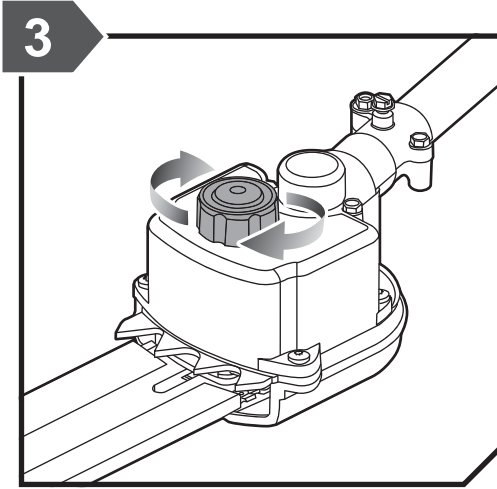
Без попереджувальних символів

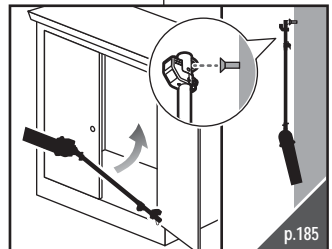
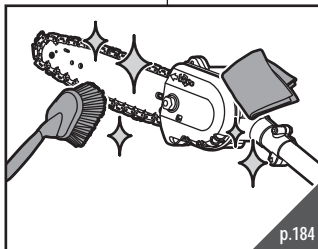
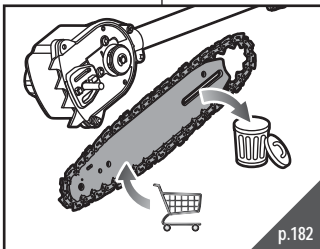
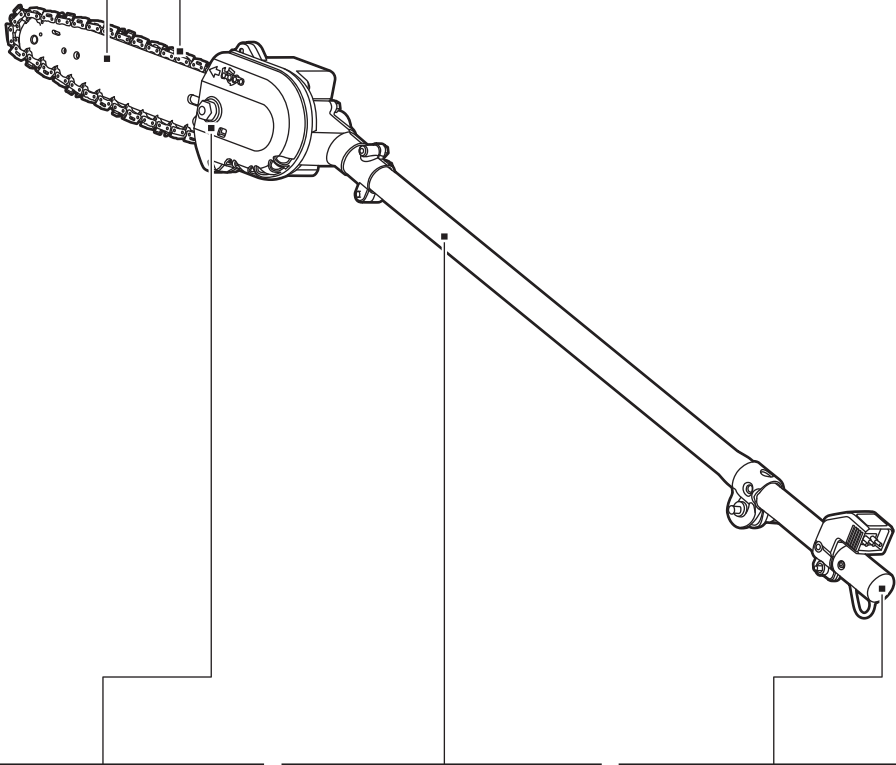
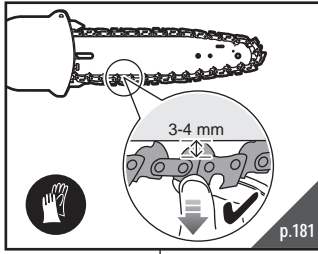
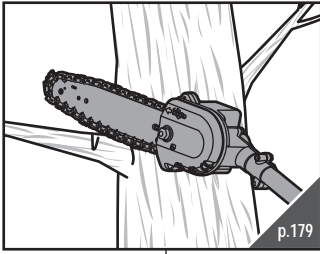
Вказує на ситуацію, яка може призвести до пошкодження майна.

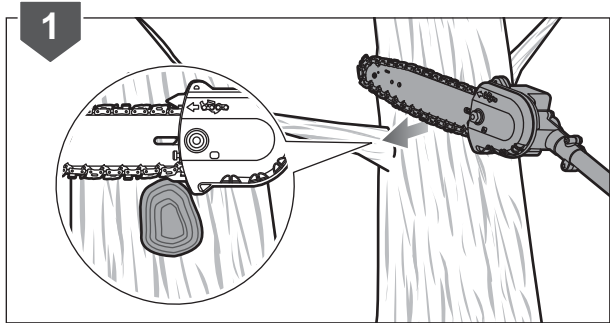
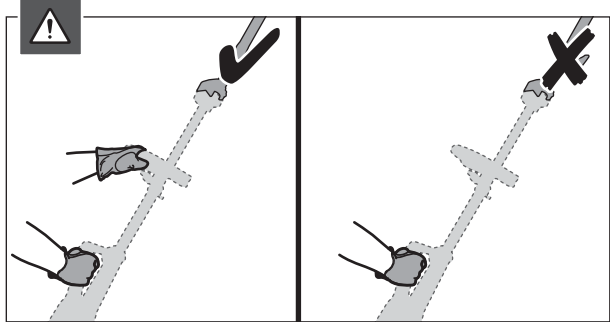
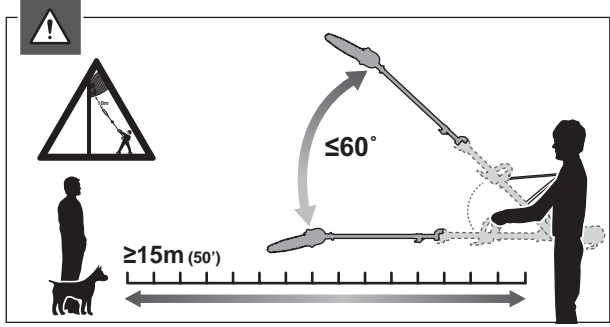
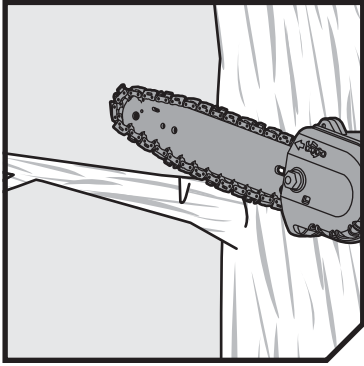


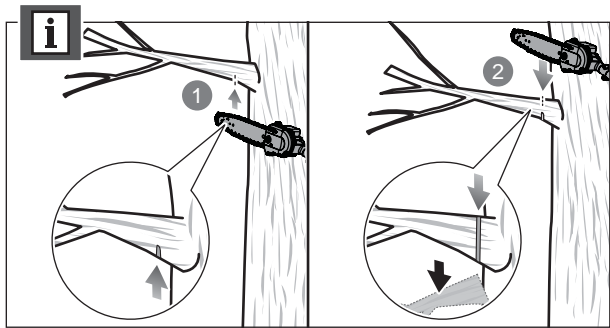


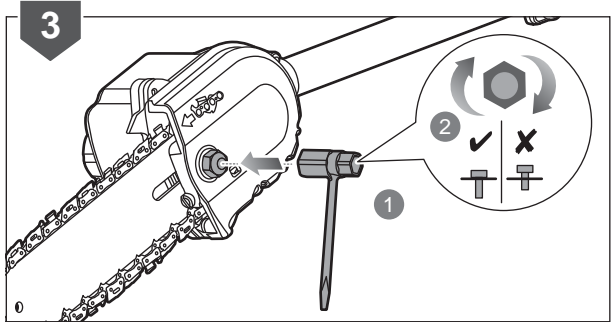
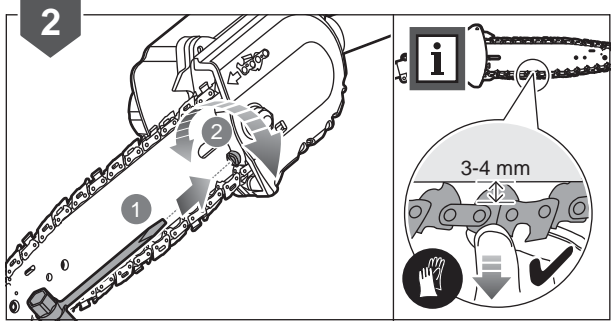
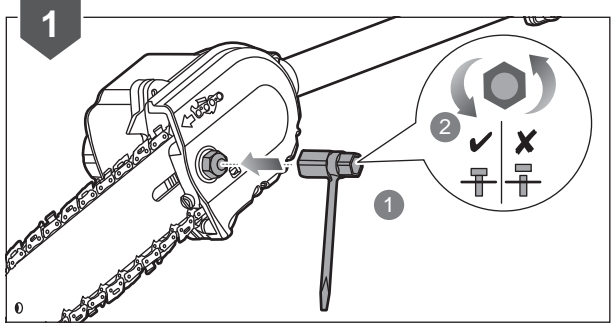
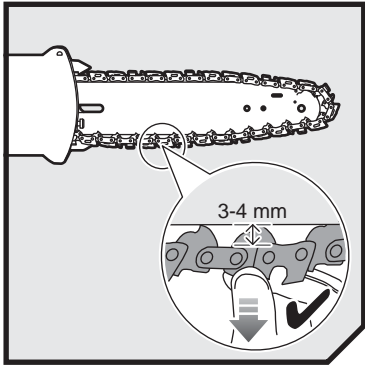


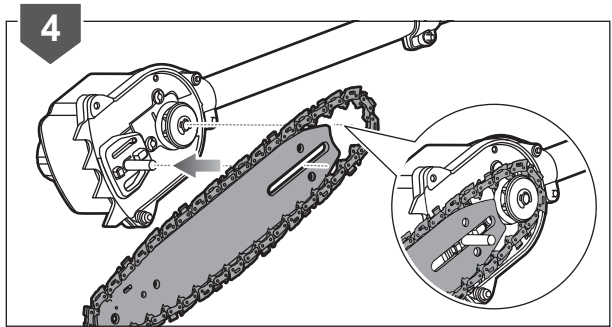
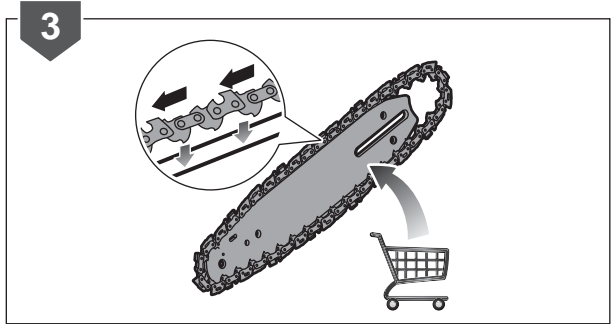
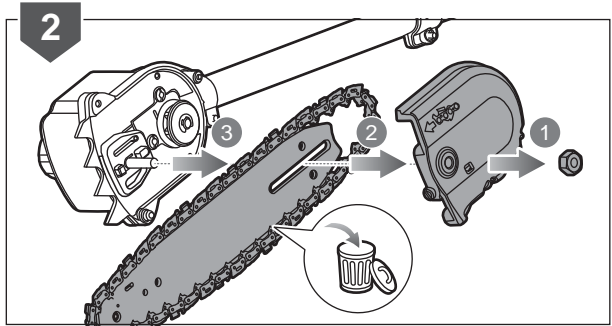
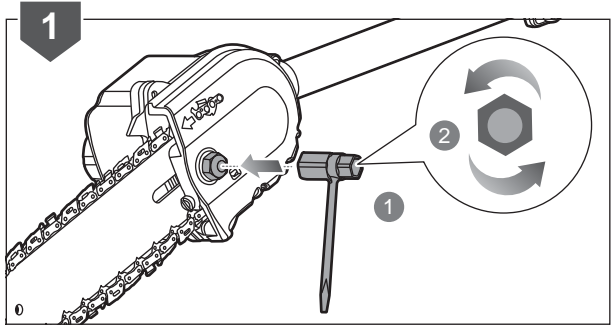
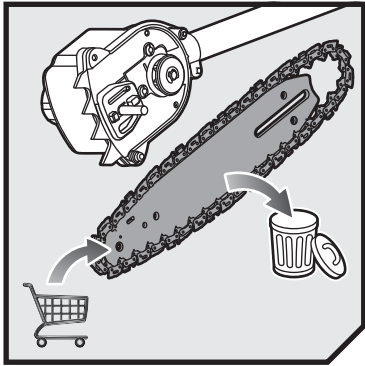


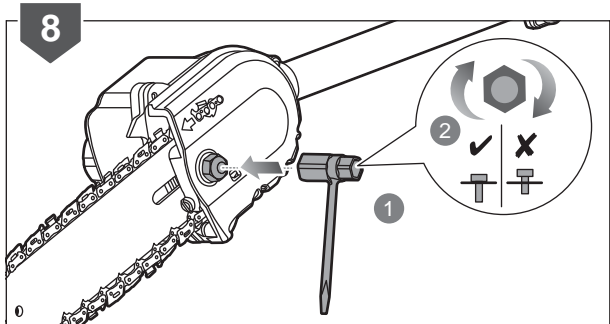
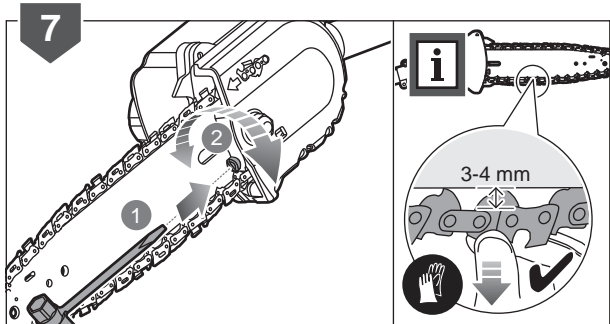
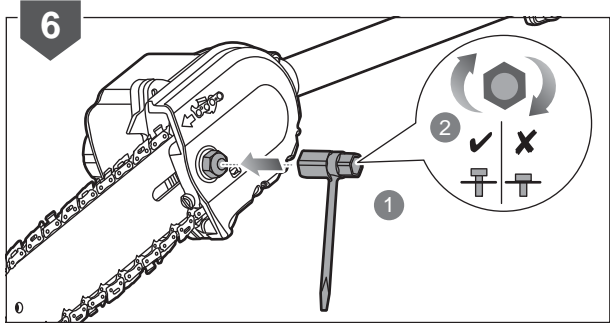
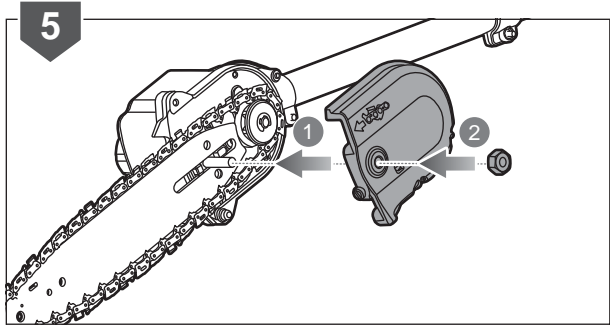


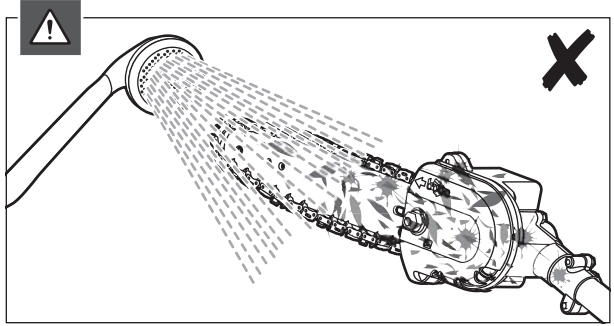
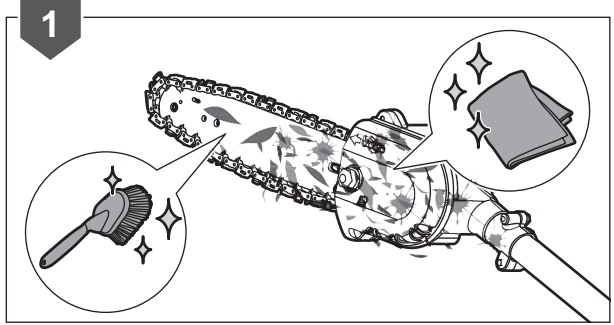
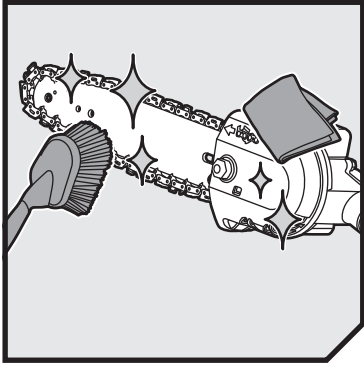


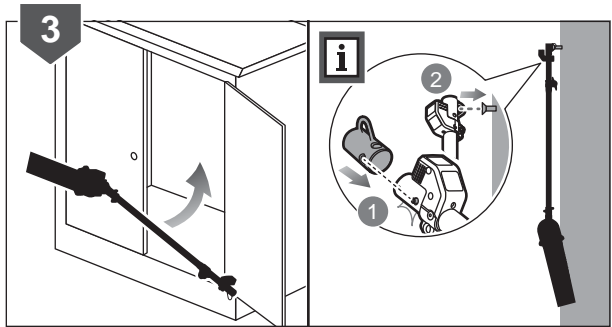
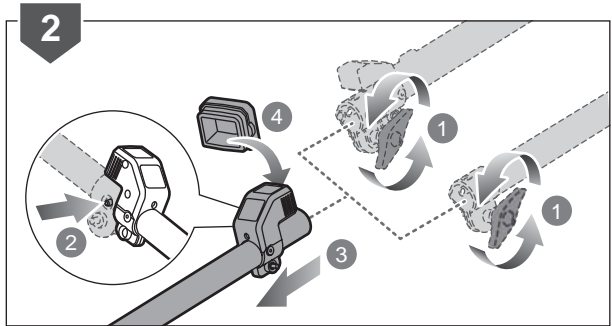
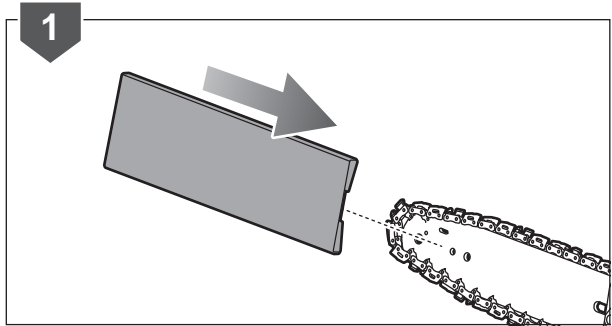
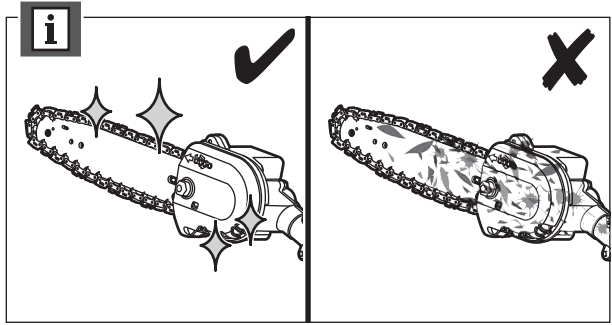
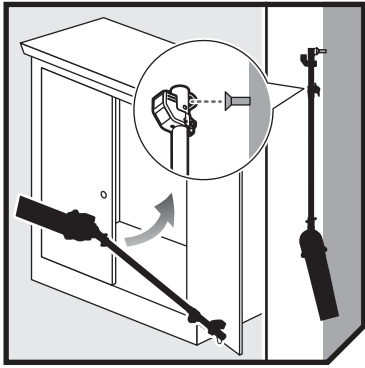














English	Français	Deutsch	Español	Italiano	Nederlands	Português
Pruner Attachment	Accessoire élagueur	Entaster Aufsatz	Accesorio para podar	Accessorio potatore	Hoogsnoeier accessoire	Accessório podadeira
Model	Modèle	Modell	Modelo	Modello	Model	Modelo
For assembling with petrol-driven power head (below values are measured on RBC30SESA power head)	Pour montage avec tête d'entraînement à essence (les valeurs ci-dessous sont mesurées avec la tête d'entraînement RBC30SESA)	Für die Montage mit benzinbetriebenen Antriebskopf (siehe unten, gemessene Werte mit RBC30SESA Antriebskopf)	Para montar con cabezal de potencia de gasolina (Los valores de abajo se han medido en el cabezal de potencia RBC30SESA)	Per l'assemblaggio con motore a benzina (I valori di seguito sono stati misurati con motore RBC30SESA)	Voor montage met de benzineaangedreven aandrijfkop (Onderstaande waarden zijn gemeten op de RBC30SESA-aandrijfkop)	Para montagem em cabeça motriz a gasolina (os valores abaixo são medidos na cabeça motriz RBC30SESA)
Weight	Poids	Gewicht	Peso	Peso	Gewicht	Peso
- With power head, without fuel, and harness - Pruner attachment	-Avec la tête de puissance, sans carburant, harnais -Accessoire élagueur	-Mit Antriebskopf, ohne Kraftstoff, und Tragegeschirr -Entaster-Aufsatz	-Con cabeza de la energía, sin combustible, y arnés -Accesorio para podar	-Con la testa potere, sin combustible, cinta da spalla -Accessorio potatore	-Met macht hoofd, zonder brandstof, het harnas -Hoogsnoeier accessoire	-Com cabeça de energia, sem combustível, arnés -Accessório podadeira
Fuel tank volume	Capacité du réservoir de carburant	Tankvolumen	Volumen del depósito de combustible	Volume serbatoio carburante	Brandstoftankvolume	Volume do depósito de combustível
Recommended	Conseillé	Empfohlen	Recomendado	Consigliato	Aanbevolen	Recomendado
Bar length	Longueur du guide	Schienenlängen	Longitud de la espada	Lunghezza barra	Zaagbladlengten	Comprimentos da barra
Chain pitch	Gouge de la chaîne	Kettenteilung	Paso de la cadena	Passo catena	Kettingsteek	Passo da corrente
Chain type	Type de chaîne	Kettentyp	Tipo de cadena	Tipo di catena	Kettingtype	Tipo de corrente
Low profile skip tooth narrow kerf	Dent libre profil bas à faible largeur	Niedrigprofil Skip-Tooth schmale Schnittbreite	Corte angosto de dientes de salto de bajo perfil	Intaccature strette a dentatura grossolana e basso profilo	Smalle snijbreedte met laag skip-tooth profiel	Corte estreito de dentes de salto de baixo perfil
No-load chain speed	Vitesse de la chaîne à vide	Leerlauf-Kettengeschwindigkeit	Velocidad de la cadena sin carga	Velocità catena senza carico	Onbelaste kettingsnelheid	Velocidade da corrente sem carga
Oil tank volume	Volume du réservoir d'huile	Öltankvolumen	Volumen del depósito de aceite	Volume serbatoio olio	Olietankvolume	Volume do depósito de óleo
Maximum product working length	Longueur maximale de travail du produit	Maximale Arbeitsreichweite des Produktes	Máxima de trabajo del aparato	Massima funzionamento prodotto	Maximum product bedrijfs lengte	Comprimento máximo de trabalho do aparelho
Engine displacement	Cylindrée du moteur	Motorhubraum	Volumen del motor	Cilindrata motore	Cilinderinhoud motor	Cilindrada do motor
Maximum engine performance (in accordance with ISO 8893)	Puissance maximale du moteur (selon ISO 8893)	Maximale Motorleistung (nach ISO 8893)	Potencia máxima del motor (conforme con ISO 8893)	Prestazioni massime motore (in accordo con le norme ISO 8893)	Maximum motorvermogen (in overeenstemming met ISO 8893)	Potência máxima do motor (nos termos da ISO 8893)
Fuel consumption (in accordance with ISO 8893) at maximum engine performance	Consommation de carburant (selon ISO 8893) à puissance maximum	Kraftstoffverbrauch (nach ISO 8893) bei maximaler Motorleistung	Consumo de combustible (de acuerdo con la norma ISO 8893) al alcanzar la potencia máxima del motor	Consumo di carburante (secondo quanto indicato dalla norma ISO 8893) quando il motore è al massimo	Brandstofverbruik (in overeenstemming met ISO 8893) bij maximum motorvermogen	Consumo de combustível (de acordo com a norma ISO 8893) ao alcançar a potência máxima do motor
Engine speed (rotational frequency) at idle	Régime moteur (vitesse de rotation) au ralenti	Motorgeschwindigkeit (Umdrehungen) bei Leerlauf	Velocidad del motor (frecuencia rotacional) a ralentí	Velocità del motore (frequenza rotazionale) al minimo	Motorsnelheid (toerental) bij stationair toerental	Velocidade do motor (frequência rotacional) ao ralentí
Vibration level (ISO 22867):	Vibrations (selon ISO 22867):	Vibrationen (nach ISO 22867):	Vibración (de acuerdo con la norma ISO 22867):	Vibrazione (ISO22867):	Trillingen (in overeenstemming met ISO 22867):	Vibration (de acordo com a norma ISO 22867):
Front handle	Poignée avant	Vorderer Haltegriff	Mango delantero	Manico anteriore	Voorste handvat	Pega frontal
Idling	Au ralenti	Leerlauf	Al ralentí	Al minimo	Motor in vrijloop	Ao ralentí
Racing	En fonctionnement	Hohe Drehzahl	En funcionamiento	In funzione	Draaiende motor	Em funcionamento
Equivalent	Équivalent	Entspricht	Equivalente	Equivalente	Equivalent	Equivalente
Rear handle	Poignée arrière	Hintere Haltegriff	Mango trasero	Manico posteriore	Achterste handvat	Pega traseira
Idling	Au ralenti	Leerlauf	Al ralentí	Al minimo	Motor in vrijloop	Ao ralentí
Racing	En fonctionnement	Hohe Drehzahl	En funcionamiento	In funzione	Draaiende motor	Em funcionamento
Equivalent	Équivalent	Entspricht	Equivalente	Equivalente	Equivalent	Equivalente
Uncertainty of vibration measurement	Incertitude de la mesure des vibrations	Unsicherheit der Vibrationsmessung	Incertidumbre en la medición de vibración	Incertezza misura vibrazioni	Onzekerheid trillingsmeting	Incerteza da medição da vibração
Noise emission level (in accordance with ISO 22868)	Niveau d'émission sonore (selon ISO 22868)	Schallenergiepegel (gemäß ISO 22868)	Nivel de emisión de ruido (de acuerdo con ISO 22868)	Livello di emissione rumore (in accordo con la direttiva ISO 22868)	Geluidsemissieniveau (in overeenstemming met ISO 22868)	Nível de emissão de ruído (em conformidade com ISO 22868)





Dansk	Svenska	Suomi	Norsk	Русский	
Produktspecifikationer	Produktspecifikationer	Tuotteen tekniset tiedot	Produktspecificasjoner	Характеристики изделия	
Grenkappeltilbehør	Grensgåstillsats	Vesurivaruste	Grensgagtilbehør	Аксессуар секатор	
Model	Modell	Malli	Modell	Модель	RXPR01
For montering med benzindrevet powerhead (nedenstående værdier er målt på RBC30SESA-powerhead)	För montering med bensindriven drivenhet (nedanstående värden har uppmätts på drivenheten RBC30SESA)	Kytkeeminen bensinikäyttöiseen moottoripäähän (alla olevat arvot on mitattu RBC30SESA-moottoripästä)	For montering med bensindrevet kraftkilde (verdiene nedenfor målt på strømhodet RBC30SESA)	Для установки на силовую головку с приводом от бензинового двигателя (измерение указанных ниже значений проводилось на силовой головке RBC30SESA)	
Vægt	Vikt	Paino	Vekt	Вес	
-Med magt hoved, uden brændstof, selen -Grenkappeltilbehør	-Med drivenheten, utan bränsle, och sele -Grensgåstillsats	-Voimalla pää, ilman polttoainetta, valjaita -Vesurivaruste	-Med makt hode, uten drivstoff, selen -Grensgagtilbehør	-С силовой головки, без заправки, крепежным ремнем -Аксессуар секатор	6.67 kg 2.14 kg
Brændstoffank-volumen	Bränsletanksvolym	Polttoainesäiliön tilavuus	Drivstoffankvolum	Объем топливного бака	415 ml
Anbefalede	Rekommenderad	Suosittelava	Anbefalt	рекомендуемые	350 ml
Sværdlængder	Sværdlængder	Terien pituudet	Sverdlengder	Длина шины	250cm
Kædestigning	Kedjedeling	Ketjun jako	Inndeling av kjede	Зубья пильной цепи	9.5 mm (3/8")
Kædetype	Kedjetyp	Ketjun tyyppi	Kjedetype	Тип пильной цепи	
Lavprofil-'skip tooth' til smal savfuge	Lågprofils smaltandad brott	Matalaprofiilinen Skip Tooth -terä, kapea uurros	Lavprofil skip link smal kjerv	Узкий пропил за счет низкопрофильного лезвия с формой зуба «скип»	
Tomgangs-kædehastighed	Kedjehastighet utan belastning	Ketjun nopeus kuormittamattomana	Tomgangskjedehastighet	Скорость цепи на холостом ходу	15 m/s
Olietankvolumen	Oljetankens volym	Öljysäiliön tilavuus	Oljetankvolum	Объем масляного бака	200 ml
Max produktarbejds længde	Max längd på produktarbete	Tuotteen suurin työpituus	Maksimal arbejds længde	Максимальная рабочая длина изделия	2.6 m
Motor, slagvolumen	Motorförskjutning	Moottorin iskutilavuus	Motorens slagvolum	Рабочий объем мотора	30 cm ³ /cc
Max motorydelse (i henhold til ISO 8893)	Maximal motoreffekt (i enlighet med ISO 8893)	Moottorin huipputeho (ISO 8893 -standardin mukaan)	Maksimum motorytelse (i henhold til ISO 8893)	Максимальная мощность двигателя (в соответствии со стандартом ISO 8893)	0.75 kW
Brændstofforbrug (i henhold til ISO 8893) ved max motorydelse	Bränsleförbrukning (i enlighet med ISO 8893) vid maximal motoreffekt	Polttoaineenkulutus (ISO 8893 -standardin mukaisesti) moottorin huipputeholla	Drivstofforbruk (i henhold til ISO 8893) ved maksimum motorytelse	Потребление топлива (в соответствии с требованиями ISO 8893) при максимальной нагрузке двигателя	0.42 kg/h (or 0.58 L/h)
Motorhastighed (omdrejningsfrekvens) i tomgang	Motorhastighet (rotationsfrekvens) vid tomgång	Moottorin nopeus (kiertotaajuus) tyhjäkäynnillä	Motorhastighet (rotasjonsfrekvens) ved tomgang	Обороты двигателя на холостом ходу	2,800 - 3,500 min ⁻¹
Vibration (ISO22867):	Vibration (i enlighet med ISO 22867):	Vibration (ISO 22867 -standardin mukaisesti):	Vibrasjon (i henhold til ISO 22867):	Вибрация (в соответствии с требованиями ISO 22867):	
Forhåndtag	Främre handtag	Etukädensija	Fremre håndtak	Передняя ручка	
Tomgang	Tomgångskörning	Tyhjäkäynnillä	Tomgang	На холостом ходу	2.5 m/s ²
Tophastighed	Racing	Huipponopeudella	Rusing	При работе	8.1 m/s ²
Ækvivalent	Motsvarande	Ekvivalentti	Tilsvarende	Эквивалентного	6.0 m/s ²
Baghåndtag	Bakre handtag	Takakädensija	Bakre håndtak	Задняя ручка	
Tomgang	Tomgångskörning	Tyhjäkäynnillä	Tomgang	На холостом ходу	0.6 m/s ²
Tophastighed	Racing	Huipponopeudella	Rusing	При работе	7.9 m/s ²
Ækvivalent	Motsvarande	Ekvivalentti	Tilsvarende	Эквивалентного	5.6 m/s ²
Usikkerhed ved vibrationsmåling	Osäkerhet i vibrationsmätningen	Tärinmittauksen epätarkeyuus	Usikkerhet ved vibrationsmåling	Погрешность измерения вибрации	1.5 m/s ²
Støjmissionsniveau (iht. ISO 22868)	Bulleterläppsnivå (enligt ISO 22868)	Melutaso (standardin ISO 22868 mukaisesti)	Støyutslippsnivå (iht. ISO 22868)	Уровень шума (в соответствии с ISO 22868)	





Polski	Čeština	Magyar	Română	Latviski	Lietuviškai	Eesti
Parametry techniczne	Technické údaje	Műszaki adatok	Caracteristici tehnice	Specifikācijas	Techninés sąlygos	Techninés sąlygos
Opiszet okrzesywacza	Príslušenství k vyvėtovacėe	Gallyazó láncfűrészfűtű	Accesoriu ferăstrău de crengi	Pievienojams zaru zāģis	Genėtuvo priedas	Kārpja lisaseadme
Model	Model	Típus	Model	Modelis	Modelis	Nimivõimsus
Dotyczy montażu z silnikiem benzynowym (poniżej podano wartości zmierzone dla silnika RBC30SESA)	Montáž s benzínovým čerpadlem (nižė uvedené hodnoty naměřeny na čerpadle RBC30SESA)	Benzines tápfejre szerelés esetén (az alábbi értékeket RBC30SESA tápfejre mértük)	În situația asamblării pe un cap de antrenare cu motor pe benzină (valorile de mai jos au fost măsurate pe capul de antrenare RBC30SESA)	Savienošana ar benzīna piedziņas bloku (Zemāk norādītās vērtības mērītas ar RBC30SESA piedziņas bloku)	Įrenginiam su benzinu varomais galios agregatas (toliau pateikiamos vertės išmatuotos RBC30SESA galios agregatuose)	Bensiniimootoriga kasutamiseks (Alpool on RBC30SESA mootoriga mõõdetud väärtused)
Ciężar	Hmotnost	Gépsúly	Greutate	Svars	Svoris	Kaal
-Z glowy zasilania, Bez paliwa, uprzęż -Opiszet okrzesywacza	-S napájecím hlavy, Bez paliva, postroj -Přislušenství k vyvėtovacėe	-A motorkocsi, Üzemanyag, hevedert -Gallyazó láncfűrészfűtű	-Cu capul de putere, Fără carburant, hamul -Accesoriu ferăstrău de crengi	-Ar jaudas galvu, Bez degvielas, drošības -Pievienojams zaru zāģis	-Su maitinimo galvą, Be degalų, diržus -Genėtuvo priedas	-Mis võimu pea, Ilma kütusea, rakmeid -Kārpja lisaseadme
Pojemność zbiornika paliwa	Objem palivové nádrže	Üzemanyagtartály térfogata	Volum rezervor de combustibil	Degvielas tvertnes tilpums	Degalų bako tūris	Kütusepaagi maht
Zalecana	Doporučení	Ajánlott	Recomandat	Ieteicams	Rekomenduojama	Soovitav
Długość prowadnicy	Délka lišty	Láncvezető hossz	Lungimea ghidului	Vadīklas garums	Pjovimo juostos ilgis	Lati pikkus
Przecinak kształtowy łańcucha	Článek řetězu	Fog osztás	Lamele lanțului	Kēdes asmeņiši	Pjovimo grandinės dantukas	Keti samm
Typ łańcucha	Typ řetězu	Fűrészlánc típus	Tipul lanțului	Kēdes paveids	Pjovimo grandinės tipas	Keti tüüp
Niskoprofilowy wąski rżaz przeskoku zęba	Nizkoprofilový pilový řetěz	Alacsony profilú skőp keskeny fűrészlánc	Dintj (de rodaj) lanț rari cu profil sczut și secțiune îngustă	Zema profila pārcietena zobrata iegriezumš	Mažo profilio siaura įranta, įpjauant „kas antru“ dančiu	Madalprofililiga pikendatud terasammuga kitsa saetega kett
Prędkość łańcucha bez obciążenia	Rychlost řetězu naprázdno	Terhelés nélküli láncsebesség	Viteză lanț fără sarcină	Bezslodzes kēdes ātrums	Neapkrauto grandinės greitis	Keti kiirus ilma koormusea
Pojemność zbiornika oleju	Objem olejové nádrže	Olajtartály térfogata	Volum rezervor de ulei	Eļas tvertnes tilpums	Alyvos bako tūris	Õlipaagi maht
Maksymalna długość robocza produktu	Maximální pracovní délka výrobku	Termék maximális hossza működés közben	Lungime maximă de prelucrare a produsului	Maksimālais produkta darba ilgums	Maksimalus darbinis gaminio ilgis	Seadme maksimaalne tööpikkus
Pojemność skokowa silnika	Obsah válce	Hengerűrtartalom	Cilindree	Dzinēja darba tilpums	Cilindro talpa	Mootori kubatuur
Maksymalna wydajność silnika (zgodnie z normą ISO 8893)	Maximální výkon motoru (v souladu s ISO 8893)	Maximális motor teljesítmény (az ISO 8893 szerint)	Performanță maximă a motorului (în conformitate cu ISO 8893)	Maksimālā dzinēja veikspēja (saskaņā ar ISO 8893)	Maksimalus variklio darbas (pagal standartą ISO 8893)	Mootori maksimaalvõimsus (vastavalt standardile ISO 8893)
Zużycie paliwa (zgodnie z normą ISO 8893) przy maksymalnej wydajności silnika	Spotřeba paliva (v souladu s ISO 8893) při maximálním výkonu motoru	Üzemanyagfogyasztás maximális motor teljesítményen (az ISO 8893 szerint)	Consumul de combustibil (în conformitate cu ISO 8893) la performanță maximă a motorului	Degvielas patēriņš (saskaņā ar ISO 8893) pie maksimālās dzinēja veikspējas	Kuro sąnaudos (pagal standartą ISO 8893) varikliui veikiant maksimalia galia	Kütusekulu mootori maksimaalvõimsusel (vastavalt standarditele ISO 8893)
Prędkość (obrotowa) silnika na biegu jałowym	Rychlost motoru (frekvence otáčení) při vojnoběhu	Motor fordulatszám (forgási frekvencia) alapjáraton	Turație motor (frecvență de rotație) la ralanti	Dzinēja ātrums (rotēšanas frekvence) tukšgaitā	Variklio greitis (sukimosi dažnis) tuščioji eiga	Mootori kiirus (pöörlemissagedus) tühikäigul
Wibracje (zgodnie z normą ISO 22867):	Vibrace (v souladu s ISO 22867):	Rezgésszint (az ISO 22867 szerint):	Vibrații (în conformitate cu ISO 22867):	Vibrācija (ISO22867):	Vibracijos (pagal standartą ISO 22867):	Vibratsioon (vastavalt standardile ISO 22867):
Uchwyt przedni	Přední rukojeť	Előlső fogantyú	Măner anterior	Priekšējais rokturis	Priekinė rankena	Eesmine käepide
Bieg jałowy	Volnoběh	Alapjártat	Ralanti	Tukšgaita	Tuščioji eiga	Tühikäik
Obroty robocze	Plný výkon	Max. fordulatszám	Funcționare	Darba veikšana	Smarkiausias veikimas	Töökäik
Równoważny	Ekvivalentní	Egyenértékű	Echivalent	Ekvivalents	Ekvivalentiškas	Ekvivalentne
Uchwyt tylny	Zadní rukojeť	Hátső fogantyú	Măner posterior	Aizmugurējais rokturis	Galinė rankena	Tagumine käepide
Bieg jałowy	Volnoběh	Alapjártat	Ralanti	Tukšgaita	Tuščioji eiga	Tühikäik
Obroty robocze	Plný výkon	Max. fordulatszám	Funcționare	Darba veikšana	Smarkiausias veikimas	Töökäik
Równoważny	Ekvivalentní	Egyenértékű	Echivalent	Ekvivalents	Ekvivalentiškas	Ekvivalentne
Niepewność pomiaru natężenia drgań	Nejistota měření vibrací	Vibrációmérés bizonytalansága	Abaterea la măsurarea vibrațiilor	Vibrācijas mērījuma nenoteiktība	Vibracijos išmatavimų nepastovumas	Vibratsiooni mõõtemääramatus
Poziom emisji hałasu (zgodnie z normą ISO 22868)	Hladina emise hluku (v souladu s ISO 22868)	Hanghőbocsátási szint (az ISO 22868 szerint)	Nivel emisie zgomot (în conformitate cu ISO 22868)	Trokšņu emisijas līmenis (saskaņā ar ISO 22868)	Skleidžiamo triukšmo lygis (pagal ISO 22868 standartą)	Helivõimsuse tase (vastavalt standardile ISO 22868)





Hrvatski	Slovensko	Slovenčina	България	Українська	
Tehničke karakteristike	Tehnični podatki	Špecifikácie	Спецификации на продукта	Технічні характеристики продукту	
Nastavak za obrezivanje	Priključek za obrezovanje drevja	Prisluženstvo na kultivátor	Градиска принадлежност - глава за кастрачка	Насадики Для Секатор	
Nazivna snaga	Nazivna moć	Menovitý výkon	Номинална мощност	Модель	RXPR01
Za sklapanje sklopa s benzinskom pogonskom glavom (donje vrijednosti mjerene na pogonskoj glavi RBC30SESA)	Za sestavljanje s pogonsko glavom na bencin (spodnje vrednosti so bile izmerjene na pogonski glavi RBC30SESA)	Pre montáž s benzínovým pohonom (pod hodnotami nameranými pre pohon RBC30SESA)	Za montáž s benzinová задвижваща глава (Посочените стойности са измерени при работа със задвижваща глава RBC30SESA)	Для збирки з бензиновоу силовоу головкою (нижчеказані значення отримані на силовій головці RBC30SESA)	
Težina	Teža	Hmotnosť	Терло	Вага	
-S glave snage, Bez goriva, rameni remen -Nastavak za obrezivanje	-Z moćjo glavo, Brez goriva, oprtnik -Priključek za obrezovanje drevja	-S napájacím hlavy, Bez paliva, postroj na plece -Prisluženstvo na kultivátor	-C мощност главата, Без гориво, презрамката -Градиска принадлежност - глава за кастрачка	-З силовий головки, без палива, і джгутом -Насадики Для Секатор	6.67 kg 2.14 kg
Zapremnina spremnika goriva	Prostornina posode za gorivo	Objem palivovej nádrže	Обем на горивния резервоар	Об'єм паливного бака	415 ml
Preporučení	Priporočeno	odporúčaná	Препоръчано	Рекомендований	350 ml
Dužina vodilice	Dožine meča	Dĺžka vodiacej lišty	Дължина на шината	Довжина рейки	250cm
Zubac lanca	Korak verige	Rozstup reťaze	Стъпка на веригата	Інтенсивність пили	9.5 mm (3/8")
Vrsta lanca	Vrsta verige	Typ reťaze	Тип верига	Тип ланцюга	
Niski profil preskače zub uskok usjeka	Nizkoprofilna ozka zarez za brez zoba	Nízkoprofilový preskok zubu – úzky zárez	Нископрофилни редки зъбци с тесни резки	Вузкий пропил з низьким профілем пропуску зубців	
Brzina bez opterećenja lanca	Hitrost verige brez obremenitve	Rýchlosť reťaze bez záťaže	Скорост на веригата в ненатоварено положение	Швидкість холостого ходу ланцюга	15 m/s
Zapremnina spremnika za ulje	Prostornina rezervoarja za gorivo	Objem olejovej nádrže	Обем на резервоара за масло	Об'єм мастила в резервуарі	200 ml
Maksimalna duljina proizvoda u radu	Maksimalna dožina obdelovanja izdelka	Maximálna pracovná dĺžka produktu	Максимална работна дължина на продукта	Максимална робоча довжина виробу	2.6 m
Cilindar	Premik motorja	Obsah valca	Работен обем	Об'єм двигуна	30 cm³/cc
Maksimalna učinkovitost motora (u skladu s ISO 8893)	Maksimalna moć motorja (skladno z ISO 8893)	Maximálny výkon motora (podľa normy ISO 8893)	Максимална производителност на двигателя (в съответствие с ISO 8893)	Максимална потужність двигуна (відповідно до ISO +8893)	0.75 kW
Potrošnja goriva (u skladu s ISO 8893) kod maksimalne učinkovitosti motora	Poraba goriva (skladno z ISO 8893) pri maksimalni moći motorja	Spotreba paliva (podľa normy ISO 8893) pri maximálnom výkone motora	Консумация на гориво (съобразно ISO 8893) при максимална производителност на двигателя	Витрата палива (відповідно до ISO 8893) при максимальній продуктивності двигуна	0.42 kg/h (or 0.58 L/h)
Brzina motora (frekvencija rotacija) pri praznom hodu	Številno vrtiljavov motorja (frekvencija vrtenja) v prostem teku	Rýchlosť motora (frekvencia otáčania) na voľnobehu	Скорост на двигателя (честота на въртене) на празен ход	Швидкість двигуна (частота обертання) на холостому ходу	2,800 - 3,500 min ⁻¹
Vibracije (ISO22867):	Vibracije (skladno z ISO 22867):	Vibrácie (podľa normy ISO 22867):	Вибрации (съобразно ISO 22867):	Вібрації (ISO 22867):	
Prednja ručka	Sprednji ročaj	Predná rukoväť	Предна ръкохватка	Передня ручка	
U praznom hodu	Prosti tek	Voľnobeh	На празен ход	На холостому ходу	2.5 m/s²
U radu	Obremenitev	Beh	Работен режим	робочий режим	8.1 m/s²
Ekvivalentno	Ekvivalent	Ekvivalentná	Эквивалентно	еквівалент	6.0 m/s²
Stražnja ručica	Zadnji ročaj	Zadná rukoväť	Задна ръкохватка	Задня ручка	
U praznom hodu	Prosti tek	Voľnobeh	На празен ход	На холостому ходу	0.6 m/s²
U radu	Obremenitev	Beh	Работен режим	робочий режим	7.9 m/s²
Ekvivalentno	Ekvivalent	Ekvivalentná	Эквивалентно	Еквівалент	5.6 m/s²
Neodređenost mjerjenja vibracija	Negotovost meritve vibracij	Nespoľahlivosť meraní vibrácií	Несигурност на измерването на вибрациите	Невизначеність вимірювання вібрацій	1.5 m/s²
Razina emisija buke (u skladu s ISO 22868)	Raven emisij hrupa (v skladu s standardom ISO 22868)	Úroveň emisíj hluku (podľa normy ISO 22868)	Ниво на шумовите емисии (в съответствие с ISO 22868)	Рівень шуму (відповідно до ISO 22868)	





English	Français	Deutsch	Español	Italiano	Nederlands	Português
A-weighted emission sound pressure level at the operator's position	Niveau de pression sonore pondéré-A au niveau de l'opérateur	A-bewerteter Schalldruckpegel an der Position des Anwenders	Nivel de presión sonora ponderado A en la posición del operario	Livello di pressione sonora pesato A alla posizione dell'operatore	A-gewogen geluidsdrukniveau op de plaats van de bediener	Nível de pressão sonora ponderado A na posição do operador
Idling	Au ralenti	Leerlauf	Al ralenti	Al minimo	Motor in vrijloop	Ao ralenti
Racing	En fonctionnement	Hohe Drehzahl	En funcionamiento	In funzione	Draaiende motor	Em funcionamento
Equivalent	Équivalent	Entspricht	Equivalente	Equivalente	Equivalent	Equivalente
Uncertainty	Incertitude	Unsicherheit	Incertidumbre	Incertezza	Onzekerheid	Incerteza
A-weighted sound power level	Niveau de puissance sonore pondéré-A	A-bewerteter Schalleistungspegel	Nivel de potencia acústica ponderada en A	Livello di potenza sonora pesato A	A-gewogen geluidsniveau	Nível de potência sonora ponderada A
Idling	Au ralenti	Leerlauf	Al ralenti	Al minimo	Motor in vrijloop	Ao ralenti
Racing	En fonctionnement	Hohe Drehzahl	En funcionamiento	In funzione	Draaiende motor	Em funcionamento
Equivalent	Équivalent	Entspricht	Equivalente	Equivalente	Equivalent	Equivalente
Uncertainty	Incertitude	Unsicherheit	Incertidumbre	Incertezza	Onzekerheid	Incerteza
For assembling with electric-driven power head (Below values measured on RPH1200, RLT1238L and RBC1226I power head)	Pour tête d'entraînement électrique (les valeurs ci-dessous sont mesurées avec la tête d'entraînement RPH1200, RLT1238L, RBC1226I)	Für elektrisch betriebene Antriebsköpfe (siehe unten, gemessene Werte mit RPH1200, RLT1238L, RBC1226I Antriebskopf)	Para cabezales de potencia de eléctricos (Los valores de abajo se han medido en el cabezal de potencia RPH1200, RLT1238L, RBC1226I)	Per motore elettrico (I valori di seguito sono stati misurati con motore RPH1200, RLT1238L, RBC1226I)	Voor de elektrisch aangedreven aandrijfkop (Onderstaande waarden zijn gemeten op de RPH1200, RLT1238L, RBC1226I-aandrijfkop)	Para a cabeça motriz eléctrica (os valores abaixo são medidos com a cabeça motriz RPH1200, RLT1238L, RBC1226I)
Rated power	Puissance nominale	Nennleistung	Potencia clasificada	Alimentazione	Vermogen	Potência nominal
Rated voltage	Tension nominale	Nennspannung	Tensión nominal	Voltaggio nominale	Toegekende spanning	Tensão nominal
Bar length	Longueur du guide	Schienenlängen	Longitud de la espada	Lunghezza barra	Zaagbladlengten	Comprimentos da barra
Chain pitch	Gouge de la chaîne	Kettenteilung	Paso de la cadena	Passo catena	Kettingsteek	Passo da corrente
Chain type	Type de chaîne	Kettentyp	Tipo de cadena	Tipo di catena	Kettingtype	Tipo de corrente
Low profile skip tooth narrow kerf	Dent libre profil bas à faible largeur	Niedrigprofil Skip-Tooth schmale Schnittbreite	Corte angosto de dientes de salto de bajo perfil	Intaccature strette a dentatura grossolana e basso profilo	Smalle snijbreedte met laag skip-tooth profiel	Corte estreito de dentes de salto de baixo perfil
No-load chain speed	Vitesse de la chaîne à vide	Leertauf-Kettengeschwindigkeit	Velocidad de la cadena sin carga	Velocità catena senza carico	Onbelaste kettingsnelheid	Velocidade da corrente sem carga
Oil tank volume	Volume du réservoir d'huile	Öltankvolumen	Volumen del depósito de aceite	Volume serbatoio olio	Olietankvolume	Volume do depósito de óleo
Maximum product working length	Longueur maximale de travail du produit	Maximale Arbeitsreichweite des Produktes	Máxima de trabajo del aparato	Massima funzionamento prodotto	Maximum product bedrijfslelgte	Comprimento máximo de trabalho do aparelho
Weight - With power head - Pruner attachment	Poids -Avec la tête de puissance -Accessoire élagueur	Gewicht -Mit Antriebskopf -Entaster-Aufsatz	Peso -Con cabeza de la energía -Accesorio para podar	Peso -Con la testa potere -Accessorio potatore	Gewicht -Met machts hoofd -Hoogsnoeier accessoire	Peso -Com cabeça de energia -Acessório podadeira
Vibration level (ISO 22867):	Vibrations (selon ISO 22867):	Vibrationen (nach ISO 22867):	Vibración (de acuerdo con la norma ISO 22867):	Vibrazione (ISO22867):	Trillingen (in overeenstemming met ISO 22867):	Vibration (de acordo com a norma ISO 22867):
Rear handle	Poignée arrière	Hinterer Haltegriff	Mango trasero	Manico posteriore	Achterste handvat	Pega traseira
Front handle	Poignée avant	Vorderer Haltegriff	Mango delantero	Manico anteriore	Voorste handvat	Pega frontal
Uncertainty of measurement	Incertitude de la mesure	Unsicherheit der Messung	Incertidumbre de medición	Incertezza della misurazione	Onzekerheid bij meting	Incerteza de medições
Noise emission level (in accordance with ISO 22868)	Niveau d'émission sonore (selon ISO 22868)	Schallenergiepegel (gemäß ISO 22868)	Nivel de emisión de ruido (de acuerdo con ISO 22868)	Livello di emissione rumore (in accordo con la direttiva ISO 22868)	Geluidsemissieniveau (in overeenstemming met ISO 22868)	Nível de emissão de ruído (em conformidade com ISO 22868)
A-weighted emission sound pressure level at the operator's position	Niveau de pression sonore pondéré-A au niveau de l'opérateur	A-bewerteter Schalldruckpegel an der Position des Anwenders	Nivel de presión sonora ponderado A en la posición del operario	Livello di pressione sonora pesato A alla posizione dell'operatore	A-gewogen geluidsdrukniveau op de plaats van de bediener	Nível de pressão sonora ponderado A na posição do operador
Uncertainty of measurement	Incertitude de la mesure	Unsicherheit der Messung	Incertidumbre de medición	Incertezza della misurazione	Onzekerheid bij meting	Incerteza de medições
A-weighted sound power level	Niveau de puissance sonore pondéré-A	A-bewerteter Schalleistungspegel	Nivel de potencia acústica ponderada en A	Livello di potenza sonora pesato A	A-gewogen geluidsniveau	Nível de potência sonora ponderada A
Uncertainty of measurement	Incertitude de la mesure	Unsicherheit der Messung	Incertidumbre de medición	Incertezza della misurazione	Onzekerheid bij meting	Incerteza de medições





Dansk	Svenska	Suomi	Norsk	Русский	
A-vægtet lydtryksniveau ved operatørens position	A-viktad ljudtrycksnivå vid operatörsplats	A-painotettu käyttäjään kohdistuva äänenpainetaso	A-vektet lydtrykk ved operatørposisjon	Амплитудно-взвешенный уровень звукового давления на рабочем месте оператора	
Tomgang	Tomgångskörning	Tyhjäkäynnillä	Tomgang	На холостом ходу	81.1 dB(A)
Tophastighed	Racing	Huipponopeudella	Rusing	При работе	96.2 dB(A)
Ækivalent	Motsvarande	Ekvivalentti	Tilsvarende	Эквивалентного	93.3 dB(A)
Usikkerhed	Uncertainty	Epätarkkuus	Usikkerhet	Погрешность	2.5 dB(A)
A-vægtet lydeffektniveau	A-vägd ljudeffektsnivå	A-painotettu äänenteho	A-vektet lydeffektnivå	Уровень А-взвешенной звуковой мощности	
Tomgang	Tomgångskörning	Tyhjäkäynnillä	Tomgang	На холостом ходу	91.4 dB(A)
Tophastighed	Racing	Huipponopeudella	Rusing	При работе	110.2 dB(A)
Ækivalent	Motsvarande	Ekvivalentti	Tilsvarende	Эквивалентного	107.2 dB(A)
Usikkerhed	Uncertainty	Epätarkkuus	Usikkerhet	Погрешность	2.5 dB
For elektrisk drevet powerhead (nedenstående værdier er målt med RPH1200, RLT1238I, RBC1226I-powerhead)	För elektrisk drivenhet (nedenstående värden har uppmätts på drivenheten RPH1200, RLT1238I, RBC1226I)	Sähkökäyttöinen moottoripää (alla olevat arvot on mitattu RPH1200, RLT1238I, RBC1226I-moottoripäällä):	For strømstyrt kraftkilde (verdiene nedenfor er målt med kraftkilden RPH1200, RLT1238I, RBC1226I)	Для силовых головок с электрическим приводом (измерение указанных ниже значений проводилось на силовой головке RPH1200, RLT1238I, RBC1226I)	
Strøm	Effekt	Moottorinteho	Oppgitt ytelse	Номинальная сила	1200 W
Mærkespænding	Spänning	Nimellisjännite	Nominell spenning	Номинальное напряжение	230 v ~50Hz
Sværdlængder	Svärdlängder	Terien pituudet	Sverdlengder	Длина шины	250 cm
Kædestigning	Kedjedelning	Ketjun jako	Inndeling av kjede	Зубья пильной цепи	9.5 mm (3/8")
Kædetype	Kedjetyp	Ketjun tyyppi	Kjedetype	Тип пильной цепи	
Lavprofil-'skip tooth' til smal savfuge	Lågprofilens smaltandat brott	Matalaprofiilinen Skip Tooth -terä, kapea uurros	Lavprofil skip link smal kjerv	Узкий пропил за счет низкогопрофильного лезвия с формой зуба «скип»	
Tomgangs-kædehastighed	Kedje hastighet utan belastning	Ketjun nopeus kuormittamattomana	Tomgangskjedehastighet	Скорость цепи на холостом ходу	15 m/s
Olietankvolumen	Oljetankens volym	Öljysäiliön tilavuus	Oljetankvolum	Объем масляного бака	200 ml
Max produktarbejds længde	Max längd på produktarbete	Tuotteen suurin työpituus	Maksimal arbejds længde	Максимальная рабочая длина изделия	2.7 m
Vægt -Med magt hoved -Grenkappeltilbehør	Vikt -Med drivenhet -Grensågstillats	Paino -Voimalla pää -Vesurivaruste	Vekt -Med makt hode -Grensaftilbehør	Вес -С силовой головки -Аксессуар секатор	5.53 kg 2.14 kg
Vibration (ISO22867):	Vibration (i enlighet med ISO 22867):	Vibration (ISO 22867 -standardin mukaisesti):	Vibrasjon (i henhold til ISO 22867):	Вибрация (в соответствии с требованиями ISO 22867):	
Baghåndtag	Bakre håndtag	Takakädensija	Bakre håndtak	Задняя ручка	4.5 m/s²
Forhåndtag	Främre håndtag	Etukädensija	Fremre håndtak	Передняя ручка	2.8 m/s²
Målingsusikkerhed	Osäkerhet i mätningar	Mittausten epätarkkuus	Usikkerhet ved måling	Погрешность измерения	1.5 m/s²
Støjmissionsniveau (iht. ISO 22868)	Bullerutsläppsnivå (enligt ISO 22868)	Melutaso (standardin ISO 22868 mukaisesti)	Støyutslippsnivå (iht. ISO 22868)	Уровень шума (в соответствии с ISO 22868)	
A-vægtet lydtryksniveau ved operatørens position	A-viktad ljudtrycksnivå vid operatörsplats	A-painotettu käyttäjään kohdistuva äänenpainetaso	A-vektet lydtrykk ved operatørposisjon	Амплитудно-взвешенный уровень звукового давления на рабочем месте оператора	87.0 dB(A)
Målingsusikkerhed	Osäkerhet i mätningar	Mittausten epätarkkuus	Usikkerhet ved måling	Погрешность измерения	2.5 dB
A-vægtet lydeffektniveau	A-vägd ljudeffektsnivå	A-painotettu äänenteho	A-vektet lydeffektnivå	Уровень А-взвешенной звуковой мощности	100.9 dB(A)
Målingsusikkerhed	Osäkerhet i mätningar	Mittausten epätarkkuus	Usikkerhet ved måling	Погрешность измерения	1.78 dB





Polski	Čeština	Magyar	Română	Latviski	Lietuviškai	Eesti
Poziom ważonego ciśnienia akustycznego w pozycji operatora	Hladina akustického výkonu vážená funkci A v poloze obsluhy	A-súlyozott hangnyomásszint a kezelő helyén	Valoare A nivel presiune zgomot la poziția operatorului	A–novērtējuma skaņas spiediena līmenis operatora darba vietā	A dažnīnės charakteristikos garso slėgio lygis operatoriaus vietoje	A-kaalutud helirõhu tase operatori tōkõhail
Bieg jałowj	Volnobėh	Alapjárát	Ralanti	Tukšgaita	Tušcioji eiga	Tühikäik
Obroty robocze	Plný výkon	Max. fordulatszám	Funcționare	Darba veikšana	Smarkiausias veikimas	Tõökäik
Równoważny	Ekvivalentní	Egyenértékű	Echivalent	Ekvivalents	Ekvivalentiškas	Ekvivalentne
Niepowność pomiaru	Nejistota	Bizonytalanság	Incertitudine	Neoteiktība	Nepastovumas	Määramatus
A-ważony poziom natężenia hałasu	Hladina akustického výkonu vážená funkci A	A-súlyozott hangteljesítményszint	Nivel de putere acustică ponderată A	A-līmeņa skaņas jaudas līmenis	A-svertinis akustinis lygis	A-kaalutud helivõimsuse tase
Bieg jałowj	Volnobėh	Alapjárát	Ralanti	Tukšgaita	Tušcioji eiga	Tühikäik
Obroty robocze	Plný výkon	Max. fordulatszám	Funcționare	Darba veikšana	Smarkiausias veikimas	Tõökäik
Równoważny	Ekvivalentní	Egyenértékű	Echivalent	Ekvivalents	Ekvivalentiškas	Ekvivalentne
Niepowność pomiaru	Nejistota	Bizonytalanság	Incertitudine	Neoteiktība	Nepastovumas	Määramatus
Dotyczy silnika elektrycznego (poniżej podano wartości zmierzone dla silnika RPH1200, RLT1238L, RBC1226I)	Elektrická čerpadla (nižšie uvedené hodnoty naměřeny na čerpadle RPH1200, RLT1238L, RBC1226I)	Elektromos tápfejlesztés (az alábbi értékeket RPH1200, RLT1238L, RBC1226I tápfeljen mértek)	Pentru capul de antrenare cu motor electric (valorile de mai jos au fost măsurate pe capul de antrenare RPH1200, RLT1238L, RBC1226I)	Elektriskās piedziņas blokam (Zemāk norādītās vērtības mērītas ar RPH1200, RLT1238L, RBC1226I piedziņas bloku)	Elektra varomiems galios agregatams (toliau pateikiamos vertės išmatotos su RPH1200, RLT1238L, RBC1226I galios agregatais)	Elektrimootori puhul (Alpool on RPH1200, RLT1238L, RBC1226I mootoriga mõdetud väärtused)
Moc znamionowa	Jmenovitý výkon	Névleges teljesítmény	Putere nominală	Nominālā jauda	Nominalus galinūmas	Nimivõimsus
Napięcie znamionowe	Jmenovitě napětí	Névleges feszültség	Tensiunea nominală	Nominālais spriegums	Nominali įtampa	Nimipinge
Đugość prowadnicy	Dělná lišta	Láncvezető hossz	Lungimea ghidului	Vadītākas garums	Pjovimo juostos ilgis	Lati pikkus
Przecinak kształtowy łańcucha	Článek řetězu	Fog osztás	Lamele lanțului	Ķēdes asmenīši	Pjovimo grandinės dantukas	Keti samm
Typ łańcucha	Typ řetězu	Fűrészlánc típus	Tipul lanțului	Ķēdes paveids	Pjovimo grandinės tipas	Keti tüüp
Niskoprofilowy waški rżaz przeskoku zęba	Nizkoprofilový pilový řetěz	Alacsony profilú skip keskeny fűrészlánc	Dinți (de rodaj) lanț rari cu profil scăzut și secțiune îngustă	Zema profila pāriciena zobrata iegriezums	Mažo profilio siaura iranta, įpjauiant „kas antru“ danciu	Madalprofiiliga pikendatud terasammuga kitsa saeteega kett
Prędkość łańcucha bez obciążenia	Rychlost řetězu naprázdno	Terhelés nélküli láncsebesség	Viteză lanț fără sarcină	Bezslodzes ķēdes ātrums	Neapkrauto grandinės greitis	Keti kiirus ilma koormuseta
Pojemność zbiornika oleju	Objem olejové nádrže	Olajtartály térfogata	Volum rezervor de ulei	Eļļas tvertnes tilpums	Alyvos bako tūris	Õlipaagi maht
Maksymalna długość robocza produktu	Maximální pracovní délka výrobku	Termék maximális hossza működés közben	Lungime maximă de prelucrare a produsului	Maksimālais produkta darba ilgums	Maksimalus darbinis gaminio ilgis	Seadme maksimaalne tööpikkus
Cieżar -Z glowy zasilania -Ospzęt okrzesywacza	Hmotnost -S napájecím hlavy -Přislušenství k vyvětřovačce	Gépsúly -A motorkocsi -Gallyazó láncfűrészfelét	Greutate -Cu capul de putere -Accesorii ferăstrău de crengi	Svars -Ar jaudas galvu -Pļeviojams zaru zāģis	Svoris -Su maitinimo galvą -Genėtuvo priedas	Kaal -Mis võimu pea -Kärpja lisaseadme
Wibracje (zgodnie z normą ISO 22867):	Vibrace (v souladu s ISO 22867):	Rezgésszint (az ISO 22867 szerint):	Vibrații (în conformitate cu ISO 22867):	Vibrācija (ISO22867):	Vibrācijas (pagal standartą ISO 22867):	Vibratsioon (vastavalt standardile ISO 22867):
Uchwyt tylny	Zadní rukojeť	Hátsó fogantyú	Măner posterior	Aizmugurējais rokturis	Galinė rankena	Tagumine käepide
Uchwyt przedni	Přední rukojeť	Elűső fogantyú	Măner anterior	Priekšējais rokturis	Priekinė rankena	Eesmine käepide
Niepowność pomiaru	Nejistota mēreni	Mérés bizonytalansága	Incertitudine a măsurării.	Mērijuma mainīgums	Matmenų paklaida	Mõõtmismääramatus
Poziom emisji hałasu (zgodnie z normą ISO 22868)	Hladina emise hluku (v souladu s ISO 22868)	Hangkibocsátási szint (az ISO 22868 szerint)	Nivel emisie zgomot (în conformitate cu ISO 22868)	Trokšņu emisijas līmenis (saskaņā ar ISO 22868)	Skleidžiamo triukšmo lygis (pagal ISO 22868 standartą)	Helivõimsuse tase (vastavalt standardile ISO 22868)
Poziom ważonego ciśnienia akustycznego w pozycji operatora	Hladina akustického výkonu vážená funkci A v poloze obsluhy	A-súlyozott hangnyomásszint a kezelő helyén	Valoare A nivel presiune zgomot la poziția operatorului	A–novērtējuma skaņas spiediena līmenis operatora darba vietā	A dažnīnės charakteristikos garso slėgio lygis operatoriaus vietoje	A-kaalutud helirõhu tase operatori tōkõhail
Niepowność pomiaru	Nejistota mēreni	Mérés bizonytalansága	Incertitudine a măsurării.	Mērijuma mainīgums	Matmenų paklaida	Mõõtmismääramatus
A-ważony poziom natężenia hałasu	Hladina akustického výkonu vážená funkci A	A-súlyozott hangteljesítményszint	Nivel de putere acustică ponderată A	A-līmeņa skaņas jaudas līmenis	A-svertinis akustinis lygis	A-kaalutud helivõimsuse tase
Niepowność pomiaru	Nejistota mēreni	Mérés bizonytalansága	Incertitudine a măsurării.	Mērijuma mainīgums	Matmenų paklaida	Mõõtmismääramatus





Hrvatski	Slovensko	Slovenčina	България	Українська	
A-ponderirana razina zvučnog tlaka u položaju operatera	A-vrednotena raven zvočnega tlaka na položaju upravljalca	Vážená A hladina akustického tlaku na pozícií operátora	Ниво на шумовото налягане с равнище А на мястото на оператора	А-зважений рівень звукового тиску на місці оператора	
U praznom hodu	Prosti tek	Voľnobeh	На празен ход	На холостому ходу	81.1 dB(A)
U radu	Obremenitev	Beh	Работен режим	робочий режим	96.2 dB(A)
Ekvivalentno	Ekvivalent	Ekvivalentná	Эквивалентно	Еквівалент	93.3 dB(A)
Neodređenost	Negotovost	Neurčitost'	Променливост	Невизначеність	2.5 dB(A)
Ponderirana razina zvučne snage	A-izmerjena raven zvočne moči	Vážená A hladina akustického výkonu	Ниво на силата на шума с равнище А	Рівень потужності шуму з рівнем	
U praznom hodu	Prosti tek	Voľnobeh	На празен ход	На холостому ходу	91.4 dB(A)
U radu	Obremenitev	Beh	Работен режим	робочий режим	110.2 dB(A)
Ekvivalentno	Ekvivalent	Ekvivalentná	Эквивалентно	Еквівалент	107.2 dB(A)
Neodređenost	Negotovost	Neurčitost'	Променливост	Невизначеність	2.5 dB
Za električnu pogonsku glavu (donje vrijednosti mjerene su na pogonskoj glavi RPH1200, RLT1238I, RBC1226I)	Za električno pogonsko glavo (spodnje vrednosti so bile izmerjene s pogonsko glavo RPH1200, RLT1238I, RBC1226I)	Pre elektrický pohon (pod hodnotami nameranými pre pohon RPH1200, RLT1238I, RBC1226I)	За електрическа задвижваща глава	Для електричної силової головки (нижчеказані значення отримані із силовою головою RPH1200, RLT1238I, RBC1226I)	
Nazivna snaga	Omejena moć	Menovitý výkon	Номинална мощност	Номинальна потужність	1200 W
Nazivni napon	Nazivna napetost	Menovité napätie	Номинален волтаж	Номинальна напруга	230 v ~50Hz
Dužina vodičice	Doļižne meća	Dĺžka vodiacej lišty	Дължина на шината	Довжина рейки	250 cm
Zubac lanca	Korak verige	Rozstup reťaze	Стъпка на веригата	Інтенсивність пили	9.5 mm (3/8")
Vrsta lanca	Vrsta verige	Typ reťaze	Тип верига	Тип ланцюга	
Niski profil preskače zub usjeka	Nizkoprofilna ozka zarezna brez zoba	Nizkoprofilový preskok zubu – úzky zárez	Нископрофилни редки зъбци с тесни резки	Вузький пропил з низьким профілем пропуску зубців	
Brzina bez opterećenja lanca	Hitrost verige brez obremenitve	Rýchlosť reťaze bez záťaže	Скорост на веригата в ненатоварено положение	Швидкість холостого ходу ланцюга	15 m/s
Zapremnina spremnika za ulje	Prostornina rezervoarja za gorivo	Objem olejovej nádrže	Обем на резервоара за масло	Об'єм мастила в резервуарі	200 ml
Maksimalna duljina proizvoda u radu	Maksimalna dolžina obdelovanja izdelka	Maximálna pracovná dĺžka produktu	Максимална работна дължина на продукта	Максимална робоча довжина виробу	2.7 m
Težina -S glave snage -Nastavak za obrezivanje drvja	Teža -Z močjo glavo -Prikluček za obrezovanje drvja	Hmotnosť -S napájacím hlavy -Príslušenstvo na kultivátor	Тегло -С мощност главата -Градинска принадлежност - глава за кастрачка	Вага -З силовий головки -Насадки Для Секатор	5.53 kg 2.14 kg
Vibracije (ISO22867):	Vibracije (skladno z ISO 22867):	Vibrácie (podľa normy ISO 22867):	Вибрации (съобразно ISO 22867):	Вібрація (ISO 22867):	
Strážnja ručica	Zadnji ročaj	Zadná rukoväť	Задна ръкохватка	Задня ручка	4.5 m/s²
Prednja ručka	Sprednji ročaj	Predná rukoväť	Предна ръкохватка	Передня ручка	2.8 m/s²
Neodređenost mjerenja	Negotovost meritev	Nespolahlivost' meraní	Несигурност на измерването	Невизначеність вимірювання	1.5 m/s²
Razina emisija buke (u skladu s ISO 22868)	Raven emisij hrupa (v skladu s standardom ISO 22868)	Úroveň emisií hluku (podľa normy ISO 22868)	Ниво на шумовите емисии (в съответствие с ISO 22868)	Рівень шуму (відповідно до ISO 22868)	
A-ponderirana razina zvučnog tlaka u položaju operatera	A-vrednotena raven zvočnega tlaka na položaju upravljalca	Vážená A hladina akustického tlaku na pozícií operátora	Ниво на шумовото налягане с равнище А на мястото на оператора	А-зважений рівень звукового тиску на місці оператора	87.0 dB(A)
Neodređenost mjerenja	Negotovost meritev	Nespolahlivost' meraní	Несигурност на измерването	Невизначеність вимірювання	2.5 dB
Ponderirana razina zvučne snage	A-izmerjena raven zvočne moči	Vážená A hladina akustického výkonu	Ниво на силата на шума с равнище А	А-зважений рівень звукової потужності	100.9 dB(A)
Neodređenost mjerenja	Negotovost meritev	Nespolahlivost' meraní	Несигурност на измерването	Невизначеність вимірювання	1.78 dB





English	Français	Deutsch	Español	Italiano	Nederlands	Português
Replacement parts	Pièces de Rechange	Ersatzteile	Piezas de repuesto	Parti di ricambio	Vervangonderdelen	Peças de substituição
Manufacturer	Fabricant:	Hersteller	Fabricante	Ditta produttrice	Fabrikant	Fabricante
Chain	Chaîne coupante	Kette	Cadena	Catena	Ketting	Corrente
Bar	Guide-chaîne	Schwert	Barra	Barra	Zwaard	Barra

Polski	Čeština	Magyar	Română	Latviski	Lietuviškai	Eesti
Części zamienne	Náhradní díly	Cserealkatrészek	Piese de schimb	Rezerves daļas	Atsarginės detalės	Asendusosad
Producent	Výrobce	Gyártó	Producător	Ražotājs	Gamintojas	Tootja
Przycisk odblokowania spustu-włącznika	Pojistka proti nechtěnému spuštění nářadí	Ravaszkireteszelő gomb	Butonul de deblocare a trăgaciului	Slēdža atbloķēšanas poga	Jungtiklio deblokavimo mygtukas	Päästiku hoob
Prowadnica	Lišta	Láncvezető	Lamă	Sliede	Apsagas	Juhtlatt





Dansk	Svenska	Suomi	Norsk	Русский				
Reserve dele	Utbytesdelar	Varaosat	Erstatningsdeler	Запасные части				
Producent	Tillverkare	Valmistaja	Produsent	Изготовитель	Ryobi	Carlton	Oregon	Tri-link
Gashåndtagets udløserknop	Avtryckarfrigöring	Liipaisimen vapautin	Utløser for gashåndtak	Кнопка разблокировки курка	CSA038 / 5132000062	N4C-BL- 40ESKBTTI	90JG040P	CL143040XPB
Sværd	Stöd	Terälevy	Skinne	Шина	CSA039 / 5132001777	1010N4MH- CUNBBTTI	534652	M1431040- 1041HL

Hrvatski	Slovensko	Slovenčina	България	Українська				
Zamjena dijelova	Nadomestni deli	Náhradné diely	Резервни части	Змінна частина				
Proizvođač	Proizvajalec	Výrobca	Производител	Виробник	Ryobi	Carlton	Oregon	Tri-link
Blokada otponca	Sprožilni gumb	Západka plynovej páčky	Бутон за блокиране на пусковия лост	Ланцюг	CSA038 / 5132000062	N4C-BL- 40ESKBTTI	90JG040P	CL143040XPB
Vodilica	Meč	Lišta	Шина	Штанга	CSA039 / 5132001777	1010N4MH- CUNBBTTI	534652	M1431040- 1041HL





EN Vibration level

The declared vibration value has been measured with a standard test method and may be used to compare one tool with another.

The declared vibration value may be used in a preliminary assessment of exposure. The vibration emission during actual use of power tool can differ from the declared total value depending on the ways in which the tool is used.

Identify safety measures to protect yourself based on an estimation of exposure in the actual conditions of use, taking account of all parts of the operating cycle such as the times when the tool is switched off and when it is running idle in addition to the trigger time.

FR Niveau de vibrations

La valeur déclarée totale des vibrations a été mesurée selon une méthode de test standardisée qui peut être utilisée pour comparer un outil avec un autre.

La valeur déclarée totale des vibrations peut également être utilisée pour évaluer par avance le niveau d'exposition.

La valeur des vibrations réellement produites durant l'utilisation de l'outil électrique peuvent différer de la valeur totale déclarée, en fonction de la manière dont l'outil est utilisé.

Identifiez les mesures de sécurité à prendre pour vous protéger, sur la base d'une estimation de l'exposition réelle, en tenant compte de tous les éléments du cycle d'utilisation tels que le temps d'arrêt de l'outil et le temps de son fonctionnement au ralenti, en plus du temps de fonctionnement normal.

DE Vibrationsgrad

Der angegebene Vibrationswert wurde durch eine Standard-Testmethode ermittelt und kann dazu verwendet werden, ein Werkzeug mit einem anderen zu vergleichen. Der angegebene Vibrationswert kann für eine Vorabbeurteilung der Exponierung herangezogen werden.

Die Vibrationsemissionen bei der tatsächlichen Benutzung von Elektrowerkzeugen kann sich, abhängig von der Art der Benutzung des Werkzeugs, von dem genannten Wert unterscheiden.

Identifizieren Sie aufgrund einer Einschätzung der Exponierung unter tatsächlichen Einsatzbedingungen Maßnahmen zum eigenen Schutz, unter Berücksichtigung aller Bestandteile des Betriebszyklus, wie die Zeiten zu denen das Werkzeug ausgeschaltet ist, und zu denen es sich zusätzlich zu den Auslösezeitpunkten im Leerlauf befindet.

ES Nivel de vibración

El valor declarado de vibraciones se ha medido con un método de prueba estándar y puede utilizarse para comparar una herramienta con otra.

El valor declarado de vibraciones puede utilizarse en una evaluación preliminar de exposición.

La emisión de las vibraciones durante el uso real de la herramienta eléctrica puede diferir del valor total declarado según el uso que se le dé a la herramienta. Identifique las medidas de seguridad para protegerse en base a una estimación de la exposición en las condiciones reales de uso, teniendo en cuenta todas las partes del ciclo de funcionamiento, como los tiempos en que la herramienta está apagada y cuando está en ralentí, además del tiempo de activación.

IT Livello di vibrazioni

Il valore delle vibrazioni dichiarato deve essere misurato con un metodo di test standard e può essere utilizzato per paragonare un utensile a un altro.

Il valore dichiarato delle vibrazioni può essere utilizzato nella valutazione preliminare dell'esposizione.

L'emissione delle vibrazioni durante l'utilizzo dell'utensile può essere diversa dal valore totale dichiarato a seconda dei modi in cui l'utensile viene utilizzato.

Individuare misure di sicurezza per proteggersi basate su una stima dell'esposizione nelle attuali condizioni di utilizzo, prendendo in considerazione tutte le parti del ciclo operativo come i tempi in cui l'utensile viene spento o quando funziona al minimo oltre al tempo di attivazione.

NL Trillingsniveau

De aangegeven trillingswaarde werd gemeten met behulp van een standaard testmethode en kan worden gebruikt om gereedschap met elkaar te vergelijken.

De aangegeven trillingswaarde kan worden gebruikt in een voorlopige blootstellingsanalyse.

De trillingsemissie tijdens het gebruik van het werktuig kan verschillen van de aangegeven totale waarde, afhankelijk van de manier waarop het werktuig wordt gebruikt.

Neem veiligheidsmaatregelen om uzelf te beschermen op basis van een inschatting van de blootstelling in de huidige gebruiksomstandigheden, rekening houdend met alle onderdelen van de bedrijfscyclus, zoals de tijd dat het werktuig wordt uitgeschakeld en het stationair draait, bovenop de bedrijfstijd.

PT Nivel de vibração

O valor de vibração declarado foi medido com um método de teste padrão e pode ser usado para comparar uma ferramenta com outra.

O valor de vibração declarado pode ser utilizado numa avaliação preliminar da exposição.

A emissão das vibrações durante o uso real da ferramenta eléctrica pode diferir do valor total declarado segundo o uso que se der à ferramenta.

Identifique as medidas de segurança para se proteger com base numa estimativa de exposição nas actuais condições de uso, tendo em conta todas as peças do ciclo de funcionamento, como as vezes que a ferramenta é desligada e quando está a trabalhar em ralentí para além do tempo de gatilho.

DA Vibrationsniveau

Den erklærede vibrationsværdi er målt i henhold til en standard-testmetode og kan bruges til at sammenligne forskellige værktøjer indbyrdes.

Den erklærede vibrationsværdi kan bruges som en foreløbig vurdering af eksponeringen.

Vibrationsemissionen ved praktisk brug af elværktøjet kan variere fra den erklærede totalværdi, alt efter hvordan værktøjet anvendes.

Træf passende sikkerhedsforanstaltninger for at beskytte dig selv ud fra den skønnede eksponering for risici under de aktuelle anvendelsesforhold, hvor du - ud over den effektive arbejdstid - også tager højde for de varierende perioder, som fx når værktøjet er slukket, og når det kører i tomgang.





SV Vibrationsnivå

Det angivna vibrationsvärdet har uppmätts med en standardmetod och kan användas för att jämföra med andra kraftverktyg.

Det angivna vibrationsvärdet kan användas i en preliminär analys av vibrationerna som användaren utsätts för.

De vibrationer som uppstår vid användningen av el-verktyget kan skilja sig från det uppgivna totalvärdet beroende på det sätt som verktyget används på.

Vidtag säkerhetsåtgärder för ditt personliga skydd utifrån den exponering som sker under användningen, ta hänsyn till all användning som då verktyget är avstängt och när det går på tomgång förutom den faktiska brukstiden.

PL Poziom drgań

Deklarowany poziom drgań został zmierzony za pomocą standardowej metody pomiaru i jego wyniki mogą służyć do porównywania tego urządzenia z innymi. Deklarowana wartość drgań może służyć do wstępnej oceny narażenia operatora na wibracje.

Emisja drgań podczas użytkowania elektronarzędzi może różnić się od zadeklarowanej wartości, w zależności od sposobu użytkowania urządzenia.

Określić zasady bezpieczeństwa, oparte na oszacowaniu narażenia operatora w rzeczywistych warunkach użytkowania, uwzględniając wszystkie elementy cyklu operacyjnego, takie jak czasy wyłączenia oraz czasy pracy bez obciążenia, oprócz czasu pracy przy wciśniętym przycisku uruchamiania.

FI Tärinätaso

Ilmoitettu tärinäarvo on mitattu tavallisin testimenetelmin, ja sitä voidaan käyttää verrattaessa laitetta toiseen.

Ilmoitettua tärinäarvoa voidaan käyttää arvioitaessa tärinävaikutusta.

Sähkötyökälun todellisen käytön aikainen tärinä saattaa poiketa ilmoitetusta kokonaisarvosta, laitteen käyttötavasta riippuen.

Määritä käyttäjän suojakeinot, jotka perustuvat todellisten käyttöolosuhteiden tärinävaikutusarvioon, ottaen huomioon kaikki käyttöjakson osat, kuten ajan, jonka laite on sammuksissa ja käy tyhjäkäynnillä, varsinaisen sahausajan lisäksi.

CS Úroveň vibrací

Uznaná hodnota vibrací byla naměřena pomocí standardního testovacího postupu a lze ji použít k porovnání s jiným nástrojem.

Uznaná hodnota vibrací se může používat k předběžnému odhadu vystavování vibracím.

Aktuální hodnoty vibrací během používání nástroje se mohou lišit od výše uvedených a mohou se lišit dle použitého nástroje.

Určete bezpečnostní opatření pro vlastní ochranu, která jsou založena na odhadu vystavení v aktuálních podmínkách používání, popisu všech částí pracovního cyklu jako doby, kdy je nástroj vypnut a když běží naprázdno, kromě doby spuštění.

NO Vibrasjonsnivå

Den oppgitte vibrasjonsverdien er målt med en standard testmetode og kan benyttes for å sammenligne ett verktøy med et annet.

Den oppgitte vibrasjonsverdien kan benyttes for en foreløpig angivelse av eksponering.

Vibrasjonene ved faktisk bruk av et elektrisk verktøy kan skille seg fra oppgitte totalverdier avhengig av måten verktøyet brukes på.

Identifiser sikkeringstiltak som beskytter deg selv, basert på et anslag for eksponering i den faktiske brukssituasjonen der man tar hensyn til alle brukssykluse, som tidspunktet da maskinen ble slått av og når den går på tomgang i tillegg til tiden når verktøyet arbeider.

HU Vibrációs szint

A megadott vibrációs érték szabványos tesztmódszerrel lett meghatározva, és két szerszám összehasonlításakor is használható.

A megadott vibrációs érték a vibrációnak való kitettség előzetes becsüléséhez is felhasználható.

A vibráció-kibocsátás a szerszámgép tényleges használat során eltérhet a nyilatkozatban szereplő teljes értéktől; ez függ a gép használatának módjától.

Határozza meg a saját védelméért szolgáló övintézkedéseket az adott használati körülmények között érvényes kitettség felmérésével, figyelembe véve a használat teljes időtartamát, vagyis beleértve azokat az időszakokat, amikor a gép ki van kapcsolva, vagy bekapcsolt állapotban üresjáratban működik.

RU Уровень вибрации

Заявленная величина вибрации измерялась в соответствии со стандартной методикой проведения испытаний и может использоваться для сравнения одного инструмента с другим.

Заявленная величина вибрации может использоваться при предварительной оценке характеристик.

Уровень вибрации при работе электронного инструмента может отличаться от заявленной общей величины вибрации в зависимости от условий его использования.

Выберите средства защиты оператора с учетом реальных условий эксплуатации, принимая во внимание все факторы рабочего цикла, такие как время, в течение которого инструмент был выключен, и время его работы в холостом режиме.

RO Nivelul vibrațiilor

Valoarea declarată a vibrațiilor a fost măsurată cu o metodă de testare standard și poate fi utilizată pentru a compara o unealtă cu alta.

Valoarea declarată a vibrațiilor poate fi utilizată într-o evaluare preliminară a expunerii.

Emisia de vibrații în timpul folosirii efective a unelei electrice poate diferi de valoarea totală declarată în funcție de modulele în care este utilizată unealta.

Identificați măsurile de siguranță pentru a vă proteja, pe baza estimării expunerii la condițiile efective de utilizare, luând în considerare toate etapele ciclului de operare, precum momentele în care unealta este oprită și atunci când funcționează în gol, suplimentar momentului declanșării.





LV Vibrācijas līmenis

Nosauktais vibrācijas līmenis ir ticis izmērīts ar standarta pārbaudes metodi un var tikt izmantots, lai salīdzinātu vienu instrumentu ar citu.

Nosauktā vibrācijas vērtība var tikt izmantota sākotnējās iedarbības novērtējumam.

Elektroinstrumenta vibromesija reālā darba laikā var atšķirties no norādītās kopējās vērtības atkarībā no veidiem, kā instruments tiek lietots.

Nosakiet drošības pasākumus, lai sevi aizsargātu, balstoties uz saskares ilguma novērtējumu atbilstoši lietošanas apstākļiem, ņemot vērā visas lietošanas cikla daļas, tostarp laikus, kad instruments tiek izslēgts un kad tas darbojas tukšgaitā papildus darbināšanas laikam.

LT Vibracijos lygis

Deklaruotas vibracijos lygis yra išmatuotas standartinio testo metu ir gali būti naudojamas vieno įrankio su kitu palyginimui.

Deklaruotas vibracijos lygis gali būti naudojamas preliminariam pavojaus įvertinimui.

Elektrinio įrankio naudojimo metu vibracijos lygis gali skirtis nuo deklaruotos bendrosios vertės pagal įrankio naudojimo būdus.

Nustatykite saugumo priemones, kad apsisaugotumėte, kurios pagrįstos pavojaus įvertinimu pačiose naudojimo sąlygose, atkreipiant dėmesį į visas darbo ciklo dalis, pvz. laikotarpį, kai įrankis yra išjungtas ir kai veikia tuščiaja eiga bei perjungimo laiką.

ET Vibratsioonitase

Deklareeritud vibratsiooniväärtus on mõõdetud standardse testimismetodiga ja seda võib kasutada tööriistade omavaheliseks võrdlemiseks.

Deklareeritud vibratsiooniväärtust võib kasutada mürataseme eelhindamiseks.

Olenevalt seadme kasutusviisist võib mehaanilise tööriista töötamisel ilmneva vibratsioonimissiooni, mille suurus erineb deklareeritud väärtustest.

Kasutaja kaitsmiseks seadmega töötamisel tuleb kindlaks teha turvameetmed, mis põhinevad tegelikes kasutustingimustes esinevale vibratsioonile, sealjuures tuleb arvesse võtta kõiki töötsükli osi, lisaks sisselülitatud olekule näiteks ka vibratsiooni väljalülitamise ajal ja tühikäigul.

HR Razina vibracije

Objavljena vrijednost vibracija je izmjerena standardnom metodom testiranja i može se koristiti za usporedbu jednog alata s drugim.

Objavljena vrijednost vibracija može se koristiti u početnom usklađivanju izloženosti.

Razina vibracija tijekom trenutačne uporabe AKU alata može se razlikovati od deklarirane ukupne vrijednosti ovisno o načinima na koje se alat koristi.

Identificirajte sigurnosne mjere za svoju zaštitu na temelju procjene izloženosti u trenutim uvjetima korištenja, uzevši u obzir sve dijelove radnog ciklusa kao što su vrijeme kada je alat isključen i kada je pokrenut u praznom hodu u dodatku vremenu pokretanja.

SL Raven vibracij

Navedena vrednost vibracij je bila izmerjena s standardno metodo testiranja in se lahko uporabi za primerjavo različnih orodj.

Navedena vrednost vibracij se lahko uporabi za predhodne ocene izpostavljenosti.

Emisije med dejansko uporabo električnega orodja se od navedene vrednosti lahko razlikujejo, odvisno od načina, kako se orodje uporablja.

Ugotovite varnostne ukrepe za zaščito upravljalca, ki temeljijo na oceni izpostavljenosti v dejanskih pogojih uporabe, pri tem pa je treba upoštevati vse dele delovnega cikla – npr. ko je orodje izključeno in ko je v prostem teku in čas zagona.

SK Úroveň vibrácií

Deklarovaná hodnota vibrácií bola meraná podľa štandardnej testovacej metódy a možno ju používať na porovnanie jedného nástroja s iným.

Deklarovaná hodnota vibrácií sa dá použiť aj v predbežnom odhade expozície.

Úroveň emisií počas samotného používania elektrického nástroja sa môže líšiť od deklarovanej celkovej hodnoty v závislosti od toho, ktorý nástroj sa používa.

Identifikujte bezpečnostné opatrenia na vašu ochranu ne základe posúdenia skutočných podmienok použitia, pričom vezmite do úvahy všetky časti prevádzkového cyklu, napríklad časov, kedy je nástroj vypnutý a kedy pracuje na voľnobehu okrem času spúšťania.

BG Ниво на вибрация

Посочената стойност за вибрациите е измерена с помощта на стандартен тест и може да се използва за сравнение с друг инструмент.

Посочената стойност за вибрациите може да бъде използвана в предварително оценяване за излагане на вибрация.

Вибрациите по време на действителната употреба на електромеханичния инструмент може да се различават от обявената обща стойност в зависимост от начините, по които се използва инструментът.

Определете мерки за безопасност за собствена защита според преценка за излагането на вибрация в реални условия, като се вземат предвид всички елементи на работния цикъл, като например времето, в което инструментът е изключен и когато работи на празен ход, както и времето за задействане.

UK Рівень вібрації

Оголошена цінність вібрації було виміряно за допомогою стандартного методу випробування і може бути використаний для порівняння одного інструмента з іншим.

Він може бути використаний для попередньої оцінки впливу.

Вібраційного впливу при використанні електроінструменту може відрзнятися від заявленого загальної вартості залежно від способів, в яких використовується інструмент.

Визначити заходи безпеки, щоб захистити себе на основі оцінки впливу в реальних умовах використання, з урахуванням всіх частин робочого циклу, такі як час, коли інструмент вимкнений, і коли він працює в холостому режимі на додаток до часу запуску.



EN GUARANTEE

In addition to any statutory rights resulting from the purchase, this product is covered by a guarantee as stated below.

1. The guarantee period is 24 months for consumers and commences on the date when the product was purchased. This date has to be documented by an invoice or other proof of purchase. The product is designed and dedicated to consumer and private use only. So there is no guarantee provided in case of professional or commercial use.
2. There is, in some cases (i.e. promotion, range of tools), a possibility to extend the warranty period over the period described above using the registration on the www.ryobitools.eu website. The eligibility of the tool is clearly displayed in stores and/or on packaging. The end user needs to register his/her newly-acquired tools online within 8 days from the date of purchase. The end user may register for the extended warranty in his country of residence if listed on the online registration form where this option is valid. Furthermore, end users must give their consent to the storage of the data which are required to enter online and they have to accept the terms and conditions. The registration confirmation receipt, which is sent out by e-mail, and the original invoice showing the date of purchase will serve as proof of the extended warranty. Your statutory rights remain unaffected.
3. The guarantee covers all defects of the product during the warranty period due to defaults in workmanship or material at the purchase date. The guarantee is limited to repair and/or replacement and does not include any other obligations including but not limited to incidental or consequential damages. The warranty is not valid if the product has been misused, used contrary to the instruction manual, or being incorrectly connected. This guarantee does not apply to
 - any damage to the product that is the result of improper maintenance
 - any product that has been altered or modified
 - any product where original identification (trade mark, serial number) markings have been defaced, altered or removed
 - any damage caused by non-observance of the instruction manual
 - any non CE product
 - any product which has been attempted to be repaired by an non-qualified professional or without prior authorization by Techtronic Industries
 - any product connected to improper power supply (amps, voltage, frequency)
 - any product used with inappropriate fuel mixture (fuel, oil, percentage of oil)
 - any damage caused by external influences (chemical, physical, shocks) or foreign substances
 - normal wear and tear of spare parts
 - inappropriate use, overloading of the tool
 - use of non-approved accessories or parts
 - carburettor after 6 months, carburettor adjustments after 6 months
 - components (parts and accessories) subject to natural wear and tear, including but not limited to bump knobs, drive belts, clutch, blades of hedge trimmers or lawn mowers, harness, cable throttle, carbon brushes, power cord, tines, felt washers, hitch pins, blower fans, blower and vacuum tubes, vacuum bag and straps, guide bars, saw chains, hoses, connector fittings, spray nozzles, wheels, spray wands, inner reels, outer spools, cutting lines, spark plugs, air filters, gas filters, mulching blades, etc.
4. For servicing, the product must be sent or presented to a RYOBI authorized service station listed for each country in the following list of service station addresses. In some countries your local RYOBI dealer undertakes to send the product to the RYOBI service organisation. When sending a product to a RYOBI service station, the product should be safely packed without any dangerous contents such as petrol, marked with sender's address and accompanied by a short description of the fault.
5. A repair/replacement under this guarantee is free of charge. It does not constitute an extension or a new start of the guarantee period. Exchanged parts or tools become our property. In some countries delivery charges or postage will have to be paid by the sender.
6. This guarantee is valid in the European Community, Switzerland, Iceland, Norway, Liechtenstein, Turkey and Russia. Outside these areas, please contact your authorized RYOBI dealer to determine if another warranty applies.

AUTHORISED SERVICE CENTRE

To find an authorised service centre near you, visit <http://uk.ryobitools.eu/header/service-and-support/service-agents>.

FR GARANTIE

En plus des droits statutaires liés à l'achat, ce produit est couvert par une garantie telle que décrite ci-dessous.

1. La durée de la garantie accordée au consommateur est de 24 mois à partir de la date d'achat. Cette date doit être authentifiée par une facture ou tout autre preuve d'achat. Le produit a été conçu en vue d'une utilisation strictement privée. Aucune garantie ne s'applique donc en cas d'utilisation professionnelle ou commerciale.
2. Il existe, dans certains cas (par exemple promotion, gamme d'outils), une possibilité d'étendre la période de garantie au-delà de la période précédemment décrite en utilisant le formulaire d'enregistrement présent sur le site Internet www.ryobitools.eu. L'éligibilité d'un outil est clairement affichée dans les points de vente et/ou sur l'emballage. L'utilisateur final doit enregistrer son/ses outil(s) nouvellement acheté(s) en ligne dans les 8 jours qui suivent la date d'achat. L'utilisateur a la possibilité de s'enregistrer pour l'extension de garantie dans son pays de résidence si celui-ci est listé dans le formulaire d'enregistrement en ligne où cette option est valide. L'utilisateur final doit donner son consentement pour l'enregistrement des données requises pour accéder au site et doit accepter les termes et conditions. La confirmation d'enregistrement, envoyée par courrier électronique, ainsi que la facture originale mentionnant la date d'achat serviront de preuve de l'extension de garantie. Vos droits statutaires restent inchangés.
3. La garantie couvre les défauts des pièces et de main d'oeuvre du produit pendant la période de garantie à partir de la date d'achat. La garantie n'inclut aucune autre obligation, tel que, mais sans s'y limiter, les dommages accessoires ou indirects. La garantie est non valable en cas de mauvaise utilisation du produit, d'utilisation contraire aux instructions du mode d'emploi, ou en cas de branchement incorrect. Cette garantie ne s'applique pas pour :
 - tout dommage au produit résultant d'un mauvais entretien
 - tout produit ayant été altéré ou modifié
 - tout produit dont les marquages originaux d'identification (marque, numéro de série) ont été dégradés, altérés ou retirés
 - tout dommage causé par le non-respect des instructions du mode d'emploi
 - tout produit non CE
 - tout produit ayant subi une tentative de réparation par du personnel non qualifié ou sans autorisation préalable de Techtronic Industries
 - tout produit raccordé à une alimentation secteur non conforme (ampérage, voltage, fréquence)
 - tout produit utilisé avec un mélange inapproprié (essence, huile, pourcentage d'huile)
 - tout dommage causé par des influences extérieures (chimiques, physiques, chocs) ou par des substances étrangères
 - l'usure normale des pièces consommables
 - une utilisation inappropriée, une surcharge de l'outil
 - l'utilisation de pièces ou accessoires non agréés
 - les carburateurs après plus de 6 mois à compter de la date d'achat, également les réglages du carburateur après plus de 6 mois à compter de la date d'achat
 - les composants (pièces et accessoires) sujets à une usure naturelle, incluant de façon non exhaustive les têtes de fil à frapper, les courroies de transmission, les embrayages, les lames des taille-haies ou des tondeuses à gazon, les harnais, les câbles d'accélérateur, les charbons, les cordons d'alimentation, les fraises de cultivateurs, les rondelles feutre, les goupilles de fraise, les turbines et lame de broyage des souffleurs, les tubes de soufflage et d'aspiration des souffleurs, les sacs de souffleurs et leurs lanières, les guides-chaîne, les chaînes de tronçonneuses, les tuyaux et raccords, les buses et lances de nettoyeurs haute pression, les roues, les recharges de fil des têtes de coupe, les têtes de coupe, le fil de coupe, les bougies d'allumage, les filtres à air, les filtres à essence, etc.
4. Si le produit doit être réparé, envoyez-le à un service après-vente agréé RYOBI dont vous trouverez ci-dessous la liste pour chaque pays. Dans certains pays, votre revendeur RYOBI se chargera d'envoyer le produit à un centre de réparation RYOBI. Lorsque vous envoyez un produit à un service après-vente RYOBI, celui-ci doit être correctement emballé, sans contenir aucun produit dangereux tel que de l'essence, et vous devez indiquer votre adresse ainsi qu'une courte description du problème.
5. Une réparation / un remplacement sous garantie est gratuit(e). Ceci ne constituera pas une extension de garantie ni un nouveau départ de la période de garantie. Les pièces ou les outils remplacés deviennent notre propriété. Dans certains pays, les frais de port devront être assumés par l'expéditeur.
6. Cette garantie est valable au sein de l'Europe, de la Suisse, de l'Islande, de la Norvège, du Liechtenstein, de la Turquie, de la Russie. En dehors de ces zones, veuillez contacter votre distributeur agréé RYOBI pour déterminer si une autre garantie s'applique.

SERVICE APRÈS-VENTE AGRÉÉ

Pour trouver le service après-vente agréé le plus proche, rendez-vous sur <http://fr.ryobitools.eu/header/service-and-support/service-agents>.

DE GARANTIE

Zusätzlich zu den aufgrund des Kaufs entstehenden gesetzlichen Rechten, ist dieses Produkt von der unten aufgeführten Garantie abgedeckt.

- Die Garantiezeit für Endverbraucher beträgt 24 Monate für und beginnt ab dem Kaufdatum des Produktes. Dieses Datum muss durch eine Rechnung oder einen anderen Kaufbeleg dokumentiert sein. Das Produkt ist ausschließlich für den Privatgebrauch entwickelt und bestimmt. Deshalb wird keine Garantie im Fall von professionellem oder kommerziellem Einsatz angeboten.
- In einigen Fällen (z.B. Promotion, auf eine bestimmte Produktpalette oder auf bestimmte Produkte begrenzt) besteht die Möglichkeit die Garantiezeit über den oben genannten Zeitraum, durch Registrierung auf der Webseite www.ryobitools.eu, zu verlängern. Der verlängerte Garantieanspruch für ein bestimmtes Produkt wird deutlich in den Geschäften und/oder auf der Verpackung des Produktes gezeigt. Der Endverbraucher muss seine neu gekauften Produkte innerhalb von 8 Tagen ab Kaufdatum registrieren. Der Endverbraucher kann sich für die erweiterte Garantie im Land seines permanenten Wohnsitzes registrieren, wenn diese Möglichkeit in dem Online-Formular gegeben ist. Des weiteren müssen die Endverbraucher ihr Einverständnis zur Speicherung der online angegebenen Daten geben und die Geschäftsbedingungen annehmen. Die per E-Mail verschickte Bestätigung der Registrierung und die Originalrechnung mit Kaufdatum dienen als Nachweis für die verlängerte Garantie. Ihre gesetzlichen Rechte bleiben unangetastet.
- Die Garantie deckt während der Garantiezeit ab Kaufdatum alle Produktmängel aufgrund von Material- oder Herstellungsmängeln ab. Diese Garantie ist auf Reparatur und/oder Ersatz beschränkt und enthält keine weitere Verpflichtungen einschließlich aber nicht beschränkt auf beiläufige oder resultierende Schäden. Die Garantie ist nicht gültig, wenn das Produkt missbräuchlich oder entgegen der Bedienungsanleitung benutzt, oder falsch angeschlossen wurde. Diese Garantie gilt nicht für:
 - Jegliche Schäden die an dem Produkt aufgrund falscher Wartung entstehen.
 - Jedes Produkt das verändert oder modifiziert wurde.
 - Jedes Produkt an dem die originale Identifizierung (Markenzeichen, Seriennummer) verunstaltet, verändert oder entfernt wurden.
 - Jede Beschädigung die durch Nichtbeachtung der Bedienungsanleitung verursacht wurde.
 - Jedes Produkt ohne CE Zeichen.
 - Jedes Produkt das von einer unqualifizierten Person oder ohne vorherige Genehmigung von Techtronic Industries versucht wurde zu reparieren.
 - Jedes Produkt das an eine falsche Stromversorgung (Ampere, Spannung, Frequenz) angeschlossen wurde.
 - Jedes Produkt das mit einer falschen Treibstoffmischung (Treibstoff, Öl, Prozentanteil von Öl) betrieben wurde.
 - Jede Beschädigung die von äußeren Einflüssen (chemisch, physisch, Stöße) oder fremden Substanzen verursacht wurde.
 - Normaler Verschleiß und Abnutzung von Ersatzteilen.
 - Zweckwidrige Benutzung, Überlastung des Werkzeugs.
 - Benutzung von nicht zugelassenem Zubehör oder Teilen.
 - Den Vergaser nach 6 Monaten, die Vergasereinstellung nach 6 Monaten.
 - Teile (Teile und Zubehörteile) die normalem Verschleiß unterliegen, einschließlich aber nicht beschränkt auf Fadenköpfe, Antriebsriemen, Kupplungen, Klingen von Heckenschneidern oder Rasenmähern, Gurtzeug, Gaszügen, Kohlebürsten, Netzkabel, Zinken, Filzunterlegscheiben, Anhangsstifte, Gebläse, Gebläse- und Saugschläuche, Saugbeutel und Riemen, Führungsschienen, Sägeketten, Schläuche, Anschlüsse, Sprühdüsen, Räder, Sprühdüsen, innere Rollen, äußere Spulen, Schneidfäden, Zündkerzen, Luftfilter, Treibstofffilter, Mulchmesser usw.
- Zur Wartung muss das Produkt eingeschickt werden oder einem für jedes Land in der folgenden Liste aufgeführten autorisierten RYOBI Kundendienst gebracht werden. In einigen Ländern schickt Ihr örtlicher RYOBI Händler das Produkt an den RYOBI Kundendienst. Wenn ein Produkt an den RYOBI Kundendienst geschickt wird, sollte es sicher verpackt werden, ohne gefährlichen Inhalt, wie Treibstoff, mit der Absenderadresse versehen sein und eine kurze Beschreibung des Fehlers enthalten.
- Reparatur/Ersatz unter dieser Garantie sind kostenfrei. Das stellt keine Verlängerung oder Neustart der Garantiezeit dar. Ausgewechselte Teile oder Werkzeuge treten in unseren Besitz über. In einigen Ländern müssen Lieferkosten oder Postgebühren von dem Absender getragen werden.
- Diese Garantie gilt in der Europäische Gemeinschaft, Schweiz, Island, Norwegen, Liechtenstein, Türkei und Russland. Bitte kontaktieren Sie Ihren autorisierten RYOBI-Händler, um herauszufinden ob eine andere Gewährleistung außerhalb dieser Gebiete gültig ist.

AUTORISIERTER KUNDENDIENST

Besuchen Sie <http://de.ryobitools.eu/header/service-and-support/service-agents>, um einen autorisierten Kundendienst in Ihrer Nähe zu finden.

ES GARANTÍA

Además de cualquier derecho estatutario derivado de la compra, este producto está cubierto con la siguiente garantía.

- El período de garantía es de 24 meses para los consumidores y comienza a partir de la fecha de compra del producto. Esta fecha debe demostrarse con una factura u otra prueba de compra. El producto está diseñado y destinado al consumidor y únicamente para uso privado. Por tanto, no se ofrece ninguna garantía en caso de uso profesional o comercial.
- En algunos casos (como promociones o un conjunto de herramientas) existe la posibilidad de ampliar el período de garantía hasta el período descrito anteriormente mediante el registro en el sitio web www.ryobitools.eu. La elegibilidad de la herramienta se muestra claramente en las tiendas o en el embalaje. El usuario final debe registrar sus herramientas recién adquiridas en línea en los 8 días siguientes a la fecha de compra. El usuario final podrá registrarse para ampliar la garantía en su país de residencia si éste aparece en el formulario de registro en línea en que esta opción es válida. Además, los usuarios finales deben dar su consentimiento para que se guarden los datos que se solicitan para entrar en línea y aceptar los términos y condiciones. El recibo de la confirmación de registro, se will enviará por correo electrónico, y la factura original que muestre la fecha de compra servirán como prueba de la ampliación de la garantía. Sus derechos estatutarios permanecerán intactos.
- La garantía cubre, durante el período de garantía, todos los defectos del producto que se deban a fallos de la mano de obra o a fallos del material en la fecha de compra. La garantía tiene un límite de reparación o sustitución y no incluye ninguna otra obligación se deba a, aunque sin limitarse a ello, daños accidentales o incidentales. La garantía no es válida si se ha hecho un uso inadecuado del producto, si no se ha usado siguiendo el manual de instrucciones o si se ha conectado incorrectamente. Esta garantía no se aplica a:
 - cualquier daño del producto derivado de un mantenimiento inadecuado
 - cualquier producto que haya sido alterado o modificado
 - cualquier producto en el que las marcas de identificación originales (marca comercial, número de serie) hayan sido borradas, modificadas o eliminadas
 - cualquier daño causado por el incumplimiento del manual de instrucciones
 - cualquier producto que no sea CE
 - cualquier producto que haya intentado reparar un profesional no cualificado o sin una autorización previa de Techtronic Industries
 - cualquier producto conectado a un suministro eléctrico inadecuado (amperios, tensión, frecuencia)
 - cualquier producto utilizado con una mezcla de combustible inadecuada (combustible, aceite, porcentaje de aceite)
 - cualquier daño causado por influencias externas (de productos químicos, daños físicos, descarga eléctrica) o sustancias extrañas
 - desgaste o rotura normal de las piezas de repuesto
 - uso inadecuado, sobrecarga de la herramienta
 - uso de accesorios o piezas no homologados
 - carburador después de 6 meses, ajustes del carburador después de 6 meses
 - componentes (piezas y accesorios) sujetos a un desgaste o rotura natural, incluyendo, aunque sin limitarse a ello, las perillas de las bombas, correas de transmisión, embrague, cuchillas de cortasetos o cortacéspedes, arnés, acelerador, escobillas de carbón, cable de alimentación, horquillas, arandelas de fieltro, pasadores de enganche, ventiladores, tubos de ventilador y de vacío, correas y bolsas de vacío, barras de guía, sierras de cadena, mangueras, accesorios de conexión, boquillas pulverizadoras, ruedas, varas rioradoras, carretes interiores y exteriores, hilos de corte, bujías, filtros de aire, filtros de gas, cuchillas de trituración, etc.
- Para el servicio, el producto debe enviarse o entregarse en un punto de servicio técnico autorizado RYOBI enumerado para cada país en la siguiente lista de direcciones de servicio técnico. En algunos países su distribuidor local RYOBI se encarga de enviar el producto a la organización del servicio de RYOBI. Al enviar un producto a un punto de servicio técnico RYOBI, el producto debe embalarse de forma segura sin que contenga ninguna sustancia peligrosa como petróleo, debe llevar la dirección del remitente e ir acompañado de una breve descripción del fallo.
- Una reparación/sustitución dentro de esta garantía se realiza de forma gratuita. No constituye una ampliación ni un reinicio del período de garantía. Las piezas o herramientas que se cambian pasan a ser de nuestra propiedad. En algunos países los gastos de envío o del franqueo deberá pagarlos el remitente.
- Esta garantía es válida en la Comunidad Europea, Suiza, Islandia, Noruega, Liechtenstein, Turquía y Rusia. Fuera de estas zonas, póngase en contacto con su distribuidor autorizado RYOBI para determinar si se aplica otra garantía.

SERVICIO TÉCNICO AUTORIZADO

Para encontrar el servicio técnico autorizado más cercano, visite <http://uk.ryobitools.eu/header/service-and-support/service-agents>.

IT GARANZIA

Oltre ai legittimi diritti derivanti dall'acquisto del prodotto, quest'ultimo è coperto da garanzia come indicato nei seguenti punti.

1. Il periodo di garanzia per il consumatore è di 24 mesi ed ha inizio dalla data in cui il prodotto è stato acquistato. Questa data deve essere documentata da una ricevuta o da altra prova d'acquisto. Il prodotto è stato disegnato e progettato solo per l'utilizzo privato del consumatore. La garanzia viene invalidata in caso di utilizzo professionale o commerciale.
2. In alcuni casi (per esempio promozioni e gamme di prodotti) esiste la possibilità di estendere il periodo di garanzia oltre il periodo indicato sopra registrandosi sul sito web www.ryobitools.eu. L'idoneità del prodotto a rievolvere tale estensione viene indicata chiaramente nei punti vendita e/o sull'imballo. L'utente finale deve registrare il suo prodotto appena acquistato online entro 8 giorni dalla data d'acquisto. L'utente finale può accedere all'offerta nel suo paese quando la stessa è valida e qualora si sia registrato online. Inoltre, gli utenti finali devono dare il proprio consenso all'archiviazione dei dati che si inseriscono online indicando che i termini e le condizioni sono stati accettati. La ricezione della conferma della registrazione verrà inviata via email e la fattura originale indicante la data d'acquisto verrà utilizzata come prova della garanzia estesa. I diritti legittimi dell'utente rimarranno invariati.
3. La garanzia copre tutti i difetti di fabbricazione del prodotto durante il periodo di garanzia a causa di guasti di fabbricazione o di materiale alla data di acquisto. La garanzia è limitata alla riparazione e/o alla sostituzione e non include altri obblighi compreso ma non limitato a danni incidentali o consequenziali. La garanzia non è valida se il prodotto non è stato utilizzato come indicato nel manuale di istruzioni o se è stato collegato in maniera non corretta. La garanzia non si applica a:
 - qualsiasi danno al prodotto che sia il risultato di una scorretta manutenzione
 - qualsiasi prodotto che sia stato alterato o modificato
 - qualsiasi prodotto sul quale l'identificazione originale (marchio registrato, numero di serie) sia stata resa illegibile, sia stata danneggiata o alterata
 - qualsiasi danno causato dalla non osservanza del manuale d'istruzioni
 - qualsiasi prodotto non contrassegnato con il marchio CE
 - qualsiasi prodotto che una persona non qualificata abbia tentato di riparare o che si è tentato di riparare senza l'autorizzazione delle Techtronisianoc Industries
 - qualsiasi prodotto collegato a un'alimentazione non corretta (per amp, voltaggio, frequenza)
 - qualsiasi prodotto utilizzato con la miscela scorretta di carburante (carburante, olio, percentuale d'olio)
 - qualsiasi danno causato da agenti esterni (chimici, fisici o shock) o da sostanze estranee
 - normale usura di parti di ricambio
 - utilizzo non appropriato, sovraccaricamento di utensili
 - utilizzo non approvato di accessori o parti
 - carburatore dopo 6 mesi, regolazioni al carburatore dopo 6 mesi
 - componenti (parti e accessori) soggetti alla normale usura, compreso ma non limitato a manopole di avviamento a spinta, cinghie di trasmissione, frizione, lame di sfondatori o tagliaerba, cablaggio, cavo dell'acceleratore, spazzole al carbonio, cavi dell'alimentazione, lancette, rondelle in feltro, perni di aggancio, ventole del soffiatore, tubi del soffiatore e dell'aspirapolvere, sacchetti e cinghie dell'aspirapolvere, barre di guida, catene della motosega, tubi, raccordi del connettore, ugelli a spruzzo, ruote, bacchette a spruzzo, bobine interne, bobine esterne, fili di taglio, candele, filtri dell'aria, filtri del gas, lame di triturazione, ecc.
4. Per servizi di manutenzione, il prodotto dovrà essere mandato o presentato presso un punto di servizio clienti autorizzato RYOBI indicato nella seguente lista. In alcune nazioni il rivenditore RYOBI si occuperà di inviare il prodotto al più vicino servizio clienti Ryobi. Quando si invia un prodotto a un servizio clienti RYOBI, il prodotto dovrà essere correttamente imballato senza eventuali contenuti pericolosi quali carburanti, e contrassegnato con l'indirizzo della persona che lo ha inviato e accompagnato da una breve descrizione del problema riscontrato.
5. Si garantisce una riparazione/sostituzione gratuita quando il prodotto è coperto da garanzia. Questa sostituzione o riparazione non costituisce una estensione o un nuovo inizio di un periodo di garanzia. Le parti o l'utensile cambiati sono di proprietà della ditta. In alcune nazioni i costi di consegna o invio dovranno essere pagati dalla persona che spedisce.
6. Questa garanzia è valida all'interno della Comunità Europea, in Svizzera, Islanda, Norvegia, Liechtenstein, Turchia e Russia. Al di fuori di queste aree, si prega di contattare il proprio gestore autorizzato RYOBI per determinare se si applica un'altra garanzia.

CENTRO SERVIZI AUTORIZZATO

Per individuare il più vicino centro servizi autorizzato, visitare il sito <http://uk.ryobitools.eu/header/service-and-support/service-agents>.

NL GARANTIE

Bovenop de statutaire rechten als gevolg van de aankoop, wordt dit product gedekt door een garantie, zoals deze hieronder wordt beschreven.

1. De garantieperiode bedraagt 24 maanden voor consumenten en begint vanaf de datum waarop het product werd aangekocht. Deze datum moet worden gedocumenteerd door een factuur of ander aankoopbewijs. Het product is uitsluitend ontworpen en bedoeld voor particuliere gebruikers. De garantie vervalt bij professioneel of commercieel gebruik.
2. In enkele gevallen (vb. promotie, gereedschapsaanbod) bestaat er een mogelijkheid om de garantieperiode te verlengen met dezelfde periode als deze hierboven beschreven met behulp van de registratie op de website www.ryobitools.eu. Of het product al of niet in aanmerking komt, is duidelijk aangegeven in winkels en/of de verpakking. De eindgebruiker dient zijn/haar nieuw werktuig binnen de 8 dagen na de aankoopdatum online registreren. De eindgebruiker kan zich aanmelden voor de uitgebreide garantie in zijn verblijfsland als dit op het online registratieformulier is opgenomen wanneer deze optie geldig is. Bovendien moet de eindgebruiker zijn toestemming geven om informatie te gebruiken die nodig is om toegang te krijgen tot de website en dient de algemene voorwaarden te accepteren. Het ontvangstbewijs van dit registratieformulier, dat via e-mail wordt verzonden, en de originele factuur die de aankoopdatum vermeldt dienen als bewijs van de uitgebreide garantie. Uw statutaire rechten blijven onveranderd.
3. De garantie dekt alle defecten van het product gedurende de garantieperiode als gevolg van fouten in het werk of materiaal op de aankoopdatum. De garantie is beperkt tot de reparatie en/of vervanging en omvat geen andere verplichtingen waaronder, maar niet beperkt tot, incidentele of gevolgschade. De garantie is niet geldig als het product werd misbruikt, in tegenspraak met de gebruiksaanwijzing werd gebruikt of foutief werd verbonden. Deze garantie geldt niet voor:
 - schade aan het product als gevolg van foutief onderhoud
 - als het product op enigerlei wijze werd gewijzigd
 - als originele markeringen ter identificatie (handelsmerk, serienummer) van het product werden verwijderd of gewijzigd
 - voor schade als gevolg van het niet in acht nemen van deze gebruiksaanwijzing
 - een niet EC-product
 - een product, waaraan een niet-gekwalificeerde vakman reparaties uitvoerde of waaraan reparaties werden uitgevoerd zonder voorafgaande toestemming van Techtronic Industries
 - een product dat werd aangesloten aan een foutieve krachtbron (amps, spanning, frequentie)
 - een product dat met een ongeschikt brandstofmengsel (brandstof, olie, oliepercentage) werd gebruikt
 - schade veroorzaakt door externe invloeden (chemische, fysieke schokken) of vreemde stoffen
 - normale slijtage van reserve-onderdelen
 - foutief gebruik, overbelasting van het werktuig
 - gebruik van niet-goedgekeurde accessoires of onderdelen
 - de carburator na 6 maanden, carburatorafstellingen na 6 maanden
 - componenten (onderdelen en accessoires) die onderworpen zijn aan slijtage, met inbegrip van, maar niet beperkt tot stookknoppen, aandrijfriemen, koppeling, snijbladen van heggentrimmers of grasmaaimachines, harnassen, versnellingskabels, koolborstels, stroomsnoeren, tanden, viltrenen, trekpenen, ventilatoren, blazer- en vacuümbuizen, stofzuigzakken en –riemen, geleiders, zaagkettingen, slangen, connectoren, sproeimodellen, wielen, sproeiërs, inwendige spoelen, uitwendige spoelen, maaialijnen, bougies, luchtfilters, gasfilters, struikruimbladen, etc.
4. Voor onderhoud moet het product naar een geautoriseerd RYOBI-onderhoudsstation worden gestuurd of gebracht. Een lijst met de adressen van deze stations per land is hier opgenomen. In bepaalde landen verzendt uw plaatselijke RYOBI-verdeler het product naar de RYOBI-onderhoudsorganisatie. Als een product naar een RYOBI-onderhoudsstation wordt gezonden, moet het product veilig zijn verpakt zonder gevaarlijke inhoud, zoals benzine, met aanduiding van het adres van de verzender en met inbegrip van een korte beschrijving van de fout.
5. Een reparatie/vervanging onder deze garantie is gratis. Dit heeft geen gevolgen voor de duur van deze garantie of betekent niet dat de garantie wordt verlengd of opnieuw begint. Vervangen onderdelen of werktuigen worden onze eigendom. In bepaalde landen moeten verzendings- of leveringskosten door de verzender worden betaald.
6. Deze garantie is geldig in de Europese Unie, Zwitserland, IJsland, Noorwegen, Liechtenstein, Turkije en Rusland. Buiten deze landen neemt u contact op met uw geautoriseerde RYOBI-verdeler om te bepalen of er een andere garantie geldt is.

GEAUTORISEERD ONDERHOUDSCENTRUM

Om een geautoriseerd onderhoudscentrum in uw buurt te vinden, surf u naar <http://uk.ryobitools.eu/header/service-and-support/service-agents>.

PT GARANTIA

Além de qualquer direito estatutário derivado da compra, este produto está coberto com a seguinte garantia.

- O período de garantia é de 24 meses para os consumidores e começa a partir da data de compra do produto. Esta data deve ser comprovada com uma factura ou outra prova de compra. O produto foi desenhado e destinado ao consumidor e apenas para uso privado. Portanto, não se oferece qualquer garantia em caso de uso profissional ou comercial.
- Em alguns casos (como promoções ou um conjunto de ferramentas) existe a possibilidade de ampliar o período de garantia até ao período descrito anteriormente através do registo no website www.ryobitools.eu. A elegibilidade da ferramenta mostra-se claramente nas lojas ou na embalagem. O utilizador final deve registar as suas ferramentas recém-adquiridas on-line nos 8 dias seguintes à data de compra. O utilizador final poderá registar-se para ampliar a garantia no seu país de residência se este aparecer no formulário de registo on-line em que esta opção é válida. Além disso, os utilizadores finais devem dar o seu consentimento para se guardarem os dados que se solicitam para entrar on-line e aceitar os termos e condições. A confirmação de registo, que será enviada por correio electrónico, e a factura original que mostre a data de compra servirão como prova da ampliação da garantia. Os seus direitos estatutários permanecerão intactos.
- A garantia cobre, durante o período de garantia, todos os defeitos do produto que se devam a falhas da mão-de-obra ou a falhas do material na data de compra. A garantia tem um limite de reparação ou substituição e não inclui qualquer outra obrigação que se deva a, embora sem se limitar a tal, danos acidentais ou incidentais. A garantia não é válida se se fez um uso inadequado do produto, se não se usou seguindo o manual de instruções ou se foi ligado incorrectamente. Esta garantia não se aplica a:
 - qualquer dado do produto derivado de uma manutenção inadequada
 - qualquer produto que tenha sido alterado ou modificado
 - qualquer produto em que as marcas de identificação originais (marca comercial, número de série) tenham sido apagadas, modificadas ou eliminadas
 - qualquer dano causado por incumprimento do manual de instruções
 - qualquer produto que não seja CE
 - qualquer produto que um profissional não qualificado tenha tentado reparar ou sem uma autorização prévia de Techtronic Industries
 - qualquer produto ligado a um fornecimento eléctrico inadequado (amperios, tensão, frequência)
 - qualquer produto utilizado com uma mistura de combustível inadequada (combustível, óleo, percentagem de óleo)
 - qualquer dano causado por influências externas (de produtos químicos, danos físicos, descarga eléctrica) ou substâncias estranhas
 - desgaste ou ruptura normal das peças de substituição
 - uso inadequado, sobrecarga da ferramenta
 - uso de acessórios ou peças não homologadas
 - carburador após 6 meses, ajustes do carburador após 6 meses
 - componentes (peças e acessórios) sujeitos a um desgaste ou ruptura natural, incluindo, embora sem se limitar a tal, os botões de embate, correias de transmissão, embraiagem, lâminas de corta-arbustos ou corta-relvas, ameses, acelerador, escovas de carvão, cabo de alimentação, forquilhas, anilhas de feltro, passadores de gancho, ventiladores, tubos de ventilador e de vácuo, correias e bolsas de vácuo, barras de guia, serras de cadeia, mangueiras, acessórios de ligação, boquilhas pulverizadoras, rodas, varas borrifadoras, carretes interiores e exteriores, fios de corte, velas, filtros de ar, filtros de gás, lâminas de trituração, etc.
- Para o serviço, o produto deve ser enviado ou entregue num ponto de serviço técnico autorizado RYOBI enumerado para cada país na seguinte lista de moradas de serviço técnico. Em alguns países o seu distribuidor local RYOBI encarrega-se de enviar o produto para a organização do serviço de RYOBI. Ao enviar um produto a um ponto de serviço técnico RYOBI, o produto deve ser embalado de forma segura sem que contenha qualquer substância perigosa como petróleo, deve levar a morada do remetente e ir acompanhado de uma breve descrição da falha.
- Uma reparação/substituição dentro desta garantia realiza-se de forma gratuita. Não constitui uma ampliação nem um reinício do período de garantia. As peças ou ferramentas que se alterem passam a ser da nossa propriedade. Em alguns países os gastos de envio ou da franquia deverá pagá-los o remetente.
- Esta garantia é válida na Comunidade Europeia, Suíça, Islândia, Noruega, Liechtenstein, Turquia e Rússia. Fora destas zonas, entre em contacto com o seu distribuidor autorizado RYOBI para determinar se se aplica outra garantia.

CENTRO DE ASSISTÊNCIA AUTORIZADO

Para encontrar um centro de assistência autorizado próximo de si, visite <http://uk.ryobitools.eu/header/service-and-support/service-agents>.

DA GARANTI

Ud over de lovbestemte rettigheder ved køb, er dette produkt dækket af en garanti som angivet nedenfor.

- Garantien er 24 måneder for forbrugerne og træder i kraft den dato, hvor produktet bliver købt. Denne dato skal dokumenteres af en faktura eller andet købsbevis. Produktet er designet og beregnet til privat brug. Så der er ingen garanti i tilfælde af erhvervs-mæssig brug.
- Der er i visse tilfælde (f.eks. kampagner eller udvalgt produkter) mulighed for at forlænge garantien i perioden beskrevet ovenfor ved at registrere produktet på www.ryobitools.dk. Berettigelsen af produktet vises tydeligt i butikker og / eller på emballagen. Slutbrugeren skal registrere hans/hendes nyhvervede produkter online indenfor 8 dage fra købsdatoen. Slutbrugeren kan tilmelde sig den udvidede garanti i sit bopælsland, hvis det er opført på den online tilmeldingsformular. Desuden skal slutbrugere give deres samtykke til lagring af de data, der er nødvendige for at komme ind på nettet, og de er nødt til at acceptere vilkår og betingelser. Kvittingen på modtagelsen af registreringen, som udsendes via e-mail, og den originale faktura, der angiver købsdatoen, fungerer som bevis på den udvidede garanti. Dine lovbestemte rettigheder forblive uændret.
- Garantien dækker alle fejl ved produktet i løbet af garantiperioden, som kan føres tilbage til fabrikkations- eller materialefejl på købsdatoen. Garantien begrænser sig til reparation og/eller udskidning og omfatter ikke andre forpligtelser inklusiv, men ikke begrænset til, skader eller følgeskader. Garantien er ikke gyldig, hvis produktet har været udsat for misbrug, anvendelse i strid med brugsanvisningen eller har været tilsluttet forkert. Denne garanti dækker ikke:
 - Enhver skade på produktet som følge af ukorrekt vedligeholdelse
 - Ethvert produkt, som er blevet ændret eller modificeret
 - Ethvert produkt, hvor de originale identifikationsmærker (varemærke, serienummer) er blevet ødelagt, ændret eller fjernet
 - Enhver skade, der skyldes manglende overholdelse af brugsanvisningen
 - Ethvert produkt uden CE-mærkning
 - Ethvert produkt, som har været udsat for forsøg på reparation af en uautoriseret fagmand eller uden accept fra Techtronic Industries
 - Ethvert produkt, der har været sluttet til forkert strømforsyning (ampere, spænding, frekvens)
 - Ethvert produkt, der har været anvendt med forkert brændstofblanding (brændstof, olie, olieforhold)
 - Enhver skade, der skyldes udefra kommende påvirkninger (kemisk, fysisk, stød) eller fremmedlegemer
 - Normal slitage på reservedele
 - Forkert anvendelse, overbelastning af produktet
 - Brug af ikke-godkendt tilbehør eller (reserve)dele
 - Karburator efter 6 måneder, karburatorjusteringer efter 6 måneder
 - komponenter (dele og tilbehør), der har været udsat for naturlig slitage, inklusive, men ikke begrænset til, afstandsknopper, drivremme, kobling, klinger på hækkeklippere eller plæneklippere, seler, gaskabel, kulbørster, strømforsyningskabel, knive, filtknive, låsestifte, blæseventilatorer, blæse- og indsuigningsrør, sugepose og stropper, styresværd, savkæder, slanger, tilslutningsfittings, sprøjtedyser, hjul, sprøjtetave, indvendige hjul, udvendige spoler, skæretråd, tændrør, luftfiltere, gasfiltere, bioklip-klinger, mv.
- Til servicering skal produktet indleveres til eller forevises et autoriseret RYOBI serviceværksted for det pågældende land. I nogle lande vil din lokale RYOBI-forhandler sende produktet til RYOBI's serviceorganisation. Når et produkt indleveres til et RYOBI serviceværksted, skal det emballeres forsvarligt uden farligt indhold (som f.eks. benzin), være forsynet med afsenderadresse og ledsaget af en kort beskrivelse af fejlen.
- Reparation/udskifning i henhold til denne garanti er gratis. Den medfører ikke forlængelse eller ny start af garantiperioden. Udskiftede dele eller værktøjer overgår til vores ejendom. I nogle lande skal leveringsomkostninger eller porto betales af afsenderen.
- Denne garanti er gyldig i EU, Schweiz, Island, Norge, Liechtenstein, Tyrkiet og Rusland. Uden for disse områder bedes man venligst kontakte sin autoriserede RYOBI-forhandler for at få opklaret, om evt. andre garantier er gældende.

AUTORISERED E SERVICE/ÆRKSTEDER

Find nærmeste autoriserede serviceværksted på <http://dk.ryobitools.eu/header/service-and-support/service-agents>.

SV GARANTI

Förutom de lagstadgade rättigheter som följer köpet omfattas denna produkt av en garanti som anges nedan.

- Garantitiden är 24 månader för konsumenter och börjar den dag då produkten köptes. Detta datum måste kunna dokumenteras av en faktura eller annat inköpsbevis. Produkten är utformad och avsedd för konsumenter och ska endast användas för privat bruk. Det innebär att ingen garanti lämnas vid yrkesmässig eller kommersiell användning.
- I vissa fall (t.ex. marknadsföring, sortiment av verktyg), finns det en möjlighet att förlänga garantitiden under den period som beskrivs ovan genom registrering på hemsidan www.ryobitools.eu. De verktyg det gäller för framgår tydligt i butikker och/eller på förpackningen. Slut användaren måste registrera sitt nyinköpta verktyg på nätet inom 8 dagar från inköpsdatum. Slut användaren kan registrera sig för den utökade garantitiden i sitt hemland om det framgår av registreringsformuläret online där detta alternativ är giltigt. Dessutom måste slut användarna ge sitt samtycke till lagring av de uppgifter som krävs för att komma in på nätet och de måste godkänna villkoren. Registreringens mottagningsbevis som skickas ut via e-post och den ursprungliga fakturan som visar inköpsdatum fungerar som bevis på förlängd garantitid. Dina lagstadgade rättigheter påverkas inte.
- Garantin täcker alla fel på produkten under garantitiden som beror på fel i utförande eller material vid inköpsdatumet. Garantin är begränsad till reparation och/eller utbyte och inkluderar inte några andra åtaganden, inklusive men inte begränsat till oförutsedda skador eller följdskador. Garantin gäller inte om produkten har använts på fel sätt, använts på ett sätt som inte följer användarhandboken eller som har anslutits på ett felaktigt sätt. Denna garanti gäller inte för:
 - skador på produkten som beror på felaktigt underhåll
 - om produkten har ändrats eller modifierats
 - en produkt där den ursprungliga identifieringen (varumärke, serienummer) har förstörts, ändrats eller tagits bort
 - skador som orsakas av att användarhandboken inte har följts
 - alla produkter som inte följer CE-bestämmelser
 - en produkt som en icke-kvalificerad yrkesperson eller en person som inte har behörighet från Technronic Industries har försökt att reparera
 - en produkt som ansluts till eluttaget (ampere, spänning, frekvens) på fel sätt
 - en produkt som används med olämplig bränsleblandning (bränsle, olja, procent av olja)
 - skador som orsakas av yttre påverkan (kemiska, fysikaliska, stötar) eller främmande ämnen
 - normalt slitage av reservdelar
 - felaktig användning, överbelastning av verktyget
 - användning av icke-godkända tillbehör eller delar
 - förgasare efter 6 månader, justering av förgasare efter 6 månader
 - komponenter (delar och tillbehör) med förbehåll för normalt slitage, inklusive men inte begränsat till stötknappar, drivremmar, koppling, blad av häcksaxar eller gräsklippare, sele, kabelhållare, kolborstar, nätkabel, pinnar, filtbrickor, hitchkopplingar, blåsfåtkar, fläkt- och vakuumpör, vakuumpåse och remmar, ledskenor, sågkedjor, slangar, anslutningar, sprutmunstycken, hjul, sprayanordningar, inre spolar, yttre spolar, skärande linjer, tändstift, luftfilter, gasfilter, marktäckningsblad, osv.
- För service, måste produkten skickas eller presenteras till en RYOBI-godkänd servicestation som anges för varje land i följande lista med adresser. I vissa länder ombesörjer den lokala RYOBI-återförsäljaren att skicka produkten till RYOBI-serviceorganisationen. När en produkt skickas till en RYOBI-servicestation, ska produkten förpackas på ett säkert sätt utan farligt innehåll som bensin, märkt med avsändarens adress tillsammans med en kort som beskriver felet.
- En reparation/utbyte som sker under denna garanti är gratis. Den utgör inte en förlängning eller en ny start på garantitiden. Utbys delar eller verktyg blir vår egendom. I vissa länder måste leveranskostnader eller porto betalas av avsändaren.
- Denna garanti gäller i EU, Schweiz, Island, Norge, Liechtenstein, Turkiet och Ryssland. Utanför dessa områden ska du kontakta din auktoriserade RYOBI-återförsäljare för att avgöra om en annan garanti gäller.

AUKTORISERAT SERVICECENTER

Du hittar närmaste auktoriserade servicecenter genom att gå till <http://uk.ryobitools.eu/header/service-and-support/service-agents>.

FI TAKUU

Hankinnasta kuitioivien laillisten oikeuksien lisäksi tätä tuotetta hallitsee alla kuvattu takuu.

- Takuukausi on 24 kuukautta kuluttajille ja alkaa tuotteen ostopäivästä. Tämän päivän on oltava merkitty kuittiin tai muuten todisteseen hankinnasta. Tämä tuote on suunniteltu ja tarkoitettu ainoastaan kuluttajien yksityiskäyttöön. Ammatti- ja kaupalliseen käyttöön ei näin ollen ole takuuta.
- Joissain tapauksissa (kuten tarjous, laitesarja) takuukautta voidaan pidentää kuvattua kautta pidemmäksi rekisteröimällä tuote osoitteessa www.ryobitools.eu. Takuun pidentymismahdollisuus ilmoitetaan selkeästi kaupassa jätai pakkauksessa. Loppukäyttäjän on rekisteröitävä uusi laitteensa online 8 päivän sisällä sen hankkimisesta. Loppukäyttäjän voi rekisteröityä saadakseen jatkuvan takuun asuinmaassaan, jos se mainitaan online-rekisteröintilomakkeessa. Lisäksi, loppukäyttäjän on annettava suostumuksensa tallentaa syötetyt tiedot online, ja hänen on hyväksyttävä ehdot. Sähköpostitse lähetettävä rekisteröintivahvistus ja alkuuperäinen kuitti, josta ilmenee hankintapäivä, toimivat todistena takuun jatkamisesta. Lailliset oikeudet eivät muutu.
- Takuu kattaa takuusaikana kaikki tuotteen viat, jotka johtuvat valmistus- tai materiaaliavista hankintapäivänä. Takuu rajoittuu korjaukseen ja/ tai vaihtoon eikä sisällä mitään muita velvoitteita, mukaan lukien mm. satunnaiset ja seuraamukselliset vauriot. Takuu ei ole voimassa, jos tuotetta on väärinkäytetty tai käytetty käyttöoppaan vastaisesti tai se on kytketty virheellisesti. Takuu ei kata seuraavia:
 - tuotteelle koitunee vahingot, jotka johtuvat virheellisestä ylläpidosta
 - tuote, jota on muunneltu
 - tuote, jossa alkuuperäiset tunnisteen (tavaramerkki, sarjanumero) ovat turmeltuneet tai niitä on muutettu tai ne on poistettu
 - käyttöoppaan laiminlyönnistä johtuvat vauriot
 - ei-EC-tuotteet
 - tuotteet, jolla on yrittänyt korjata ei-pätevä asentaja tai jonka korjaukselle ei ole saatu Technronic Industriesiltä hyväksyntää etukäteen
 - tuotteet, jotka on kytketty vääränlaiseen virtalähteeseen (virta, jännite, taajuus)
 - tuote, jossa on käytetty virheellistä polttoaineseosta (polttoaine, öljy, öhlyn osuus)
 - vauriot, jotka johtuvat ulkoisista syistä (kemikaalit, fyysiset tekijät, iskut) tai vieraista aineista
 - normaali varaosien kuluminen
 - virheellinen käyttö, laitteen ylikuormitus
 - muiden kuin hyväksytyjen lisävarusteiden ja osien käyttö
 - kaasutin 6 kuukauden jälkeen, kaasuttimen säätö 6 kuukauden jälkeen
 - komponentit (osat ja lisävarusteet), joihin kohdistuu luonnollista kulumista, mukaan lukien mm. napautuspuit, vetohihnat, kytin, pensastrimmeriden ja ruohonleikkurien terät, valjaat, kaapelikaasutin, hiilijarhat, virtajohto, piikit, huopavälilevyt, sokat, puhallimet, puhallin- ja imuputket, polynimurin pussit ja hihnat, terälevyt, teräketjut, letkut, liittimet, suuttimet, pyörät, suihkuputket, sisäkelat, ulkoiset kelat, leikkusuimmat, syytystulpat, ilmansuodattimet, polttoainesuodattimet, silppuriterät jne.
- Huollon saaminen edellyttää, että tämä tuote lähetetään tai vietään RYOBI:n valtuuttamaan huoltoon, jotka luetaan maittain seuraavassa huoltojen osoiteluettelossa. Joissain maissa paikallinen RYOBI-jälleenmyyjä hoitaa tuotteen lähettämisen RYOBI-huoltoon. Kun tuote lähetetään RYOBI-huoltoon, se on pakattava turvallisesti ilman mitään vaarallista sisältöä, kuten bensiniä, siihen on merkittävä lähettäjän osoite ja sen mukana on lähetettävä vian kuvaus.
- Tämän takuun puitteissa tapahtuva korjaaminen/vaihto on ilmaista. Se ei merkitse takuujakson jatkamista tai uuden kauden alkua. Vaihdetuista osista ja laitteista tulee meidän omaisuuttamme. Joissain maissa lähettäjän on maksettava toimituskulut tai postimaksu.
- Tämä takuu on voimassa Euroopan Yhteisössä, Sveitsissä, Islannissa, Norjassa, Liechtensteinissa, Turkissa ja Venäjällä. Jos olet näiden alueiden ulkopuolella, ota yhteys valtuutettuun RYOBI-jälleenmyyjään, joka voi kertoa, onko joku muu takuu voimassa.

VALTUUTETTU HUOLTO

Valtuutettua huoltoa varten etsi lähimmän valtuutetun huollon sivulta <http://fi.ryobitools.eu/header/service-and-support/service-agents>.

NO GARANTI

I tillegg til enhver lovbestemt rettighet som følge av dette kjøpet er dette produktet dekket av en garanti som beskrevet nedenfor.

- Garantitiden er 24 måneder for forbrukere, og starter på produktets kjøpsdato. Denne datoen må dokumenteres av faktura eller annet kjøpsbevis. Produktet er konstruert og beregnet på forbrukere og kun privat bruk. Det gis ingen garanti ved profesjonell eller kommersiell bruk.
- Det er, i noen tilfeller, (dvs. markedsføring, serie av verktøy), mulig å utvide garantitiden ut over den perioden som er nevnt ovenfor ved bruk av registrering på nettstedet www.ryobitools.eu/Verktoys_garantiberegtigelse vises klart i butikkene og/eller på emballasjen. Sluttbruker må registrere sitt nylig innkjøpte verktøy på nettet innen 8 dager etter kjøpsdatoen. Sluttbruker kan registrere seg for utvidet garanti i det landet hvor vedkommende bor hvis dette landet er ført opp på nettregistreringsskjemaet hvor dette alternativet er gyldig. Sluttbruker må også gi sin tillatelse til lagring av de data som er påkrevet å registrere på nettet, og må akseptere vilkår og betingelser. Registreringsbekreftelsen, som sendes som epost, og den originale kvitteringen som viser kjøpsdatoen, vil gjelde som bevis på den utvidede garantien. Dine lovbestemte rettigheter vil fortsatt gjelde.
- Garantien gjelder alle defekter på produktet i garantitiden som følge av feil på arbeid eller materialer på kjøpsdatoen. Garantien er begrenset til reparasjon og/eller utskifting av produktet, og inkluderer ingen annen forpliktelse, inklusive men ikke begrenset til tilfældige eller direkte eller indirekte følgeskader. Garantien gjelder ikke dersom produktet er misbrukt, brukt i strid med brukermanualens instruksjoner eller vært feilaktig tilkoblet. Denne garantien gjelder ikke:
 - enhver skade på produktet som følge av utilstrekkelig vedlikehold
 - et produkt som er endret eller modifisert
 - ethvert produkt hvor original identifikasjonsmerke (varemerke, serienummer) er tildekket, endret eller fjernet
 - enhver skade som følge av at instruksjoner i brukermanualen ikke er fulgt
 - ethvert ikke-CE-produkt
 - ethvert produkt som er forsøkt reparert av en ukvalifisert person, eller uten forutgående tillatelse av Techtron Industries
 - ethvert produkt som er tilkoblet uriktig strømkilde (ampere, spenning, frekvens)
 - ethvert produkt som er brukt med feil drivstoffblanding (drivstoff, olje, prosentvis andel olje)
 - enhver skade forårsaket av eksterne påvirkninger (kjemiske, fysiske eller slag) eller fremmede substanser
 - normal slitasje på reservedeler
 - feilaktig bruk, overbelastning av verktøyet
 - bruk av ikke godkjent tilbehør eller reservedeler
 - forgasser etter 6 måneder, forgasserjusteringer etter 6 måneder
 - komponenter (deler og tilbehør) gjenstand for naturlig slitasje, inklusive men ikke begrenset til dunkeknotter, drivreimer, clutch, kniver på hekklippere eller gressklippere, seler, gasswire, karbonborster, elektriske ledninger, tenner, filtpakninger, skaftpinner, blåseviser, blåse- og sugeslangar, oppsamlingsposer, motorsagsverd, sagkjeder, slanger, tilkoblingsdeler, spraytedyser, hjul, spraytestaver, innvendige ruller, utvendige spoler, klippesnorer, tennplugger, luftfiltere, gassfiltere, oppkappingsblader, etc.
- For ettersyn og reparasjoner må produktet leveres til et RYOBI-autorisert servicesenter ført opp for det enkelte land i følgende liste av servicesentersadresser. I noen land vil din lokale RYOBI-forhandler sørge for å sende produktet til RYOBI's serviceorganisasjon. Når et produkt sendes til en RYOBI servicesentersom må produktet være forsvarlig emballert uten farlig innhold som bensin, merket med senders navn og adresse og medsendt en kort beskrivelse av feilen.
- En reparasjon/utskifting i henhold til denne garantien er gratis. Den representerer ikke en forlengelse av garantiperioden eller en ny start på garantiperioden. Utskiftede deler eller verktøy blir vår eiendom. I noen land vil leveringskostnader eller porto måtte betales av sender.
- Denne garantien er gyldig i EU, Sveits, Island, Norge, Liechtenstein, Tyrkia og Russland. Utenfor disse områdene ber vi om at du kontakter en autorisert Ryobi-forhandler for å finne ut om en annen garanti gjelder.

AUTORISERT SERVICESENTER

For å finne et autorisert servicesenter i nærheten, gå til <http://no.ryobitools.eu/header/service-and-support/service-agents>.

RU ГАРАНТИЯ

В дополнение к законным правам, вытекающим из факта покупки, на данный продукт распространяются следующие гарантийные обязательства.

- Гарантийный период составляет 24 месяца для покупателей и начинается с даты приобретения продукта. Дата приобретения подтверждается документально товарным чеком или другим доказательством покупки. Данный продукт предназначен для использования только в личных целях. Гарантия не предоставляется в случае профессионального или коммерческого использования данного продукта.
- В некоторых случаях (например, при продвижении продукта, приобретении некоторых видов инструментов) возможно продление гарантийного срока при регистрации продукта на веб-сайте www.ryobitools.eu. Применительно к продукту разьясняется в магазинах при продаже и/или на упаковке продукта. Конечному пользователю следует зарегистрировать вновь приобретенный инструмент через Интернет в течение 8 дней с даты покупки. Конечный пользователь может зарегистрировать продукт для получения расширенной гарантии в стране проживания, если данная возможность предоставляется интернет-формой регистрации. Также, конечный пользователь должен дать свое согласие на хранение данных, требуемых при заполнении формы через Интернет, и принять условия соглашения. Уведомление о подтверждении регистрации, отправляемое по электронной почте, и оригинальный товарный чек с датой покупки служат доказательством расширенной гарантии. Законные права потребителя при этом остаются в силе.
- Данная гарантия распространяется на все дефекты продукта, связанные с производственным браком или браком материалов в момент приобретения, в течение гарантийного периода. Данная гарантия ограничивается ремонтом и/или заменой и не включает другие обязательства, в том числе, связанные с побочным или косвенным ущербом. Гарантия недействительна в случае ненадлежащего использования, использования с нарушением инструкций руководства по эксплуатации или неправильного подключения продукта. Гарантия недействительна, если:
 - повреждение продукта вызвано ненадлежащим техническим обслуживанием
 - продукт подвергся изменениям или был модифицирован
 - оригинальная маркировка (товарный знак, заводской номер) неудобночитаема, изменена или удалена
 - повреждение вызвано несоблюдением инструкций данного руководства
 - отсутствует маркировка CE
 - была попытка отремонтировать продукт неквалифицированным лицом или без предварительного согласования с компанией Techtron Industries
 - продукт подключался к ненадлежащему источнику питания (ненадлежащая сила тока, напряжение, частота)
 - продукт использовался с недопустимой топливной смесью (топливо, масло, процент содержания масла)
 - повреждение вызвано внешним воздействием (химические, физические, удары) или посторонними веществами
 - это связано с нормальным износом заменяемых деталей
 - это связано с ненадлежащим использованием, перегрузкой инструмента
 - это связано с использованием нереккомендованных принадлежностей или деталей
 - карбюратор использовался свыше 6 месяцев, регулировка карбюратора после 6 месяцев
 - компоненты (детали и принадлежности) подверженные естественному износу, в том числе, коллчани, приводные ремни, муфта, режущие полотна шапалерных ножиц или газонокосилок, крепежные ремни, тросик дроссельной заслонки, угольные щетки, кабель питания, фрезы, фетровые прокладки, шпильки, крыльчатки, выпускные и всасывающие трубки, мешок для мусора и решетки, пыльные шины, пыльные щели, шланги, соединительные фитинги, распылительные насадки, колеса, распылители, внутренние бобины, внешние бобины, режущие струны, свечи зажигания, воздушные фильтры, газовые фильтры, механизмы для мульчирования и т.п.
- Для проведения технического обслуживания продукт следует представить в официальный центр технического обслуживания компании RYOBI в соответствии со списком по каждой стране. В некоторых странах дилерам компании RYOBI потребуются пересылка продукта в соответствующий сервисный центр компании RYOBI. При отправке продукта в центр технического обслуживания RYOBI, продукт следует упаковать надлежащим образом без содержания любых опасных веществ (таких как бензин) с указанием адреса отправителя и кратким описанием неисправности.
- Ремонт/замена продукта по условиям данной гарантии осуществляются бесплатно. В данном случае не предусмотрено продление срока гарантии или начало нового гарантийного периода. Заменяемые детали или инструмент становятся собственностью компании. В некоторых странах оплата доставки и почтовые расходы ложатся на отправителя.
- Данная гарантия действительна в странах ЕС, Швейцарии, Исландии, Норвегии, Лихтенштейне, Турции и России. Для получения информации о применении данной гарантии в других регионах обращайтесь к официальному дилеру компании RYOBI.

УПОЛНОМОЧЕННЫЙ СЕРВИСНЫЙ ЦЕНТР

Чтобы найти ближайший уполномоченный сервисный центр, обратитесь к веб-сайту <http://uk.ryobitools.eu/header/service-and-support/service-agents>.

PL GWARANCJA

Oprócz wszelkich praw ustawowych wynikających z zakupu, ten produkt jest objęty gwarancją jak podano poniżej.

- Okres gwarancji wynosi 24 miesiące dla konsumentów i rozpoczyna się w dniu, w którym produkt został zakupiony. Ta data musi być udokumentowana przez fakturę lub inny dowód zakupu. Produkt został zaprojektowany i jest przeznaczony wyłącznie do użytku konsumenckiego i prywatnego. W związku z tym gwarancja nie jest udzielana w przypadku zastosowań profesjonalnych i komercyjnych.
- Nie ma, w niektórych przypadkach (promocja tj. zakres narzędzi), możliwość przedłużenia okresu gwarancji w okresie opisanym powyżej przy rejestracji na stronie internetowej www.ryobitools.eu. Kwalifikowalność narzędzia jest wyraźnie określona w sklepach oraz/lub na opakowaniu. Użytkownik końcowy musi zarejestrować swoje nowe zakupione narzędzia online w ciągu 8 dni od daty zakupu. Użytkownik końcowy może zarejestrować się w celu rozszerzenia gwarancji w swoim kraju zamieszkania, jeśli jest on wymieniony w formularzu rejestracji online, kiedy ta opcja jest ważna. Ponadto użytkownicy końcowi muszą wyrazić zgodę na przechowywanie danych, które są wymagane do zalogowania online oraz muszą zaakceptować regulamin. Otrzymanie potwierdzenia rejestracji, które jest wysyłane na adres e-mail oraz oryginalna faktura z podaną datą zakupu będą służyć jako dowód przedłużonej gwarancji. Twoje prawa ustawowe pozostają nienaruszone.
- Gwarancja obejmuje wszystkie wady produktu w okresie gwarancyjnym, spowodowane usterekami w wykonaniu lub materiale w chwili nabycia. Gwarancja jest ograniczona do naprawy oraz/lub wymiany i nie obejmuje żadnych innych obowiązków w tym m.in. odpowiedzialności za szkody przypadkowe lub wtórne. Gwarancja nie jest ważna, jeśli produkt był użytkowany w niewłaściwy sposób, był wykorzystywany w sposób niezgodny z instrukcją obsługi lub był nieprawidłowo podłączony. Ta gwarancja nie obejmuje:
 - uszkodzenia produktu, które jest wynikiem nieprawidłowej konserwacji
 - produktu, który został przerobiony lub zmodyfikowany
 - produktu, w którym zniekształcono, zmieniono lub usunięto oryginalne oznaczenia (nazwę handlową, numer seryjny)
 - uszkodzeń spowodowanych nieprzebraniem instrukcji obsługi
 - produktu bez certyfikatu CE
 - produktu, który był naprawiany przez niewykwalifikowaną osobę lub bez uprzedniej autoryzacji firmy Techtronic Industries
 - produktu podłączonego do nieprawidłowego źródła zasilania (napięcie, napięcie, czystość)
 - produktu używanego z nieprawidłową mieszanką paliwa (paliwo, olej, zawartość procentowa oleju)
 - uszkodzeń spowodowanych przez przez czynniki zewnętrzne (chemiczne, fizyczne, uderzenia) lub obce substancje
 - normalnego zużycia części zamiennych
 - niewłaściwego użytkowania, przecięcia narzędzia
 - stosowania niezatwierdzonych akcesoriów lub części
 - gaźnika po 6 miesiącach, regulacji gaźnika po 6 miesiącach
 - elementów (części i akcesoriów) podlegających naturalnemu zużyciu, m.in. gałek odbojnikowych, pasów napędowych, sprężła, ostrej nożyc do żywopłotów lub kosiariek, uprząży, przepustnicy, szczołek węglowych, przewodu zasilającego, zębów, podkładek filcowych, sworzni zaczepu, wentylatorów dmuchawy, przewodów dmuchawy i podciśnieniowych, worków próżniowych i pasków, prowadnic, łańcuchów pilarki, przewodów, mocowań złączy, dyszy rozpylających, kółek, lancy rozpylających kat., dmuchawy, dmuchawy i nury próżniowe, torebki próżniowe i paski, prowadnice, bębnow wewnętrznych, szpulki zewnętrznych, żyłki tnącej, świec zapłonowych, filtrów powietrza, filtrów gazu, ostrej do ściółkowania itp.
- W celu serwisowania produkt należy wysłać lub okazać w autoryzowanym centrum serwisowym RYOBI wymienionym dla każdego kraju na poniższej liście adresów stacji serwisowych. W niektórych krajach lokalny dealer firmy RYOBI zobowiązuje się wysłać produkt do centrum serwisowego firmy RYOBI. W przypadku wysyłki produktu do centrum serwisowego RYOBI, produkt należy dobrze zapakować, bez umieszczenia żadnych niebezpiecznych rzeczy, tj. paliwa i oznaczyć adresem nadawcy oraz krótkim opisem usterek.
- Naprawa/wymiana w ramach tej gwarancji jest bezpłatna. Nie stanowi to przedłużenia lub nowego rozpoczęcia okresu gwarancji. Wymieniane części lub narzędzia stają się naszą własnością. W niektórych krajach koszty wysyłki lub pocztowe będą musiały być opłacone przez nadawcę.
- Ta gwarancja obowiązuje na terytorium Wspólnoty Europejskiej, Szwajcarii, Islandii, Norwegii, Liechtenstein, Turcji i Rosji. Poza tymi obszarami należy skontaktować się z autoryzowanym dealerem RYOBI aby sprawdzić, czy dostępna jest jeszcze inna gwarancja.

AUTORYZOWANY PUNKT SERWISOWY

Najbliższy autoryzowany punkt serwisowy można wyszukać w witrynie internetowej <http://uk.ryobitools.eu/header/service-and-support/service-agents>.

CS ZÁRUKA

Navíc k zákonným právam, ktoré vznikajú nákupem, je k výrobku poskytovaná záruka.

- Záruka je období 24 mesiacov pro spotřebitele a začíná běžet datem nákupu produktu. Toto datum musí být zadokumentováno fakturou nebo jiným důkazem o koupi. Tento výrobek je určen a vyhrazen jen pro domácí a soukromé používání. Záruka se tedy neaplikuje pro profesionální ani komerční používání.
- Existuje, v některých případech (tj. propagace, určité nástroje), možnost prodloužení doby záruky nad výše uvedené období pomocí registrace na stránkách www.ryobitools.eu. Vhodnost nástroje je jasně vyobrazena v prodejních a/nebo na obalu. Koncový uživatel musí zaregistrovat své nové pořízené nástroje online během 8 dní od data nákupu. Koncový uživatel se může zaregistrovat k prodloužení doby záruky v zemi jeho trvalého bydliště, pokud je uvedeno v online registračním formuláři, kde je tato možnost platná. Navíc musí koncový uživatel poskytnout souhlas s uchováním údajů, které jsou zapotřebí do online registru a musí přijmout podmínky smlouvy. Přijetí potvrzení o registraci, odeslané e-mailem, a originální faktura udávající datum nákupu slouží jako důkaz prodloužené záruky. Vaše zákonná práva zůstávají nedotčena.
- Záruka pokrývá veškeré vady produktu během záruky způsobené vadami při zpracování nebo v materiálu v době nákupu. Záruka se omezuje na opravu a/nebo výměnu a nezahrnuje žádné jiné závazky včetně, ale ne omezeně na související nebo následné škody. Záruka neplatí, pokud, pokud se produkt nesprávně používal, používal v rozporu s návodem nebo byl nesprávně zapojen. Záruku nelze uplatnit v následujících případech:
 - jakákoliv škoda na výrobku v důsledku nesprávné údržby
 - jakýkoliv výrobek byl pozměněn či modifikován
 - jakýkoliv výrobek, kde byly původní identifikační značky (obchodní značka, výrobní číslo) odstraněny, pozměněny či modifikovány
 - jakákoliv škoda způsobená nedodržováním návodu k obsluze
 - výrobek nemá značku CE
 - každý výrobek, kde došlo k pokusu jej opravit nekvalifikovanou osobou nebo bez předchozího souhlasu společnosti Techtronic Industries
 - každý výrobek byl připojen nesprávnému napájení (proud, napětí, frekvence)
 - každý výrobek, který se používal s nesprávnou palivovou směsí (palivo, olej, podíl oleje)
 - veškeré škody byly způsobeny externími vlivy (chemické, fyzické, nárazy) či cizími látkami
 - běžné opotřebení a spotřební náhradní díly
 - nevhodné používání, přetěžování nástroje
 - použití neschválených doplňků nebo dílů
 - karburátor po 6 měsících, seřízení karburátoru po 6 měsících
 - komponenty (díly a doplňky) podléhající běžnému opotřebení, včetně, ale ne omezeně, nárazových tlačítek, hnacích řemenů, spojky, nožů plotostříhu či sekaček trávy, postroje, lanka škrtící klapky, uhlikových kartáčů, napájecího kabelu, plechů, plstěných podložek, závlaček, ventilátorů fukaru, hadic fukaru a vysavače, vaku vysavače a popruhu, vodičích lišt, pilových řetězů, hadic, spojovacích tvarovek, rozprašovačích trysek, kol, stříkaček trubice, vnitřních, vnějších cívek, sekacích strun, zapalovačích svíček, vzduchových filtrů, spalňových filtrů, umíčovacích nožů atd.
- Pro servis výrobku je třeba zaslat nebo předložit pověřenému servisnímu středisku RYOBI dle seznamu adres servisních středisek. V některých zemích váš místní prodejce RYOBI provádí odeslání výrobku servisní organizaci RYOBI. Při zasílání výrobku servisnímu středisku RYOBI by se měl výrobek bezpečně zabalit bez nebezpečného obsahu jako benzin, označit adresu odesílatele a přiložit list krátkým popisem vady.
- Oprava/výměna během záruky je bezplatná. Neznamená prodloužení ani začátek nového záručního období. Vyměněné díly či nástroje se stávají naším vlastnictvím. V některých zemích doručení či poštovné platí odesílatele.
- Záruka je platná v Evropské unii, Švýcarsku, Islandu, Norsku, Lichtenštejnsku, Turecku a Rusku. U ostatních oblastí prosím kontaktujte pověřeného prodejce RYOBI pro upřesnění, zda platí jiná záruka.

POVĚŘENÉ SERVISNÍ STŘEDISKO

Pro natezení nejbližšího pověřeného servisního střediska navštivte <http://uk.ryobitools.eu/header/service-and-support/service-agents>.

HU GARANCIA

A vásárlással összefüggő esetleges törvény adta jogok mellett a termékre az alábbiakban részletezett garancia vonatkozik.

1. A garancia időtartama a fogyasztók számára 24 hónap, ami a termék megvásárlásának napjától számítódik. Ezt a dátumot számlával vagy a vásárlást igazoló más dokumentummal kell igazolni. A terméket kizárólag a vevő által, személyes célokra való használatra tervezték és készítették. Ezért a garancia nem vonatkozik a profik általi vagy üzleti célokra való használatra.
2. Egyes esetekben (pl. promóció, bizonyos termékcsaládok) lehetőség van a garancia időtartamának a fent leírt garanciaperióduson túli meghosszabbítására a www.ryobitools.eu webhelyen történő regisztrációval. Az, hogy egy adott gép jogosult-e erre, egyértelműen fel van tüntetve a boltokban és/vagy a csomagoláson. A végfelhasználónak a vásárlás napjától számított 8 napon belül regisztrálnia kell az újonnan beszerzett gépet. A végfelhasználó a kiterjesztett garanciáért a lakóhelye szerinti országban regisztrálhat, ha az szerepel az online regisztrációs űrlapon. Emellett a végfelhasználónak hozzá kell járulnia az online belépéshez szükséges adatai tárolásához és el kell fogadnia a szerződési feltételeket. A regisztráció e-mailedben küldött visszaigazolása, valamint a vásárlást igazoló eredeti számla szolgálják a kiterjesztett garancia érvényesítésére. A törvény adta jogai nem sérülnek.
3. A garancia a garancia időtartama alatt a termék összes olyan hibájára kiterjed, amelyek a vásárlás napján is fennálló gyártási vagy anyaghiba miatt következnek be. A garancia javításra és/vagy cserére korlátozódik, és nem tartalmaz további kötelezettséget, beleértve, de nem kizárólag a véletlenszerű vagy következetes károkra vonatkozó kötelezettségeket sem. A garancia nem érvényes a termék helytelen használatára, a használati utasításban leírtakkal ellentétes használatára vagy hibás csatlakoztatás esetén. A garancia nem vonatkozik a következőkre:
 - a termék helytelen karbantartásból eredő esetleges károsodásokra
 - átalakított vagy módosított termékekre
 - olyan termékre, melyen az eredeti azonosító jelöléseket (védjegy, sorozatszám) megrongálták, átalakították vagy eltávolították
 - a használati utasítás be nem tartásával összefüggő károkra
 - a CE minősítéssel nem rendelkező termékre
 - a nem képzett szakember által vagy a Technronic Industries előzetes jóváhagyása nélküli javított termékre
 - a nem megfelelő tápforrásokhoz (áramerősség, feszültség, frekvencia) csatlakoztatott termékre
 - a nem megfelelő üzemanyag-keverékkel (üzemanyag, olaj, olajárány) használt termékre
 - külső hatások (vegyi, fizikai, ütés) vagy idegen anyagok által okozott károsodásokra
 - a cserealkatrészek normál kopására és elhasználódására
 - helytelen használatra, a szerszám túlterhelésére
 - nem jóváhagyott tartozékok vagy alkatrészek használatára
 - a karburátorra 6 hónap elteltével, a karburátor beállításaira 6 hónap elteltével
 - Természetes elhasználódásnak és kopásnak kitett összetevőkre (alkatrészek és tartozékok), beleértve de nem kizárólag az ütközőgombokra, hajtószíjakra, tengelykapcsolóra, sóvényvágó vagy fűnyíró kecséire, vezetékkecsékre, gázkábelekre, szénkéfékre, tápkábeleire, kapákra, nemez alátétkarikákra, sasszegekre, fűvágó ventilátoraira, fűvő és vákuumszívókra, szívószálókra és szíjakra, láncvezetőkre, fűrészláncokra, tömlőkre, csatlakozókra, szűrőfejekre, kerekre, lándsákra, belső orsókra, külső orsókra, vágószálakra, gyújtógyertyákra, légszűrőkre, üzemanyagszűrőkre, tömörítő kapákra stb.
4. A szervizeléshez a terméket el kell küldeni vagy be kell mutatni valamelyik hivatalos RYOBI szervizközpontban, melyek elérhetősége az egyes országokban az alábbiakban van megadva. Egyes országokban a RYOBI kereskedő vállalja, hogy elküldi a terméket a RYOBI szervizbe. A terméknek a RYOBI szervizelőmásra való küldésekor a terméket biztonságosan be kell csomagolni, mindenféle veszélyes anyagot, pl. üzemanyagot el kell távolítani belőle, meg kell adni a feladó címét és a hiba rövid leírását.
5. A garancia keretében végzett javítás/cseréje ingyenes. Ugyanakkor ez nem jelenti a garancia időtartamának kiterjesztését vagy új garanciaperiódus kezdetét. A kicserélt alkatrészek vagy szerszámgépek a mi tulajdonunkban maradnak. Egyes országokban a szállítási vagy a postaköltségeket a feladó fizeti.
6. Ez a garancia az Európai Közösségben, Svájcban, Izlandon, Norvégiában, Liechtensteinben, Törökországban és Oroszországban érvényes. Ezen területeken kívül az érvényes garancia-feltételeket illetően lépjen kapcsolatba a hivatalos RYOBI forgalmazóval.

HIVATALOS SZERVIZKÖZPONT

A legközelebbi hivatalos szervizközpont megtalálásához látogasson el a <http://uk.ryobitools.eu/header/service-and-support/service-agents>.

RO GARANTIE

În plus față de alte drepturi statutare rezultând din achiziție, produsul este acoperit de o garanție ca cea menționată mai jos.

1. Perioada de garanție este de 24 de luni pentru consumatori și începe de la data la care produsul a fost achiziționat. Această dată trebuie să fie dovedită de o factură sau altă dovadă de cumpărare. Produsul este proiectat și dedicat pentru consumatori și doar pentru uz privat. Ca urmare nu există nicio garanție asigurată în caz de folosire profesională sau comercială.
2. Există, în anumite cazuri (de ex. promoții, game de produse) o posibilitate de a prelungi perioada de garanție peste perioada descrisă mai sus folosind înregistrarea pe site-ul www.ryobitools.eu. Eligibilitatea aparatului este afișată clar în magazine și/sau ambalaj. Utilizatorul final se poate înregistra pentru o garanție extinsă în țara sa de reședință dacă e listată pe formularul de înregistrare online acolo unde opțiunea este validă. Mai mult, utilizatorii finali trebuie să-și dea consimțământul cu privire la păstrarea datelor ce sunt cerute a fi introduse online și trebuie să accepte termenii și condițiile. Notificarea de confirmare a înregistrării, ce este trimisă prin email, și factura originală ce arată data achiziționării vor servi ca dovadă a garanției extinse. Drepturile dvs statutare rămând neafectate.
3. Garanția acoperă toate defectele produsului în timpul perioadei de garanție cauzate de defecte din procesul de producție sau ale materialului la data achiziționării. Garanția este limitată la reparație și/sau înlocuire și nu include alte obligații incluzând dar nelimitându-se la pagube accidentale sau secundare. Garanția nu este validă dacă produsul a fost folosit greșit, folosit contrar instrucțiunilor din manual sau a fost conectat incorect. Această garanție nu se aplică la:
 - orice defecțiune a produsului ca rezultat a întreținerii necorespunzătoare
 - orice produs ce a fost schimbat sau modificat
 - orice produs unde marcajul original de identificare (marcă comercială, număr serie) a fost deteriorat, schimbat sau modificat
 - orice defecțiune cauzată de nerespectarea manualului de instrucțiuni
 - orice produs non CE
 - orice produs care a fost încercat să fie reparat de către o persoană necalificată sau fără autorizare în prealabil de către Technronic Industries
 - orice produs conectat necorespunzător la sursa de curent (amperi, voltaj, frecvență)
 - orice produs folosit cu amestec necorespunzător de combustibil (combustibil, ulei, procentaj de ulei)
 - orice defecțiune cauzată de influențe externe (chimice, fizice, șocuri) sau substanțe străine
 - uzura normală a pieselor de schimb
 - folosire necorespunzătoare, suprasolicitare a sculei
 - folosire de accesorii și părți neaprobate
 - carburator după 6 luni, reglări ale carburatorului după 6 luni
 - componente (părți și accesorii) subiect a uzurii naturale, incluzând dar nelimitându-se la butoane rotative, curele de distribuție, ambreiaj, lame ale aparatelor de bordurat și tuns iarba, hamuri, cabluri de accelerație, perii de carbon, cabluri electrice, dinți ale furcii, șaibe de păsli, ventilatoare și tuburi de absorbție, sac vacuum și chingi, bare de ghidare, ferăstraie cu lanț, furture, fitinguri de conectare, vergele de pulverizat, duze de pulverizat, roți, vergele de pulverizat, bobine interioare, bobine exterioare, fire pentru tăiat, buji, filtre de aer, filtre de gaz, lame protectoare, etc
4. Pentru service, produsul trebuie să fie trimis sau prezentat la un punct service RYOBI autorizat listat pentru fiecare țară în următoarea listă cu adrese ale punctelor service. În anumite țări reprezentantul dvs local RYOBI se angajează să trimită produsul la un punct de service RYOBI. Atunci când se trimite un produs la un punct service RYOBI, produsul trebuie să fie împachetat cu grijă fără a conține produse periculoase precum benzină, marcat cu adresa expeditorului și însoțit de o scurtă descriere a defecțiunii.
5. Repararea/inlocuirea în timpul garanției este fără niciun cost. Nu constituie o prelungire sau un nou început a perioadei de garanție. Părțile sau aparatele schimbate devin proprietatea noastră. În anumite țări taxele de expediere trebuie să fie plătite de către expeditor.
6. Garanția este valabilă în Uniunea Europeană, Elveția, Islanda, Norvegia, Lichtenstein, Turcia și Rusia. În afara acestor zone, vă rugăm contactați reprezentantul dvs local autorizat RYOBI pentru a determina dacă se aplică altă garanție.

CENTRU DE SERVICE AUTORIZAT

Pentru a găsi un centru de service autorizat lângă dvs., vizitați <http://uk.ryobitools.eu/header/service-and-support/service-agents>.

LV GARANTĪJA

Papildus visām likumā paredzētajām tiesībām saistībā ar iegādi šim izstrādājumam ir turpinājuma izklāstīta garantija.

1. Garantijas periods patērētājiem ir 24 mēneši, un tas sākas izstrādājuma iegādes dienā. Šim datumam ir jābūt dokumentētām rēķinā vai citā iegādi apliecinošā dokumentā. Šis izstrādājums ir izgatavots un paredzēts vienīgi patērētājam un privātai lietošanai. Profesionālais vai komerciālais lietošanas gadījumā garantija nav spēkā.
2. Atsevišķos gadījumos (piem., akcija, vairāki instrumenti) pastāv iespēja pagarināt garantijas periodu virs sešmēnešu perioda, reģistrējot to www.ryobitools.eu vietnē. Instrumenta pielietojums ir skaidri norādīts veikalos un/vai uz iepakojuma. Lietotājiem ir jāreģistrē savī jauniegūtie instrumenti tiešsaistē 8 dienu laikā no iegādes datuma. Lietotājs var reģistrēties pagarinātajai garantijai savā dzīvesvietas valstī, ja tā ir norādīta tiešsaistes reģistrācijas veidlapā, kur pieejama šī iespēja. Turklāt lietotājiem ir jāievada dati tiešsaistē, jādod piekrišana šo datus uzglabāšanai un jāpiekrīt noteikumiem. Saņemtais reģistrācijas apstiprinājums, kas izsūtīts pa e-pastu, un rēķina oriģināls, kurā redzams iegādes datums, ir pagarinātās garantijas pierādījums. Jūsu likumā paredzētās tiesības netiek ietekmētas.
3. Garantija attiecas uz visiem izstrādājuma bojājumiem, kas radušies garantijas perioda laikā iegādes dienā esošo izgatavošanas vai materiāla defektu dēļ. Garantija ir ierobežota līdz remontam un/vai nomaīgai un neietver citus pienākumus, ieskaitot, bet neaprobežojoties ar nejausiem vai netiešiem zaudējumiem. Garantija nav spēkā, ja izstrādājums ir liets nepareizi vai neievērojot rokasgrāmatas norādījumus vai ticis nepareizi savienots. Garantija netiecas uz:
 - izstrādājuma bojājumiem, kas radušies nepareizas apkopes dēļ;
 - izstrādājumiem, kas tikusi pielāgoti vai pārveidoti;
 - izstrādājumiem, kuru oriģinālais identifikācijas marķējums (preču zīme, sērijas numurs) ticis sabojāts, pārveidots vai noņemts;
 - bojājumiem, kurus izraisījuši rokasgrāmatas norādījumu neievērošana;
 - izstrādājumiem bez CE marķējuma;
 - izstrādājumiem, kurus ir mēģinājis remontēt nekvalificēts speciālists vai kuri remontēti bez Technonic Industries atļaujas;
 - izstrādājumiem, kas tikusi pievienoti neatbilstoši energopadevei (apmēri, spriegums, frekvence);
 - izstrādājumiem, kuros izmantots nepareizs degvielas maisījums (degviela, eļļa, eļļas daudzums);
 - bojājumiem, kurus izraisījuši ārēja iedarbība (ķīmiska, fiziska, triecieni) vai svešas vielas;
 - normālu detaļu nolietojumu un nodilumu;
 - instrumenta nepareizu lietošanu, pārslogoji;
 - neapstiprinātu detaļu un piederumu lietošanu;
 - karburatoru pēc 6 mēnešiem, karburatora regulējumiem pēc 6 mēnešiem;
 - komponentiem (detaļām un piederumiem), kas ir pakļauti dabiskam nodilumam un nolietojumam, ietvert, bet neaprobežojoties ar darbināšanas pogām, piedziņas siksnām, dzīvzoga trimeru un zāles plāvēji asmeņiem, plecu turētāju, kabeļa droseli, ogļekļa sukām, elektrības vadu, tapām, filca starplikām, sakabes tapām, pūteja ventilatoriem, pūteja un vakuuma caurulēm, vakuuma maisiem un lencēm, virzošajiem stieņiem, zāga ķēdēm, šļūtenēm, savienotāja stiprinājumiem, smidzināšanas sprauslām, riteņiem, smidzināšanas nūjām, iekšējiem ruļļiem, ārējām spolēm, griešanas auklām, aizdedzes svečēm, gaisa filtriem, gāzes filtriem, mulčēšanas asmeņiem u. c.;
4. Ja nepieciešams veikt remontu, izstrādājums jānosūta vai jānodod RYOBI pilnvarotam servisa centram, kas norādīts pie attiecīgās valsts servisa centru adresē sarakstā. Atsevišķās valstīs vietējais RYOBI dīleris uzņemas nosūtīt izstrādājumu RYOBI servisa organizācijai. Nosūtīt izstrādājumu RYOBI servisa centram, izstrādājumiem jābūt droši iepakotam bez bīstama satura, piemēram, degvielas, marķētam ar sūtītāja adresi un kopā ar īsu aprakstu par defektu.
5. Remonts/nomaīga šīs garantijas ietvaros ir bez maksas. Tas nepagarina un neuzsāk jaunu garantijas periodu. Nomainītās detaļas un instrumenti nonāk mūsu īpašumā. Atsevišķās valstīs piegādes maksa un pasta izdevumi jāsedz sūtītājam.
6. Šī garantija ir derīga Eiropas Kopienā, Šveicē, Islandē, Norvēģijā, Līhtenšteinā, Turcijā un Krievijā, Ārpus šiem reģioniem, lūdzu, sazinieties ar savu pilnvaroto RYOBI dīleri, lai noskaidrotu, vai ir spēkā cita garantija.

AUTORIZĒTS APKALPOŠANAS CENTRS

Lai atrastu tuvāko autorizēto apkalpošanas centru, apmeklējiet <http://uk.ryobitools.eu/header/service-and-support/service-agents>.

LT GARANTĪJA

Be įstatymais nustatyty teisių, įgyjamų nusipirkus šį produktą, produktui taikoma toliau nurodyta garantija.

1. Pirkėjams galiojantis garantinis periodas yra 24 mėnesiai ir prasideda nuo produkto pirkimo datos. Data turi būti nurodyta sąskaitoje-faktūroje arba kitame pirkimą įrodančiame dokumente. Produktas sukurtas ir skirtas tik naudotojui ir tik asmeniniam naudojimui. Todėl garantija netaikoma produktą naudojančiam profesionaliam ar komerciniam tikslams.
2. Kai kuriais atvejais yra galimybė pratęsti garantinį laikotarpį iki toliau nurodyto laikotarpio, prieš tai užsiregistruoti www.ryobitools.eu svetainėje. Įrankio tinkamumo aiškiai parodytas parduotuvėse ir (arba) ant pakuotės. Galutinis naudotojas turi užregistruoti savo naujai įsigytus įrankius internetu per 8 dienas nuo jų pirkimo datos. Galutinis naudotojas gali užsiregistruoti dėl garantijos pratęsimo savo šalyje, jei ši pateikta registracijos internetu formoje, kurioje galimas šis pasirinkimas. Be to, galutinai naudotojai privalo duoti savo sutikimą laikyti duomenis, kuriuos reikia įvesti internete, ir jie turi sutikti su sąlygomis ir nuostatomis. Registracijos patvirtinimo pranešimas, išsiunčiamas el. paštu, ir originali sąskaityta faktūra, kurioje nurodyta pirkimo data, įrodo pratęstą garantiją. Jūsų įstatymuose nurodytomis teisėms nebus pakenkta.
3. Garantinis laikotarpis garantija taikoma visiems produkto trūkumams, atsiradusiems dėl prastos darbo kokybės arba prastu produkto medžiagų pirkimo dieną. Garantija taikoma tik taisymsui ir (arba) pakeltimui ir joje nenumatyti jokie kiti įsipareigojimai, įskaitant, bet neapsiribojant atsitiktine ar susijusia žala. Garantija negalioja produktą netinkamai naudojant, priešingai vadove nurodytoms instrukcijoms, arba netinkamai prijungus. Garantija netaikoma šiais atvejais:
 - produktui padaryti žalai netinkamai atliekant produkto techninę priežiūrą;
 - pakeistam arba modifikuotam produktui;
 - bet kokiems produktams, kurių originalios identifikacijos (prekės ženklas, serijos numeris) žymės buvo sugadintos, pakeistos ar pašalintos;
 - bet kokiai žalai, patirtai nesaikant naudojimo vadovo;
 - bet kokiam CE nepaženkintam produktui;
 - bet kokiam produktui, kurį bandė taisyti nekvalifikuotas specialistas, arba iš anksto negavus „Technonic Industries“ leidimo;
 - bet kokiam produktui, įjungtam į netinkamą maitinimo tinklą (amperai, įtampa, dažnis);
 - bet kokiam produktui, naudojamam su netinkamu degalų mišiniu (degalai, alyva, alyvos procentinis kiekis);
 - bet kokiai žalai, kilusiai dėl išorinio poveikio (cheminis, fizinis poveikis, smūgiai) arba pašalinių medžiagų;
 - įprastam atsarginių dalių dėvėjimuisi;
 - produktą netinkamai naudojant arba jį perkrovus;
 - naudojant nepatvirtintus priedus arba dalis;
 - karbiuratorius po 6 mėnesių, karbiuratoriaus reguliavimui po 6 mėnesių;
 - komponentams (daliams ir priedams), kurie dėvisi savaime, įskaitant, bet neapsiribojant iškiliais mygtukais, diržinėmis pavakomis, sankaba, gyvatvorės žirklių arba vejos pjovimo mašinų asmenimis, diržais, kabele droseliu, anglies šepetėliais, maitinimo laidu, virbams, veltinio poveržlėmis, traukimo kaiščiais, pūtimo ventilatoriais, pūstuvu ir siurblio vamzdžiais, siurblio maišeliu ir dirželiais, kreipiamaisiais strypais, pjūklų grandinėmis, žarnelėmis, jungtimis, purkštukais, ratais, purškimo lazdelėmis, vidiniais sukutvais, išorinėmis ritėmis, mulktintuvais, uždegimo žvakėmis, oro filtrais, dujų filtrais, mulčiavimo asmenimis ir t. t.;
4. Norint atlikti techninį aptarnavimą, produktą reikia nusiųsti arba pristatyti į vieną iš RYOBI įgaliotų techninio aptarnavimo punktų, esančių kiekvienoje šalyje toliau pateiktame aptarnavimo punktų adresų sąraše. Kai kuriose šalyse jūsų vietinis RYOBI pardavėjas gali nusiųsti produktą į RYOBI techninio aptarnavimo punktą. Siunčiant produktą į RYOBI techninio aptarnavimo punktą, produktą reikia saugiai supakuoti, prieš tai iš jo pašalinus pavojingas medžiagas, pavyzdžiui, benzina, nurodyti siuntėjo adresą ir pridėti trumpą gedimo aprašymą.
5. Pagal šią garantiją taisyimo ar keitimo darbai atliekami nemokamai. Garantijoje nenumatytas garantijos pratęsimas ar naujo garantinio laikotarpio pradėjimas. Pakeistos dalys arba įrankiai tampa mūsų nuosavybe. Kai kuriose šalyse pristatymo ar siuntimo paštu išlaidas turi padengti siuntėjas.
6. Ši garantija taikoma Europos bendrijoje, Šveicarijoje, Islandijoje, Norvegijoje, Lichtenšteine, Turkiijoje ir Rusijoje. Kitose šalyse kreipkitės į savo įgaliotą RYOBI pardavėją, norėdami sužinoti, ar taikoma kita garantija.

ĮGALIOTAS TECHINIS PRIEŽIŪROS CENTRAS

Jei norite surasti įgaliotą techninės priežiūros centrą netoli Jūsų, apsilankykite interneto svetainėje <http://uk.ryobitools.eu/header/service-and-support/service-agents>.

ET GARANTIID

Lisaks ostu puhul kaasnevate seadusjärgsete õiguste kehtib tootele allpool esitatud tingimustega garantiid.

- Ostja poolt ostetud tootele on kehtestatud garantiiperiood 24 kuud ja see hakkab kehtima toote ostmise kuupäeval. See kuupäev on märgitud arvele või muule ostu lõendavale dokumendile. Toode on ette nähtud ostjale ainult isiklikuks kasutamiseks. Kui toodet kasutatakse ametialasel või äriühistel eesmärkidel, siis garantiid ei kehti.
- Mõnel juhul (nt reklaam, seadmeste seeria) on võimalik pikendada garantiiperioodi pikemaks ajaks kui ülal mainitud, kui kasutatakse registreerimist veebisaidil www.ryobitools.eu kaudu. Registreerimise tingimused on välja pandud kauplustesse ja/või on pakendil. Lõppkasutaja peab oma uued tüüristad veebis registreerima 8 päeva jooksul alates ostukuupäevast. Lõppkasutaja võib registreerida end pikendatud garantiis oma asukohamaal, kui see on esitatud veebis registreerimise loendil, seal kus see vaik on olemas. Peale selle, lõppkasutajad peavad andma nõusoleku enda andmete salvestamiseks, mida vajatakse veebi sisenedamiseks ja nõustuma esitatud tingimustega. Pikendatud garantiid kehtivust lõendab e-postiga saadetud registreerimise kinnitusteada, ja algupärane arve, millel on ostukuupäev. Teie seadusjärgsed õigused jäävad mõjutamata.
- Garantiid kehtib kõikidele ostukuupäevast kehtima hakkaval garantiiperioodil ilmnenu rike suhtes, mis on tingitud töötamis- või materjalvigadest. Garantiid on piiratud remondi ja/või asendamisega ja ei sisalda muid kohustusi, kuid mitte ainult, kaasneva või tuleneva kahju eest. Garantiid ei kehti, kui toodet on väärkasutatud, kasutusjuhendis nimetatud otstarbele mittevastavalt kasutatud või toode on ebaõigesti ühendatud. See garantiid ei rakendu järgmistel juhtudel:
 - tootel on mingi vigastus, mis on põhjustatud ebaõigest kasutamisest,
 - toodet on mingil viisil ümber ehitatud või muudetud,
 - toote algupärane tuvastusmarkering (kaubamärk, seerianumber) on kahjustatud, ümber tehtud või eemaldatud,
 - tootel on mingi vigastus, mis on tingitud kasutusjuhendi mittejälgimisest,
 - toode ei ole CE-märgisega,
 - toodet on püüdnud parandada ebaõiged spetsialist või seda on tehtud ilma Techtron Industries volitusteta,
 - toode on ühendatud selleks mitteettnähtud elektritoitevõrguga (väär voolu tugevus, pinge või sagedus),
 - tootes on kasutatud mitteettnähtud kütusesegu (kütus, õli, väär õli vahetkord),
 - tootel on vigastus välistõimudest (keemilised või füüsilised mõjud või löögid),
 - toote varuosadel ilmneb tavapärane kulumine,
 - toodet on ebaõigesti kasutatud või üle koormatud,
 - tootel on kasutatud mitteettnähtud tarvikuid või osi,
 - toote karburaator pärast 6 kuu möödumist, toote karburaatori säätet pärast 6 kuu möödumist,
 - toote koostesadel (osad ja tarvikud) ilmneb tavapärane kulumine järgmistel detailidel (kuid mitte ainult): etteandenu, ajamirihmad, sidur, hekiõikuri või muruniiduki terad, rakmed, gaasitross, süsinikharijad, toitejuhe, piid, viilseibid, vedruthvitid, puhumisventilaatorid, puhuri ja imuri torud, imisüsteemi kotid ja ribad, juhtvardad, saeketid, voolikud, õhendusliitmikud, düüsid, rattad, pihustustorud, siseturmid, välispooled, lõikeõhvid, süüteküünlad, õhufiltrid, gaasifiltrid, multšimisterad jne.
- Hooldamiseks tuleb toode saata või tuua mõnda RYOBI volitatud hoolduspunkti, mis on esitatud loendis iga riigi jaoks ja milles on hoolduspunkti aadressid. Mõnes riigis kohustub RYOBI edasimüüja saatma toote RYOBI hooldusasutusse. Kui toode saadetakse RYOBI hooldusasutusse, tuleb toode turvaliselt ära pakkida ilma, et sellesse jääks ohtlikku sisu, näiteks bensiin ja pakendile tuleb märkida saatja aadress ja riike lühikirjeldus.
- Selle garantiid alusel tehtud remont/asendus on tasuta. Sellega ei kaasne garantiiperioodi pikemine või uue garantiiperioodi algus. Asendatud osad ja tüüristad jäävad meie omandusse. Mõnes riigis tuleb saate- või postikulud tasuda saatja poolt.
- See garantiid kehtib Euroopa Liidus, Šveitsis, Islandil, Norras, Liechtensteinis, Türgis ja Venemaal. Väljaspool neid riike võtke ühendust Ryobi volitatud edasimüüjaga, et teada saada teistsuguste garantiid kehtivus.

VOLITATUD HOOLDUSKESKUS

Oma volitatud hoolduskeskuse leiate veebisaidil <http://uk.ryobitools.eu/header/service-and-support/service-agents>.

HR JAMSTVO

U dodatku svih zakonskih prava koja proizlaze kao rezultat kupnje, ova proizvod pokriven je jamstvom kao što je utvrđeno u nastavku.

- Jamstveno razdoblje je 24 mjeseca za korisnike, a započinje na datum kupnje proizvoda. Ovaj datum treba biti dokumentiran računom ili nekim drugim dokazom o kupnji. Proizvod je dizajniran i namijenjen samo za korisnike i osobno korištenje. Stoga nema omogućenog jamstva u slučaju profesionalnog ili komercijalnog korištenja.
- U nekim slučajevima (primjerice promocije, paleta alata) postoji mogućnost produženog jamstvenog razdoblja preko gore navedenog razdoblja korištenjem registracije na web mjestu www.ryobitools.eu. Sukladnost alata jesno je prikazana u trgovini ili na pakiranju. Krajnji korisnik treba registrirati svoje nove pribavljene alate na mreži unutar 8 dana od datuma kupnje. Krajnji korisnik može se registrirati za produženo trajanje jamstva u svojoj zemlji stanovanja ako je navedena na mrežnom obrascu za registraciju gdje je ova opcija valjana. Nadalje, krajnji korisnici moraju dati svoje odobrenje za spremanje podataka koji su potrebni za unos na mreži i moraju prihvatiti uvjete i odredbe. primatka potvrde o registraciji, koja se šalje e-poštom i originalni račun koji prikazuje datum kupnje služe kao dokaz produženog jamstva. Vaša zakonska prava ostaju nepromijenjena.
- Jamstvo pokriva sve kvarove proizvoda tijekom jamstvenog razdoblja zbog pogreški u izradi ili materijalu na datum kupnje. Jamstvo je ograničeno na popravak ili zamjenu i ne uključuje nikakve druge obveze uključujući ne ograničavajući se na slučajne ili posljedične štete. Jamstvo nije valjano ako je proizvod pogrešno korišten, korišten suprotno od korisničkog priručnika ili je nepravilno priključen. Ovo jamstvo se ne primjenjuje na:
 - svako oštećenje proizvoda koje je rezultat nepravilnog održavanja
 - svaki proizvod koji je izmijenjen ili modificiran
 - svaki proizvod gdje su originalne identifikacijske oznake (zaštitni znak, serijski broj) izbrisane, zamijenjene ili uklonjene
 - svako oštećenje uzrokovano neprikladnim korištenjem korisničkog priručnika
 - svaki proizvod koji nije CE
 - svaki proizvod koji je pokušao popraviti neovlašten profesionalac ili bez prethodnog odobrenja od strane Techtron Industries
 - svaki proizvod priključen na nepravilno napajanje energijom (amperi, napon, frekvencija)
 - Svaki proizvod korišten s neodgovarajućom mješavinom (gorivo, ulje, postotak ulja)
 - svako oštećenje uzrokovano vanjskim utjecajima (kemijsko, fiziko, udar) ili stranim stvarima
 - normalno trošenje i habanje rezervnih dijelova
 - nepravilno korištenje, preopterećenje alata
 - korištenje neodobrenog dodatnog pribora ili dijelova
 - rasplinjača nakon 6 mjeseci, podešavanje rasplinjača nakon 6 mjeseci
 - komponente (dijelovi i dodatni pribor) koji su predmet prirodnog trošenja i habanja, uključujući ne ograničavajući se na gumbce za otpuštanje, pogonske remene, spojku, oštrice trimera za grmlje ili kosilicu, kope, sajle gasa, ugljene četke, kabele za napajanje, noževe, podloške, ztkice za zgloznu vezu, ventilatore puhalice, cijevi za ispuhivanje i usisavanje, vakuumske vrećice i trake, vodilice, lance pile, crijeva, priključene elemente, mlaznice za raspršivanje, kotače, kopljica za raspršivanje, unutarne kolute, vanjske kaleme, fiksavce, svječice, filtre za zrak, filtre za plin, oštrice za usitnjavanje itd.
- Za servisiranje, proizvod se mora poslati ili predati ovlaštenoj stanici za servis tvrtke RYOBI navedenoj za svaku zemlju u sljedećem popisu adresa stanica za servis. U nekim zemljama vaši lokalni RYOBI zastupnik obavezan je poslati proizvod u servisnu organizaciju tvrtke RYOBI. Prilikom slanja proizvoda u stanicu za servis tvrtke RYOBI, proizvod treba biti sigurno pakiran bez ikakvog opasnog sadržaja poput benzina, s označenom adresom pošiljatelja i pripadajućim kratkim opisom pogreške.
- Popravak/zamjena pod ovim jamstvom se ne naplaćuje. Ne produžuje zakonsko ili ne započinje novo jamstveno razdoblje. Zamijenjeni dijelovi ili alati postaju naše vlasništvo. U nekim zemljama pošiljatelj plaća poštarinu.
- Ovo jamstvo je valjano u Europskoj zajednici, Švicarskoj, Islandu, Norveškoj, Lichtenštajnu, Turskoj i Rusiji. Izvan ovih područja molimo vas da kontaktirate vašeg ovlaštenog zastupnika RYOBI kako biste odredili ako se primjenjuje druga jamstva.

OVLAŠTENI SERVISNI CENTAR

Za pronalaženje ovlaštenog servisnog centra pored vas posjetite <http://uk.ryobitools.eu/header/service-and-support/service-agents>.

SL GARANCIJA

Poleg kakršnih koli zakonskih pravic, ki jih pridobite z nakupom, za ta izdelek velja tudi garancija, kot je opisano spodaj.

- Garancijsko obdobje je 24 mesecev za potrošnike in se začne z datumom nakupa. Ta datum mora biti dokumentiran z računom ali drugim dokazilom o nakupu. Izdelek je namenjen in posevčen le potrošniški in zasebni uporabi. Zato garancija ne velja za profesionalno ali komercialno uporabo.
- V nekaterih primerih (npr. promocija, obseg orodij) obstaja možnost podaljšanja garancijskega obdobja prek zgoraj opisanega obdobja, kar je mogoče storiti z registracijo na spletnem mestu www.ryobitools.eu. Namen orodja je jasno označen v trgovinah in/ali na embalaži. Končni uporabnik mora svoje novo orodje registrirati prek spleta v 8 dneh od datuma nakupa. Končni uporabnik se lahko registrira za podaljšano garancijo v svoji državi, kjer ima stalno prebivališče, če je država vključena na seznam v obrazcu za registracijo, kjer je ta možnost veljavna. Poleg tega mora končni uporabnik odobriti shranjevanje podatkov, ki so potrebni za spletni vstop, in morajo sprejeti pogoje in določila. Potrdilo o registraciji, ki se pošlje po e-pošti, ter originalni račun, na katerem je naveden datum nakupa, veljata kot dokazilo o podaljšani garanciji. Vaše zakonske pravice ostanejo nespremenjene.
- Garancija krje vse okvare izdelka med garancijskim obdobjem zaradi napak v izdelavi ali materialu na datum nakupa. Garancija je omejena na popravilo/zamenjavo in ne vključuje drugih obveznosti, med drugim ne vključuje obveznosti zaradi nenamerne ali posledične škode. Garancija ni veljavna, če je bil izdelek zlorabljen, uporabljen v nasprotju z navodili za uporabo ali nepravilno priključen. Garancija ne velja:
 - za kakršno koli poškodbo izdelka, ki je posledica neprimernega vzdrževanja,
 - če je bil izdelek spremenjen ali modificiran,
 - če so originalne identifikacijske oznake (blagovna znamka, serijska številka) na izdelku poškodovane, spremenjene ali odstranjene,
 - če je do poškodbe prišlo zaradi neupoštevavanja navodil za uporabo,
 - za katere koli izdelke, ki niso skladni z oznako CE,
 - če je izdelek poskusil opraviti neusposobljen strokovnjak ali brez predhodne odobritve družbe Techtronic Industries,
 - če je bil izdelek priključen na neustrezno električno omrežje (jakost, napetost, frekvenca),
 - če je bil izdelek uporabljen z neustrezno mešanico goriva (gorivo, olje, odstotek olja),
 - če je do poškodbe prišlo zaradi zunanjih vplivov (kemični, fizični, udarci) ali tujih snovi,
 - za normalno obrabo nadomestnih delov,
 - neustrezne uporabe, preobremenitve orodja,
 - uporabe neodobrenih dodatkov ali delov,
 - za uplinjač po 6 mesecih, prilagoditve uplinjača po 6 mesecih,
 - za sestavne dele (dele in dodatke), ki so podvrženi normalni obrabi, med drugim za vzmetne gume, pogonske jermene, sklopko, rezila obrezovalnikov ali kosilnic, nosilni trak, kabelske dušilke, karbonskih krtačk, napajalnega kabla, zobovje, polstene podložke, varnostne zatiče, ventilatorje, puhalne in sesalne cevi, sesalne vreče in trakove, vodila, verige za žage, gibljive cevi, nastavke priključkov, pršilne šobe, kolesa, pršilne palice, notranje kolute, zunanja vretena, rezalne nitke, vžigalne svečke, zračne filtre, plinske filtre, drobilna rezila itd.,
- Za servisiranje je treba izdelek poslati ali prinesiti v pooblaščen servisni center RYOBI, ki je za vsako državo naveden na naslednjem seznamu z naslovi servisnih centrov. V nekaterih državah pošiljanje izdelka servisnemu centru RYOBI prevzame lokalni trgovec z izdelki RYOBI. Za pošiljanje servisnemu centru RYOBI mora biti izdelek varno zapakiran, brez kakršnih koli nevarnih snovi, npr. gorivo, označen z naslovom pošiljatelja, priložen pa mora biti kratek opis napake.
- Popravilo/nadomestilo v sklopu te garancije je brezplačno. Ne pomeni podaljšanja ali novega začetka garancijskega obdobja. Zamenjani deli ali orodja postanejo naša last. V nekaterih državah mora stroške pošiljanja ali dostave poravnati pošiljatelj.
- Ta garancija je veljavna v Evropski skupnosti, Švicji, na Islandiji, Norveškem, v Liechtensteinu, Turčiji in Rusiji. Izven teh področij stopite v stik s pooblaščenim trgovcem RYOBI, da ugotovite, ali velja katera druga garancija.

POOBLAŠČEN SERVISNI CENTER

Pooblaščen servisni center blizu vas poiščite na <http://uk.ryobitools.eu/header/service-and-support/service-agents>.

SK ZÁRUKA

Okrem zákonných práv vyplývajúcich zo zakúpenia je tento produkt pokrytý zárukou, ako je uvedené nižšie.

- Záručná doba pre spotrebiteľov je 24 mesiacov a začína dňom zakúpenia produktu. Tento dátum musí byť zdokumentovaný faktúrou alebo iným dokladom o kúpe. Tento produkt je navrhnutý a určený len na potrebné a osobné použitie. Takže v prípade profesionálneho alebo komerčného použitia neplatí žiadna záruka.
- V niektorých prípadoch (napr. reklamná akcia, rad produktov) existuje možnosť predĺženia záručnej doby nad dobu uvedenú vyššie pomocou registrácie na webovej stránke www.ryobitools.eu. Spôsobilosť nástroja je zreteľne zobrazená v obchodoch a ha obale. Koncový používateľ si musí zaregistrovať svoje novonadobudnuté nástroje online do 8 dní odo dňa zakúpenia. Koncový používateľ sa môže zaregistrovať za účelom získania predĺženej záruky vo svojej krajine, ak je uvedená v online registračnom formulári, kde je táto možnosť platná. Okrem toho musia koncoví používatelia poskytnúť súhlas k uloženiu údajov, ktoré sa zadávajú online a musia súhlasiť so zmluvnými podmienkami. Doklad s potvrdením o registrácii, ktorý posielame prostredníctvom e-mailu a originál faktúry s uvedeným dátumom zakúpenia slúžia ako dôkaz predĺženej záruky. Vaše zákonné práva ostávajú nedotknuté.
- Táto záruka pokrýva všetky poruchy produktu počas záručnej doby, ktoré vznikli následkom nedostatkov vo vypracovaní alebo materiáli v deň zakúpenia. Táto záruka je omezená na opravu alebo výmenu a nezahŕňa ďalšie povinnosti, napríklad vedľajšie alebo následné škody. Táto záruka je neplatná, ak bol produkt požívaný nesprávne, používaný v rozpore s návodom na použitie alebo nesprávne pripojený. Táto záruka sa nevzťahuje na:
 - akékoľvek poškodenie produktu, ku ktorému došlo následkom nesprávnej údržby
 - akýkoľvek produkt, ktorý bol pozmenený alebo upravený
 - akýkoľvek produkt, na ktorom boli poškodené pozmenené alebo odstránené originálne identifikačné znaky (obchodná známka, sériové číslo)
 - akékoľvek poškodenie spôsobené následkom neododržania návodu na použitie
 - akýkoľvek produkt iný ako CE
 - akýkoľvek produkt, o ktorého opravu sa pokúšal nekvalifikovaný odborník alebo v prípade opravy bez predchádzajúceho oprávnenia od spoločnosti Techtronic Industries
 - akýkoľvek produkt pripojený k nesprávnejmu napájaciemu zdroju (prúd, napätie, frekvencia)
 - akýkoľvek produkt použitý v nevhodnou palivovú zmesou (palivo, olej, percento oleja)
 - akékoľvek poškodenie spôsobené vonkajšími vplyvmi (chemické, fyzické, nárazy) alebo cudzími látkami
 - bežné opotrebenie náhradných dielov
 - nesprávne používanie a pretážovanie nástroja
 - používanie neschváleného príslušenstva alebo dielov
 - karburátor po 6 mesiacoch, úpravy karburátora po 6 mesiacoch
 - komponenty (diely a príslušenstvo), ktoré podliehajú prirodzenému opotrebeniu, napríklad pružinové tlačidlá, hnacie remene, spojka, ostria strihača živého plotu alebo kosačky trávy, postroj, ťahadlo škrťacej klapky, uhľikové kefky, napájaci kábel, končeky, plstené podložky, kolký s háčikom, ventilátory dýchadla, rúrky dýchadla a vysávača, vrecko a remene vysávača, vodiace lišty, pilové reťaze, hadice, konektorové armatúry, rozprašovače trysky, koleska, striekacie tyče, vnútorné navijaky, vonkajšie cievy, rezné drôty, zapalovače sviečky, vzduchové filtre, benzínové filtre, mulčovacie ostria a pod.
- Na servis sa musí produkt odoslať alebo predložiť autorizovanému servisnému centru RYOBI uvedenému pre každú krajinu v nasledujúcom zozname adres servisných staníc. V niektorých krajinách pošle produkt do servisnej organizácie RYOBI váš miestny predajca produktov RYOBI. Pri odosielaní produktu do servisnej stanice RYOBI musí byť produkt bezpečne zabalený bez akéhokoľvek nebezpečného obsahu, napríklad paliva, označený adresou odosielateľa a musí byť k nemu priložený krátky popis poruchy.
- Oprava či výmena v rámci tejto záruky je bezplatná. Nevplyvva z nej predĺženie či nový začiatok záručnej doby. Vymenené diely alebo nástroje sa stávajú našim majetkom. V niektorých krajinách doručovací poplatok alebo poštovné platí odosielateľ.
- Táto záruka je platná v Európskej únii, Švajčiarsku, na Islande, v Nórsku, Lichtenštajnsku, Turecku a Rusku. Mimo týchto oblastí kontaktujte autorizovaného predajcu spoločnosti Ryobi, u ktorého zistíte, či platí nejaká iná záruka.

AUTORIZOVANÉ SERVISNÉ CENTRUM

Ak chcete nájsť najbližšie autorizované servisné centrum, navštívte stránku <http://uk.ryobitools.eu/header/service-and-support/service-agents>.

BG ГАРАНЦИЯ

В допълнение към законоустановените права, произтичащи от покупката, този продукт е обхванат от гаранция, както е изложено по-долу.

- Гаранционният срок е 24 месеца за клиенти и започва да тече от деня на закупуване на продукта. Тази дата трябва да се докаже с фактура или друго доказателство за покупка. Продуктът е изработен и предназначен само за потребителска и лична употреба. Следователно не се дава гаранция в случай на използване от професионалисти или с търговска цел.
- В някои случаи (като промоция, гама инструменти) съществува възможност за удължаване на гаранционния срок след изтичането на описания тук чрез регистрацията на уеб сайта www.yobitools.eu. Дали инструментът отговаря на условията за такова удължаване, ясно показано в магазини и/или върху опаковката. Крайният потребител трябва да регистрира своите новопридобити инструменти онлайн в рамките на 8 дни от датата на покупка. Крайният потребител може да се регистрира за удължена гаранция в държавата си на пребиваване, ако е посочена във формуляра за онлайн регистрация като място, където тази опция е валидна. Освен това крайните потребители трябва да дадат съгласието си за съхранение на данните, които са задължителни за ползване онлайн, и трябва да приемат общите условия. Полученото потвърждение за регистрация, изработено по имейл, и оригиналната фактура, показваща датата на покупка, ще служат като доказателство за удължената гаранция. Законоустановените Ви права остават незаосенати.
- Гаранцията покрива всички дефекти на продукта по време на гаранционния срок, които се дължат на проблеми в изработката или материалите към момента на покупката. Гаранцията е ограничена до ремонт и/или замяна и не включва други задължения, включително, но не само, случайни или закономерни щети. Гаранцията е невалидна, ако продуктът е използван неправилно или в противоречие с ръководството с инструкции, както и ако е свързан неправилно. Тази гаранция не важи за:
 - щети по продукта в резултат на неправилна профилировка;
 - продукти, които са били изменени или модифицирани;
 - продукт, при който оригиналните маркировки за идентификация (търговска марка, серийн номер) са изтрети, променени или премахнати;
 - повреда, причинена от неспазване на ръководството с инструкции;
 - продукт без CE маркировка;
 - продукт, за който е направен опит за ремонт от невалифициран специалист или без предварително разрешение от Techtronic Industries;
 - продукт, свързан към неподходящо електрохранване (ампераж, волтаж, честота);
 - продукт, използван с неподходяща горивна смес (гориво, масло, процент масло);
 - щети, причинени от външни влияния (химични, физични, удари) или чужди вещества;
 - нормално износване на резервни части;
 - неподходяща употреба, претоварване на инструмента;
 - използване на неодобрени аксесоари или части;
 - карбуратора след 6 месеца, настройки на карбуратора след 6 месеца;
 - компоненти (част и аксесоари), подложени на естествено износване, включително, но не само, копчета за гласане, задвижващи ремъци, съединител, остриета на ножници за жив плет, косачки, самар, кабелен дротел, карбонови четки, захванващ кабел, остриета, фицови шайби, осигурителни цифрове, вентилатори на уреди за обдухване, тръби за обдухване и всмукване, торба за отпадъци и ремъци, водеща шапер, вериги за триони, маркучи, фитинги на конектори, дюзи, копела, пръскалки, вътрешни и външни макари, режещо влакно, запалителни свещи, въздушни филтри, горивни филтри, остриета за мулчиране и т.н.
- За обслужване продуктът трябва да се изпрати или занесе на авторизиран сервиз на RYOBI, посочен за всяка държава в следния списък с адреси на сервиси. В някои държави местният търговец на RYOBI поема да изпрати продукта до сервизен център на RYOBI. При изпращане на продукт до сервиз на RYOBI продуктът трябва да е опакован безопасно без опасност съдържане, като бензин, да е маркиран с адреса на подателя и придружен от кратко описание на повредата.
- Ремонтът или замяната по силата на тази гаранция са безплатни. Те не водят до удължаване или подновяване на гаранционния срок. Сменените части или инструменти стават наша собственост. В някои държави таксите за доставка или изпращане трябва да се платят от подателя.
- Тази гаранция е валидна в Европейската общност, Швейцария, Исландия, Норвегия, Лихтенщайн, Турция и Русия. Извън тези области се свържете с упълномощения търговец на RYOBI, за да се установи дали са приложими други гаранции.

УПЪЛНОМОЩЕН СЕРВИЗЕН ЦЕНТЪР

За да намерите упълномощен сервизен център близо до вас, посетете <http://uk.yobitools.eu/header/service-and-support/service-agents>.

UK ГАРАНТИЯ

На додаток до любих законних прав, що випливають з покупки, цей продукт покривається гарантією, як зазначено нижче.

- Гарантійний термін складає 24 місяці від споживачів і, починається з дати придбання продукту. Ця дата повинна бути задокументована рахунком або іншим документом, що підтверджує покупку. Продукт розроблений і призначений для споживача і тільки для приватного використання. Таким чином, немає ніякої гарантії, у разі професійного або комерційного використання.
- Наведені деякі випадки (наприклад, підтримка, ряд інструментів), можливості розширення гарантійного терміну протягом періоду, описаного вище, з використанням реєстрації на сайті www.yobitools.eu. Придатність інструменту чітко відображається в магазинах та / або на упаковці. Кінцевий користувач повинен зареєструвати його / її ново придбаний інструмент онлайн протягом 8 днів з моменту покупки. Кінцевий користувач може зареєструватися на розширену гарантію у своїй країні проживання, якщо ця країна є в онлайн формі реєстрації, де ця опція діє. Крім того, кінцеві користувачі повинні дати свою згоду на зберігання даних, які необхідні для онлайн входу і вони повинні прийняти терміни та умови. Квитанція підтвердження реєстрації, яка розсилається по електронній пошті, та оригінал рахунку-фактури із зазначенням дати покупки будуть служити доказом розширеної гарантії. Ваші законні права залишаються в силі.
- Гарантія покриває всі дефекти продукту протягом гарантійного періоду, пов'язані з недоліками виготовлення або матеріалу на дату покупки. Гаранція обмежується ремонтом та / або заміною, і не покриває будь-які інші зобов'язання, включаючи, але не обмежуючись випадковими або непрямими збитками. Гарантія не діє, якщо продукт неправильно використовувався всупереч інструкції, або був неправильно підключений. Ця гарантія не поширюється на:
 - будь-яке пошкодження продукту, яке є результатом неправильного технічного обслуговування
 - будь-який продукт, який був модифікований або модифікований
 - будь-який продукт, де оригінальні ідентифікаційні (торгова марка, серійний номер) маркування були зіпсовані, змінені або видалені
 - будь-який збиток, заподіяний в результаті недотримання керівництва з експлуатації
 - будь-який не CE продукт
 - будь-який виріб, який був відремонтований неваліфікованим спеціалістом або без попереднього дозволу Techtronic Industries
 - будь-який продукт підключений до неналежного живлення (підсилювачі, напруга, частота)
 - будь-який збиток, заподіяний зовнішнім впливом (хімічними, фізичними, ударами) або стороннім речовинами
 - передбачене зношення запасних частин
 - неправильне використання, перевантаження інструменту
 - використання незатверджених запасних частин або аксесуарів
 - карбуратор через 6 місяців, коригування карбуратора після 6 місяців
 - аксесоари електроінструменту надані з інструментом або куплені окремо. Такі вироби включають, але не обмежуються гвинтовою викруточкою, свердлами, абразивними дисками, наждачним шпером і лезами, бачним спрямовувачим пристроєм
 - компоненти (частини та аксесоари), схильні до природного зносу, в тому числі, але не обмежуючись щітком, патроном, шнуром живлення, додатковою рукояткою, шліфувальними пластинами, мішком для пилу, витяжною трубою
- Для обслуговування виріб має бути відправлено або представлено в уповноважений RYOBI центр технічного обслуговування, перерахований для кожної країни в наступному списку адресів технічних центрів. У деяких країнах місцевий дилер RYOBI зобов'язується відправити виріб в сервісній організації RYOBI. При відправці продукту до станції технічного обслуговування RYOBI, продукт повинен бути надійно упакований, без жодного небезпечного вмісту, такого як бензин, відмічений адресною відправника і супроводжуватися коротким описом несправності.
- Ремонт / заміна по гарантії безкоштовні. Це не розширює або не починає новий гарантійний термін. Замінені частини або інструменти стають нашою власністю. У деяких країнах вартість доставки або відсилки повинні бути оплачені відправником.
- Ця гарантія дієсна в Європейському Співтоваристві, Швейцарії, Ісландії, Норвегії, Лихтенштейні, Туреччині та Росії. За межами цих областей, будь ласка, зв'яжіться з офіційним дилером RYOBI, щоб визначити, якщо поширюється інша гарантія

АВТОРИЗОВАНІ СЕРВІСНІ ЦЕНТРИ

Для отримання оновленого переліка авторизованих сервісних центрів, відвідайте <http://uk.yobitools.eu/header/service-and-support/service-agents>

EN EC DECLARATION OF CONFORMITY

Techtronic Industries GmbH
Max-Eyth-Straße 10, 71364 Winnenden, Germany

Herewith we declare that the product

Pruner Attachment
Brand: Expand-It
Model number: RXPR01
Serial number range: 44471201000001-44471201999999

is in conformity with the following European Directives and harmonised standards

For assembling with petrol-driven power head
2006/42/EC, 2004/108/EC (until April 19, 2016), 2014/30/EU (after April 20, 2016),
2000/14/EC, 2005/88/EC, 97/68/EC as last amended 2012/46/EU, EN ISO 11680-
1:2011, EN ISO 14982:2009, EN ISO 3744:2010

For assembling with electric-driven power head
2006/42/EC, 2004/108/EC (until April 19, 2016), 2014/30/EU (after April 20, 2016),
2000/14/EC, 2005/88/EC, 2011/65/EU, EN 60745-1:2009+A11:2010, EN ISO
11680-1:2011, EN ISO 3744:2010, EN 55014-1:2006+A1:2009+A2:2011, EN
55014-2:1997+A1:2001+A2:2008, EN 61000-3-2:2014, EN 61000-3-3:2013, EN
50581:2012

The Pruner Attachment (RXPR01) is intended to assemble with all Ryobi / Homelite petrol-driven power head of 30cc or less and electric-driven power head RLT12381/RBC12261/RPH1200.

This partly completed machinery must not be put into service until the final machinery into which it is to be incorporated has been declared in conformity with the provisions of the Machinery Directive 2006/42/EC, where appropriate.

Andrew John Eyre (BEng, CEng, MIET)
Vice President, Regulatory & Safety
Winnenden, Feb. 19, 2016

Authorised to compile the technical file:
Alexander Krug, Managing Director
Techtronic Industries GmbH
Max-Eyth-Straße 10, 71364 Winnenden, Germany

DE EC KONFORMITÄTSERKLÄRUNG

Techtronic Industries GmbH
Max-Eyth-Straße 10, 71364 Winnenden, Germany

Hiermit erklären wir, dass die Produkte

Entaster Aufsatz
Marke: Expand-It
Modellnummer: RXPR01
Seriennummernbereich: 44471201000001-44471201999999

mit den folgenden europäischen Richtlinien und harmonisierten Normen entspricht

Für die Montage mit benzinbetriebenen Antriebskopf
2006/42/EC, 2004/108/EC (bis April 19, 2016), 2014/30/EU (nach April 20, 2016),
2000/14/EC, 2005/88/EC, 97/68/EC wie zuletzt geändert 2012/46/EU, EN ISO 11680-
1:2011, EN ISO 14982:2009, EN ISO 3744:2010

Für die Montage mit elektrisch betriebenen Antriebskopf
2006/42/EC, 2004/108/EC (bis April 19, 2016), 2014/30/EU (nach April 20, 2016),
2000/14/EC, 2005/88/EC, 2011/65/EU, EN 60745-1:2009+A11:2010, EN ISO
11680-1:2011, EN ISO 3744:2010, EN 55014-1:2006+A1:2009+A2:2011, EN
55014-2:1997+A1:2001+A2:2008, EN 61000-3-2:2014, EN 61000-3-3:2013, EN
50581:2012

Der Entaster-Aufsatz (RXPR01) ist für die Verwendung mit allen benzinbetriebenen Ryobi/Homelite-Antriebsköpfen mit 30cc oder weniger oder mit elektrisch betriebenen Antriebsköpfen mit RLT12381/RBC12261/RPH1200 geeignet.

Diese teilweise montierte Maschine darf nicht in Betrieb genommen werden, bis die endgültige Maschinerie, in welche diese Maschine integriert wird, gegebenenfalls den Bestimmungen der Maschinenrichtlinie 2006/42/EC entspricht.

Andrew John Eyre (BEng, CEng, MIET)
Vizepräsident, Vorschriften und Sicherheit
Winnenden, Feb. 19, 2016

Autorisiert die technische Datei zu erstellen:
Alexander Krug, Geschäftsführer
Techtronic Industries GmbH
Max-Eyth-Straße 10, 71364 Winnenden, Germany

FR DÉCLARATION DE CONFORMITÉ EC

Techtronic Industries GmbH
Max-Eyth-Straße 10, 71364 Winnenden, Germany

Déclarons par la présente que le produit

Accessoire élagueur
Marque: Expand-It
Numéro de modèle: RXPR01
Étendue des numéros de série: 44471201000001-44471201999999

est conforme aux Directives Européennes et Normes Harmonisées suivantes

Pour montage avec tête d'entraînement à essence
2006/42/EC, 2004/108/EC (jusqu'au April 19, 2016), 2014/30/EU (à partir du April 20,
2016), 2000/14/EC, 2005/88/EC, 97/68/EC modifié en dernier lieu 2012/46/EU, EN
ISO 11680-1:2011, EN ISO 14982:2009, EN ISO 3744:2010

Pour montage avec tête d'entraînement électrique
2006/42/EC, 2004/108/EC (jusqu'au April 19, 2016), 2014/30/EU (à partir du April 20,
2016), 2000/14/EC, 2005/88/EC, 2011/65/EU, EN 60745-1:2009+A11:2010, EN
ISO 11680-1:2011, EN ISO 3744:2010, EN 55014-1:2006+A1:2009+A2:2011, EN
55014-2:1997+A1:2001+A2:2008, EN 61000-3-2:2014, EN 61000-3-3:2013, EN
50581:2012

Accessoire élagueur (RXPR01) est conçu pour être monté avec toutes les têtes d'entraînement à essence Ryobi/Homelite de 30cc ou moins, et avec la tête d'entraînement électrique RLT12381/RBC12261/RPH1200.

Cette portion de machine ne doit être mise en service avant que la machine dans laquelle elle doit être montée n'ait été déclarée conforme avec les dispositions de la Directive Machinery 2006/42/EC, lorsque cela s'applique.

Andrew John Eyre (BEng, CEng, MIET)
Vice-Président, Réglementation & Sécurité
Winnenden, Feb. 19, 2016

Autorisé à rédiger le dossier technique:
Alexander Krug, Directeur Général
Techtronic Industries GmbH
Max-Eyth-Straße 10, 71364 Winnenden, Germany

ES DECLARACIÓN EC DE CONFORMIDAD

Techtronic Industries GmbH
Max-Eyth-Straße 10, 71364 Winnenden, Germany

Por la presente declaramos que los productos

Accesorio para podar
Marca: Expand-It
Número de modelo: RXPR01
Intervalo del número de serie: 44471201000001-44471201999999

se encuentra en conformidad con las siguientes Directivas Europeas y normas armonizadas

Para montar con cabezal de potencia de gasolina
2006/42/EC, 2004/108/EC (hasta April 19, 2016), 2014/30/EU (desde April 20, 2016),
2000/14/EC, 2005/88/EC, 97/68/EC según última modificación 2012/46/EU, EN ISO
11680-1:2011, EN ISO 14982:2009, EN ISO 3744:2010

Para montar con cabezal de potencia eléctrico
2006/42/EC, 2004/108/EC (hasta April 19, 2016), 2014/30/EU (desde April 20,
2016), 2000/14/EC, 2005/88/EC, 2011/65/EU, EN 60745-1:2009+A11:2010, EN
ISO 11680-1:2011, EN ISO 3744:2010, EN 55014-1:2006+A1:2009+A2:2011, EN
55014-2:1997+A1:2001+A2:2008, EN 61000-3-2:2014, EN 61000-3-3:2013, EN
50581:2012

Accesorio para podar (RXPR01) está destinado para montarse con todos los cabezales de potencia de gasolina Ryobi/Homelite de 30 cc o menos, o con el cabezal de potencia eléctrico RLT12381/RBC12261/RPH1200.

Esta maquinaria, casi completa, no debe ponerse en marcha hasta que la maquinaria final en la que va a incorporarse se declare en conformidad con las disposiciones de la Directiva 2006/42/EC relativa a las máquinas, cuando proceda.

Andrew John Eyre (BEng, CEng, MIET)
Vicepresidente, Director General de Normativa y Seguridad
Winnenden, Feb. 19, 2016

Autorizado para elaborar la ficha técnica:
Alexander Krug, Administrador Ejecutivo
Techtronic Industries GmbH
Max-Eyth-Straße 10, 71364 Winnenden, Germany

IT DICHIARAZIONE DI CONFORMITÀ EC

Techtronic Industries GmbH
Max-Eyth-Straße 10, 71364 Winnenden, Germany

Si dichiara con la presente che il prodotto

Accessorio potatore
Marca: Expand-It
Numero modello: RXPR01
Gamma numero seriale: 44471201000001-44471201999999

è conforme alle seguenti Direttive Europee e ai seguenti standard armonizzati

Per l'assemblaggio con motore a benzina
2006/42/EC, 2004/108/EC (fino a April 19, 2016), 2014/30/EU (da April 20, 2016),
2000/14/EC, 2005/88/EC, 97/68/EC modificata da ultimo 2012/46/EU, EN ISO 11680-1:2011, EN ISO 14982:2009, EN ISO 3744:2010

Per l'assemblaggio con motore elettrico
2006/42/EC, 2004/108/EC (fino a April 19, 2016), 2014/30/EU (da April 20, 2016),
2000/14/EC, 2005/88/EC, 2011/65/EU, EN 60745-1:2009+A11:2010, EN ISO 11680-1:2011, EN ISO 3744:2010, EN 55014-1:2006+A1:2009+A2:2011, EN 55014-2:1997+A1:2001+A2:2008, EN 61000-3-2:2014, EN 61000-3-3:2013, EN 50581:2012

Accessorio potatore (RXPR01) è stato progettato per essere assemblato con tutti i motori a benzina Ryobi/Homelite da 30cc o inferiore o con motore elettrico RLT1238I/RBC1226I/RPH1200.

Se l'utensile non è stato completamente montato non deve essere messo in funzione fino a che la macchina nella quale è incorporato non sia stata dichiarata conforme con quanto indicato nelle norme della Direttiva Macchine 2006/42/EC ove appropriato.

Andrew John Eyre (BEng, CEng, MIET)
Vice-Presidente, Dipartimento Regolazioni & Sicurezza
Winnenden, Feb. 19, 2016

Autorizzato per compilare il file tecnico:
Alexander Krug, Direttore Amministrativo
Techtronic Industries GmbH
Max-Eyth-Straße 10, 71364 Winnenden, Germany

PT DECLARAÇÃO EC DE CONFORMIDADE

Techtronic Industries GmbH
Max-Eyth-Straße 10, 71364 Winnenden, Germany

Pelo presente declaramos que os produtos

Accessório podadeira
Marca: Expand-It
Número do modelo: RXPR01
Intervalo do número de série: 44471201000001-44471201999999

se encontra em conformidade com as seguintes Directivas Europeias e normas harmonizadas

Para montagem em cabeça motriz a gasolina
2006/42/EC, 2004/108/EC (até April 19, 2016), 2014/30/EU (desde April 20, 2016),
2000/14/EC, 2005/88/EC, 97/68/EC conforme a última correção 2012/46/EU, EN ISO 11680-1:2011, EN ISO 14982:2009, EN ISO 3744:2010

Para montagem em cabeça motriz eléctrica
2006/42/EC, 2004/108/EC (até April 19, 2016), 2014/30/EU (desde April 20, 2016), 2000/14/EC, 2005/88/EC, 2011/65/EU, EN 60745-1:2009+A11:2010, EN ISO 11680-1:2011, EN ISO 3744:2010, EN 55014-1:2006+A1:2009+A2:2011, EN 55014-2:1997+A1:2001+A2:2008, EN 61000-3-2:2014, EN 61000-3-3:2013, EN 50581:2012

Accessório podadeira (RXPR01) destina-se a ser utilizado com todas as cabeças motrizes Ryobi/Homelite a gasolina (até 30 cc) e com a cabeça motriz eléctrica RLT1238I/RBC1226I/RPH1200.

Esta maquinaria parcialmente completada não deve ser colocada em funcionamento até se encontrar na maquinaria final na qual será incorporada foi declarada em conformidade com as disposições da Directiva sobre Máquinas 2006/42/EC, quando apropriado.

Andrew John Eyre (BEng, CEng, MIET)
Vice-Presidente, Regulação & Segurança
Winnenden, Feb. 19, 2016

Autorizado para compilar o ficheiro técnico:
Alexander Krug, Administrador Executivo
Techtronic Industries GmbH
Max-Eyth-Straße 10, 71364 Winnenden, Germany

NL EC CONFORMITEITSVERKLARING

Techtronic Industries GmbH
Max-Eyth-Straße 10, 71364 Winnenden, Germany

Hierbij verklaren wij dat het product

Hoogsnoeier accessoire
Merk: Expand-It
Modelnummer: RXPR01
Serienummerbereik: 44471201000001-44471201999999

is in overeenstemming met de volgende Europese Richtlijnen en geharmoniseerde normen

Voor montage met de benzineaangedreven aandrijfkop
2006/42/EC, 2004/108/EC (tot April 19, 2016), 2014/30/EU (vanaf April 20, 2016),
2000/14/EC, 2005/88/EC, 97/68/EC zoals laatstelijk gewijzigd 2012/46/EU, EN ISO 11680-1:2011, EN ISO 14982:2009, EN ISO 3744:2010

Voor montage met de elektrisch aangedreven aandrijfkop
2006/42/EC, 2004/108/EC (tot April 19, 2016), 2014/30/EU (vanaf April 20, 2016),
2000/14/EC, 2005/88/EC, 2011/65/EU, EN 60745-1:2009+A11:2010, EN ISO 11680-1:2011, EN ISO 3744:2010, EN 55014-1:2006+A1:2009+A2:2011, EN 55014-2:1997+A1:2001+A2:2008, EN 61000-3-2:2014, EN 61000-3-3:2013, EN 50581:2012

Hoogsnoeier accessoire (RXPR01) is bedoeld voor montage met elke Ryobi/Homelite benzineaangedreven aandrijfkop van 30cc of minder en met de elektrisch aangedreven aandrijfkop RLT1238I/RBC1226I/RPH1200.

Dit deels afgewerkt werktuig mag niet in bedrijf worden gesteld voor de definitieve machine waarin dit werktuig moet worden opgenomen, in overeenstemming werd verklaard met de bepalingen van de Machineryrichtlijn 2006/42/EC, indien van toepassing.

Andrew John Eyre (BEng, CEng, MIET)
Vice-president, Regelgeving en Veiligheid
Winnenden, Feb. 19, 2016

Afgevaardigde voor het samenstellen van de technische fiche:
Alexander Krug, Directeur
Techtronic Industries GmbH
Max-Eyth-Straße 10, 71364 Winnenden, Germany

DA EC OVERENSSTEMMELSESERKLÆRING

Techtronic Industries GmbH
Max-Eyth-Straße 10, 71364 Winnenden, Germany

Vi erklærer hermed, at produktet

Grenkappellbehør
Brand: Expand-It
Modelnummer: RXPR01
Serienummerområde: 44471201000001-44471201999999

er i overensstemmelse med følgende EU-direktiver og harmoniserede standarder

For monterning med benzindrevet powerhead
2006/42/EC, 2004/108/EC (indtil April 19, 2016), 2014/30/EU (fra April 20, 2016),
2000/14/EC, 2005/88/EC, 97/68/EC som sidst ændret 2012/46/EU, EN ISO 11680-1:2011, EN ISO 14982:2009, EN ISO 3744:2010

For monterning med elektrisk drevet powerhead
2006/42/EC, 2004/108/EC (indtil April 19, 2016), 2014/30/EU (fra April 20, 2016),
2000/14/EC, 2005/88/EC, 2011/65/EU, EN 60745-1:2009+A11:2010, EN ISO 11680-1:2011, EN ISO 3744:2010, EN 55014-1:2006+A1:2009+A2:2011, EN 55014-2:1997+A1:2001+A2:2008, EN 61000-3-2:2014, EN 61000-3-3:2013, EN 50581:2012

Grenkappellbehør (RXPR01) er tiltenkt monterning med alle benzindrevne Ryobi/Homelite-powerheads på 30 cc eller mindre og med elektrisk drevne RLT1238I/RBC1226I/RPH1200-powerheads.

Denne delvist samlede maskine må ikke tages i brug, før den færdige maskine, som den skal være en del af, er blevet erklæret i overensstemmelse med bestemmelserne i maskindirektivet 2006/42/EC, hvor dette er relevant.

Andrew John Eyre (BEng, CEng, MIET)
Vicepræsident, Regler og Sikkerhed
Winnenden, Feb. 19, 2016

Bemyndiget til at udarbejde det tekniske kartotek:
Alexander Krug, Administrerende Direktør
Techtronic Industries GmbH
Max-Eyth-Straße 10, 71364 Winnenden, Germany

SV EC-KONFORMITETSDEKLARATION

Techtronic Industries GmbH
Max-Eyth-Straße 10, 71364 Winnenden, Germany

Härmed deklarerar vi att produkterna

Grensgätillsats
Märke: Expand-It
Modellnummer: RXPR01
Serienummerintervall: 44471201000001-44471201999999

är i enlighet med följande EU-direktiv och harmoniserade standarder

För montering med bensindrivet drivenhet
2006/42/EC, 2004/108/EC (till och med April 19, 2016), 2014/30/EU (från och med April 20, 2016), 2000/14/EC, 2005/88/EC, 97/68/EC enligt senaste tillägg 2012/46/EU, EN ISO 11680-1:2011, EN ISO 14982:2009, EN ISO 3744:2010

För montering med elektrisk drivenhet
2006/42/EC, 2004/108/EC (till och med April 19, 2016), 2014/30/EU (från och med April 20, 2016), 2000/14/EC, 2005/88/EC, 2011/65/EU, EN 60745-1:2009+A11:2010, EN ISO 11680-1:2011, EN ISO 3744:2010, EN 55014-1:2006+A1:2009+A2:2011, EN 55014-2:1997+A1:2001+A2:2008, EN 61000-3-2:2014, EN 61000-3-3:2013, EN 50581:2012

Grensgätillsats (RXPR01) avsett för montering med alla bensindrivna drivenheter på 30 cc eller mindre från Ryobi/Homelite eller med den elektriska drivenheten RLT1238I/RBC1226I/RPH1200.

Detta delvis färdigställda maskinen får inte användas innan den slutliga maskinen som den ska införas i har deklarerats som överensstämmande med maskindirektivet 2006/42/EC där så är tillämpligt.

Andrew John Eyre (BEng, CEng, MIET)
Vice President, Regelverk och Säkerhet
Winnenden, Feb. 19, 2016

Godkänd att sammanställa den tekniska filen:
Alexander Krug, VD
Techtronic Industries GmbH
Max-Eyth-Straße 10, 71364 Winnenden, Germany

NO EC-SAMSVARSERKLÆRING

Techtronic Industries GmbH
Max-Eyth-Straße 10, 71364 Winnenden, Germany

Herved erklærer vi at produktene

Grensgätillbehør
Märke: Expand-It
Modellnummer: RXPR01
Serienummerserie: 44471201000001-44471201999999

er i samsvar med følgende europeiske direktiver og harmoniserte standarder

För montering med bensindrevet kraftklide
2006/42/EC, 2004/108/EC (til April 19, 2016), 2014/30/EU (fra April 20, 2016), 2000/14/EC, 2005/88/EC, 97/68/EC etter siste endring 2012/46/EU, EN ISO 11680-1:2011, EN ISO 14982:2009, EN ISO 3744:2010

För montering med elektrisk drevet kraftklide
2006/42/EC, 2004/108/EC (til April 19, 2016), 2014/30/EU (fra April 20, 2016), 2000/14/EC, 2005/88/EC, 2011/65/EU, EN 60745-1:2009+A11:2010, EN ISO 11680-1:2011, EN ISO 3744:2010, EN 55014-1:2006+A1:2009+A2:2011, EN 55014-2:1997+A1:2001+A2:2008, EN 61000-3-2:2014, EN 61000-3-3:2013, EN 50581:2012

Grensgätillbehør (RXPR01) er godkjent for montering med alle Ryobi/Homelites bensindrevne kraftklide på 30 cc eller mindre, eller med RLT1238I/RBC1226I/RPH1200 strømmedret kraftklide.

Dette delvis fullførte maskineriet må ikke tas i bruk før det endelige maskineriet hvor det skal inkorporeres er erklært i samsvar med betingelsene i Maskindirektiv 2006/42/EC, hvor dette er passende.

Andrew John Eyre (BEng, CEng, MIET)
Visepresident, Forskifter og Sikkerhet
Winnenden, Feb. 19, 2016

Autorisert til å sette sammen den tekniske filen:
Alexander Krug, Administrerende Direktør
Techtronic Industries GmbH
Max-Eyth-Straße 10, 71364 Winnenden, Germany

FI EC-SÄÄNNÖSTEN NOUDATTAMINEN

Techtronic Industries GmbH
Max-Eyth-Straße 10, 71364 Winnenden, Germany

Ilmoitamme täten, että tuotteet

Vesurivaruuste
Tuotemerkki: Expand-It
Mallinumero: RXPR01
Sarjanumeralue: 44471201000001-44471201999999

noudattaa seuraavia EU-direktiivejä ja harmonoituja standardeja

Kytkeminen bensinikäyttöiseen moottoripäähän:
2006/42/EC, 2004/108/EC (April 19, 2016 saakka), 2014/30/EU (20 April 2016 alkaen), 2000/14/EC, 2005/88/EC, 97/68/EC kuten viimeksi lisäty 2012/46/EU, EN ISO 11680-1:2011, EN ISO 14982:2009, EN ISO 3744:2010

Kytkeminen sähkökäyttöiseen moottoripäähän
2006/42/EC, 2004/108/EC (April 19, 2016 alkaen), 2014/30/EU (20 April 2016 alkaen), 2000/14/EC, 2005/88/EC, 2011/65/EU, EN 60745-1:2009+A11:2010, EN ISO 11680-1:2011, EN ISO 3744:2010, EN 55014-1:2006+A1:2009+A2:2011, EN 55014-2:1997+A1:2001+A2:2008, EN 61000-3-2:2014, EN 61000-3-3:2013, EN 50581:2012

Vesurivaruuste (RXPR01) on tarkoitettu kaikkien bensinikäyttöisten, tilavuudeltaan enintään 30 cc Ryobi/Homelite-moottoripäiden tai sähkökäyttöisten RLT1238I/RBC1226I/RPH1200-moottoripäiden kanssa. Tätä osittain valmistia lattiaa ei saa ottaa käyttöön ennen kuin laite, johon se liitetään, on ilmoitettu yhdenmukaiseksi konedirektiivin 2006/42/EC kanssa, missä soveltuu.

Andrew John Eyre (BEng, CEng, MIET)
Varatoimitusjohtaja, Säästöstenmukaisuus ja Turvallisuus
Winnenden, Feb. 19, 2016

Valtuutettu kokoamaan tekninen tiedosto:
Alexander Krug, Toimitusjohtaja
Techtronic Industries GmbH
Max-Eyth-Straße 10, 71364 Winnenden, Germany

RU ЗАЯВЛЕНИЕ О СООТВЕТСТВИИ ТРЕБОВАНИЯМ ЕС

Techtronic Industries GmbH
Max-Eyth-Straße 10, 71364 Winnenden, Germany

Настоящим мы заявляем, что данный продукт

Аксессуар секатор
Марка: Expand-It
Номер модели: RXPR01
Диапазон заводских номеров: 44471201000001-44471201999999

соответствует требованиям следующих Директив ЕС и согласованных стандартов

Для установки на силовую голову с приводом от бензинового двигателя
2006/42/EC, 2004/108/EC (до April 19, 2016), 2014/30/EU (с April 20, 2016), 2000/14/EC, 2005/88/EC, 97/68/EC в последней редакции 2012/46/EU, EN ISO 11680-1:2011, EN ISO 14982:2009, EN ISO 3744:2010

Для установки на силовую голову с электрическим приводом
2006/42/EC, 2004/108/EC (до April 19, 2016), 2014/30/EU (с April 20, 2016), 2000/14/EC, 2005/88/EC, 2011/65/EU, EN 60745-1:2009+A11:2010, EN ISO 11680-1:2011, EN ISO 3744:2010, EN 55014-1:2006+A1:2009+A2:2011, EN 55014-2:1997+A1:2001+A2:2008, EN 61000-3-2:2014, EN 61000-3-3:2013, EN 50581:2012

Аксессуар секатор (RXPR01) предназначена для установки на все силовые головы Ryobi/Homelite с приводом от бензинового двигателя объемом до 30 куб.см и с электрическим приводом RLT1238I/RBC1226I/RPH1200.

Ввод в эксплуатацию данного частично готового оборудования должен производиться лишь после того, как будет подтверждено соответствие конечного оборудования, в состав которого оно должно быть включено, положениям Директивы по машинному оборудованию 2006/42/EC, где это требуется.

Andrew John Eyre (BEng, CEng, MIET)
Вице-Президент По Технике Безопасности И Стандартам
Winnenden, Feb. 19, 2016

Лицо, ответственное за подготовку технической документации:
Alexander Krug, Директор
Techtronic Industries GmbH
Max-Eyth-Straße 10, 71364 Winnenden, Germany



PL DEKLARACJA ZGODNOŚCI EC

Techtronic Industries GmbH
Max-Eyth-Straße 10, 71364 Winnenden, Germany

Niniejszym deklarujemy, że produkty

Ospzrzel okrzesywacza
Marka: Expand-It
Numer modelu: RXPR01
Zakres numerów serijnych: 44471201000001-44471201999999

jest zgodny z następującymi dyrektywami europejskimi i zharmonizowanymi normami

Dotyczy montażu z silnikami benzynowymi
2006/42/EC, 2004/108/EC (do April 19, 2016), 2014/30/EU (od April 20, 2016),
2000/14/EC, 2005/88/EC, 97/68/EC z ostatnimi zmianami w 2012/46/EU, EN ISO
11680-1:2011, EN ISO 14982:2009, EN ISO 3744:2010

Dotyczy montażu z silnikami elektrycznymi
2006/42/EC, 2004/108/EC (do April 19, 2016), 2014/30/EU (od April 20, 2016),
2000/14/EC, 2005/88/EC, 2011/65/EU, EN 60745-1:2009+A11:2010, EN ISO
11680-1:2011, EN ISO 3744:2010, EN 55014-1:2006+A1:2009+A2:2011, EN
55014-2:1997+A1:2001+A2:2008, EN 61000-3-2:2014, EN 61000-3-3:2013, EN
50581:2012

Ospzrzel okrzesywacza (RXPR01) została zatwierdzona dołączenia ze wszystkimi silnikami benzynowymi Ryobi/Homelite o pojemności 30 centymetrów sześciennych lub mniej, lub też z silnikiem elektrycznym RLT1238/RBC1226i/RPH1200. Częścielne sestawene zařizeni se nesmi nikdy uvést do chodu, aniž by stroj, v němž je zařizeni integrováno, nesplňoval požadavky prohlášení o shodě dle směrnice o strojních zařizeních 2006/42/EC, je-li to vhodné.

Andrew John Eyre (BEng, CEng, MIET)
Wiceprezes ds. Zgodności Prawnej i Bezpieczeństwa
Winnenden, Feb. 19, 2016

Osoba upoważniona do sporządzenia dokumentu technicznego:
Alexander Krug, Dyrektor Zarządzający
Techtronic Industries GmbH
Max-Eyth-Straße 10, 71364 Winnenden, Germany

HU EC MEGFELELŐSÉGI NYILATKOZAT

Techtronic Industries GmbH
Max-Eyth-Straße 10, 71364 Winnenden, Germany

Ezúton kijelentjük, hogy a termékek

Gallyazó láncfűrész fellett
Marka: Expand-It
Típuszám: RXPR01
Sorozatszám tartomány: 44471201000001-44471201999999

megfelel az alábbi Európai Irányelvek és harmonizált szabványok vonatkozó rendelkezéseinek

Benzines tápfejre szerelés esetén
2006/42/EC, 2004/108/EC (2016 April 19-ig), 2014/30/EU (2016 April 20-tól), 2000/14/EC, 2005/88/EC, 97/68/EC utolsó módosítás szerint 2012/46/EU, EN ISO 11680-1:2011, EN ISO 14982:2009, EN ISO 3744:2010

Elektramos tápfejre szerelés esetén
2006/42/EC, 2004/108/EC (2016 April 19-ig), 2014/30/EU (2016 April 20-tól), 2000/14/EC, 2005/88/EC, 2011/65/EU, EN 60745-1:2009+A11:2010, EN ISO 11680-1:2011, EN ISO 3744:2010, EN 55014-1:2006+A1:2009+A2:2011, EN 55014-2:1997+A1:2001+A2:2008, EN 61000-3-2:2014, EN 61000-3-3:2013, EN 50581:2012

Az (RXPR01) Gallyazó láncfűrész fellett, 30cc vagy kisebb Ryobi/Homelite, illetve elektramos RLT1238i/RBC1226i/RPH1200 tápfejre felszerelhető. Ez a részben összeszerelt gép nem helyezhető üzembe addig, amíg a célgép, amelyikbe ezt beépítik, nem rendelkezik a 2006/42/EC Gépészeti irányelv megfelelő követelményeinek való megfelelésségre vonatkozó nyilatkozattal.

Andrew John Eyre (BEng, CEng, MIET)
Alelnök, Megfelelőségi es Biztonsági Területek
Winnenden, Feb. 19, 2016

A műszaki dokumentáció összeállítására felhatalmazott:
Alexander Krug, Ügyvezető Igazgató
Techtronic Industries GmbH
Max-Eyth-Straße 10, 71364 Winnenden, Germany

CS PROHLÁŠENÍ O SHODĚ EC

Techtronic Industries GmbH
Max-Eyth-Straße 10, 71364 Winnenden, Germany

Tímto prohláujeme, že výrobky

Přislušenství k vyvřetovače
Značka: Expand-It
Číslo modelu: RXPR01
Rozsah sériových čísel: 44471201000001-44471201999999

že tento výrobek je v souladu s evropskými a harmonizovanými standardy

Montáž s benzýnovým řepadem
2006/42/EC, 2004/108/EC (do April 19, 2016), 2014/30/EU (od April 20, 2016),
2000/14/EC, 2005/88/EC, 97/68/EC ve změni pozdějších předpisů 2012/46/EU, EN
ISO 11680-1:2011, EN ISO 14982:2009, EN ISO 3744:2010

Montáž s elektrickým řepadem
2006/42/EC, 2004/108/EC (do April 19, 2016), 2014/30/EU (od April 20, 2016),
2000/14/EC, 2005/88/EC, 2011/65/EU, EN 60745-1:2009+A11:2010, EN ISO
11680-1:2011, EN ISO 3744:2010, EN 55014-1:2006+A1:2009+A2:2011, EN
55014-2:1997+A1:2001+A2:2008, EN 61000-3-2:2014, EN 61000-3-3:2013, EN
50581:2012

Přislušenství k vyvřetovače (RXPR01) je určen k použití se všemi benzýnovými řepadly značky Ryobi/Homelite o objemu 30 cm³ a méně nebo se elektrickým řepadem RLT1238i/RBC1226i/RPH1200. Částičné sestavené zařizeni se nesmi nikdy uvést do chodu, aniž by stroj, v němž je zařizeni integrováno, nesplňoval požadavky prohlášení o shodě dle směrnice o strojních zařizeních 2006/42/EC, je-li to vhodné.

Andrew John Eyre (BEng, CEng, MIET)
Viceprezident, Normy a Bezpečnost
Winnenden, Feb. 19, 2016

Pověření ke kompilaci technického souboru:
Alexander Krug, Generální Reditel
Techtronic Industries GmbH
Max-Eyth-Straße 10, 71364 Winnenden, Germany

RO DECLARAŢIE DE CONFORMITATE EC

Techtronic Industries GmbH
Max-Eyth-Straße 10, 71364 Winnenden, Germany

Prin prezenta, declarăm că produsele

Accesorii ferăstrău de crengi
Marca: Expand-It
Număr serie: RXPR01
Gamă număr serie: 44471201000001-44471201999999

este în conformitate cu următoarele Directive Europene și standarde armonizate

În situația asamblării pe un cap de antrenare cu motor pe benzină
2006/42/EC, 2004/108/EC (până la 19 April 2016), 2014/30/EU (de la 20 April 2016),
2000/14/EC, 2005/88/EC, 97/68/EC conform ultimelor amendamente 2012/46/EU, EN
ISO 11680-1:2011, EN ISO 14982:2009, EN ISO 3744:2010

În situația asamblării pe un cap de antrenare cu motor electric
2006/42/EC, 2004/108/EC (până la 19 April 2016), 2014/30/EU (de la 20 April 2016),
2000/14/EC, 2005/88/EC, 2011/65/EU, EN 60745-1:2009+A11:2010, EN
ISO 11680-1:2011, EN ISO 3744:2010, EN 55014-1:2006+A1:2009+A2:2011, EN
55014-2:1997+A1:2001+A2:2008, EN 61000-3-2:2014, EN 61000-3-3:2013, EN
50581:2012

Accesorii ferăstrău de crengi (RXPR01) este aprobată pentru a fi utilizată cu capetele de antrenare Ryobi/Homelite cu motor pe benzină de cel mult 30 cc sau cu capul de antrenare cu motor electric RLT1238i/RBC1226i/RPH1200. Această mașină parțial completă nu trebuie să fie pusă în folosință până când partea finală a mașinii care trebuie a fi încorporată nu a fost declarată în conformitate cu prevederile Directivei privind Instalatiile Mecanice 2006/42/EC, acolo unde este cazul.

Andrew John Eyre (BEng, CEng, MIET)
Vicepreședintele, Reglementare & Siguranță
Winnenden, Feb. 19, 2016

Autorizat să completeze fișa tehnică:
Alexander Krug, Director General
Techtronic Industries GmbH
Max-Eyth-Straße 10, 71364 Winnenden, Germany



LV EC ATBILSTĪBAS DEKLARĀCIJA

Techtronic Industries GmbH
Max-Eyth-Straße 10, 71364 Winnenden, Germany

Ar šo paziņojam, ka produkti

Pievienojams zaru zāģis
Zīmols: Expand-It
Modeļa numurs: RXPR01
Sērijas numura intervāls: 44471201000001-44471201999999

atbilst šādām Eiropas direktīvām un saskaņotajiem standartiem

Savienošanai ar benzīna piedziņas bloku
2006/42/EC, 2004/108/EC (Itdz April 19, 2016), 2014/30/EU (no April 20, 2016),
2000/14/EC, 2005/88/EC, 97/68/EC saskaņā ar pēdējām izmaiņām 2012/46/EU, EN
ISO 11680-1:2011, EN ISO 14982:2009, EN ISO 3744:2010

Savienošanai ar elektriskās piedziņas bloku
2006/42/EC, 2004/108/EC (Itdz April 19, 2016), 2014/30/EU (no April 20, 2016),
2000/14/EC, 2005/88/EC, 2011/65/EU, EN 60745-1:2009+A11:2010, EN ISO
11680-1:2011, EN ISO 3744:2010, EN 55014-1:2006+A1:2009+A2:2011, EN
55014-2:1997+A1:2001+A2:2008, EN 61000-3-2:2014, EN 61000-3-3:2013, EN
50581:2012

Pievienojams zaru zāģis (RXPR01) ir paredzēts lietošanai kombinācijā ar visiem Ryobi/
Homelite benzīna piedziņas blokiem ar darba tilpumu 30 cm3 vai mazāk, kā arī ar RLT1238I/
RBC1226I/RPH1200 elektriskās piedziņas bloku.
Šo daļēji nepabeigto ierīci nedrīkst ekspluatēt, līdz gala ierīce, kurā tā tiks iebūvēta, atbilstīgi
gadījumā nav atzīta kā atbilstīga Mašīnu direktīvas 2006/42/EC noteikumiem.

Andrew John Eyre (BEng, CEng, MIET)
Viceprezidents, Darba Drošības Noteikumi
Winnenden, Feb. 19, 2016

Plinvarots sastādīt tehnisko failu:
Alexander Krug, Izpildedzinātājs
Techtronic Industries GmbH
Max-Eyth-Straße 10, 71364 Winnenden, Germany

ET EC VASTAVUSDEKLARATSIOON

Techtronic Industries GmbH
Max-Eyth-Straße 10, 71364 Winnenden, Germany

Kinnitame, et see toode

Kārpja lisaseadme
Mark: Expand-It
Modeli number: RXPR01
Seerianumbril vahemik: 44471201000001-44471201999999

vastab järgmistele Euroopa direktiividele ja harmoniseeritud standarditele

Bensiinimootoriga kasutamiseks
2006/42/EC, 2004/108/EC (kuni April 19, 2016), 2014/30/EU (alates April 20, 2016),
2000/14/EC, 2005/88/EC, 97/68/EC viimati muudetud 2012/46/EU, EN ISO 11680-
1:2011, EN ISO 14982:2009, EN ISO 3744:2010

Elektrimootoriga kasutamiseks
2006/42/EC, 2004/108/EC (kuni April 19, 2016), 2014/30/EU (alates April 20,
2016), 2000/14/EC, 2005/88/EC, 2011/65/EU, EN 60745-1:2009+A11:2010, EN
ISO 11680-1:2011, EN ISO 3744:2010, EN 55014-1:2006+A1:2009+A2:2011, EN
55014-2:1997+A1:2001+A2:2008, EN 61000-3-2:2014, EN 61000-3-3:2013, EN
50581:2012

Kārpja lisaseadme (RXPR01) võib kasutada koos kõiude firma Ryobi/Homelite
bensinimootoriga, mille tōomahut on kuni 30cc ja elektrimootoriga RLT1238I/RBC1226I/
RPH1200.

Seda osaliselt ūhendatud seadet ei tohi kasutusele vōtta enne, kui ūhendatava masina
ohiduvus masinadirektiivi 2006/42/EC nōuetele on vajaduse korral deklareeritud.

Andrew John Eyre (BEng, CEng, MIET)
Asepresident Standardiseerimise ja Ohutuse Alal
Winnenden, Feb. 19, 2016

Tehnilise faili koostamiseks volitatud isik:
Alexander Krug, Tegevdirektor
Techtronic Industries GmbH
Max-Eyth-Straße 10, 71364 Winnenden, Germany

LT EC ATITIKTIKIES DEKLARACIJA

Techtronic Industries GmbH
Max-Eyth-Straße 10, 71364 Winnenden, Germany

Mes pareiškiame, kad šie produktai

Genētuvu priedas
Prekēs ženklas: Expand-It
Modelio numeris: RXPR01
Serijinio numerio diapazonas: 44471201000001-44471201999999

pagamintas laikantis toliau nurodytųjų Europos Direktyvų ir darniųjų standartų

[renginijams su benzinu varomais galios agregatais
2006/42/EC, 2004/108/EC (iki 2016 m. April 19 d.), 2014/30/EU (nuo 2016 m. April 20
d.), 2000/14/EC, 2005/88/EC, 97/68/EC su pakeltimis 2012/46/EU, EN ISO 11680-
1:2011, EN ISO 14982:2009, EN ISO 3744:2010

[renginijams su elektra varomais galios agregatais
2006/42/EC, 2004/108/EC (iki 2016 m. April 19 d.), 2014/30/EU (nuo 2016 m. April
20 d.), 2000/14/EC, 2005/88/EC, 2011/65/EU, EN 60745-1:2009+A11:2010, EN
ISO 11680-1:2011, EN ISO 3744:2010, EN 55014-1:2006+A1:2009+A2:2011, EN
55014-2:1997+A1:2001+A2:2008, EN 61000-3-2:2014, EN 61000-3-3:2013, EN
50581:2012

Genētuvu priedas (RXPR01) yra skirtas naudoti su visais „Ryobi“ / „Homelite“ benzinu
varomais 30 cc arba mažesniu tūrio galios agregatais arba su RLT1238I/RBC1226I/RPH1200
elektra varomų galios agregatu.

Šią iš dalies sumontuotą įrangą draudžiama naudoti tol, kol galutinė įranga, į kurią ji bus
sumontuota nebus deklaruota kaip atitinkanti įrengimų direktyvos 2006/42/EC nuostatas, jei
taikytina.

Andrew John Eyre (BEng, CEng, MIET)
Kontrolės Ir Saugos Viceprezidentas
Winnenden, Feb. 19, 2016

[galiotas sudaryti techninį failą:
Alexander Krug, Generalinis Direktorius
Techtronic Industries GmbH
Max-Eyth-Straße 10, 71364 Winnenden, Germany

HR EC IZJAVA O USKLADENOSTI

Techtronic Industries GmbH
Max-Eyth-Straße 10, 71364 Winnenden, Germany

Ovime izjavljujemo da su proizvodi

Nastavak za obrezivanje
Marka: Expand-It
Broj modela: RXPR01
Raspon serijskog broja: 44471201000001-44471201999999

usklađen sa slijedećim Europskim Direktivama i usklađenim normama

Za sklopanje sklopa s benzinskom pogonskom glavom
2006/42/EC, 2004/108/EC (do April 19, 2016), 2014/30/EU (da April 20, 2016),
2000/14/EC, 2005/88/EC, 97/68/EC prema posljednjim izmjenama 2012/46/EU, EN
ISO 11680-1:2011, EN ISO 14982:2009, EN ISO 3744:2010

Za sklopanje sklopa s električnom pogonskom glavom
2006/42/EC, 2004/108/EC (do April 19, 2016), 2014/30/EU (da April 20, 2016),
2000/14/EC, 2005/88/EC, 2011/65/EU, EN 60745-1:2009+A11:2010, EN ISO
11680-1:2011, EN ISO 3744:2010, EN 55014-1:2006+A1:2009+A2:2011, EN
55014-2:1997+A1:2001+A2:2008, EN 61000-3-2:2014, EN 61000-3-3:2013, EN
50581:2012

Nastavak za obrezivanje (RXPR01) je namijenjen sklopanju sa svim Ryobi/Homelite
benzinskim pogonskim glavama od 30cc ili manje te s električnom pogonskom glavom
RLT1238I/RBC1226I/RPH1200.

Ovaj djelomično sastavljen uređaj ne smije biti pušten u pogon sve dok završni stroj u kojem
se nalzi ne bude ugrađen u skladu s njegovim provizijama Direktive za strojeve 2006/42/
EC, gdje je to moguće.

Andrew John Eyre (BEng, CEng, MIET)
Potpredsjednik za Pravila i Sigurnost
Winnenden, Feb. 19, 2016

Ovlašten da sastavi tehničku datoteku:
Alexander Krug, Direktor Upravljanja
Techtronic Industries GmbH
Max-Eyth-Straße 10, 71364 Winnenden, Germany

SL IZJAVA EC O SKLADNOSTI

Techtronic Industries GmbH
Max-Eyth-Straße 10, 71364 Winnenden, Germany

Izjavljamo, da je izdelek

Prikliupek za obrezovanje drevoja
Znamka: Expand-It
Številka modela: RXP01
Razpon serijskih števil: 44471201000001-44471201999999

v skladu s sledečimi evropskimi direktivami in harmoniziranimi standardi

Za sestavljanje s pogonsko glavo na bencin
2006/42/EC, 2004/108/EC (do April 19, 2016), 2014/30/EU (od April 20, 2016),
2000/14/EC, 2005/88/EC, 97/68/EC kakor je bilo nazadnje spremenjeno 2012/46/EU,
EN ISO 11680-1:2011, EN ISO 14982:2009, EN ISO 3744:2010

Za sestavljanje z električno pogonsko glavo
2006/42/EC, 2004/108/EC (do April 19, 2016), 2014/30/EU (od April 20, 2016),
2000/14/EC, 2005/88/EC, 2011/65/EU, EN 60745-1:2009+A11:2010, EN ISO
11680-1:2011, EN ISO 3744:2010, EN 55014-1:2006+A1:2009+A2:2011, EN
55014-2:1997+A1:2001+A2:2008, EN 61000-3-2:2014, EN 61000-3-3:2013, EN
50581:2012

Prikliupek za obrezovanje dreva (RXP01) je namenjen uporabi z vsemi pogonskimi glavami Ryobi/Homelite na bencin s prostornino 0,03 l (30 cc) ali manj in z električno pogonsko glavo RLT1238/RBC1226/RPH1200.

Te delno dokončane naprave ni dovoljeno uporabljati, dokler končna naprava, v katero se vgradi, nima izjave o skladnosti glede na zahteve Direktive o strojih 2006/42/EC, kot je ustrezno.

Andrew John Eyre (BEng, CEng, MIET)
Podpredsednik, Zakonodajne In Varnostne Zadeve
Winnenden, Feb. 19, 2016

Pooblaščen oseba za sestavo tehnične dokumentacije:
Alexander Krug, Izvršni Direktor
Techtronic Industries GmbH
Max-Eyth-Straße 10, 71364 Winnenden, Germany

BG ЕС ДЕКЛАРАЦИЯ НА ЗА СЪОТВЕТСТВИЕ

Techtronic Industries GmbH
Max-Eyth-Straße 10, 71364 Winnenden, Germany

C настоящето декларираме, че продуктите

Градиска принадлежност - глава за кастрачка
Марка: Expand-It
Номер на модела: RXP01
Обхват на серийни номера: 44471201000001-44471201999999

отговаря на следните директиви на ЕС и хармонизирани стандарти

За монтаж с бензинова задвижваща глава
2006/42/EC, 2004/108/EC (до April 19, 2016), 2014/30/EU (с April 20, 2016), 2000/14/EC, 2005/88/EC, 97/68/EC последна промяна 2012/46/EU, EN ISO 11680-1:2011, EN ISO 14982:2009, EN ISO 3744:2010

За монтаж с електрическа задвижваща глава
2006/42/EC, 2004/108/EC (до April 19, 2016), 2014/30/EU (с April 20, 2016), 2000/14/EC, 2005/88/EC, 2011/65/EU, EN 60745-1:2009+A11:2010, EN ISO 11680-1:2011, EN ISO 3744:2010, EN 55014-1:2006+A1:2009+A2:2011, EN 55014-2:1997+A1:2001+A2:2008, EN 61000-3-2:2014, EN 61000-3-3:2013, EN 50581:2012

Градиска принадлежност - глава за кастрачка (RXP01) е предназначена за монтаж с всички бензинови задвижващи глави на Ryobi/Homelite от 30cc или по-малко или с електрическа задвижваща глава RLT1238/RBC1226/RPH1200.

Тази частично завършена машина не трябва да бъде въведена в експлоатация, докато крайната машина, в която тя трябва да бъде включена, не бъде обявена в съответствие с разпоредбите на Директива 2006/42/EC относно машините, където това е приложимо.

Andrew John Eyre (BEng, CEng, MIET)
Вицепрезидент, Правни Услуги И Безопасност
Winnenden, Feb. 19, 2016

Упълномощено лице за съставяне на техническия файл:
Alexander Krug, Изпълнителен Директор
Techtronic Industries GmbH
Max-Eyth-Straße 10, 71364 Winnenden, Germany

SK PREHLÁSENIE O ZHODE EC

Techtronic Industries GmbH
Max-Eyth-Straße 10, 71364 Winnenden, Germany

Týmto vyhlasujeme, že výrobok

Príslušenstvo na kultivátor
Značka: Expand-It
Číslo modelu: RXP01
Rozsah sériových čísel: 44471201000001-44471201999999

je v súlade s nasledujúcimi Európskymi smernicami a harmonizovanými normami

Pre montáž s benzínovým pohonom
2006/42/EC, 2004/108/EC (do April 19, 2016), 2014/30/EU (od April 20, 2016),
2000/14/EC, 2005/88/EC, 97/68/EC naposledy zmenený 2012/46/EU, EN ISO 11680-1:2011, EN ISO 14982:2009, EN ISO 3744:2010

Pre montáž s elektrickým pohonom
2006/42/EC, 2004/108/EC (do April 19, 2016), 2014/30/EU (od April 20, 2016),
2000/14/EC, 2005/88/EC, 2011/65/EU, EN 60745-1:2009+A11:2010, EN ISO
11680-1:2011, EN ISO 3744:2010, EN 55014-1:2006+A1:2009+A2:2011, EN
55014-2:1997+A1:2001+A2:2008, EN 61000-3-2:2014, EN 61000-3-3:2013, EN
50581:2012

Príslušenstvo na kultivátor (RXP01) je určené pre montáž na všetky Ryobi/Homelite benzínové pohony s objemom motora 30 cm³ a menej alebo na elektrický pohonom RLT1238/RBC1226/RPH1200.

Toto čiastočne skompletované dokončené zariadenie sa nesmie dať do prevádzky, kým v prípade potreby nebude finálne zariadenie, do ktorého sa má začleniť, vyhlásené za kompatibilné so Smernicou pre strojnú zariadenia 2006/42/EC.

Andrew John Eyre (BEng, CEng, MIET)
Viceprezident, Regulácia a Bezpečnosť
Winnenden, Feb. 19, 2016

Oprávnená osoba na zostavenie technického súboru:
Alexander Krug, Generálny Riaditeľ
Techtronic Industries GmbH
Max-Eyth-Straße 10, 71364 Winnenden, Germany

UK ЕС ДЕКЛАРАЦИЯ ПРО ВІДПОВІДНІСТЬ

Techtronic Industries GmbH
Max-Eyth-Straße 10, 71364 Winnenden, Germany

При цьому ми заявляємо, що продукт

Насадки Для Секатора
Марка: Expand-It
Номер моделі: RXP01
Діапазон серійного номеру: 44471201000001-44471201999999

у відповідності з наступними європейськими директивами та гармонізованими стандартами

Для збирання з бензиновою силовою головою
2006/42/EC, 2004/108/EC (до April 19, 2016), 2014/30/EU (с April 20, 2016), 2000/14/EC, 2005/88/EC, 97/68/EC з останніми змінами 2012/46/EU, EN ISO 11680-1:2011, EN ISO 14982:2009, EN ISO 3744:2010

Для збирання з електричною силовою головою
2006/42/EC, 2004/108/EC (до April 19, 2016), 2014/30/EU (с April 20, 2016), 2000/14/EC, 2005/88/EC, 2011/65/EU, EN 60745-1:2009+A11:2010, EN ISO 11680-1:2011, EN ISO 3744:2010, EN 55014-1:2006+A1:2009+A2:2011, EN 55014-2:1997+A1:2001+A2:2008, EN 61000-3-2:2014, EN 61000-3-3:2013, EN 50581:2012

Насадки Для Секатора (RXP01) призначено для збирання з усіма бензиновими силовими головками з робочим об'ємом 30 кубічних сантиметрів та менше, або з електричною силовою головою RLT1238/RBC1226/RPH1200.

Це частково завершено обладнання не повинно бути введено в експлуатацію до остаточного машини, в яку він повинен бути введений був оголошений відповідно до положень Директиви по машинному обладнанню 2006/42 / EC, де це доречно.

Andrew John Eyre (BEng, CEng, MIET)
Вице-президент, регулювання і безпека
Winnenden, Feb. 19, 2016

Дозвіл на складання технічного файлу:
Alexander Krug, керуючий Директор
Techtronic Industries GmbH
Max-Eyth-Straße 10, 71364 Winnenden, Germany







Techtronic Industries GmbH
Max-Eyth-Straße 10,
71364 Winnenden, Germany

961481024-01