

RECOSTAL
BY DYWIDAG



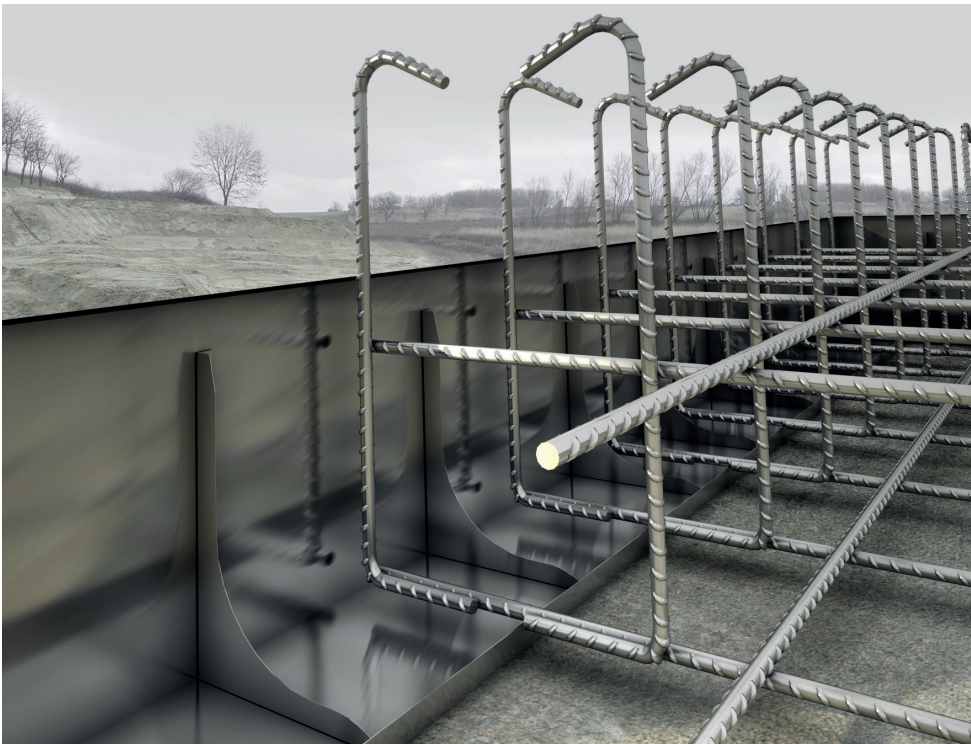
RECOSTAL[®] Speed Edge

02 **RECOSTAL® Speed Edge**

RECOSTAL® Speed Edge Formwork is an innovative solution made of galvanised steel sheets used for base slabs and floor slabs. It is available in standard lengths of 2.25 m and in heights of 14 cm to 50 cm.

The Benefits

- Fully self-supporting up to 50 cm
- Cost saving due to less excavation and quick assembly
- Highly time-efficient approx 0.025 h/m compared to traditional 0.7 h/m
- Corners simply bent into shape
- Complex slabs easily formed
- No stripping needed
- Installation without crane



Installation

Position RECOSTAL® Speed Edge Formwork on the blinding level (important to prevent concrete leakage) and fix with nails driven through the nail holes provided along the base of the unit. When setting up on a gravel support layer, use appropriate extra long nails.

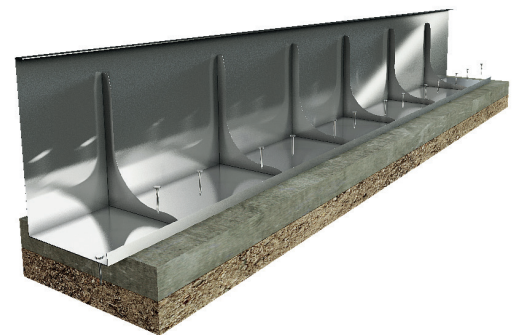
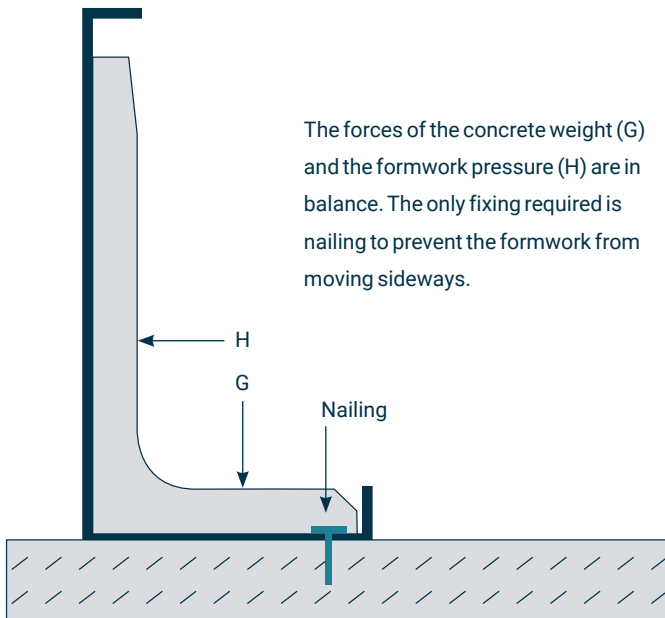
Joints are installed by simply pushing together the units with 3-4 cm overlap.

Create corners by cutting the sheet metal base and bending the unit on site.

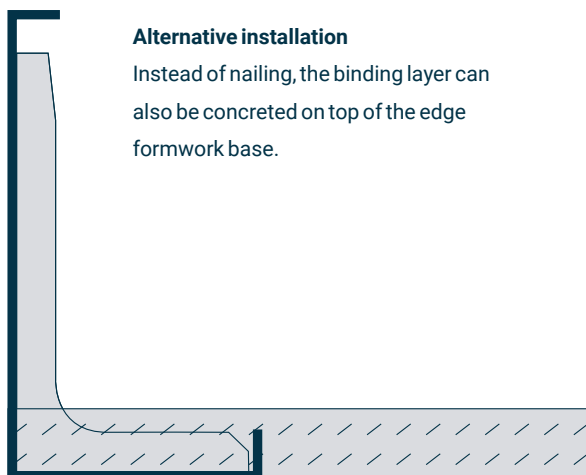
Additional support is not required up to heights of 50 cm.



External Corner: Cut base and bend.



Fixing with standard or extra long nails.



Technical Data

Material: galvanized steel, reinforced with sheet steel angle cleats

Unit length: 225 cm

Heights: 14 to 50 cm (other heights available on request)

Packaging: packed on pallets

Storage: no limitations

Height in cm	Item No.	B in cm	H in cm
R 14	14010014	12.0	14
R 16	14010016	12.0	16
R 18	14010018	12.0	18
R 20	14010020	12.0	20
R 22	14010022	13.0	22
R 24	14010024	14.0	24
R 25	14010025	15.5	25
R 26	14010026	16.0	26
R 28	14010028	17.0	28
R 30	14010030	18.0	30
R 35	14010035	21.0	35
R 40	14010040	24.0	40
R 45	14010045	27.0	45
R 50	14010050	30.0	50

