

Innsiden av boksen er synlig /
The inside of the box is visible

Denne utvendige flaten er synlig /
This outside surface is visible

- Produktet må pakkes, 1stk per pakke og mekes med riktig etikett.
- 2 stk skruer legges i platpose inne pakken.
- 1 Manual med artikkelnr. 10053710 legges inne i pakken.
(Få pdf fil av manual med Jøtul)

- Overflatebehandling : 50053494
Hvit pulverlakk: Jotun Facade 2481 (E001) RAL 9016
- Overflatebehandlingst: 50053708:
Pulverlakk / Powdercoating: HR0301-4051027 Sort
- Til 50053494 kan alternativt kan hvit, RAL 9010, blekkskrue 4,0x25mm benyttes
(HECO # 5400400237126S)
- Skruer til 50053708 lakkes svarte,
Alternativt kan svart, RAL 9011, blekkskrue 4,0x25mm benyttes (HECO # 5400400236326S)

- The product must be packed. 1 pcs for each package.
- 2 Screws have to be put into a plastic bag inside the package.
- 1 manual with part no. 10053710 has to be put inside the package.
(Get pdf file of the manual from Jøtul)

- Surface treatment: 50053494
Hvit pulverlakk / White powder coating : Jotun Facade 2481 (E001) RAL 9016
- Surface treatment: 50053708
Pulverlakk / Powdercoating: HR0301-4051027 Black
- For 50053494 can alternatively white, RAL 9010,
Sheet metal screw 4,0x25mm be used (HECO # 5400400237126S)
- Screws for 50053708 have to be (painted) black.
Alternatively can black, RAL 9011, Sheet metal screw 4,0x25mm be used.
(HECO # 5400400236326S)

Effektivt areal: 375cm²
Monteringshull, størrelse: 54x80mm /
Efficient area: 375cm²
Hole size for installation: 54x80mm

JØTUL FS 620



VENTILASJONSRRAMME, HVIT 1 STK
VENTILATION FRAME, WHITE 1 PCS

Cat. no.: **50053494**

Lot no.: xxxxxx



7022390484607

EAN-13

JØTUL FS 620



VENTILASJONSRRAMME, SVART 1 STK
VENTILATION FRAME, BLACK 1 PCS

Cat. no.: **50053708**

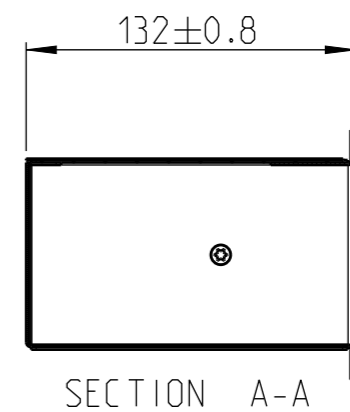
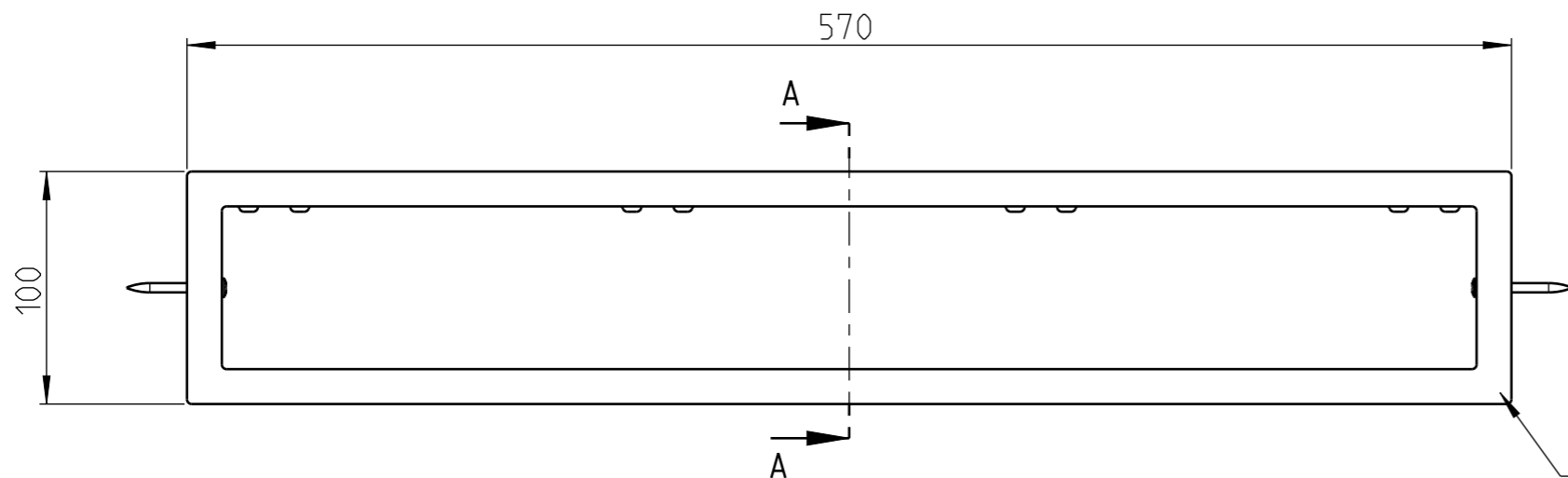
Lot no.: xxxxxx



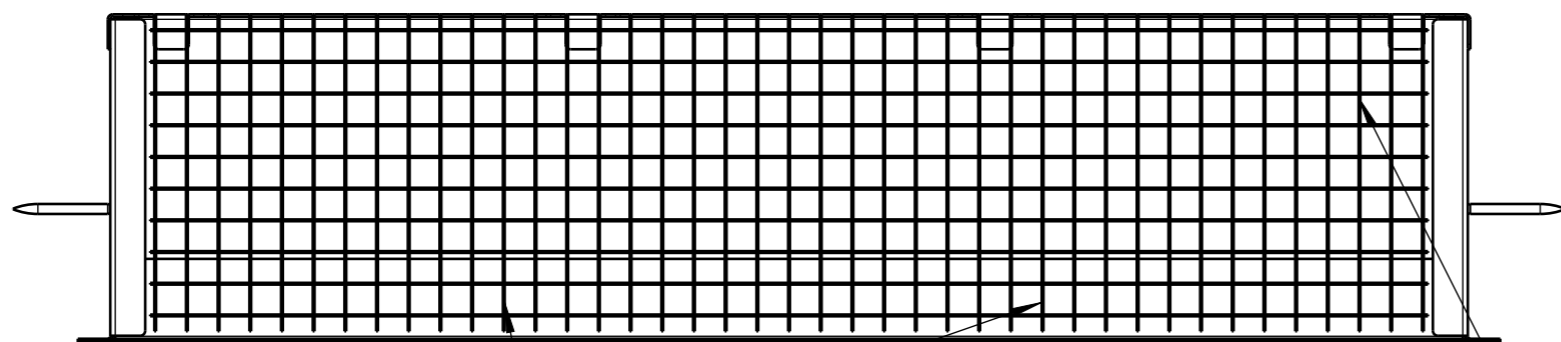
7022390484614

EAN-13

Varenummer Partnumber	Ant. No.of	Gjenstand Partname	Pos.nr Pos.no	Tegn.nr Dwg. no	Rev.	Materiale Material	Merknad Notes	
Toleranser hvor annet ikke er angitt Tolerances where not specified:			FS 620		Scale / Size	Constructed by. Date		
Medium NS-ISO 2768-1, 1.utg.okt1990			Ventilasjonsramme		33:100/A3	JEL 20.12.2017		
-	-	-	-	-		Traced by. Date		
-	-	-	-	-		Checked by. Date		
-	-	-	-	-		Katalognr./Catalog.no.		
-	-	-	-	-		50053494 & 50053708		
-	-	-	-	-		Tegn_nr/drw.no		
-	-	-	-	-		Revision		
-	-	-	-	-		Side/Page		
Rev	Dato	Rev.by	Endr.mel.	Jøtul AS, P.O.box 1411, N-1602 Fredrikstad, Norway, Tel +47 69359000 CONFIDENTIAL.This document contains confidential information and is the property of Jøtul AS No disclosure is permitted without written approval by Jøtul AS. Violation will be prosecuted		50053494	P01	1 of 7



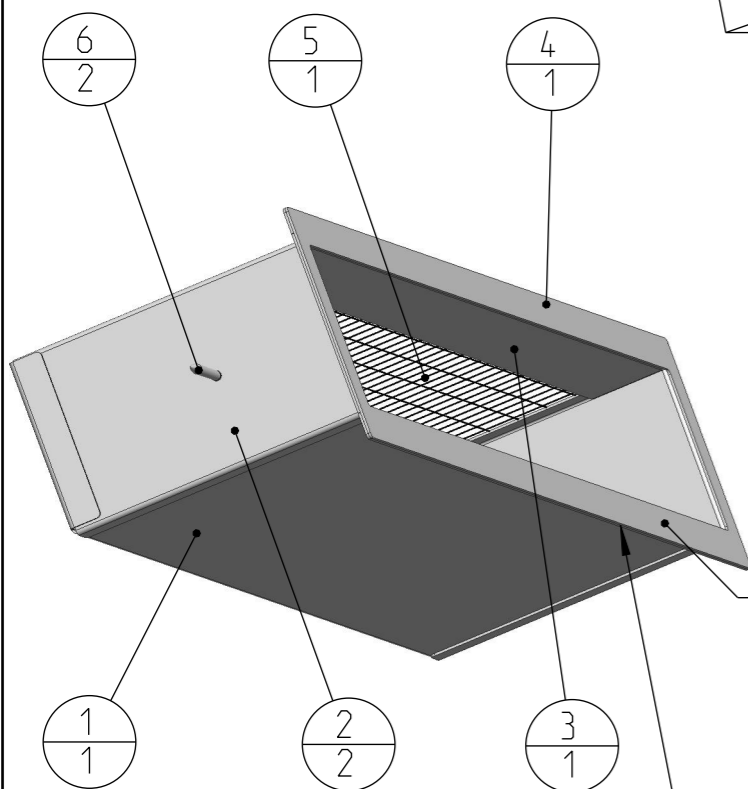
Punktsveis: Denne flaten må ikke ha synlige merker etter punktsveiser etter at delen er lakkert. Tilpass antall sveiser slik at skjøtene mellom de punktsveiste deler ikke får sprekker. /
 Spotweld: This surface must not have any marks caused by spotwelds after it has been painted. Number of spot welds must be adjusted so there is no gap between the spot welded parts.



Nettingen kan brukes til å henge delen opp i under lakking /
 The steel mesh can be used for paint hangers

Nettingen må punktsveises fast til pos. 3 på minst 2 steder
 The steel mesh must be spotwelded to pos.3 on at least 2 places

Oppgitte dimensjoner gjelder før lakking /
 Measurements is given before painting

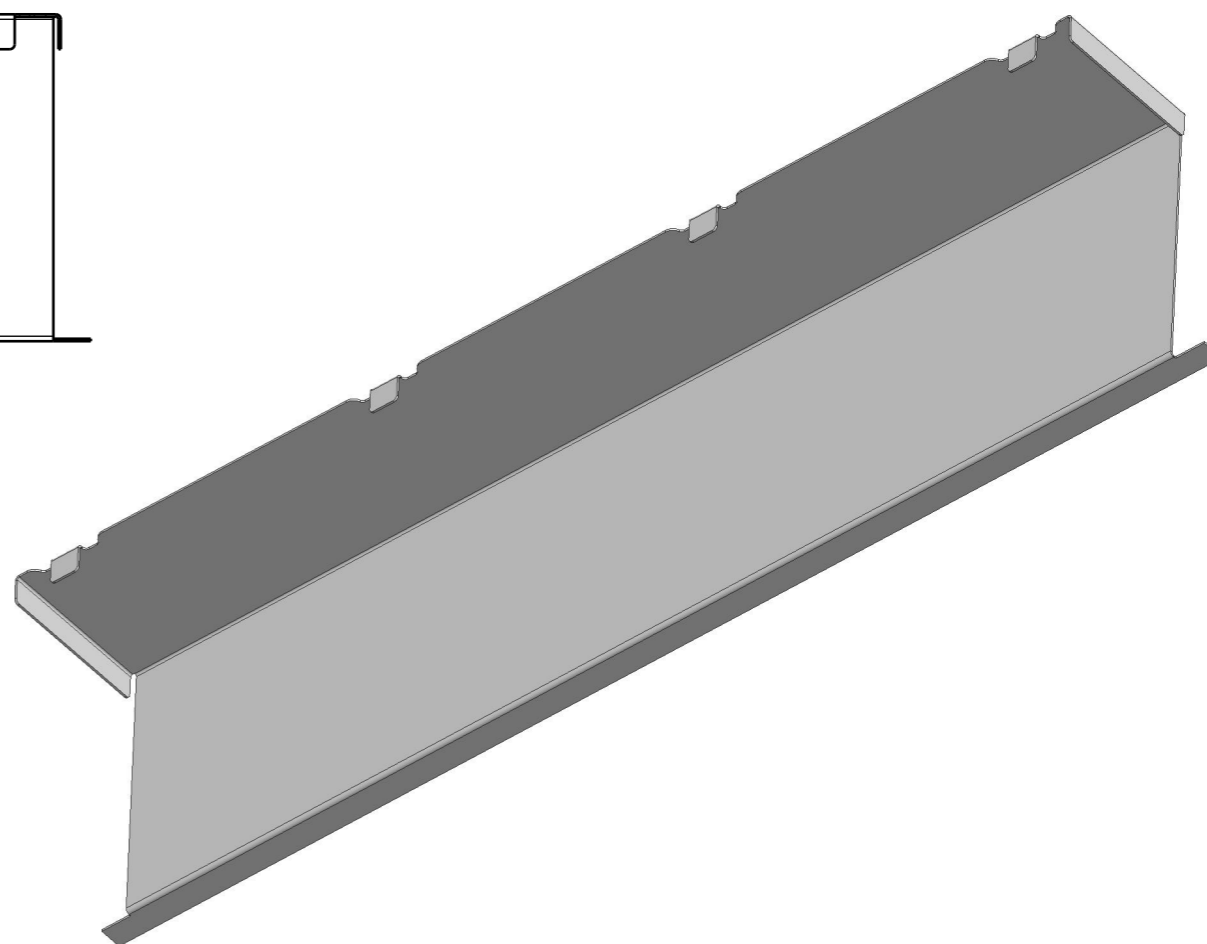
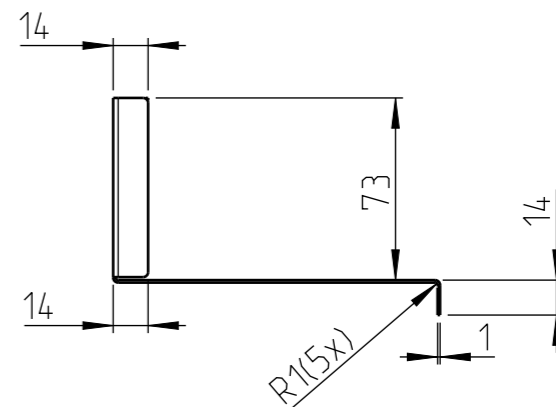
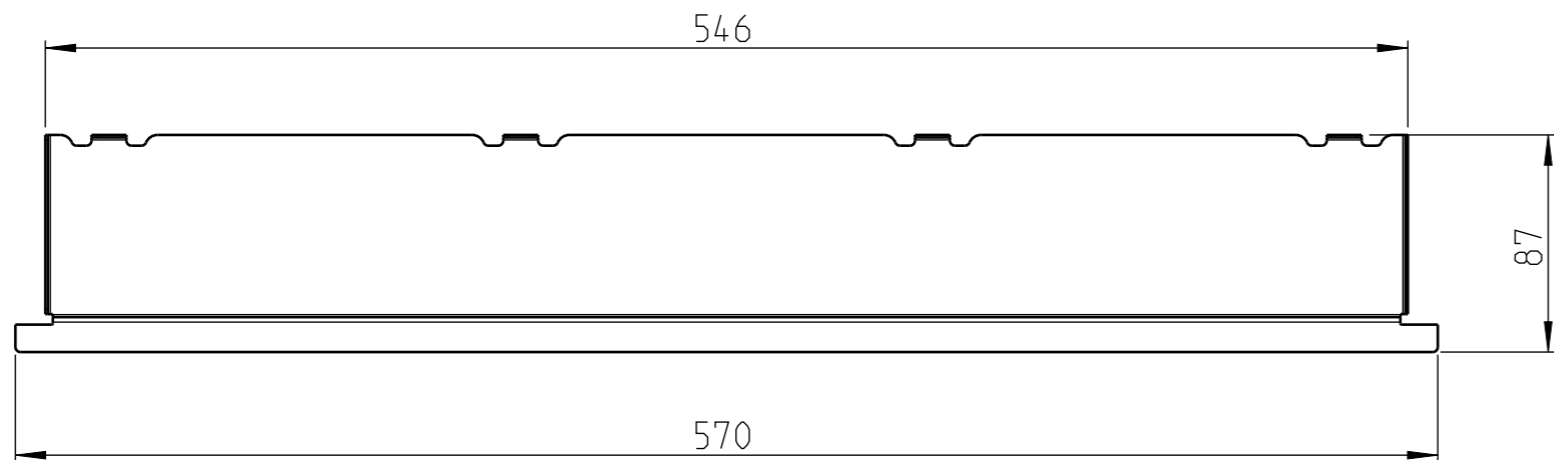


Denne utvendige flaten er synlig /
 This outside surface is visible

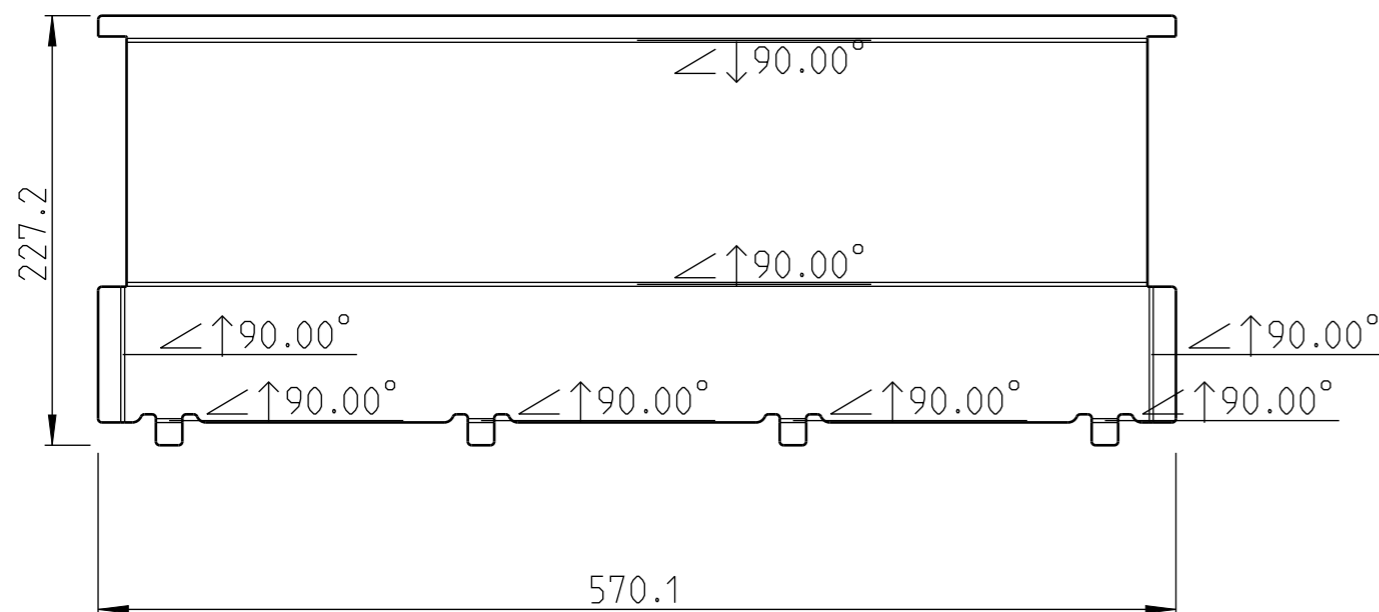
Skjøten mellom delene må være pen hele veien rundt, ingen sprekker /
 No gap between spot welded parts all the way around here.


10053370	2	SKRUE PANHODE TX20 Ø4 X 40 ELZN SCREW WOOD PANHEAD TX20 Ø4 X 40 ELZN	6	10053370	P00	8.8	..
50053494E	1	Stålnetting sveist Steel Mesh Welded	5	50053494	P01	Steel	..
50053494D	1	Krave, ventilasjonsramme Flange, Ventilation Frame	4	50053494	P01	Steel_S355_MCD/E	..
50053494C	1	Topp, ventilasjonsramme Top, Ventilation Frame	3	50053494	P01	Steel_S355_MCD/E	..
50053494B	2	Vegg, ventilasjonsramme Wall, Ventilation Frame	2	50053494	P01	Steel_S355_MCD/E	..
50053494A	1	Bunn, ventilasjonsramme Bottom, Ventilation Frame	1	50053494	P01	Steel_S355_MCD/E	..

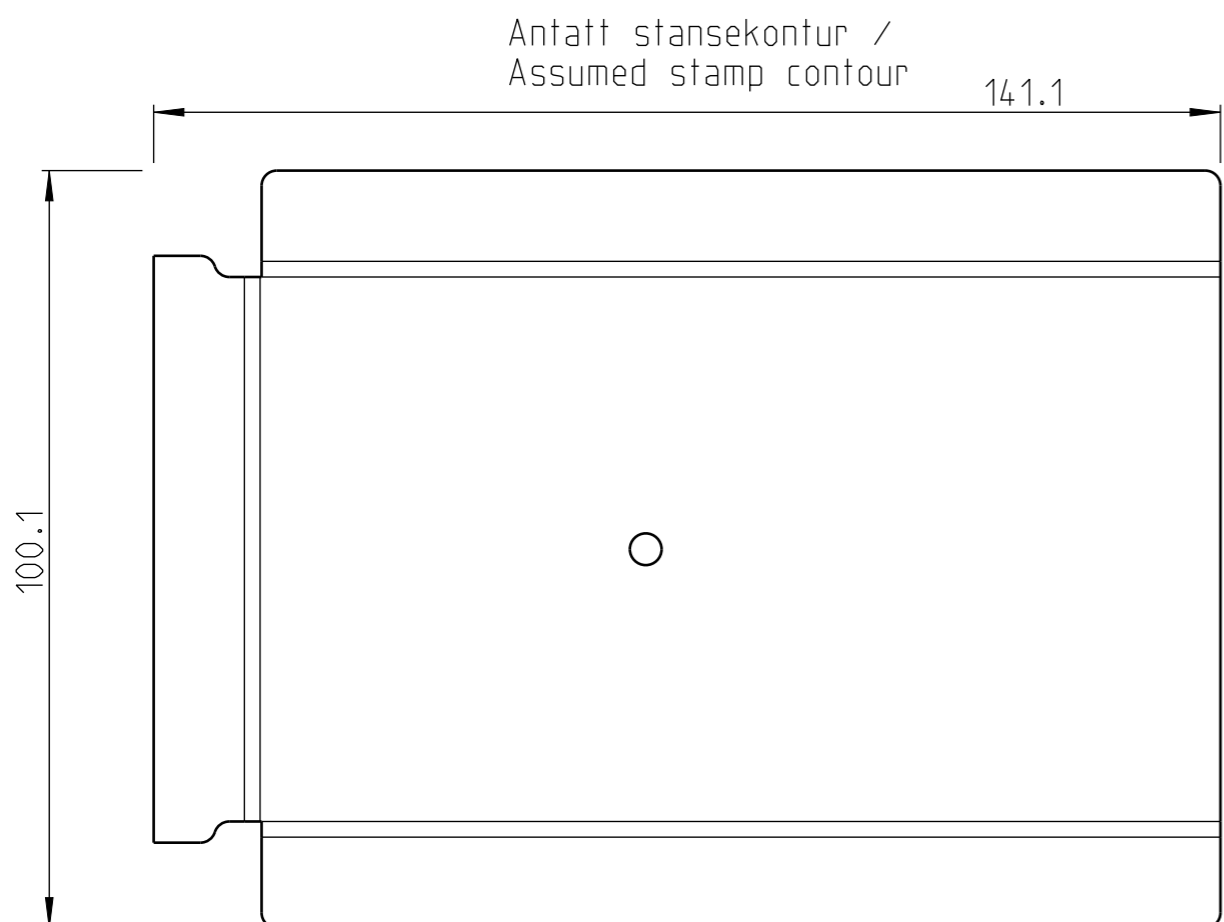
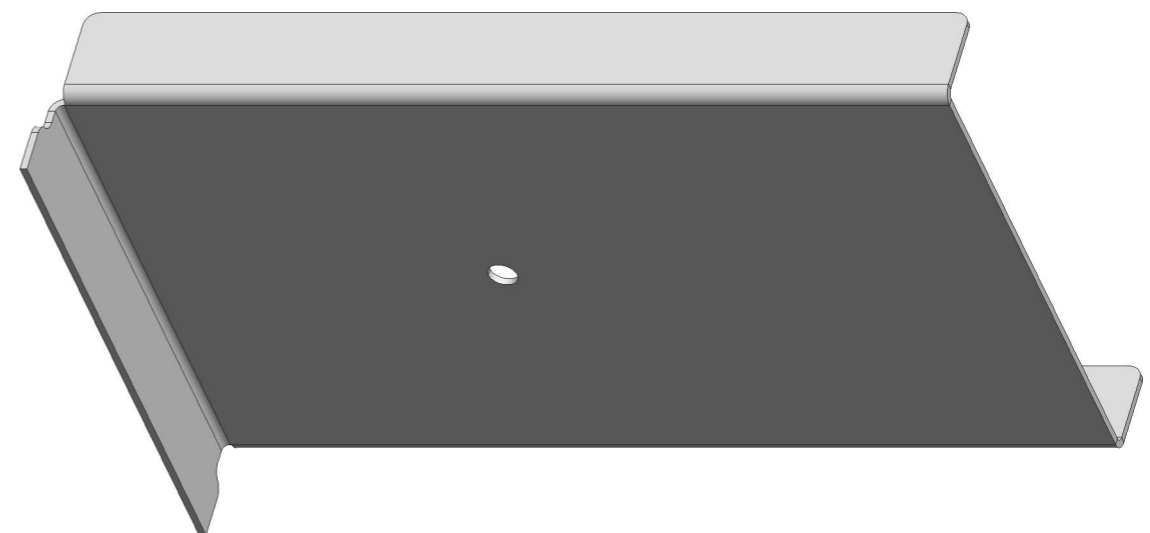
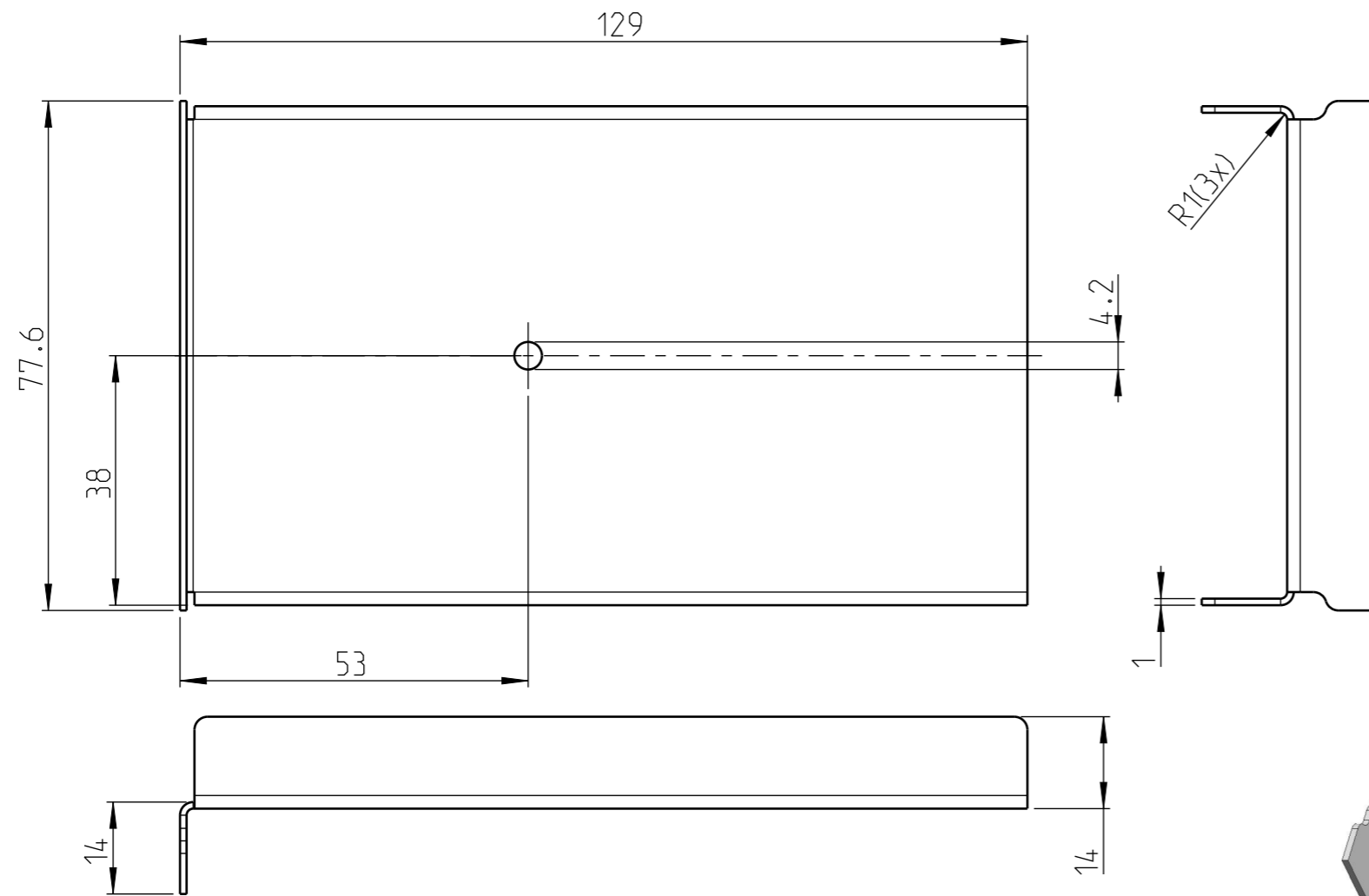
Varenummer Partnumber	Ant. No.of	Gjenstand Partname	Pos.nr Pos.no	Tegn.nr Dwg. no	Rev.	Materiale Material	Merknad Notes
Toleranser hvor annet ikke er angitt Tolerances where not specified: Medium NS-ISO 2768-1, 1.utg.okt1990			FS 620		Scale / Size B3:100/A3		Constructed by. Date JEL 20.12.2017
-	-	-	-	Ventilasjonsramme			Traced by. Date ..
-	-	-	-	Ventilation Frame			Checked by. Date ..
 Jøtul AS, P.O.box 1411, N-1602 Fredrikstad, Norway, Tel +47 69359000 CONFIDENTIAL. This document contains confidential information and is the property of Jøtul AS. No disclosure is permitted without written approval by Jøtul AS. Violation will be prosecuted.						Katalognr./Catalog.no. 50053494 & 50053708	
						Tegn_nr/drw.no 50053494	Revision P01
Rev	Dato	Rev.by	Endr.mel.				



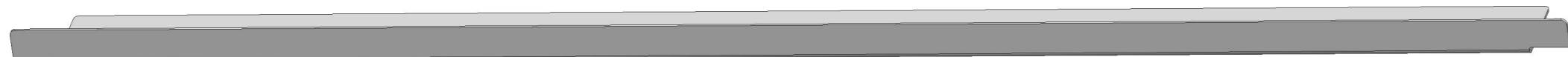
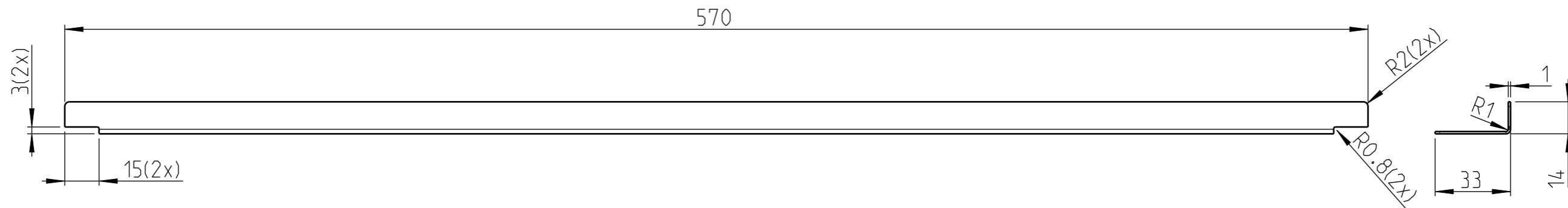
Antatt stansekontur /
Assumed stamp contour



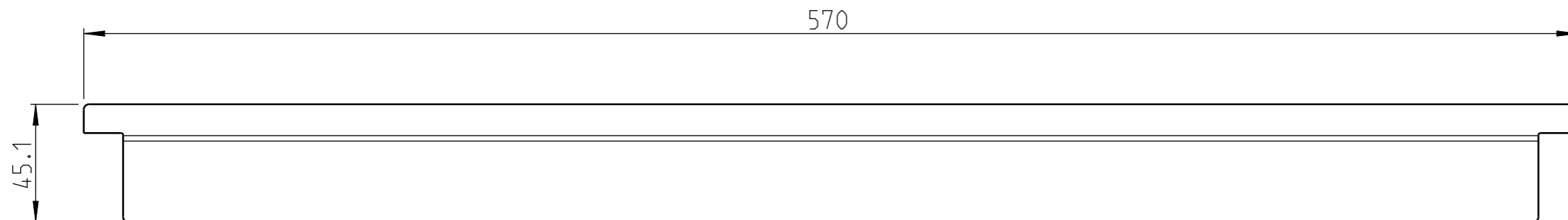
50053494A		Bunn. ventilasjonramme Bottom. Ventilation Frame				Steel_S355_MCD/E	
Varenummer Partnumber	Ant. No.of	Gjenstand Partname	Pos.nr Pos.no	Tegn.nr Dwg. no	Rev.	Materiale Material	Merknad Notes
Toleranser hvor annet ikke er angitt Tolerances where not specified: Medium NS-ISO 2768-1, 1.utg.okt1990						Scale / Size B3:100/A3	Constructed by. Date JEL 20.12.2017
-	-	-	-	-	-		Traced by. Date ..
-	-	-	-	-	-		Checked by. Date ..
 Jøtul AS, P.O.box 1411, N-1602 Fredrikstad, Norway, Tel +47 69359000 CONFIDENTIAL. This document contains confidential information and is the property of Jøtul AS. No disclosure is permitted without written approval by Jøtul AS. Violation will be prosecuted.						Katalognr./Catalog.no. 50053494A	
						Tegn_nr/drw.no	Revision
Rev	Dato	Rev.by	Endr.mel.	50053494	P01	3 of 7	



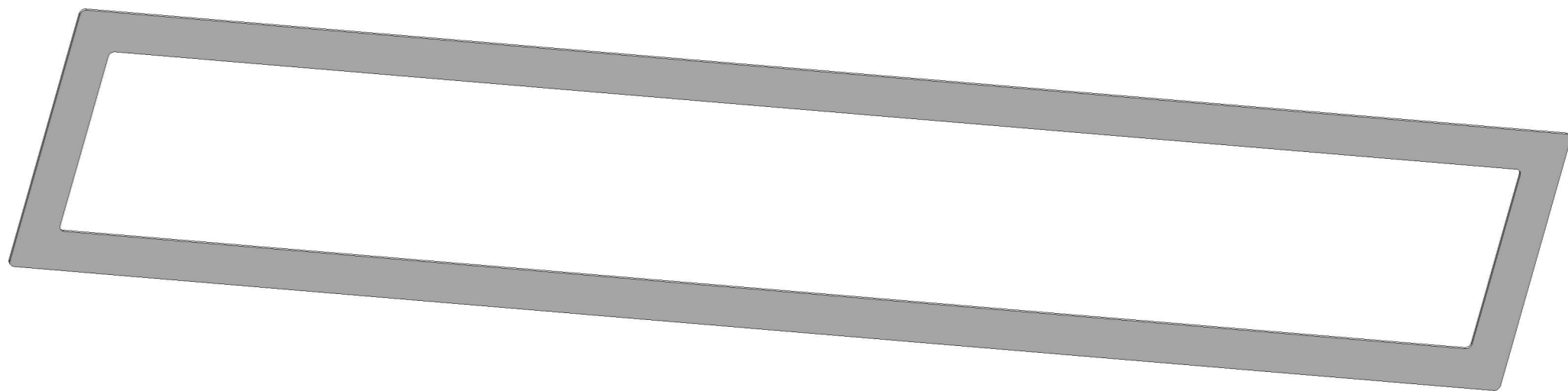
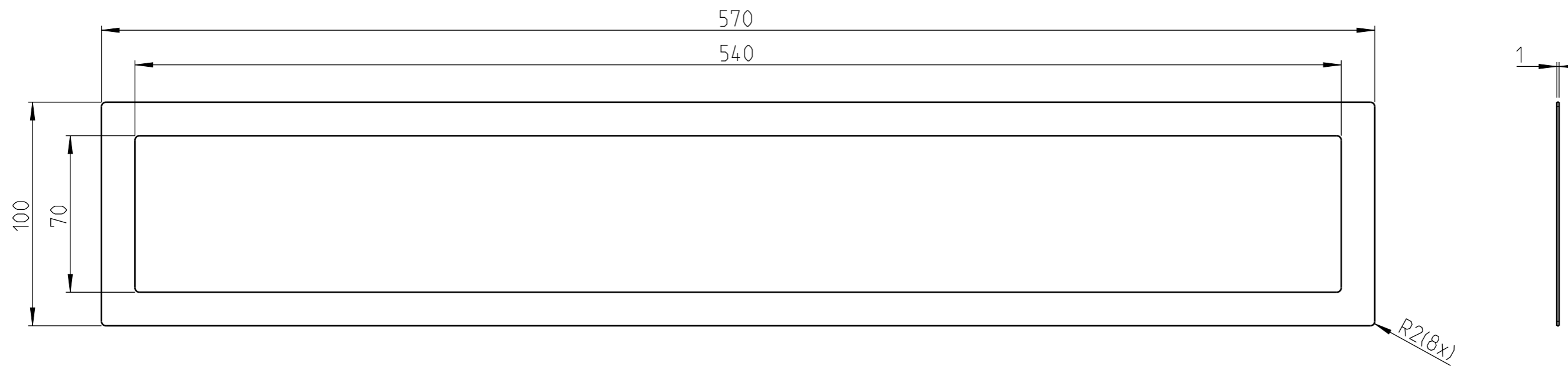
50053494B		Vegg. ventilasjonsramme Wall. Ventilation Frame				Steel_S355_MCD/E		
Varenummer Partnumber	Ant. No.of	Gjenstand Partname	Pos.nr Pos.no	Tegn.nr Dwg. no	Rev.	Materiale Material	Merknad Notes	
Toleranser hvor annet ikke er angitt Tolerances where not specified:		FS 620	Scale / Size		Constructed by. Date			
Medium NS-ISO 2768-1, 1.utg.okt1990			1:1/A3		JEL 20.12.2017			
-	-	Vegg. ventilasjonsramme	Traced by. Date		..			
-	-	Wall. Ventilation Frame	Checked by. Date		..			
						Katalognr./Catalog.no.		
						50053494B		
<small>Jøtul AS, P.O.box 1411, N-1602 Fredrikstad, Norway, Tel +47 69359000 CONFIDENTIAL. This document contains confidential information and is the property of Jøtul AS No disclosure is permitted without written approval by Jøtul AS. Violation will be prosecuted</small>						Tegn_nr/drw.no	Revision	Side/Page
						50053494	P01	4 of 7
Rev	Dato	Rev.by	Endr.mel.					



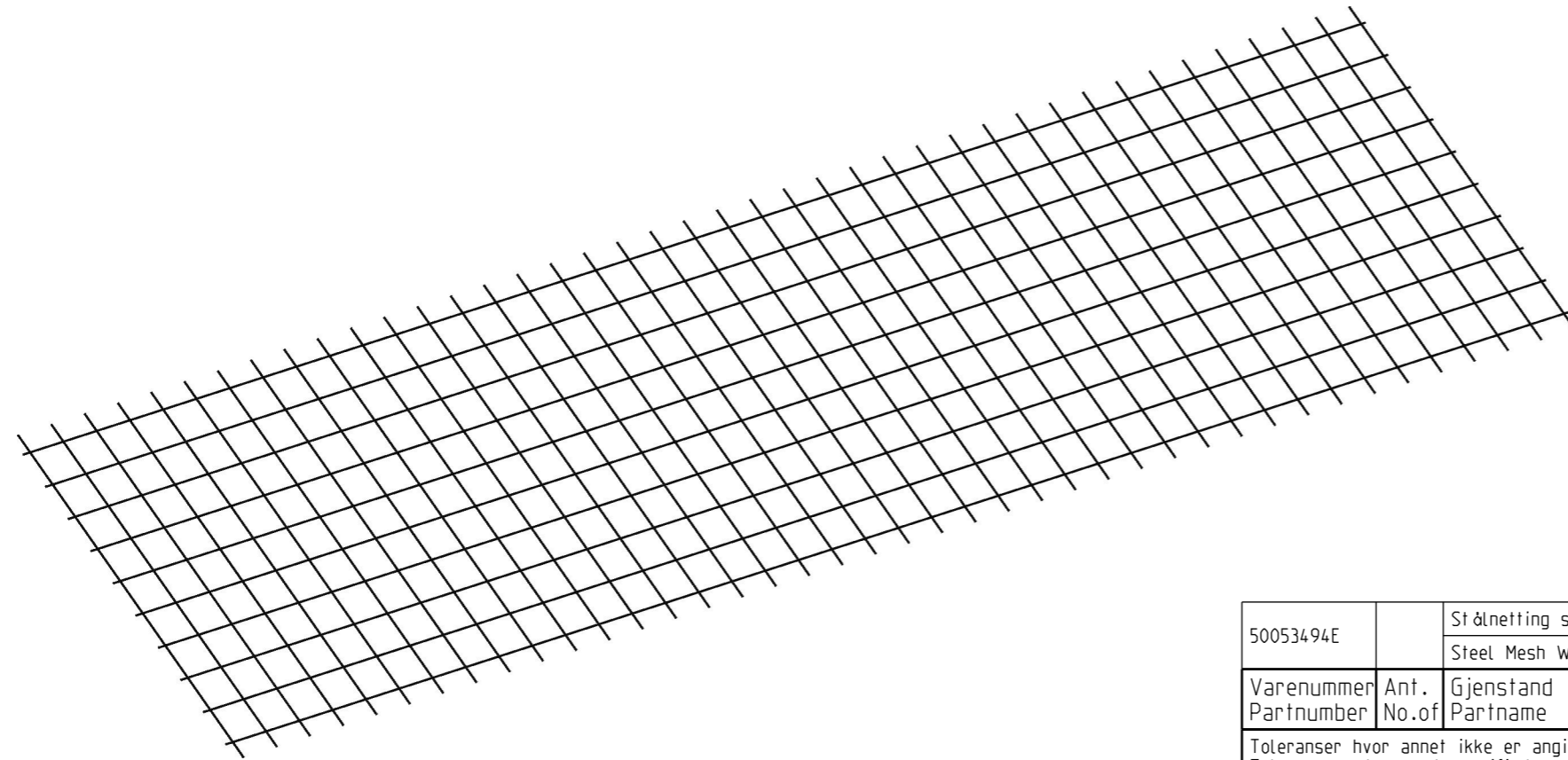
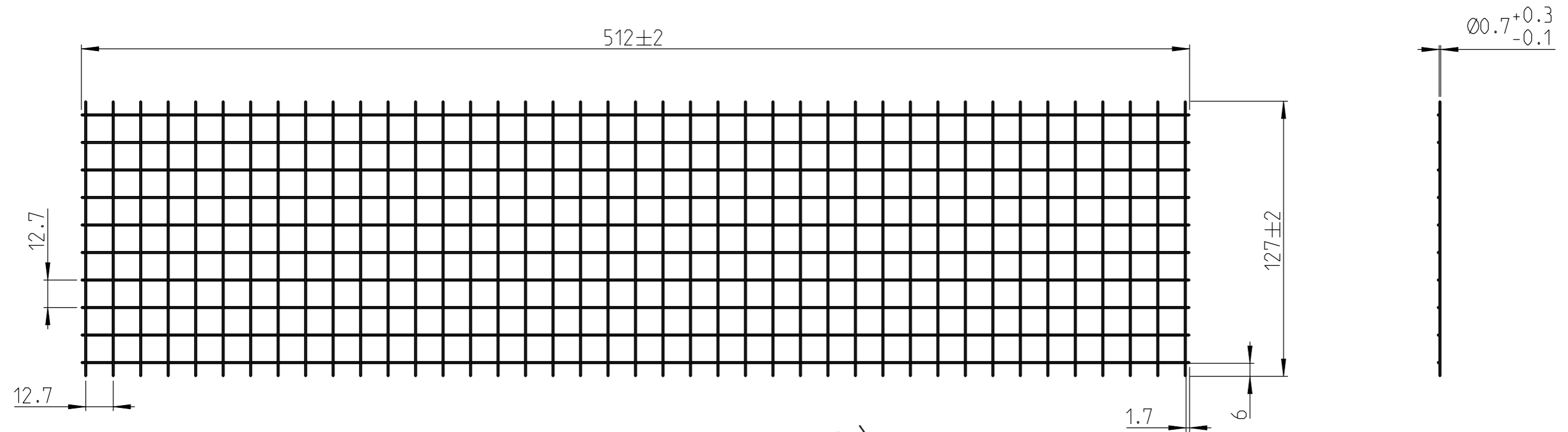
Antatt stansekontur /
Assumed stamp contour



50053494C		Topp. ventilasjonsramme Top. Ventilation Frame					Steel_S355_MCD/E		
Varenummer Partnumber	Ant. No.of	Gjenstand Partname	Pos.nr Pos.no	Tegn.nr Dwg. no	Rev.	Materiale Material	Merknad Notes		
Toleranser hvor annet ikke er angitt Tolerances where not specified:		FS 620				Scale / Size 1:2/A3	Constructed by. Date JEL 20.12.2017		
Medium NS-ISO 2768-1, 1.utg.okt1990		Topp. ventilasjonsramme					Traced by. Date ..		
-		Top. Ventilation Frame					Checked by. Date ..		
-						Katalognr./Catalog.no. 50053494C			
-						Tegn_nr/drw.no Revision Side/Page 50053494 P01 5 of 7			
-						Jøtul AS, P.O.box 1411, N-1602 Fredrikstad, Norway, Tel +47 69359000 CONFIDENTIAL. This document contains confidential information and is the property of Jøtul AS No disclosure is permitted without written approval by Jøtul AS. Violation will be prosecuted			
Rev	Dato	Rev.by	Endr.mel.						



50053494D		Krave. ventilasjonsramme Flange. Ventilation Frame					Steel_S355_MCD/E	
Varenummer Partnumber	Ant. No.of	Gjenstand Partname	Pos.nr Pos.no	Tegn.nr Dwg. no	Rev.	Materiale Material	Merknad Notes	
Toleranser hvor annet ikke er angitt Tolerances where not specified:		FS 620	Scale / Size		Constructed by. Date			
Medium NS-ISO 2768-1, 1.utg.okt1990		Krave. ventilasjonsramme	1:2/A3		JEL 20.12.2017			
-	-	-	-			Traced by. Date		
-	-	-	-			Checked by. Date		
-	-	-	-			Katalognr./Catalog.no.		
-	-	-	-			50053494D		
-	-	-	-			Tegn_nr/drw.no	Revision	Side/Page
-	-	-	-			50053494	P01	6 of 7
Rev	Dato	Rev.by	Endr.mel.	Jøtul AS, P.O.box 1411, N-1602 Fredrikstad, Norway, Tel +47 69359000 CONFIDENTIAL. This document contains confidential information and is the property of Jøtul AS No disclosure is permitted without written approval by Jøtul AS. Violation will be prosecuted				



50053494E		Stålnetting sveist Steel Mesh Welded				Steel		
Varenummer Partnumber	Ant. No. of	Gjenstand Partname	Pos.nr Pos.no	Tegn.nr Dwg. no	Rev.	Materiale Material	Merknad Notes	
Toleranser hvor annet ikke er angitt Tolerances where not specified:		FS 620	Scale / Size		Constructed by. Date			
Medium NS-ISO 2768-1, 1.utg.okt1990		Stålnetting sveist	1:2/A3		JEL 20.12.2017			
-	-	-	-			Traced by. Date		
-	-	-	-			Checked by. Date		
-	-	-	-			Katalognr./Catalog.no.		
-	-	-	-			50053494E		
-	-	-	-			Tegn_nr/drw.no	Revision	Side/Page
-	-	-	-			50053494	P01	7 of 7
Rev	Dato	Rev.by	Endr.mel.	<small>Jøtul AS, P.O.box 1411, N-1602 Fredrikstad, Norway, Tel +47 69359000 CONFIDENTIAL. This document contains confidential information and is the property of Jøtul AS No disclosure is permitted without written approval by Jøtul AS. Violation will be prosecuted</small>				