

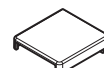
x1



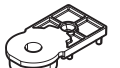
x1



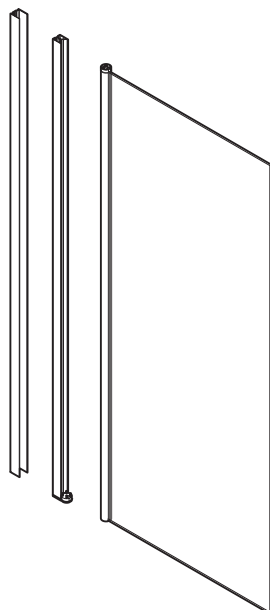
x1



x1



x1



FU8x50 x2



3,5x32 x1



3,5x9,5 x2



4,5x60 x2



x2



x2



x1

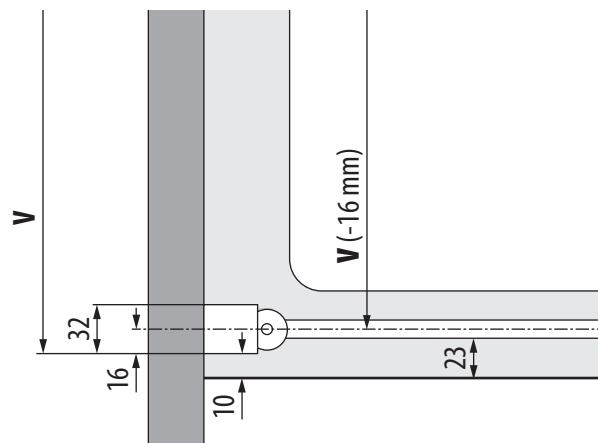


x1

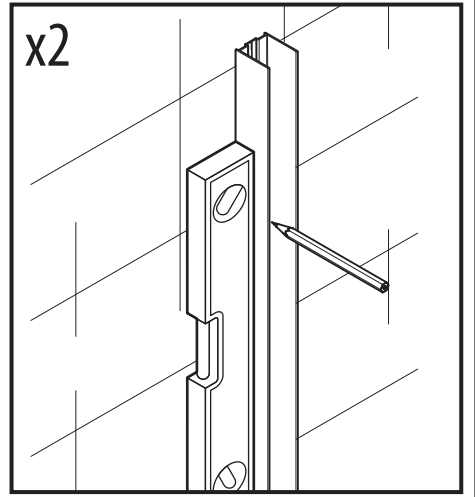
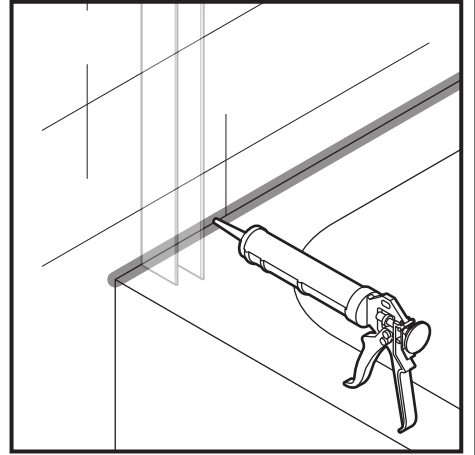
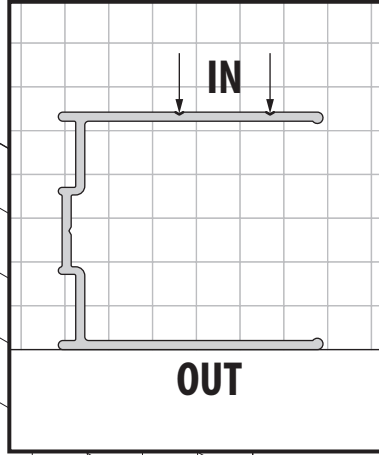
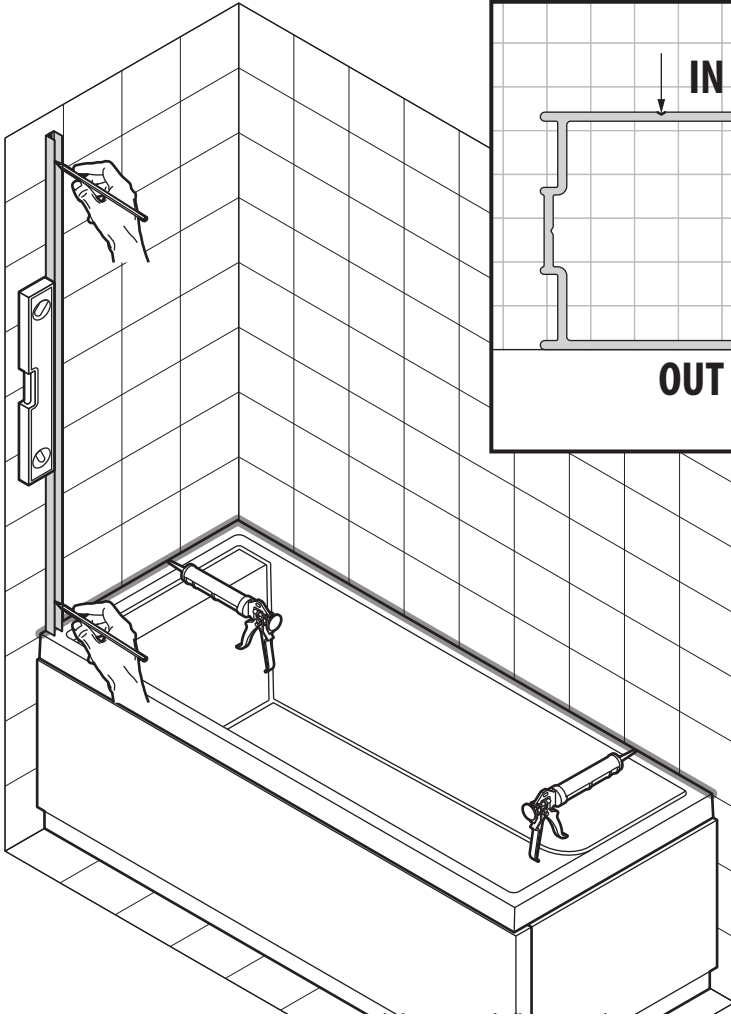


x2

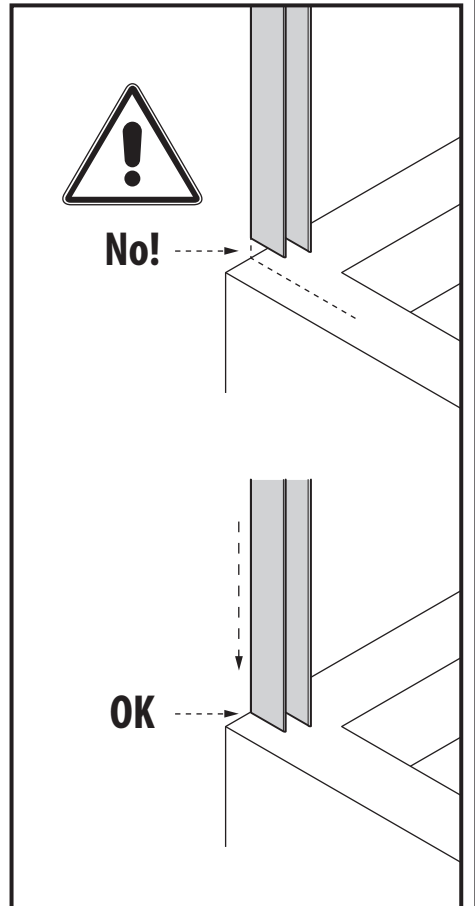
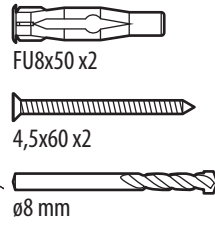
1V	L mm
70	670-690
75	720-740
80	770-790
85	820-840
90	870-890



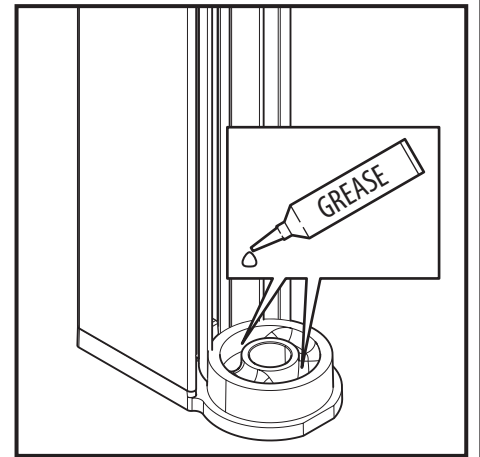
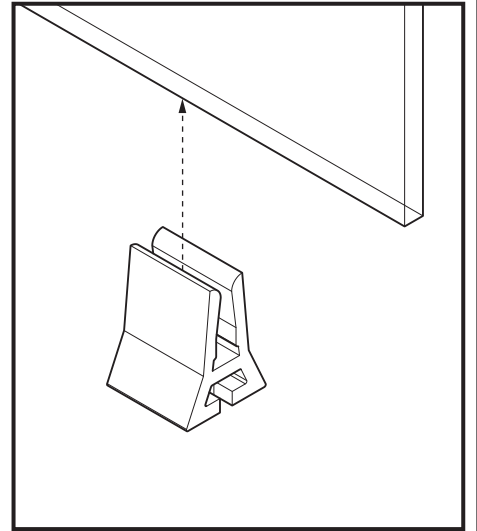
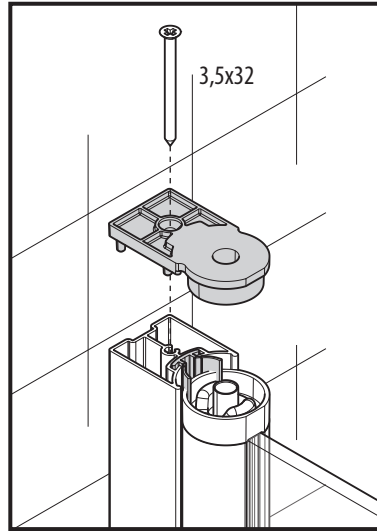
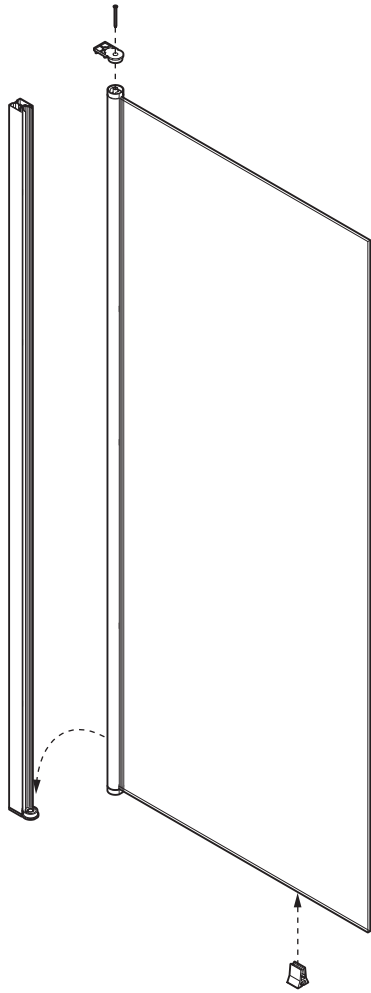
1



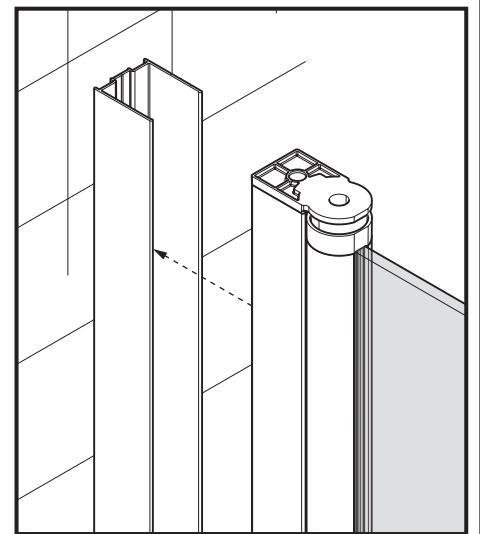
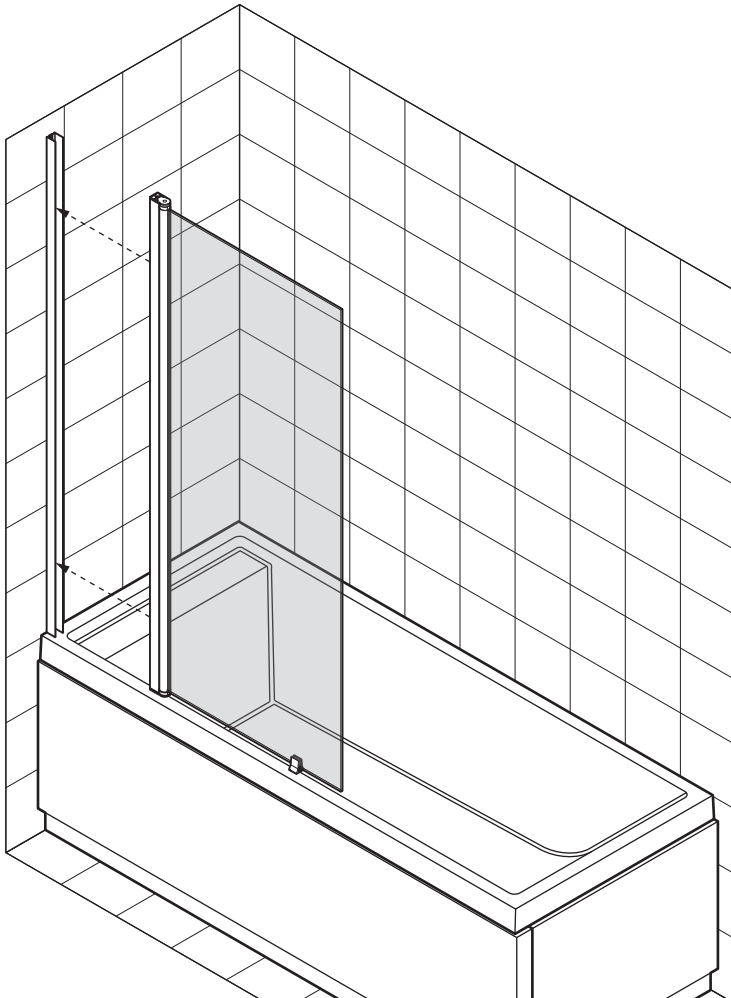
2



3

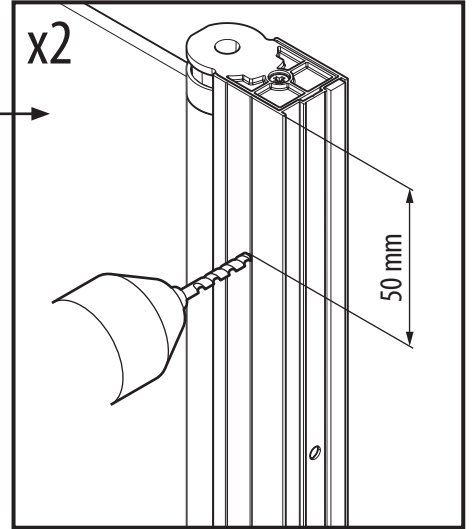
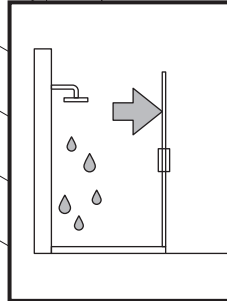
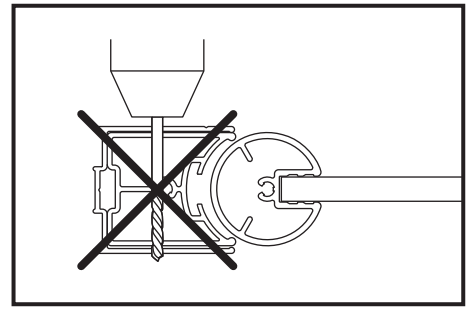
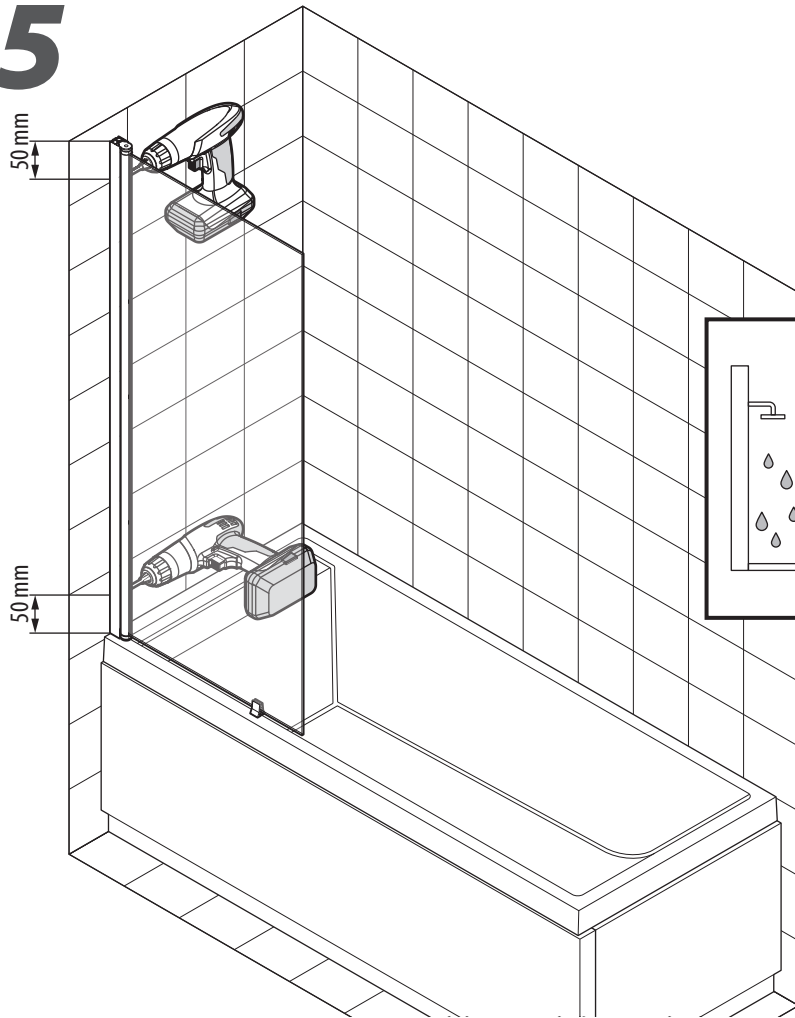


4

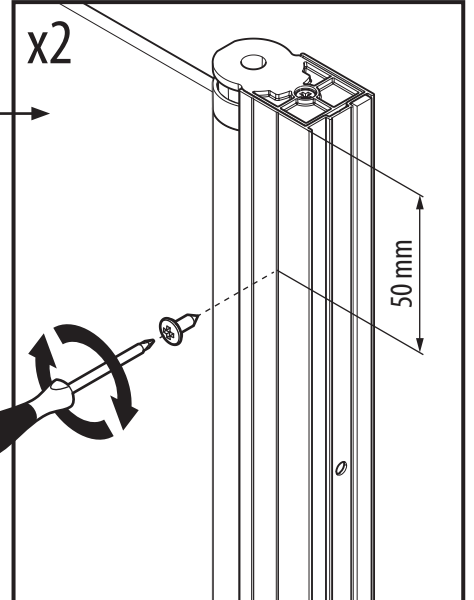
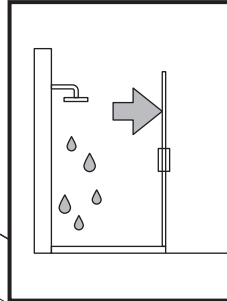
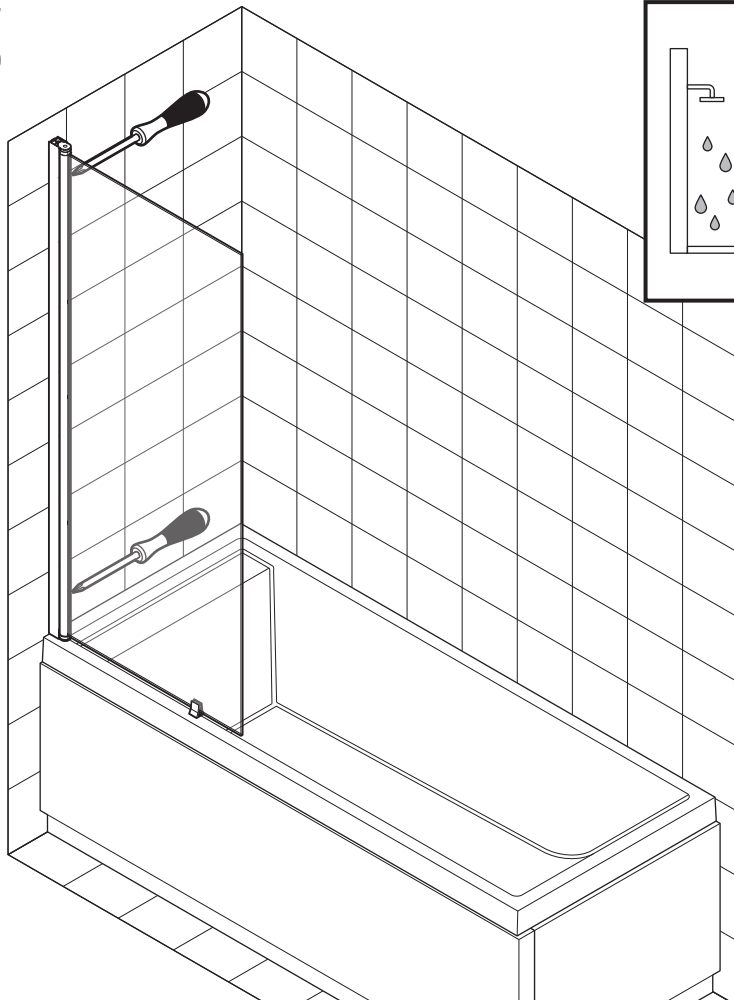



5

5



6

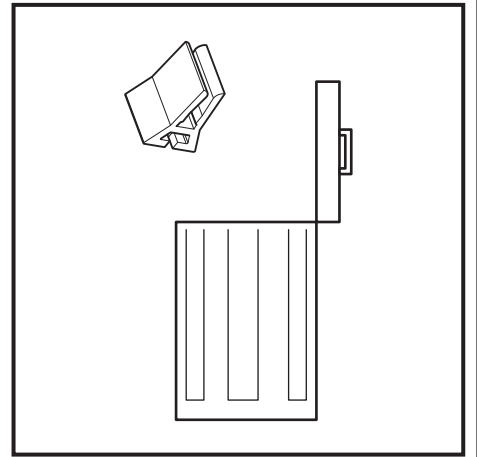
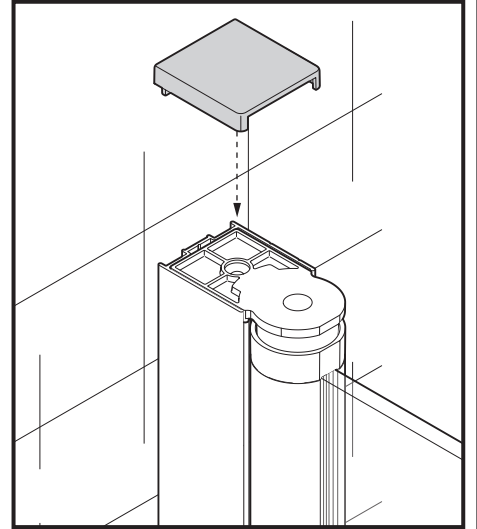
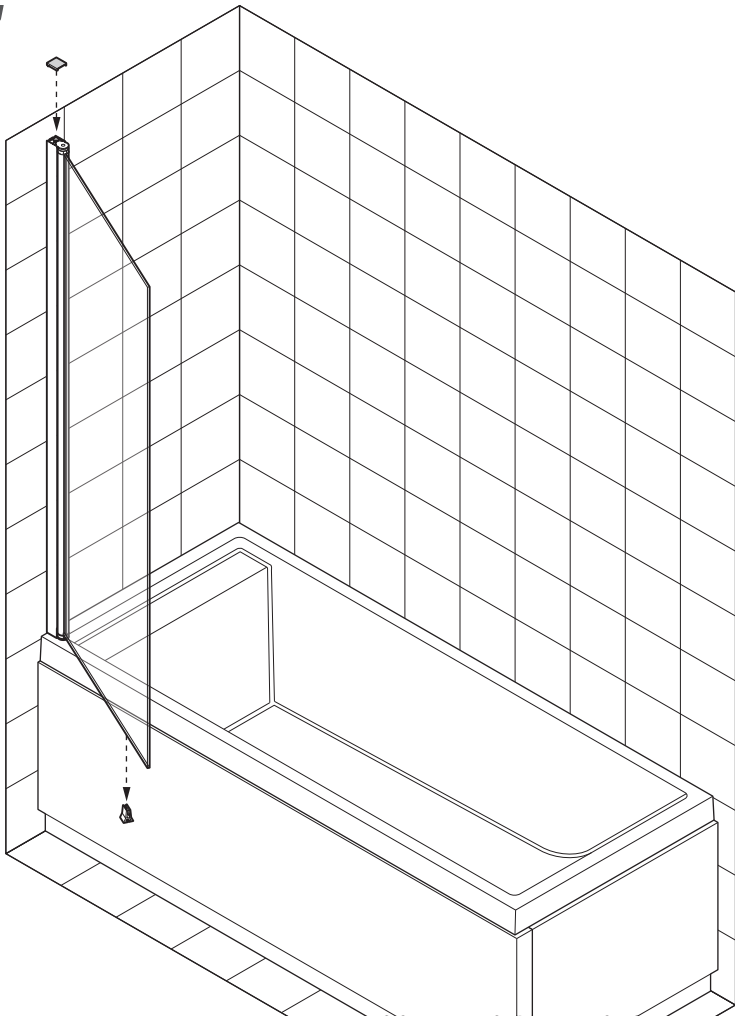


 3,5x9,5 mm x2

 x2

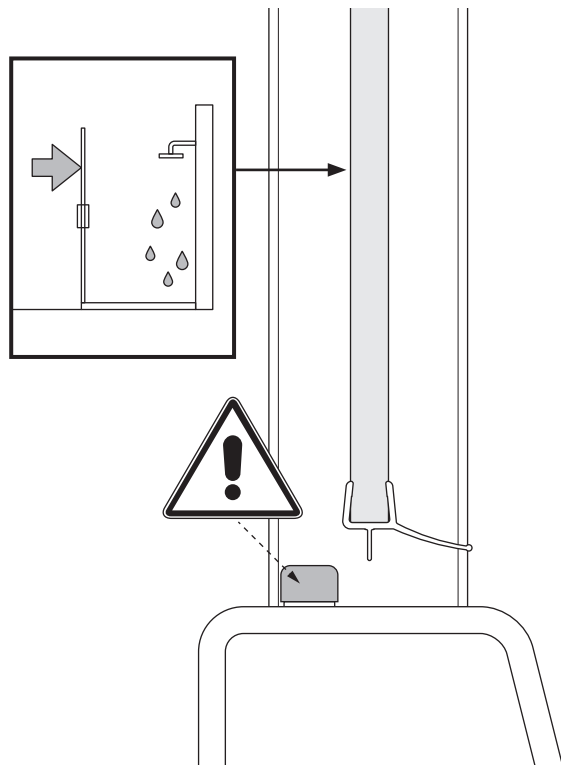
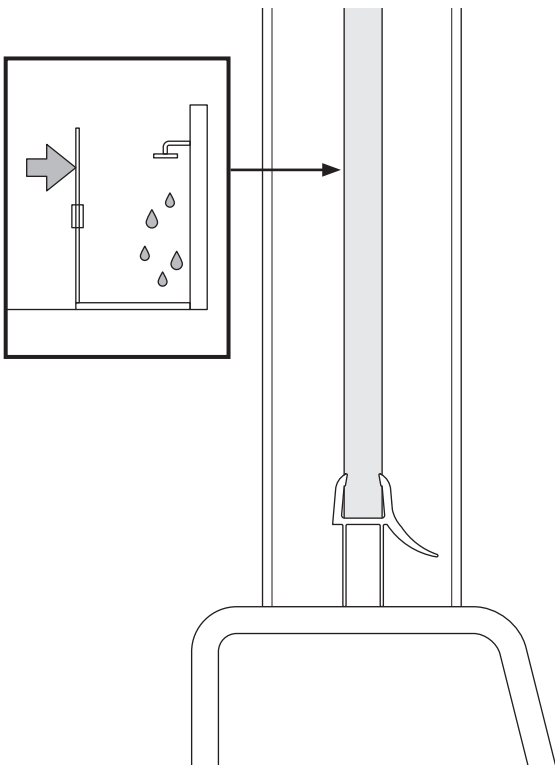
6

7

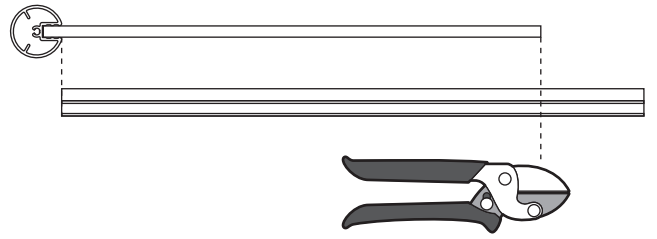
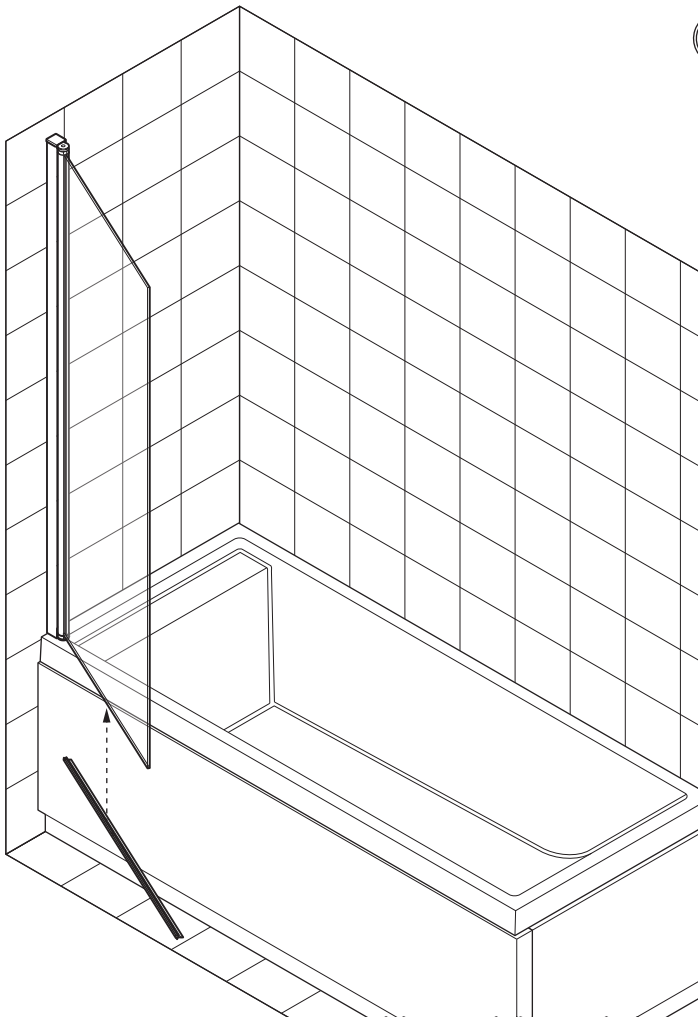


A

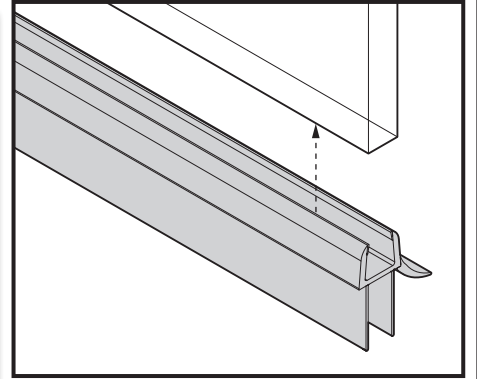
B



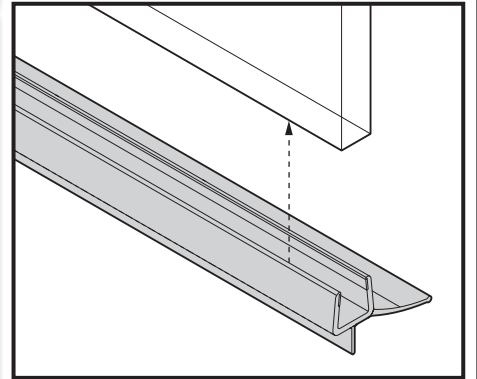
8



A

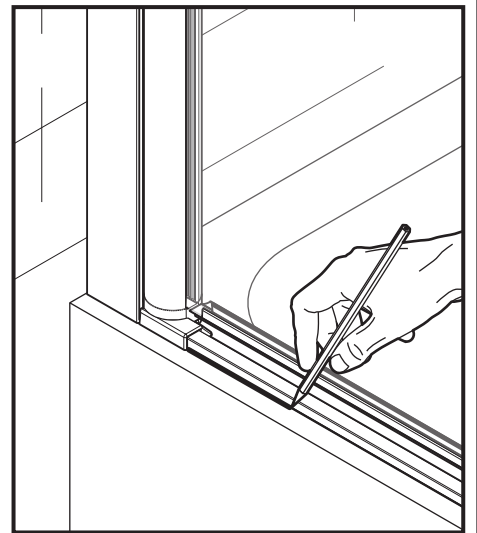
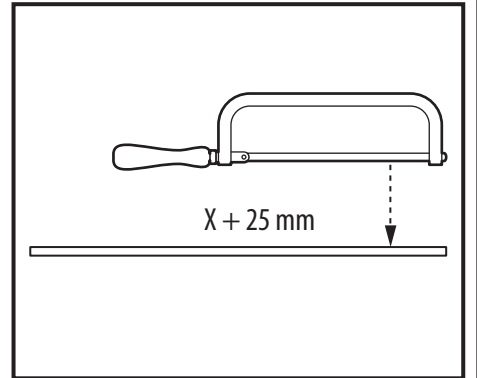
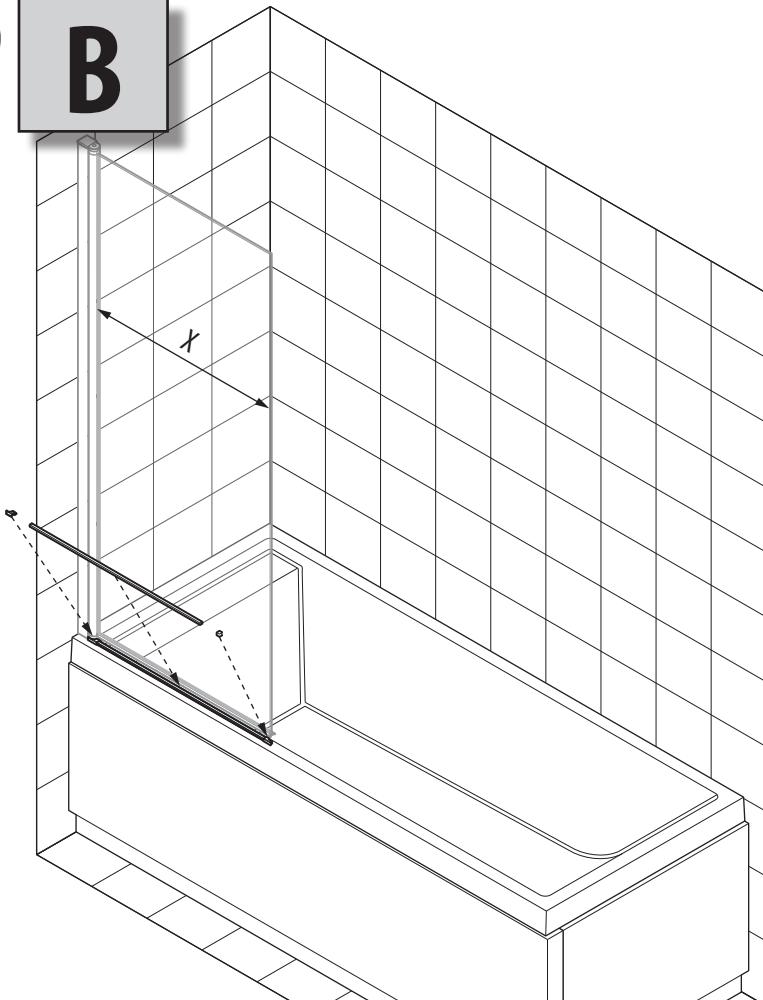


B



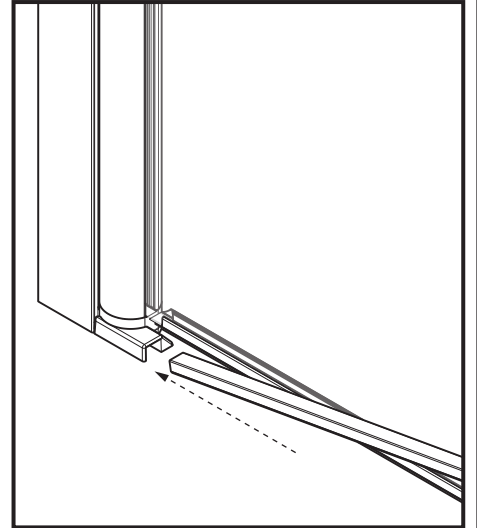
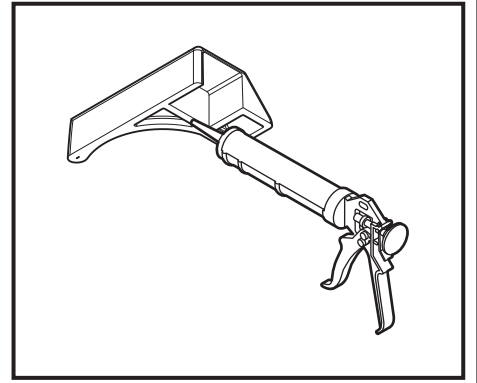
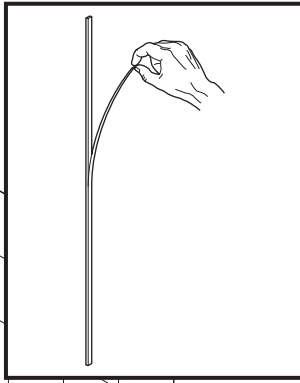
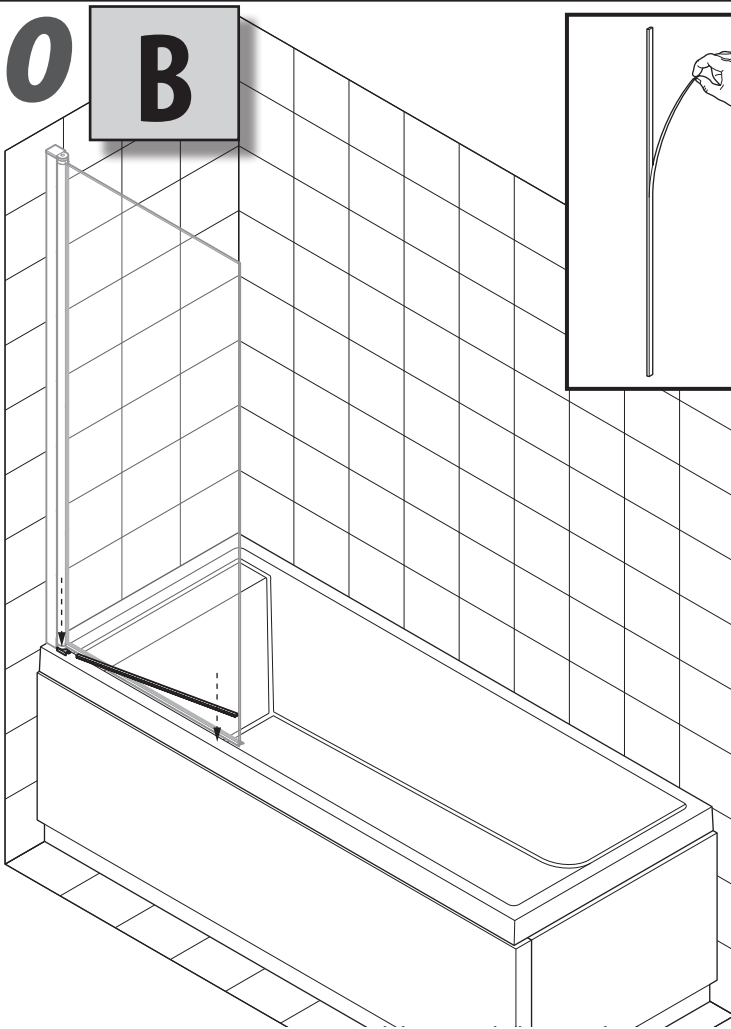
9

B



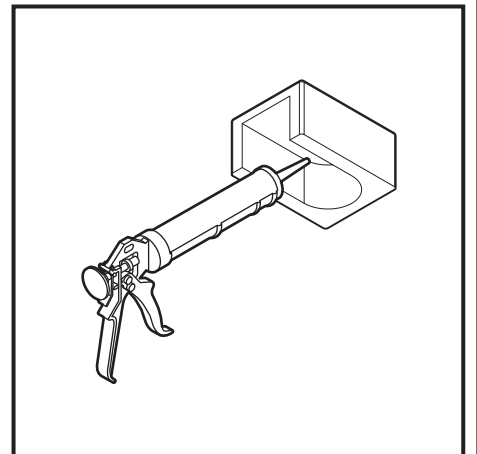
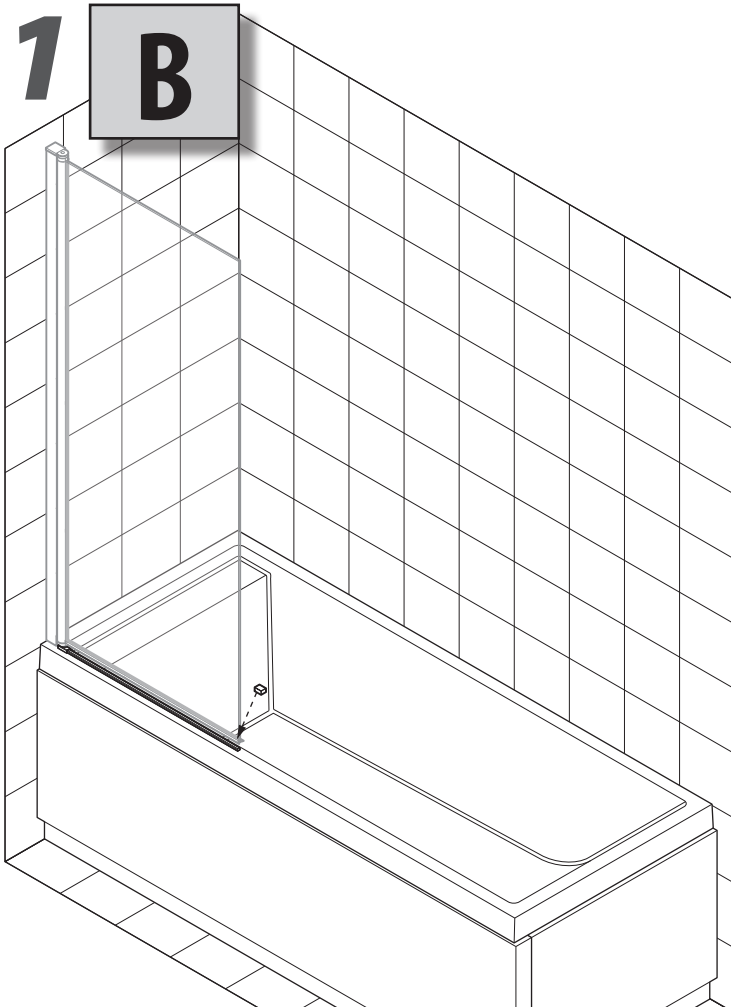
10

B

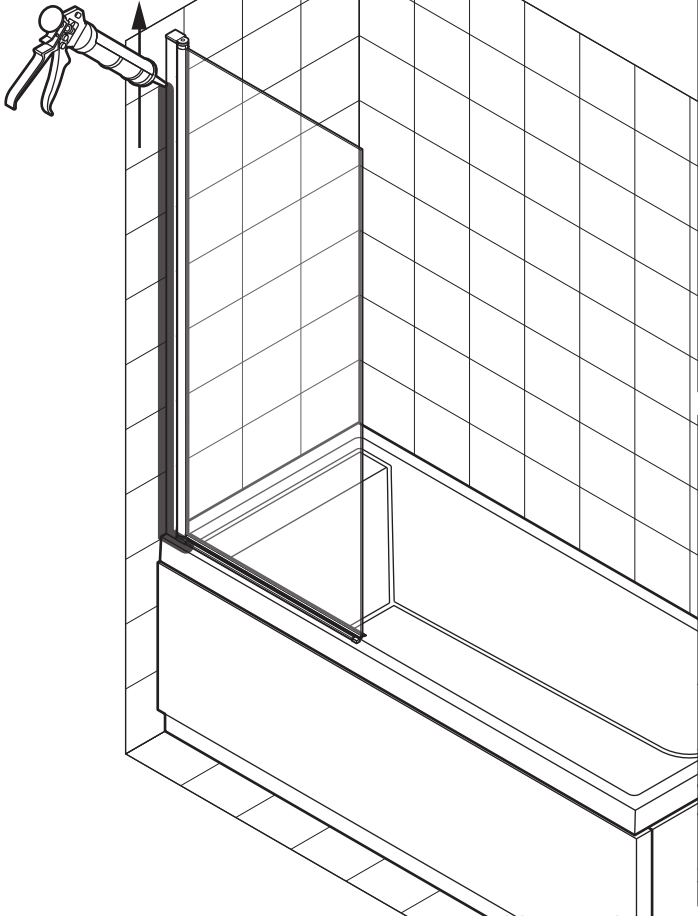


11

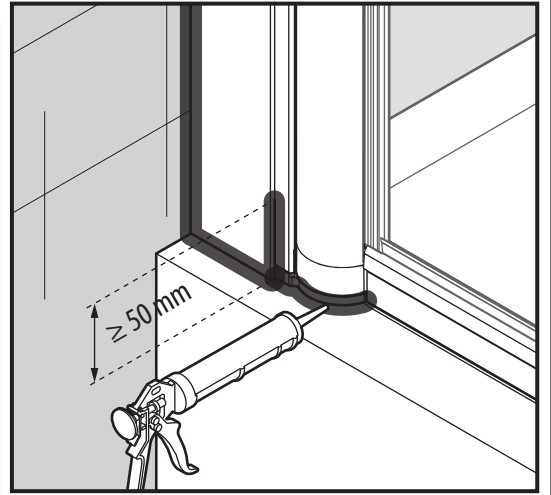
B



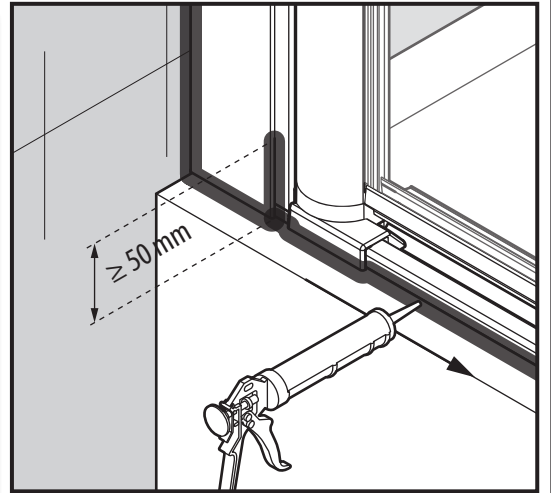
12



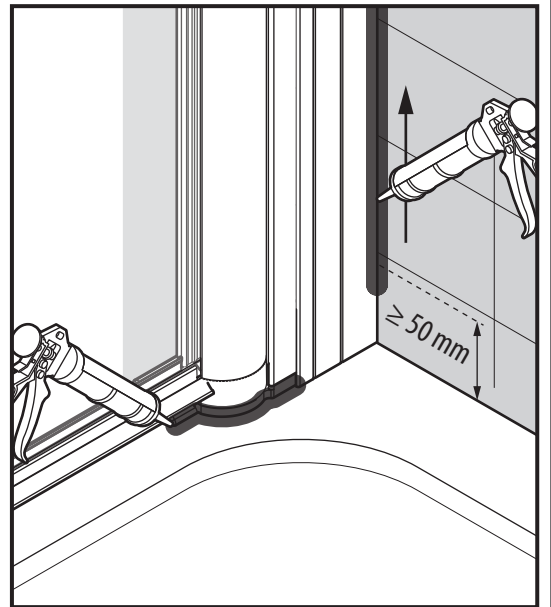
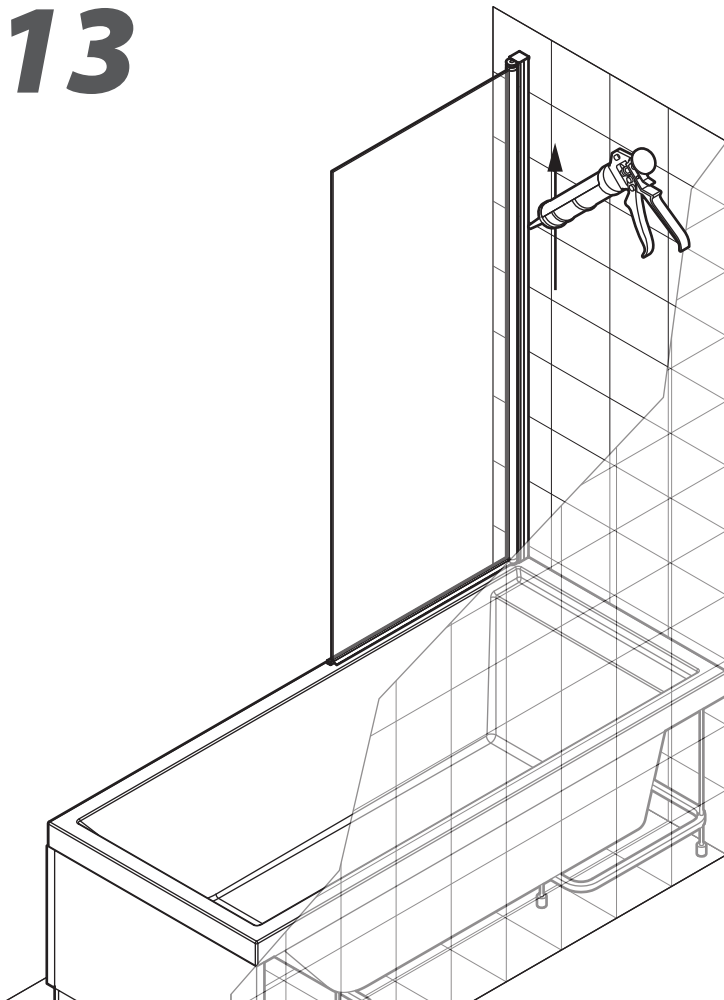
A



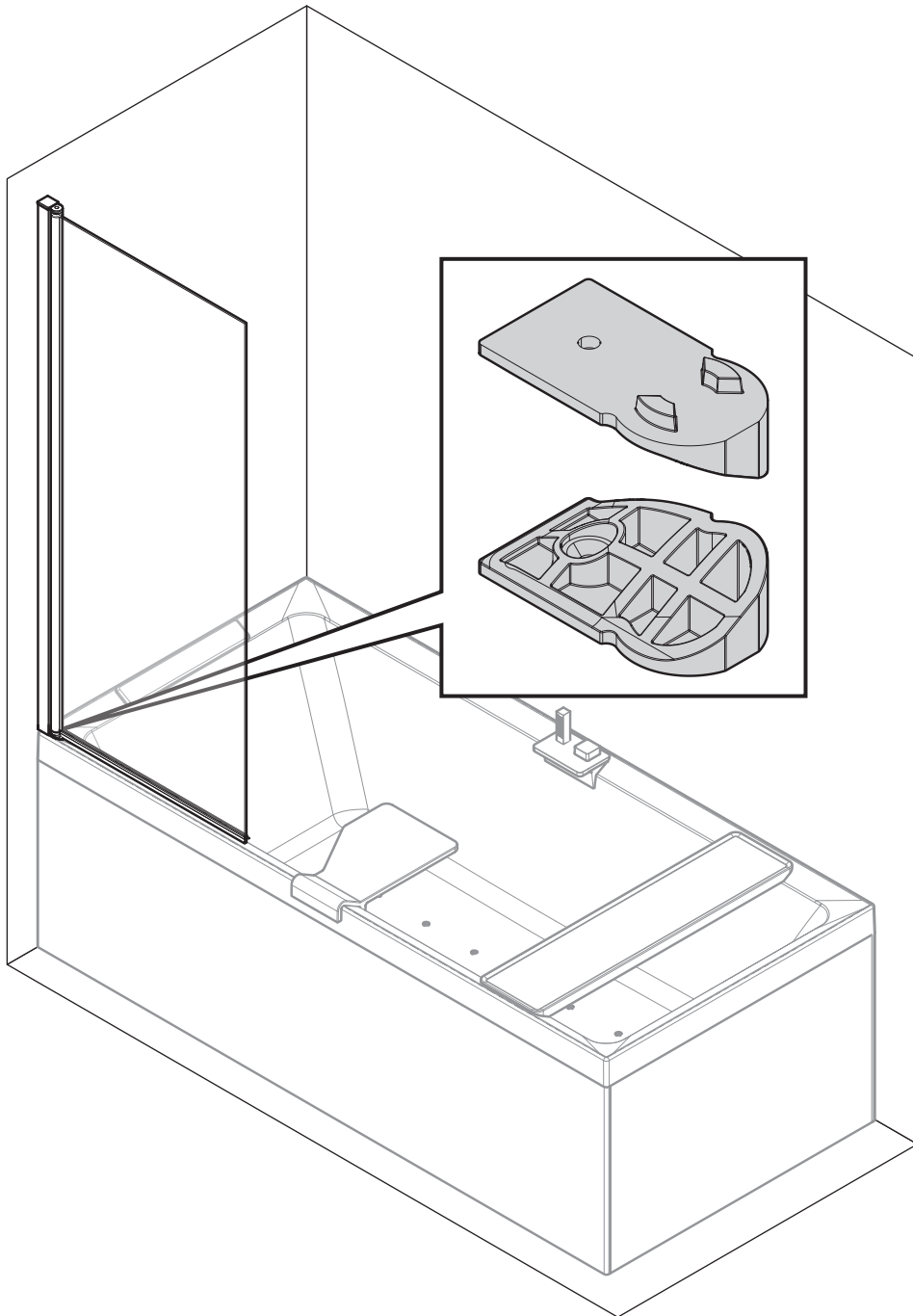
B

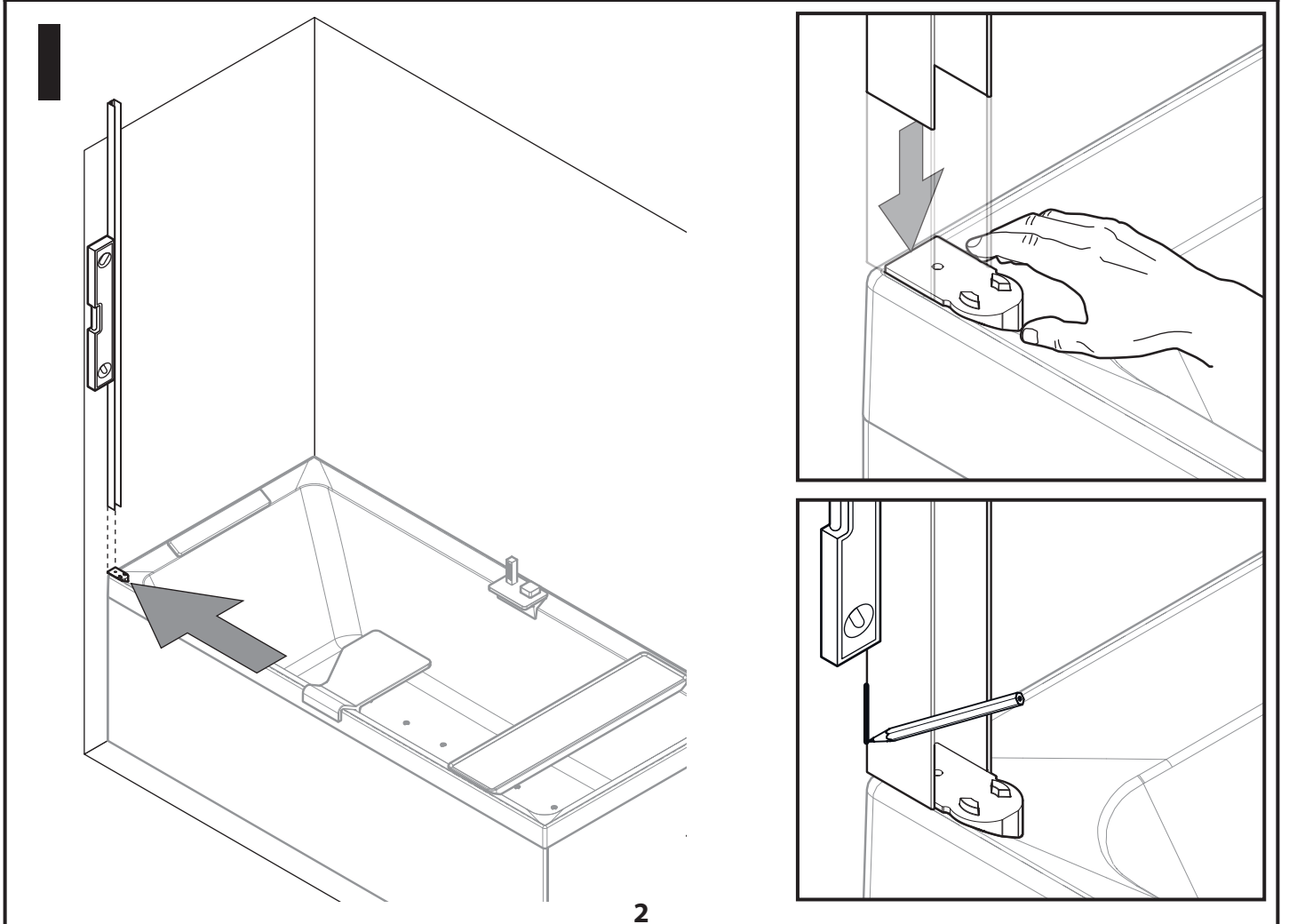
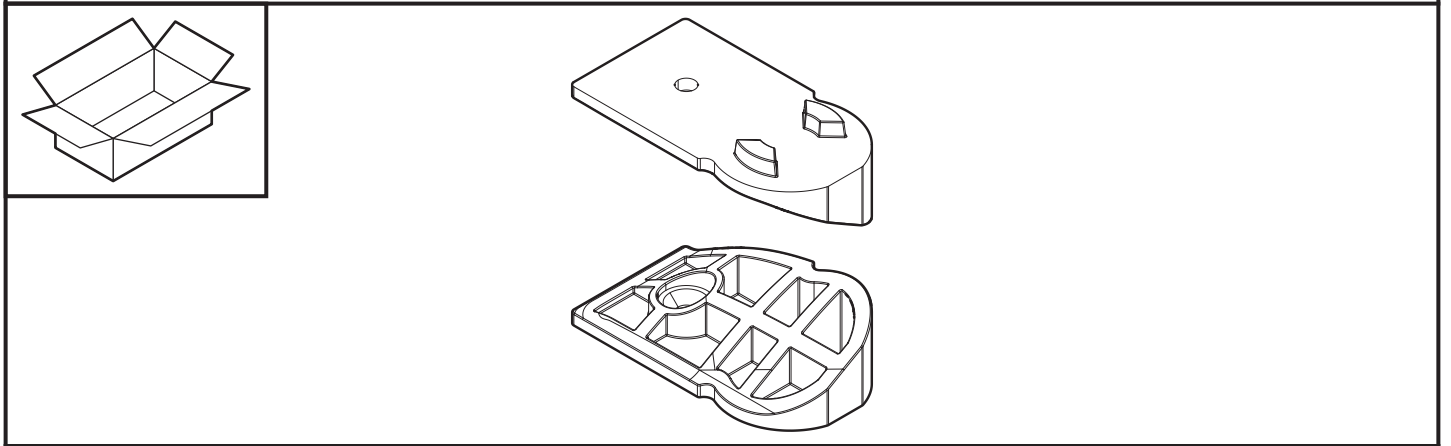
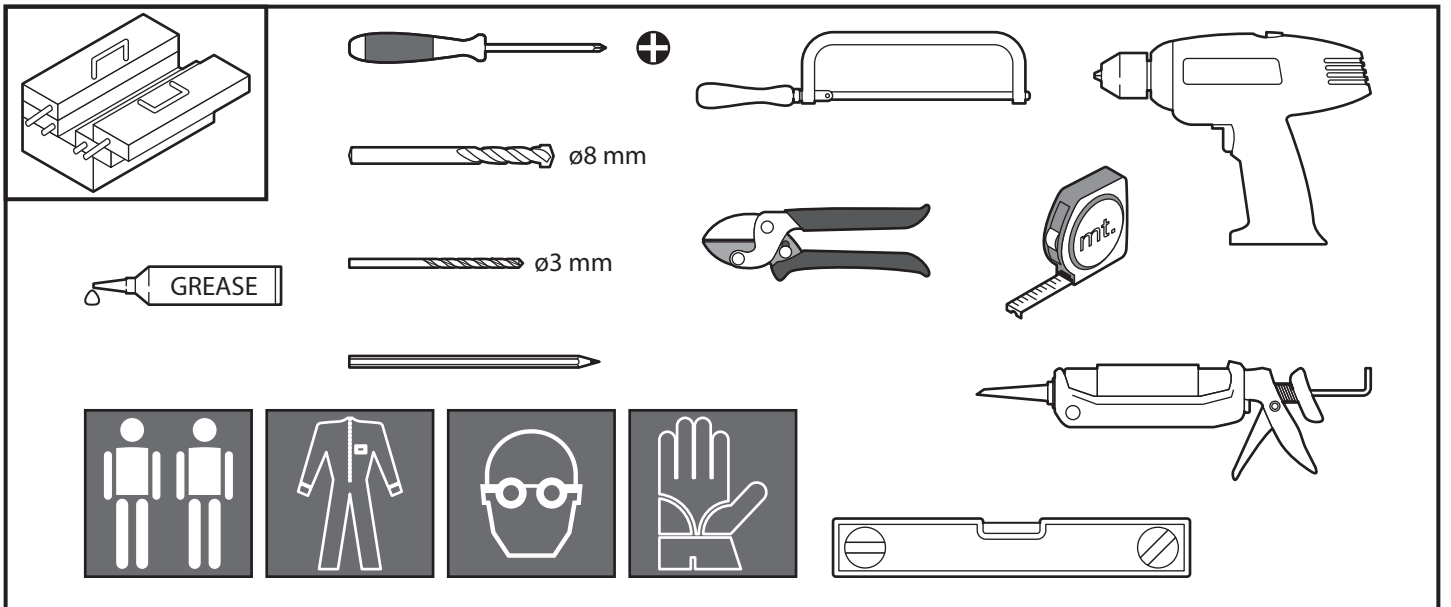


13

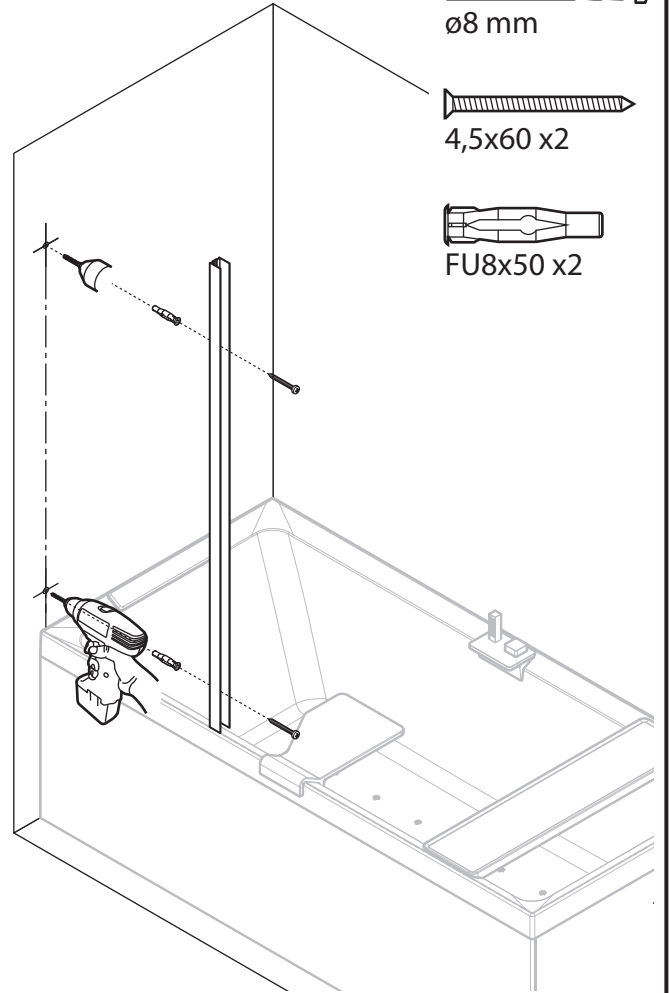
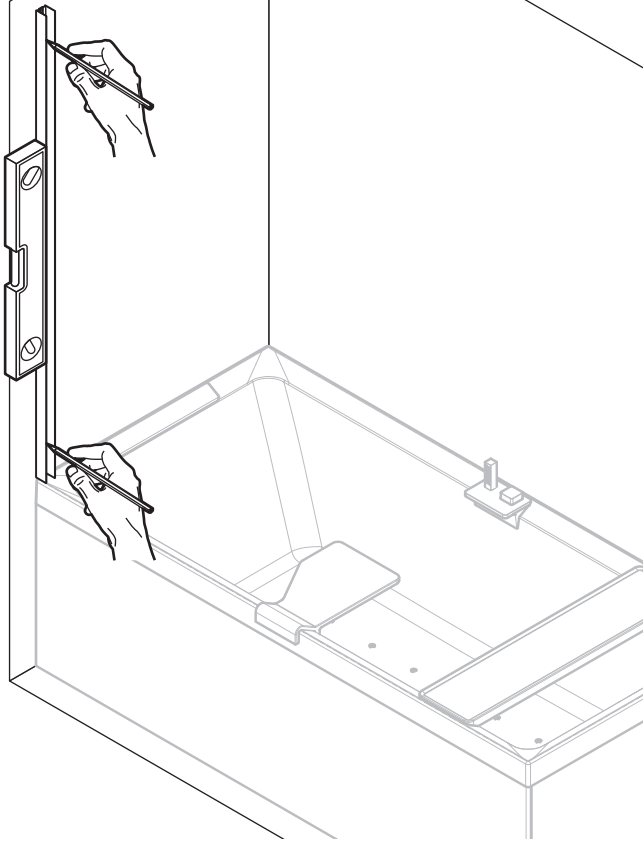


kit 1V





2



ø8 mm

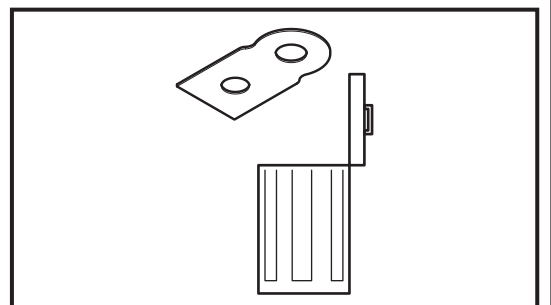
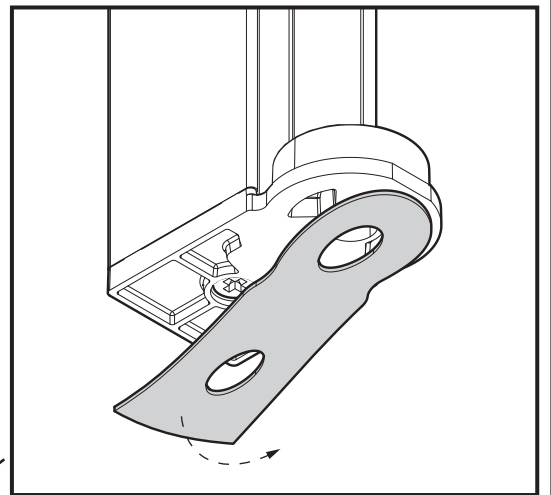


4,5x60 x2



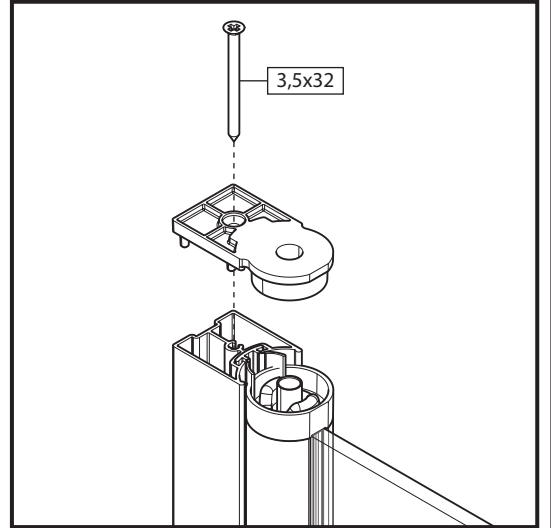
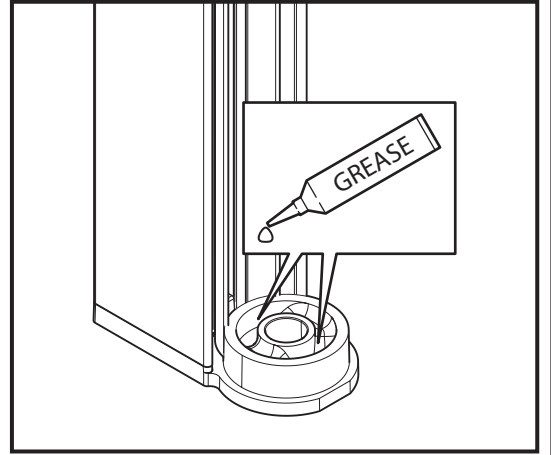
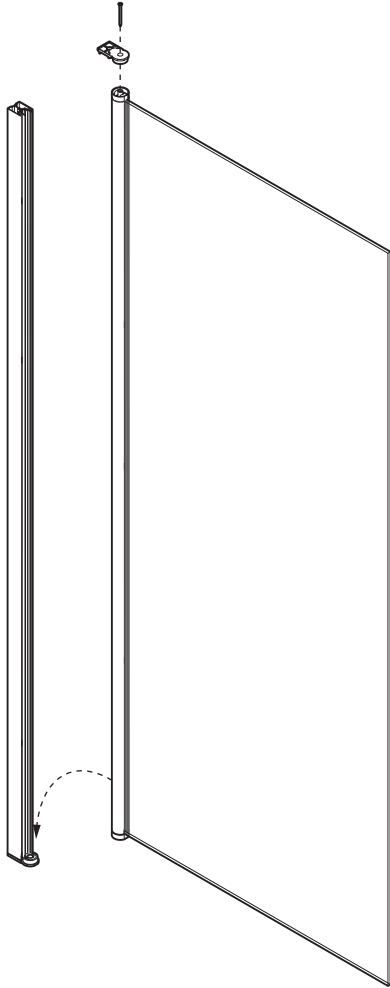
FU8x50 x2

3

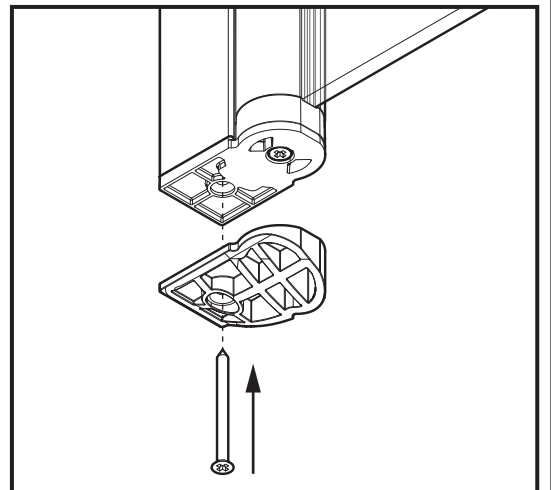
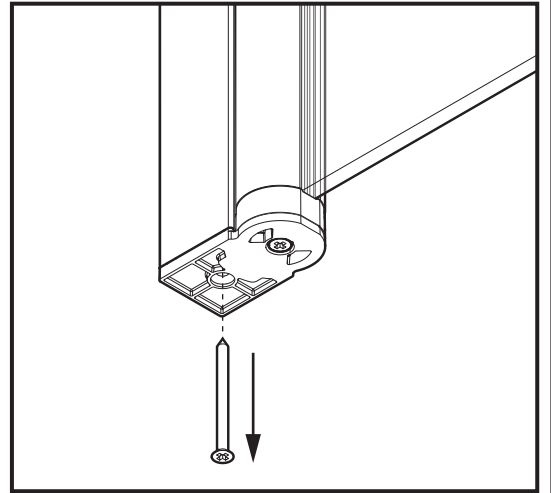
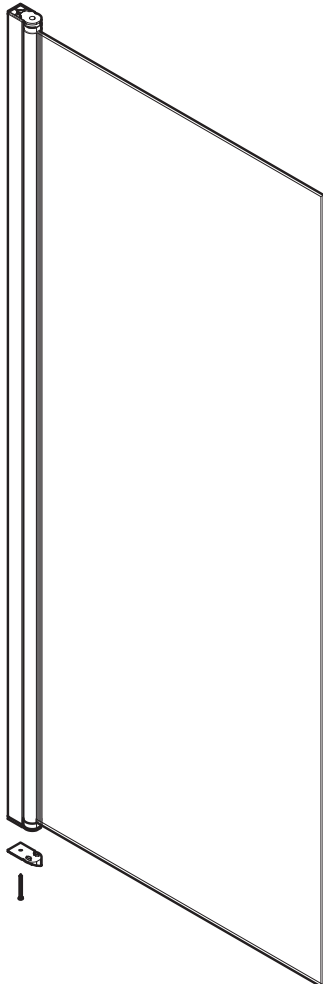


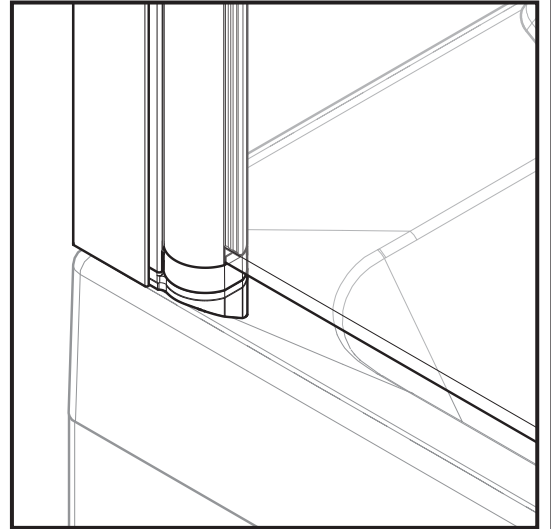
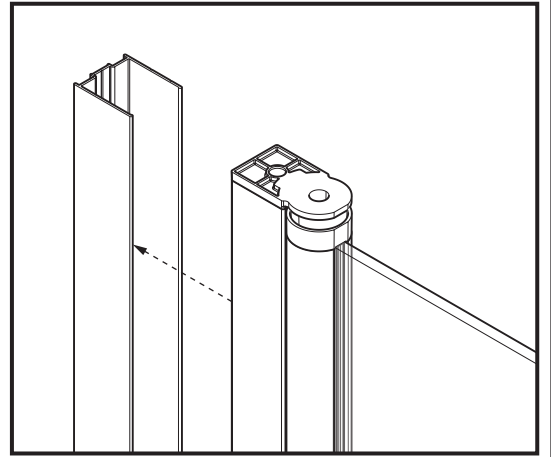
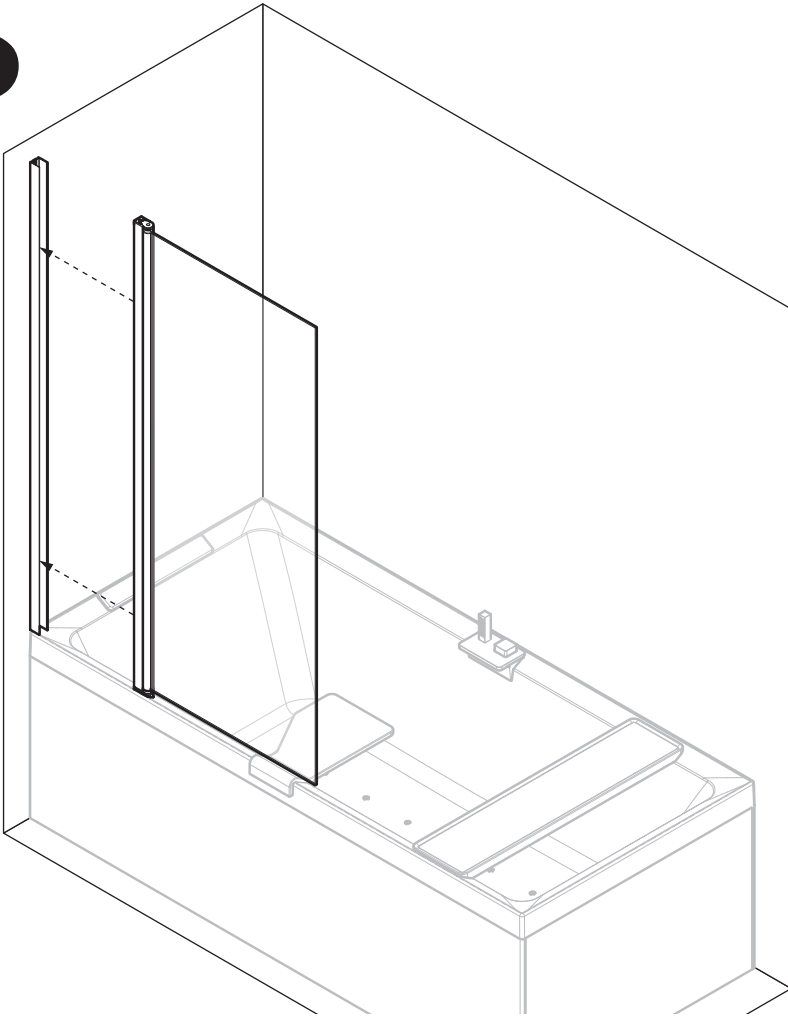
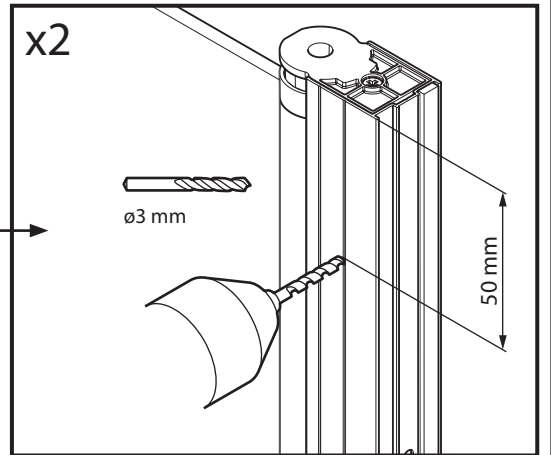
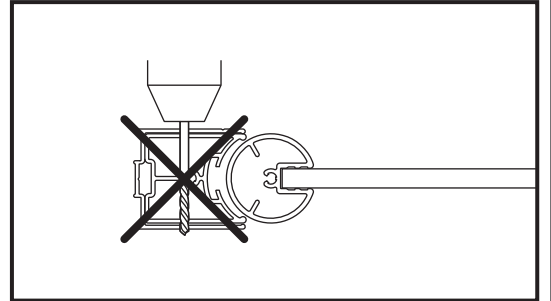
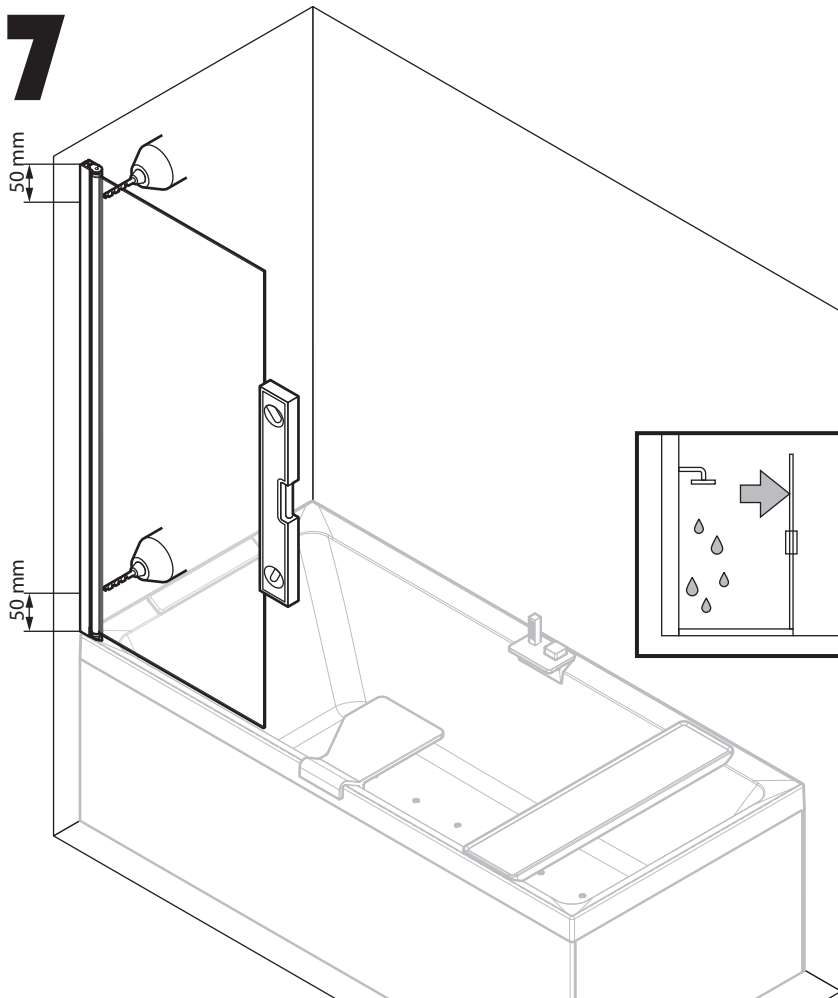
3

4

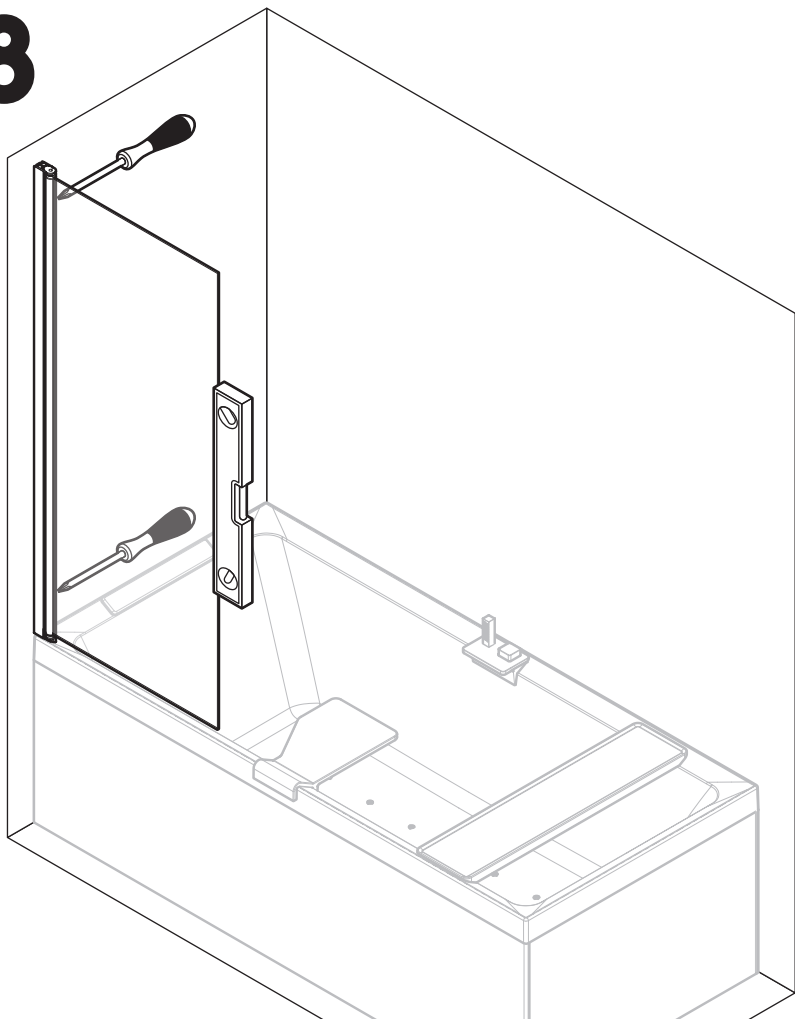


5



6**7**

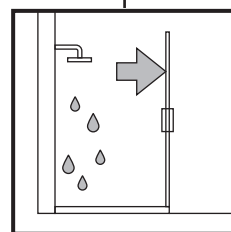
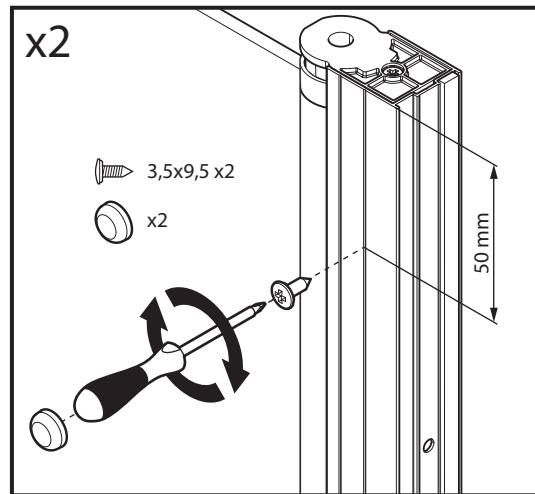
8



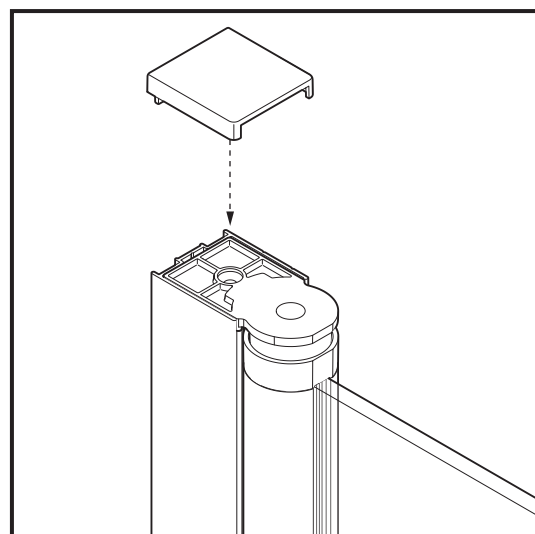
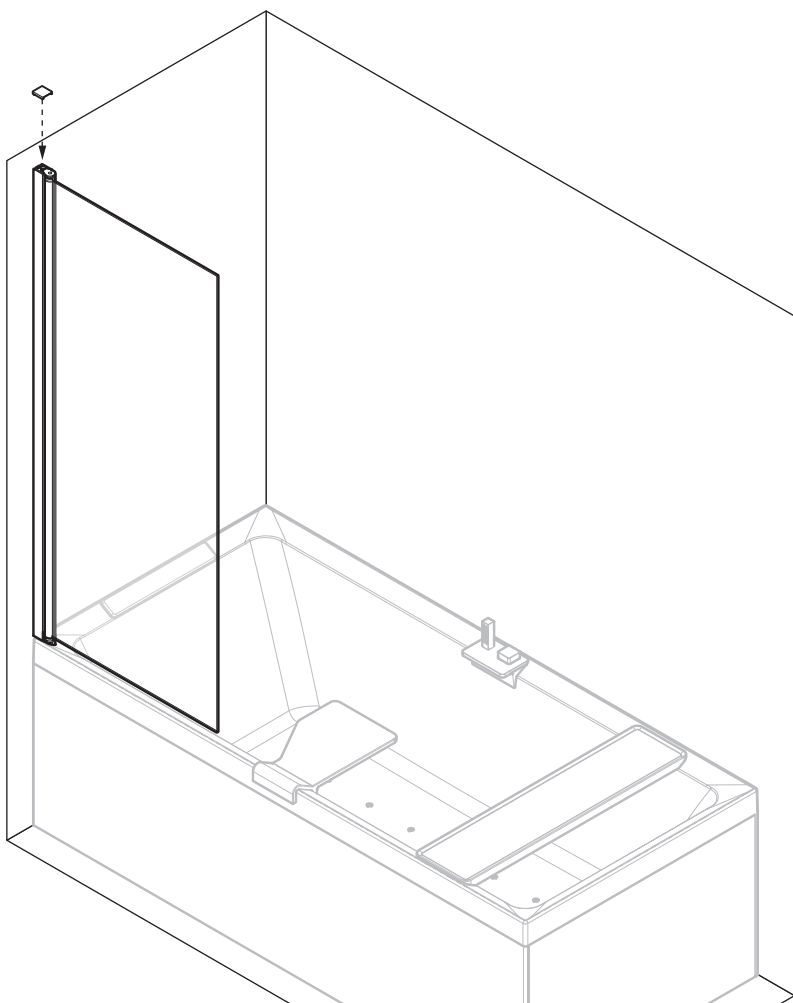
x2

3,5x9,5 x2

x2

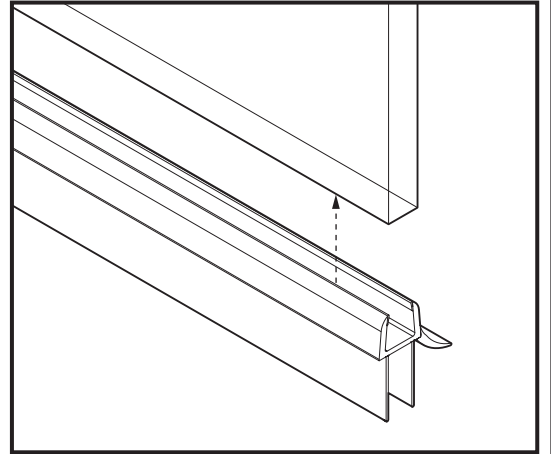
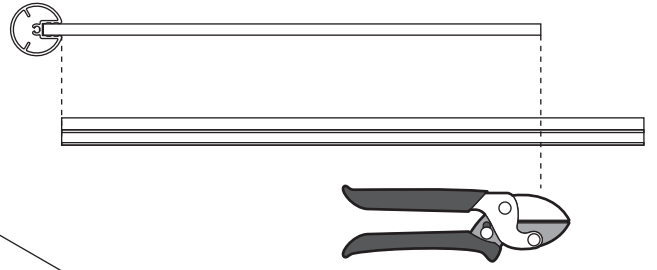
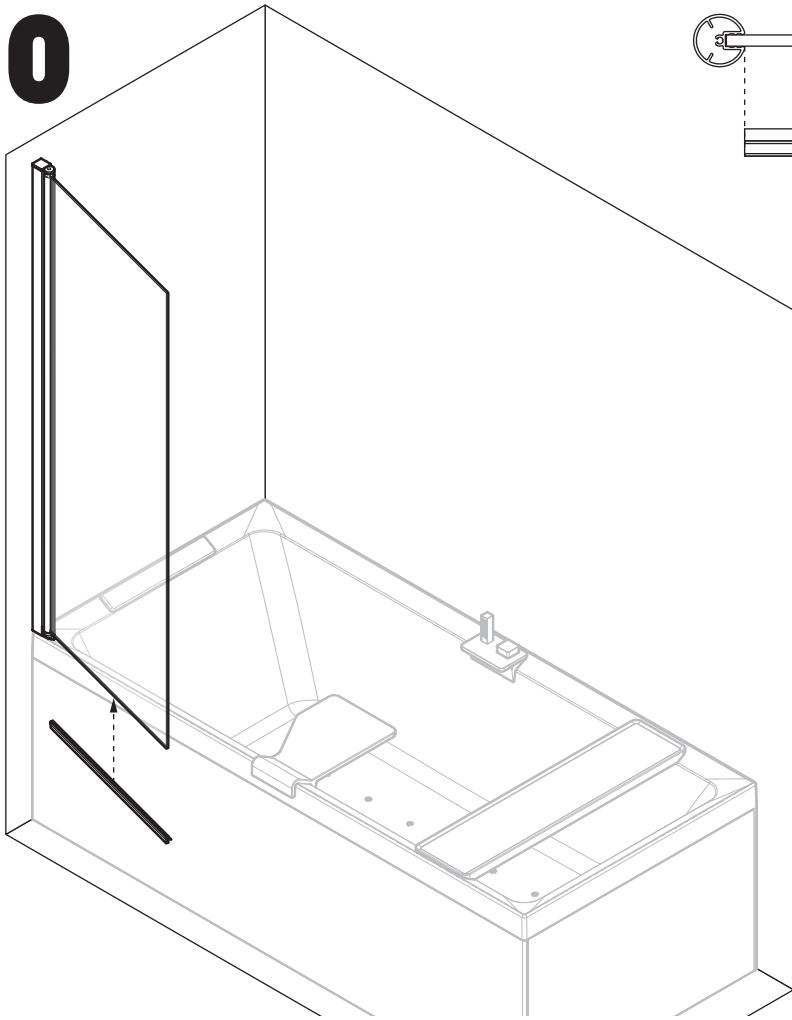


9



6

10



11

