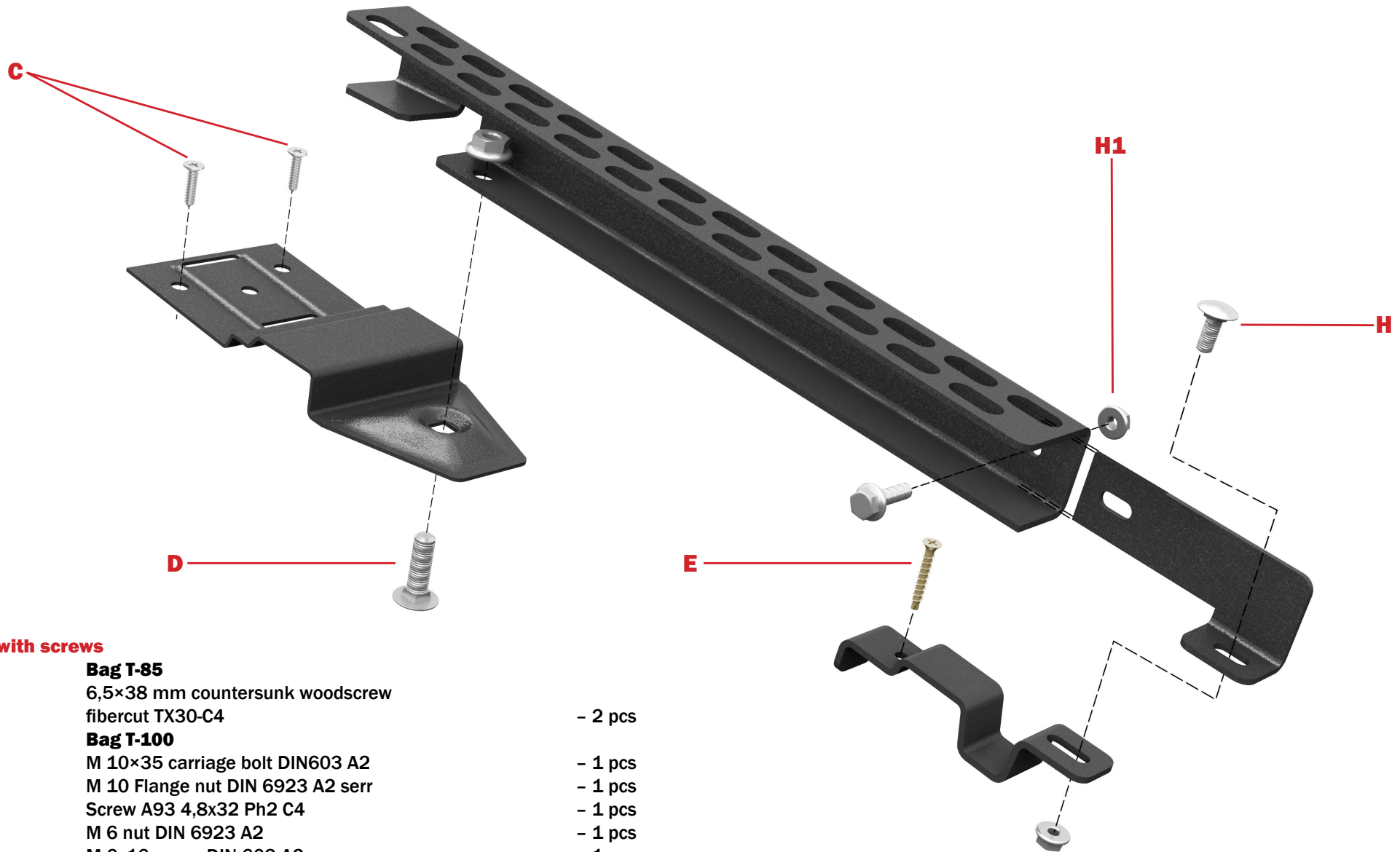
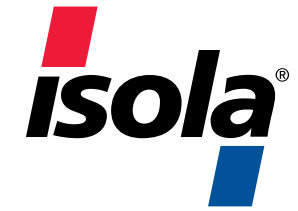


# Solar brackets / Solar-Trägerstütze

## Assembly instruction



### Bags with screws

- |           |   |                    |
|-----------|---|--------------------|
| <b>C</b>  | <b>Bag T-85</b><br>6,5×38 mm countersunk woodscrew<br>fibercut TX30-C4                  | - 2 pcs            |
| <b>D</b>  | <b>Bag T-100</b><br>M 10×35 carriage bolt DIN603 A2<br>M 10 Flange nut DIN 6923 A2 serr | - 1 pcs<br>- 1 pcs |
| <b>E</b>  | Screw A93 4,8x32 Ph2 C4   | - 1 pcs            |
| <b>H</b>  | M 6 nut DIN 6923 A2<br>M 6x16 screw DIN 603 A2  | - 1 pcs<br>- 1 pcs |
| <b>H1</b> | M 6 nut DIN 6923 A2<br>M 6x20 screw Din 6921 A2   | - 1 pcs<br>- 1 pcs |