

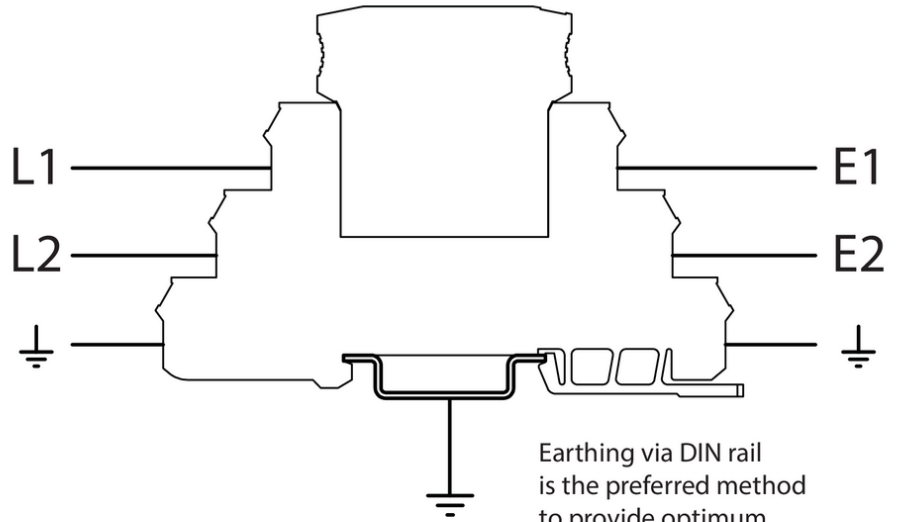
SSP6A-130-G



Install

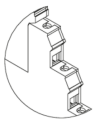

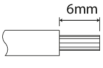
LINE

EQPT

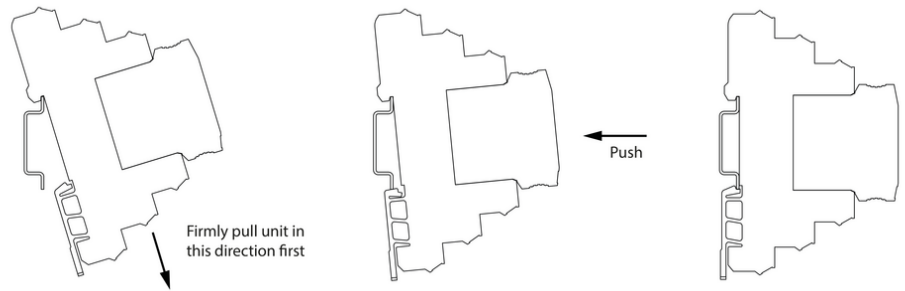


Earthing via DIN rail is the preferred method to provide optimum surge performance

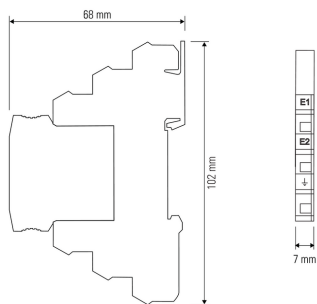
Terminal Information

Terminal Type	
min Capacity	0.5 mm ²
max Capacity	2.5 mm ²
Torque	0.5 Nm 
Wire Stripping Length	 6mm

Mounting



Dimension Information



Module Extraction

