

Product No: 3GBA352210-ADM

**ABB IE3 CAST IRON MOTOR 4P 250KW 400VD FOOT MOUNT B3
IP66 3GBA352210-ADM**



General Information

Brand	ABB
Product Type	General Performance Motors

Technical Attributes

Rated Power (kW)	250
Rated Voltage (V)	690Y/415D

Protection & Standards

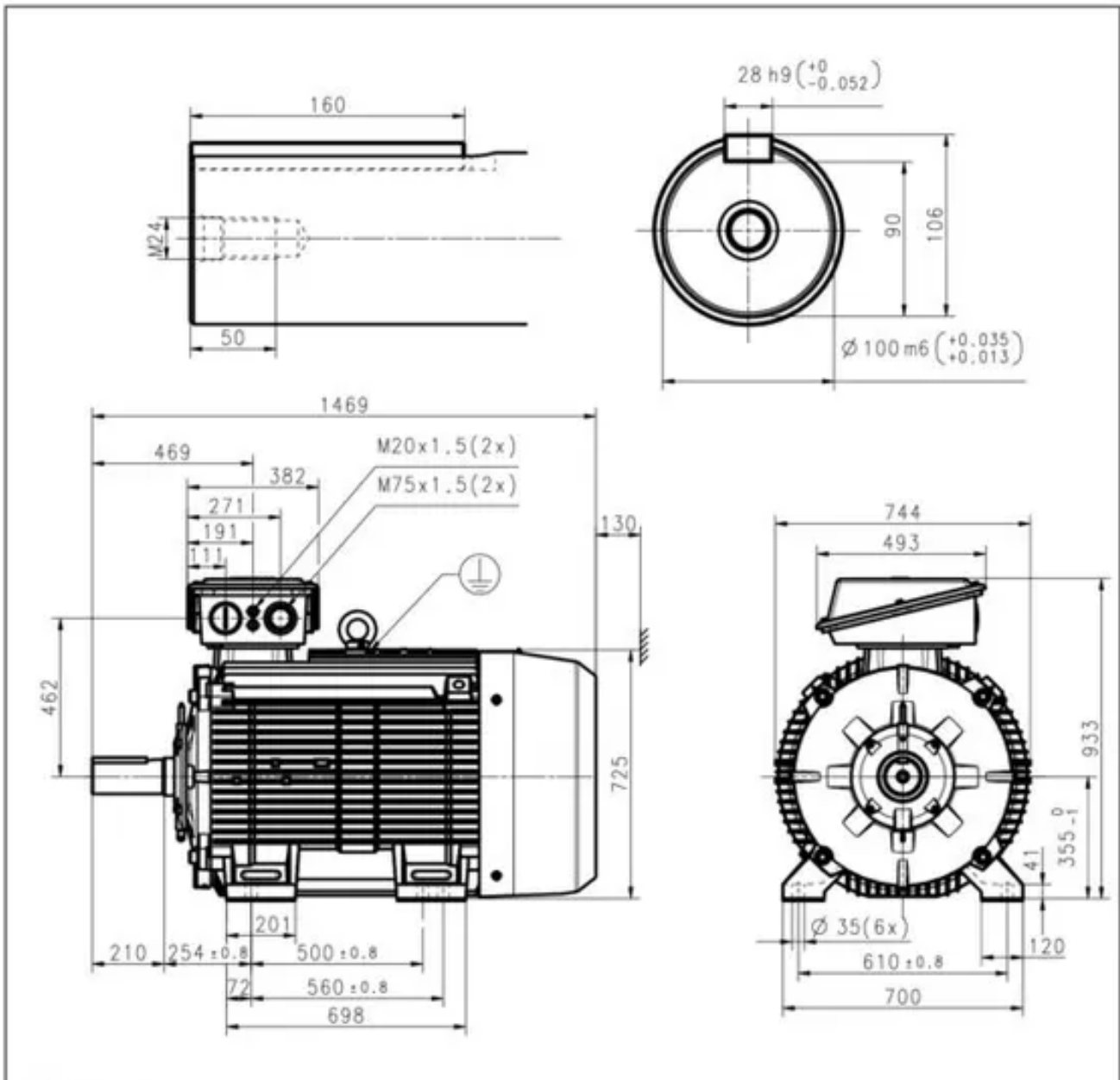
Degree of Protection	IP66
----------------------	------

Resources

Product catalogue (Flipbook)	Download from here
------------------------------	------------------------------------



TECHNICAL DRAWING



Additional information:

Dimension Print	Motor type:	M2BAX 355SM_4-8; B3, B6, B7, B8, V5, V6	Document No:	3GZCS00035-144 E

Description: STANDARD SQUIRREL CAGE MOTOR

Unit:	IEC LV Motors	Issued by:	Xu, Nandy-NanNan	Replaces:	
Date:	25-Jun-2014	Approved by:	Michael Zhang	Replaced by:	

ABB	Customer Reference:		