

Product No: 3GBA281260-ADF**ABB IE3 CAST IRON MOTOR 2P 75KW 400VD FOOT MOUNT B3
IP66 3GBA281260-ADF****General Information**

Brand	ABB
Product Type	General Performance Motors

Technical Attributes

No. of Phases	3
Power Factor	0.89
Rated Current (A)	129
Rated Frequency (Hz)	50
Rated Power (kW)	75
Rated Voltage AC (V)	400
Speed (RPM)	2971
Torque (Nm)	241

Dimensions

Weight (kg)	527 (Net)
-------------	-----------

Protection & Standards

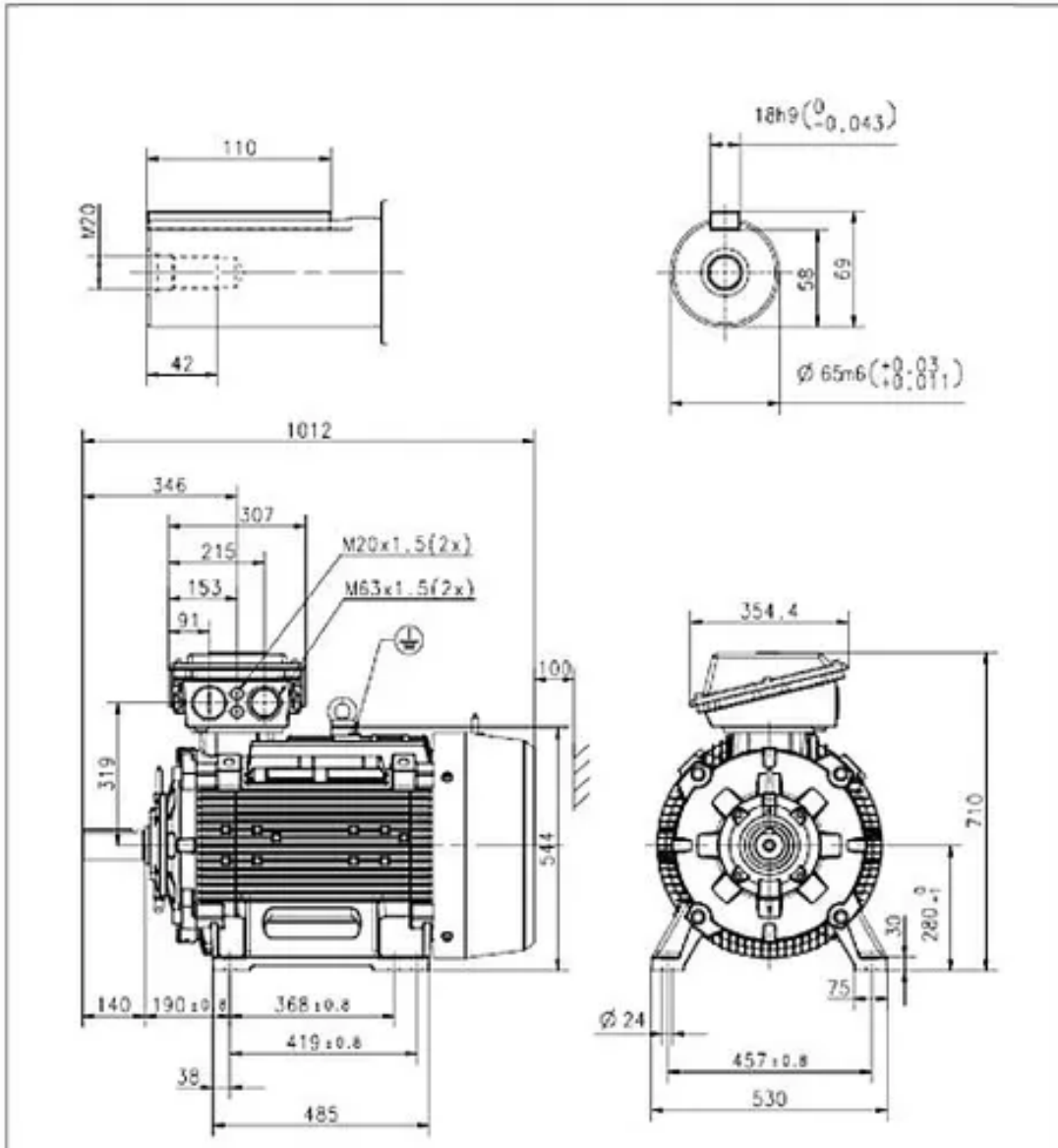
Degree of Protection	IP55
----------------------	------

Resources

Product catalogue (Flipbook)	Download from here
------------------------------	------------------------------------



TECHNICAL DRAWING



Additional information:		
Dimension Print	Motor Type:	Document No:
	IE2&IE1 M2BAX 280SMD/E_2 B3 V5 V6 B6 B7 B8. IE3 M2BAX 280SMF/G_2 B3 V5 V6 B6 B7 B8.	3GZC500028-194 C 13 BA 280 A
Description: STANDARD SQUIRREL CAGE MOTOR		
Unit: ABB Ltd., Motors and Generators	Issued by: Ethan Xu	Replaces:
Date: 2019-07-05	Approved by: Anna Feng	Replaced by:
ABB Ltd.	Customer Reference:	ABB