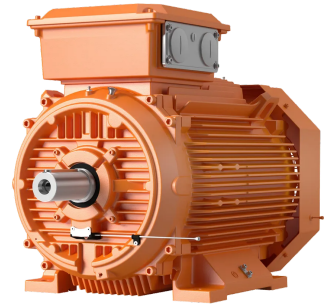


Product No: 3GBP312230-HDKM625

ABB IE3 CAST IRON MINING MOTOR 4P 110KW 400VD FOOT/BIG FLANGE B35 IP66 ORANGE 3GBP312230-HDKM625

FEATURES

- IE3 premium efficiency class according to IEC 60034-30-1; 2014
- Permanent grease lubrication
- 6 terminals for connection with cable lugs (not included)
- Copper stator winding
- Pressure die-cast aluminium rotor winding
- Closed key way, half-key balancing as standard
- Components cast from EN-GJL-200 and EN-GJL-250 grade material for extra strength
- Closable grease ejection port with handle located safely on side of motor



General Information

Brand	ABB
Product Type	Mining Motors

Technical Attributes

No. of Poles	4
Rated Frequency (Hz)	50
Rated Output Power (kW)	110
Rated Voltage (V)	415Δ/690Y
Speed (RPM)	1500

Physical Attributes

Colour	Orange
Mounting Type	Foot/Big Flange Mount B35

Dimensions

Dimensions (mm)	78W x 123H x 137D
Weight (kg)	1656

Protection & Standards

Degree of Protection

IP66

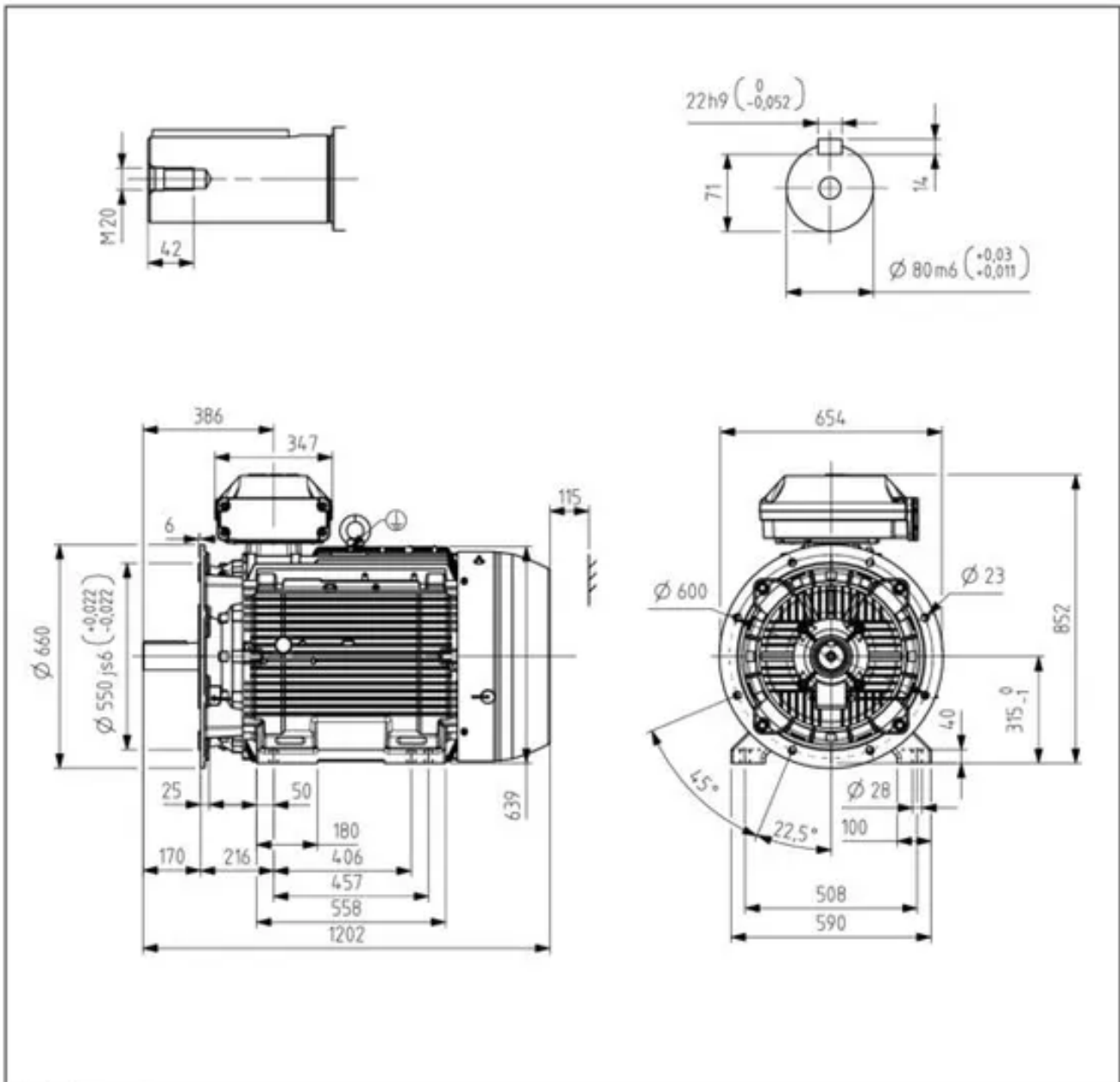
Resources

Product catalogue (Flipbook)

[Download from here](#)



TECHNICAL DRAWING



Additional information:

Dimension Print	Motor type: M3BP315 (G/K/L/M) SM_4-12; B35, V15, V35	Document No: 3GZF500031-3630 B
	M3GRHP315 SM_4-12; B35, V35	

Description:
STANDARD SQUIRREL CAGE MOTOR WITH TERMINAL BOX 370

Unit: IEC LV Motors Date: 30-Mar-2021	Issued by: Ketoja, Roope Approved by: Härmänmaa, Arttu	Replaces: Replaced by:
--	---	---------------------------

ABB	Customer Reference:	
------------	---------------------	--