

Product No: ZBK803P/E

TELERGON ZBK803P/E PLASTIC ENCLOSED LOAD BREAK SWITCH 80A 3P 18.5kW



General Information

Brand	TELERGON
Included	Handle
Product Type	Enclosed Load Break Switch
Series	ZBK

Technical Attributes

Backup fuse rating (A)	80
Conventional Free-Air Thermal Current - I _{th} (A)	80
Conventional Thermal Current - I _{the} (A)	80
No. of Poles	3P
Power Loss (W)	4.4/Pole
Rated Conditional Short-Circuit Current - I _{nc} (kA)	10
Rated Impulse Withstand Voltage (kV)	6
Rated Insulation Voltage (V)	690
Rated Operational Current AC-21A 415V (A)	80
Rated Operational Current AC-23A 415V (A)	45
Rated Operational Current DC-21A 110V (A)	63
Rated Operational Power AC-23B 415V (A)	22
Rated Operational Power AC-23B 690V (A)	18.5
Rated Operational Voltage (V)	690
Rated Short-time Withstand Current - I _{cw} (kA/1s)	0.85

Physical Attributes

Handle Material Plastic

Dimensions

Cable Cross Section (mm²) 16

Protection & Standards

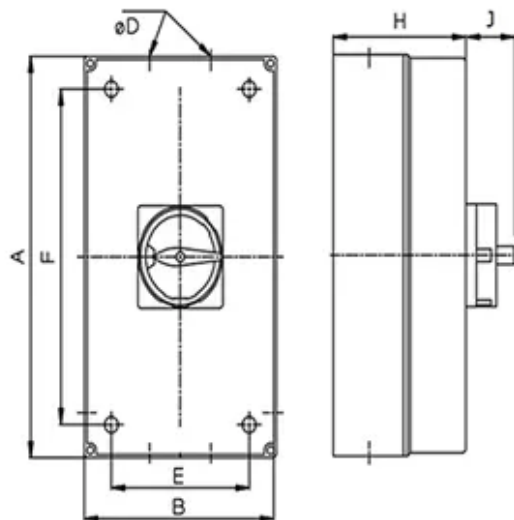
Degree of Protection IP65

Degree of Protection - Handle IP65

Resources

Product catalogue (Flipbook) [Download from here](#)

DIMENSIONS



A	B	D	E	F	H	J
200	120	40/32/16/12	90	188	86	36

WIRING DIAGRAM

DC Connections

