

## TELERGON ZBK803P/E PLASTIC ENCLOSED LOAD BREAK SWITCH 80A 3P 18.5kW

ZBK803P/E



### GENERAL INFORMATION

Brand	TELERGON
Product Type	Enclosed
Series	ZBK

### TECHNICAL ATTRIBUTES

Backup fuse rating (A)	80
Conventional Free-Air Thermal Current - I <sub>th</sub> (A)	80
Conventional Thermal Current - I <sub>the</sub> (A)	80
No. of Poles	3P
Power Loss (W)	4.4/Pole
Rated Conditional Short-Circuit Current - I <sub>nc</sub> (kA)	10
Rated Impulse Withstand Voltage (kV)	6
Rated Insulation Voltage (V)	690
Rated Operational Current AC-21A 415V (A)	80
Rated Operational Current AC-23A 415V (A)	45
Rated Operational Current DC-21A 110V (A)	63
Rated Operational Power AC-23B 415V (A)	22
Rated Operational Power AC-23B 690V (A)	18.5
Rated Operational Voltage (V)	690
Rated Short-time Withstand Current - I <sub>cw</sub> (kA/1s)	0.85

**PHYSICAL ATTRIBUTES**

Handle Material	Plastic
Included	Handle

**DIMENSIONS**

Cable Cross Section (mm <sup>2</sup> )	16
--	----

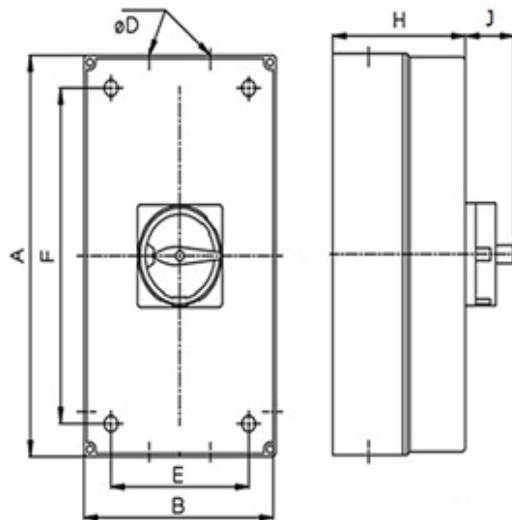
**PROTECTION & STANDARDS**

Degree of Protection	IP65
Degree of Protection - Handle	IP65

**RESOURCES**

Product catalogue (Flipbook)	<a href="#">Download from here</a>
------------------------------	------------------------------------

**DIMENSIONS**



A	B	D	E	F	H	J
200	120	40/32/16/12	90	188	86	36

## WIRING DIAGRAM

### DC Connections

